



# REMKE

CONNECTING POSSIBILITIES

MASTER CATALOG 81 | [WWW.REMKE.COM](http://WWW.REMKE.COM)

# Bringing You Industrial-Strength Electrical Connectors with Personalized Service, Order Flexibility & Custom Solutions

## This is Why You Should Partner with Remke.

Remke has been manufacturing electrical connectors in Chicago for over 50 years. Our only mission is to deliver industrial-strength cord connectors, wire mesh grips and molded connectors to our customers. This is the only thing we do all day, every day and this focus has created one of the largest and most diverse lines of electrical connectors available today.....literally we have thousands of electrical connectors to choose from.

Being in business for over 50 years has given Remke the opportunity to build a lot of long term relationships with our customers, distributors and reps -- for which we are truly thankful. But when your company isn't as big as the 'other guys' ..... well, in all honesty, you need to find other ways to stand out from the competition. So for awhile now we've been talking to folks, asking questions, doing a lot of listening and taking their feedback to heart to help us answer the question ***What sets Remke apart from others?***

## Focus. Depth. Flexibility. Service.

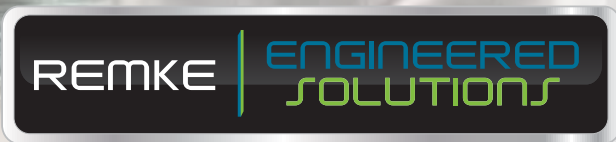
- Sole Focus on Connectors
- Depth of Line - standard products in stock, unique & hard-to-find connectors
- Flexibility - proprietary engineered solutions, product modifications & adaptations, custom packaging, kitting and private labeling
- Service - low minimums, free design assistance, rush orders & short order turnaround times, customized products and real people always available on the phone to help

Add to that .... Made in America. This is important to us. It isn't a slogan – it's why at least 95% of our products are manufactured in our Illinois facility. We're keeping the jobs in the USA and we're shipping product to you from Chicago – not somewhere overseas.

## The Bottom Line?

- At Remke customers are not just an account number - they are people we go the extra mile for.
- At Remke you get humans on demand - we're not some big, impersonal conglomerate. We're a mid-sized company that's big enough to get the job done but small enough to take your business personally.
- At Remke we embrace a code of ethics. Fair, honest, competitive prices and quality products that provide value for your money.





When the product you need doesn't exist in the standard line talk to us...

**Remke Engineered Solutions**

Remke Engineered Solutions is entirely focused on meeting the needs of a single customer. Developing application-specific solutions that meet your precise needs is Job 1 and no order is 'too small'. Think of our broad spectrum of services like a sliding scale...from simple on the left to complex on the right --- from specials on the left to adaptations & variations in the middle to full-scale engineered custom products on the right. Wherever your specific need falls on that spectrum will be the Remke Engineered Solution that is right for your application.

**All customers receive:**

- Free product design assistance
- Rapid Prototyping
- Design, engineering & manufacturing in the USA
- Quick turnaround in as little as days (based on complexity)
- Versatile & innovative solutions
- Small or large volume manufacturing for any product we design
- 100% product testing
- Compliance Certification – UL, CSA, TUV, CE, etc. (where applicable)



# TABLE OF CONTENTS



**American-Made Electrical Connectors Offer Fast Installation and More Secure Connections**

**Remke Cable Connectors & Cord Grips**

For 50 years Remke Industries has been manufacturing one of the largest & most diverse lines of cable connectors and cord grips at our suburban Chicago facility. Our Tuff-Seal™ products provide the cable strain relief and strong seal against the environment that you need. In-stock and ready to ship, Remke cord grips are ideally suited for use as either part of your plant infrastructure or as part of the equipment your company sells.

<b>TUFF-SEAL PRODUCTS</b>	<b>Page 2</b>
:: Markets Served	Page 3
:: Product Line Overview	Page 4
:: Engineered Solutions	Page 6
:: Specs and Ordering Info	Page 10-74

<b>CROSS REFERENCE</b>	<b>Page 189</b>
<b>ALPHA-NUMERIC INDEX</b>	<b>Page 211</b>



**Lower Costs - Improve Productivity - Eliminate Downtime**

**Remke Molded Connectors & Cordsets**

The Remke line of Tuff-Link™ Molded Connectors & Cordsets offer exactly what's required in performance and reliability. Made in the USA, our molded connectors meet the standards you need for use with sensors and control devices to provide easier initial installations & quick component replacement in all types of industrial applications.

<b>TUFF-LINK PRODUCTS</b>	<b>Page 76</b>
:: Markets Served	Page 77
:: Product Line Overview	Page 78
:: Engineered Solutions	Page 80
:: Specs and Ordering Info	Page 83-188

<b>CROSS REFERENCE</b>	<b>Page 189</b>
<b>ALPHA-NUMERIC INDEX</b>	<b>Page 211</b>



# Remke Electrical Cable Connectors & Cord Grips

Industrial-Strength Cable Connectors and Cord Grips for Heavy-Duty Applications in Any Environment

## Largest & Most Diverse...

With one of the largest and most diverse lines of cable connectors and cord grips, Remke Industries has been focused on manufacturing top-quality electrical connectors, all made in the USA for over 50 years. No matter your requirements, environment or application, we have you covered with a vast inventory of connectors ready to ship to OEMs, contractors and distributors all over the country. And if your specifications call for custom engineered connectors, we can manufacture them for you! Small and large run, custom engineered solutions are the answer to demanding electrical connection applications. Remke delivers industrial-strength electrical connectors with personalized service, order flexibility and custom solutions.

## Environmental Protection From Harsh Environments

Remke's line of industrial-strength cord grips and cable connectors deliver the best materials and construction to protect important electrical connections from destructive elements. Gain long-term reliability and stability with the right connectors from Remke.

## The Remke family of Cord Grips, Cable Connectors & Wire Mesh Grips

Do you know that Remke offers more types of cord grips than the 'big name' electrical manufacturers? It's true. Our family of standard Tuff-Seal™ products comes in more sizes & variations than those other guys including:

- Strain Relief Cable Connectors
- Nickel-Plated Aluminum Cord Grips
- Valox® Cord Grips
- Nylon Cord Grips
- Stainless Steel Cord Grips
- Dome Cap Cable Glands
- PowR-Teck™ Metal Clad Cable Connectors
- Multiple Hole Bushings/Cord Grips
- Waterproof Cable Connectors
- Corrosion Resistant Cord Grips
- Festoon/Flat Cable Connectors
- Lighting Connectors
- Wire Mesh Grips including standard support grips, lace closing support grips, rod closing support grips, I grips, wide range strain relief grips, bus drop grips, junior & light duty pulling grips.



### Meeting the Needs of A Single Customer

With our expansive component inventory Remke can create more configurations & combinations than anybody else. Engineered solutions are available to all customers with no additional fees! When the product you need doesn't exist in the standard line talk to us ..... **The Remke Engineered Solutions team.**



### Why Choose Remke?

When you choose Remke you say goodbye to logistical nightmares like delivery times and product quality from offshore producers. Made-in-the-USA means we're literally/physically closer to you so that cable connectors & cord grips can be delivered when you need them.

# Markets Served...

Tuff-Seal™ Cable Connectors & Cord Grips from Remke Industries are used in a wide variety of industrial & commercial markets. To assist you in determining which products are best suited for your application, we have subdivided this matrix into products for General Industry (such as automation and OEM's) and products for Corrosion Resistant markets such as food processing & petrochemical.

GENERAL INDUSTRY									
Remke Product	Construction	Automation	Material Handling	Orig. Equipment Manufacturer	Main. Repair Operations	Utility	Transportation	Lighting	Renewable Energy
<b>Tuff-Seal Cord Connectors and Wire Mesh Grips</b>									
Aluminum Cord Grips	■	■	■	■	■	■	■	■	■
Nickel-Plated Aluminum Cord Grips		■	■	■		■	■		
Valox Cord Grips		■		■	■				
Nylon Cord Grips		■	■	■	■			■	■
Steel Cord Grips		■	■	■	■		■	■	■
Stainless Steel Cord Grips	■	■	■	■	■	■	■	■	
Dome Cap Cable Glands		■	■	■	■	■	■	■	■
Metal Clad Cable Connectors	■	■		■	■	■			
Festoon Cable Connectors	■	■	■	■	■				
Liqua-Seal Connectors	■	■	■	■	■	■	■		
Stainless Steel Liquidtight Connectors	■	■	■	■	■	■	■	■	■
Wire Mesh Grips	■	■	■	■	■	■	■		■
CORROSION RESISTANT									
Remke Product	Food Processing	Wastewater Treatment	Petro Chemical	Marine / Shipboard	Pulp & Paper				
<b>Tuff-Seal Cord Connectors and Wire Mesh Grips</b>									
Aluminum Cord Grips									■
Nickel-Plated Aluminum Cord Grips	■		■		■		■		■
Valox Cord Grips	■		■		■		■		■
Nylon Cord Grips			■				■		■
Steel Cord Grips					■				■
Stainless Steel Cord Grips	■		■		■		■		■
Dome Cap Cable Glands	■		■		■		■		■
Metal Clad Cable Connectors			■						■
Festoon Cable Connectors							■		
Liqua-Seal Connectors					■				■
Stainless Steel Liquidtight Connectors	■		■		■		■		■
Wire Mesh Grips			■		■				■



# Tuff-Seal™ Cord Connectors, Cable Glands and Wire Mesh Grips



## RSR ALUMINUM CORD GRIPS

Tuff-Seal™ RSR Aluminum Cord Grips are UL Listed and CSA Certified for use in both indoor and outdoor applications to prevent cable pullout, to control arc of bend, and to provide a tight seal against environmental elements such as dirt, moisture and coolants. Cord Grips are available in conduit sizes from 1/4" to 3" in straight, 90° and 45° styles with optional stainless steel wire mesh.

### Features of the RSR Aluminum Cord Grips include:

- Available in NPT, Pg/Metric or ISO threads
- A unique design with a combination tightening surface that includes both a hex area and knurled surface providing extra gripping for initial hand tightening
- Optional embedded Viton® O-Ring ensures a watertight & corrosion-resistant seal
- Anti-friction washer that fits between the nut and bushing for easier compression

For applications with severe conditions – such as oil & gas, marine, food and chemical processing – RSR Cord Grips are available in nickel-plated aluminum which provides exceptional corrosion resistance and high wear resistance with an attractive finish similar to polished stainless steel.

Engineered Solutions for the family of RSR Aluminum Cord Grips can include high temperature bushings as well as unique thread styles & lengths.



**MADE IN  
USA**



## WIRE MESH GRIPS

Tuff-Seal Wire Mesh Cable Grips distribute stress over a large area to prevent damage to wire, cable and flexible conduit. They are built to perform their task over an extended period of time without loosening their hold. All Remke Wire Mesh Grips are available in a wide selection of cable ranges and eye styles and can be used in conjunction with any RSR cord connector.

### The Remke line of Wire Mesh Cable grips includes:

- *Standard Support Grips* – used both indoors & outdoors to hold the weight of a cable that is vertical or sloping.
- *Lace Closing Support Grips* – suitable for permanent support applications and designed for all phases of suspension or pulling.
- *Rod Closing Support Grips* – the fastest & easiest to install split-closure types but may be difficult to install at high angles of weave.
- *Wide Range Strain Relief Grips* – used to connect cord or cable to electrical enclosures & equipment featuring aluminum fittings and a gasket that provide a seal against dust, filings and other foreign material.
- *I-Grips* – designed for indoor use to secure plug bodies, provide strain relief and control arc of bend.
- *Bus Drop Grips* – absorb vibration and support flexible cord or cable when power is supplied from an overhead source.
- *Junior Pulling Grips* – reusable tools with a flexible eye that are well-suited for small job requirements where pulling tension is low.
- *Light-Duty Pulling Grips* – feature a flexible eye for easy attachment to a pulling line and are used in general underground electrical construction with low pulling tensions.

Engineered Solutions for any Remke Wire Mesh Grip can include options such as special lengths or stainless steel mesh.



## CORROSION RESISTANT CORD CONNECTORS

Tuff-Seal Corrosion Resistant Cord Connectors are designed to withstand the extremes of water, caustic materials, detergents or surfactants. Available in either metallic or non-metallic materials in a wide range of conduit sizes (including up to 4" in stainless steel), all our corrosion-resistant connectors either meet or exceed IP 67 or IP 68 standards, and can be ordered with a variety of thread styles such as Pg or ISO Metric.

### Metallic Corrosion Resistant Connectors include those made from:

- Steel which is zinc-chromium plated for added strength and durability, enhanced rust resistance and a better physical appearance that is ideally suited for use in washdowns or high moisture environments
- Type 304 Stainless Steel with exceptional tensile strength and the highest levels of durability in severely corrosive applications filled with saltwater, acids or chemicals such as washdowns or high moisture environments. (Type 316 also available.)
- Nickel-plated aluminum that offers the appearance of polished stainless steel with protection against corrosion, friction and contamination under severe conditions.

### Non-Metallic Corrosion Resistant Connectors are made from either:

- Nylon which offers excellent corrosion resistance, is lightweight, durable and ideal for use in damp environments with moisture or washdowns.
- Valox® for superior corrosion resistance and suitable for use in FDA-mandated washdowns or applications with moisture.

Engineered Solutions for Metallic Corrosion Resistant Connectors include custom lengths and thread type and custom colors or optional wire mesh for Non-Metallic Corrosion Resistant Connectors.

*(Valox is a registered trademark of GE Plastics.)*



### POWR-TECK™ MC CABLE CONNECTORS

Remke PowR-Teck™ MC Cable Connectors feature an exclusive one-piece design that nobody else provides. The other guys give you 4 or 5 pieces to assemble and if you lose one you're out of luck. But not with Remke! When you choose our PowR-Teck connector you get the PowR-Lock™ one-piece design that's more compact in size. And no disassembly is required – just push the cable through, tighten the connector and you're done.

Rated NEMA 4 and IP 65, PowR-Teck connectors are in-stock in ½" to 4" hub sizes in aluminum, nickel-plated aluminum and stainless steel.

#### Other features include:

- Unique PowR-Lock Grounding Seal for superior conductivity
- Neoprene bushing provides superior pull-out & sealing protection
- Embedded Viton® O-Ring

### XTK CONNECTORS FOR HAZARDOUS LOCATIONS

Remke PowR-Teck XTK Connectors offer certified protection for hazardous locations. If the air is filled with ignitable dust, vapors or gases selecting the correct fitting is critically important.

Available in hub sizes from 1/2" to 2", Remke XTK Connectors provide the means for passing jacketed metal clad cable through an enclosure or bulkhead in hazardous areas. These connectors keep out the elements while maintaining the equipment's hazardous location approvals.

#### Providing NEMA 4 protection, XTK Connectors are UL & CSA approved for these environments:

- UL Class 1 Div. 1, Groups A, B, C, D;
- UL Class II Div. 2, Groups F & G
- UL Class III
- CSA Class 1 Div. 1 & 2, Groups A, B, C, D;
- CSA Class 1 Div. 1 & 2, Groups E, F, G;
- IEC Zones 1 and 2, Group 2



### DOME CAP CABLE GLANDS

Remke Dome Cap Cable Glands provide easy handling, quick installation, impact and abrasion resistance even at very low temperatures. These cable glands are designed to withstand the rigors of continuous flexing & bending with ease and can be used with a wide range of cables for strain relief both indoors & outdoors.

Dome Cap Cable Glands are rated IP 68 making them suitable for use underwater to 300 feet - ideal for submersible applications as well as pumps, fountains and marine use. Exceeding NEMA 6 specifications.

#### The expanded family of Dome Cap Cable Glands includes:

- Standard Nylon Connectors available in a wide range of sizes with either NPT or Pg threads.
- Newly designed GEN 4 EMC cable glands provide easy insertion of cable from either side without damaging cable shield. Features 6 internal 'fingers' (or tines) with larger contact surfaces that allows low contact resistance on woven cable braids and foil shields.
- Spiral-Flex Extended Connector offers greater support and arc of bend preventing sharp bends or kinks in cable, and for additional damage protection from moving machinery or machine parts.
- Nickel-Plated Brass Connectors in a variety of thread styles including NPT, ISO/Metric and Pg that are ideal for use in a wide variety of applications including corrosive and industrial environments.
- 90 Degree Snap Elbow non-metallic cable gland with NPT threads.
- Ventilation Plugs reduce the adverse affects of humidity in the environment by preventing pressure increase inside the enclosure & limiting temperature increase through air circulation. Vent plugs are permeable to gases and vapors but impermeable to liquids and dust.
- Accessories including O-Rings, Locknuts and Blind Stop Plugs.

Dome Cap Cable Glands are easy to install in either clearance or threaded holes. You simply insert the cord and tighten the "dome-nut" to create a tight seal and relieve any strain on the cable. And no disassembly is required.



### MULTIPLE HOLE BUSHINGS

Multiple Hole Bushings are used when multiple conductors need to be terminated into one fitting. They are available in a slit-style or any standard form size and with an infinite number of hole combinations. Standard bushings are made from Neoprene, but optional materials include silicone for high temperature applications and Viton® for enhanced corrosion resistance.

### FESTOON CABLE CONNECTORS

Tuff-Seal™ Festoon Cable Connectors are specially designed and molded for heavy-duty, flat cable or festoon system applications. Festoon Cable Connectors replace the traditional two-screw connector at the critical point of termination between the plant environment and the internal wiring of the festoon system. This unique design gives the user the ability to place multiple cables through one connector saving both time & money by eliminating the need for multiple terminations and therefore multiple connectors.



### OTHER TUFF-SEAL PRODUCTS

The Tuff-Seal line also includes several other products including:

- Watertight Conduit Hubs are zinc die cast in sizes from ½" to 4" with an embedded O-Ring and unique angled serrations that provide a reliable watertight seal.
- Threaded Adapters easily convert or mate one thread style with another including both internal and external threads that mate NPT with ISO/Metric and NPT with Pg fittings.
- Liquidtight Connectors – Type 304 stainless steel body & ferrule, rated IP 68 & NEMA 4X, available in a variety of conduit sizes for use in wet or dry locations to seal electrical connections and prevent corrosion under the most adverse of conditions.



REMKE

ENGINEERED  
SOLUTIONS

## Tuff-Seal Engineered Solutions Are Second To None

In the Tuff-Seal™ family of Cord Connectors and Wire Mesh Grips, customization means you can mix and match from our extensive selection of special materials, wire mesh, components, threading, custom packaging, kitting and private labeling to develop the wire management Cord Connectors and Wire Mesh Grips that meets your specific needs.

### Special Materials

- Aluminum: excellent durability and performance for most industrial applications
- Nylon: lightweight and corrosion resistant
- Steel: preferred in rugged industrial environments
- Valox®: suitable for FDA-mandated washdown locations
- Stainless Steel: the highest levels of durability in severely corrosive environments
- Nickel-Plated Aluminum: protection against corrosion, friction & contamination with the appearance of polished stainless steel
- Anodized Aluminum: provides a naturally protective finish that is stronger and more durable as a result of the anodizing process

### Special Wire Mesh

- A variety of materials including non-magnetic tin coated bronze, stainless steel, galvanized steel, plastic-coated galvanized steel strands, non-metallic strands, and other custom configurations

### Special Components/Options

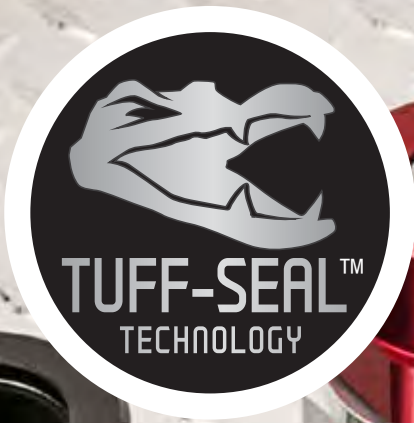
- Multiple hole bushings in a variety of hole combinations including flat cable
- Slit bushings
- Various bushing materials including neoprene, silicone, Viton® and Buna-N
- Locknuts
- Embedded O-Rings
- Application-specific requests

### Special Threading

- NPT
- Pg
- ISO (Metric)
- NPS
- Application-specific requests

### Custom Packaging, Kitting and Private Labeling



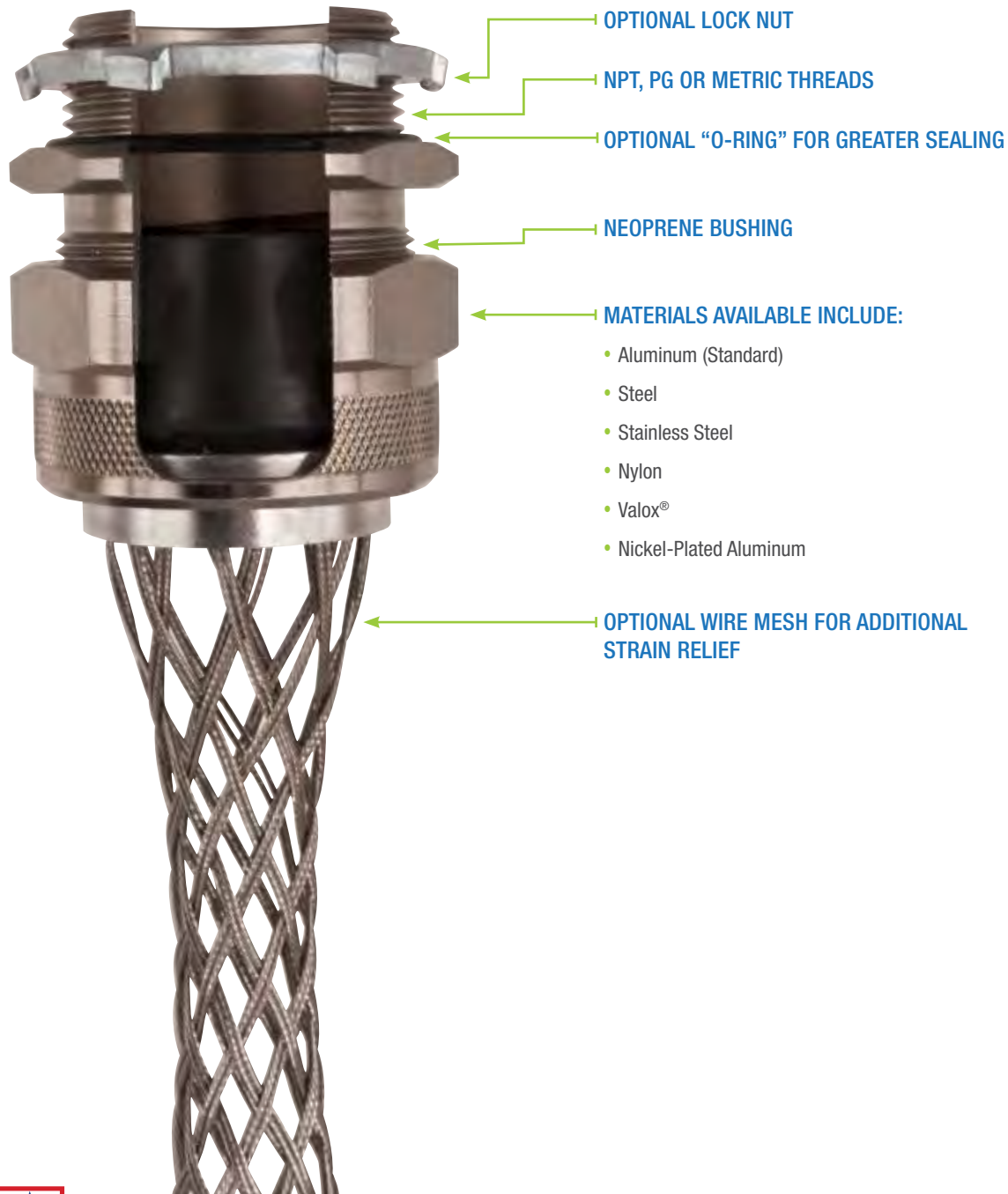


# STANDARD PRODUCT OFFERING TABLE OF CONTENTS

SECTION	PAGE
Guides to Cable Strain Relief.....	10-11
RSR Series Aluminum Cord Grips.....	12-17
RSR 90° Aluminum Cord Grips.....	18
RSR 45° Aluminum Cord Grips.....	20
RSRF Aluminum Cord Grips with Internal Conduit Threads.....	22
RSRS Steel Cord Connectors.....	23
RSSS Stainless Steel Corrosion-Resistant Cord Connectors.....	24
RSP Nylon Cord Grips.....	25
RSPV Valox® Corrosion-Resistant Cord Connectors.....	26
RPG Cord Grips with Pg Threads.....	27
RSM Cord Grips with ISO Metric Threads.....	28
Threaded Adapters.....	29
Drain Fittings.....	30
Solar Liquidtight Cord Grips.....	31
RSF Festoon Cable Connectors.....	32-33
Multiple Hole Bushings.....	34
Custom Bushing Design Guide.....	35
Dome Cap Cable Glands.....	36-39
Dome Cap PE Vent Plugs.....	40
Dome Cap Blind Stop Plugs.....	41
MC (Metal Clad) Cable Connectors.....	42
Explosion-Proof MC (Metal Clad) Cable Connectors.....	44
Swivel-Flex Aluminum Cord Grips.....	46
Tuff-Flex Cord Grip Connectors.....	47
Liquidtight Connectors.....	48-51
WH Watertight Conduit Hubs.....	52
Application Guide For Wire Mesh Grips.....	53
Wire Mesh Grip Product Specs.....	54
Standard Support Grips.....	55
Lace Closing Support Grips.....	56
Rod Closing Support Grips.....	57
I-Grips.....	58
Wide Range Strain Relief Grips.....	58
Bus Drop Grips.....	59
Bus Drop Safety Springs.....	59
Junior Pulling Grips.....	60
Light Duty Pulling Grips.....	60
<b>Tuff-Seal Technical Reference Section.....</b>	<b>62-74</b>



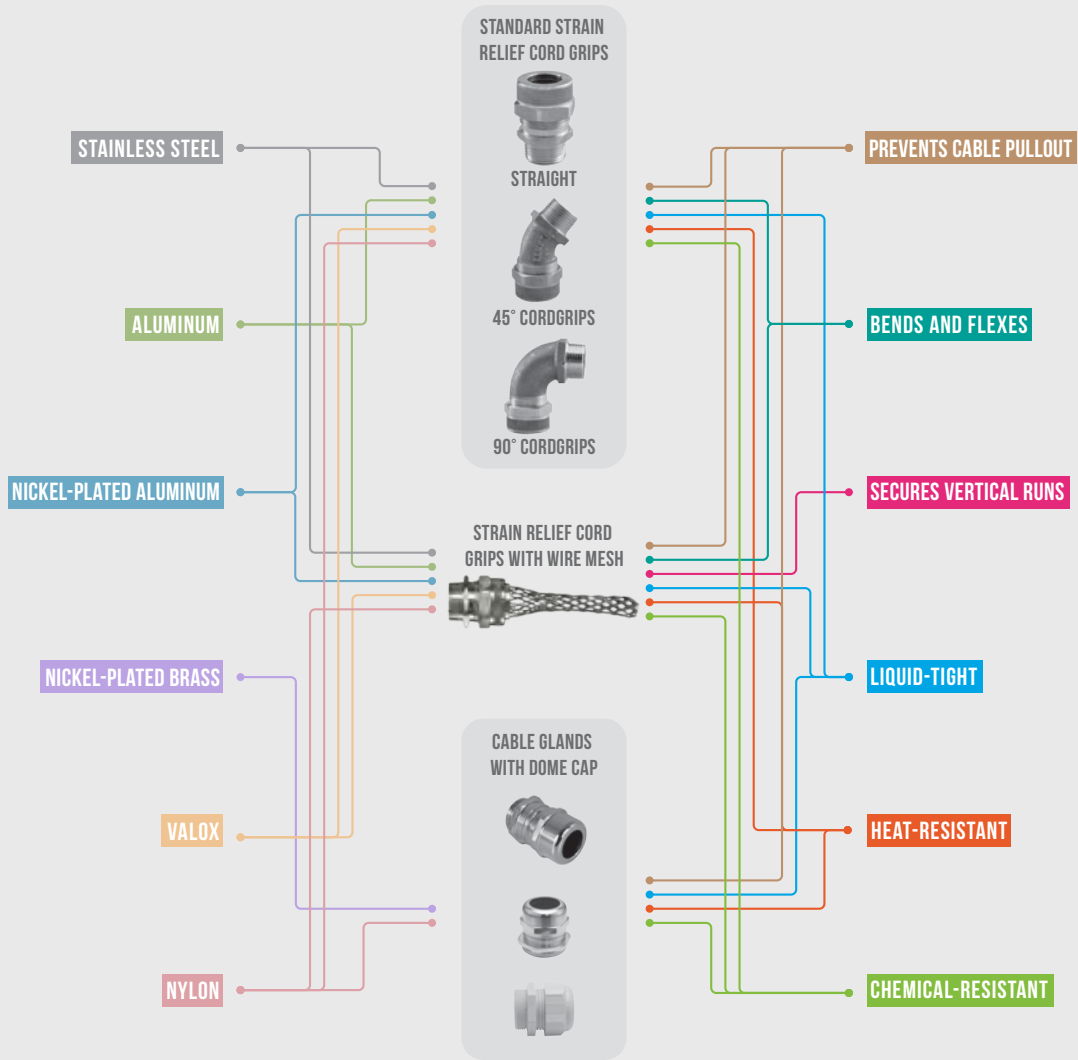
# INGREDIENTS OF A CORD GRIP





# REMKE The Ultimate Guide to Cable Strain Relief

Simplify the options for cable strain relief. It's easy to figure out which strain relief connector is suited to any application, just follow the lines!



## AVAILABILITY

Remke's complete line of cable strain relief connectors are in stock and ready to ship. We can also engineer and manufacture a strain relief connector to your exact specifications at no additional cost.

## OPTIONAL ADD-ONS



# CABLE STRAIN RELIEF FOR HARSH ENVIRONMENTS

The right strain relief connectors deliver long-term reliability



## WET

Environments where water and other liquids come in contact with electrical connectors.

Ideal materials for waterproof cable grips

Stainless Steel (304/316), Nylon, Valox, Nickel-Plated Brass, Nickel-Plated Aluminum

Common Applications  
Food Processing, Paper Production and Water Treatment



## HOT

Environments with high temperatures, direct heat or those that fluctuate greatly.

Ideal materials for high-temp cable connectors

Stainless Steel, Silicone, Valox, Nickel-Plated Aluminum

Common Applications  
Welding, Food Processing and Paper Production



## CHEMICAL

Environments where cable connectors come in contact with chemicals and other abrasive elements.

Materials for chemical-resistant cable grips

Stainless Steel, PVC, Valox, Silicone, Viton

Common Applications  
Manufacturing, Paper Production and Water Treatment



## COLD

Environments with sustained freezing temperatures, indoors or outdoors.

Ideal materials for cable connectors in the cold

Silicone, Neoprene, Viton, Stainless Steel,

Common Applications  
Refrigeration and Freezer Storage Facilities, Food Processing, Pharmaceutical, Outdoors



## MECHANICAL

Environments with constant bending and flexing of electrical cables and connectors.

Materials for industrial-strength cable grips

Stainless Steel, Aluminum, Steel, Nickel-Plated Brass, Nickel-Plated Aluminum

Common Applications  
Manufacturing, Assembly Lines, Robotics, Material Handling, Industrial Automation

## REMKE SOLUTIONS

All types of industrial-strength, cable-strain relief connectors are in-stock.

Shop our [online catalog](#) to see all the options or let us [custom-make electrical connectors](#) to your exact specs.

[Remke.com](http://Remke.com)



Request a Quote  
Call a Product Expert at 877-438-8833  
Email [CustomerCare@Remke.com](mailto:CustomerCare@Remke.com)



# RSR SERIES ALUMINUM CORD GRIPS



## RSR SERIES STRAIGHT ALUMINUM CORD GRIPS

Tuff-Seal™ RSR Series Aluminum Cord Grips are UL Listed and CSA Certified for use in both indoor and outdoor applications to prevent cable pullout, control arc of bend, and to provide a tight seal against environmental elements such as dirt, moisture and coolants.

The breadth of the line encompasses conduit sizes from 1/4" to 4" with fittings offered in machined aluminum, nickel-plated aluminum, steel, stainless steel, nylon and Valox®. Other features of the family of RSR Cord Grips include:

- A unique design with a combination tightening surface that includes both a hex area and a knurled surface
- Available with or without stainless steel wire mesh
- Optional embedded BUNA-N® O-Ring ensures a watertight and corrosion-resistant seal
- Available in NPT, PG, ISO or Metric threads
- Anti-friction washer that fits between the nut and bushing for easier compression.

*(Continues on pages 14-15)*

### NOTES

#### CORD GRIP ACCESSORIES

Locknuts: add "-L" to any part number  
O-Rings: add "-R" to any part number

#### OPTION: NICKEL-PLATED ALUMINUM

Add 'N' to end of prefix e.g. RSR-0003 becomes RSRN-0003

#### OPTION: ANODIZED ALUMINUM

Add 'A' to end of prefix e.g. RSR-0003 becomes RSRA-0003.

#### SPECIAL CONFIGURATIONS

Special configurations and materials are available. Consult factory.

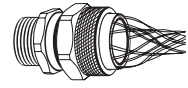
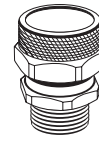
All wire mesh is stainless steel.

Dimension & certification information on pages 62 & 64 in Tuff-Seal Technical Reference



Suitable for use in corrosive environments

## COMPLETE ASSEMBLY PART NUMBERS



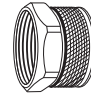
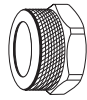
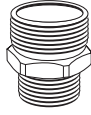
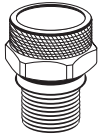
### RSR SERIES ALUMINUM CORD GRIPS

Conduit Size (NPT)	Cable Range	Cord Grip	Cord Grip With Mesh
1/4"	.125 - .188	RSR-0003	***
	.188 - .250	RSR-0004	RSR-0004-E
	.250 - .312	RSR-0005	RSR-0005-E
	.312 - .375	RSR-0006	RSR-0006-E
	.375 - .438	RSR-0007*	RSR-0007-E
3/8"	.125 - .188	RSR-003	***
	.188 - .250	RSR-004	RSR-004-E
	.250 - .312	RSR-005	RSR-005-E
	.312 - .375	RSR-006	RSR-006-E
	.375 - .438	RSR-007*	RSR-007-E
1/2"	.125 - .188	RSR-1003	***
	.188 - .250	RSR-1004	RSR-1004-E
	.250 - .312	RSR-1005	RSR-1005-E
	.312 - .375	RSR-1006	RSR-1006-E
	.375 - .438	RSR-1007	RSR-1007-E
	.125 - .188	RSR-103	***
	.188 - .250	RSR-104	RSR-104-E
	.250 - .312	RSR-105	RSR-105-E
	.312 - .375	RSR-106	RSR-106-E
	.375 - .438	RSR-107	RSR-107-E
	.438 - .500	RSR-108	RSR-108-E
	.500 - .562	RSR-109	RSR-109-E
	.562 - .625	RSR-110	RSR-110-E
	.438 - .500	RSR-1208	RSR-1208-E
	.500 - .562	RSR-1209	RSR-1209-E
.562 - .625	RSR-1210	RSR-1210-E	
.625 - .750	RSR-1212*	RSR-1212-E	
.688 - .812	RSR-1213*	RSR-1213-E	
3/4"	.125 - .188	RSR-2103	***
	.188 - .250	RSR-2104	RSR-2104-E
	.250 - .312	RSR-2105	RSR-2105-E
	.312 - .375	RSR-2106	RSR-2106-E
	.375 - .438	RSR-2107	RSR-2107-E
	.438 - .500	RSR-2108	RSR-2108-E
	.500 - .562	RSR-2109	RSR-2109-E
	.562 - .625	RSR-2110	RSR-2110-E
	.438 - .500	RSR-208	RSR-208-E
	.500 - .562	RSR-209	RSR-209-E
	.562 - .625	RSR-210	RSR-210-E
	.562 - .688	RSR-211	RSR-211-E
	.625 - .750	RSR-212	RSR-212-E
	.688 - .812	RSR-213	RSR-213-E
	.500 - .562	RSR-2309	RSR-2309-E
	.562 - .625	RSR-2310	RSR-2310-E
	.562 - .688	RSR-2311	RSR-2311-E
	.625 - .750	RSR-2312	RSR-2312-E
	.688 - .812	RSR-2313	RSR-2313-E
	.750 - .875	RSR-2314*	RSR-2314-E
	.812 - .938	RSR-2315*	RSR-2315-E
.875 - 1.000	RSR-2316*	RSR-2316-E	

\*Cable may have to be stripped to pass through the bore of the body

\*\*\*Contact Remke for mesh availability on this part number

# COMPONENT PART NUMBERS



CORD CONNECTORS

WIRE MESH GRIPS

PICO-LINK

MICRO-LINK

ETHERLINK

MINI-LINK

MULTI-PORT BOXES

BUS SYSTEM PRODUCTS

	Cord Grip Less Bushing	Body Only	Nut Only**	Washer Only	Bushings Only	Nut for Mesh Only	Mesh Only
	RSR-0000-W	RSR-0000-B	RSR-000-N	SW-000	SRB-003	***	***
	RSR-0000-W	RSR-0000-B	RSR-000-N	SW-000	SRB-004	RSR-000-ND	R-005-D
	RSR-0000-W	RSR-0000-B	RSR-000-N	SW-000	SRB-005	RSR-000-ND	R-005-D
	RSR-0000-W	RSR-0000-B	RSR-000-N	SW-000	SRB-006	RSR-000-ND	R-007-D
	RSR-0000-W	RSR-0000-B	RSR-000-N	SW-000	SRB-007	RSR-000-ND	R-007-D
	RSR-000-W	RSR-000-B	RSR-000-N	SW-000	SRB-003	***	***
	RSR-000-W	RSR-000-B	RSR-000-N	SW-000	SRB-004	RSR-000-ND	R-005-D
	RSR-000-W	RSR-000-B	RSR-000-N	SW-000	SRB-005	RSR-000-ND	R-005-D
	RSR-000-W	RSR-000-B	RSR-000-N	SW-000	SRB-006	RSR-000-ND	R-007-D
	RSR-000-W	RSR-000-B	RSR-000-N	SW-000	SRB-007	RSR-000-ND	R-007-D
	RSR-1000-W	RSR-1000-B	RSR-000-N	SW-000	SRB-003	***	***
	RSR-1000-W	RSR-1000-B	RSR-000-N	SW-000	SRB-004	RSR-000-ND	R-005-D
	RSR-1000-W	RSR-1000-B	RSR-000-N	SW-000	SRB-005	RSR-000-ND	R-005-D
	RSR-1000-W	RSR-1000-B	RSR-000-N	SW-000	SRB-006	RSR-000-ND	R-007-D
	RSR-1000-W	RSR-1000-B	RSR-000-N	SW-000	SRB-007	RSR-000-ND	R-007-D
	RSR-100-W	RSR-100-B	RSR-100-N	SW-100	SRB-103	***	***
	RSR-100-W	RSR-100-B	RSR-100-N	SW-100	SRB-104	RSR-100-ND	R-104-D
	RSR-100-W	RSR-100-B	RSR-100-N	SW-100	SRB-105	RSR-100-ND	R-106-D
	RSR-100-W	RSR-100-B	RSR-100-N	SW-100	SRB-106	RSR-100-ND	R-106-D
	RSR-100-W	RSR-100-B	RSR-100-N	SW-100	SRB-107	RSR-100-ND	R-108-D
	RSR-100-W	RSR-100-B	RSR-100-N	SW-100	SRB-108	RSR-100-ND	R-108-D
	RSR-100-W	RSR-100-B	RSR-100-N	SW-100	SRB-109	RSR-100-ND	R-110-D
	RSR-100-W	RSR-100-B	RSR-100-N	SW-100	SRB-110	RSR-100-ND	R-110-D
	RSR-1200-W	RSR-1200-B	RSR-200-N	SW-200	SRB-208	RSR-200-ND	R-210-D
	RSR-1200-W	RSR-1200-B	RSR-200-N	SW-200	SRB-209	RSR-200-ND	R-210-D
	RSR-1200-W	RSR-1200-B	RSR-200-N	SW-200	SRB-210	RSR-200-ND	R-210-D
	RSR-1200-W	RSR-1200-B	RSR-200-N	SW-200	SRB-211	RSR-200-ND	R-212-D
	RSR-1200-W	RSR-1200-B	RSR-200-N	SW-200	SRB-212	RSR-200-ND	R-212-D
	RSR-1200-W	RSR-1200-B	RSR-200-N	SW-200	SRB-213	RSR-200-ND	R-214-D
	RSR-2100-W	RSR-2100-B	RSR-100-N	SW-100	SRB-103	***	***
	RSR-2100-W	RSR-2100-B	RSR-100-N	SW-100	SRB-104	RSR-100-ND	R-104-D
	RSR-2100-W	RSR-2100-B	RSR-100-N	SW-100	SRB-105	RSR-100-ND	R-106-D
	RSR-2100-W	RSR-2100-B	RSR-100-N	SW-100	SRB-106	RSR-100-ND	R-106-D
	RSR-2100-W	RSR-2100-B	RSR-100-N	SW-100	SRB-107	RSR-100-ND	R-108-D
	RSR-2100-W	RSR-2100-B	RSR-100-N	SW-100	SRB-108	RSR-100-ND	R-108-D
	RSR-2100-W	RSR-2100-B	RSR-100-N	SW-100	SRB-109	RSR-100-ND	R-110-D
	RSR-2100-W	RSR-2100-B	RSR-100-N	SW-100	SRB-110	RSR-100-ND	R-110-D
	RSR-200-W	RSR-200-B	RSR-200-N	SW-200	SRB-208	RSR-200-ND	R-210-D
	RSR-200-W	RSR-200-B	RSR-200-N	SW-200	SRB-209	RSR-200-ND	R-210-D
	RSR-200-W	RSR-200-B	RSR-200-N	SW-200	SRB-210	RSR-200-ND	R-210-D
	RSR-200-W	RSR-200-B	RSR-200-N	SW-200	SRB-211	RSR-200-ND	R-212-D
	RSR-200-W	RSR-200-B	RSR-200-N	SW-200	SRB-212	RSR-200-ND	R-212-D
	RSR-200-W	RSR-200-B	RSR-200-N	SW-200	SRB-213	RSR-200-ND	R-214-D
	RSR-2300-W	RSR-2300-B	RSR-300-N	SW-300	SRB-309	RSR-300-ND2	R-210-D
	RSR-2300-W	RSR-2300-B	RSR-300-N	SW-300	SRB-310	RSR-300-ND2	R-210-D
	RSR-2300-W	RSR-2300-B	RSR-300-N	SW-300	SRB-311	RSR-300-ND2	R-212-D
	RSR-2300-W	RSR-2300-B	RSR-300-N	SW-300	SRB-312	RSR-300-ND2	R-212-D
	RSR-2300-W	RSR-2300-B	RSR-300-N	SW-300	SRB-313	RSR-300-ND	R-314-D
	RSR-2300-W	RSR-2300-B	RSR-300-N	SW-300	SRB-314	RSR-300-ND	R-314-D
	RSR-2300-W	RSR-2300-B	RSR-300-N	SW-300	SRB-315	RSR-300-ND	R-316-D
	RSR-2300-W	RSR-2300-B	RSR-300-N	SW-300	SRB-316	RSR-300-ND	R-316-D

\*\*Nuts sold as components are marked UL/CSA

\*\*\*Contact Remke for mesh availability on this part number





# RSR SERIES ALUMINUM CORD GRIPS



## RSR SERIES STRAIGHT ALUMINUM CORD GRIPS (CONTINUED FROM PAGES 12-13)

For applications known for their severe conditions – such as oil and gas, marine, food & chemical processing – RSR Cord Grips are available in nickel-plated aluminum. Providing exceptional corrosion resistance and high wear resistance, nickel plated connectors also feature an attractive finish similar to that of polished stainless steel.

Tuff-Seal™ RSR Cord Grips protect cable from damage and pull-out and are used in conduit hubs or knockouts at the point where the electrical cable is to be terminated.

*(Continues on pages 16-17)*

### NOTES

#### CORD GRIP ACCESSORIES

Locknuts: add "-L" to any part number  
O-Rings: add "-R" to any part number

#### OPTION: NICKEL-PLATED ALUMINUM

Add 'N' to end of prefix e.g. RSR-0003 becomes RSRN-0003

#### OPTION: ANODIZED ALUMINUM

Add 'A' to end of prefix e.g. RSR-0003 becomes RSRA-0003.

#### SPECIAL CONFIGURATIONS

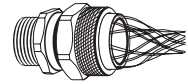
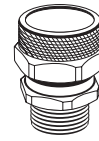
Special configurations and materials are available. Consult factory.

All wire mesh is stainless steel.

Dimension & certification information on pages 62 & 64 in Tuff-Seal Technical Reference



## COMPLETE ASSEMBLY PART NUMBERS



### RSR SERIES ALUMINUM CORD GRIPS

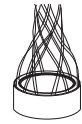
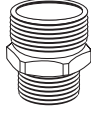
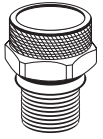
Conduit Size (NPT)	Cable Range	Cord Grip	Cord Grip With Mesh
1"	.500 – .562	RSR-309	RSR-309-E
	.562 – .625	RSR-310	RSR-310-E
	.562 – .688	RSR-311	RSR-311-E
	.625 – .750	RSR-312	RSR-312-E
	.688 – .812	RSR-313	RSR-313-E
	.750 – .875	RSR-314	RSR-314-E
	.812 – .938	RSR-315	RSR-315-E
	.875 – 1.000	RSR-316	RSR-316-E
	.875 – 1.000	RSR-3516	RSR-3516-E
	1.000 – 1.125	RSR-3518	RSR-3518-E
	1.125 – 1.250	RSR-3520*	RSR-3520-E
	1.250 – 1.375	RSR-3522*	RSR-3522-E
1 1/4"	.562 – .688	RSR-411	**
	.688 – .812	RSR-413	**
	.750 – .875	RSR-414	RSR-414-E
	.875 – 1.000	RSR-416	RSR-416-E
	1.000 – 1.125	RSR-418	RSR-418-E
	1.125 – 1.250	RSR-420*	RSR-420-E
	1.250 – 1.375	RSR-422*	RSR-422-E
1 1/2"	.562 – .688	RSR-511	**
	.688 – .812	RSR-513	**
	.750 – .875	RSR-514	RSR-514-E
	.875 – 1.000	RSR-516	RSR-516-E
	1.000 – 1.125	RSR-518	RSR-518-E
	1.125 – 1.250	RSR-520	RSR-520-E
	1.250 – 1.375	RSR-522	RSR-522-E
	1.250 – 1.375	RSR-5622	RSR-5622-E
	1.312 – 1.437	RSR-5623	RSR-5623-E
	1.438 – 1.562	RSR-5625	RSR-5625-E
	1.562 – 1.688	RSR-5627*	RSR-5627-E
1.688 – 1.800	RSR-5629*	RSR-5629-E	
2"	1.250 – 1.375	RSR-622	RSR-622-E
	1.312 – 1.437	RSR-623	RSR-623-E
	1.438 – 1.562	RSR-625	RSR-625-E
	1.562 – 1.688	RSR-627	RSR-627-E
	1.688 – 1.800	RSR-629	RSR-629-E
	1.688 – 1.812	RSR-6729	RSR-6729-E
	1.812 – 1.938	RSR-6731	RSR-6731-E
	1.938 – 2.062	RSR-6733*	RSR-6733-E
	2.062 – 2.188	RSR-6735*	RSR-6735-E
	2.188 – 2.312	RSR-6737*	RSR-6737-E
2.312 – 2.438	RSR-6739*	RSR-6739-E	

\*Cable may have to be stripped to pass through the bore of the body

\*\*Contact Remke for mesh availability on this part number



# COMPONENT PART NUMBERS



CORD CONNECTORS

WIRE MESH GRIPS

PICO-LINK

MICRO-LINK

ETHERLINK

MINI-LINK

MULTI-PORT BOXES

BUS SYSTEM PRODUCTS

	Cord Grip Less Bushing	Body Only	Nut Only	Washer Only	Bushing Only	Nut for Mesh Only	Mesh Only
	RSR-300-W	RSR-300-B	RSR-300-N	SW-300	SRB-309	RSR-300-ND2	R-210-D
	RSR-300-W	RSR-300-B	RSR-300-N	SW-300	SRB-310	RSR-300-ND2	R-210-D
	RSR-300-W	RSR-300-B	RSR-300-N	SW-300	SRB-311	RSR-300-ND2	R-212-D
	RSR-300-W	RSR-300-B	RSR-300-N	SW-300	SRB-312	RSR-300-ND2	R-212-D
	RSR-300-W	RSR-300-B	RSR-300-N	SW-300	SRB-313	RSR-300-ND	R-314-D
	RSR-300-W	RSR-300-B	RSR-300-N	SW-300	SRB-314	RSR-300-ND	R-314-D
	RSR-300-W	RSR-300-B	RSR-300-N	SW-300	SRB-315	RSR-300-ND	R-316-D
	RSR-300-W	RSR-300-B	RSR-300-N	SW-300	SRB-316	RSR-300-ND	R-316-D
	RSR-3500-W	RSR-3500-B	RSR-500-N	SW-500	SRB-516	RSR-500-ND	R-516-D
	RSR-3500-W	RSR-3500-B	RSR-500-N	SW-500	SRB-518	RSR-500-ND	R-518-D
	RSR-3500-W	RSR-3500-B	RSR-500-N	SW-500	SRB-520	RSR-500-ND	R-520-D
	RSR-3500-W	RSR-3500-B	RSR-500-N	SW-500	SRB-522	RSR-500-ND	R-522-D
	RSR-400-W	RSR-400-B	RSR-500-N	SW-500	SRB-511	**	**
	RSR-400-W	RSR-400-B	RSR-500-N	SW-500	SRB-513	**	**
	RSR-400-W	RSR-400-B	RSR-500-N	SW-500	SRB-514	RSR-500-ND	R-516-D
	RSR-400-W	RSR-400-B	RSR-500-N	SW-500	SRB-516	RSR-500-ND	R-516-D
	RSR-400-W	RSR-400-B	RSR-500-N	SW-500	SRB-518	RSR-500-ND	R-518-D
	RSR-400-W	RSR-400-B	RSR-500-N	SW-500	SRB-520	RSR-500-ND	R-520-D
	RSR-400-W	RSR-400-B	RSR-500-N	SW-500	SRB-522	RSR-500-ND	R-522-D
	RSR-500-W	RSR-500-B	RSR-500-N	SW-500	SRB-511	**	**
	RSR-500-W	RSR-500-B	RSR-500-N	SW-500	SRB-513	**	**
	RSR-500-W	RSR-500-B	RSR-500-N	SW-500	SRB-514	RSR-500-ND	R-516-D
	RSR-500-W	RSR-500-B	RSR-500-N	SW-500	SRB-516	RSR-500-ND	R-516-D
	RSR-500-W	RSR-500-B	RSR-500-N	SW-500	SRB-518	RSR-500-ND	R-518-D
	RSR-500-W	RSR-500-B	RSR-500-N	SW-500	SRB-520	RSR-500-ND	R-520-D
	RSR-500-W	RSR-500-B	RSR-500-N	SW-500	SRB-522	RSR-500-ND	R-522-D
	RSR-5600-W	RSR-5600-B	RSR-600-N	SW-600	SRB-622	RSR-600-ND	R-625-D
	RSR-5600-W	RSR-5600-B	RSR-600-N	SW-600	SRB-623	RSR-600-ND	R-625-D
	RSR-5600-W	RSR-5600-B	RSR-600-N	SW-600	SRB-625	RSR-600-ND	R-625-D
	RSR-5600-W	RSR-5600-B	RSR-600-N	SW-600	SRB-627	RSR-600-ND	R-627-D
	RSR-5600-W	RSR-5600-B	RSR-600-N	SW-600	SRB-629	RSR-600-ND	R-629-D
	RSR-600-W	RSR-600-B	RSR-600-N	SW-600	SRB-622	RSR-600-ND	R-625-D
	RSR-600-W	RSR-600-B	RSR-600-N	SW-600	SRB-623	RSR-600-ND	R-625-D
	RSR-600-W	RSR-600-B	RSR-600-N	SW-600	SRB-625	RSR-600-ND	R-625-D
	RSR-600-W	RSR-600-B	RSR-600-N	SW-600	SRB-627	RSR-600-ND	R-627-D
	RSR-600-W	RSR-600-B	RSR-600-N	SW-600	SRB-629	RSR-600-ND	R-629-D
	RSR-6700-W	RSR-6700-B	RSR-700-N	SW-700	SRB-729	RSR-700-ND	R-729-D
	RSR-6700-W	RSR-6700-B	RSR-700-N	SW-700	SRB-731	RSR-700-ND	R-733-D
	RSR-6700-W	RSR-6700-B	RSR-700-N	SW-700	SRB-733	RSR-700-ND	R-733-D
	RSR-6700-W	RSR-6700-B	RSR-700-N	SW-700	SRB-735	RSR-700-ND	R-737-D
	RSR-6700-W	RSR-6700-B	RSR-700-N	SW-700	SRB-737	RSR-700-ND	R-737-D
	RSR-6700-W	RSR-6700-B	RSR-700-N	SW-700	SRB-739	RSR-700-ND	R-739-D

\*\*Contact Remke for mesh availability on this part number





# RSR SERIES ALUMINUM CORD GRIPS



## RSR SERIES STRAIGHT ALUMINUM CORD GRIPS (CONTINUED FROM PAGES 14-15)

For applications known for their severe conditions – such as oil and gas, marine, food & chemical processing – RSR Cord Grips are available in nickel-plated aluminum. Providing exceptional corrosion resistance and high wear resistance, nickelplated connectors also feature an attractive finish similar to that of polished stainless steel.

Tuff-Seal™ RSR Cord Grips protect cable from damage and pull-out and are used in conduit hubs or knockouts at the point where the electrical cable is to be terminated.

### NOTES

#### CORD GRIP ACCESSORIES

Locknuts: add "-L" to any part number  
O-Rings: add "-R" to any part number

#### OPTION: NICKEL-PLATED ALUMINUM

Add 'N' to end of prefix e.g. RSR-0003 becomes RSRN-0003

#### OPTION: ANODIZED ALUMINUM

Add 'A' to end of prefix e.g. RSR-0003 becomes RSRA-0003.

#### SPECIAL CONFIGURATIONS

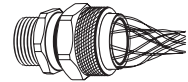
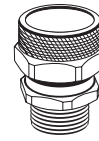
Special configurations and materials are available. Consult factory.

All wire mesh is stainless steel.

Dimension & certification information on pages 62 & 64 in Tuff-Seal Technical Reference



## COMPLETE ASSEMBLY PART NUMBERS

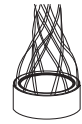
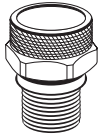


### RSR SERIES ALUMINUM CORD GRIPS

Conduit Size (NPT)	Cable Range	Cord Grip	Cord Grip With Mesh
2 1/2"	1.688 – 1.812	RSR-729	RSR-729-E
	1.812 – 1.938	RSR-731	RSR-731-E
	1.938 – 2.062	RSR-733	RSR-733-E
	2.062 – 2.188	RSR-735	RSR-735-E
	2.188 – 2.312	RSR-737	RSR-737-E
	2.312 – 2.438	RSR-739*	RSR-739-E
3"	1.688 – 1.812	RSR-8729	RSR-8729-E
	1.812 – 1.938	RSR-8731	RSR-8731-E
	1.938 – 2.062	RSR-8733	RSR-8733-E
	2.062 – 2.188	RSR-8735	RSR-8735-E
	2.188 – 2.312	RSR-8737	RSR-8737-E
	2.312 – 2.438	RSR-8739*	RSR-8739-E
	2.437 – 2.625	RSR-901	RSR-901-E
	2.625 – 2.812	RSR-902	RSR-902-E
	2.812 – 3.000	RSR-903	RSR-903-E
	3.000 – 3.250	RSR-904	RSR-904-E
3 1/2"	3.000 - 3.180	RSR-1151	RSR-1151-E
	3.180 - 3.335	RSR-1152	RSR-1152-E
	3.335 - 3.530	RSR-1153	RSR-1153-E
4"	3.500 - 3.690	RSR-1251	RSR-1251-E
	3.690 - 3.855	RSR-1252	RSR-1252-E
	3.855 - 4.025	RSR-1253	RSR-1253-E

\*Cable may have to be stripped to pass through the bore of the body

# COMPONENT PART NUMBERS



CORD CONNECTORS

WIRE MESH GRIPS

PICO-LINK

MICRO-LINK

ETHERLINK

MINI-LINK

MULTI-PORT BOXES

BUS SYSTEM PRODUCTS

	Cord Grip Less Bushing	Body Only	Nut Only	Washer Only	Bushing Only	Nut for Mesh Only	Mesh Only
	RSR-700-W	RSR-700-B	RSR-700-N	SW-700	SRB-729	RSR-700-ND	R-729-D
	RSR-700-W	RSR-700-B	RSR-700-N	SW-700	SRB-731	RSR-700-ND	R-733-D
	RSR-700-W	RSR-700-B	RSR-700-N	SW-700	SRB-733	RSR-700-ND	R-733-D
	RSR-700-W	RSR-700-B	RSR-700-N	SW-700	SRB-735	RSR-700-ND	R-737-D
	RSR-700-W	RSR-700-B	RSR-700-N	SW-700	SRB-737	RSR-700-ND	R-737-D
	RSR-700-W	RSR-700-B	RSR-700-N	SW-700	SRB-739	RSR-700-ND	R-739-D
	RSR-8700-W	RSR-8700-B	RSR-700-N	SW-700	SRB-729	RSR-700-ND	R-729-D
	RSR-8700-W	RSR-8700-B	RSR-700-N	SW-700	SRB-731	RSR-700-ND	R-733-D
	RSR-8700-W	RSR-8700-B	RSR-700-N	SW-700	SRB-733	RSR-700-ND	R-733-D
	RSR-8700-W	RSR-8700-B	RSR-700-N	SW-700	SRB-735	RSR-700-ND	R-737-D
	RSR-8700-W	RSR-8700-B	RSR-700-N	SW-700	SRB-737	RSR-700-ND	R-737-D
	RSR-8700-W	RSR-8700-B	RSR-700-N	SW-700	SRB-739	RSR-700-ND	R-739-D
	RSR-900-W	RSR-900-B	RSR-900-N	SW-913	SRB-901	RSR-900-ND	R-902-D
	RSR-900-W	RSR-900-B	RSR-900-N	SW-913	SRB-902	RSR-900-ND	R-902-D
	RSR-900-W	RSR-900-B	RSR-900-N	SW-913	SRB-903	RSR-900-ND	R-904-D
	RSR-900-W	RSR-900-B	RSR-900-N	SW-913	SRB-904	RSR-900-ND	R-904-D
	RSR-1150-W	RSR-1150-B	TK-1100-N	SW-1100	SRB-1101	TK-1100-ND	R-1100-D
	RSR-1150-W	RSR-1150-B	TK-1100-N	SW-1100	SRB-1102	TK-1100-ND	R-1100-D
	RSR-1150-W	RSR-1150-B	TK-1100-N	SW-1100	SRB-1103	TK-1100-ND	R-1100-D
	RSR-1250-W	RSR-1250-B	TK-1200-N	SW-1200	SRB-1201	TK-1200-ND	R-1200-D
	RSR-1250-W	RSR-1250-B	TK-1200-N	SW-1200	SRB-1202	TK-1200-ND	R-1200-D
	RSR-1250-W	RSR-1250-B	TK-1200-N	SW-1200	SRB-1203	TK-1200-ND	R-1200-D





# RSR SERIES ALUMINUM CORD GRIPS



## RSR SERIES 90° ALUMINUM CORD GRIPS

Tuff-Seal™ 90° RSR Cord Grips are UL Listed and CSA Certified for use in both indoor and outdoor applications to prevent cable pullout, control arc of bend, and to provide a tight seal against environmental elements such as dirt, moisture and coolants.

These cord grips with external threads offer the same features as the straight RSR grips described on page 14. 90° grips can be ordered with or without wire mesh attachments, accommodate conduit sizes from 3/8" to 2" and are available in machined aluminum, nylon and Valox®.

For applications known for their severe conditions – such as oil and gas, marine, food & chemical processing – RSR 90° Cord Grips are available in nickel-plated aluminum. Providing exceptional corrosion resistance and high wear resistance, nickel-plated connectors also feature an attractive finish similar to that of polished stainless steel.

These Tuff-Seal grips protect cable from damage and pull-out and are used in conduit hubs or knock-outs at the point where the electrical cable is to be terminated.

### NOTES

#### CORD GRIP ACCESSORIES

Locknuts: add "-L" to any part number  
O-Rings: add "-R" to any part number

#### OPTION: NICKEL-PLATED ALUMINUM

Add 'N' to end of prefix e.g. RSR-9003 becomes RSRN-9003

#### OPTION: ANODIZED ALUMINUM

Add 'A' to end of prefix e.g. RSR-9003 becomes RSRA-9003

#### SPECIAL CONFIGURATIONS

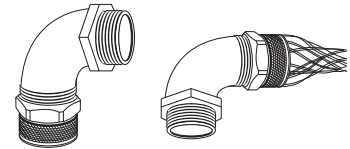
Special configurations and materials are available. Consult factory.

All wire mesh is stainless steel.

Dimension & certification information on pages 62 & 64 in Tuff-Seal Technical Reference



## COMPLETE ASSEMBLY PART NUMBERS



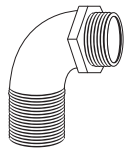
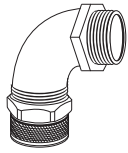
### RSR SERIES ALUMINUM CORD GRIPS

Conduit Size (NPT)	Cable Range	Cord Grip	Cord Grip With Mesh
3/8"	.125 – .188	RSR-9003	***
	.188 – .250	RSR-9004	RSR-9004-E
	.250 – .312	RSR-9005	RSR-9005-E
	.312 – .375	RSR-9006	RSR-9006-E
	.375 – .438	RSR-9007	RSR-9007-E
1/2"	.125 – .188	RSR-9103	***
	.188 – .250	RSR-9104	RSR-9104-E
	.250 – .312	RSR-9105	RSR-9105-E
	.312 – .375	RSR-9106	RSR-9106-E
	.375 – .438	RSR-9107	RSR-9107-E
	.438 – .500	RSR-9108	RSR-9108-E
	.500 – .562	RSR-9109	RSR-9109-E
	.562 – .625	RSR-9110	RSR-9110-E
3/4"	.438 – .500	RSR-9208	RSR-9208-E
	.500 – .562	RSR-9209	RSR-9209-E
	.562 – .625	RSR-9210	RSR-9210-E
	.562 – .688	RSR-9211	RSR-9211-E
	.625 – .750	RSR-9212	RSR-9212-E
	.688 – .812	RSR-9213	RSR-9213-E
1"	.500 – .562	RSR-9309	RSR-9309-E
	.562 – .625	RSR-9310	RSR-9310-E
	.562 – .688	RSR-9311	RSR-9311-E
	.625 – .750	RSR-9312	RSR-9312-E
	.688 – .812	RSR-9313	RSR-9313-E
	.750 – .875	RSR-9314	RSR-9314-E
	.812 – .938	RSR-9315	RSR-9315-E
	.875 – 1.000	RSR-9316	RSR-9316-E
1 1/4"	.562 – .688	RSR-9411	***
	.688 – .812	RSR-9413	***
	.750 – .875	RSR-9414	RSR-9414-E
	.875 – 1.000	RSR-9416	RSR-9416-E
	1.000 – 1.125	RSR-9418	RSR-9418-E
	1.125 – 1.250	RSR-9420	RSR-9420-E
1 1/2"	1.250 – 1.375	RSR-9422	RSR-9422-E
	.562 – .688	RSR-9511	***
	.688 – .812	RSR-9513	***
	.750 – .875	RSR-9514	RSR-9514-E
	.875 – 1.000	RSR-9516	RSR-9516-E
	1.000 – 1.125	RSR-9518	RSR-9518-E
	1.125 – 1.250	RSR-9520	RSR-9520-E
	1.250 – 1.375	RSR-9522	RSR-9522-E
	1.438 – 1.562	RSR-9525	RSR-9525-E
	1.562 – 1.688	RSR-9527	RSR-9527-E
2"	1.688 – 1.800	RSR-9529	RSR-9529-E
	1.250 – 1.375	RSR-9622	RSR-9622-E
	1.438 – 1.562	RSR-9625	RSR-9625-E
	1.562 – 1.688	RSR-9627	RSR-9627-E
	1.688 – 1.800	RSR-9629	RSR-9629-E

\*Cable may have to be stripped to pass through the bore of the body

\*\*\*Contact Remke for mesh availability of this part number

# COMPONENT PART NUMBERS



CORD CONNECTORS

WIRE MESH GRIPS

PICO-LINK

MICRO-LINK

ETHERLINK

MINI-LINK

MULTI-PORT BOXES

BUS SYSTEM PRODUCTS

	Cord Grip Less Bushing	Body Only	Nut Only**	Washer Only	Bushings Only	Nut for Mesh Only	Mesh Only
	RSR-9000-W	RSR-9000-B	RSR-000-N	SW-000	SRB-003	***	***
	RSR-9000-W	RSR-9000-B	RSR-000-N	SW-000	SRB-004	RSR-000-ND	R-005-D
	RSR-9000-W	RSR-9000-B	RSR-000-N	SW-000	SRB-005	RSR-000-ND	R-005-D
	RSR-9000-W	RSR-9000-B	RSR-000-N	SW-000	SRB-006	RSR-000-ND	R-007-D
	RSR-9000-W	RSR-9000-B	RSR-000-N	SW-000	SRB-007	RSR-000-ND	R-007-D
	RSR-9100-W	RSR-9100-B	RSR-100-N	SW-100	SRB-103	***	***
	RSR-9100-W	RSR-9100-B	RSR-100-N	SW-100	SRB-104	RSR-100-ND	R-104-D
	RSR-9100-W	RSR-9100-B	RSR-100-N	SW-100	SRB-105	RSR-100-ND	R-106-D
	RSR-9100-W	RSR-9100-B	RSR-100-N	SW-100	SRB-106	RSR-100-ND	R-106-D
	RSR-9100-W	RSR-9100-B	RSR-100-N	SW-100	SRB-107	RSR-100-ND	R-108-D
	RSR-9100-W	RSR-9100-B	RSR-100-N	SW-100	SRB-108	RSR-100-ND	R-108-D
	RSR-9100-W	RSR-9100-B	RSR-100-N	SW-100	SRB-109	RSR-100-ND	R-110-D
	RSR-9100-W	RSR-9100-B	RSR-100-N	SW-100	SRB-110*	RSR-100-ND	R-110-D
	RSR-9200-W	RSR-9200-B	RSR-200-N	SW-200	SRB-208	RSR-200-ND	R-210-D
	RSR-9200-W	RSR-9200-B	RSR-200-N	SW-200	SRB-209	RSR-200-ND	R-210-D
	RSR-9200-W	RSR-9200-B	RSR-200-N	SW-200	SRB-210	RSR-200-ND	R-210-D
	RSR-9200-W	RSR-9200-B	RSR-200-N	SW-200	SRB-211	RSR-200-ND	R-212-D
	RSR-9200-W	RSR-9200-B	RSR-200-N	SW-200	SRB-212	RSR-200-ND	R-212-D
	RSR-9200-W	RSR-9200-B	RSR-200-N	SW-200	SRB-213*	RSR-200-ND	R-214-D
	RSR-9300-W	RSR-9300-B	RSR-300-N	SW-300	SRB-309	RSR-300-ND2	R-210-D
	RSR-9300-W	RSR-9300-B	RSR-300-N	SW-300	SRB-310	RSR-300-ND2	R-210-D
	RSR-9300-W	RSR-9300-B	RSR-300-N	SW-300	SRB-311	RSR-300-ND2	R-212-D
	RSR-9300-W	RSR-9300-B	RSR-300-N	SW-300	SRB-312	RSR-300-ND2	R-212-D
	RSR-9300-W	RSR-9300-B	RSR-300-N	SW-300	SRB-313	RSR-300-ND	R-314-D
	RSR-9300-W	RSR-9300-B	RSR-300-N	SW-300	SRB-314	RSR-300-ND	R-314-D
	RSR-9300-W	RSR-9300-B	RSR-300-N	SW-300	SRB-315	RSR-300-ND	R-316-D
	RSR-9300-W	RSR-9300-B	RSR-300-N	SW-300	SRB-316	RSR-300-ND	R-316-D
	RSR-9400-W	RSR-9400-B	RSR-500-N	SW-500	SRB-511	***	***
	RSR-9400-W	RSR-9400-B	RSR-500-N	SW-500	SRB-513	***	***
	RSR-9400-W	RSR-9400-B	RSR-500-N	SW-500	SRB-514	RSR-500-ND	R-516-D
	RSR-9400-W	RSR-9400-B	RSR-500-N	SW-500	SRB-516	RSR-500-ND	R-516-D
	RSR-9400-W	RSR-9400-B	RSR-500-N	SW-500	SRB-518	RSR-500-ND	R-518-D
	RSR-9400-W	RSR-9400-B	RSR-500-N	SW-500	SRB-520	RSR-500-ND	R-520-D
	RSR-9400-W	RSR-9400-B	RSR-500-N	SW-500	SRB-522*	RSR-500-ND	R-522-D
	RSR-9500-W	RSR-9500-B	RSR-500-N	SW-500	SRB-511	***	***
	RSR-9500-W	RSR-9500-B	RSR-500-N	SW-500	SRB-513	***	***
	RSR-9500-W	RSR-9500-B	RSR-500-N	SW-500	SRB-514	RSR-500-ND	R-516-D
	RSR-9500-W	RSR-9500-B	RSR-500-N	SW-500	SRB-516	RSR-500-ND	R-516-D
	RSR-9500-W	RSR-9500-B	RSR-500-N	SW-500	SRB-518	RSR-500-ND	R-518-D
	RSR-9500-W	RSR-9500-B	RSR-500-N	SW-500	SRB-520	RSR-500-ND	R-520-D
	RSR-9500-W	RSR-9500-B	RSR-500-N	SW-500	SRB-522	RSR-500-ND	R-522-D
	RSR-9601-W	RSR-9601-B	RSR-600-N	SW-600	SRB-625	RSR-600-ND	R-625-D
	RSR-9601-W	RSR-9601-B	RSR-600-N	SW-600	SRB-627	RSR-600-ND	R-627-D
	RSR-9601-W	RSR-9601-B	RSR-600-N	SW-600	SRB-629	RSR-600-ND	R-629-D
	RSR-9600-W	RSR-9600-B	RSR-600-N	SW-600	SRB-622	RSR-600-ND	R-625-D
	RSR-9600-W	RSR-9600-B	RSR-600-N	SW-600	SRB-625	RSR-600-ND	R-625-D
	RSR-9600-W	RSR-9600-B	RSR-600-N	SW-600	SRB-627	RSR-600-ND	R-627-D
	RSR-9600-W	RSR-9600-B	RSR-600-N	SW-600	SRB-629	RSR-600-ND	R-629-D

\*\*Nuts sold as components are marked UL/CSA

\*\*\*Contact Remke for mesh availability of this part number





# RSR SERIES ALUMINUM CORD GRIPS



## RSR SERIES 45° ALUMINUM CORD GRIPS

Tuff-Seal™ 45° RSR Cord Grips are UL Listed and CSA Certified for use in both indoor and outdoor applications to prevent cable pullout, control arc of bend, and to provide a tight seal against environmental elements such as dirt, moisture and coolants.

These cord grips with external threads offer the same features as the straight RSR grips described on page 14. Made from machined aluminum, these grips can be ordered with or without wire mesh attachments and accommodate conduit sizes from 1/2" to 1 1/2".

For applications known for their severe conditions – such as oil and gas, marine, food & chemical processing – RSR 45° Cord Grips are also available in nickel-plated aluminum. Providing exceptional corrosion resistance and high wear resistance, nickel-plated connectors also feature an attractive finish similar to that of polished stainless steel.

These Tuff-Seal grips protect cable from damage and pull-out and are used in conduit hubs or knock-outs at the point where the electrical cable is to be terminated.

### NOTES

#### CORD GRIP ACCESSORIES

Locknuts: add "-L" to any part number  
O-Rings: add "-R" to any part number

#### OPTION: NICKEL-PLATED ALUMINUM

Add 'N' to end of prefix e.g. RSR-45103 becomes RSRN-45103

#### OPTION: ANODIZED ALUMINUM

Add 'A' to end of prefix e.g. RSR-45103 becomes RSRA-45103

#### SPECIAL CONFIGURATIONS

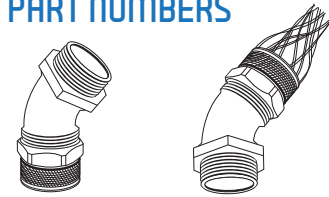
Special configurations and materials are available. Consult factory.

All wire mesh is stainless steel.

Dimension & certification information on pages 62 & 64 in Tuff-Seal Technical Reference



## COMPLETE ASSEMBLY PART NUMBERS



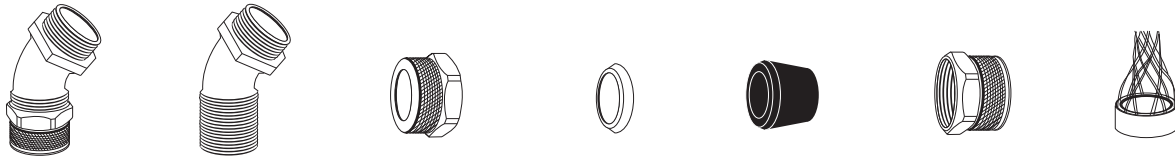
### RSR SERIES ALUMINUM CORD GRIPS

Conduit Size (NPT)	Cable Range	Cord Grip	Cord Grip With Mesh
1/2"	.125 – .188	RSR-45103	***
	.188 – .250	RSR-45104	RSR-45104-E
	.250 – .312	RSR-45105	RSR-45105-E
	.312 – .375	RSR-45106	RSR-45106-E
	.375 – .438	RSR-45107	RSR-45107-E
	.438 – .500	RSR-45108	RSR-45108-E
	.500 – .562	RSR-45109	RSR-45109-E
	.562 – .625	RSR-45110	RSR-45110-E
3/4"	.438 – .500	RSR-45208	RSR-45208-E
	.500 – .562	RSR-45209	RSR-45209-E
	.562 – .625	RSR-45210	RSR-45210-E
	.625 – .688	RSR-45211	RSR-45211-E
	.625 – .750	RSR-45212	RSR-45212-E
	.688 – .812	RSR-45213	RSR-45213-E
1"	.500 – .562	RSR-45309	RSR-45309-E
	.500 – .625	RSR-45310	RSR-45310-E
	.562 – .688	RSR-45311	RSR-45311-E
	.625 – .750	RSR-45312	RSR-45312-E
	.688 – .812	RSR-45313	RSR-45313-E
	.750 – .875	RSR-45314	RSR-45314-E
	.812 – .938	RSR-45315	RSR-45315-E
	.875 – 1.000	RSR-45316	RSR-45316-E
1 1/4"	.562 – .688	RSR-45411	***
	.688 – .812	RSR-45413	***
	.750 – .875	RSR-45414	RSR-45414-E
	.875 – 1.000	RSR-45416	RSR-45416-E
	1.000 – 1.125	RSR-45418	RSR-45418-E
	1.125 – 1.250	RSR-45420	RSR-45420-E
	1.250 – 1.375	RSR-45422	RSR-45422-E
1 1/2"	.562 – .688	RSR-45511	***
	.688 – .812	RSR-45513	***
	.750 – .875	RSR-45514	RSR-45514-E
	.875 – 1.000	RSR-45516	RSR-45516-E
	1.000 – 1.125	RSR-45518	RSR-45518-E
	1.125 – 1.250	RSR-45520	RSR-45520-E
1.250 – 1.375	RSR-45522	RSR-45522-E	

\*Cable may have to be stripped to pass through the bore of the body

\*\*\*Contact Remke for mesh availability of this part number

# COMPONENT PART NUMBERS



	Cord Grip Less Bushing	Body Only	Nut Only**	Washer Only	Bushing Only	Nut for Mesh Only	Mesh Only
	RSR-45100-W	RSR-45100-B	RSR-100-N	SW-100	SRB-103	***	***
	RSR-45100-W	RSR-45100-B	RSR-100-N	SW-100	SRB-104	RSR-100-ND	R-104-D
	RSR-45100-W	RSR-45100-B	RSR-100-N	SW-100	SRB-105	RSR-100-ND	R-106-D
	RSR-45100-W	RSR-45100-B	RSR-100-N	SW-100	SRB-106	RSR-100-ND	R-106-D
	RSR-45100-W	RSR-45100-B	RSR-100-N	SW-100	SRB-107	RSR-100-ND	R-108-D
	RSR-45100-W	RSR-45100-B	RSR-100-N	SW-100	SRB-108	RSR-100-ND	R-108-D
	RSR-45100-W	RSR-45100-B	RSR-100-N	SW-100	SRB-109	RSR-100-ND	R-110-D
	RSR-45100-W	RSR-45100-B	RSR-100-N	SW-100	SRB-110*	RSR-100-ND	R-110-D
	RSR-45200-W	RSR-45200-B	RSR-200-N	SW-200	SRB-208	RSR-200-ND	R-210-D
	RSR-45200-W	RSR-45200-B	RSR-200-N	SW-200	SRB-209	RSR-200-ND	R-210-D
	RSR-45200-W	RSR-45200-B	RSR-200-N	SW-200	SRB-210	RSR-200-ND	R-210-D
	RSR-45200-W	RSR-45200-B	RSR-200-N	SW-200	SRB-211	RSR-200-ND	R-212-D
	RSR-45200-W	RSR-45200-B	RSR-200-N	SW-200	SRB-212	RSR-200-ND	R-212-D
	RSR-45200-W	RSR-45200-B	RSR-200-N	SW-200	SRB-213*	RSR-200-ND	R-214-D
	RSR-45300-W	RSR-45300-B	RSR-300-N	SW-300	SRB-309	RSR-300-ND2	R-210-D
	RSR-45300-W	RSR-45300-B	RSR-300-N	SW-300	SRB-310	RSR-300-ND2	R-210-D
	RSR-45300-W	RSR-45300-B	RSR-300-N	SW-300	SRB-311	RSR-300-ND2	R-212-D
	RSR-45300-W	RSR-45300-B	RSR-300-N	SW-300	SRB-312	RSR-300-ND2	R-212-D
	RSR-45300-W	RSR-45300-B	RSR-300-N	SW-300	SRB-313	RSR-300-ND	R-314-D
	RSR-45300-W	RSR-45300-B	RSR-300-N	SW-300	SRB-314	RSR-300-ND	R-314-D
	RSR-45300-W	RSR-45300-B	RSR-300-N	SW-300	SRB-315	RSR-300-ND	R-316-D
	RSR-45300-W	RSR-45300-B	RSR-300-N	SW-300	SRB-316	RSR-300-ND	R-316-D
	RSR-45400-W	RSR-45400-B	RSR-500-N	SW-500	SRB-511	***	***
	RSR-45400-W	RSR-45400-B	RSR-500-N	SW-500	SRB-513	***	***
	RSR-45400-W	RSR-45400-B	RSR-500-N	SW-500	SRB-514	RSR-500-ND	R-516-D
	RSR-45400-W	RSR-45400-B	RSR-500-N	SW-500	SRB-516	RSR-500-ND	R-516-D
	RSR-45400-W	RSR-45400-B	RSR-500-N	SW-500	SRB-518	RSR-500-ND	R-518-D
	RSR-45400-W	RSR-45400-B	RSR-500-N	SW-500	SRB-520	RSR-500-ND	R-520-D
	RSR-45400-W	RSR-45400-B	RSR-500-N	SW-500	SRB-522*	RSR-500-ND	R-522-D
	RSR-45500-W	RSR-45500-B	RSR-500-N	SW-500	SRB-511	***	***
	RSR-45500-W	RSR-45500-B	RSR-500-N	SW-500	SRB-513	***	***
	RSR-45500-W	RSR-45500-B	RSR-500-N	SW-500	SRB-514	RSR-500-ND	R-516-D
	RSR-45500-W	RSR-45500-B	RSR-500-N	SW-500	SRB-516	RSR-500-ND	R-516-D
	RSR-45500-W	RSR-45500-B	RSR-500-N	SW-500	SRB-518	RSR-500-ND	R-518-D
	RSR-45500-W	RSR-45500-B	RSR-500-N	SW-500	SRB-520	RSR-500-ND	R-520-D
	RSR-45500-W	RSR-45500-B	RSR-500-N	SW-500	SRB-522	RSR-500-ND	R-522-D

\*\*Nuts sold as components are marked UL/CSA

\*\*\*Contact Remke for mesh availability of this part number

CORD CONNECTORS

WIRE MESH GRIPS

PICO-LINK

MICRO-LINK

ETHERLINK

MINI-LINK

MULTI-PORT BOXES

BUS SYSTEM PRODUCTS





# RSRF SERIES ALUMINUM CORD GRIPS



## RSRF SERIES STRAIGHT ALUMINUM CORD GRIPS

Tuff-Seal™ RSRF Cord Grips with internal conduit threads are UL Recognized and CSA Certified for use in both indoor and outdoor applications to prevent cable pullout, control arc of bend, and to provide a tight seal against environmental elements such as dirt, moisture and coolants.

Made from machined aluminum, these cord grips offer the same features as the RSR grips described on page 14 and can be ordered with or without wire mesh attachments and accommodate conduit sizes from 3/8" to 1 1/4".

For applications known for their severe conditions – such as oil and gas, marine, food & chemical processing – RSRF Cord Grips are available in nickel-plated aluminum. Providing exceptional corrosion resistance and high wear resistance, nickel-plated connectors also feature an attractive finish similar to that of polished stainless steel.

These Tuff-Seal grips protect cable from damage and pull-out and are used in conduit hubs or knock-outs at the point where the electrical cable is to be terminated.

### NOTES

#### SPECIAL CONFIGURATIONS

Special configurations and materials are available. Consult factory.

All wire mesh is stainless steel.

Dimension & certification information on pages 62 & 66 in Tuff-Seal Technical Reference.

## COMPLETE ASSEMBLY PART NUMBERS

RSRF SERIES ALUMINUM CORD GRIPS				
Conduit Size (NPT)	Cable Range	Cord Grip	Cord Grip With Mesh	
3/8"	.125 – .188	RSRF-003	**	
	.188 – .250	RSRF-004	RSRF-004-E	
	.250 – .312	RSRF-005	RSRF-005-E	
	.312 – .375	RSRF-006	RSRF-006-E	
	.375 – .438	RSRF-007	RSRF-007-E	
1/2"	.125 – .188	RSRF-103	**	
	.188 – .250	RSRF-104	RSRF-104-E	
	.250 – .312	RSRF-105	RSRF-105-E	
	.312 – .375	RSRF-106	RSRF-106-E	
	.375 – .438	RSRF-107	RSRF-107-E	
	.438 – .500	RSRF-108	RSRF-108-E	
	.500 – .562	RSRF-109	RSRF-109-E	
	.562 – .625	RSRF-110	RSRF-110-E	
	3/4"	.125 – .188	RSRF-2103	**
		.188 – .250	RSRF-2104	RSRF-2104-E
.250 – .312		RSRF-2105	RSRF-2105-E	
.312 – .375		RSRF-2106	RSRF-2106-E	
.375 – .438		RSRF-2107	RSRF-2107-E	
.438 – .500		RSRF-2108	RSRF-2108-E	
.500 – .562		RSRF-2109	RSRF-2109-E	
.562 – .625		RSRF-2110	RSRF-2110-E	
1"		.500 – .562	RSRF-309	RSRF-309-E
		.562 – .625	RSRF-310	RSRF-310-E
	.562 – .688	RSRF-311	RSRF-311-E	
	.625 – .750	RSRF-312	RSRF-312-E	
	.688 – .812	RSRF-313	RSRF-313-E	
	.750 – .875	RSRF-314	RSRF-314-E	
	.812 – .938	RSRF-315	RSRF-315-E	
	.875 – 1.000	RSRF-316	RSRF-316-E	
	1 1/4"	.562 – .688	RSRF-411	**
		.688 – .812	RSRF-413	**
.750 – .875		RSRF-414	RSRF-414-E	
.875 – 1.000		RSRF-416	RSRF-416-E	
1.000 – 1.125		RSRF-418	RSRF-418-E	
1.125 – 1.250		RSRF-420	RSRF-420-E	
1.250 – 1.375		RSRF-422	RSRF-422-E	

\*Cable may have to be stripped to pass through the bore of the body

Larger sizes are available-Minimum quantities may apply. Consult factory.

\*\*Contact Remke for mesh availability of this part number



Nickel-plated aluminum:  
Cord grips available in nickel-plated aluminum. Add "N" to end of prefix.  
(ex: RSRF-0003 becomes RSRFN-0003)





# RSRS SERIES STEEL CORD GRIPS



## RSRS SERIES STEEL CORD CONNECTORS

The Tuff-Seal™ RSRS series of corrosion-resistant cord connectors features a body and compression nut made of zinc-chromium plated steel for added strength and durability, enhanced resistance to rust and a better physical appearance. These connectors are ideally suited for use in washdowns or high moisture environments in food processing plants, petrochemical facilities, wastewater treatment plants, pulp & paper mills and chemical manufacturing factories.

RSRS cord connectors have been designed to withstand the extremes of water, caustic materials, detergents or surfactants.

RSRS Corrosion-Resistant Connectors can be ordered with or without wire mesh and accommodate 3/8", 1/2", 3/4" and 1" conduit. The combination tightening surface on these connectors is a unique Remke design that provides a large wrenching area for easy installation. And the knurl section offers users an extra gripping surface for initial hand tightening.

### NOTES

#### CORD GRIP ACCESSORIES

Locknuts: add "-L" to any part number  
O-Rings: add "-R" to any part number

#### SPECIAL CONFIGURATIONS

Special configurations and materials are available. Consult factory.

All wire mesh is stainless steel.

Dimension & certification information on pages 62 & 64 in Tuff-Seal Technical Reference. Dimensions are the same as those for RSR Straight Cord Grips.

## COMPLETE ASSEMBLY PART NUMBERS

### RSRS SERIES STEEL CORD GRIPS

Conduit Size (NPT)	Cable Range	Cord Grip	Cord Grip With Mesh	
3/8"	.125 – .188	RSRS-003	**	
	.188 – .250	RSRS-004	RSRS-004-E	
	.250 – .312	RSRS-005	RSRS-005-E	
	.312 – .375	RSRS-006	RSRS-006-E	
	.375 – .438	RSRS-007	RSRS-007-E	
1/2"	.125 – .188	RSRS-103	**	
	.188 – .250	RSRS-104	RSRS-104-E	
	.250 – .312	RSRS-105	RSRS-105-E	
	.312 – .375	RSRS-106	RSRS-106-E	
	.375 – .438	RSRS-107	RSRS-107-E	
	.438 – .500	RSRS-108	RSRS-108-E	
	.500 – .562	RSRS-109	RSRS-109-E	
	.562 – .625	RSRS-110	RSRS-110-E	
	3/4"	.438 – .500	RSRS-208	RSRS-208-E
		.500 – .562	RSRS-209	RSRS-209-E
.562 – .625		RSRS-210	RSRS-210-E	
.562 – .688		RSRS-211	RSRS-211-E	
.625 – .750		RSRS-212	RSRS-212-E	
.688 – .812		RSRS-213*	RSRS-213-E	
1"	.500 – .562	RSRS-309	RSRS-309-E	
	.562 – .625	RSRS-310	RSRS-310-E	
	.562 – .688	RSRS-311	RSRS-311-E	
	.625 – .750	RSRS-312	RSRS-312-E	
	.688 – .812	RSRS-313	RSRS-313-E	
	.750 – .875	RSRS-314	RSRS-314-E	
	.812 – .938	RSRS-315	RSRS-315-E	
	.875 – 1.000	RSRS-316	RSRS-316-E	
1 1/4"	.950 – 1.050	RSRS-416	RSRS-416-E	
	1.050 – 1.150	RSRS-418	RSRS-418-E	
	1.150 – 1.250	RSRS-420	RSRS-420-E	
	1.250 – 1.375	RSRS-422	RSRS-422-E	
1 1/2"	.950 – 1.050	RSRS-516	RSRS-516-E	
	1.050 – 1.150	RSRS-518	RSRS-518-E	
	1.150 – 1.250	RSRS-520	RSRS-520-E	
	1.250 – 1.375	RSRS-522	RSRS-522-E	

\*Cable may have to be stripped to pass through the bore of the body

\*\*Contact Remke for mesh availability of this part number



CORD CONNECTORS

WIRE MESH GRIPS

PICO-LINK

MICRO-LINK

ETHERLINK

MINI-LINK

MULTI-PORT BOXES

BUS SYSTEM PRODUCTS





# RSSS SERIES STAINLESS STEEL CORD GRIPS



## RSSS SERIES STAINLESS STEEL CORROSION-RESISTANT CORD CONNECTORS

The Tuff-Seal™ RSSS series of corrosion-resistant cord connectors feature a body and compression nut made of Type 304 stainless steel with exceptional tensile strength and the highest levels of durability in severely corrosive environments filled with saltwater, acids or chemicals. All RSSS connectors include an embedded Buna-N O-Ring. These connectors are recommended for use in washdowns or high moisture environments in food processing plants, petrochemical facilities, wastewater treatment plants, pulp & paper mills and chemical manufacturing factories. (Note: Type 316 stainless steel also available upon request and minimums may apply.)

All RSSS connectors can be ordered with or without wire mesh attachments and accommodate conduit sizes from 3/8" to 3".

The combination tightening surface on RSSS Corrosion-Resistant Connectors is a unique Remke design that provides a large wrenching area for easy installation.

## COMPLETE ASSEMBLY PART NUMBERS

RSSS SERIES STAINLESS STEEL CORD GRIPS			
Conduit Size (NPT)	Cable Range	Cord Grip	Cord Grip With Mesh
3/8"	.125 – .188	RSSS-003	**
	.188 – .250	RSSS-004	RSSS-004-E
	.250 – .312	RSSS-005	RSSS-005-E
	.312 – .375	RSSS-006	RSSS-006-E
	.375 – .438	RSSS-007	RSSS-007-E
1/2"	.125 – .188	RSSS-103	**
	.188 – .250	RSSS-104	RSSS-104-E
	.250 – .312	RSSS-105	RSSS-105-E
	.312 – .375	RSSS-106	RSSS-106-E
	.375 – .438	RSSS-107	RSSS-107-E
	.438 – .500	RSSS-108	RSSS-108-E
	.500 – .562	RSSS-109	RSSS-109-E
	.562 – .625	RSSS-110*	RSSS-110-E
3/4"	.438 – .500	RSSS-208	RSSS-208-E
	.500 – .562	RSSS-209	RSSS-209-E
	.562 – .625	RSSS-210	RSSS-210-E
	.562 – .688	RSSS-211	RSSS-211-E
	.625 – .750	RSSS-212	RSSS-212-E
1"	.688 – .812	RSSS-213*	RSSS-213-E
	.500 – .562	RSSS-309	RSSS-309-E
	.562 – .625	RSSS-310	RSSS-310-E
	.562 – .688	RSSS-311	RSSS-311-E
	.625 – .750	RSSS-312	RSSS-312-E
	.688 – .812	RSSS-313	RSSS-313-E
	.750 – .875	RSSS-314	RSSS-314-E
	.812 – .938	RSSS-315	RSSS-315-E
1 1/4"	.875 – 1.000	RSSS-316	RSSS-316-E
	.562 – .688	RSSS-411	**
	.688 – .812	RSSS-413	**
	.750 – .875	RSSS-414	RSSS-414-E
	.875 – 1.000	RSSS-416	RSSS-416-E
	1.000 – 1.125	RSSS-418	RSSS-418-E
	1.125 – 1.250	RSSS-420*	RSSS-420-E
1 1/2"	1.250 – 1.375	RSSS-422*	RSSS-422-E
	.562 – .688	RSSS-511	**
	.688 – .812	RSSS-513	**
	.750 – .875	RSSS-514	RSSS-514-E
	.875 – 1.000	RSSS-516	RSSS-516-E
	1.000 – 1.125	RSSS-518	RSSS-518-E
	1.125 – 1.250	RSSS-520	RSSS-520-E
2"	1.250 – 1.375	RSSS-522	RSSS-522-E
	1.250 – 1.375	RSSS-622	RSSS-622-E
	1.312 – 1.438	RSSS-623	RSSS-623-E
	1.438 – 1.562	RSSS-625	RSSS-625-E
	1.562 – 1.688	RSSS-627	RSSS-627-E
	1.688 – 1.800	RSSS-629	RSSS-629-E
	1.688 – 1.812	RSSS-6729	RSSS-6729-E
	1.812 – 1.938	RSSS-6731	RSSS-6731-E
	1.938 – 2.062	RSSS-6733*	RSSS-6733-E
	2.062 – 2.188	RSSS-6735*	RSSS-6735-E
2 1/2"	2.188 – 2.312	RSSS-6737*	RSSS-6737-E
	2.312 – 2.438	RSSS-6739*	RSSS-6739-E
	1.688 – 1.812	RSSS-729	RSSS-729-E
	1.812 – 1.938	RSSS-731	RSSS-731-E
	1.938 – 2.062	RSSS-733	RSSS-733-E
	2.062 – 2.188	RSSS-735	RSSS-735-E
3"	2.188 – 2.312	RSSS-737	RSSS-737-E
	2.312 – 2.438	RSSS-739*	RSSS-739-E
	2.437 – 2.635	RSSS-901	RSSS-901-E
	2.625 – 2.812	RSSS-902	RSSS-902-E
	2.812 – 3.000	RSSS-903	RSSS-903-E
3.000 – 3.250	RSSS-904	RSSS-904-E	

\*Cable may have to be stripped to pass through the bore of the body

Stainless Steel cord grips are available in 3 1/2 & 4 inch NPT. Contact factory for availability.

\*\*Contact Remke for mesh availability of this part number

### NOTES

#### CORD GRIP ACCESSORIES

LOCKNUTS: To any part number add '-L' for standard locknut and '-LNSS' for stainless steel locknut.

#### SPECIAL CONFIGURATIONS

Special configurations and materials are available. Consult factory.

Dimension & certification information on pages 62 & 64 in Tuff-Seal Technical Reference.

All wire mesh is stainless steel.

For conduit sizes 1 1/4" through 2 1/2" minimum quantities may apply. Consult factory.





# RSP SERIES NYLON CORD GRIPS



## RSP SERIES NYLON CORROSION-RESISTANT CORD CONNECTORS

The Tuff-Seal™ RSP Series of Non-Metallic Cord Connectors are constructed of a durable, nylon material which offers excellent corrosion resistance, is lightweight, durable and ideal for use in damp environments. RSP Cord Connectors are ideally suited for use in applications with moisture or washdowns and they provide an environmental seal against dirt, coolants, fumes and the like.

RSP Corrosion-Resistant Connectors can be ordered with or without wire mesh attachments. The straight- body style accommodates 3/8", 1/2" and 3/4" conduit sizes while the 90° body fits 1/2" and 3/4" conduit. These connectors also feature a compression bushing made of high-quality, oil resistant Neoprene rubber with an anti-friction washer made of nylon.

RSP Connectors are suitable for use in both indoor and outdoor applications to prevent cable pullout and control arc of bend.

### NOTES

#### CORD GRIP ACCESSORIES

Locknuts: add "-L" to any part number  
O-Rings: add "-R" to any part number

Also available in yellow. Add "-Y" to part number.

#### SPECIAL CONFIGURATIONS

Special configurations and materials are available. Consult factory.

All wire mesh is stainless steel.

Dimension & certification information on pages 62 & 66 in Tuff-Seal Technical Reference.



## RSP SERIES-STRAIGHT

### COMPLETE ASSEMBLY PART NUMBERS

Conduit Size (NPT)	Cable Range	Cord Grip	Cord Grip With Mesh
3/8"	.125 – .188	RSP-003	**
	.188 – .250	RSP-004	RSP-004-E
	.250 – .312	RSP-005	RSP-005-E
	.312 – .375	RSP-006	RSP-006-E
1/2"	.375 – .438	RSP-007	RSP-007-E
	.125 – .188	RSP-103	**
	.188 – .250	RSP-104	RSP-104-E
	.250 – .312	RSP-105	RSP-105-E
	.312 – .375	RSP-106	RSP-106-E
	.375 – .438	RSP-107	RSP-107-E
	.438 – .500	RSP-108	RSP-108-E
3/4"	.500 – .562	RSP-109	RSP-109-E
	.562 – .625	RSP-110	RSP-110-E
	.438 – .500	RSP-208	RSP-208-E
	.500 – .562	RSP-209	RSP-209-E
	.562 – .625	RSP-210	RSP-210-E
	.625 – .688	RSP-211	RSP-211-E
3/4"	.625 – .750	RSP-212	RSP-212-E
	.688 – .812	RSP-213	RSP-213-E

\*\*Contact Remke for mesh availability on this part number

## RSP SERIES-90°

### COMPLETE ASSEMBLY PART NUMBERS

Conduit Size (NPT)	Cable Range	Cord Grip	Cord Grip With Mesh
1/2"	.125 – .188	RSP-9103	**
	.188 – .250	RSP-9104	RSP-9104-E
	.250 – .312	RSP-9105	RSP-9105-E
	.312 – .375	RSP-9106	RSP-9106-E
	.375 – .438	RSP-9107	RSP-9107-E
	.438 – .500	RSP-9108	RSP-9108-E
	.500 – .562	RSP-9109	RSP-9109-E
3/4"	.562 – .625	RSP-9110	RSP-9110-E
	.438 – .500	RSP-9208	RSP-9208-E
	.500 – .562	RSP-9209	RSP-9209-E
	.562 – .625	RSP-9210	RSP-9210-E
	.625 – .688	RSP-9211	RSP-9211-E
	.625 – .750	RSP-9212	RSP-9212-E
3/4"	.688 – .812	RSP-9213	RSP-9213-E

\*\*Contact Remke for mesh availability on this part number

CORD CONNECTORS

WIRE MESH GRIPS

PICO-LINK

MICRO-LINK

ETHERLINK

MINI-LINK

MULTI-PORT BOXES

BUS SYSTEM PRODUCTS





# RSPV SERIES VALOX CORD GRIPS



## VALOX® CORROSION-RESISTANCE & FDA-WASHDOWN APPROVED CORD GRIPS

Tuff-Seal™ Cord Grips made of Valox are cutting-edge, non-metallic connectors with excellent heat, chemical and corrosion resistance. This material provides high mechanical, thermal and electrical properties for stability and reliability. Rated for IP and NEMA compliance, Remke Valox cord grips are ideal for applications that require an environmental seal against dirt, dust, moisture, fumes and chemicals - and are also approved for FDA-washdowns.

Remke Valox Cord Grips feature a compression bushing made of high-quality, oil-resistant Neoprene rubber with an anti-friction washer made of nylon. RSPV cord grips are suitable for use both indoors & outdoors to prevent cable pullout and control arc of bend. Available options include

- Wire mesh attachments
- Straight-body style for 3/8", 1/2" and 3/4" conduit sizes
- 90-degree body for 1/2" and 3/4" conduit.

Valox connectors are commonly used in Automation, OEMs Maintenance and repair operations, food processing, wastewater treatment, Petro chemical, marine and shipboard, pulp and paper processing.

### NOTES

#### CORD GRIP ACCESSORIES

Locknuts: add "-L" to any part number  
O-Rings: add "-R" to any part number

#### SPECIAL CONFIGURATIONS

Special configurations and materials are available. Consult factory.

All wire mesh is stainless steel.

Dimension & certification information on pages 62 & 66 in Tuff-Seal Technical Reference.

Valox is registered trademark of GE Plastics

## RSPV SERIES-STRAIGHT

### COMPLETE ASSEMBLY PART NUMBERS

Conduit Size (NPT)	Cable Range	Cord Grip	Cord Grip With Mesh
3/8"	.125 - .188	RSPV-003	**
	.188 - .250	RSPV-004	RSPV-004-E
	.250 - .312	RSPV-005	RSPV-005-E
	.312 - .375	RSPV-006	RSPV-006-E
	.375 - .438	RSPV-007	RSPV-007-E
1/2"	.125 - .188	RSPV-103	**
	.188 - .250	RSPV-104	RSPV-104-E
	.250 - .312	RSPV-105	RSPV-105-E
	.312 - .375	RSPV-106	RSPV-106-E
	.375 - .438	RSPV-107	RSPV-107-E
	.438 - .500	RSPV-108	RSPV-108-E
	.500 - .562	RSPV-109	RSPV-109-E
	.562 - .625	RSPV-110	RSPV-110-E
3/4"	.438 - .500	RSPV-208	RSPV-208-E
	.500 - .562	RSPV-209	RSPV-209-E
	.562 - .625	RSPV-210	RSPV-210-E
	.562 - .688	RSPV-211	RSPV-211-E
	.625 - .750	RSPV-212	RSPV-212-E
	.688 - .812	RSPV-213	RSPV-213-E

\*\*Contact Remke for mesh availability on this part number

## RSPV SERIES-90°

### COMPLETE ASSEMBLY PART NUMBERS

Conduit Size (NPT)	Cable Range	Cord Grip	Cord Grip With Mesh
1/2"	.125 - .188	RSPV-9103	**
	.188 - .250	RSPV-9104	RSPV-9104-E
	.250 - .312	RSPV-9105	RSPV-9105-E
	.312 - .375	RSPV-9106	RSPV-9106-E
	.375 - .438	RSPV-9107	RSPV-9107-E
	.438 - .500	RSPV-9108	RSPV-9108-E
	.500 - .562	RSPV-9109	RSPV-9109-E
	.562 - .625	RSPV-9110	RSPV-9110-E
3/4"	.438 - .500	RSPV-9208	RSPV-9208-E
	.500 - .562	RSPV-9209	RSPV-9209-E
	.562 - .625	RSPV-9210	RSPV-9210-E
	.562 - .688	RSPV-9211	RSPV-9211-E
	.625 - .750	RSPV-9212	RSPV-9212-E
	.688 - .812	RSPV-9213	RSPV-9213-E

\*Cable may have to be stripped to pass through the bore of the body

\*\*Contact Remke for mesh availability on this part number



Suitable for use in corrosive environments



# RPG SERIES ALUMINUM CORD GRIPS



## RPG CORD GRIPS WITH PG THREADS

The Tuff-Seal™ RPG Series Cord Grips features a Pg thread so that it can mate with an internal Pg thread of an enclosure, machine or other equipment being connected. Features of these grips are identical to those of our standard RSR Series Aluminum Cord Grips described on page 14. These grips are offered in Pg 11-13.5-16-21-29-36-42 and 48 and can be ordered with or without mesh attachments.

### NOTES

#### CORD GRIP ACCESSORIES

Locknuts: add "-L" to any part number  
O-Rings: add "-R" to any part number

#### SPECIAL CONFIGURATIONS

Special configurations and materials are available. Consult factory.

Larger sizes available upon request.

All wire mesh is stainless steel.

#### Thread specifications:

Detailed thread specifications are available upon request.  
Taps are readily available.



## RPG SERIES STEEL CORD GRIPS

### COMPLETE ASSEMBLY PART NUMBERS

Pg Thread	Cable Range	Cord Grip	Cord Grip With Mesh
Pg 11	.125 – .187	RPG-11103	**
	.187 – .250	RPG-11104	RPG-11104-E
	.250 – .312	RPG-11105	RPG-11105-E
	.312 – .375	RPG-11106	RPG-11106-E
	.375 – .438	RPG-11107	RPG-11107-E
	.438 – .500	RPG-11108	RPG-11108-E
	.500 – .562	RPG-11109*	RPG-11109-E
Pg 13.5	.562 – .625	RPG-11110*	RPG-11110-E
	.125 – .187	RPG-13103	**
	.187 – .250	RPG-13104	RPG-13104-E
	.250 – .312	RPG-13105	RPG-13105-E
	.312 – .375	RPG-13106	RPG-13106-E
	.375 – .438	RPG-13107	RPG-13107-E
	.438 – .500	RPG-13108	RPG-13108-E
Pg 16	.500 – .562	RPG-13109	RPG-13109-E
	.562 – .625	RPG-13110	RPG-13110-E
	.438 – .500	RPG-16208	RPG-16208-E
	.500 – .562	RPG-16209	RPG-16209-E
	.562 – .625	RPG-16210	RPG-16210-E
	.625 – .687	RPG-16211	RPG-16211-E
	.687 – .812	RPG-16212	RPG-16212-E
Pg 21	.687 – .812	RPG-16213	RPG-16213-E
	.500 – .562	RPG-21309	RPG-21309-E
	.562 – .625	RPG-21310	RPG-21310-E
	.625 – .750	RPG-21311	RPG-21311-E
	.750 – .875	RPG-21312	RPG-21312-E
	.875 – 1.000	RPG-21313	RPG-21313-E
	.875 – 1.000	RPG-21314	RPG-21314-E
Pg 29	.875 – 1.000	RPG-21315	RPG-21315-E
	.875 – 1.000	RPG-21316	RPG-21316-E
	.500 – .562	RPG-29309	RPG-29309-E
	.562 – .625	RPG-29310	RPG-29310-E
	.625 – .750	RPG-29311	RPG-29311-E
	.750 – .875	RPG-29312	RPG-29312-E
	.875 – 1.000	RPG-29313	RPG-29313-E
	1.000 – 1.125	RPG-29314	RPG-29314-E
	1.125 – 1.250	RPG-29315	RPG-29315-E
	1.250 – 1.375	RPG-29316	RPG-29316-E
	1.375 – 1.500	RPG-29317	RPG-29317-E
	1.500 – 1.625	RPG-29318	RPG-29318-E
Pg 36	1.625 – 1.750	RPG-29319	RPG-29319-E
	1.750 – 2.000	RPG-29320	RPG-29320-E
	2.000 – 2.250	RPG-29321	RPG-29321-E
	2.250 – 2.500	RPG-29322	RPG-29322-E
Pg 42	2.500 – 2.750	RPG-36516	RPG-36516-E
	2.750 – 3.000	RPG-36518	RPG-36518-E
	3.000 – 3.250	RPG-36520	RPG-36520-E
	3.250 – 3.500	RPG-36522	RPG-36522-E
Pg 48	3.500 – 3.750	RPG-42622	RPG-42622-E
	3.750 – 4.000	RPG-42623	RPG-42623-E
	4.000 – 4.250	RPG-42625	RPG-42625-E
	4.250 – 4.500	RPG-42627	RPG-42627-E
Pg 48	4.500 – 4.750	RPG-42629	RPG-42629-E
	4.750 – 5.000	RPG-48629	RPG-48629-E
	5.000 – 5.250	RPG-48731	RPG-48731-E
	5.250 – 5.500	RPG-48733	RPG-48733-E
	5.500 – 5.750	RPG-48735	RPG-48735-E
Pg 48	5.750 – 6.000	RPG-48737	RPG-48737-E
	6.000 – 6.250	RPG-48739	RPG-48739-E
	6.250 – 6.500	RPG-48739-E	RPG-48739-E

\*Cable may have to be stripped to pass through the bore of the body

\*\*Contact Remke for mesh availability on this part number

CORD CONNECTORS

WIRE MESH GRIPS

PICO-LINK

MICRO-LINK

ETHERLINK

MINI-LINK

MULTI-PORT BOXES

BUS SYSTEM PRODUCTS





# RSM SERIES ALUMINUM CORD GRIPS



## RSM SERIES CORD GRIPS WITH ISO METRIC THREADS

The line of Tuff-Seal™ liquid-tight RSM Series Cord Grips are similar to our standard products except that the external conduit thread is replaced with an ISO thread for mating with an internal metric thread of an enclosure, machine or other equipment being connected. The metric threads on these grips meet DIN 40430 standards.

### NOTES

#### CORD GRIP ACCESSORIES

Locknuts: add "-L" to any part number  
O-Rings: add "-R" to any part number

#### SPECIAL CONFIGURATIONS

Special configurations and materials are available. Consult factory.

All wire mesh is stainless steel.

Thread specifications in the Tuff-Seal Technical Reference Section

## RSM SERIES CORD GRIPS WITH ISO THREADS

### COMPLETE ASSEMBLY PART NUMBERS

ISO Metric Thread	Cable Range	Cord Grip	Cord Grip With Mesh
M16	.125 – .187	RSM-161003	**
	.187 – .250	RSM-161004	RSM-161004-E
	.250 – .312	RSM-161005	RSM-161005-E
	.312 – .375	RSM-161006	RSM-161006-E
	.375 – .438	RSM-161007	RSM-161007-E
	.125 – .187	RSM-16103	**
	.187 – .250	RSM-16104	RSM-16104-E
	.250 – .312	RSM-16105	RSM-16105-E
	.312 – .375	RSM-16106	RSM-16106-E
	.375 – .438	RSM-16107	RSM-16107-E
	.438 – .500	RSM-16108	RSM-16108-E
M20	.500 – .562	RSM-16109	RSM-16109-E
	.562 – .625	RSM-16110	RSM-16110-E
	.125 – .187	RSM-20103	**
	.187 – .250	RSM-20104	RSM-20104-E
	.250 – .312	RSM-20105	RSM-20105-E
	.312 – .375	RSM-20106	RSM-20106-E
	.375 – .438	RSM-20107	RSM-20107-E
M25	.438 – .500	RSM-20108	RSM-20108-E
	.500 – .562	RSM-20109	RSM-20109-E
	.562 – .625	RSM-20110	RSM-20110-E
	.250 – .312	RSM-25205	**
	.312 – .375	RSM-25206	**
	.375 – .438	RSM-25207	**
	.438 – .500	RSM-25208	RSM-25208-E
	.500 – .562	RSM-25209	RSM-25209-E
M30	.562 – .625	RSM-25210	RSM-25210-E
	.625 – .687	RSM-25211	RSM-25211-E
	.625 – .750	RSM-25212	RSM-25212-E
	.687 – .812	RSM-25213	RSM-25213-E
	.438 – .500	RSM-30308	RSM-30308-E
	.500 – .562	RSM-30309	RSM-30309-E
	.562 – .625	RSM-30310	RSM-30310-E
	.625 – .687	RSM-30311	RSM-30311-E
	.625 – .750	RSM-30312	RSM-30312-E
	.687 – .812	RSM-30313	RSM-30313-E
M32	.750 – .875	RSM-30314	RSM-30314-E
	.812 – .937	RSM-30315	RSM-30315-E
	.875 – 1.000	RSM-30316	RSM-30316-E
	.438 – .500	RSM-32308	RSM-32308-E
	.500 – .562	RSM-32309	RSM-32309-E
	.562 – .625	RSM-32310	RSM-32310-E
	.562 – .688	RSM-32311	RSM-32311-E
	.625 – .750	RSM-32312	RSM-32312-E
M40	.688 – .812	RSM-32313	RSM-32313-E
	.750 – .875	RSM-32314	RSM-32314-E
	.812 – .938	RSM-32315	RSM-32315-E
	.875 – 1.000	RSM-32316	RSM-32316-E
	.562 – .688	RSM-40411	**
	.688 – .812	RSM-40413	**
	.750 – .875	RSM-40414	RSM-40414-E
	.875 – 1.000	RSM-40416	RSM-40416-E
M50	1.000 – 1.125	RSM-40418	RSM-40418-E
	1.125 – 1.250	RSM-40420	RSM-40420-E
	1.250 – 1.375	RSM-40422	RSM-40422-E
	.562 – .688	RSM-50511	**
	.688 – .812	RSM-50513	**
	.750 – .875	RSM-50514	RSM-50514-E
M50	.875 – 1.000	RSM-50516	RSM-50516-E
	1.000 – 1.125	RSM-50518	RSM-50518-E
	1.125 – 1.250	RSM-50520	RSM-50520-E
	1.250 – 1.375	RSM-50522	RSM-50522-E

\*Cable may have to be stripped to pass through the bore of the body

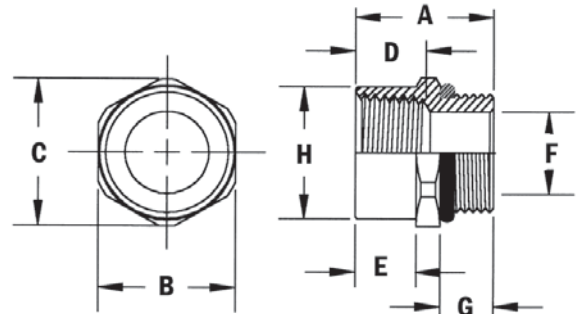
\*\*Contact Remke for mesh availability of this part number



# THREADED ADAPTERS



Tuff-Seal™ Threaded Adapters easily convert – or mate – one thread style with another. These adapters are offered with both internal and external threads that mate NPT with ISO Metric style fittings or NPT with Pg fittings. They are constructed of machined aluminum with electroless-nickel plating for enhanced protection against corrosion, friction and contamination. The threaded adapters also incorporate a BUNA-N O-Ring to provide a liquid-tight seal. This product family meets ASTM, MIL and AMS specifications.



## "M" (ISO) METRIC THREADED ADAPTERS

PART NUMBERS										
Part Number	External Thread	Internal Thread	A	B Hex	C	D	E	F Dia.	G	H Dia.
RAM-16M37F	M16 X 1.5	3/8 NPT	1.000	.875	.970	.400	.435	.455	.390	.830
RAM-16M50F	M16 X 1.5	1/2 NPT	1.000	1.000	1.090	.510	.445	.455	.390	.980
RAM-20M50F	M20 X 1.5	1/2 NPT	1.000	1.000	1.090	.510	.445	.610	.390	.980
RAM-25M50F	M25 X 1.5	1/2 NPT	1.000	1.250	1.375	.520	.400	.625	.390	1.180
RAM-25M75F	M25 X 1.5	3/4 NPT	1.000	1.250	1.375	.520	.400	.800	.390	1.180
RAM-32M75F	M32 X 1.5	3/4 NPT	1.000	1.375	1.530	.520	.400	.800	.390	1.180
RAM-32M100F	M32 X 1.5	1 NPT	1.250	1.437	1.600	.680	.635	.990	.390	1.430
RAM-32M125F	M32 X 1.5	1-1/4 NPT	1.280	2.000	2.220	.700	.635	.937	.390	1.850
RAM-40M100F	M40 X 1.5	1 NPT	1.250	2.000	2.220	.680	.635	1.060	.390	1.430
RAM-40M125F	M40 X 1.5	1-1/4 NPT	1.280	2.000	2.220	.700	.635	1.320	.390	1.850
RAM-50M150F	M50 X 1.5	1-1/2 NPT	1.280	2.250	2.475	.700	.635	1.500	.390	2.190

## PG THREADED ADAPTERS

PART NUMBERS										
Part Number	External Thread	Internal Thread	A	B Hex	C	D	E	F Dia.	G	H Dia.
RAPG-11M37F	PG 11	3/8 NPT	1.000	1.000	.970	.400	.435	.455	.390	.830
RAPG-11M50F	PG 11	1/2 NPT	1.000	1.000	1.090	.510	.445	.485	.390	.980
RAPG-13.5M50F	PG 13.5	1/2 NPT	1.000	1.000	1.090	.510	.445	.610	.390	.980
RAPG-16M50F	PG 16	1/2 NPT	1.000	1.000	1.090	.510	.445	.610	.390	.980
RAPG-21M50F	PG 21	1/2 NPT	1.000	1.250	1.375	.510	.445	.865	.390	.980
RAPG-21M75F	PG 21	3/4 NPT	1.000	1.250	1.375	.520	.400	.865	.390	1.180
RAPG-29M100F	PG 29	1 NPT	1.250	1.562	1.720	.680	.635	.990	.390	1.480
RAPG-29M125F	PG 29	1-1/4 NPT	1.280	2.000	2.220	.700	.635	1.140	.390	1.850
RAPG-36M125F	PG 36	1-1/4 NPT	1.280	2.000	2.220	.700	.635	1.290	.390	1.850
RAPG-36M150F	PG 36	1-1/2 NPT	1.280	2.000	2.220	.700	.635	1.500	.390	2.190
RAPG-42M125F	PG 42	1-1/4 NPT	1.280	2.250	2.220	.700	.635	1.500	.390	2.190
RAPG-42M150F	PG 42	1-1/2 NPT	1.280	2.250	2.475	.700	.635	1.500	.390	2.190





# DRAIN FITTINGS

## DRAIN FITTINGS

Condensation within an electrical enclosure is a common and potentially dangerous occurrence. To fight this problem, Remke Drain Fittings are installed at the bottom of the enclosures or in a lower section of the conduit system to drain away moisture caused by condensation. These fittings provide continuous ventilation for the prevention and/or release of condensation when properly installed in the appropriate location.

Offered in 1/2 and 3/4 inch NPT sizes, Remke Drain Fittings are precision machined of high-quality stainless steel, steel or aluminum to assure a long service life. These drain fittings are also installed in hubs or drilled & tapped openings and are easy to remove and install for maintenance.

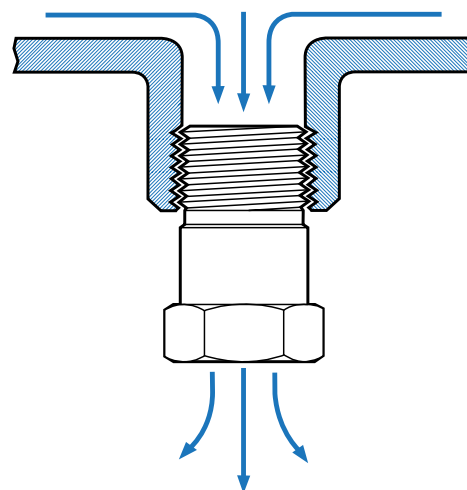


## SPECIFICATIONS

Enclosure	NEMA 3R
UL Standard	514B
Standard Materials	Bodies & nuts - aluminum, steel or stainless steel Screen - stainless steel
Country of Origin	USA

## ORDERING CHART

DRAIN FITTINGS		
Thread Size	Material	Part Number
1/2 NPT	Aluminum	RDC50A
1/2 NPT	Steel	RDC50S
1/2 NPT	Stainless Steel	RDC50SS
3/4 NPT	Aluminum	RDC75A
3/4 NPT	Steel	RDC75S
3/4 NPT	Stainless Steel	RDC75SS



## DRAIN FITTINGS

Drain Fittings are usually installed at the bottom of the cord grip/ enclosure to drain moisture caused by condensation.





# SOLAR LIQUIDTIGHT CORD GRIPS



## SPECIFICATIONS

<b>Material</b>	Nylon 6/6 with TPE Sealing Glands
<b>Temperature Range</b>	Static -40°F to 239°F (-40°C to 115°C) Dynamic -4°F to 212°F (-20°C to 100°C)
<b>Flammability Rating</b>	94-V2
<b>IP Rating</b>	IP68

## CERTIFICATIONS



UL File #E51579



Recognized under the UL Component Program File #E51579 to both US & Canadian requirements



Certified by the Canadian Standards Association File #93876

CORD CONNECTORS

WIRE MESH GRIPS

PICO-LINK

MICRO-LINK

ETHERLINK

MINI-LINK

MULTI-PORT BOXES

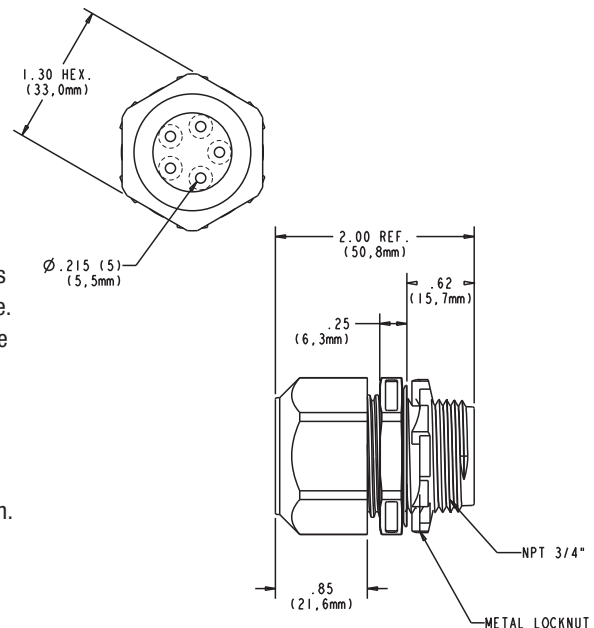
BUS SYSTEM PRODUCTS

## HELIO-SEAL™ SOLAR LIQUIDTIGHT CORD GRIPS

Remke Helio-Seal Liquidtight Cord Grips can be used for solar rooftop installations in place of, or in conjunction with rooftop combiner boxes for faster connector and lower installed cost. Designed for use with 12 and 10 AWG USE-2 or 12 and 10 AWG 1000V PV wire, these cord grips provide a watertight seal for PV module output leads to inverters and are easily threaded into an adapter that allows them to be attached directly to rigid (PVC) or EMT-type conduit.

Helio-Seal Cord Grips feature skinned-over glands (a thin Santoprene membrane-gland covering) that allows the user to choose from 1 to 13 wires by simply piercing the wire through the number of dimples on the membrane. Regardless of how many wires the user chooses to use, the gland around the wires will retain a liquid tight seal. These cord grips also feature an Integral Sealing Ring that provides a superior seal at the clearance or threaded mounting hole location.

The design of the Helio-Seal cord grips also features generous wrenching flats that allow for ease of assembly & require no disassembly for installation. Available in 3/8" to 2" NPT, these cord grips are constructed of UV resistant nylon with a TPE sealing gland to resist salt water, weak acids, gasoline, alcohol, oil, grease and common solvents.



## GLAND CONFIGURATION

CONDUCTORS				A - CLEARANCE HOLE DIA.		B - MAX O.A. LENGTH		C - THREAD LENGTH		WRENCHING D - THICKNESS		NUT E - FLAT SIZE		
Size (mm)	Wire Type	No. of Holes	Catalog Number	NPT	inches	mm	inches	mm	inches	mm	inches	mm	inches	mm
5.5	USE-2	5	RHG-206	3/4	1.040	26.4	2.00	50.8	0.62	15.7	0.25	6.4	1.30	33.0
		9	RHG-306	1	1.326	33.8	2.41	61.2	0.76	19.3	0.30	7.6	1.73	43.9
		13	RHG-406	1 1/4	1.680	42.7	2.69	68.3	0.78	19.8	0.30	7.6	2.05	52.1
		21	RHG-506	1 1/2	1.920	48.8	2.81	71.3	0.76	19.3	0.36	9.1	2.48	63.0
		31	RHG-606	2	2.400	60.8	2.93	74.3	0.79	20.1	0.42	10.7	2.75	69.9
5.6	USE-2	3	RHG-106	LL 1/2	0.875	22.2	1.68	42.7	0.44	11.2	0.25	6.4	1.06	27.0
7.7	PV 1000 OR USE-2**	3	RHG-207	3/4	1.040	26.4	2.00	50.8	0.62	15.7	0.25	6.4	1.30	33.0
		5	RHG-307	1	1.326	33.8	2.41	61.2	0.76	19.3	0.30	7.6	1.73	43.9
		9	RHG-407	1 1/4	1.680	42.7	2.69	68.3	0.78	19.8	0.30	7.6	2.05	52.1
		11	RHG-507	1 1/2	1.920	48.8	2.81	71.3	0.76	19.3	0.36	9.1	2.48	63.0
		19	RHG-607	2	2.400	60.8	2.93	74.3	0.79	20.1	0.42	10.7	2.75	69.9
8.9	PV 1000	7	RHG-408	1 1/4	1.680	42.7	2.69	68.3	0.78	19.8	0.30	7.6	2.05	52.1
		9	RHG-508	1 1/2	1.920	48.8	2.81	71.3	0.76	19.3	0.36	9.1	2.48	63.0
		12	RHG-608	2	2.400	60.8	2.93	74.3	0.79	20.1	0.42	10.7	2.75	69.9

NOTE: Provided with assembled metal locknut \* AWG 10 and 12 for both USE-2 and PV 1000 \*\* For 8 AWG USE-2 Wire





# RSF SERIES ALUMINUM FESTOON CABLE CONNECTORS



## RSF SERIES ALUMINUM FESTOON CABLE CONNECTORS

Tuff-Seal™ RSF Festoon Cable Connectors are specially designed for heavy-duty, flat cable or festoon system applications. Unique to the U.S. market, these cord grips are used in place of the traditional two-screw connector at the critical point of termination between the plant environment and the internal wiring of the festoon system.

Benefits of the Festoon Cable Connector include:

- Termination with both mechanical & environmental integrity which minimizes the incidence of disconnected power
- Available in machined aluminum, steel, stainless steel or nylon to meet specific application needs
- Placing multiple cables through one connector saving both labor time and cost – eliminates the need for multiple terminations & connectors.

Manufactured for use in both indoor and outdoor locations, Tuff Seal Festoon Cable Connectors provide a liquid-tight seal that keeps out dirt, moisture, coolants, lubricant and corrosives. Meeting NEMA standards, these grips are available with either M style (ISO), Pg or NPT threads. And they can be customized based on the number of conductors needed for a specific application.

### NOTES

#### CORD GRIP ACCESSORIES

Locknuts: add "-L" to any part number

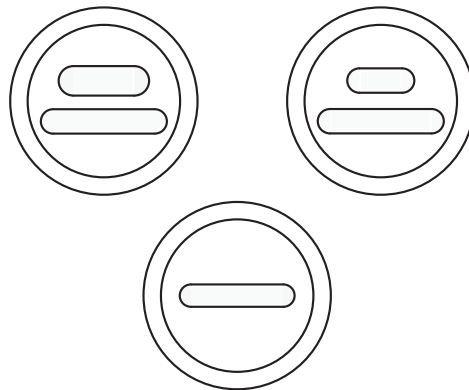
O-Rings: add "-R" to any part number

#### SPECIAL CONFIGURATIONS

Special configurations and materials are available. Consult factory.

Other thread and body configurations available. Consult factory.

Threads can be supplied as M style (ISO), Pg or NPT.



# RSF SERIES ALUMINUM FESTOON CABLE CONNECTORS

COMPLETE ASSEMBLY PART NUMBERS						
Conduit Size	Complete Assembly	Body, Nut, Washer Assembly	Bushing Only	Bushing Dimensions		Number of Holes
1"	RSF-3001	RSR-300-W	SBF-3001	.660 X .240	—	1
	RSF-3002	RSR-300-W	SBF-3002	.750 X .250	—	1
	RSF-3003	RSR-300-W	SBF-3003	.890 X .290	—	1
1 1/4"	RSF-4001	RSR-400-W	SBF-5001	1.190 X .350	—	1
	RSF-4002	RSR-400-W	SBF-5002	1.370 X .250	—	1
	RSF-4003	RSR-400-W	SBF-5003	1.240 X .240	—	1
	RSF-4004	RSR-400-W	SBF-5004	1.130 X .220	—	1
	RSF-4005	RSR-400-W	SBF-5005	1.240 X .240	1.240 X .240	2
	RSF-4006	RSR-400-W	SBF-5006	1.130 X .220	1.130 X .220	2
	RSF-4007	RSR-400-W	SBF-5007	.660 X .240	1.130 X .220	2
	RSF-4008	RSR-400-W	SBF-5008	.660 X .240	1.240 X .240	2
	RSF-4009	RSR-400-W	SBF-5009	.890 X .290	1.130 X .220	2
	RSF-4010	RSR-400-W	SBF-5010	.890 X .290	1.240 X .240	2
	RSF-4011	RSR-400-W	SBF-5011	.750 X .250	1.130 X .220	2
	RSF-4012	RSR-400-W	SBF-5012	.750 X .250	1.240 X .240	2
1 1/2"	RSF-5001	RSR-500-W	SBF-5001	1.190 X .350	—	1
	RSF-5002	RSR-500-W	SBF-5002	1.370 X .250	—	1
	RSF-5003	RSR-500-W	SBF-5003	1.240 X .240	—	1
	RSF-5004	RSR-500-W	SBF-5004	1.130 X .220	—	1
	RSF-5005	RSR-500-W	SBF-5005	1.240 X .240	1.240 X .240	2
	RSF-5006	RSR-500-W	SBF-5006	1.130 X .220	1.130 X .220	2
	RSF-5007	RSR-500-W	SBF-5007	.660 X .240	1.130 X .220	2
	RSF-5008	RSR-500-W	SBF-5008	.660 X .240	1.240 X .240	2
	RSF-5009	RSR-500-W	SBF-5009	.890 X .290	1.130 X .220	2
	RSF-5010	RSR-500-W	SBF-5010	.890 X .290	1.240 X .240	2
	RSF-5011	RSR-500-W	SBF-5011	.750 X .250	1.130 X .220	2
	RSF-5012	RSR-500-W	SBF-5012	.750 X .250	1.240 X .240	2
	RSF-5013	RSR-500-W	SBF-5013	1.500 X .469	—	1
	RSF-5014	RSR-500-W	SBF-5014	1.150 X .484	—	1
	RSF-5015	RSR-500-W	SBF-5015	1.415 X .265	—	1
	RSF-5016	RSR-500-W	SBF-5016	.705 X .250	.705 X .250	2
2"	RSF-6001	RSR-600-W	SBF-6001	1.710 X .500	—	1
	RSF-6002	RSR-600-W	SBF-6002	1.460 X .450	—	1
	RSF-6003	RSR-600-W	SBF-6003	1.770 X .240	—	1
	RSF-6004	RSR-600-W	SBF-6004	1.650 X .220	—	1
	RSF-6005	RSR-600-W	SBF-6005	1.770 X .240	1.770 X .240	2
	RSF-6006	RSR-600-W	SBF-6006	1.650 X .220	1.650 X .220	2
	RSF-6007	RSR-600-W	SBF-6007	1.370 X .250	1.370 X .250	2
	RSF-6009	RSR-600-W	SBF-6009	1.750 X .625	—	1
	RSF-6010	RSR-600-W	SBF-6010	1.500 X .469	1.125 X .265	2
	RSF-6011	RSR-600-W	SBF-6011	.900 X .300	1.750 X .250	2
	RSF-6013	RSR-600-W	SBF-6013	1.500 X .469	—	1
	RSF-6029	RSR-600-W	SBF-6029	.990 X 1.630	—	1
2 1/2"	RSF-7001	RSR-700-W	SBF-7001	2.500 X .750	—	1
	RSF-7002	RSR-700-W	SBF-7002	2.180 X .300	—	1

NOTE: Numerous other configurations are available as stock items. Consult factory.

CORD CONNECTORS

WIRE MESH GRIPS

PICO-LINK

MICRO-LINK

ETHERLINK

MINI-LINK

MULTI-PORT BOXES

BUS SYSTEM PRODUCTS





# MULTIPLE HOLE BUSHINGS



The Remke family of Multiple Hole Bushings are the answer when multiple conductors need to be terminated into one fitting. With over 300 configurations available, when you use Remke multiple hole bushings you'll save both money and space by using a single bushing and cord connector instead of separate cord grips for each length of cable.

Remke Multiple Hole Bushings are also available in Silicone. Silicone rubber is used in a variety of industries for its extreme temperature properties and chemical resistance. Silicone is an excellent electrical insulator and its composition makes it highly resistant to ozone, UV and heat. Industries that benefit from silicone rubbers include automotive, medical devices, aviation and aerospace, electronics, construction and industrial.

Any of our Multiple Hole Bushings can fit into any standard Remke cord connector made from aluminum, nickel-plated aluminum, steel, stainless steel, nylon or Valox®. Standard bushings are made from Neoprene but optional materials include silicone for high-temperature applications.

Customized Multiple Hole Bushings are also available. The Remke Engineered Solutions team will work with you to develop the bushing that is best suited for your application.

## MULTIPLE HOLE BUSHINGS

PART NUMBERS				
Bushing Only Part Number	Form Size	Number of Holes	Diameter Each Hole (IN)	Conduit Size
SRB-100-UF1	2	1	Oval - .425 x .225	1/2" or 3/4"
SRB-100-UF2	2	1	Oval - .610 x .225	1/2" or 3/4"
SRB-103-2	2	2	.187	1/2" or 3/4"
SRB-104-2	2	2	.250	1/2" or 3/4"
SRB-104-3	2	3	.250	1/2" or 3/4"
SRB-10532-2	2	2	.156	1/2" or 3/4"
SRB-10532-3	2	3	.156	1/2" or 3/4"
SRB-10532-4	2	4	.156	1/2" or 3/4"
SRB-10564-2	2	2	.078	1/2" or 3/4"
SRB-10732-2	2	2	.218	1/2" or 3/4"
SRB-10732-3	2	3	.218	1/2" or 3/4"
SRB-10932-2	2	2	.281	1/2" or 3/4"
SRB-201764-2	3	2	.265	1/2" or 3/4"
SRB-201764-3	3	3	.265	1/2" or 3/4"
SRB-201964-2	3	2	.296	1/2" or 3/4"
SRB-201964-3	3	3	.296	1/2" or 3/4"
SRB-201964-4	3	4	.296	1/2" or 3/4"
SRB-202164-2	3	2	.328	1/2" or 3/4"
SRB-203-4	3	4	.187	1/2" or 3/4"
SRB-204-2	3	2	.250	1/2" or 3/4"
SRB-204-3	3	3	.250	1/2" or 3/4"
SRB-204-4	3	4	.250	1/2" or 3/4"
SRB-205-2	3	2	.312	1/2" or 3/4"
SRB-20516-3	3	3	.312	1/2" or 3/4"
SRB-20732-2	3	2	.218	1/2" or 3/4"
SRB-20732-4	3	4	.218	1/2" or 3/4"
SRB-20932-3	3	3	.281	1/2" or 3/4"
SRB-300-3SP1	4	3	.300	3/4" or 1"
SRB-300-3SP2	4	3	.225	3/4" or 1"
SRB-300-4SP1	4	4	.220	3/4" or 1"
SRB-300-4SP2	4	4	.340	3/4" or 1"
SRB-301964-2	4	2	.296	3/4" or 1"
SRB-301964-4	4	4	.296	3/4" or 1"
SRB-301964-5	4	5	.296	3/4" or 1"
SRB-303-3	4	3	.187	3/4" or 1"
SRB-303-4	4	4	.187	3/4" or 1"
SRB-304-5	4	5	.250	3/4" or 1"
SRB-305-3	4	3	.312	3/4" or 1"
SRB-306-2	4	2	.375	3/4" or 1"
SRB-500-2	5	2	.500/.375	1" or 1-1/4" or 1-1/2"
SRB-506-3	5	3	.375	1" or 1-1/4" or 1-1/2"
SRB-508-2	5	2	.500	1" or 1-1/4" or 1-1/2"
SRB-509-3	5	3	.562	1" or 1-1/4" or 1-1/2"
SRB-510-2	5	2	.625	1" or 1-1/4" or 1-1/2"

NOTE: Numerous other configurations are available as stock items. Consult factory.



# REMKE CUSTOM BUSHING DESIGN GUIDE

## BUSHING SIZE – CONNECTOR MATERIAL MATRIX

Based on conduit size and material of construction, custom bushings can fit into all or some of the Remke cord connectors. This matrix will help you determine what is available.

Conduit Size	Bushing Series	Aluminum and Nickel-Plated Aluminum	Steel	Stainless Steel	Nylon and Valox
1/2"	100	X	X	X	X
3/4"	200	X	X	X	X
1"	300	X	X	X	—
1 1/4"	500	X	X	X	—
1 1/2"	500	X	X	X	—
2"	600	X	—	X	—
2 1/2" OR 3"	700	X	—	X	—

### HOW TO ORDER A COMPLETE ASSEMBLY

**Step 1:** Determine the bushing series size you need by laying out multiple conductors in the circles below which represent each size. This process will also help you determine the conduit size.

**Step 2:** Determine what connector material best suits your application and use the matrix chart to confirm that the bushing fits with the desired connector size and material.

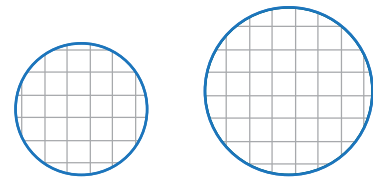
### CREATING A FULL ASSEMBLY PART NUMBER FOR EXISTING BUSHINGS

Once you have identified the custom bushing needed, to create a full assembly part number you will need to substitute the prefix of the material of construction you want for the prefix in the bushing only part number.

Material Prefix:

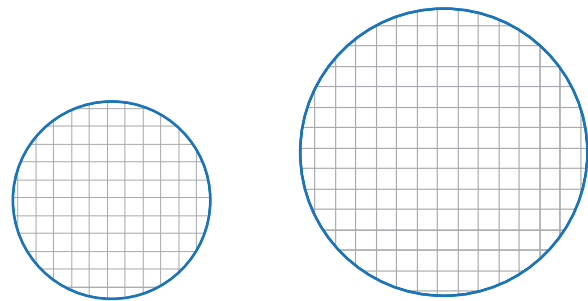
- RSR: Aluminum
- RSRN: Nickel-Plated Aluminum
- RSRS: Steel
- RSSS: Stainless Steel
- RSP: Nylon
- RSPV: Valox

Example: The part number for Bushing SRB-104-2 as a complete assembly to fit into an aluminum cord connector would be RSR-104-2. To fit into a nylon connector, the part number for Bushing SRB-104-2 would be RSP-104-2.



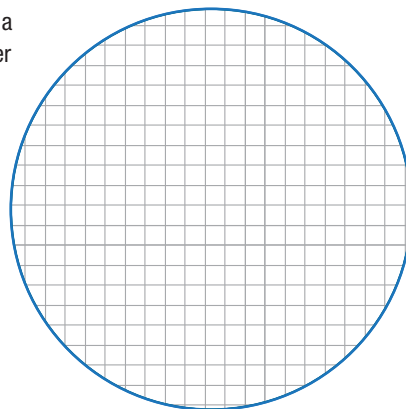
100

200

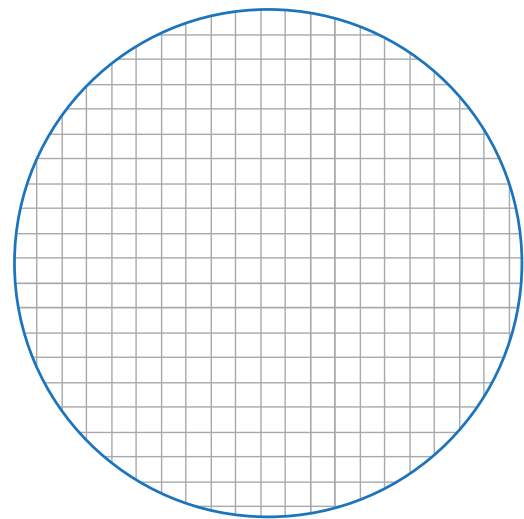


300

400/500



600



700

CORD CONNECTORS

WIRE MESH GRIPS

PICO-LINK

MICRO-LINK

ETHERLINK

MINI-LINK

MULTI-PORT BOXES

BUS SYSTEM PRODUCTS





# DOME CAP™ CABLE GLANDS

Remke Dome Cap Cable Glands provide easy handling, quick installation, impact and abrasion resistance even at very low temperatures. These cable glands are designed to withstand the rigors of continuous flexing and bending with ease and can be used with a wide range of cables for strain relief both indoors and outdoors.

Dome Cap Cable Glands are rated IP68 making them suitable for use underwater to 170 feet - ideal for submersible applications as well as pumps, fountains and marine use. Exceeding NEMA 6 specifications, the expanded family of Dome Cap Cable Glands includes:

- Standard Nylon Connectors available in a wide range of sizes with either NPT, Pg or ISO Metric threads.
- Newly designed GEN 4 EMC cable glands provide easy insertion of cable from either side without damaging cable shield. Features 6 internal 'fingers' (or tines) with larger contact surfaces that allows low contact resistance on woven cable braids and foil shields.
- Spiral-Flex Extended Connector offers greater support and arc of bend preventing sharp bends or kinks in cable, and for additional damage protection from moving machinery or machine parts.
- Nickel-Plated Brass Connectors in a variety of thread styles including NPT, ISO/Metric and Pg that are ideal for use in a wide variety of applications including corrosive and industrial environments.
- 90 Degree Snap Elbow non-metallic cable gland with NPT threads.
- Ventilation Plugs reduce the adverse affects of humidity in the environment by preventing pressure increase inside the enclosure and limiting temperature increase through air circulation. Vent plugs are permeable to gases and vapors but impermeable to liquids and dust.
- Accessories including O-Rings, Locknuts and Blind Stop Plugs.

Dome Cap Cable Glands are easy to install in either clearance or threaded holes. You simply insert the cord and tighten the "dome-nut" to create a tight seal and relieve any strain on the cable. And no disassembly is required.



## SPECIFICATIONS

NeMA Rating	Exceeds NEMA 6
Protection Class	IP68
Working Temperature Range	Non-Metallic: -20°C to +80°C Metallic: -20°C to +100°C
Non-Metallic	-20°C to +80°C Metallic: -20°C to +100°C
Max Temperature	Up to 150°C intermittent
Water Pressure	Withstands up to 70 psi
Sealing Ring	Neoprene
O Ring	NBR (Buna N, Nitrile)
Vibration Resistance	Dome Cap utilizes a flying buttress design to ensure protection against vibration even under extreme conditions
Chemical Resistance	Alcohols, animal oil, aromatic hydrocarbons, benzene, common solvents, esters, ethers, fluorinated hydrocarbons, gasoline, grease, ketones, mineral oil, motor fuels, petroleum oils, salt water, trichloroethylene, vegetable oils, weak acids and weak alkali solutions

## DOME CAP CABLE GLANDS ARE IDEAL FOR USE IN THESE INDUSTRIES

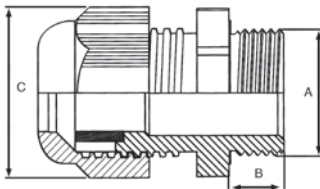
Dairy	Food & Beverage
Pharmaceutical	Petrochemical
General Industrial	Automotive
Robotics	Medical
Packaging	Automation
Marine	Telecommunications





### SPECIFICATIONS

<b>Materials</b>	Polyamide
<b>Sealing Ring</b>	Neoprene
<b>Protection Class</b>	IP68
<b>Clamping Insert</b>	Polyamide 6
<b>O Ring</b>	NBR (Buna N, Nitrile)
Available in Black and Gray	



## DOMESTIC CAP NON-METALLIC CABLE GLANDS

Dome Cable Glands	Locking Nuts	Cable Range (in.)	Thread Type & Size	Clearance hole (in.) (A)	Thread Length (in.) (B)	Across Flats (in.) (C)
<b>PG THREADS</b>						
RD07AA	RLP07	.11 - .26	PG 7	0.52	0.32	0.59
RD09AA	RLP07	.15 - .32	PG 9	0.63	0.32	0.75
RD09AR	RLP09	.07 - .24	PG 9	0.63	0.32	0.75
RD11AA	RLP11	.19 - .39	PG 11	0.75	0.32	0.87
RD11AR	RLP11	.11 - .28	PG 11	0.75	0.32	0.87
RD13AA	RLP13	.23 - .47	PG 13.5	0.83	0.35	0.94
RD13AR	RLP13	.19 - .35	PG 13.5	0.83	0.35	0.94
RD16AA	RLP16	.39 - .55	PG 16	0.91	0.39	1.06
RD16AR	RLP16	.27 - .47	PG 16	0.91	0.39	1.06
RD21AA	RLP21	.51 - .71	PG 21	1.14	0.43	1.30
RD21AR	RLP21	.35 - .63	PG 21	1.14	0.43	1.30
RD29AA	RLP29	.70 - .98	PG 29	1.46	0.43	1.65
RD29AR	RLP29	.47 - .79	PG 29	1.46	0.43	1.65
<b>NPT THREADS</b>						
RD09NA	RLN09-BK	.19 - .39	3/8" NPT	0.67	0.59	0.87
RD09NR	RLN09-BK	.12 - .28	3/8" NPT	0.67	0.59	0.87
RD13NA	RLN13-BK	.23 - .47	1/2" NPT	0.86	0.59	0.94
RD13NR	RLN13-BK	.19 - .35	1/2" NPT	0.86	0.59	0.94
RD16NA	RLN13-BK	.39 - .55	1/2" NPT	0.86	0.59	1.06
RD16NR	RLN13-BK	.27 - .47	1/2" NPT	0.86	0.59	1.06
RD21NA	RLN21-BK	.51 - .71	3/4" NPT	1.09	0.59	1.30
RD21NR	RLN21-BK	.35 - .63	3/4" NPT	1.09	0.59	1.30
RD29NA	RLN29-BK	.70 - .98	1" NPT	1.36	0.70	1.65
RD29NR	RLN29-BK	.47 - .79	1" NPT	1.36	0.70	1.65
<b>ISO/METRIC THREADS</b>						
RD16MA	RLM16	.19 - .39	M16 X 1.5	0.63	0.39	0.86
RD20MA	RLM20	.39 - .55	M20 X 1.5	0.79	0.39	0.94
RD20MR	RLM20	.24 - .47	M20 X 1.5	0.79	0.39	0.94
RD25MA	RLM25	.51 - .70	M25 X 1.5	0.98	0.39	1.30
RD25MR	RLM25	.35 - .55	M25 X 1.5	0.98	0.39	1.30
RD32MA	RLM32	.63 - .98	M32 X 1.5	1.25	0.70	1.65
RD40MA	RLM40	.86 - 1.26	M40 X 1.5	1.57	0.70	2.08

Black: add suffix "-BK" to part number • Gray: add suffix "-GY" to part number. For fully assembled cable gland with O-Ring and Locknut add "-R" for O-Ring and "-N" for locknut after the last suffix

CORD CONNECTORS

WIRE MESH GRIPS

PICO-LINK

MICRO-LINK

ETHERLINK

MINI-LINK

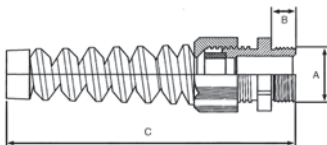
MULTI-PORT BOXES

BUS SYSTEM PRODUCTS



### SPECIFICATIONS

<b>Materials</b>	Polyamide
<b>Sealing Ring</b>	Neoprene
<b>Protection Class</b>	IP68
<b>Clamping Insert</b>	Polyamide 6
<b>O Ring</b>	NBR (Buna N, Nitrile)
Black is Standard Color	



## DOMESTIC CAP SPIRAL-FLEX CABLE GLANDS

Dome Cable Glands	Locking Nuts	Cable Range (in.)	Thread Type & Size	Across Flats (in.)	Clearance hole (in.) (A)	Thread Length (in.) (B)	Height (in.) (C)
<b>PG THREADS</b>							
RF09AA-BK	RLP09-BK	.15 - .32	PG 9	0.75	0.63	0.32	2.72
RF09AR-BK	RLP09-BK	.07 - .24	PG 9	0.75	0.63	0.32	2.72
RF11AA-BK	RLP11-BK	.19 - .39	PG 11	0.87	0.75	0.32	3.25
RF11AR-BK	RLP11-BK	.11 - .28	PG 11	0.87	0.75	0.32	3.25
RF13AA-BK	RLP13-BK	.23 - .47	PG 13.5	0.94	0.83	0.35	3.70
RF13AR-BK	RLP13-BK	.19 - .35	PG 13.5	0.94	0.83	0.35	3.70
RF16AA-BK	RLP16-BK	.39 - .56	PG 16	1.06	0.91	0.39	4.17
RF16AR-BK	RLP16-BK	.27 - .47	PG 16	1.06	0.91	0.39	4.17
RF21AA-BK	RLP21-BK	.51 - .71	PG 21	1.30	1.14	0.43	4.61
RF21AR-BK	RLP21-BK	.35 - .63	PG 21	1.30	1.14	0.43	4.61
<b>NPT THREADS</b>							
RF09NA-BK	RLN09-BK	.19 - .39	3/8" NPT	0.87	0.67	0.59	3.17
RF09NR-BK	RLN09-BK	.12 - .28	3/8" NPT	0.87	0.67	0.59	3.17
RF13NA-BK	RLN13-BK	.23 - .47	1/2" NPT	0.94	0.86	0.59	3.72
RF13NR-BK	RLN13-BK	.19 - .35	1/2" NPT	0.94	0.86	0.59	3.72
RF16NA-BK	RLN13-BK	.39 - .56	1/2" NPT	1.06	0.86	0.59	4.17
RF16NR-BK	RLN13-BK	.28 - .47	1/2" NPT	1.06	0.86	0.59	4.17
RF21NA-BK	RLN21-BK	.51 - .71	3/4" NPT	1.30	1.09	0.59	4.61
RF21NR-BK	RLN21-BK	.35 - .63	3/4" NPT	1.30	1.09	0.59	4.61

For fully assembled cable gland with O-Ring and Locknut add "-R" for O-Ring and "-N" for locknut after the last suffix





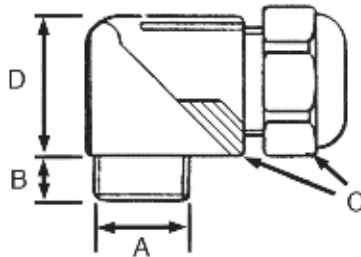
# DOME CAP™ CABLE GLANDS (CONTINUED)



### SPECIFICATIONS

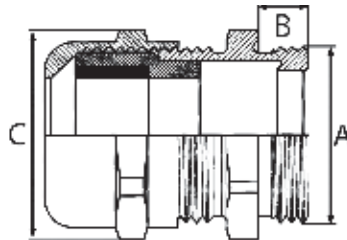
Materials	Polyamide 6
Sealing Ring	Neoprene
Protection Class	IP68
Clamping Insert	Polyamide 6
O Ring	NBR (Buna N, Nitrile)
Black is Standard Color	

## DOME CAP 90° SNAP ELBOW NON-METALLIC CABLE GLANDS WITH NPT THREADS



Dome Cable Glands	Locking Nuts	Cable Range (in.)	Thread Type & Size	Clearance hole (in.) (A)	Thread Length (in.) (B)	Across Flats (in.) (C)	Height (in.) (D)
<b>NPT THREADS</b>							
RE13NS	RLN13-BK	.11 - .27	1/2" NPT	0.82	0.75	0.94	1.20
RE13NR	RLN13-BK	.20 - .35	1/2" NPT	0.82	0.75	0.94	1.20
For fully assembled cable gland with Locknut add -N after the last suffix							

## DOME CAP NICKEL-PLATED BRASS CABLE GLANDS



### SPECIFICATIONS

Materials	Brass, Nickel-Plated
Sealing Ring	Neoprene
Protection Class	IP68
Clamping Insert	Polyamide 6
O Ring	NBR (Buna N, Nitrile)

Dome Cable Glands	Locking Nuts	Cable Range (in.)	Thread Type & Size	Clearance hole (in.) (A)	Thread Length (in.) (B)	Across Flats (in.) (C)
<b>PG THREADS</b>						
BR09AA	RLP09-BR	.16 - .31	PG 9	0.63	0.24	0.67
BR11AA	RLP11-BR	.20 - .39	PG 11	0.75	0.24	0.79
BR13AA	RLP13-BR	.24 - .47	PG 13.5	0.83	0.26	0.87
BR16AA	RLP16-BR	.39 - .55	PG 16	0.91	0.26	0.94
BR21AA	RLP21-BR	.51 - .71	PG 21	1.14	0.28	1.18
BR29AA	RLP29-BR	.71 - .98	PG 29	1.46	0.31	1.57
<b>NPT THREADS</b>						
BR09NA	LN-38	.15 - .32	3/8" NPT	0.63	0.45	0.67
BR13NA	LN-50	.24 - .47	1/2" NPT	0.83	0.51	0.87
BR21NA	LN-75	.51 - .71	3/4" NPT	1.14	0.51	1.18
<b>ISO/METRIC THREADS</b>						
BRM16AA	RLM16-BR	.16 - .31	M16 X 1.5	0.63	0.28	0.71
BRM20AA	RLM20-BR	.24 - .47	M20 X 1.5	0.79	0.31	0.87
BRM25AA	RLM25-BR	.39 - .55	M25 X 1.5	0.98	0.31	1.06
BRM32AA	RLM32-BR	.51 - .71	M32 X 1.5	1.26	0.35	1.34
BRM40AA	RLM40-BR	.71 - .98	M40 X 1.5	1.57	0.35	1.69
For fully assembled cable gland with Locknut add -N after the last suffix						





### SPECIFICATIONS

Materials	Brass, Nickel-Plated
Clamping Insert	Polyamide 6 V2
Contact Spring	Special Copper Alloy
Protection Class	IP68 - 5 Bar
Seal	Chloroprene
O-Ring	NBR
Attachment Thread	EN60423

CORD CONNECTORS

WIRE MESH GRIPS

PICO-LINK

MICRO-LINK

ETHERLINK

MINI-LINK

MULTI-PORT BOXES

BUS SYSTEM PRODUCTS

## DOME CAP STANDARD EMC CABLE GLANDS WITH METRIC OR NPT THREADS



Dome Cable Glands	Locknuts	Thread Type & Size	Clearance Hole (inches)	Thread Length (inches)	Across Flats (inches)	Cable Range Ø (inches/min-max)	Shield Diameter Ø (inches/min-max)
<b>EMC/METRIC THREADS</b>							
BRM4E12	RLEM12	M12X1.5	0.47	0.24	0.55	.118 - .256	.078 - .197
BRM4E16	RLEM16	M16X1.5	0.63	0.24	0.79	.197 - .394	.138 - .314
BRM4E20-2S	RLEM20	M20X1.5	0.79	0.24	0.87	.236 - .472	.177 - .394
BRM4E20	RLEM20	M20X1.5	0.79	0.31	1.00	.295 - .551	.216 - .453
BRM4E25	RLEM25	M25X1.5	1.00	0.31	1.18	.394 - .709	.275 - .551
BRM4E32	RLEM32	M32X1.5	1.26	0.35	1.57	.630 - .984	.472 - .787
BRM4E40	RLEM40	M40X1.5	1.57	0.35	1.97	.866 - 1.260	.709 - 1.063
BRM4E50	RLEM50	M50X1.5	1.97	0.35	1.97	1.181 - 1.496	1.024 - 1.339
BRM4E60	RLEM63	M63X1.5	2.48	0.55	2.52	1.339 - 1.732	1.181 - 1.575
BRM4E63	RLEM63	M63X1.5	2.48	0.39	2.95	1.457 - 2.087	1.300 - 1.929

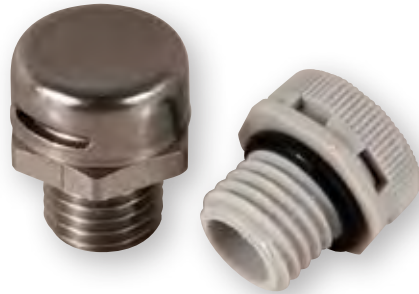
Dome Cable Glands	Thread Type & Size	Cable Range Ø (inches/min-max)	Shield Dia. Ø (inches/min-max)	Thread Length (inches)	Across Flats (inches)
<b>EMC/NPT THREADS</b>					
BRN4E13S	1/2" NPT	.236 - .472	.177 - .394	0.59	0.87
BRN4E13	1/2" NPT	.295 - .551	.216 - .453	0.59	0.94
BRN4E21	3/4" NPT	.394 - .709	.275 - .551	0.59	1.18
BRN4E29	1" NPT	.630 - .984	.472 - .787	0.79	1.58
BRN4E36	1 1/4" NPT	.866 - 1.260	.709 - 1.063	0.79	1.97
BRN4E42	1 1/2" NPT	1.180 - 1.496	1.024 - 1.338	0.87	2.28
BRN4E48	2" NPT	1.338 - 1.732	1.181 - 1.575	0.87	2.68

Hub Size	Steel	Aluminum
<b>OPTIONAL LOCKNUT PART NUMBERS</b>		
1/2" NPT	LN-50	LNA-50
3/4" NPT	LN-75	LNA-75
1" NPT	LN-100	LNA-100
1 1/4" NPT	LN-125	LNA-125
1 1/2" NPT	LN-150	LNA-150
2" NPT	LN-200	LNA-200





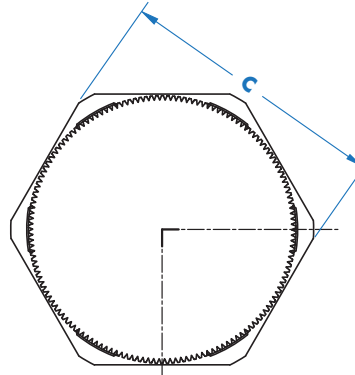
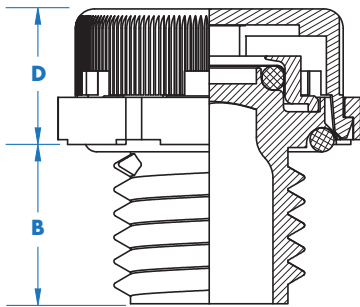
# DOME CAP™ PE VENT PLUGS



## SPECIFICATIONS

Housing Materials	PA6-V2 or Stainless Steel
Membrane Material	Acrylic co-polymer on nylon support
Membrane Feature	Hydrophobic - Oleophobic
Protection degree	IP68 (Refer to chart for pressure)
Protection Against Water Jet	IP69K
Air Flow Rates	Refer to the chart
Working Temperatures	40°C to +105°C
Available Membrane Permeability	S (standard) M (medium) H (high) UH (ultra high)
O-rings	Nitrile Rubber

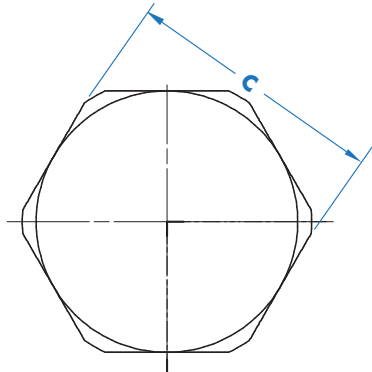
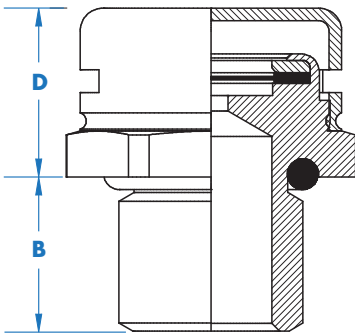
## POLYAMIDE DOME VENT PLUGS



Polyamide 6 Gray	Locknuts	Thread Size	Clearance hole (inches)	Thread Length (B) (inches)	Across Flats (C) (inches)	Head Height D (inches)	$\Delta P = 1 \text{ Psi} = 70 \text{ m Bar}$ . Average Air Permeability in liters per hour	Water Intrusion Pressure in Bar	Plug Type
RVP15-M12-NM	RLM12-GY	M12X1.5	0.492	0.236	0.669	0.295	16	0.9	A
RVP15-M12-NM-LT	RLM12-GY	M12X1.5	0.492	0.393	0.866	0.492	16	0.9	A

Option: Additional Thread Sizes and Permeability Levels, (Medium, High and Ultra High) are available upon request. Note: Locknuts are non-metallic

## STAINLESS STEEL DOME VENT PLUGS



Stainless Steel	Locknuts	Thread Size	Clearance hole (inches)	Thread Length (B) (inches)	Across Flats (C) (inches)	Head Height D (inches)	$\Delta P = 1 \text{ Psi} = 70 \text{ m Bar}$ . Average Air Permeability in liters per hour	Water Intrusion Pressure in Bar	Plug Type
RVP10-M12-SS-LT	RLM12-BR	M12X1.0	0.492	0.394	0.669	0.433	16	0.9	C
RVP15-M12-SS	RLM12-BR	M12X1.5	0.492	0.236	0.669	0.295	16	0.9	C
RVP15-M12-SS-LT	RLM12-BR	M12X1.5	0.492	0.394	0.669	0.433	16	0.9	C

Option: Additional Thread Sizes and Permeability Levels, (Medium, High and Ultra High) are available upon request. Note: Locknuts are nickel-plated brass



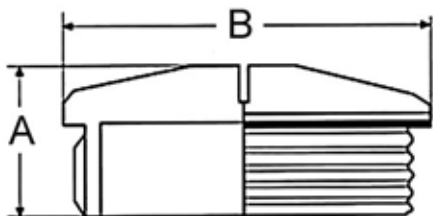
# DOME CAP™ BLIND STOP PLUGS



## SPECIFICATIONS

Materials Polyamide 6

## DOME CAP BLIND STOP PLUGS WITH PG OR ISO/METRIC THREADS



### PG THREADS

Dome Plugs	Color	Thread Type & Size	Height (A) (mm)	DIA. (B) (mm)
RBP09-GY	GRAY	PG 09	9.00	19.00
RBP11-GY	GRAY	PG 11	9.00	22.00
RBP13-GY	GRAY	PG 13.5	9.50	25.00
RBP16-GY	GRAY	PG 16	9.50	27.00
RBP21-GY	GRAY	PG 21	11.00	33.00
RBP29-GY	GRAY	PG 29	12.00	44.00

### ISO/METRIC THREADS

RBMP16-GY	GRAY	M16 X 1.5	6.00	20.00
RBMP20-GY	GRAY	M20 X 1.5	6.00	24.00
RBMP25-GY	GRAY	M25 X 1.5	8.00	30.00
RBMP32-GY	GRAY	M32 X 1.5	8.00	37.00

Note: Other sizes and colors available upon request. Minimums may apply

CORD CONNECTORS

WIRE MESH GRIPS

PICO-LINK

MICRO-LINK

ETHERLINK

MINI-LINK

MULTI-PORT BOXES

BUS SYSTEM  
PRODUCTS





# MC (METAL-CLAD) CABLE CONNECTORS



## PowR-Teck™ MC CABLE CONNECTORS

Made in the USA, Remke PowR-Teck MC Cable Connectors feature an exclusive one-piece design. Other manufacturers give you 4 or 5 pieces to assemble and if you lose one you're out of luck.....but not with Remke! When you choose the PowR-Teck connector you get the PowR-Teck™ one-piece design that's more compact in size. And no disassembly is required just push the cable through, tighten the connector and you're done.

PowR-Teck connectors are designed to form a watertight seal around the jacketed metal cable and at the enclosure entry. Rated NEMA 4 and IP65, these connectors are in-stock in 1/2" to 4" hub sizes in aluminum, nickel-plated aluminum and stainless steel. Design features of PowR-Teck connectors include:

- One-Piece Compact Design
- Unique PowR-Lock Grounding Seal for superior conductivity
- No Disassembly Required for easy and fast installations
- Neoprene bushing provides superior pull-out and sealing protection
- Embedded Buna-N O-Ring (Viton® available)

For locations classified as hazardous-duty, turn to page 44 for information about PowR-Teck Hazardous Duty Connectors available in aluminum, nickel-plated aluminum and stainless steel in hub sizes from 1/2" to 2".

The family of PowR-Teck MC Cable Connectors are ideal for use in these applications:

- Water Treatment and Sewage Treatment Plants
- Mining
- Pulp and Paper Plants
- Oil and Gas Facilities
- Petrochemical Plants
- Automotive Manufacturing and Assembly
- Power Generation/Power Plants
- Plastics Production and Container Manufacturing
- Grain Silos
- Temporary Power

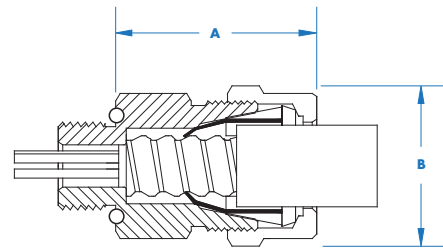


## COMPLETE ASSEMBLY PART NUMBERS

Hub Size NPT	Aluminum	Nickel-Plated Aluminum	Stainless Steel*
1/2"	RTK-050-1	RTKN-050-1	RTKSS-050-1
1/2"	RTK-050-2	RTKN-050-2	RTKSS-050-2
1/2"	RTK-050-3	RTKN-050-3	RTKSS-050-3
1/2"	RTK-050-4	RTKN-050-4	RTKSS-050-4
3/4"	RTK-075-5	RTKN-075-5	RTKSS-075-5
3/4"	RTK-075-6	RTKN-075-6	RTKSS-075-6
1"	RTK-100-7	RTKN-100-7	RTKSS-100-7
1 1/4"	RTK-125-8	RTKN-125-8	RTKSS-125-8
1 1/4"	RTK-125-9	RTKN-125-9	RTKSS-125-9
1 1/4"	RTK-125-10	RTKN-125-10	RTKSS-125-10
1 1/2"	RTK-150-11	RTKN-150-11	RTKSS-150-11
1 1/2"	RTK-150-12	RTKN-150-12	RTKSS-150-12
1 1/2"	RTK-150-13	RTKN-150-13	RTKSS-150-13
2"	RTK-200-14	RTKN-200-14	RTKSS-200-14
2"	RTK-200-15	RTKN-200-15	RTKSS-200-15
2"	RTK-200-16	RTKN-200-16	RTKSS-200-16
2"	RTK-200-17	RTKN-200-17	RTKSS-200-17
2"	RTK-200-18	RTKN-200-18	RTKSS-200-18
2 1/2"	RTK-250-19	RTKN-250-19	RTKSS-250-19
2 1/2"	RTK-250-20	RTKN-250-20	RTKSS-250-20
3"	RTK-300-21	RTKN-300-21	RTKSS-300-21
3"	RTK-300-22	RTKN-300-22	RTKSS-300-22
3"	RTK-300-23	RTKN-300-23	RTKSS-300-23
3 1/2"	RTK-350-24	RTKN-350-24	RTKSS-350-24
3 1/2"	RTK-350-25	RTKN-350-25	RTKSS-350-25
3 1/2"	RTK-350-26	RTKN-350-26	RTKSS-350-26
4"	RTK-400-27	RTKN-400-27	RTKSS-400-27
4"	RTK-400-28	RTKN-400-28	RTKSS-400-28
4"	RTK-400-29	RTKN-400-29	RTKSS-400-29

\*NEMA 4X rated

## DIMENSIONAL INFORMATION



Hub Size	Dimension A (IN.)	Dimension B (IN.)
1/2"	2.10	1.53
3/4"	2.45	2.20
1"	2.45	2.47
1 1/4"	3.35	2.97
1 1/2"	3.70	3.50
2"	4.05	4.15
2.5"	4.10	4.60
3"	4.50	5.68
3.5"	4.60	6.02
4"	4.75	6.52

## OPTIONAL LOCKNUT PART NUMBERS

Hub Size	Steel	Aluminum
1/2"	LN-50	LNA-50
3/4"	LN-75	LNA-75
1"	LN-100	LNA-100
1 1/4"	LN-125	LNA-125
1 1/2"	LN-150	LNA-150
2"	LN-200	LNA-200
2 1/2"	LN-250	LNA-250
3"	LN-300	LNA-300
3 1/2"	LN-350	LNA-350
4"	LN-400	LNA-400

Exposed Armor Length	Cable Range Over Jacket		Cable Range Over Armor	
	Min	Max	Min	Max
7/8"	.525"	.650"	.415"	.570"
7/8"	.650"	.775"	.540"	.695"
7/8"	.750"	.875"	.640"	.795"
7/8"	.860"	.985"	.750"	.905"
1"	.955"	1.080"	.845"	1.000"
1"	1.080"	1.205"	.970"	1.125"
1"	1.205"	1.350"	1.095"	1.270"
1 1/4"	1.350"	1.475"	1.240"	1.395"
1 1/4"	1.475"	1.600"	1.365"	1.520"
1 1/4"	1.600"	1.725"	1.490"	1.645"
1 1/2"	1.725"	1.850"	1.615"	1.770"
1 1/2"	1.850"	1.975"	1.740"	1.895"
1 1/2"	1.975"	2.100"	1.865"	2.020"
1 3/4"	2.100"	2.225"	1.990"	2.145"
1 3/4"	2.225"	2.350"	2.115"	2.270"
1 3/4"	2.350"	2.475"	2.240"	2.395"
1 3/4"	2.475"	2.600"	2.365"	2.520"
1 3/4"	2.600"	2.725"	2.490"	2.645"
1 3/4"	2.700"	2.850"	2.560"	2.760"
1 3/4"	2.850"	3.000"	2.710"	2.910"
1 3/4"	3.000"	3.150"	2.860"	3.060"
1 3/4"	3.150"	3.300"	3.010"	3.210"
1 3/4"	3.300"	3.450"	3.160"	3.360"
1 3/4"	3.450"	3.600"	3.300"	3.500"
1 3/4"	3.600"	3.750"	3.450"	3.650"
1 3/4"	3.750"	3.900"	3.600"	3.800"
1 3/4"	3.900"	4.050"	3.750"	3.940"
1 3/4"	4.050"	4.200"	3.900"	4.090"
1 3/4"	4.200"	4.350"	4.050"	4.240"

CORD CONNECTORS

WIRE MESH GRIPS

PICO-LINK

MICRO-LINK

ETHERLINK

MINI-LINK

MULTI-PORT BOXES

BUS SYSTEM PRODUCTS

**ONE-PIECE COMPACT DESIGN**  
Smaller than other similar connectors in profile and width means easier installation in tight spaces and close spacing of connectors

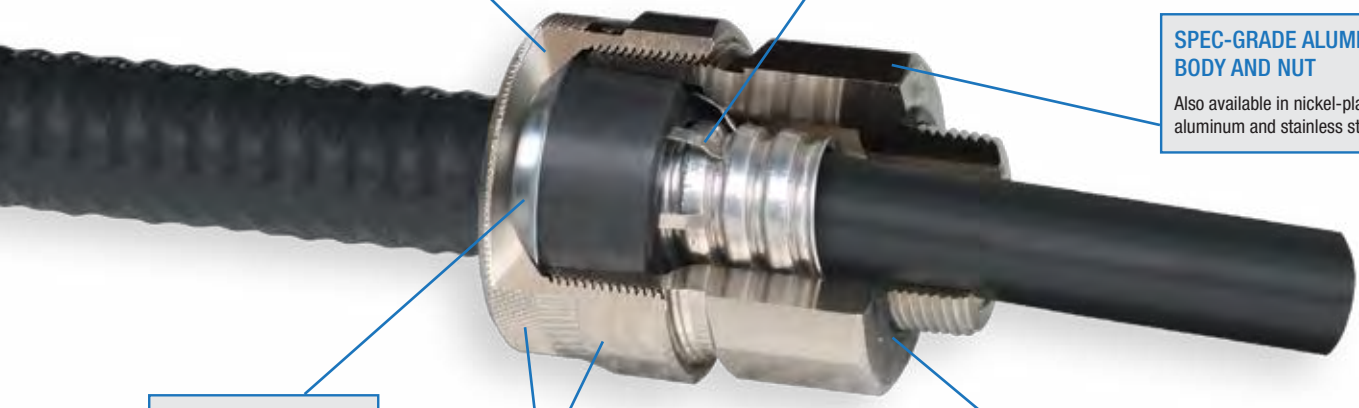
**GROUNDING SEAL EXCLUSIVE DESIGN**  
This unique Remke design features stainless steel tines that ground the connector to the metal-clad cable and provide 360° strain relief and an environmental seal that meets or exceeds CSA requirements

**SPEC-GRADE ALUMINUM BODY AND NUT**  
Also available in nickel-plated aluminum and stainless steel

**COMPRESSION RING**  
Downward pressure ensures uniform compression

**COMBINATION TIGHTENING SURFACE**  
Provides a large wrenching area for easy installation. Additional knurl surface provides extra gripping surface for initial hand tightening

**EMBEDDED BUNA-N O-RING**  
Ensures a watertight and corrosion-resistant termination seal (Viton® available)





# EXPLOSION-PROOF MC (METAL-CLAD) CABLE CONNECTORS

## POWR-TECK™ XTK HAZARDOUS DUTY CONNECTORS

Made in the USA, Remke PowR-Teck XTK Hazardous-Duty MC Cable Connectors form a watertight seal at the enclosure entry & provide ground continuity for jacketed interlocked, continuous corrugated or welded armor cable in hazardous locations. Suitable for use in Class 1/Div 1 Groups A-B-C-D & E locations (flammable gases and liquids), these connectors are available in aluminum, nickel-plated aluminum & stainless steel in hub sizes from 1/2" to 2".

Features of the PowR-Teck XTK Hazardous-Duty Connectors include an easy-fill potting chamber that provides easy packing of putty & filling for epoxies. The unique PowR-Lock™ Grounding Seal provides superior conductivity and true 360° grounding. Other features include a bright red compression nut for high visibility & easy identification. Pending environmental certifications include NEMA 4, UL & CSA.

Ideal for outdoor or indoor use in wet or dry locations, our PowR-Teck XTK Hazardous-Duty MC Cable Connectors are ideal for these applications:

- Oil & gas facilities
- Grain silos
- Mining
- Petrochemical plants
- Pulp & paper
- Automotive manufacturing & assembly

Providing NEMA 4 protection, XTK Connectors are UL & CSA approved for these environments:

- UL Class 1 Div. 1, Groups A, B, C, D;
- UL Class II Div. 2, Groups F & G
- UL Class III
- CSA Class 1 Div. 1 & 2, Groups A, B, C, D;
- CSA Class 1 Div. 1 & 2, Groups E, F, G;
- IEC Zones 1 and 2, Group 2



## COMPLETE ASSEMBLY PART NUMBERS

Catalog No.	Hub Size NPT	Approx. Exposed Armor Length	Cable Range	
			over Jacket Min - Max	over Armor Min - Max
XTK-050-1	1/2"	1 1/8"	.525 - .650	.415 - .570
XTK-050-2	1/2"	1 1/8"	.650 - .775	.540 - .695
XTK-050-3	1/2"	1 1/8"	.750 - .875	.640 - .795
XTK-050-4	1/2"	1 1/8"	.860 - .985	.750 - .905
XTK-075-5	3/4"	1 5/8"	.955 - 1.080	.845 - 1.000
XTK-075-6	3/4"	1 5/8"	1.080 - 1.205	.970 - 1.125
XTK-100-7	1"	1 5/8"	1.205 - 1.350	1.095 - 1.270
XTK-125-8	1 1/4"	2 1/8"	1.305 - 1.475	1.240 - 1.395
XTK-125-9	1 1/4"	2 1/8"	1.475 - 1.600	1.365 - 1.520
XTK-125-10	1 1/4"	2 1/8"	1.600 - 1.725	1.490 - 1.645
XTK-150-11	1 1/2"	2 3/4"	1.725 - 1.850	1.615 - 1.770
XTK-150-12	1 1/2"	2 3/4"	1.850 - 1.975	1.740 - 1.895
XTK-150-13	1 1/2"	2 3/4"	1.975 - 2.100	1.865 - 2.020
XTK-200-14	2"	2 3/4"	2.100 - 2.225	1.990 - 2.145
XTK-200-15	2"	2 3/4"	2.225 - 2.350	2.115 - 2.270

## OPTIONAL LOCKNUT PART NUMBERS

Hub Size	Steel	Aluminum
1/2"	LN-50	LNA-50
3/4"	LN-75	LNA-75
1"	LN-100	LNA-100
1 1/4"	LN-125	LNA-125
1 1/2"	LN-150	LNA-150
2"	LN-200	LNA-200

### COMPRESSION NUT

Provides a quick identification of a fitting designed for hazardous areas

### SPEC-GRADE ALUMINUM BODY AND NUT

Also available in nickel-plated aluminum and stainless steel

### POWR-LOCK™ GROUNDING SEAL

This unique Remke design features stainless steel fines that ground the connector to the metal clad cable and provide 360° strain relief and an environmental seal that meets or exceeds CSA requirements

### EASY-FILL POTTING CHAMBER

Allows for easy packing of putty and filling for epoxies

CORD CONNECTORS

WIRE MESH GRIPS

PICO-LINK

MICRO-LINK

ETHERLINK

MINI-LINK

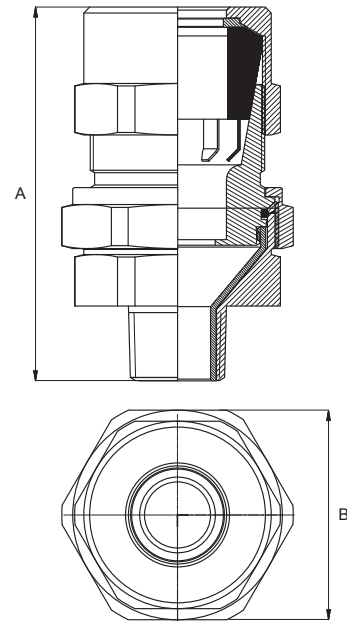
MULTI-PORT BOXES

BUS SYSTEM PRODUCTS

## SEALING COMPOUNDS

Catalog No.	Description	Volume
PC70	Putty type sealing compound	70 Grams
SL76	Liquid type sealing epoxy for use in high density applications (5 or more wires)	7.6 fl. oz.

## XTK DIMENSIONAL INFORMATION



Hub Size NPT	Dim. A (in.)	Dim. B (in.)
½"	2.40	1.34
¾"	3.20	2.00
1"	3.24	2.16
1¼"	4.10	2.75
1½"	4.93	3.35
2"	5.05	3.90





# SWIVEL-FLEX ALUMINUM CORD GRIPS



The Tuff-Seal™ SWV Series, or Swivel-Flex Cord Grips feature a patented swivel design that provides superior cable protection. This patent-pending design virtually eliminates premature mesh fatigue while the mesh prevents cable pull-out. And this combination maximizes both cable and connection life so that downtime and costs are greatly reduced.

Machined flats and threads in the cord connector provide a more secure installation with a visually appealing appearance. A special inner gasket made from neoprene provides a seal against rust, filings and other foreign material. And these grips meet or exceed SAE performance requirements.

Swivel-Flex Grips are ideal for use in applications where repetitive movement of control & power cable occurs such as with robots and automated equipment used in material handling and welding. Grips in this series are available in straight, 45° and 90° body styles with knock-out sizes ranging from 1 1/4" diameter to 1 1/2" diameter.

## COMPLETE ASSEMBLY PART NUMBERS

SWIVEL-FLEX ALUMINUM CORD GRIPS				
Conduit Size	Cable Range	Straight	45 Degree	90 Degree
1 1/4"	.562 – .688	SWV-411-E	SWV-45411-E	SWV-9411-E
	.688 – .812	SWV-413-E	SWV-45413-E	SWV-9413-E
	.750 – .875	SWV-414-E	SWV-45414-E	SWV-9414-E
	.875 – 1.000	SWV-416-E	SWV-45416-E	SWV-9416-E
	1.000 – 1.125	SWV-418-E	SWV-45418-E	SWV-9418-E
	1.125 – 1.250	SWV-420-E	SWV-45420-E	SWV-9420-E
1 1/2"	1.250 – 1.375	SWV-422-E	SWV-45422-E	SWV-9422-E
	.562 – .688	SWV-511-E	SWV-45511-E	SWV-9511-E
	.688 – .812	SWV-513-E	SWV-45513-E	SWV-9513-E
	.750 – .875	SWV-514-E	SWV-45514-E	SWV-9514-E
	.875 – 1.000	SWV-516-E	SWV-45516-E	SWV-9516-E
	1.000 – 1.125	SWV-518-E	SWV-45518-E	SWV-9518-E
1 1/2"	1.125 – 1.250	SWV-520-E	SWV-45520-E	SWV-9520-E
	1.250 – 1.375	SWV-522-E	SWV-45522-E	SWV-9522-E





# TUFF-FLEX ALUMINUM CORD GRIPS



The redesigned Tuff-Flex Cord Grip Connector features a molded rubber cone that is tapered for improved cable stability. Another key feature of this redesigned connector is that it is more compact with a slimmer profile which provides easier installation in tight spaces. The unique design of this connector is ideally suited for applications where cable damage due to excessive flexing is a concern.

The rubber cone on this connector matches cable arc-of-bend specifications to eliminate damage. 100% rubber construction outlasts PVC designs as it resists hard knocks, splitting and cracking. The Tuff-Flex Cord Grip also features a rubber cone-to-connector seal that is moisture proof. And when the rubber cone is coupled with one of Remke's aluminum or steel strain relief cord grip there is even greater protection from abrasion and cable pull-out.

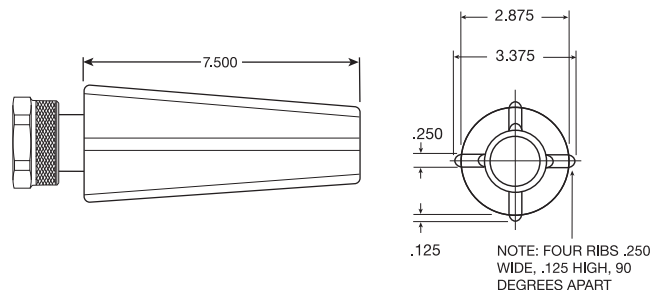
Tuff-Flex Connectors are ideal for use in applications where repetitive movement of control & power cable occurs such as with robots and automated equipment used in material handling and welding. Special 'swivel' versions are also available for those applications producing cable rotation as well as cable flex.

## TUFF-FLEX SERIES CORD GRIP CONNECTORS

COMPLETE ASSEMBLY PART NUMBERS				
Conduit Size	Cable Range	Straight	45 Degree	90 Degree
1 1/4"	.562 – .688	TF-411	TF-45411	TF-9411
	.688 – .812	TF-413	TF-45413	TF-9413
	.750 – .875	TF-414	TF-45414	TF-9414
	.875 – 1.000	TF-416	TF-45416	TF-9416
	1.000 – 1.125	TF-418	TF-45418	TF-9418
	1.125 – 1.250	TF-420	TF-45420	TF-9420
	1.250 – 1.375	TF-422	TF-45422	TF-9422
1 1/2"	.562 – .688	TF-511	TF-45511	TF-9511
	.688 – .812	TF-513	TF-45513	TF-9513
	.750 – .875	TF-514	TF-45514	TF-9514
	.875 – 1.000	TF-516	TF-45516	TF-9516
	1.000 – 1.125	TF-518	TF-45518	TF-9518
	1.125 – 1.25	TF-520	TF-45520	TF-9520
	1.250 – 1.375	TF-522	TF-45522	TF-9522

## TUFF-FLEX WITH SWIVEL CORD GRIP CONNECTOR

COMPLETE ASSEMBLY PART NUMBERS				
Conduit Size	Cable Range	Straight	45 Degree	90 Degree
1 1/4"	.562 – .688	TFSV-411	TFSV-45411	TFSV-9411
	.688 – .812	TFSV-413	TFSV-45413	TFSV-9413
	.750 – .875	TFSV-414	TFSV-45414	TFSV-9414
	.875 – 1.000	TFSV-416	TFSV-45416	TFSV-9416
	1.000 – 1.125	TFSV-418	TFSV-45418	TFSV-9418
	1.125 – 1.250	TFSV-420	TFSV-45420	TFSV-9420
	1.250 – 1.375	TFSV-422	TFSV-45422	TFSV-9422
1 1/2"	.562 – .688	TFSV-511	TFSV-45511	TFSV-9511
	.688 – .812	TFSV-513	TFSV-45513	TFSV-9513
	.750 – .875	TFSV-514	TFSV-45514	TFSV-9514
	.875 – 1.000	TFSV-516	TFSV-45516	TFSV-9516
	1.000 – 1.125	TFSV-518	TFSV-45518	TFSV-9518
	1.125 – 1.25	TFSV-520	TFSV-45520	TFSV-9520
	1.250 – 1.375	TFSV-522	TFSV-45522	TFSV-9522



### MATERIAL

Connector	Aluminum
Flex Cone	Type NBR Rubber

CORD CONNECTORS

WIRE MESH GRIPS

PICO-LINK

MICRO-LINK

ETHERLINK

MINI-LINK

MULTI-PORT BOXES

BUS SYSTEM PRODUCTS





# LIQUIDTIGHT CONNECTORS



## LIQUA-SEAL® LIQUIDTIGHT CONNECTORS

The family of Remke Liqua-Seal Connectors are available in three different styles: L-Series in zinc-plated steel or zinc-plated malleable iron or die cast zinc; ALM-Series of aluminum liquidtight connectors; and the LL-Series of stainless steel liquidtight connectors.

With multiple sizes and material options including steel, stainless steel, aluminum and zinc-plated malleable iron, the Tuff-Seal family of Liqua-Seal® Liquidtight Connectors feature IP65, IP68 and NEMA 4X ratings and are suitable for use in Class I, Div II locations. They are ideally suited for OEM applications that require flexibility & protection against entry of vapors, liquids or solids including

- Food Processing Plants
- Petroleum Machinery
- Chemical Processing
- Offshore Rigs
- Machine Shop Equipment
- Pulp & Paper Factories
- Automation Equipment
- Heavy-Duty Electrical Motor Housings
- Machine Tool Building
- Robotics Assembly
- Motor & Transformer Terminations



# LIQUIDTIGHT CONNECTORS



## L SERIES LIQUA-SEAL® CONNECTORS

L-Series Liqua-Seal Connectors are made of steel with a chromium zinc plating on the body, ferrule, locknut and clamp nut to prevent corrosion under the most adverse of conditions. Rated IP65, these connectors are UL Listed & CSA Certified with a watertight and oiltight design that provides strain relief and reduces stress on components and termination points. L-Series connectors are available in straight, 90° and 45° body styles and are also available with insulated throats and wire mesh grips. Die-cast zinc versions are also available.

L-Series Liqua-Seal Connectors are ideally suited for use in applications such as food processing plants, chemical processing facilities, offshore rigs, pulp and paper factories, automation equipment, heavy-duty electrical motor housings and medical equipment

### Notes

Dimensional information on page 66 in Tuff-Seal Technical Reference



## ZINC-PLATED STEEL, STRAIGHT, EXTERNAL CONDUIT THREAD

### PART NUMBERS

Conduit Size	Standard	Insulated Throat	With Mesh Grip	Insulated With Mesh Grip	Mesh Length
3/8"	LMM-01	LMM-02	LMM-01-E	LMM-02-E	2 5/8"
1/2"	LMM-11	LMM-12	LMM-11-E	LMM-12-E	3 7/8"
3/4"	LMM-21	LMM-22	LMM-21-E	LMM-22-E	4 3/8"
1"	LMM-31	LMM-32	LMM-31-E	LMM-32-E	5 1/4"
1 1/4"	LMM-41	LMM-42	LMM-41-E	LMM-42-E	5 5/8"
1 1/2"	LMM-51	LMM-52	LMM-51-E	LMM-52-E	5 3/4"
2"	LMM-61	LMM-62	LMM-61-E	LMM-62-E	7 1/2"
2 1/2"	LMM-71	LMM-72	—	—	—
3"	LMM-81	LMM-82	—	—	—
3 1/2"	LMM-91	LMM-92	—	—	—
4"	LMM-101	LMM-102	—	—	—

## ZINC-PLATED MALLEABLE IRON, 45°, EXTERNAL CONDUIT THREAD

### PART NUMBERS

Conduit Size	Standard	Insulated Throat	With Mesh Grip	Insulated With Mesh Grip	Mesh Length
3/8"	LMA-01	LMA-02	LMA-01-E	LMA-02-E	2 5/8"
1/2"	LMA-11	LMA-12	LMA-11-E	LMA-12-E	3 7/8"
3/4"	LMA-21	LMA-22	LMA-21-E	LMA-22-E	4 3/8"
1"	LMA-31	LMA-32	LMA-31-E	LMA-32-E	5 1/4"
1 1/4"	LMA-41	LMA-42	LMA-41-E	LMA-42-E	5 5/8"
1 1/2"	LMA-51	LMA-52	LMA-51-E	LMA-52-E	5 3/4"

## ZINC-PLATED MALLEABLE IRON, 90°, EXTERNAL CONDUIT THREAD

### PART NUMBERS

Conduit Size	Standard	Insulated Throat	With Mesh Grip	Insulated With Mesh Grip	Mesh Length
3/8"	LML-01	LML-02	LML-01-E	LML-02-E	2 5/8"
1/2"	LML-11	LML-12	LML-11-E	LML-12-E	3 7/8"
3/4"	LML-21	LML-22	LML-21-E	LML-22-E	4 3/8"
1"	LML-31	LML-32	LML-31-E	LML-32-E	5 1/4"
1 1/4"	LML-41	LML-42	LML-41-E	LML-42-E	5 5/8"
1 1/2"	LML-51	LML-52	LML-51-E	LML-52-E	5 3/4"
2"	LML-61	LML-62	LML-61-E	LML-62-E	7 1/2"
2 1/2"	LML-71	LML-72	—	—	—
3"	LML-81	LML-82	—	—	—
3 1/2"	LML-91	LML-92	—	—	—
4"	LML-101	LML-102	—	—	—

## DIE-CAST ZINC

### PART NUMBERS

Conduit Size	Straight Connector	90° Connector
3/8"	LDM-01	LDL-01
1/2"	LDM-11	LDL-11
3/4"	LDM-21	LDL-21
1"	LDM-31	LDL-31
1-1/4"	LDM-41	LDL-41
1-1/2"	LDM-51	LDL-51
2"	LDM-61	LDL-61

CORD CONNECTORS

WIRE MESH GRIPS

PICO-LINK

MICRO-LINK

ETHERLINK

MINI-LINK

MULTI-PORT BOXES

BUS SYSTEM PRODUCTS



# ALUMINUM LIQUIDTIGHT CONNECTORS

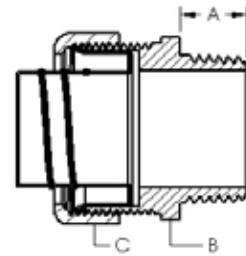
## LIQUA-SEAL® ALUMINUM LIQUIDTIGHT CONNECTORS

The Remke ALM-Series Aluminum Liquidtight Connectors are designed to provide a dependable connection to stand up against wet & corrosive environments indoors, outdoors and in Class I/Div II hazardous locations. Made of high-quality forged aluminum with a natural finish, these connectors provide superior strength & durability that seals out oil, water, dust, dirt and fumes.

The design of these connectors features a reusable ferrule with maximum surface contact for better sealing and a permanent metal-to-metal ground, insulated throat to protect against wire damage, machined tapered NPT threads, a compact design and pending environmental certifications include NEMA 4, UL & CSA. Remke Aluminum Liquidtight Connectors are in stock in both straight and 90 degree styles in conduit sizes from 3/8" to 2".



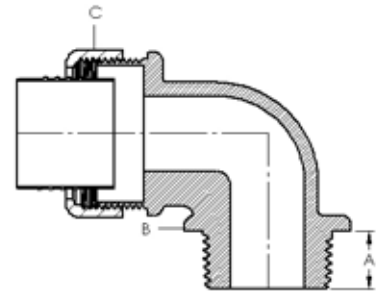
## STRAIGHT ALUMINUM LIQUIDTIGHT CONNECTORS



### PART NUMBERS

Conduit Size	Standard Catalog Number	Thread Length (A)	Body Diameter (B)	Dia. Across Flats (C)
3/8"	ALMM-01	.47	1.10	1.06
1/2"	ALMM-11	.47	1.18	1.20
3/4"	ALMM-21	.47	1.34	1.32
1"	ALMM-31	.59	1.61	1.61
1 1/4"	ALMM-41	.59	2.12	2.05
1 1/2"	ALMM-51	.63	2.31	2.30
2"	ALMM-61	.63	2.72	2.68

## 90° ALUMINUM LIQUIDTIGHT CONNECTORS



### PART NUMBERS

Conduit Size	Standard Catalog Number	Thread Length (A)	Body Diameter (B)	Dia. Across Flats (C)
3/8"	ALML-01	.47	1.10	1.06
1/2"	ALML-11	.47	1.18	1.20
3/4"	ALML-21	.47	1.38	1.32
1"	ALML-31	.59	1.69	1.61
1 1/4"	ALML-41	.59	2.06	1.95
1 1/2"	ALML-51	.63	2.37	2.20
2"	ALML-61	.63	2.78	2.68



# STAINLESS STEEL LIQUIDTIGHT CONNECTORS

Rated IP68 and NEMA 4X, Remke Stainless Steel Liquidtight Connectors offer all the corrosion resistance you need AND the strength of stainless steel for the highest levels of endurance. Additional features of these connectors include:

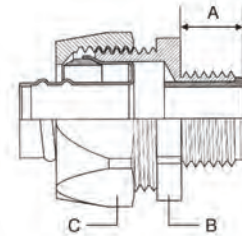
- Used to connect liquidtight conduit into a knockout or threaded NPT opening
- For use in wet or dry locations to seal electrical connections against dust, dirt, oil, water, chemicals and other corrosive elements
- Type 303 stainless steel body and ferrule
- Available in straight and 90 degree, 3/8" to 2" in stock
- Nylon insulated throat
- Optional Buna-N O-Ring (Viton available)

Remke Stainless Steel Liquidtight Connectors are ideally suited for OEM and MRO applications known for their corrosive and abusive environments including:

- Food & Beverage Processing
- Petrochemical
- Pulp & Paper Mills
- Wastewater Treatment
- Heavy-duty electrical motors, generators and transformers
- Offshore Oil Rigs & Platforms
- Chemical Processing
- Portable equipment
- Machine Tool Building



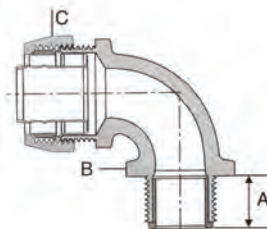
## STRAIGHT STAINLESS STEEL LIQUIDTIGHT CONNECTORS



### PART NUMBERS

Conduit Size	Catalog Number	Thread Length (A)	Body Hex (B)	Dia. Across Flats (C)
3/8"	LMSS-02	0.45	0.94	1.02
1/2"	LMSS-12	0.51	1.06	1.14
3/4"	LMSS-22	0.59	1.30	1.38
1"	LMSS-32	0.59	1.69	1.77
1 1/4"	LMSS-42	0.63	2.04	2.12
1 1/2"	LMSS-52	0.71	2.36	2.44
2"	LMSS-62	0.79	2.93	3.03

## 90 DEGREE STAINLESS STEEL LIQUIDTIGHT CONNECTORS



### PART NUMBERS

Conduit Size	Catalog Number	Thread Length (A)	Body Hex (B)	Dia. Across Flats (C)
3/8"	LLSS-02	0.45	0.94	1.02
1/2"	LLSS-12	0.51	1.06	1.14
3/4"	LLSS-22	0.59	1.30	1.38
1"	LLSS-32	0.59	1.69	1.77
1 1/4"	LLSS-42	0.63	2.04	2.12
1 1/2"	LLSS-52	0.71	2.36	2.44
2"	LLSS-62	0.79	2.93	3.03

### SPECIFICATIONS

#### MATERIALS

Body and Cap	303 Stainless Steel
Ferrule	303 Stainless Steel
Protection	IP68, NEMA 4X
Listings	UL Listed, CSA Certified RoHS Compliant

CORD CONNECTORS

WIRE MESH GRIPS

PICO-LINK

MICRO-LINK

ETHERLINK

MINI-LINK

MULTI-PORT BOXES

BUS SYSTEM PRODUCTS



# WH SERIES CONDUIT HUBS



## WH SERIES WATERTIGHT CONDUIT HUBS

The Tuff-Seal™ WH Series of Watertight Conduit Hubs feature a design with unique angled serrations that provide a larger & tighter surface plus a reliable watertight seal even with rough or oversized knock-out. Used to connect rigid metal conduit (or IMC) to a threadless opening in electrical enclosures, Remke Conduit Hubs are rated NEMA 4 and may be used in either wet or dry applications.

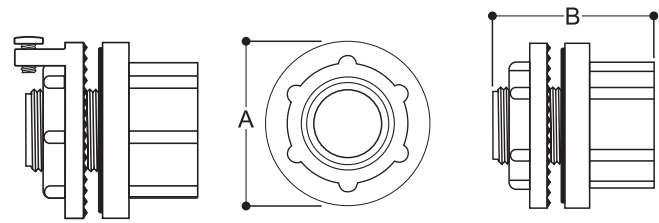
Remke Watertight Conduit Hubs are available in 1/2" to 4" hub sizes in these materials:

- Die Cast Zinc – high strength & hardness with outstanding corrosion resistance
- Stainless Steel – Type 316 offers highest levels of durability in severely corrosive applications or high moisture environments where washdowns for cleaning may be necessary
- Aluminum – durable, lightweight and seals against environmental elements for both indoor & outdoor applications

Designed with simple 2-piece construction, Remke WH Series Hubs offer positive grounding, protective insulated throats that prevent wire abrasion and an embedded O-Ring to ensure a watertight seal. A grounded style is also available.



## DIE CAST ZINC



PART NUMBERS					
Hub Size	Zinc Die Cast	Grounded	A	B	Mtg. Hole (minimum)
1/2"	WH-1	WH-1-G	1.54	1.31	0.84
3/4"	WH-2	WH-2-G	1.73	1.37	1.05
1"	WH-3	WH-3-G	2.04	1.59	1.31
1 1/4"	WH-4	WH-4-G	2.42	1.59	1.66
1 1/2"	WH-5	WH-5-G	2.79	1.59	1.90
2"	WH-6	WH-6-G	3.30	1.59	2.37
2 1/2"	WH-7	WH-7-G	3.70	2.47	2.88
3"	WH-8	WH-8-G	4.39	2.47	3.50
3 1/2"	WH-9	–	4.81	2.69	4.11
4"	WH-10	–	5.38	2.69	4.63

NOTE: Optional Chrome-Plated Hubs Are Available. Contact Factory.

## STAINLESS STEEL (TYPE 316)

PART NUMBERS					
Hub Size	Stainless Steel	Grounded	A	B	Mtg. Hole (minimum)
1/2"	WH-1-SS	WH-1-GSS	1.54	1.31	0.84
3/4"	WH-2-SS	WH-2-GSS	1.73	1.37	1.05
1"	WH-3-SS	WH-3-GSS	2.04	1.59	1.31
1 1/4"	WH-4-SS	WH-4-GSS	2.42	1.59	1.66
1 1/2"	WH-5-SS	WH-5-GSS	2.79	1.59	1.90
2"	WH-6-SS	WH-6-GSS	3.30	1.59	2.37
2 1/2"	WH-7-SS	WH-7-GSS	3.70	2.47	2.88
3"	WH-8-SS	WH-8-GSS	4.39	2.47	3.50
3 1/2"	WH-9-SS	WH-9-GSS	4.81	2.69	4.11
4"	WH-10-SS	WH-10-GSS	5.38	2.69	4.63

## ALUMINUM

PART NUMBERS					
Hub Size	Aluminum	Grounded	A	B	Mtg. Hole (minimum)
1/2"	WH-1-AL	WH-1-GAL	1.54	1.31	0.84
3/4"	WH-2-AL	WH-2-GAL	1.73	1.37	1.05
1"	WH-3-AL	WH-3-GAL	2.04	1.59	1.31



# APPLICATION GUIDE FOR WIRE MESH GRIPS

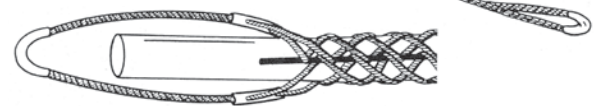
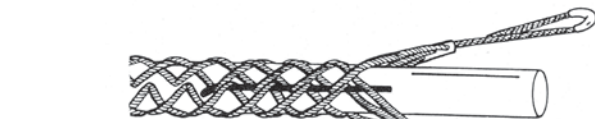
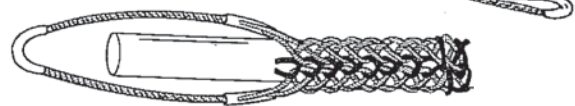
STANDARD SUPPORT GRIPS	
Absorb additional strain from vibration, expansion and flexing. Designed for loads up to 600 lbs. and vertical runs of up to 100ft.	
APPLICATIONS: Industrial, commercial, utility	ENVIRONMENT: Standard indoors; with stainless steel mesh for wet, abusive or outdoors
TYPE: Permanent support for cable, metal rods & tubing	FLEX: Flexing

LACE CLOSING SUPPORT GRIPS	
Used for all phases of suspension or pulling where the end of the cable is not available. They have the best gripping ability of split type grips.	
APPLICATIONS: Industrial, commercial, utility	ENVIRONMENT: Standard indoors; with stainless steel mesh for wet, abusive or outdoors
TYPE: Permanent support, pulling or cable end unavailable	FLEX: Flexing

ROD CLOSING SUPPORT GRIPS	
Used when the cable cannot be easily accessed and the install is temporary. Can be used for loads up to 600lbs. and vertical runs up to 100ft. The rod does not touch cable at any point, preventing cuts.	
APPLICATIONS: Industrial, commercial, utility, residential	ENVIRONMENT: Standard indoors; with stainless steel mesh for wet, abusive or outdoors
TYPE: Temporary, cable end unavailable	FLEX: NON-Flexing

WIDE-RANGE GRIPS	
Provide maximum reliability and minimum maintenance in flexing, bending and vibrating applications to prevent cable pullout.	
APPLICATIONS: Industrial, commercial, utility	ENVIRONMENT: Indoor, dry locations only
TYPE: Permanent support with Connector	FLEX: Flexing, control arc of bend.

BUS DROP GRIPS	
Relieve direct tension from the critical connection and absorb vibration and flexing	
APPLICATIONS: Industrial, commercial, utility, residential	ENVIRONMENT: Indoor only
TYPE: Permanent support	FLEX: Flexing



CORD CONNECTORS

WIRE MESH GRIPS

PICO-LINK

MICRO-LINK

ETHERLINK

MINI-LINK

MULTI-PORT BOXES

BUS SYSTEM PRODUCTS





# WIRE MESH GRIP PRODUCT SPECS

## REMKE PRODUCT SPECS FOR CABLE SUPPORT GRIPS

Remke stocks a large selection of wire mesh support grips.  
Customization is also available for any grip or connector we offer!

GRIP TYPE	EYE TYPE	MATERIAL	WEAVE TYPE	EYE LENGTHS AVAILABLE	MESH LENGTHS AVAILABLE
STANDARD SUPPORT GRIPS	Single or Double Eye	Non-magnetic, tinned bronze wire. Optional Stainless Steel Mesh	Single Weave	Single Eye 7" – 24" Double Eye 4" – 8"	Single & Double Eye 10" – 27"
LACE CLOSING SUPPORT GRIPS	Single or Double Eye	Non-magnetic, tinned bronze wire. Optional Stainless Steel Mesh	Single Weave, Lace is included	Single Eye 7" – 24" Double Eye 4" – 8"	Single & Double Eye 10" – 27"
ROD CLOSING SUPPORT GRIPS	Single or Double Eye	Non-magnetic, tinned bronze wire. Optional Stainless Steel Mesh	Single Weave	Single Eye 7" – 24" Double Eye 4" – 8"	Single & Double Eye 10" – 27"
WIDE-RANGE STRAIN RELIEF GRIPS	Connector with gasket to protect from dust and particles	Galvanized steel mesh and aluminum fitting	Single Weave	Fitting Thread Size 1/2" – 2-1/2"	3-1/4" – 13-3/4"
BUS DROP GRIPS	Single Eye or Locking Bale	Galvanized steel wire	Single Weave	Single Eye 3" – 9" Locking Bale 10" – 15"	3-1/2" – 9-1/2"

## THE EXPERTS AT REMKE ARE READY TO HELP

We can answer your questions, place your orders and even customize wire mesh support grips to your exact specs!

Email: [CustomerCare@Remke.com](mailto:CustomerCare@Remke.com) | Phone: 877-438-8833





# WIRE MESH CABLE GRIPS

## STANDARD SUPPORT GRIPS

Tuff-Seal™ Support Grips are designed to hold the weight of cable that is vertical or sloping. Support grips serve an important function; electrical cables must be supported or their dead weight can cause excessive strain or pullout at the connections resulting in power failure.

Tuff Seal Support Grips are woven with non-magnetic, tinned bronze wire that absorbs strain and flexing while resisting cable pull-out, flexing and vibration. These grips are available in a variety of eye styles and cable ranges, can be used either indoors or outdoors, and will support cable, metal rods and tubing with loads up to 600 lbs.

### NOTES

All mesh is available as double weave or stainless steel, and offset and universal bale styles are available upon request. Consult factory.

Information on Approximate Breaking Strength on page 71 in Tuff-Seal Technical Reference Section.

## CLOSED MESH, DOUBLE EYE, SINGLE WEAVE



Cable Range	Part Numbers	Description	Approx. Breaking Strength (lbs.)	Length (IN.)	
				Eye	Mesh
.50 – .62	2201-001R*	R050-DE	530	4	10
.63 – .74	2201-002R*	R062-DE	790	4	10
.75 – .99	2201-003R*	R075-DE	1020	4	13
1.00 – 1.24	2201-004R*	R100-DE	1610	5	14
1.25 – 1.49	2201-005R*	R125-DE	1610	5	15
1.50 – 1.74	2201-006R*	R150-DE	1610	5	17
1.75 – 1.99	2201-007R*	R175-DE	2150	6	19
2.00 – 2.49	2201-008R*	R200-DE	3260	6	21
2.50 – 2.99	2201-009R*	R250-DE	3260	6	23
3.00 – 3.49	2201-010R*	R300-DE	4900	8	25
3.50 – 3.99	2201-011R*	R350-DE	4900	8	27

\*Stainless Steel Mesh Available Upon Request. To Order - replace the second '2' in the part number with a '4'. EXAMPLE: 2201-001R becomes 2401-001R.

## CLOSED MESH, SINGLE EYE, SINGLE WEAVE



Cable Range	Part Numbers	Description	Approx. Breaking Strength (lbs.)	Length (IN.)	
				Eye	Mesh
.50 – .62	2201-013R*	R050-SE	530	7	10
.63 – .74	2201-014R*	R062-SE	790	8	10
.75 – .99	2201-015R*	R075-SE	1020	8	13
1.00 – 1.24	2201-016R*	R100-SE	1610	9	14
1.25 – 1.49	2201-017R*	R125-SE	1610	10	15
1.50 – 1.74	2201-018R*	R150-SE	1610	12	17
1.75 – 1.99	2201-019R*	R175-SE	2150	14	19
2.00 – 2.49	2201-020R*	R200-SE	3260	16	21
2.50 – 2.99	2201-021R*	R250-SE	3260	18	23
3.00 – 3.49	2201-022R*	R300-SE	4900	21	25
3.50 – 3.99	2201-023R*	R350-SE	4900	24	27

\*Stainless Steel Mesh Available Upon Request. To Order - replace the second '2' in the part number with a '4'. EXAMPLE: 2201-013R becomes 2401-013R.

CORD CONNECTORS

WIRE MESH GRIPS

PICO-LINK

MICRO-LINK

ETHERLINK

MINI-LINK

MULTI-PORT BOXES

BUS SYSTEM PRODUCTS





# WIRE MESH CABLE GRIPS

## LACE CLOSING SUPPORT GRIPS

Tuff-Seal™ Lace Closing Support Grips are woven with non-magnetic, tinned bronze wire that absorbs strain and flexing while resisting cable pull-out, flexing and vibration. They are suitable for permanent support applications and have the best gripping ability of split-type grips. These grips are designed for all phases of suspension or pulling where neither end of the conductor is available.

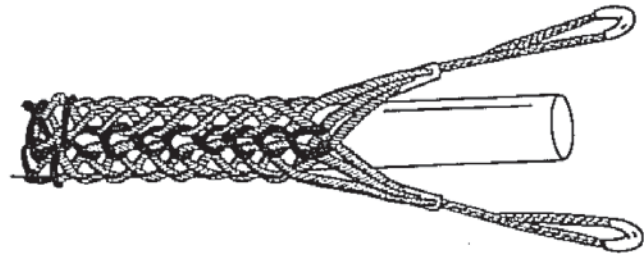
Breaking strengths are normally equal to closed grip types. Unlike rod closing split grips, lace closing can be used where flexing occurs. Lace is provided.

### NOTES

All mesh is available as double weave and/or stainless steel, and offset and universal bale styles are available upon request. Consult factory.

Information on Approximate Breaking Strength on page 71 in Tuff-Seal Technical Reference Section.

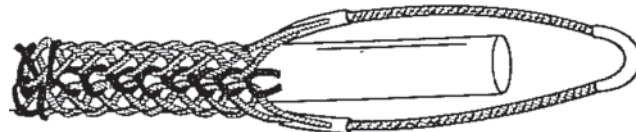
## LACE CLOSING, DOUBLE EYE, SINGLE WEAVE



Cable Range	Part Numbers	Description	Approx. Breaking Strength (lbs.)	Length (IN.)	
				Eye	Mesh
.50 – .62	2202-001R*	RS050-DE	530	4	10
.63 – .74	2202-002R*	RS062-DE	790	4	10
.75 – .99	2202-003R*	RS075-DE	1020	4	13
1.00 – 1.24	2202-004R*	RS100-DE	1610	5	14
1.25 – 1.49	2202-005R*	RS125-DE	1610	5	15
1.50 – 1.74	2202-006R*	RS150-DE	1610	5	17
1.75 – 1.99	2202-007R*	RS175-DE	2150	6	19
2.00 – 2.49	2202-008R*	RS200-DE	3260	6	21
2.50 – 2.99	2202-009R*	RS250-DE	3260	6	23
3.00 – 3.49	2202-010R*	RS300-DE	4900	8	25
3.50 – 3.99	2202-011R*	RS350-DE	4900	8	27

\*Stainless Steel Mesh Available Upon Request. To Order - replace the second '2' in the part number with a '4'. EXAMPLE: 2202-001R becomes 2402-001R.

## LACE CLOSING, SINGLE EYE, SINGLE WEAVE



Cable Range	Part Numbers	Description	Approx. Breaking Strength (lbs.)	Length (IN.)	
				Eye	Mesh
.50 – .62	2202-013R*	RS050-SE	530	7	10
.63 – .74	2202-014R*	RS062-SE	790	8	10
.75 – .99	2202-015R*	RS075-SE	1020	8	13
1.00 – 1.24	2202-016R*	RS100-SE	1610	9	14
1.25 – 1.49	2202-017R*	RS125-SE	1610	10	15
1.50 – 1.74	2202-018R*	RS150-SE	1610	12	17
1.75 – 1.99	2202-019R*	RS175-SE	2150	14	19
2.00 – 2.49	2202-020R*	RS200-SE	3260	16	21
2.50 – 2.99	2202-021R*	RS250-SE	3260	18	23
3.00 – 3.49	2202-022R*	RS300-SE	4900	21	25
3.50 – 3.99	2202-023R*	RS350-SE	4900	24	27

\*Stainless Steel Mesh Available Upon Request. To Order - replace the second '2' in the part number with a '4'. 2202-013R becomes 2402-013R.



# WIRE MESH CABLE GRIPS

## ROD CLOSING SUPPORT GRIPS

Tuff-Seal™ Rod Closing Support Grips are woven with non-magnetic, tinned bronze wire that absorbs strain and flexing while resisting cable pull-out, flexing and vibration. The rod may become bent from high loads but these grips are often reusable after the rod is straightened.

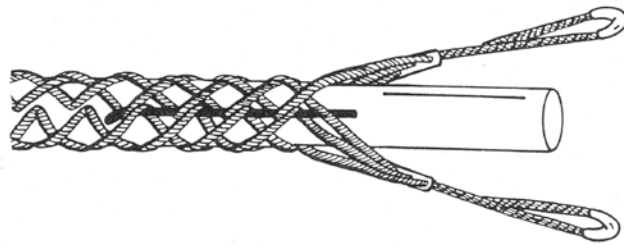
Rod closing has the lowest gripping ability of split closure methods but is the fastest and easiest to install. Installation may be difficult at high angles of weave (maximum cable diameter within listed range). Rod does not touch cable at any point preventing cuts. Rod is provided.

### NOTES

All mesh is available as double weave or stainless steel, and offset and universal bale styles are available upon request. Consult factory.

Information on Approximate Breaking Strength on page 71 in Tuff-Seal Technical Reference Section.

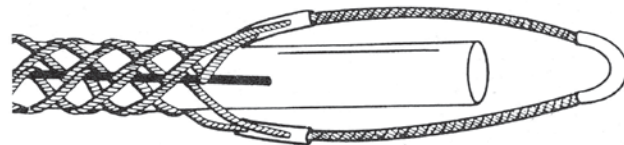
## ROD CLOSING, DOUBLE EYE, SINGLE WEAVE



Cable Range	Part Numbers	Description	Approx. Breaking Strength (lbs.)	Length (IN.)	
				Eye	Mesh
.50 – .62	2203-001R*	RR050-DE	530	4	10
.63 – .74	2203-002R*	RR062-DE	790	4	10
.75 – .99	2203-003R*	RR075-DE	1020	4	13
1.00 – 1.24	2203-004R*	RR100-DE	1610	5	14
1.25 – 1.49	2203-005R*	RR125-DE	1610	5	15
1.50 – 1.74	2203-006R*	RR150-DE	1610	5	17
1.75 – 1.99	2203-007R*	RR175-DE	2150	6	19
2.00 – 2.49	2203-008R*	RR200-DE	3260	6	21
2.50 – 2.99	2203-009R*	RR250-DE	3260	6	23
3.00 – 3.49	2203-010R*	RR300-DE	4900	8	25
3.50 – 3.99	2203-011R*	RR350-DE	4900	8	27

\*Stainless Steel Mesh Available Upon Request. To Order - replace the second '2' in the part number with a '4'. EXAMPLE: 2203-001R becomes 2403-001R.

## ROD CLOSING, SINGLE EYE, SINGLE WEAVE



Cable Range	Part Numbers	Description	Approx. Breaking Strength (lbs.)	Length (IN.)	
				Eye	Mesh
.50 – .62	2203-013R*	RR050-SE	530	7	10
.63 – .74	2203-014R*	RR062-SE	790	8	10
.75 – .99	2203-015R*	RR075-SE	1020	8	13
1.00 – 1.24	2203-016R*	RR100-SE	1610	9	14
1.25 – 1.49	2203-017R*	RR125-SE	1610	10	15
1.50 – 1.74	2203-018R*	RR150-SE	1610	12	17
1.75 – 1.99	2203-019R*	RR175-SE	2150	14	19
2.00 – 2.49	2203-020R*	RR200-SE	3260	16	21
2.50 – 2.99	2203-021R*	RR250-SE	3260	18	23
3.00 – 3.49	2203-022R*	RR300-SE	4900	21	25
3.50 – 3.99	2203-023R*	RR350-SE	4900	24	27

\*Stainless Steel Mesh Available Upon Request. To Order - replace the second '2' in the part number with a '4'. EXAMPLE: 2203-013R becomes 2403-013R.

CORD CONNECTORS

WIRE MESH GRIPS

PICO-LINK

MICRO-LINK

ETHERLINK

MINI-LINK

MULTI-PORT BOXES

BUS SYSTEM PRODUCTS





# WIRE MESH CABLE GRIPS

## I GRIPS

Tuff-Seal™ I-Grips are constructed of galvanized steel mesh, are easy to attach and are used to secure plug bodies, provide heavy-duty strain relief and control cable arc-of-bend. They are designed for indoor use only and are also available in stainless steel mesh.

## WIDE RANGE STRAIN RELIEF GRIPS

Tuff Seal Strain Relief Grips are used to connect cord or cable to electrical enclosures and equipment, power boxes, portable power tools, panel boards, and machine tools. For indoor use only in dry locations, these grips help control arc-of-bend and prevent cable pull-out and damage resulting from flexing. Strain is distributed over the length of these grips instead of at a single point.

These Tuff Seal Strain Relief Grips are made with a single-weave, galvanized steel mesh and feature aluminum fittings and a gasket that provides an environmental seal against dust, filings and other foreign material.

### NOTE

Information on Approximate Breaking Strength on page 71 in Tuff-Seal Technical Reference Section.

## I GRIPS



SPECIFICATIONS				
Cable Range	Part Numbers	Description	Length (IN.)	
			Eye	Mesh
.32 – .43	7310-001R	I-032	1 1/4	4
.43 – .56	7310-002R	I-043	1 1/4	4 3/4
.56 – .73	7310-003R	I-056	1 1/2	6
.73 – .85	7310-004R	I-073	1 1/2	6 1/2
.85 – 1.00	7310-005R	I-085	1 1/2	8
1.00 – 1.25	7310-006R	I-100	1 1/2	10

## WIDE RANGE STRAIN RELIEF GRIPS



NON-INSULATED—NPT THREAD				
Cable Range	Part Numbers	Description	Fitting Thread Size	Mesh Length (IN.)
.22 – .32	7303-001R	SR-022	1/2"	3 1/4
.30 – .43	7303-002R	SR-030	1/2"	3 1/4
.40 – .54	7303-003R	SR-040	1/2"	4 3/4
.52 – .73	7303-004R	SR-052	3/4"	5 3/4
.70 – .97	7303-005R	SR-070	1"	7
.94 – 1.25	7303-006R	SR-094	1 1/4"	9

INSULATING BUSHING—NPS THREAD				
Cable Range	Part Numbers	Description	Fitting Thread Size	Mesh Length (IN.)
.22 – .32	7303-008R	SRP-022	1/2"	3 1/4
.30 – .43	7303-009R	SRP-030	1/2"	3 1/4
.40 – .54	7303-010R	SRP-040	1/2"	4 3/4
.52 – .73	7303-011R	SRP-052	3/4"	5 3/4
.70 – .97	7303-012R	SRP-070	1"	7
.94 – 1.25	7303-013R	SRP-094	1 1/4"	9
1.20 – 1.50	7303-014R	SRP-120	1 1/2"	11 3/4
1.50 – 1.70	7303-015R	SRP-140	2"	13 1/4
1.70 – 2.00	7303-016R	SRP-162	2 1/2"	13 1/2
2.00 – 2.45	7303-017R	SRP-200	2 1/2"	13 3/4



# WIRE MESH CABLE GRIPS

## BUS DROP GRIPS

Tuff-Seal™ Bus Drop Grips support flexible cord or cable at the bus duct when power is supplied from an overhead source. Suitable for indoor use only, these grips relieve tension and absorb vibration which protects the cable. These grips are woven of galvanized steel wire and are offered with either a single eye or universal bale.

## BUS DROP SAFETY SPRINGS

Tuff Seal Bus Drop Safety Springs are used with the Bus Drop Grips to relieve sudden strain on cord or cable overhead systems. These safety springs can be used with single-eye type grips by disassembling the drawbar from the coil, placing it through the eye and replacing the drawbar.

### NOTES

For stainless Bus Drop Grips use 74XX-XXX  
Example: 7304-009 in stainless is 7404-009

Information on Approximate Breaking Strength on page 71 in Tuff-Seal Technical Reference Section.

## BUS DROP GRIPS



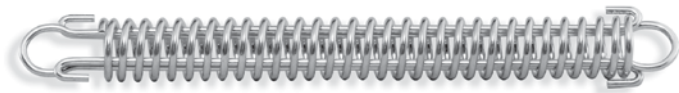
### SINGLE EYE-WIDE RANGE

Cable Range	Part Numbers	Description	Approx. Breaking Strength (lbs.)	Length (IN.)	
				Eye	Mesh
.22 – .32	7304-001R	BD022	350	3	3 1/2
.30 – .43	7304-002R	BD030	450	4	4
.41 – .56	7304-003R	BD041	550	6	4 3/4
.53 – .73	7304-004R	BD053	1000	7	6
.70 – .85	7304-005R	BD070	1400	7	6 3/4
.82 – 1.00	7304-006R	BD082	1400	8	8
.96 – 1.25	7304-007R	BD096	1500	9	9 1/2

### UNIVERSAL BALE—WIDE RANGE

.22 – .32	7304-009R	BD022-UB	350	9	3 1/2
.30 – .43	7304-010R	BD030-UB	450	10	4
.41 – .56	7304-011R	BD041-UB	550	12	4 3/4
.53 – .73	7304-012R	BD053-UB	1000	13	6
.70 – .85	7304-013R	BD070-UB	1400	13	6 3/4
.82 – 1.00	7304-014R	BD082-UB	1400	14	8
.96 – 1.25	7304-015R	BD096-UB	1500	15	9 1/2

## BUS DROP SAFETY SPRINGS



Description	Part Numbers	Maximum Deflection	Breaking Strength	Approx. Length (No Load)	Diameter
40 LB. SPRING	203-02-001	2 5/8" at 40 lbs.	500	8 1/4"	3/4"
80 LB. SPRING	203-02-002	3 1/8" at 80 lbs.	850	8 1/4"	1"

CORD CONNECTORS

WIRE MESH GRIPS

PICO-LINK

MICRO-LINK

ETHERLINK

MINI-LINK

MULTI-PORT BOXES

BUS SYSTEM PRODUCTS





# WIRE MESH CABLE GRIPS

## JUNIOR PULLING GRIPS

Tuff-Seal™ Junior Pulling Grips are reusable tools with a flexible eye that are ideally suited for small job requirements where pulling tension is low. Constructed of galvanized steel mesh with a single weave, these grips provide added strength for secure pulling and have built-in flexibility to follow the cable path.

Tuff Seal Junior Pulling Grips are used for pulling single cable or bundled cables, wire or rope through conduit in overhead, underground, electrical construction and industrial applications. These grips are indispensable tools for small job requirements. Customized sizes and designs are also available – consult factory.

## LIGHT DUTY PULLING GRIPS

Tuff Seal Light Duty Pulling Grips are single weave construction made of a high grade galvanized steel strand. These grips feature a flexible eye for easy attachment to a pulling line and are used in general underground electrical construction where pulling tensions are low. These Tuff Seal Light Duty Grips are easy tools to use in industrial plant wiring & rewiring and for commercial buildings.

### NOTE

Information on Approximate Breaking Strength on page 71 in Tuff-Seal Technical Reference Section.

## JUNIOR PULLING GRIPS



Cable Range	Part Numbers	Description	Approx.* Breaking Strength	Length (IN.)	
				Eye	Mesh
.25 – .36	3305-002R	JP-25	450	3 1/4	4 1/4
.37 – .49	3305-003R	JP-37	900	3 1/4	7
.50 – .61	3305-004R	JP-50	1300	4 1/4	8 1/2
.62 – .74	3305-005R	JP-62	1950	5	10
.75 – .99	3305-006R	JP-75	2800	5 3/4	10
1.00 – 1.25	3305-007R	JP-100	3900	6 1/2	11 1/2
.25 – 1.25	3305-008R	JPK-1 Kit Includes: JP-25, JP-37, JP-50, JP-62, JP-75, JP-100	—	—	—

## LIGHT DUTY PULLING GRIPS



SHORT					
Cable Range	Part Numbers	Description	Approx.* Breaking Strength	Length (IN.)	
				Eye	Mesh
.50 – .61	3303-001R	LD-050-S	2800	5	11
.62 – .74	3303-002R	LD-062-S	2800	5	11
.75 – .99	3303-003R	LD-075-S	4000	6	12
1.00 – 1.24	3303-004R	LD-100-S	5300	7	13
1.25 – 1.49	3303-005R	LD-125-S	5300	7	14
1.50 – 1.74	3303-006R	LD-150-S	6800	8	15
1.75 – 1.99	3303-007R	LD-175-S	8500	8	17
2.00 – 2.49	3303-008R	LD-200-S	8500	9	18
2.50 – 2.99	3303-009R	LD-250-S	10600	9	18
3.00 – 3.49	3303-010R	LD-300-S	14700	10	20
STANDARD					
.50 – .61	3303-011R	LD-050	2800	5	16
.62 – .74	3303-012R	LD-062	2800	5	16
.75 – .99	3303-013R	LD-075	4000	6	20
1.00 – 1.24	3303-014R	LD-100	6800	7	20
1.25 – 1.49	3303-015R	LD-125	6800	7	21
1.50 – 1.99	3303-016R	LD-150	6800	8	23
2.00 – 2.49	3303-017R	LD-175	8500	9	25
2.50 – 2.99	3303-018R	LD-200	8500	9	27
3.00 – 3.49	3303-019R	LD-250	10600	10	30
3.50 – 3.99	3303-020R	LD-300	14700	10	32

CORD CONNECTORS

WIRE MESH GRIPS

PICO-LINK

MICRO-LINK

ETHERLINK

MINI-LINK

MULTI-PORT BOXES

BUS SYSTEM  
PRODUCTS





# TUFF-SEAL™ TECHNICAL REFERENCE SECTION

## RoHS STATEMENT

Remke Industries supports the European Union's efforts to remove harmful chemicals from electrical products. In compliance with Directive 2011/65/EU of the European Parliament and the Council of the European Union regarding the restriction of the use of certain hazardous substances in electrical and electronic equipment (RoHS), Remke Industries certifies either:

1. The maximum concentration values of weight in homogenous materials for the substances referred to in Article 4(1) of directive 2002/95/EC that are contained in the Products do not exceed the maximum concentration values of 0.1% in respect of lead, mercury, hexavalent chromium, polybrominated biphenyls, polybrominated diphenyl ethers, and 0.01% in respect of cadmium. OR

2. The product supplied is exempt from this directive.

Remke Industries certifies that all products of our manufacture are fully compliant to the current RoHS Directive.



### ISO CERTIFICATION

On July 1st, 2003 Remke Industries received ISO 9001 : 2000 certification which certifies that Remke is compliant with current ISO standards.

### KNOCKOUT DIMENSIONS

N.P.T. Hub Size	Knockout Hole Recommended (Min to Max/ Inches)
1/4"	.540 to .570
3/8"	.671 to .701
1/2"	.859 to .906
3/4"	1.094 to 1.141
1"	1.359 to 1.406
1 1/4"	1.719 to 1.766
1 1/2"	1.969 to 2.016
2"	2.453 to 2.500
2 1/2"	2.953 to 3.000
3"	3.578 to 3.625
3 1/2"	4.063 to 4.156
4"	4.550 to 4.630

### OPERATING TEMPERATURES

Material	Temperature range
Aluminum	-40°F to +300°F (-40°C to +149°C)
Buna-N	-40°F to +250°F (-40°C to +121°C)
Nylon	-40°F to +225°F (-40°C to +107°C)
Steel	-60°F to +1000°F (-51°C to +537°C)
Stainless Steel	-60°F to +1000°F (-51°C to +537°C)
Neoprene (bushings)	-40°F to +250°F (-40°C to +121°C)
Silicone (bushings)	-150°F to + 390°F (-101°C to +199°C)
Valox	-40°F to +250°F (-40°C to +121°C)
<b>Dome-Cap Connectors:</b>	
Non-Metallic	-22°F to +176°F (-30°C to +80°C)
Metallic	-40°F to +212°F (-40°C to +100°C)

### FLAMMABILITY

Component	Rating
Mesh Grip	UL 94HB
Fitting	UL 94V-2
Note: Non-metallic cord connectors will not support combustion.	

### APPROVALS, CERTIFICATION & COMPLIANCES

AGENCY	FILE NUMBER	PRODUCT OR COMPONENT
Underwriters Laboratories Inc. (UL)	E53599	RSR Series (Straight, 90°, 45°) RSP Series (Straight, 90°) RSSS Series RSRS Series RSRF Series RSM Series RPG Series RDC Series
	E52002	Liqua-Seal Connectors
	E52002(N)	WH Series Watertight Conduit Hubs
	E157356(N)	WH Series Watertight Conduit Hubs
Canadian Standards Association (CSA)	28985	RSR Series (Straight, 90°, 45°) RSP Series (Straight, 90°) RSRS Series RSRF Series RSSS Series RSPV Series RTK Series MC Cable Connectors WH Series Watertight Conduit Hubs
National Electrical Code (NEC)	Articles 400-10	RSR Series (Straight, 90°, 45°)
	Articles 400-14	RSP Series (Straight, 90°) RSM Series RSRS Series RSRF Series
	Articles 501-4(B)	WH Series Watertight Conduit Hubs
	Articles 502-4(A)	WH Series Watertight Conduit Hubs
	Articles 503-3(A)	WH Series Watertight Conduit Hubs
ROHS & WEE	All Tuff-Seal and Tuff-Link Products are Compliant	

### HAZARDOUS LOCATIONS

Definition	Remke Products
The Remke products listed are suitable for use in hazardous locations per Class I, Div. 2, Class II, Div 1 & 2, and Class III, Div. 1 & 2	RSR Series (Straight, 90°, 45°) RSP Series (Straight, 90°) WH Series Watertight Conduit Hubs RSM Series RSRS Series RSRF Series

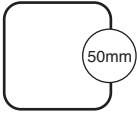

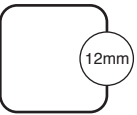
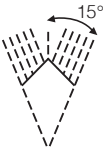
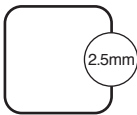
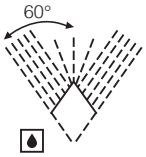
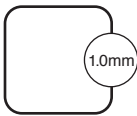

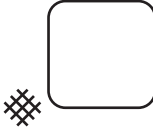
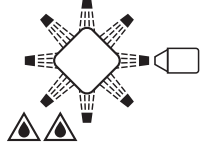
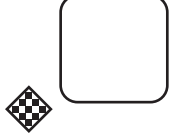



**RATINGS/MATERIAL OF CONSTRUCTION**

MATERIAL	IP 54 AND NEMA 3	IP 54 AND NEMA 3R	IP65 AND NEMA 4	IP 56 AND NEMA 4X	IP67 AND NEMA 6	IP 52 AND NEMA 12
Aluminum	X	X	X	—	X	X
Nickel-Plated Aluminum	X	X	X	X	X	X
Steel	X	X	X	—	X	X
Stainless Steel	X	X	X	X	X	X
Nylon	X	X	X	—	X	X
Valox	X	X	X	X	X	X

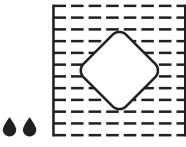
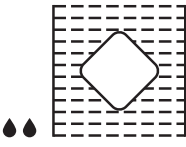
**IP RATINGS DEFINITION**

First Digit	Protection From Solid Objects	Second Digit	Protection From Moisture
0	Non-Protected	0	Non-Protected

1		Protected against solid objects over 50mm e.g hands, large tools	1		Protection against vertically falling drops of water
2		Protected against solid objects over 12mm e.g hands, large tools	2		Protection against direct sprays of water up to a 15° angle
3		Protection from entry by solid objects over 2.5mm e.g. wire or small tools	3		Protection against direct sprays of water up to a 60° angle
4		Protection from entry by solid objects over 1.0mm e.g. wires or tools	4		Protection against water sprayed from any direction. Limited ingress permitted.
5		Protection against deposits of dust e.g. against equipment damage due to deposits	5		Protection against low pressure water jets from any direction. Limited ingress permitted
6		Total protection against dust ingress e.g. Dust-Tight	6		Protection against high pressure water jets from any direction. Limited ingress permitted.

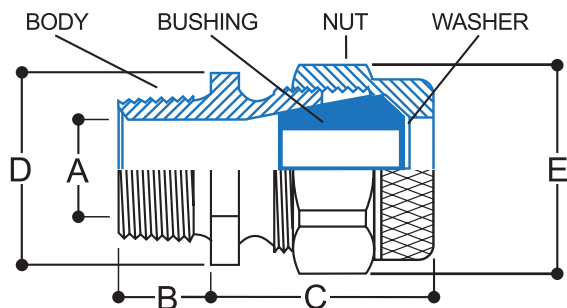
**IP CODE EXAMPLE**

IP54 = IP (IP LETTER CODE), 5 (1st Digit), 4 (2nd Digit)

7		Protection against immersion between 15cm and 1M
8		Protection against complete and continuous immersion in water under pressure e.g Water-Tight



## RSR STRAIGHT CORD GRIP DIMENSIONS



NOTE: Dimension "A" is the minimum Inside Body Diameter | Dimension "B" is the Thread Length  
Dimension "D" is across flats | Dimension "E" is across corners

### ALUMINUM AND NICKEL-PLATED ALUMINUM

Conduit Size	RSR Series	Form Size	A Inside Body Dia.	B	C	D Body Hex	E Nut
1/4"	0000	1	0.34	0.44	0.96	0.88	0.96
3/8"	000	1	0.47	0.44	0.96	0.88	0.96
1/2"	1000	1	0.47	0.44	0.95	0.88	0.96
1/2"	100	2	0.61	0.56	1.12	1.00	1.25
1/2"	1200	3	0.62	0.54	1.40	1.25	1.53
3/4"	2100	2	0.61	0.56	1.20	1.12	1.25
3/4"	200	3	0.80	0.57	1.42	1.25	1.53
3/4"	2300	4	0.81	0.57	1.49	1.37	1.72
1"	300	4	0.99	0.62	1.46	1.44	1.72
1"	3500	5	1.06	0.69	1.91	2.00	2.47
1 1/4"	400	5	1.32	0.69	1.80	2.00	2.00
1 1/2"	500	5	1.43	0.69	1.84	2.25	2.47
1 1/2"	5600	6	1.50	0.80	2.39	2.62	2.97
2"	600	6	2.03	0.80	2.39	2.83	2.97
2"	6700	7	1.90	0.80	3.32	4.00	4.20
2 1/2"	700	7	2.36	1.28	3.19	4.00	4.20
3"	8700	7	2.35	1.31	3.07	4.00	4.20
3"	900	9	3.05	1.39	3.14	4.75	5.00
3 1/2"	1150	8	3.25	1.47	4.65	5.36	6.22
4"	1250	9	3.60	1.47	4.86	5.82	6.66

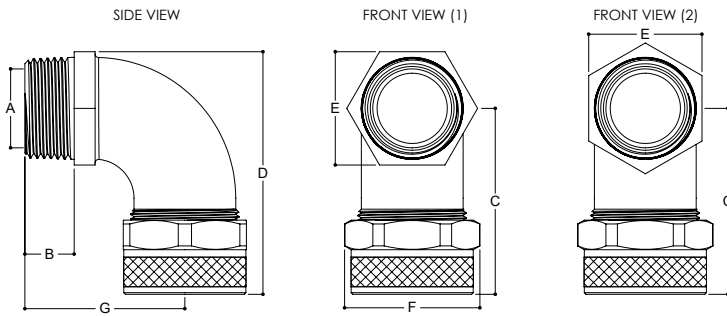
### STEEL

Conduit Size	RSRS Series	Form Size	A Inside Body Dia.	B	C	D Body Hex	E Nut
3/8"	000	1	0.47	0.44	0.56	0.88	0.96
1/2"	100	2	0.62	0.56	0.69	1.00	1.25
3/4"	200	3	0.81	0.56	0.85	1.25	1.53
1"	300	4	0.99	0.63	0.94	1.43	1.65
1 1/4"	400	5	1.38	0.66	1.25	1.81	2.03
1 1/2"	500	5	1.38	0.69	1.31	2.19	2.03

### STAINLESS STEEL

Conduit Size	RSSS Series	Form Size	A Inside Body Dia.	B	C	D Body Hex	E Nut
3/8"	000	1	0.47	0.44	0.88	0.94	0.96
1/2"	100	2	0.61	0.56	1.18	1.12	1.25
3/4"	200	3	0.81	0.57	1.44	1.38	1.50
1"	300	4	0.99	0.62	1.49	1.56	1.72
1 1/4"	400	5	1.32	0.69	2.04	2.00	2.48
1 1/2"	500	5	1.44	0.69	1.93	2.25	2.48
2"	600	6	2.03	0.80	2.43	2.83	2.97
2 1/2"	700	7	2.36	1.25	2.96	3.75	3.95
3"	900	9	3.05	1.39	3.01	4.75	5.00
3 1/2"	1150	11	3.00	1.47	4.41	5.36	6.22
4"	1250	12	3.60	1.47	4.53	5.82	6.66

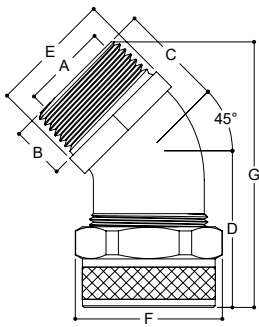
## RSR SERIES 90° CORD GRIP DIMENSIONS



Note: Dimension "E" is across flats  
Dimension "F" is across corners

ALUMINUM AND NICKEL-PLATED ALUMINUM								
Conduit Size	A Body Bore	B	C	D	E Body Hex	F Nut	G	Front View
3/8"	0.45	0.44	1.51	1.88	0.98	0.96	1.31	1
1/2"	0.58	0.56	1.88	2.07	1.03	1.26	1.50	1
3/4"	0.76	0.63	2.25	2.74	1.25	1.55	1.99	1
1"	0.99	0.63	2.41	3.08	1.44	1.74	2.00	1
1-1/4"	1.28	0.69	3.19	4.25	2.13	2.47	2.69	2
1-1/2"	1.40	0.69	3.19	4.30	2.13	2.47	2.69	2
2	1.90	0.81	4.03	5.34	2.81	2.97	3.19	2

## RSR SERIES 45° CORD GRIP DIMENSIONS

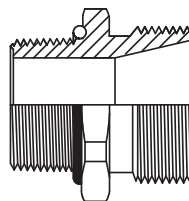


Note: Dimension "E" is across flats | Dimension "F" is across corners

ALUMINUM AND NICKEL-PLATED ALUMINUM							
Conduit Size	A Body Bore	B	C	D	E Body Hex	F Nut	G
1/2"	0.60	0.60	1.04	1.41	1.03	1.26	2.24
3/4"	0.80	0.62	1.15	1.60	1.25	1.55	2.85
1"	0.99	0.62	1.21	1.83	1.44	1.74	3.10
1-1/4"	1.32	0.72	1.34	2.14	2.13	2.47	3.10
1-1/2"	1.53	0.72	1.44	2.21	2.13	2.47	3.68

CONDUIT SEALS AND LOCKNUTS		
O-Rings	Conduit Size	Locknuts
SOR-38	3/8"	LN-38
SOR-1-VNT	1/2"	LN-50
SOR-2	3/4"	LN-75
SOR-3	1"	LN-100
SOR-4	1 1/4"	LN-125
SOR-51	1 1/2"	LN-150
SOR-16	2"	LN-200
WH-6-R	2 1/2"	LN-250
0-100145	3"	LN-300

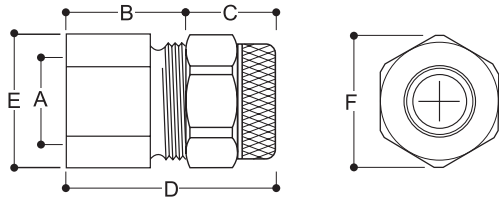
## RSR SERIES CORD GRIPS WITH O-RINGS



These Tuff-Seal RSR grips feature an O-ring that creates a watertight seal when they are used in a taper tapped conduit hub. In these applications gaskets must be used in either the knockouts or clearance drilled holes. To ensure a more reliable seal an embedded O-ring should be utilized. Many of the standard Tuff-Seal cord grips listed in this catalog feature a body hex large enough to permit machining a groove for the embedded O-ring.



## RSRF SERIES CORD GRIP DIMENSIONS



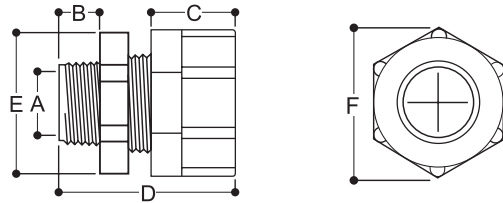
NOTE: Dimension "A" is the minimum Body Bore | Dimension "D" is with the Nut snug, but bushing uncompressed | Dimension "E" is across flats | Dimension "F" is across corners

### SPECIFICATIONS

Conduit Size	A Body Bore	B	C	D	E Body Hex	F Nut
3/8"	0.46	0.81	0.60	1.40	0.88	0.96
1/2"	0.61	1.05	0.70	1.75	1.13	1.25
3/4"	0.63	1.05	0.70	1.75	1.25	1.25
1"	1.00	1.41	0.94	2.35	1.56	1.72
1-1/4"	1.38	1.35	1.25	2.60	2.00	2.48
1-1/2"	1.43	1.35	1.25	2.60	2.25	2.48

NOTE: Dimensions for the RSRH Hub Style Cord Grips are the same as above except for the addition of the nipple.

## RSP AND RSPV STRAIGHT CORD GRIPS DIMENSIONS

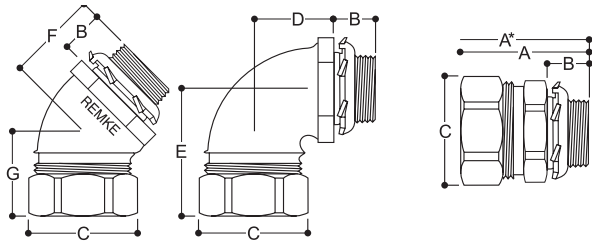


NOTE: Dimension "A" is the minimum Body Bore | Dimension "D" is with the Nut snug, but bushing uncompressed | Dimension "E" is across flats | Dimension "F" is across corners

### SPECIFICATIONS

Conduit Size	A Body Bore	B	C	D	E Body Hex	F Nut
3/8"	0.45	0.47	0.69	1.55	0.94	1.06
1/2"	0.57	0.50	0.88	1.96	1.12	1.42
3/4"	0.76	0.56	0.88	2.00	1.38	1.71

## LIQUA-SEAL CONNECTOR DIMENSIONS



### SPECIFICATIONS

Conduit Size	Hub Size	A	A*	B	C Flats	C Corners	D	E	F	G
3/8"	1/2"	1.47	4.47	0.50	1.00	1.10	1.37	1.58	0.84	1.26
1/2"	1/2"	1.47	4.97	0.50	1.13	1.23	1.37	1.75	0.87	1.47
3/4"	3/4"	1.54	5.54	0.56	1.38	1.52	1.53	1.91	0.95	1.55
1"	1"	1.96	6.96	0.64	1.63	1.80	1.81	2.23	1.10	1.81
1 1/4"	1 1/4"	2.09	8.09	0.72	2.25	2.41	2.05	2.33	1.35	1.84
1 1/2"	1 1/2"	2.09	8.84	0.72	2.50	2.68	2.18	2.46	1.43	1.90
2"	2"	2.16	10.16	0.78	3.00	3.21	2.51	2.73	1.53	2.00

NOTE: Nominal Dimensions in Inches. A\* Dimension is overall length of connector with wire mesh grip. Larger sizes are available. Contact factory.

# THREAD SPECIFICATIONS

PG THREAD SPECIFICATIONS		
Thread Size	Major Diameter (mm)	Pitch (mm)
Pg 7	12.5	1.27
Pg 9	15.2	1.41
Pg 11	18.6	1.41
Pg 13.5	20.4	1.41
Pg 16	22.5	1.41
Pg 21	28.3	1.56
Pg 29	37.0	1.56
Pg 36	47.0	1.56
Pg 42	54.0	1.56
Pg 48	59.3	1.56

NPT THREAD SPECIFICATIONS		
Thread Size	Major Diameter (in)	Threads Per Inch (TPI)
1/4" NPT	0.540	18
3/8" NPT	0.675	18
1/2" NPT	0.840	14
3/4" NPT	1.050	14
1" NPT	1.315	11.5
1-1/4" NPT	1.660	11.5
1-1/2" NPT	1.900	11.5
2" NPT	2.375	11.5
2-1/2" NPT	2.875	8
3" NPT	3.500	8
3-1/2" NPT	4.000	8
4" NPT	4.500	8

METRIC THREAD SPECIFICATIONS		
Thread Size	Major Diameter (mm)	Pitch (mm)
M12 X 1.5	12	1.50
M16 X 1.5	16	1.50
M20 X 1.5	20	1.50
M25 X 1.5	25	1.50
M32 X 1.5	32	1.50
M40 X 1.5	40	1.50
M50 X 1.5	50	1.50
M63 X 1.5	63	1.50

CORD CONNECTORS

WIRE MESH GRIPS

PICO-LINK

MICRO-LINK

ETHERLINK

MINI-LINK

MULTI-PORT BOXES

BUS SYSTEM PRODUCTS



## SELECTED CORD & CABLE DIAMETERS

Type of Cord	AWG Size of Conductors	Number of Conductors-Approximate O.D. in Inches		
		2 Conductor	3 Conductor	4 Conductor
SVO, SVTO	18	.235	.255	—
SJ, SJO, SJT, SJTO	18	.290	.320	.335
	16	.320	.340	.385
	14	.350	.375	.415
	12	.430	.445	.500
	10	.560	.600	.680
S, SO, ST, STO	18	.345	.365	.390
	16	.370	.390	.415
	14	.500	.530	.570
	12	.575	.600	.650
	10	.625	.660	.710
	8	.675	.725	.780
	6	.795	.865	.900
	4	.900	.975	1.100
W	2	1.105	1.170	1.290
	6	.930	1.010	1.100
	4	1.080	1.170	1.270
	3	1.170	1.240	1.340
	2	1.270	1.340	1.480
	1	1.440	1.510	1.680
	1/0	1.520	1.650	1.790
	2/0	1.650	1.750	1.930
	3/0	1.770	1.890	2.070
	4/0	1.920	2.040	2.260
BUS DROP CABLE	250	—	2.390	—
	14	—	.400	—
	12	—	.440	—
	10	—	.500	—
	8	—	.665	—
	6	—	.815	—
	4	—	.955	—
	2	—	1.175	—

## FRACTION/DECIMAL/METRIC CONVERSION

Fraction	Decimal	MM	Fraction	Decimal	MM
1/64	0.0156	0.397	33/64	0.5156	13.097
1/32	0.0312	0.794	17/32	0.5312	13.494
3/64	0.0469	1.191	35/64	0.5469	13.891
1/16	0.0625	1.588	9/16	0.5625	14.288
5/64	0.0781	1.984	37/64	0.5781	14.684
3/32	0.0938	2.381	19/32	0.5938	15.081
7/64	0.1094	2.778	39/64	0.6094	15.478
1/8	0.1250	3.175	5/8	0.6250	15.875
9/64	0.1406	3.572	41/64	0.6406	16.272
5/32	0.1562	3.969	21/32	0.6562	16.669
11/64	0.1719	4.366	43/64	0.6719	17.066
3/16	0.1875	4.762	11/16	0.6875	17.462
13/64	0.2031	5.159	45/64	0.7031	17.859
7/32	0.2188	5.556	23/32	0.7188	18.256
15/64	0.2344	5.953	47/64	0.7344	18.653
1/4	0.2500	6.350	3/4	0.7500	19.050
17/64	0.2656	6.747	49/64	0.7656	19.447
7/32	0.2812	7.144	25/32	0.7812	19.844
19/64	0.2969	7.541	51/64	0.7969	20.241
5/16	0.3125	7.938	53/64	0.8281	21.034
21/64	0.3281	8.334	27/32	0.8438	21.431
11/32	0.3438	8.731	55/64	0.8594	21.828
23/64	0.3594	9.128	7/8	0.8750	22.225
3/8	0.3750	9.525	57/64	0.8906	22.622
25/64	0.3906	9.922	29/32	0.9062	23.019
13/32	0.4062	10.319	59/64	0.9219	23.416
27/64	0.4219	10.716	15/16	0.9375	23.812
7/16	0.4375	11.112	61/64	0.9531	24.209
29/64	0.4531	11.509	31/32	0.9688	24.606
15/32	0.4688	11.906	63/64	0.9844	25.003
31/64	0.4844	12.303			
1/2	0.5000	12.700			

## FLEXIBLE ELECTRICAL CORD OR CABLE TO CORD GRIP SELECTION TABLE

Cord Type SJ-SJT0 SJO	Cord OD	Hub Size	Straight Cord Grip	Alternate Straight	90 Degree Cord Grip	45 Degree Cord Grip
—	.125-.188	1/2"	RSR-1003	RSR-103	RSR-9103	RSR-45103
—	.125-.188	3/4"	RSR-2103	—	—	—
—	.188-.250	1/2"	RSR-1004	RSR-104	RSR-9104	RSR-45104
—	.188-.250	3/4"	RSR-2104	—	—	—
18/2	.290	1/2"	RSR-1005	RSR-105	RSR-9105	RSR-45105
18/2	.290	3/4"	RSR-2105	—	—	—
18/3	.320	1/2"	RSR-1006	RSR-106	RSR-9106	RSR-45106
18/3	.320	3/4"	RSR-2106	—	—	—
18/4	.335	1/2"	RSR-1006	RSR-106	RSR-9106	RSR-45106
18/4	.335	3/4"	RSR-2106	—	—	—
16/2	.320	1/2"	RSR-1006	RSR-106	RSR-9106	RSR-45106
16/2	.320	3/4"	RSR-2106	—	—	—
16/3	.340	1/2"	RSR-1006	RSR-106	RSR-9106	RSR-45106
16/3	.340	3/4"	RSR-2106	—	—	—
16/4	.385	1/2"	RSR-1007	RSR-107	RSR-9107	RSR-45107
16/4	.385	3/4"	RSR-2107	—	—	—
14/2	.350	1/2"	RSR-1006	RSR-106	RSR-9106	RSR-45106
14/2	.350	3/4"	RSR-2106	—	—	—
14/3	.375	1/2"	RSR-1007	RSR-107	RSR-9107	RSR-45107
14/3	.375	3/4"	RSR-2107	—	—	—
14/4	.415	1/2"	RSR-1007	RSR-107	RSR-9107	RSR-45107
14/4	.415	3/4"	RSR-2107	—	—	—

Cord Type S-ST0-S0	Cord OD	Hub Size	Straight Cord Grip	Alternate Straight	90 Degree Cord Grip	45 Degree Cord Grip
18/2	.345	1/2"	RSR-1006	RSR-106	RSR-9106	RSR-45106
18/2	.345	3/4"	RSR-2106	—	—	—
18/3	.365	1/2"	RSR-1006	RSR-106	RSR-9106	RSR-45106
18/3	.365	3/4"	RSR-2106	—	—	—
18/4	.390	1/2"	RSR-1007	RSR-107	RSR-9107	RSR-45107
18/4	.390	3/4"	RSR-2107	—	—	—
16/2	.370	1/2"	RSR-1006	RSR-106	RSR-9106	RSR-45106
16/2	.370	3/4"	RSR-2106	—	—	—
16/3	.390	1/2"	RSR-1007	RSR-107	RSR-9107	RSR-45107
16/3	.390	3/4"	RSR-2107	—	—	—
16/4	.415	1/2"	RSR-107	RSR-1207	RSR-9107	RSR-45107
16/4	.415	3/4"	RSR-2107	—	—	—
14/2	.500	1/2"	RSR-109	RSR-1209	RSR-9109	RSR-45109
14/2	.500	3/4"	RSR-2109	RSR-209	RSR-9209	RSR-45209
14/2	.500	1"	RSR-309	—	RSR-9309	RSR-45309
14/3	.530	1/2"	RSR-109	RSR-1209	RSR-9109	RSR-45109
14/3	.530	3/4"	RSR-2109	RSR-209	RSR-9209	RSR-45209
14/3	.530	3/4"	RSR-209	—	RSR-9210	RSR-45210
14/3	.530	1"	RSR-309	RSR-310	RSR-9309	RSR-45309
14/4	.570	1/2"	RSR-110	RSR-1211	RSR-9110	RSR-45110
14/4	.570	3/4"	RSR-2110	RSR-211	RSR-9210	RSR-45210
14/4	.570	1"	RSR-310	RSR-311	RSR-9310	RSR-45310
12/2	.575	1/2"	RSR-110	RSR-1210	RSR-9110	RSR-45110
12/2	.575	3/4"	RSR-2110	RSR-210	RSR-9210	RSR-45210
12/2	.575	1"	RSR-310	—	RSR-9310	RSR-45310
12/3	.600	1/2"	RSR-110	RSR-1210	RSR-9110	RSR-45110

CORD CONNECTORS

WIRE MESH GRIPS

PICO-LINK

MICRO-LINK

ETHERLINK

MINI-LINK

MULTI-PORT BOXES

BUS SYSTEM PRODUCTS



## FLEXIBLE ELECTRICAL CORD OR CABLE TO CORD GRIP SELECTION TABLE

Cord Type S-STO-SO	Cord OD	Hub Size	Straight Cord Grip	Alternate Straight	90 Degree Cord Grip	45 Degree Cord Grip
12/3	.600	3/4"	RSR-2110	RSR-210	RSR-9210	RSR-45210
12/3	.600	1"	RSR-310	RSR-310	RSR-9310	RSR-45310
12/4	.650	1/2"	RSR-1211	—	—	—
12/4	.650	3/4"	RSR-211	RSR-2311	RSR-9211	RSR-45211
12/4	.650	1"	RSR-311	—	RSR-9311	RSR-45311
10/2	.625	1/2"	RSR-1211	—	—	—
10/2	.625	3/4"	RSR-211	RSR-2311	RSR-9211	RSR-45211
10/2	.625	1"	RSR-311	—	RSR-9311	RSR-45311
10/3	.660	1/2"	RSR-1211	—	—	—
10/3	.660	3/4"	RSR-211	RSR-2311	RSR-9211	RSR-45211
10/3	.660	1"	RSR-311	—	RSR-9311	RSR-45311
10/4	.710	1/2"	RSR-1212	—	—	—
10/4	.710	3/4"	RSR-212	RSR-2312	RSR-9212	RSR-45212
10/4	.710	1"	RSR-312	—	RSR-9312	RSR-45312
8/2	.675	1/2"	RSR-1211	—	—	—
8/2	.675	3/4"	RSR-211	RSR-2311	RSR-9211	RSR-45211
8/2	.675	1"	RSR-311	—	RSR-9311	RSR-45311
8/3	.725	1/2"	RSR-1212	—	—	—
8/3	.725	3/4"	RSR-212	RSR-2312	RSR-9212	RSR-45212
8/3	.725	1"	RSR-312	—	RSR-9312	RSR-45312
8/4	.780	1/2"	RSR-1213	—	—	—
8/4	.780	3/4"	RSR-213	RSR-2313	RSR-9213	RSR-45213
8/4	.780	1"	RSR-313	RSR-3514	RSR-9313	RSR-45313
8/4	.780	1 1/4"	RSR-414	—	RSR-9414	RSR-45414
8/4	.780	1 1/2"	RSR-514	—	RSR-9514	RSR-45514
6/2	.795	1"	RSR-313	RSR-3514	RSR-9313	RSR-45313
6/2	.795	1 1/4"	RSR-414	—	RSR-9414	RSR-45414
6/2	.795	1 1/2"	RSR-514	—	RSR-9514	RSR-45514
6/3	.865	1"	RSR-314	RSR-3514	RSR-9314	RSR-45314
6/3	.865	1 1/4"	RSR-414	—	RSR-9414	RSR-45414
6/3	.865	1 1/2"	RSR-514	—	RSR-9514	RSR-45514
6/4	.900	1"	RSR-315	RSR-3516	RSR-9315	RSR-45315
6/4	.900	1 1/4"	RSR-416	—	RSR-9416	RSR-45416
6/4	.900	1 1/2"	RSR-516	—	RSR-9516	RSR-45516
4/3	.975	1"	RSR-3516	—	—	—
4/3	.975	1 1/4"	RSR-416	—	RSR-9416	RSR-45416
4/3	.975	1 1/2"	RSR-516	—	RSR-9516	RSR-45516
4/4	1.100	1"	RSR-3518	—	—	—
4/4	1.100	1 1/4"	RSR-418	—	RSR-9418	RSR-45418
4/4	1.100	1 1/2"	RSR-518	—	RSR-9518	RSR-45518
2/3	1.170	1"	RSR-3520	—	—	—
2/3	1.170	1 1/4"	RSR-420	—	RSR-9420	RSR-45420
2/3	1.170	1 1/2"	RSR-520	—	RSR-9520	RSR-45520
2/4	1.290	1"	RSR-3522	—	—	—
2/4	1.290	1 1/4"	RSR-422	—	RSR-9422	RSR-45422
2/4	1.290	1 1/2"	RSR-522	—	RSR-9522	RSR-45522

**NOTE:** If a Mesh Grip is required, add letter 'E' to end of Remke part number. This chart is based on the cable diameters shown. The actual diameter of the cable being used may require the next larger or smaller cord grip bushing.

Cable diameters vary between manufacturers and because cable manufacturers must allow tolerance, their published data should be checked.

The bushing I.D. should be larger than, but as close as possible to, the cable O.D.



## WIRE MESH CABLE GRIPS WORKING LOAD AND SAFETY FACTOR CONSIDERATIONS

The grips in the catalog have listed Approximate Breaking Strength. The approximate breaking strength of a Remke grip represents an average calculation based on test factors which have been determined from data established from actual testing performed in our engineering laboratories. The actual testing is performed with new grips on metal rods, subject to straight longitudinal tensile loads applied at a uniform rate. Normal manufacturing and test factors can produce a variation of + or - 20% in the approximate breaking strength values listed.

The broad application of Remke Grips on a wide variety of objects requires that adequate safety factors be used to establish a safe working load. The ratio of the listed approximate breaking strength to the normal working load is the safety factor. As an example, a safety factor of ten (10) would then mean the working load is established by dividing the catalog listed approximate breaking strength by ten (10), or it can be stated that the working load is 1/10 of the catalog listed approximate breaking strength.

It is impossible to set a safety factor suitable for all cases as operating conditions are never the same. The load, the speed, the acceleration, the diameter, number of objects gripped, surface of object being gripped, and the attachments used—all of these should be considered, together with the effects of abrasions, corrosion, prior use, or abuse, etc. The user- engineer must consider all the variables of his specific application, as well as possible accident consequences, before selecting the safety factor to be applied. Where the conditions of the application are not well defined or where risk of personnel or property damage is high, a greater safety factor should be utilized.

Any warranty as to quality, performance or fitness for use of grips is always premised on the condition that the published approximate breaking strengths apply only to new, unused grips and that such products are properly stored, handled, used, maintained, and properly inspected from time to time during the period of use.

The factory should be consulted for specific application recommendations where approximate breaking strength and holding are considered critical.

## SUPPORT AND PULLING GRIPS ATTACHMENTS

### DOUBLE EYE SUPPORT GRIP

Use when cable is vertical and extends past the grip without bending. May be fastened to open hooks within 15° from vertical axis. Double eye allows fully balanced load as long as eyes are equally supported.

### SINGLE EYE SUPPORT GRIP

Use when cable is vertical, when the cable bends, or where a single attachment eases application.

### OFFSET EYE SUPPORT GRIP

Use when offset positioning is necessary.

### UNIVERSAL BALE SUPPORT GRIP

Use on continuous structural objects such as pipes or beams. The adjustable bale wraps around the object and self-locks into the bar.

## APPLICATION GUIDE FOR WIRE MESH PRODUCTS

### SUPPORT GRIPS

General Purpose Standard Supports Grips are used indoors or outdoors to support the weight of cable, metal rods, hose, or tubing in vertical or sloping applications. Specific applications include buildings, poles, excavations, mine shafts, towers, elevators, potheads, terminators or other structures. They assist in absorbing strain and flexure, and resist pullout, flexure, and vibration. They will support cable, rods and tubing with loads up to 600 lbs. for runs up to 100 feet. All support grips will hold more than one cable.

### MATERIALS

Support grip mesh is made of high grade wire formed into a flexible strand. Standard construction is single weave, double weave is available as custom item. The standard material is tin coated bronze which is non magnetic. Stainless Steel 302 or 304 may be used where high tensile strength of the grip is required or for severe atmospheric conditions. Both of these materials generate only minor heat when exposed to the magnetic field produced by high amperage AC cables. This prevents possible damage to the cable insulation or injury to the user.

### FEATURES/BENEFITS

- Security-grip supports cable and removes strain from individual conductors
- Makes connection safe by preventing strain on terminals, eliminating electrical accidents and power failures.
- Eliminates costly downtime and maintenance.
- Easily installed and removed, not requiring any special skill or tool.
- Permits cable to "breathe" (expand or contract) without loss of holding action.
- Instantly relocated or repositioned which saves time and labor.
- Conforms to shape of cable.

### WORKING LOAD/SAFETY FACTOR

The approximate breaking strength of a Remke grip represents an average calculation based on test factors which have been determined in our engineering labs using NEW grips and metal rods. The broad application of Remke grips request adequate safety factors to be used to establish a SAFE working load. As a rule of thumb the working load may be considered 1/10 of the approximate breaking strength listed in the catalog. Refer to specific catalog pages for more information.

CORD CONNECTORS

WIRE MESH GRIPS

PICO-LINK

MICRO-LINK

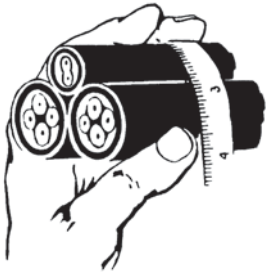
ETHERLINK

MINI-LINK

MULTI-PORT BOXES

BUS SYSTEM PRODUCTS





## GRIP SIZE—MULTIPLE CABLES

To determine grip size when more than one cable is held in a single grip, measure envelope of cables to be held using a diameter-circumference tape. For oval configuration (or where envelope of cables cannot be measured) please contact factory.

## CLOSED MESH

Used where end of cable is available. Grips may be slid along considerable length of cable faster—easier than using split groups.

## CLOSED MESH—DOUBLE EYE—SINGLE WEAVE

Use when cable is vertical and extends past the grip without bending. May be fastened to open hooks within 15° from vertical axis. Allows fully balanced load as long as eyes are equally supported.

## CLOSED MESH—SINGLE EYE—SINGLE WEAVE

Use when cable is vertical, when the cable bends, or where a single attachment eases application.

## DOUBLE EYE GRIPS

- Breaking strength listed is for straight uniform load with balanced eye loading. If this condition is not true, rating reduction by at least 50% may be required.
- Maximum angle of eye (from longitudinal centerline of grip) is 15°, actual dimension from cable varies with bail length.
- Do not increase diameter of formed eye.
- Decreasing radius of formed eye is usually not harmful.

## SINGLE EYE GRIPS

- Single eye is strongest attachment.
- Use when cable bends or where single attachment is desired.
- No unequal loading probe as with double eye type.

## BUS DROP GRIPS

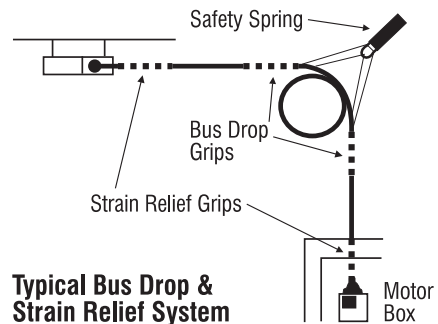
Bus Drop Grips are for indoor use only.

- Support flexible cord or cable when supplying power from an overhead source.
- Designed to support weight of cable, relieve tension and absorb vibration, or flexure.
- Supports the load without damage to the cable.
- Prevent pullouts which can cause accidents, downtime, and loss of production.
- Easy installation.

Bus Drop Grips with Safety Springs can be used to absorb sudden strains caused by accidental hitting, pulling or bending of the cable. They are used primarily where flexible cable connects electrical equipment to bus duct. They are also used to support or restrain air hose and water hose.

Double Bus Drop Grips store excess cable neatly.

Bus Drop Grips with Safety Springs and Strain Relief Grips can provide a complete flexible cord system which adapts to any layout. The Strain Relief Grips relieve the strain on the terminals. The Bus Drop Grips provide positive permanent support which, unlike rigid conduit systems, can be adjusted instantly if equipment is repositioned. Almost any system can be installed quickly even in cases where equipment and bus duct are distantly located or awkwardly positioned.



## MATERIAL

The standard mesh material is galvanized steel which has high tensile strength and corrosion resistance (more than adequate for most indoor applications).

Optional stainless steel grips are available.

All Bus Drop Grips are "Wide Range" (to accept more cable per size) with strand equalizers which uniformly distribute compressive force over a large area of the cable for maximum gripping strength with minimum concentration of force without pinching the cable.

(Continues on next page.)

## BUS DROP GRIPS

(Continued from previous page.)

### FEATURES/BENEFITS

- Few Grips are needed to fit many cable sizes.
- Readily installed, adjusted, repositioned, removed or re-used which saves time and money when relocating plant wiring or machines.
- Easily attached to both open and closed end structures.
- Automatically adjust their gripping to hold the required load.
- No special installer skill or special tools required.
- Increases safety to personnel working in the application area.

### WORKING LOAD/SAFETY FACTOR

This is an abbreviated version of the more detailed information on catalog page 59. The approximate breaking strength of the Remke grip represents an average calculation based on test factors which have been determined in our engineering labs using NEW grips and metal rods. As a rule of thumb the working load may be considered 1/10 of the approximate breaking strength listed in the catalog.

**CAUTION:** The broad application of Remke grips requires adequate safety factors be used to establish a SAFE working load. Refer to specific catalog pages for more information.

**Single Eye Grips** employ a single eye for each attachment to open hooks or other open end structural members. The formed eye tube assures long, trouble-free resistance to wear. Can be used with SAFETY SPRINGS.

**Universal Bale Grips** employ a flexible "universal" bail eye for each attachment around closed-end structures such as pipe, columns or through closed eyes. The universal bail is a secure, self-locking attachment and is reusable. Removal is simple and quick. Can be used with SAFETY SPRINGS.

**Safety Springs** can be used with either SINGLE EYE or UNIVERSAL BALE GRIPS to relieve sudden tensions exerted on cable system. When used with single eye grip, disassemble drawbar from coil, placing drawbar through eye of grip, then replace drawbar.

## LIQUA-SEAL® (MESH) CONNECTORS

Liqua-Seal (Mesh) Connectors prevent pullout and provide strain relief when connecting liquid-tight flexible metal conduit to electrical enclosures.

### MATERIAL

The standard mesh design is single weave, corrosion free stainless steel. These mesh grips are available with fittings made of steel (3/8"–1" straight connectors) or ductile iron (1- 1/4"–2" straight connectors and all 45° and 90° connectors), with or without insulated throat.

### FEATURES/BENEFITS

- The mesh exerts a uniformly distributed compressive force over a large area of the conduit for maximum gripping without pinching the conduit.
- An endless weave conforms to the conduit, eliminating wedging or crushing of the conduit at that point.
- Mesh material has high tensile strength and corrosion resistance.
- Readily installed, adjusted, repositioned, removed or reused.
- Automatically adjust their gripping to hold the required load.
- No special installer skills or special tools required.

### WORKING LOAD/SAFETY FACTOR

(See Wide Range Strain Relief Grips)

### STANDARD STRAIN RELIEF CONNECTOR GRIPS

Standard Strain Relief Connector Grips are used in conduit hubs or knock-outs at the point where the portable electrical cable is to be terminated. They provide an environmental seal against dirt, moisture, coolants, corrosive fumes, etc. and provide strain relief where undue strain on the cable would otherwise cause loosening or pull-out at the individual wire terminals. Primary applications are in the wiring of portable power tools, power centers and bus drop cable systems.

### MATERIAL

The Standard mesh design is multi-weave corrosion free stainless steel. These mesh grips are available with fittings made of aluminum in straight, 45° or 90° body design; also with fittings made of steel, stainless steel or nylon in straight body design. All these fittings come with neoprene bushings.

### FEATURES/BENEFITS

- The mesh exerts a uniformly distributed compressive force over a large area of the cable for maximum gripping without pinching the cable.
- An endless weave conforms to the cable jacket, eliminating wedging or crushing of the cable at that point.
- Mesh material has high tensile strength and corrosion resistance.
- Readily installed, adjusted, repositioned, removed or reused.
- Automatically adjust their gripping to hold the required load.
- No special installer skills or special tools required.

### WORKING LOAD/SAFETY FACTOR

(see Wide Range Strain Relief Grips)

CORD CONNECTORS

WIRE MESH GRIPS

PICO-LINK

MICRO-LINK

ETHERLINK

MINI-LINK

MULTI-PORT BOXES

BUS SYSTEM PRODUCTS



## WIDE RANGE STRAIN RELIEF GRIPS

Wide Range Strain Relief Grips connect flexible cord or bus drop cable to electrical enclosures and equipment. Designed primarily to prevent pull tension on cable to be transmitted to the joints or terminals. The National Electrical Code requires terminal tension protection. Easily installed. Primary applications are indoors in the wiring of electrical enclosures, such as power boxes, cabinets, panel boards, machine tools, portable power tools, power centers and bus drop cable systems.

They can be used with Bus Drop Grips and Safety Springs to provide a complete flexible cord system that adapts to any layout.

### MATERIAL

The standard mesh design is wide range mesh single weave, made of galvanized steel. Gasket seals are made of P.V.C. Available with insulated or non-insulated fittings made of aluminum.

### FEATURES/BENEFITS

- The mesh exerts a uniformly distributed compressive force over a large area of the cable for maximum gripping without pinching the cable.
- An endless weave conforms to the cable jacket, eliminating wedging or crushing of the cable at that point.
- Mesh material has high tensile strength and corrosion resistance (more than adequate for most indoor applications).
- P.V.C. gasket seals out large dust particles, lint or metal filings and other contaminants from the electrical connections.
- SR series has a male N.P.T. tapered thread and locknut for the 1/2"–2-1/2" thread size. This allows easy attachment to enclosures up to 3/8" thick. An insulated bushing is provided to prevent metal to conductor contact.
- Adjusts to wide range of cable or cord diameters, so fewer grips are needed to fit many cable sizes.
- Readily installed, adjusted, repositioned, removed or reused.
- Makes relocating plant wiring and machines easy.
- Automatically adjust their gripping to hold the required load.
- No special installer skills or special tools required.

## WORKING LOAD/SAFETY FACTOR

This is abbreviated version of the more detailed information on catalog page 71. The approximate breaking strength of a Remke grip (as shown in the catalog) represents an average calculation based on test factors which have been determined in our engineering labs using NEW grips and metal rods. As a rule of thumb the working load may be considered 1/10 of the approximate breaking strength listed in the catalog. CAUTION: The broad application of Remke grips requires adequate safety factors be used to establish a SAFE working load. Refer to specific catalog pages for more information.

### FACTORY ASSISTANCE

When factory assistance is required for specific applications, etc., please be prepared to provide all pertinent information:

1. Object to be gripped
2. Material of object to be gripped
3. Environment (temperature, abrasion corrosion)
4. Diameter range
5. Eye length
6. Mesh length
7. Mesh material
8. Length of support
9. Other special conditions

CORD CONNECTORS

WIRE MESH GRIPS

PICO-LINK

MICRO-LINK

ETHERLINK

MINI-LINK

MULTI-PORT BOXES

BUS SYSTEM  
PRODUCTS





# Remke Molded Connectors & Cordsets

Faster Installation to Lower Costs, Improve Productivity & Eliminate Downtime

## Molded Connectors and Cordsets...

Are manufactured for easier installation, maintenance and reliability to keep your costs low and your production up! They are commonly used as sensor connectors and in control devices where easy change-out is needed.

As the demand grows for greater levels of circuit integrity and production uptime, so does the need for molded cable assemblies with pin-connectors. Industries that depend on automated processes find that molded cable assemblies are the right choice for reliability.

Remke Tuff-Link™ Molded Connectors & Cordsets are made in the USA with an extensive inventory ready to ship to OEM's and distributors all over the world. Our molded connectors meet the standards you need for use with sensors and control devices to provide easier initial installations & quick component replacement in all types of industrial applications.

## The Remke Family of Molded Connector Products

The Tuff-Link family offers a wide-range of standard cable & connector options including:

- M12 Micro-Link connectors available in PVC, PUR, TPE & Rubber
- 2-12 pole Mini-Link connectors with selection of cable & molding material
- M12 connectors
- M12 Etherlink connectors
- 8mm Pico-Link connectors
- Micro-Port & Mini-Port Distribution Boxes
- M12 & M8 Attachable connectors
- Bus System products for DeviceNet™ & other CAN network architecture



### Meeting the Needs of A Single Customer

With our expansive component inventory Remke can create more configurations & combinations than anybody else. Engineered solutions are available to all customers with no additional fees! When the product you need doesn't exist in the standard line talk to us ..... *The Remke Engineered Solutions team.*



### Why Choose Remke?

When you choose Remke you say goodbye to logistical nightmares like delivery times and product quality from offshore producers. Made-in-the-USA means we're literally/physically closer to you so that molded connectors & cord grips can be delivered when you need them.



## Markets Served...

Tuff-Link™ Cable Molded Connectors & Cordsets from Remke Industries are used in a wide variety of industrial & commercial markets.

To assist you in determining which products are best suited for your application, we have subdivided this matrix into products for General Industry (such as automation and OEM's) and products for Corrosion Resistant markets such as food processing & petrochemical.

### GENERAL INDUSTRY

Remke Product	Automation	Material Handling	Original Equipment Manufacturer	Maintenance Repair Operations	Lighting	Renewable Energy
<b>Tuff-Link Molded Connectors</b>						
Pico-Link Connectors	■	■	■	■	■	■
TPE Mini-Link Connectors	■	■	■	■	■	■
Rubber Mini-Link Connectors	■	■	■	■	■	
PVC Mini-Link Connectors	■	■	■	■	■	■
PVC Micro-Link Connectors	■	■	■	■	■	■
PUR Micro-Link Connectors	■	■	■	■	■	■
TPE Micro-Link Connectors	■	■	■	■	■	■
M12 Etherlink Connectors	■	■	■	■		■
Micro/Mini-Port Distribution Boxes	■	■	■			
Bus System Products	■	■	■			

### CORROSION RESISTANT

Remke Product	Food Processing	Wastewater Treatment	Petro Chemical	Pulp & Paper
<b>Tuff-Link Molded Connectors</b>				
Pico-Link Connectors	■			
TPE Mini-Link Connectors	■	■	■	■
Rubber Mini-Link Connectors	■		■	■
PVC Mini-Link Connectors	■	■	■	■
PVC Micro-Link Connectors	■			■
PUR Micro-Link Connectors	■	■	■	■
TPE Micro-Link Connectors	■	■		
Micro/Mini-Port Distribution Boxes	■		■	



# Tuff-Link™ Molded Connectors & Cordsets



## PICO-LINK CONNECTORS

Designed to meet critical IP 65 and IP 67 standards, the family of Pico-Link connectors features standard M8 couplers in 3 or 4 pole configurations, straight or 90 degree, male and female. Connector/cable options include PVC for outstanding durability in general industrial applications, or PUR for superior resistance against oil and continuous flexing and for excellent abrasion resistance in high abuse areas.

### Pico-Link connectors feature:

- Space saving compact design – especially useful in applications with a high density of inputs & outputs
- Gold-plated brass contacts for enhanced corrosion resistance and conductivity
- Nickel-plated brass coupling nuts for enhanced corrosion resistance
- 100% factory pre-testing to ensure optimal performance

Engineered Solutions for Pico-Link connectors can include unique M8/M12 cordset combinations & variable cable lengths.



## MICRO-LINK CONNECTORS

Micro-Link connectors are available in four different materials – PVC, PUR, TPE and Rubber – to protect against environmental and temperature concerns. This family of connectors, cable assemblies and receptacles offer NEMA 6P and IP 68 protection in 2 thru 6 pole configurations, straight or 90 degree, male & female.

### Micro-Link connectors feature:

- Pin configurations used by major U.S. & European sensor manufacturers
- Machined contacts (instead of stamped contacts) for highly accurate tolerances
- Shielded and splitter styles
- Gold-plated contacts for enhanced corrosion-resistance and conductivity
- High-impact resistant contact carriers for longer product life
- Vibration-resistant design so the connector will stay securely fastened to the sensor or mating receptacle

Engineered Solutions for Micro-Link connectors can range from special colors & lengths to unique materials and hardware options, to special wire preparation like stripping or tinning of conductors.



## M12 ETHERLINK CONNECTORS

Remke M12 Etherlink Connectors feature our industrial-strength Micro-Link molded connectors with industry-standard D-coding for Ethernet and Fieldbus use. M12 connectors are very sturdy despite their small size, and they provide a reliable connection even when subjected to shock or vibration. Etherlink connectors offer IEC 11801:2002 Cat5 compliance with TPE cable that is shielded against EMC interference. Easy-to-install TPE cable is also ideal for high flex applications in harsh environments where the highest degree of oil resistance and extended service life are essential.

Rated IP 68 and NEMA 6P, Remke M12 Ethernet connectors support data rates up to a Gigabit and are able to withstand the most rugged industrial environmental conditions to ensure high Ethernet or Fieldbus network availability. Quick and cost-effective to install and put into operation, these M12 connectors are molded to shielded TPE cable for Cat5e data performance. 360° EMI shielding is important to all applications that depend on both high bandwidth and secure data transmission.

### Features of Remke M12 Etherlink Connectors includes:

- Single and double-ended options
- Available in male & female, straight and 90 degree configurations
- Temperature range from -40°C to +80°C
- Receptacles designed for conventional threaded connections to ensure reliable mating
- 100% factory tested

TPE cable features an abrasion-resistant jacket with 3 times the low-temperature flexibility and resists solvents, chemicals and fuels better than ordinary PVC. Applications for Remke M12 Ethernet connectors include manufacturing, process control, factory automation and more.







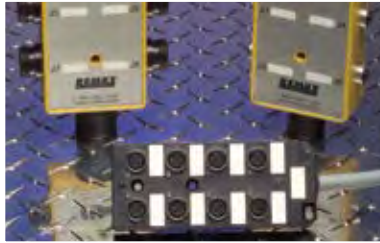
## MINI-LINK CONNECTORS

Mini-Link rubber plugs & cable assemblies are ideally suited for applications where flexibility and resistance to stress, abuse or harsh environments or a broad temperature range is important. Connector/cable options include PVC (plastic) for general industrial applications and Silicone for high-temperature concerns. Mini-Link connectors are available in 2-12 pole configurations, straight and 90 degree, male & female.

### Mini-Link connectors feature:

- NEMA 6P & IP 68 protection
- Nickel coated then gold-plated contacts for enhanced corrosion resistance & conductivity
- Precision machined contacts for highly accurate tolerances
- Pins & contacts crimped onto wires assuring secure terminations
- Connectors that meet or exceed UL, CSA, NEMA, SAE, IEC and automotive specifications
- Heavy-duty SOOW, SJOOW or STOW cable options

Engineered Solutions for Mini-Link connectors can range from unique lengths to optional materials and hardware to different assemblies for adapters or special wire preparation like stripping or tinning of conductors.



## MICRO-PORT AND MINI-PORT I/O BOXES

Tuff-Link I/O Boxes consolidate up to 12 connections into a single base unit which reduces the cabling required in control system wiring. These boxes can be used with either 12mm or 18mm proximity sensors, limit switches, solenoids or miniature controls. All I/O boxes feature parallel wiring, gold-plated contacts for enhanced connectivity and are available with PVC, PUR or Rubber cables to address different environmental concerns.

### Micro-Port I/O Boxes feature:

- 4, 6 or 8 outlets
- 3 or 4 pole single or dual keyway configurations

### Mini-Port I/O Boxes feature:

- 4, 6, or 8 outlets
- 3 pole configuration

Engineered Solutions for Tuff-Link I/O Boxes includes custom wiring, labeling, color, packaging, hardware and even combination boxes that are part mini, part micro.



## BUS SYSTEM CONNECTOR PRODUCTS

Tuff-Link Bus System Connector Products have been designed to meet DeviceNet™ and other CAN bus system network architecture. Designed for harsh industrial environments including IP 68 conditions, our bus system products includes connectors, cable assemblies, receptacles, molded tees, terminators and several types of multi-port junction boxes.

### Features of our Bus System Connector products include:

- NEMA, IEC, UL and CSA standards
- Single or double-ended cable assemblies in a variety of male/female and straight/90 degree configurations
- Standard O-Rings and locknuts in the panel mount receptacles (usually additional from other manufacturers) to form the tightest seal possible
- Passive feed-thru and passive drop junction boxes
- Optional stainless steel couplers

Engineered Solutions are available for any configuration of Bus System Connector Products including variations by length of cable, connector color & corrosion-resistant hardware.



## ATTACHABLE CONNECTORS

Tuff-Link M8 and M12 Attachable Connectors are offered in 3, 4 and 5-pole configurations in either straight or 90 degree versions. These field-wireable connectors convert hardwired sensors into quick-disconnect types and provide positive, compact cable terminations in harsh environments. Attachable connectors are ideal for creating custom length cordsets in the field.

### Features of our Tuff-Link Attachable Connectors include:

- Meet IP 67 standards
- Gold-plated contacts for enhanced corrosion-resistance and conductivity
- Easy methods of cable termination and identification



# REMKE | ENGINEERED SOLUTIONS

## Tuff-Link Engineered Solutions Are Second To None

In the Tuff-Link™ family of Molded Connectors & Cordsets, you can mix and match from our extensive selection of special materials, special hardware, special wiring, custom packaging, kitting and private labeling to develop the Molded Connector or Cordset that meets your specific needs.

### Special Materials

For coupling nuts and receptacle bodies, you can choose from these five types of special materials:

- Anodized Aluminum: for most industrial applications
- Stainless Steel: durability in severely corrosive environments
- Non-Metallic: best suited for damp locations
- Nickel-Plated Brass: corrosion resistant & conforms to EMC requirements
- Peek™ polymers: ideal for applications with high temperatures or high pressure water

### Special Materials For Over Molding and Cable Include the Following:

- Rubber for use in applications with extremes of temperatures, hot substrates like weld spatter, or where solvents, oil and coolants exist
- Silicone that is best used in high temperatures
- PVC which is best for general assembly applications
- PUR for excellent abrasion resistance for high abuse areas
- TPE that offers excellent chemical and abrasion resistance

### Special Hardware

- You can choose from a variety of custom receptacle bodies and coupling nuts.
- Remke offers five types of custom shells; flange mount, panel mount, back panel mount, P.C. type and SAE or metric threading
- For couplers you can select either internally threaded, externally threaded or the 'housing protective' type where the coupler is threaded but covers the entire sensor for protection

### Custom Cable Assemblies

### Special Wiring

- For custom products or specials, Remke offers several types of special wiring including: combination wiring where one side is parallel and the other is wired in series; interlocking circuit wiring; parallel wiring; series wiring; and wiring that is specified by a customer.

### Custom Packaging, Kitting and Private Labeling



# STANDARD PRODUCT OFFERING TABLE OF CONTENTS

SECTION	PAGE
<b>Pico-Link (M8) Connectors</b>	
Overview of Product Line .....	83
Plug Assemblies .....	84
Attachable Connectors .....	85
<b>Micro-Link Connectors</b>	
Overview of Product Line & Ordering Matrix .....	86-87
Single Key Connectors	
PVC Plug & Cable Assemblies .....	88-90
PUR Plug & Cable Assemblies .....	91-93
TPE Plug & Cable Assemblies .....	94-96
Rubber Plug & Cable Assemblies .....	98-100
Shielded-to-Coupler Plug & Cable Assemblies .....	101-102
Receptacles .....	104-105
Dual Key Connectors	
PVC Plug & Cable Assemblies .....	106-108
PUR Plug & Cable Assemblies .....	109-111
TPE Plug & Cable Assemblies .....	112-114
Shielded-to-Coupler Plug & Cable Assemblies .....	115-116
Rubber (SJOOW) Plug & Cable Assemblies .....	117-119
Receptacles .....	120-121
Splitters .....	122-123
Accessories .....	124
Attachable Connectors .....	125
<b>M12 Etherlink Connectors</b>	
Overview of Product Line & Ordering Matrix .....	126-127
M12 Plug & Cable Assemblies .....	128-129
M12 D-Code/RJ45 Cordset .....	130
M12 Receptacles .....	131
<b>Mini-Link Connectors</b>	
Overview of Product Line & Ordering Matrix .....	132-133
PVC Plug & Cable Assemblies	
2 to 6 Pole .....	134-136
6 to 8 Pole .....	138-140
9 to 12 Pole .....	142-144
PVC Tee Connectors .....	145
Rubber Plugs & Cable Assemblies	
2 to 6 Pole .....	146
6 to 8 Pole .....	147
9 to 12 Pole .....	148
Silicone Assemblies	
2 to 5 Pole .....	149
Receptacles	
2 to 6 Pole .....	150
6 to 8 Pole .....	151
9 to 12 Pole .....	152
Silicone Receptacles .....	153
Mini Attachables .....	154
Accessories .....	155
<b>Micro-Port and Mini-Port Distribution Boxes</b>	
Overview of Product Line .....	157
4/6/8 Outlet Micro-Link Single Key Boxes .....	158-159
4/6/8 Outlet Micro-Link Dual Key Boxes .....	160-161
4/6/8 Outlet Mini-Link Boxes .....	162-163
<b>Bus System Connector Products</b>	
Overview of Product Line & Ordering Matrix .....	164-165
Trunk/Drop (Thick & Thin) Bulk Cable Specifications .....	166-167
Mini-Type Single & Double Ended Cable Assemblies (Trunk/Thick) .....	168-169
Mini-Type Single & Double Ended Cable Assemblies (Drop/Thin) .....	170-171
Micro-Type Ordering Matrix .....	172
Micro-Type Single & Double Ended Cable Assemblies (Drop/Thin) .....	173-174
Mini & Micro-Type Double Ended Cable Assemblies (Drop/Thin) .....	175
Mini-Style Distribution Boxes .....	176-177
Micro-Style Distribution Boxes .....	178-179
Mini & Micro-Type Receptacles .....	180-181
Mini & Micro-Type Bus Drop Tees .....	182-183
Terminators & Wiring Accessories .....	184-185
<b>Tuff-Link Technical Reference Section</b> .....	186





# PICO-LINK™ (M8) CONNECTORS PRODUCT FAMILY



## PICO-LINK 8 MM CONNECTORS

Compact Pico-Link Connectors from Remke Industries are available in coupler (or threaded) versions to allow easy and secure connections for the smallest of control devices. This family of industrial interconnects are available in male or female 3 and 4 pole configurations in either straight or 90° designs.

Features of the 8mm Pico-Link family of interconnects and cordsets includes:

- Space savings compact design – especially useful in locations with a high density of inputs & outputs
- PVC cable for outstanding durability or PUR for superior resistance against oil, abrasions & continuous flexing
- Excellent resistance to common industrial oils & fluids
- Gold-plated brass contacts provide a durable and consistent low-resistance path
- Nickel-plated brass coupling nuts for enhanced corrosion resistance

## TYPICAL APPLICATIONS USING PICO-LINK CONNECTORS

- Automotive assembly
- Robotic end-arm tooling
- Sensors on conveyors
- Gear tooth sensing
- Material handling equipment
- Packaging equipment

## PRODUCTS WHICH TYPICALLY USE PICO-LINK CONNECTORS

- 8mm tubular proximity sensors
- Miniature photoelectric sensors
- Flow sensors
- Miniature modular controls

CORD CONNECTORS

WIRE MESH GRIPS

PICO-LINK

MICRO-LINK

ETHERLINK

MINI-LINK

MULTI-PORT BOXES

BUS SYSTEM PRODUCTS





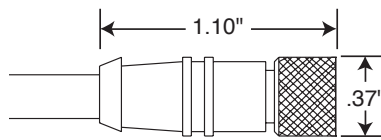
# PICO-LINK™ (M8) PLUG ASSEMBLIES

## SPECIFICATIONS

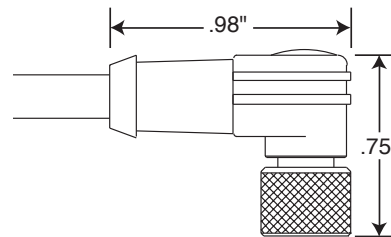
MATERIALS	
Connector	PUR
Contacts	Brass, Gold Plated
Coupling Nut	Brass, Nickel Plated
Cable	#24 AWG PVC UL Style 2517, 105°C, UL Recognized, CSA Certified
Cable Diameter	3/C - 4.5mm PVC nominal, 4/C - 5.0mm PVC nominal
ELECTRICAL	
Voltage Rating	10 to 30 VDC
Contact Resistance	≤5mΩ
Current	3A Max.
ENVIRONMENTAL	
Protection	IP67
Operating Temp	-25°C to 90°C
NOTE	
M8 X .05 threaded receptacles with 0.5m lead also available.	
Additional cable lengths available upon request. Consult factory.	

## PLUG ASSEMBLY PART NUMBERS

Number of Poles	Female Face View	Cable Length	Female Straight	Female 90 Degree
3		2M	PC03A006611E	PC03C006611E
		3M	PC03A009811E	PC03C009811E
		5M	PC03A016411E	PC03C016411E
		10M	PC03A032811E	PC03C032811E
4		2M	PC04A006611E	PC04C006611E
		3M	PC04A009811E	PC04C009811E
		5M	PC04A016411E	PC04C016411E
		10M	PC04A032811E	PC04C032811E



FEMALE STRAIGHT



FEMALE 90°



# PICO-LINK™ (M8) ATTACHABLE CONNECTORS

## SPECIFICATIONS

### MATERIALS

Body	Nylon
Contact Carrier	Nylon
Contact	Copper Alloy, Gold Plated
Coupling Nut	Brass with Nickel Plating
Cable Outlets	4 to 5mm

### ELECTRICAL

Voltage Rating	3 and 4 Pole 60VAC/DC
Current	4 amps

### ENVIRONMENTAL

Protection	IP67
Operating Temp	-25°C to 70°C

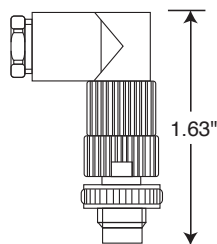
NOTE: Solder Style Terminals

## CONNECTOR PART NUMBERS

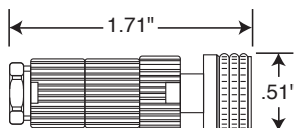
Number of Poles	Female Face View	Cable Entry	Male Straight	Male 90 Degree	Female Straight	Female 90 Degree
3		PG7	M803EFW7	M803FFW7	M803AFW7	M803CFW7
4		PG7	M804EFW7	M804FFW7	M804AFW7	M804CFW7



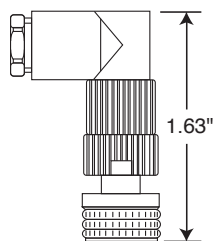
MALE STRAIGHT



MALE 90°



FEMALE STRAIGHT



FEMALE 90°

CORD CONNECTORS

WIRE MESH GRIPS

PICO-LINK

MICRO-LINK

ETHERLINK

MINI-LINK

MULTI-PORT BOXES

BUS SYSTEM PRODUCTS





# MICRO-LINK™ PRODUCT FAMILY

## MICRO-LINK™ MOLDED CONNECTORS & CORDSETS

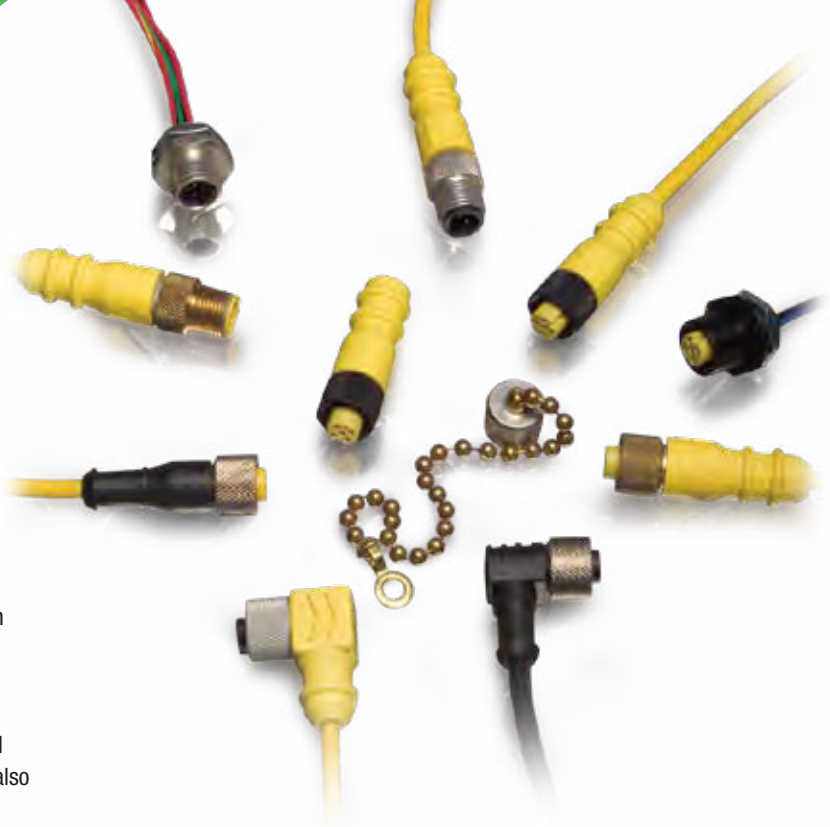
All molded connectors in the Remke Micro-Link family are available in PVC, PUR, TPE and Rubber to protect against harsh conditions as well as numerous environmental & temperature concerns. This family of molded connectors & cordsets are available in male & female, 2 thru 6 pole, straight or 90° configurations and single - dual keyway - or ethernet-enabled design. Optional LED's and cable with or without braiding are also available upon request.

## FEATURES OF MICRO-LINK MOLDED CONNECTORS

Features of the family of Micro-Link Molded Connectors & Cordsets include:

- IP68 protection for enhanced moisture resistance
- Fast & easy replacement of 12mm to 18mm sensors, switches & control components
- Factory molded-to-the-cable construction for durability
- Mechanically keyed to eliminate mismatching
- M12 Etherlink connectors with industry-standard D-Coding for Ethernet & Fieldbus use
- Shielded connectors with a 360° aluminum mylar foil shield to minimize electrical interference that tends to disrupt the signal to the control device
- Splitter-style that is available with a version molded-to-cable for a double/single ended configuration

Micro-Link connectors have been designed for low amperage AC or DC control systems and are compatible with the pin configurations used by major U.S. and European sensor manufacturers.



## TYPICAL APPLICATIONS USING MICRO-LINK CONNECTORS

- Automotive Assembly
- Sensors on Conveyors
- Pick and Place Robots
- Packaging Machinery
- Automated Machinery
- Material Handling Equipment

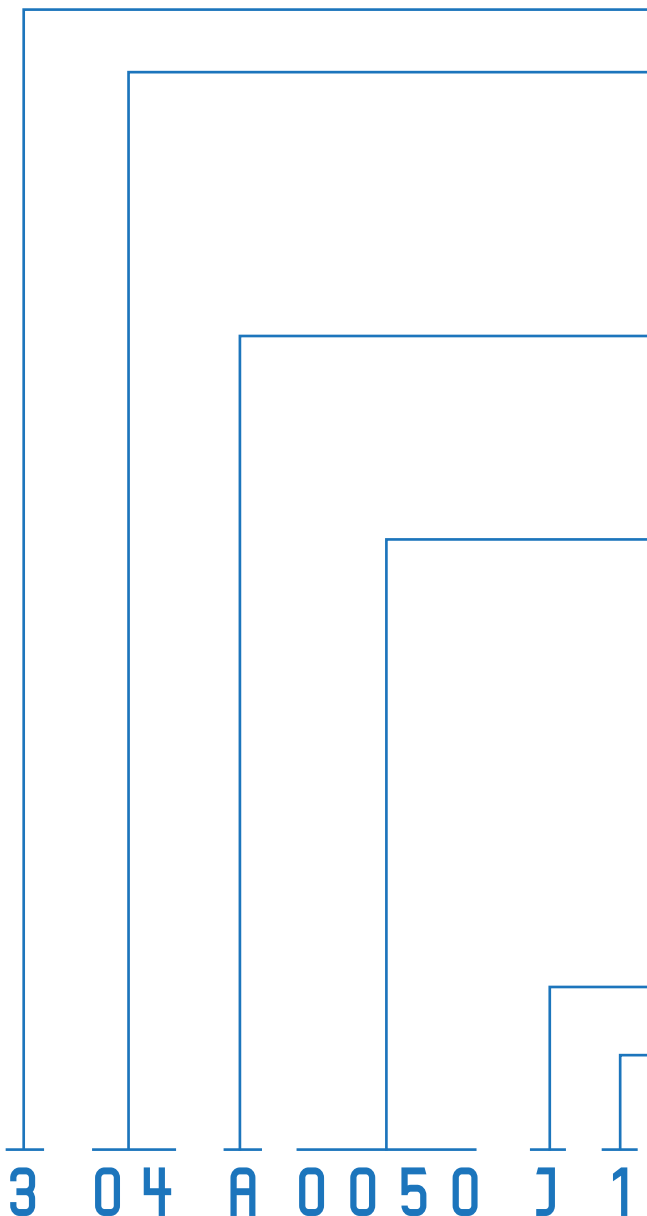
## PRODUCTS THAT TYPICALLY USE MICRO-LINK CONNECTORS

- Proximity Sensors
- Limit Switches
- Photoelectric Switches
- Solenoids
- Hydraulic and Pneumatic Valves





# MICRO-LINK™ ORDERING INFORMATION



Use this example for help when ordering.

MICRO-LINK STYLE CONNECTOR SERIES
2 = (AC) Dual Key (PVC)
3 = (DC) Single Key-M12 (PVC)
4 = (AC) Dual Key (PUR)
5 = (DC) Single Key-M12 (PUR)
6 = (AC) Dual Key (SJ00W)
7 = (DC) Single Key-M12 (SJ00W)

NUMBER OF POLES
02 = 2 Pole
03 = 3 Pole
04 = 4 Pole
05 = 5 Pole
06 = 6 Pole

CONNECTOR STYLE	
A = Female Straight	O = Female/Female
C = Female 90 Degree	P = Male Recpt. 1/2" NPT
E = Male Straight*	R = Male Recpt. 1/4" NPT
F = Male 90 Degree*	S = Female Recpt. 1/4" NPT+
K = Male/Female (STRT/STRT)*	T = Male Recpt. M14 X 1
L = Male/Female (STRT/90D)*	+ = Internal Threads
M = Male/Female (90D/STRT)*	* = Male Has External Threads
N = Male/Female (90D/90D)*	Note: Other connector styles available. Consult Factory.

ASSEMBLY LENGTH (FT.)	
1st Digit is 100 x Length	Ex: 0005 is 1/2 Ft.
2nd Digit is 10 x Length	0050 is 5 Ft.
3rd Digit is 1 x Length	0500 is 50 Ft.
4th Digit is .1 x Length	5000 is 500 Ft.

DUAL KEY CABLE CODES	SINGLE KEY CABLE CODES
AA = # 22 AWG TPE Shielded (Auto CC)	AB = # 22 AWG TPE Shielded (Euro CC)
AK = # 22 AWG PUR w/braid (Auto CC)	AL = # 22 AWG PUR w/braid (Euro CC)
AQ = # 18 AWG TPE (Auto CC)*	AR = # 18 AWG TPE (Euro CC)
C = # 18 AWG Rubber SJ00W* (Auto CC)	D = # 18 AWG Rubber SJ00W (Euro CC)*
E = # 18 AWG PVC (Auto CC)*	F = # 18 AWG PVC (Euro CC)*
G = # 22 AWG PVC w/braid (Auto CC)	H = # 22 AWG PVC w/braid (Euro CC)
K = # 22 AWG PUR (Auto CC)	J = # 22 AWG PVC w/o braid (Euro CC)
T = # 22 AWG PVC w/o braid (Auto CC)	L = # 22 AWG PUR (Euro CC)
For Receptacles Only N = # 18/1C PVC P = # 22/1C PVC AS = #24/1C PVC	For Receptacles Only N = # 18/1C PVC P = # 22/1C PVC AS = #24/1C PVC
Note: (Auto CC) applies to Dual Key Devices. Other cable codes available - consult factory	Note: (Euro CC) applies to Single Key (M12) Devices. Other cable types available - consult factory
Note: * means 2 through 5 Pole only	

COUPLING OR SHELL OPTIONS	
1 = Stainless Steel (2 through 6P)	N = Non-Metallic (2 through 6P)
9 = Nickel-Plated Brass	Note: Leave Blank for Std. Materials

CORD CONNECTORS

WIRE MESH GRIPS

PICO-LINK

MICRO-LINK

ETHERLINK

MINI-LINK

MULTI-PORT BOXES

BUS SYSTEM PRODUCTS





# SINGLE KEY (M12) PVC MICRO-LINK™ PLUG ASSEMBLIES

## SPECIFICATIONS

### MATERIALS

Body	PVC
O-Ring	Nitrile Rubber
Contact	Brass, Gold Plated over Nickel
Coupling Nut	Machined Aluminum, Black Anodized

Cable	#22 AWG PVC 26 x #36 Stranding, 105°C or #18 AWG PVC 41 x #34 Stranding, 105°C, UL Recognized, CSA Certified
-------	--

Cable Diameters	#22 AWG PVC without braid, 3/C -.18", 4/C -.19", 5/C -.21"
-----------------	--

	#22 AWG PVC with braid, 3/C -.23", 4/C -.25", 5/C -.26" (braid not electrically connected)
--	--

	#18 AWG PVC, 3/C -.29", 4/C -.29", 5/C -.29"
--	--

### ELECTRICAL

Voltage Rating	250 VAC/300 VDC (2-5P)
----------------	------------------------

Current	#24 AWG - 2A, #22 AWG-4A, #18 AWG-5A
---------	--------------------------------------

Contact Resistance	≤5mΩ
--------------------	------

### ENVIRONMENTAL

Protection	IP67
------------	------

Operating Temp	PVC: -20°C to 105°C
----------------	---------------------

### CERTIFICATIONS



Recognized, File No. E165657



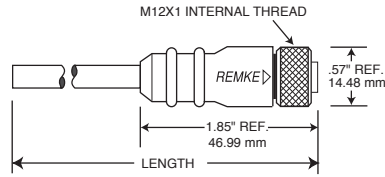
Certified, File No. E165657

### OPTIONS

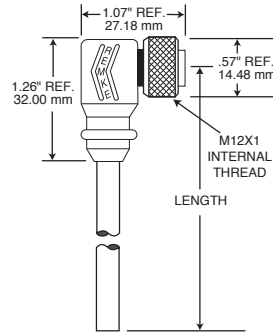
#18 AWG (PVC) Plug Assemblies (2 thru 5 Pole)
---

Stainless Steel Couplers
--------------------------

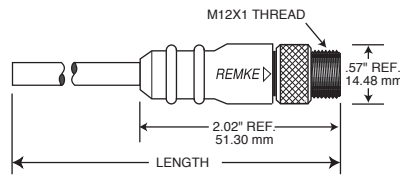
Plastic Couplers
------------------



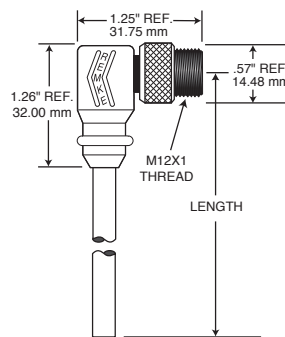
FEMALE STRAIGHT



FEMALE 90°



MALE STRAIGHT



MALE 90°

## FEMALE PLUGS

### RECEPTACLE PART NUMBERS

Number of Poles	Female Contact Rotation	Wiring Color Code
3		1-Brown 2-Not Used 3-Blue 4-Black
4		1-Brown 2-White 3-Blue 4-Black
5		1-Brown 2-White 3-Blue 4-Black 5-Gray

## MALE PLUGS

### PLUG ASSEMBLY PART NUMBERS

Number of Poles	Male Contact Rotation	Wiring Color Code
3		1-Brown 2-Not Used 3-Blue 4-Black
4		1-Brown 2-White 3-Blue 4-Black
5		1-Brown 2-White 3-Blue 4-Black 5-Gray

\*Braid not electrically connected.

	Length	Wire Gauge (AWG)	Straight Plug Non-Braided	Straight Plug Braided*	90° Plug Non-Braided	90 Plug Braided*	Mating Male Receptacle
	2M/6.6 FT.	#22 (PVC)	303A0066J	303A0066H	303C0066J	303C0066H	303P0010P
	4M/13.1 FT.	#22 (PVC)	303A0131J	303A0131H	303C0131J	303C0131H	303P0010P
	5M/16.4 FT.	#22 (PVC)	303A0164J	303A0164H	303C0164J	303C0164H	303P0010P
	2M/6.6 FT.	#22 (PVC)	304A0066J	304A0066H	304C0066J	304C0066H	304P0010P
	4M/13.1 FT.	#22 (PVC)	304A0131J	304A0131H	304C0131J	304C0131H	304P0010P
	5M/16.4 FT.	#22 (PVC)	304A0164J	304A0164H	304C0164J	304C0164H	304P0010P
	2M/6.6 FT.	#22 (PVC)	305A0066J	305A0066H	305C0066J	305C0066H	305P0010P
	4M/13.1 FT.	#22 (PVC)	305A0131J	305A0131H	305C0131J	305C0131H	305P0010P
	5M/16.4 FT.	#22 (PVC)	305A0164J	305A0164H	305C0164J	305C0164H	305P0010P

	Length	Wire Gauge (AWG)	Straight Plug Non-Braided	Straight Plug Braided*	90° Plug Non-Braided	90 Plug Braided*	Mating Female Receptacle
	2M/6.6 FT.	#22 (PVC)	303E0066J	303E0066H	303F0066J	303F0066H	303S0010P
	4M/13.1 FT.	#22 (PVC)	303E0131J	303E0131H	303F0131J	303F0131H	303S0010P
	5M/16.4 FT.	#22 (PVC)	303E0164J	303E0164H	303F0164J	303F0164H	303S0010P
	2M/6.6 FT.	#22 (PVC)	304E0066J	304E0066H	304F0066J	304F0066H	304S0010P
	4M/13.1 FT.	#22 (PVC)	304E0131J	304E0131H	304F0131J	304F0131H	304S0010P
	5M/16.4 FT.	#22 (PVC)	304E0164J	304E0164H	304F0164J	304F0164H	304S0010P
	2M/6.6 FT.	#22 (PVC)	305E0066J	305E0066H	305F0066J	305F0066H	305S0010P
	4M/13.1 FT.	#22 (PVC)	305E0131J	305E0131H	305F0131J	305F0131H	305S0010P
	5M/16.4 FT.	#22 (PVC)	305E0164J	305E0164H	305F0164J	305F0164H	305S0010P





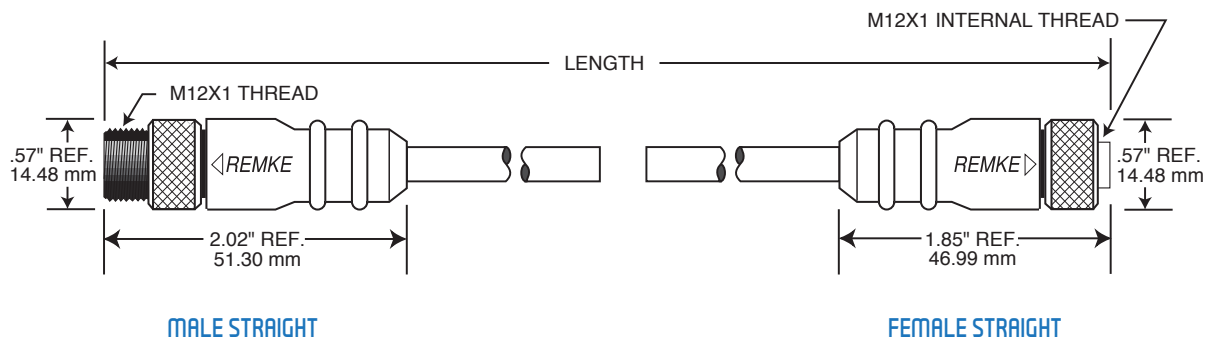
# SINGLE KEY (M12) PVC MICRO-LINK™ CABLE ASSEMBLIES

SPECIFICATIONS			
<b>MATERIALS</b>		<b>ELECTRICAL</b>	
Body	PVC	Voltage Rating	250 VAC/300 VDC (2-5P)
O-Ring	Nitrile Rubber	Current	#24 AWG - 2A, #22 AWG-4A #18 AWG-5A
Contact	Brass, Gold Plated over Nickel	Contact Resistance	≤5mΩ
Coupling Nut	Machined Aluminum, Black Anodized	<b>ENVIRONMENTAL</b>	
Cable		Protection	IP67
	#22 AWG PVC 26 x #36 Stranding, 105°C	Operating Temp	PVC: -20°C to 105°C
	#18 AWG PVC 41 x #34 Stranding, 105°C, UL Recognized, CSA Certified	<b>CERTIFICATIONS</b>	
Cable Diameters		Recognized, File No. E165657	
	#22 AWG PVC without braid, 3/C-.18", 4/C-.19", 5/C-.21"	Certified, File No. E165657	
	#22 AWG PVC with braid, 3/C-.22", 4/C-.25", 5/C-.26" (braid not electrically connected)	<b>OPTIONS</b>	
	#18 AWG PVC, 3/C	#18 AWG (PVC) Cord Sets	
		Plastic Couplers	
		Stainless Steel Couplers	
		90° Style Male or Female bodies	

## MALE/FEMALE PLUGS

CABLE ASSEMBLY PART NUMBERS							
Number of Poles	Male Contact Rotation	Female Contact Rotation	Wiring Color Code	Length	Wire Gauge (AWG)	Male/Female Non-Braided	Male/Female Braided*
3			1-Brown 2-Not Used 3-Blue 4-Black	2M/6.6 FT.	#22 (PVC)	303K0066J	303K0066H
				4M/13.1 FT.	#22 (PVC)	303K0131J	303K0131H
				5M/16.4 FT.	#22 (PVC)	303K0164J	303K0164H
4			1-Brown 2-White 3-Blue 4-Black	2M/6.6 FT.	#22 (PVC)	304K0066J	304K0066H
				4M/13.1 FT.	#22 (PVC)	304K0131J	304K0131H
				5M/16.4 FT.	#22 (PVC)	304K0164J	304K0164H
5			1-Brown 2-White 3-Blue 4-Black 5-Gray	2M/6.6 FT.	#22 (PVC)	305K0066J	305K0066H
				4M/13.1 FT.	#22 (PVC)	305K0131J	305K0131H
				5M/16.4 FT.	#22 (PVC)	305K0164J	305K0164H

\*Braided not electrically connected.





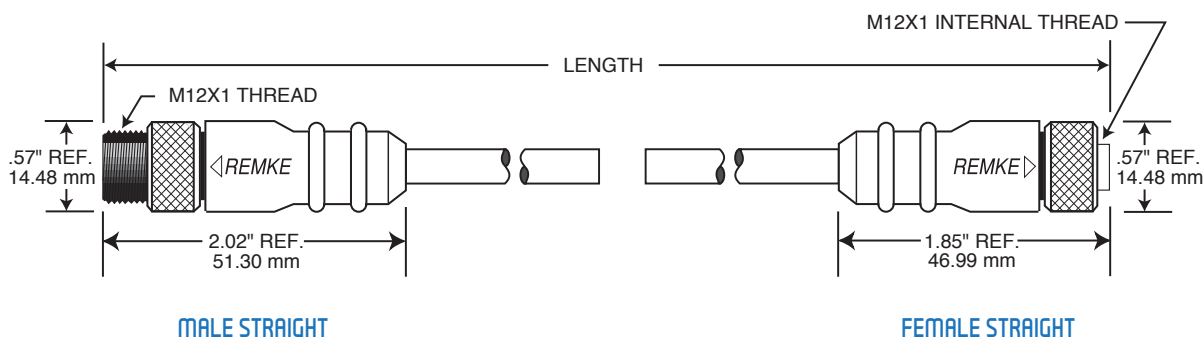
# SINGLE KEY (M12) PUR MICRO-LINK™ CABLE ASSEMBLIES

SPECIFICATIONS			
MATERIALS		ELECTRICAL	
Body	PUR	Voltage Rating	250 VAC/300 VDC
O-Ring	Nitrile Rubber	Current	#22 AWG-4A, #18 AWG-5A
Contact	Brass, Gold Plated over Nickel	Contact Resistance	≤5mΩ
Coupling Nut	Machined Aluminum, Black Anodized	ENVIRONMENTAL	
Cable	#22 AWG PUR 26 x #36 Stranding, 80°C	Protection	IP67
	#18 AWG PUR 41 x #34 Stranding, 80°C, UL Recognized, CSA Certified	Operating Temp	PUR: -20°C to 80°C
Cable Diameters		CERTIFICATIONS	
	#22 AWG PUR without braid, 3/C-.18", 4/C-.19", 5/C-.21"		Recognized, File No. E165657
	#22 AWG PUR with braid, 3/C-.22", 4/C-.25", 5/C-.26" (braid not electrically connected)		Certified, File No. E165657
	#18 AWG PUR, 3/C-.25", 4/C-.25", 5/C-.26"	OPTIONS	
		#18 AWG (PUR) Cord Sets	
		Plastic Couplers	
		Stainless Steel Couplers	
		90° Style Male or Female bodies	

## MALE/FEMALE PLUGS

CABLE ASSEMBLY PART NUMBERS							
Number of Poles	Male Contact Rotation	Female Contact Rotation	Wiring Color Code	Length	Wire Gauge (AWG)	Male/Female Non-Braided	Male/Female Braided*
3			1-Brown 2-Not Used 3-Blue 4-Black	2M/6.6 FT.	# 22 (PUR)	503K0066L	503K0066AL
				4M/13.1 FT.	# 22 (PUR)	503K0131L	503K0131AL
				5M/16.4 FT.	# 22 (PUR)	503K0164L	503K0164AL
4			1-Brown 2-White 3-Blue 4-Black	2M/6.6 FT.	# 22 (PUR)	504K0066L	504K0066AL
				4M/13.1 FT.	# 22 (PUR)	504K0131L	504K0131AL
				5M/16.4 FT.	# 22 (PUR)	504K0164L	504K0164AL
5			1-Brown 2-White 3-Blue 4-Black 5-Gray	2M/6.6 FT.	# 22 (PUR)	505K0066L	505K0066AL
				4M/13.1 FT.	# 22 (PUR)	505K0131L	505K0131AL
				5M/16.4 FT.	# 22 (PUR)	505K0164L	505K0164AL

\*Braid not electrically connected.



CORD CONNECTORS

WIRE MESH GRIPS

PICO-LINK

MICRO-LINK

ETHERLINK

MINI-LINK

MULTI-PORT BOXES

BUS SYSTEM PRODUCTS





# SINGLE KEY (M12) PUR MICRO-LINK™ PLUG ASSEMBLIES

## SPECIFICATIONS

### MATERIALS

Body	PUR
O-Ring	Nitrile Rubber
Contact	Brass, Gold Plated over Nickel
Coupling Nut	Machined Aluminum, Black Anodized
Cable	#22 AWG PUR 26 x #36 Stranding, 80°C #18 AWG PUR 41 x #34 Stranding, 80°C, UL Recognized, CSA Certified
Cable Diameters	#22 AWG PUR without braid, 3/C-.18", 4/C-.19", 5/C-.21" #22 AWG PUR with braid, 3/C-.23", 4/C-.25", 5/C-.26" (braid not electrically connected) #18 AWG PUR, 3/C-.26", 4/C-.26", 5/C-.26"

### ELECTRICAL

Voltage Rating	250 VAC/300 VDC
Current	#22 AWG-4A, #18 AWG-5A
Contact Resistance	≤5mΩ

### ENVIRONMENTAL

Protection	IP67
Operating Temp	PUR:-20°C to 80°C

### CERTIFICATIONS



Recognized,  
File No. E165657



Certified,  
File No. E165657

### OPTIONS

#18 AWG (PUR) Cord Sets
Plastic Couplers
Stainless Steel Couplers

## FEMALE PLUGS

### PLUG ASSEMBLY PART NUMBERS

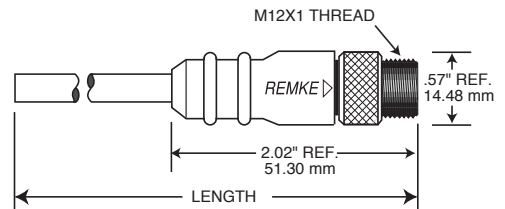
NUMBER OF POLES	Female Contact Rotation	Wiring Color Code
3		1-Brown 2-Not Used 3-Blue 4-Black
4		1-Brown 2-White 3-Blue 4-Black
5		1-Brown 2-White 3-Blue 4-Black 5-Gray

## MALE PLUGS

### PLUG ASSEMBLY PART NUMBERS

Number of Poles	Male Contact Rotation	Wiring Color Code
3		1-Brown 2-Not Used 3-Blue 4-Black
4		1-Brown 2-White 3-Blue 4-Black
5		1-Brown 2-White 3-Blue 4-Black 5-Gray

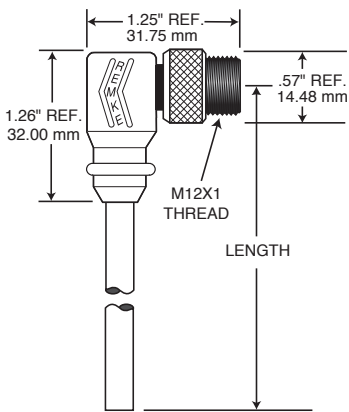
\*Braid not electrically connected.



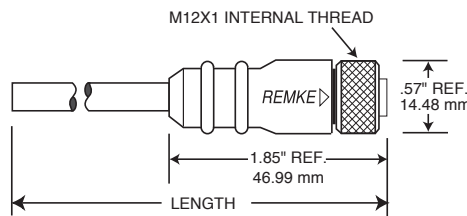
MALE STRAIGHT

Length	Wire Gauge (AWG)	Straight Plug Non-Braided	Straight Plug Braided*	90° Plug Non-Braided	90 Plug Braided*	Mating Male Receptacle
2M/6.6 FT.	#22 (PUR)	503A0066L	503A0066AL	503C0066L	503C0066AL	303P0010P
4M/13.1 FT.	#22 (PUR)	503A0131L	503A0131AL	503C0131L	503C0131AL	303P0010P
5M/16.4 FT.	#22 (PUR)	503A0164L	503A0164AL	503C0164L	503C0164AL	303P0010P
2M/6.6 FT.	#22 (PUR)	504A0066L	504A0066AL	504C0066L	504C0066AL	304P0010P
4M/13.1 FT.	#22 (PUR)	504A0131L	504A0131AL	504C0131L	504C0131AL	304P0010P
5M/16.4 FT.	#22 (PUR)	504A0164L	504A0164AL	504C0164L	504C0164AL	304P0010P
2M/6.6 FT.	#22 (PUR)	505A0066L	505A0066AL	505C0066L	505C0066AL	305P0010P
4M/13.1 FT.	#22 (PUR)	505A0131L	505A0131AL	505C0131L	505C0131AL	305P0010P
5M/16.4 FT.	#22 (PUR)	505A0164L	505A0164AL	505C0164L	505C0164AL	305P0010P

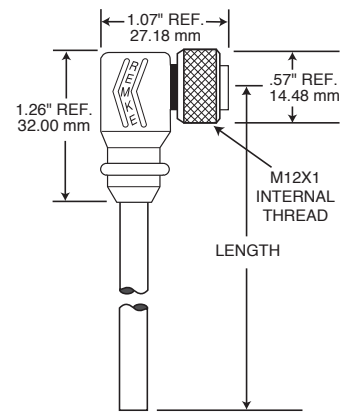
Length	Wire Gauge (AWG)	Straight Plug Non-Braided	Straight Plug Braided*	90° Plug Non-Braided	90 Plug Braided*	Mating Female Receptacle
2M/6.6 FT.	#22 (PUR)	503E0066L	503E0066AL	503F0066L	503F0066AL	303S0010P
4M/13.1 FT.	#22 (PUR)	503E0131L	503E0131AL	503F0131L	503F0131AL	303S0010P
5M/16.4 FT.	#22 (PUR)	503E0164L	503E0164AL	503F0164L	503F0164AL	303S0010P
2M/6.6 FT.	#22 (PUR)	504E0066L	504E0066AL	504F0066L	504F0066AL	304S0010P
4M/13.1 FT.	#22 (PUR)	504E0131L	504E0131AL	504F0131L	504F0131AL	304S0010P
5M/16.4 FT.	#22 (PUR)	504E0164L	504E0164AL	504F0164L	504F0164AL	304S0010P
2M/6.6 FT.	#22 (PUR)	505E0066L	505E0066AL	505F0066L	505F0066AL	305S0010P
4M/13.1 FT.	#22 (PUR)	505E0131L	505E0131AL	505F0131L	505F0131AL	305S0010P
5M/16.4 FT.	#22 (PUR)	505E0164L	505E0164AL	505F0164L	505F0164AL	305S0010P



MALE 90°



FEMALE STRAIGHT



FEMALE 90°





# SINGLE KEY (M12) TPE MICRO-LINK™ PLUG ASSEMBLIES

## SPECIFICATIONS

### MATERIALS

Body	PUR
O-Ring	Nitrile Rubber
Contact	Brass, Gold Plated over Nickel
Coupling Nut	Machined Aluminum, Black Anodized
Cable	#18 AWG TPE 41 x #34 Stranding, 105°C, UL Recognized, CSA Certified
Cable Diameters	#18 AWG TPE, 3/C-.26", 4/C-.26", 5/C-.26"

### ELECTRICAL

Voltage Rating	250 VAC/300 VDC
Current	#18 AWG-5A
Contact Resistance	≤5mΩ

### ENVIRONMENTAL

Protection	IP67
Operating Temp	PUR: -20°C to 80°C

### CERTIFICATIONS

Recognized,  
File No. E165657

Certified,  
File No. E165657

### OPTIONS

Plastic Couplers
Stainless Steel Couplers

## FEMALE PLUGS

### PLUG ASSEMBLY PART NUMBERS

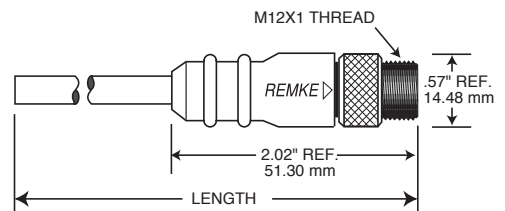
NUMBER OF POLES	Female Contact Rotation	Wiring Color Code
3		1-Brown 2-Not Used 3-Blue 4-Black
4		1-Brown 2-White 3-Blue 4-Black
5		1-Brown 2-White 3-Blue 4-Black 5-Gray

## MALE PLUGS

### PLUG ASSEMBLY PART NUMBERS

Number of Poles	Male Contact Rotation	Wiring Color Code
3		1-Brown 2-Not Used 3-Blue 4-Black
4		1-Brown 2-White 3-Blue 4-Black
5		1-Brown 2-White 3-Blue 4-Black 5-Gray

\*Braid not electrically connected.

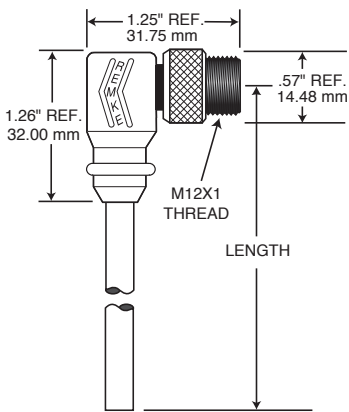


MALE STRAIGHT

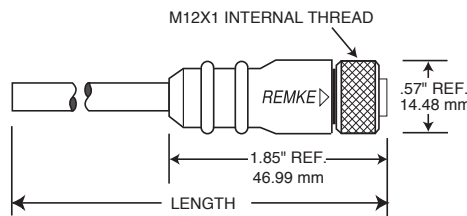


Length	Wire Gauge (AWG)	Straight Plug	90° Plug	Mating Male Receptacle
2M/6.6 FT.	#18 (TPE)	503A0066AR	503C0066AR	303P0010N
4M/13.1 FT.	#18 (TPE)	503A0131AR	503C0131AR	303P0010N
5M/16.4 FT.	#18 (TPE)	503A0164AR	503C0164AR	303P0010N
2M/6.6 FT.	#18 (TPE)	504A0066AR	504C0066AR	304P0010N
4M/13.1 FT.	#18 (TPE)	504A0131AR	504C0131AR	304P0010N
5M/16.4 FT.	#18 (TPE)	504A0164AR	504C0164AR	304P0010N
2M/6.6 FT.	#18 (TPE)	505A0066AR	505C0066AR	305P0010N
4M/13.1 FT.	#18 (TPE)	505A0131AR	505C0131AR	305P0010N
5M/16.4 FT.	#18 (TPE)	505A0164AR	505C0164AR	305P0010N

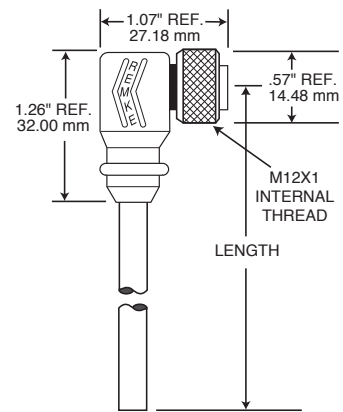
Length	Wire Gauge (AWG)	Straight Plug	90° Plug	Mating Female Receptacle
2M/6.6 FT.	#18 (TPE)	503E0066AR	503F0066AR	303S0010N
4M/13.1 FT.	#18 (TPE)	503E0131AR	503F0131AR	303S0010N
5M/16.4 FT.	#18 (TPE)	503E0164AR	503F0164AR	303S0010N
2M/6.6 FT.	#18 (TPE)	504E0066AR	504F0066AR	304S0010N
4M/13.1 FT.	#18 (TPE)	504E0131AR	504F0131AR	304S0010N
5M/16.4 FT.	#18 (TPE)	504E0164AR	504F0164AR	304S0010N
2M/6.6 FT.	#18 (TPE)	505E0066AR	505F0066AR	305S0010N
4M/13.1 FT.	#18 (TPE)	505E0131AR	505F0131AR	305S0010N
5M/16.4 FT.	#18 (TPE)	505E0164AR	505F0164AR	305S0010N



MALE 90°



FEMALE STRAIGHT



FEMALE 90°





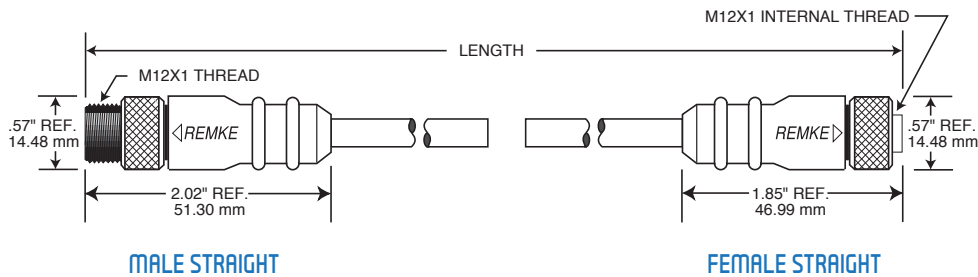
# SINGLE KEY (M12) TPE MICRO-LINK™ CABLE ASSEMBLIES

SPECIFICATIONS			
MATERIALS		ENVIRONMENTAL	
Body	PUR	Protection	IP67
O-Ring	Nitrile Rubber	Operating Temp	PUR: -20°C to 80°C
Contact	Brass, Gold Plated over Nickel	CERTIFICATIONS	
Coupling Nut	Machined Aluminum, Black Anodized		Recognized, File No. E165657
Cable	#18 AWG TPE 41 x #34 Stranding, 105°C, UL Recognized, CSA Certified		Certified, File No. E165657
Cable Diameters	#18 AWG TPE, 3/C-.26", 4/C-.26", 5/C-.26"	OPTIONS	
ELECTRICAL			
Voltage Rating	250 VAC/300 VDC	Plastic Couplers	
Current	#18 AWG-5A	Stainless Steel Couplers	
Contact Resistance	≤5mΩ	90° Style Male or Female bodies	

## MALE/FEMALE PLUGS

PLUG ASSEMBLY PART NUMBERS						
Number of Poles	Male Contact Rotation	Female Contact Rotation	Wiring Color Code	Length	Wire Gauge (AWG)	Male/Female
3			1-Brown 2-Not Used 3-Blue 4-Black	2M/6.6 FT.	#18 (TPE)	503K0066AR
				4M/13.1 FT.	#18 (TPE)	503K0131AR
				5M/16.4 FT.	#18 (TPE)	503K0164AR
4			1-Brown 2-White 3-Blue 4-Black	2M/6.6 FT.	#18 (TPE)	504K0066AR
				4M/13.1 FT.	#18 (TPE)	504K0131AR
				5M/16.4 FT.	#18 (TPE)	504K0164AR
5			1-Brown 2-White 3-Blue 4-Black 5-Gray	2M/6.6 FT.	#18 (TPE)	505K0066AR
				4M/13.1 FT.	#18 (TPE)	505K0131AR
				5M/16.4 FT.	#18 (TPE)	505K0164AR

\*Braid not electrically connected.



CORD CONNECTORS

WIRE MESH GRIPS

PICO-LINK

MICRO-LINK

ETHERLINK

MINI-LINK

MULTI-PORT BOXES

BUS SYSTEM  
PRODUCTS





# SINGLE KEY (M12) RUBBER MICRO-LINK™ PLUG ASSEMBLIES

## SPECIFICATIONS

### MATERIALS

Body	Rubber
O-Ring	Nitrile Rubber
Contact	Brass, Gold Plated over Nickel
Coupling Nut	Machined Aluminum, Black Anodized
Cable	#18 AWG PUR 41 x #34 Stranding, 80°C, UL Recognized, CSA Certified
Cable Diameters	#18 AWG SJOOW, 3/C-.33", 4/C-.36", 5/C-.39"

### ELECTRICAL

Voltage Rating	250 VAC/300 VDC
Current	#18 AWG-5A
Contact Resistance	≤5mΩ

### ENVIRONMENTAL

Protection	IP67
Operating Temp	SJOOW: -50°C to 90°C (UL), -34°C to 90°C(CSA)

### CERTIFICATIONS

 Recognized,  
File No. E165657




 Certified,  
File No. E165657

### OPTIONS

Plastic Couplers
Stainless Steel Couplers




## FEMALE PLUGS

### PLUG ASSEMBLY PART NUMBERS

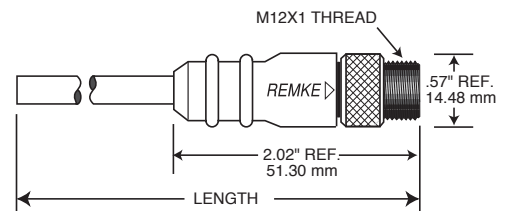
NUMBER OF POLES	Female Contact Rotation	Wiring Color Code
3		1-Brown 2-Not Used 3-Blue 4-Black
4		1-Brown 2-White 3-Blue 4-Black
5		1-Brown 2-White 3-Blue 4-Black 5-Gray

## MALE PLUGS

### PLUG ASSEMBLY PART NUMBERS

Number of Poles	Male Contact Rotation	Wiring Color Code
3		1-Brown 2-Not Used 3-Blue 4-Black
4		1-Brown 2-White 3-Blue 4-Black
5		1-Brown 2-White 3-Blue 4-Black 5-Gray

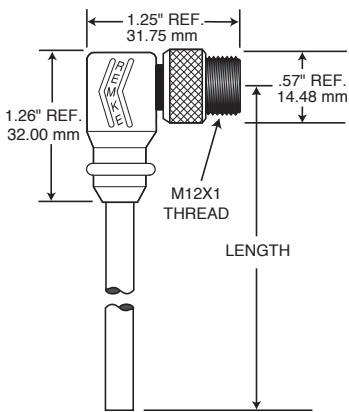
\*Braid not electrically connected.



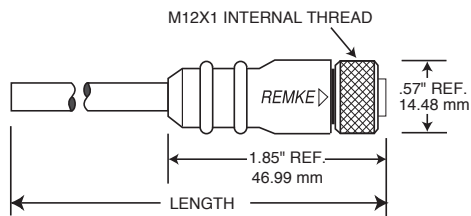
MALE STRAIGHT

Length	Wire Gauge (AWG)	Straight Plug	90° Plug	Mating Male Receptacle
2M/6.6 FT.	#18 (SJ00W)	703A0066D	703C0066D	303P0010N
4M/13.1 FT.	#18 (SJ00W)	703A0131D	703C0131D	303P0010N
5M/16.4 FT.	#18 (SJ00W)	703A0164D	703C0164D	303P0010N
2M/6.6 FT.	#18 (SJ00W)	704A0066D	704C0066D	304P0010N
4M/13.1 FT.	#18 (SJ00W)	704A0131D	704C0131D	304P0010N
5M/16.4 FT.	#18 (SJ00W)	704A0164D	704C0164D	304P0010N
2M/6.6 FT.	#18 (SJ00W)	705A0066D	705C0066D	305P0010N
4M/13.1 FT.	#18 (SJ00W)	705A0131D	705C0131D	305P0010N
5M/16.4 FT.	#18 (SJ00W)	705A0164D	705C0164D	305P0010N

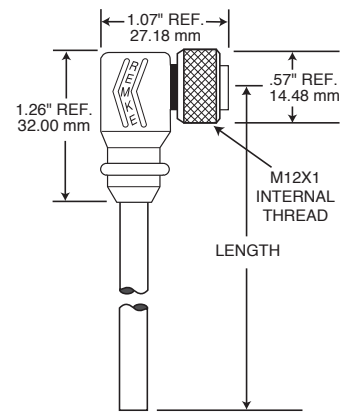
Length	Wire Gauge (AWG)	Straight Plug	90° Plug	Mating Female Receptacle
2M/6.6 FT.	#18 (SJ00W)	703E0066D	703F0066D	303S0010N
4M/13.1 FT.	#18 (SJ00W)	703E0131D	703F0131D	303S0010N
5M/16.4 FT.	#18 (SJ00W)	703E0164D	703F0164D	303S0010N
2M/6.6 FT.	#18 (SJ00W)	704E0066D	704F0066D	304S0010N
4M/13.1 FT.	#18 (SJ00W)	704E0131D	704F0131D	304S0010N
5M/16.4 FT.	#18 (SJ00W)	704E0164D	704F0164D	304S0010N
2M/6.6 FT.	#18 (SJ00W)	705E0066D	705F0066D	305S0010N
4M/13.1 FT.	#18 (SJ00W)	705E0131D	705F0131D	305S0010N
5M/16.4 FT.	#18 (SJ00W)	705E0164D	705F0164D	305S0010N



MALE 90°



FEMALE STRAIGHT



FEMALE 90°





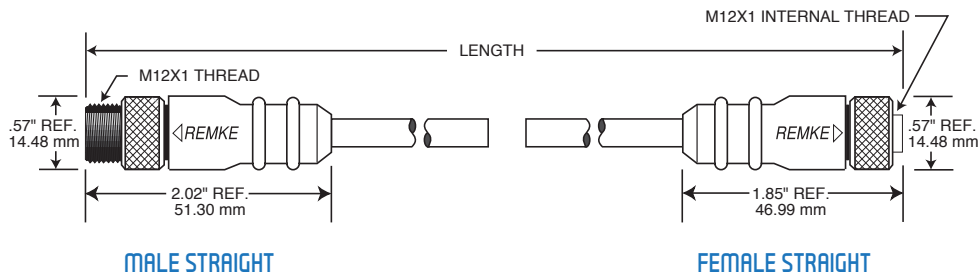
# SINGLE KEY (M12) RUBBER MICRO-LINK™ CABLE ASSEMBLIES

SPECIFICATIONS		ENVIRONMENTAL	
<b>MATERIALS</b>		<b>ENVIRONMENTAL</b>	
Body	Rubber	Protection	IP67
O-Ring	Nitrile Rubber	Operating Temp	SJ00W: -50°C to 90°C (UL), -34°C to 90° (CSA)
Contact	Brass, Gold Plated over Nickel	<b>CERTIFICATIONS</b>	
Coupling Nut	Machined Aluminum, Black Anodized	Recognized, File No. E165657	
Cable	#18 AWG SJ00W NBR/PVC Rubber 41 x #34 Stranding, 90°C, UL Recognized, CSA Certified	Certified, File No. E165657	
Cable Diameters	#18 AWG SJ00W, 3/C-.33", 4/C-.36", 5/C-.39"	<b>OPTIONS</b>	
<b>ELECTRICAL</b>		Plastic Couplers	
Voltage Rating	250 VAC/300 VDC	Stainless Steel Couplers	
Current	#18 AWG-5A	90° Style Male or Female bodies	
Contact Resistance	≤5mΩ		

## MALE/FEMALE PLUGS

PLUG ASSEMBLY PART NUMBERS						
Number of Poles	Male Contact Rotation	Female Contact Rotation	Wiring Color Code	Length	Wire Gauge (AWG)	Male/Female Rubber (Non-Braided)
3			1-Brown 2-Not Used 3-Blue 4-Black	2M/6.6 FT.	#18 (SJ00W)	703K0066D
				4M/13.1 FT.	#18 (SJ00W)	703K0131D
				5M/16.4 FT.	#18 (SJ00W)	703K0164D
4			1-Brown 2-White 3-Blue 4-Black	2M/6.6 FT.	#18 (SJ00W)	704K0066D
				4M/13.1 FT.	#18 (SJ00W)	704K0131D
				5M/16.4 FT.	#18 (SJ00W)	704K0164D
5			1-Brown 2-White 3-Blue 4-Black 5-Gray	2M/6.6 FT.	#18 (SJ00W)	705K0066D
				4M/13.1 FT.	#18 (SJ00W)	705K0131D
				5M/16.4 FT.	#18 (SJ00W)	705K0164D

\*Braid not electrically connected.





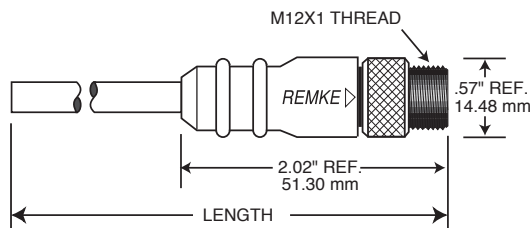
# SINGLE KEY (M12) SHIELDED TO COUPLER MICRO-LINK™ PLUG ASSEMBLIES

SPECIFICATIONS			
MATERIALS		ELECTRICAL	
Body	PUR	Voltage Rating	250 VAC/300 VDC
O-Ring	Nitrile Rubber	Current	#22 AWG-4A
Contact	Brass, Gold Plated over Nickel	Contact Resistance	≤5mΩ
Coupling Nut	Nickel-Plated Brass	ENVIRONMENTAL	
Cable	#22 AWG TPE 26 x #36 Stranding, 105°C	Protection	IP67
Cable Shield	Aluminum Mylar with drain wire	Operating Temp	PUR: -20°C to 80°C
Cable Diameters	#22 AWG TPE, 3/C-.21", 4/C-.23", 5/C-.25"	CERTIFICATIONS	
		Pending	

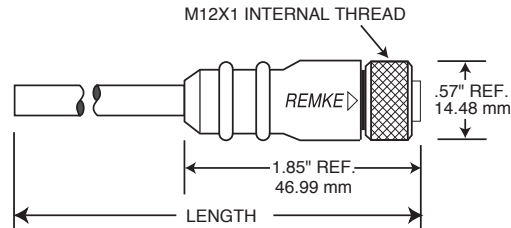
## MALE/FEMALE PLUGS

PLUG ASSEMBLY PART NUMBERS									
Number of Poles	Male Contact Rotation	Female Contact Rotation	Wiring Color Code	Length	Wire Gauge (AWG)	Female Straight Plug	Male Mating Receptacle	Male Straight Plug	Female Mating Receptacle
3			1-Brown 2-Not Used 3-Blue 4-Black	2M/6.6 FT.	# 22 (PUR)	503A0066AB9	303P0010P9	503E0066AB9	303S0010P9
				4M/13.1 FT.	# 22 (PUR)	503A0131AB9	303P0010P9	503E0131AB9	303S0010P9
				5M/16.4 FT.	# 22 (PUR)	503A0164AB9	303P0010P9	503E0164AB9	303S0010P9
4			1-Brown 2-White 3-Blue 4-Black	2M/6.6 FT.	# 22 (PUR)	504A0066AB9	304P0010P9	504E0066AB9	304S0010P9
				4M/13.1 FT.	# 22 (PUR)	504A0131AB9	304P0010P9	504E0131AB9	304S0010P9
				5M/16.4 FT.	# 22 (PUR)	504A0164AB9	304P0010P9	504E0164AB9	304S0010P9
5			1-Brown 2-White 3-Blue 4-Black 5-Gray	2M/6.6 FT.	# 22 (PUR)	505A0066AB9	305P0010P9	505E0066AB9	305S0010P9
				4M/13.1 FT.	# 22 (PUR)	505A0131AB9	305P0010P9	505E0131AB9	305S0010P9
				5M/16.4 FT.	# 22 (PUR)	505A0164AB9	305P0010P9	505E0164AB9	305S0010P9

\*Braid not electrically connected.



MALE STRAIGHT



FEMALE STRAIGHT



CORD CONNECTORS

WIRE MESH GRIPS

PICO-LINK

MICRO-LINK

ETHERLINK

MINI-LINK

MULTI-PORT BOXES

BUS SYSTEM PRODUCTS

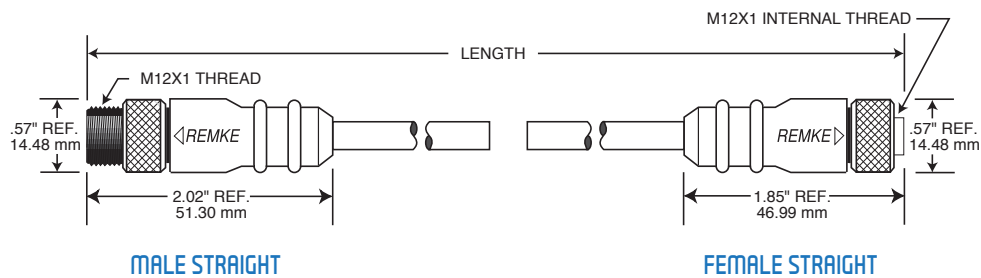


# SINGLE KEY (M12) SHIELDED TO COUPLER MICRO-LINK™ CABLE ASSEMBLIES

SPECIFICATIONS			
<b>MATERIALS</b>		<b>ELECTRICAL</b>	
Body	PUR	Voltage Rating	250 VAC/300 VDC
O-Ring	Nitrile Rubber	Current	#22 AWG-4A
Contact	Brass, Gold Plated over Nickel	Contact Resistance	≤5mΩ
Coupling Nut	Nickel-Plated Brass	<b>ENVIRONMENTAL</b>	
Cable	#22 AWG TPE 26 x #36 Stranding, 105°C	Protection	IP67
Cable Shield	Aluminum Mylar with drain wire	Operating Temp	PUR: -20°C to 80°C
Cable Diameters	#22 AWG TPE, 3/C-.21", 4/C-.23", 5/C-.25"	<b>CERTIFICATIONS</b>	
		Pending	

## MALE/FEMALE PLUGS

PLUG ASSEMBLY PART NUMBERS						
Number of Poles	Male Contact Rotation	Female Contact Rotation	Wiring Color Code	Length	Wire Gauge (AWG)	Male/Female
3			1-Brown 2-Not Used 3-Blue 4-Black	2M/6.6 FT.	# 22 (TPE)	503K0066AB9
				4M/13.1 FT.	# 22 (TPE)	503K0131AB9
				5M/16.4 FT.	# 22 (TPE)	503K0164AB9
4			1-Brown 2-White 3-Blue 4-Black	2M/6.6 FT.	# 22 (TPE)	504K0066AB9
				4M/13.1 FT.	# 22 (TPE)	504K0131AB9
				5M/16.4 FT.	# 22 (TPE)	504K0164AB9
5			1-Brown 2-White 3-Blue 4-Black 5-Gray	2M/6.6 FT.	# 22 (TPE)	505K0066AB9
				4M/13.1 FT.	# 22 (TPE)	505K0131AB9
				5M/16.4 FT.	# 22 (TPE)	505K0164AB9





CORD CONNECTORS

WIRE MESH GRIPS

PICO-LINK

MICRO-LINK

ETHERLINK

MINI-LINK

MULTI-PORT BOXES

BUS SYSTEM  
PRODUCTS





# SINGLE KEY (M12) MICRO-LINK™ RECEPTACLES

## SPECIFICATIONS

### MATERIALS

O-Ring	Nitrile Rubber
Contact	Brass, Gold Plated over Nickel
Shell	Machined Aluminum, Black Anodized
Lock Nut	Plated Steel (not pictured)
Wire	#22 AWG PVC Insulated 26 x #36 Stranding, 80°C

### ELECTRICAL

Voltage Rating	250 VAC/300 VDC
Current	#22 AWG-4A, #18 AWG-5A
Contact Resistance	≤5mΩ

### ENVIRONMENTAL

Protection	IP67
Operating Temp	-20°C to 80°C

### CERTIFICATIONS



Recognized,  
File No. E165657



Certified,  
File No. E165657

### NOTE

For use w/ shielded cordsets, add suffix "9" (ex: 303P0010P9).

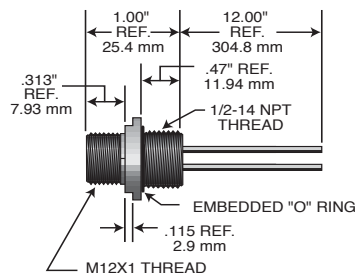
Knock-out dimensions in Tuff-Link Technical Reference Section.

### OPTION

- #18 AWG (PVC) Leads
- Stainless Steel Shells
- Not available on back panel mount styles

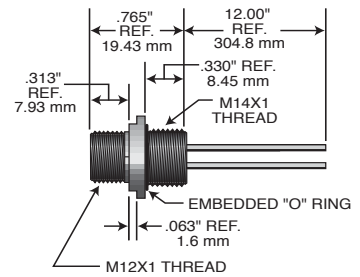
## MALE

### 1/2" NPT (FIG. A)



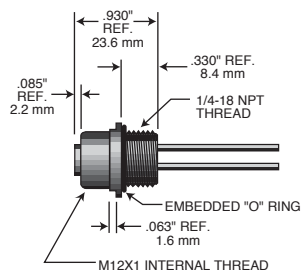
## MALE

### M14 X 1 (FIG. B)



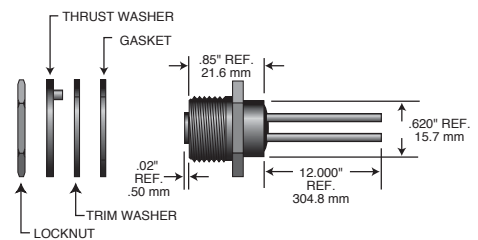
## FEMALE

### 1/4" NPT (FIG. C)






## FEMALE

### BACK PANEL MOUNT (FIG. D)




## MALE

RECEPTACLE PART NUMBERS					
Number of Poles	Male Contact Rotation	Wiring Color Code	Wire Gauge (AWG)	1/2" NPT (Fig. A)	M14 x 1 (Fig. B)
3		1-Brown 2-Not Used 3-Blue 4-Black	#22 (PVC)	303P0010P	303T0010P
4		1-Brown 2-White 3-Blue 4-Black	#22 (PVC)	304P0010P	304T0010P
5		1-Brown 2-White 3-Blue 4-Black 5-Gray	#22 (PVC)	305P0010P	305T0010P

## NOTES:

Add Suffix 'N' for #18 AWG | Add Suffix 'AS' for #24/1C PVC.

## FEMALE

RECEPTACLE PART NUMBERS					
Number of Poles	Female Contact Rotation	Wiring Color Code	Wire Gauge (AWG)	1/4" NPT (Fig. C)	Back Panel Mount (#18 AWG) (Fig. D)
3		1-Brown 2-Not Used 3-Blue 4-Black	#22 (PVC)	303S0010P	303W0010N
4		1-Brown 2-White 3-Blue 4-Black	#22 (PVC)	304S0010P	304W0010N
5		1-Brown 2-White 3-Blue 4-Black 5-Gray	#22 (PVC)	305S0010P	305W0010N

## NOTES:

Add Suffix 'AS' for #24/1C PVC.





# DUAL KEY PVC MICRO-LINK™ PLUG ASSEMBLIES

## SPECIFICATIONS

### MATERIALS

Body	PVC
O-Ring	Nitrile Rubber
Contact	Brass, Gold Plated over Nickel
Coupling Nut	Machined Aluminum, Clear Anodized
Cable	#22 AWG PVC 26 x #36 Stranding, 105°C, or #18 AWG PVC 41 x #34 Stranding, 105°C, UL Recognized, CSA Certified

Cable Diameters	#22 AWG PVC w/o braid, 2/C-.17", 3/C-.18", 4/C-.19", 5/C-.21", 6/C-.22"
-----------------	---

#22 AWG PVC w/braid, 2/C-.23", 3/C-.23", 4/C-.25", 5/C-.26", 6/C-.29" (braid not electrically connected)

#18 AWG PVC, 2/C-.29", 3/C-.29", 4/C-.29", 5/C-.29"

### ELECTRICAL

Voltage Rating	250 VAC/300 VDC
Current	#22 AWG-2 to 5 Pole-4A, 6 Pole-3A, #18 AWG-5A
Contact Resistance	≤5mΩ

### ENVIRONMENTAL

Protection	IP67
Operating Temp	PVC: -20°C to 105°C

### CERTIFICATIONS



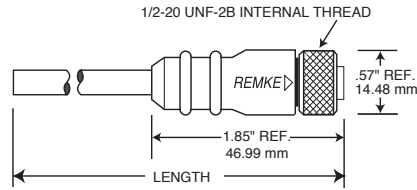
Recognized, File No. E165657



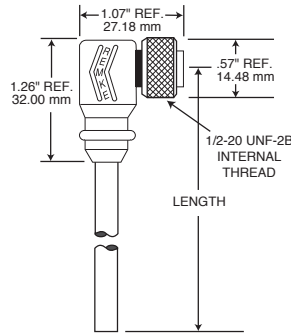
Certified, File No. E165657

### OPTIONS

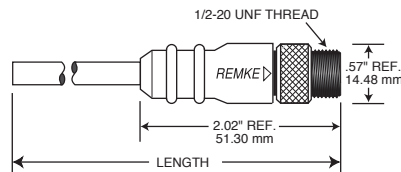
#18 AWG (PVC) Plug Assemblies (2 thru 5 Pole)
Stainless Steel Couplers
Plastic Couplers



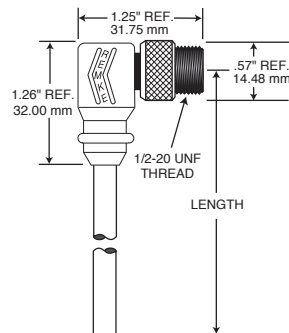
FEMALE STRAIGHT



FEMALE 90°



MALE STRAIGHT



MALE 90°

## FEMALE PLUGS

### PLUG ASSEMBLY PART NUMBERS

Number of Poles	Female Contact Rotation	Wiring Color Code
2		1-Brown 2-Blue
3		1-Green 2-Red/Black 3-Red/White
4		1-Red/Black 2-Red/White 3-Red 4-Green
5		1-Red/White 2-Red 3-Green 4-Red/Yellow 5-Red/Black
6		1-Red/White 2-Red 3-Green 4-Red/Yellow 5-Red/Black 6-Red/Blue

## MALE PLUGS

### PLUG ASSEMBLY PART NUMBERS

Number of Poles	Male Contact Rotation	Wiring Color Code
2		1-Brown 2-Blue
3		1-Green 2-Red/Black 3-Red/White
4		1-Red/Black 2-Red/White 3-Red 4-Green
5		1-Red/White 2-Red 3-Green 4-Red/Yellow 5-Red/Black
6		1-Red/White 2-Red 3-Green 4-Red/Yellow 5-Red/Black 6-Red/Blue

\*Braid not electrically connected.

Length	Wire Gauge (AWG)	Straight Plug Non-Braided	Straight Plug Braided*	90° Plug Non-Braided	90 Plug Braided*	Mating Male Receptacle
6 FT/1.8M	#22 (PVC)	202A0060T	202A0060G	202C0060T	202C0060G	202P0010P
12 FT/3.6M	#22 (PVC)	202A0120T	202A0120G	202C0120T	202C0120G	202P0010P
20 FT/6.1M	#22 (PVC)	202A0200T	202A0200G	202C0200T	202C0200G	202P0010P
6 FT/1.8M	#22 (PVC)	203A0060T	203A0060G	203C0060T	203C0060G	203P0010P
12 FT/3.6M	#22 (PVC)	203A0120T	203A0120G	203C0120T	203C0120G	203P0010P
20 FT/6.1M	#22 (PVC)	203A0200T	203A0200G	203C0200T	203C0200G	203P0010P
6 FT/1.8M	#22 (PVC)	204A0060T	204A0060G	204C0060T	204C0060G	204P0010P
12 FT/3.6M	#22 (PVC)	204A0120T	204A0120G	204C0120T	204C0120G	204P0010P
20 FT/6.1M	#22 (PVC)	204A0200T	204A0200G	204C0200T	204C0200G	204P0010P
6 FT/1.8M	#22 (PVC)	205A0060T	205A0060G	205C0060T	205C0060G	205P0010P
12 FT/3.6M	#22 (PVC)	205A0120T	205A0120G	205C0120T	205C0120G	205P0010P
20 FT/6.1M	#22 (PVC)	205A0200T	205A0200G	205C0200T	205C0200G	205P0010P
6 FT/1.8M	#22 (PVC)	206A0060T	206A0060G	206C0060T	206C0060G	206P0010P
12 FT/3.6M	#22 (PVC)	206A0120T	206A0120G	206C0120T	206C0120G	206P0010P
20 FT/6.1M	#22 (PVC)	206A0200T	206A0200G	206C0200T	206C0200G	206P0010P

Length	Wire Gauge (AWG)	Straight Plug Non-Braided	Straight Plug Braided*	90° Plug Non-Braided	90 Plug Braided*	Mating Female Receptacle
6 FT/1.8M	#22 (PVC)	202E0060T	202E0060G	202F0060T	202F0060G	202S0010P
12 FT/3.6M	#22 (PVC)	202E0120T	202E0120G	202F0120T	202F0120G	202S0010P
20 FT/6.1M	#22 (PVC)	202E0200T	202E0200G	202F0200T	202F0200G	202S0010P
6 FT/1.8M	#22 (PVC)	203E0060T	203E0060G	203F0060T	203F0060G	203S0010P
12 FT/3.6M	#22 (PVC)	203E0120T	203E0120G	203F0120T	203F0120G	203S0010P
20 FT/6.1M	#22 (PVC)	203E0200T	203E0200G	203F0200T	203F0200G	203S0010P
6 FT/1.8M	#22 (PVC)	204E0060T	204E0060G	204F0060T	204F0060G	204S0010P
12 FT/3.6M	#22 (PVC)	204E0120T	204E0120G	204F0120T	204F0120G	204S0010P
20 FT/6.1M	#22 (PVC)	204E0200T	204E0200G	204F0200T	204F0200G	204S0010P
6 FT/1.8M	#22 (PVC)	205E0060T	205E0060G	205F0060T	205F0060G	205S0010P
12 FT/3.6M	#22 (PVC)	205E0120T	205E0120G	205F0120T	205F0120G	205S0010P
20 FT/6.1M	#22 (PVC)	205E0200T	205E0200G	205F0200T	205F0200G	205S0010P
6 FT/1.8M	#22 (PVC)	206E0060T	206E0060G	206F0060T	206F0060G	206S0010P
12 FT/3.6M	#22 (PVC)	206E0120T	206E0120G	206F0120T	206F0120G	206S0010P
20 FT/6.1M	#22 (PVC)	206E0200T	206E0200G	206F0200T	206F0200G	206S0010P





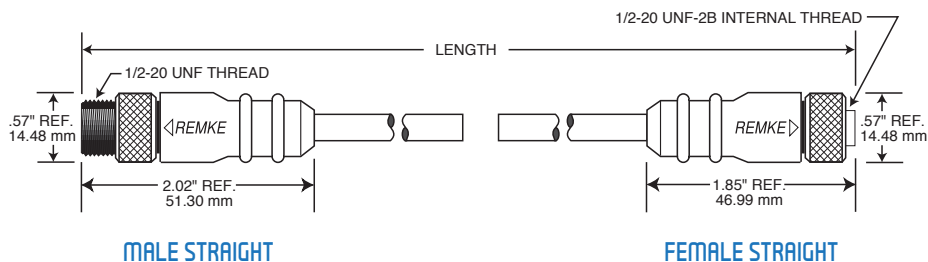
# DUAL KEY PVC MICRO-LINK™ CABLE ASSEMBLIES

SPECIFICATIONS			
<b>MATERIALS</b>		<b>ELECTRICAL</b>	
Body	PVC	Voltage Rating	250 VAC/300 VDC
O-Ring	Nitrile Rubber	Current	#22 AWG-2 to 5 Pole -4A, 6 Pole-3A #18 AWG-5A
Contact	Brass, Gold Plated over Nickel		
Coupling Nut	Machined Aluminum, Clear Anodized	Contact Resistance	≤5mΩ
Cable	#22AWG PVC 26 x #36 Stranding, 105°C, or #18 AWG PVC 41 x #34 Stranding, 105°C, UL Recognized, CSA Certified	<b>ENVIRONMENTAL</b>	
	#22 AWG PVC wo/braid, 2/C-.17", 3/C-.18", 4/C-.19", 5/C-.21", 6/C-.22"	Protection	IP67
Cable Diameters	#22 AWG PVC w/braid, 2/C-.23", 3/C-.23", 4/C-.25", 5/C-.26", 6/C-.29"(braid not electronically connected)	Operating Temp	PVC: -20°C to 105°C
	#18 AWG PVC 2/C-.29", 3/C-.29", 4/C-.29", 5/C-.29"	<b>CERTIFICATIONS</b>	
		Recognized, File No. E165657	
		Certified, File No. E165657	
		<b>OPTIONS</b>	
		#18 AWG (PVC) Cord Sets (2-5 pole)	
		Stainless Steel Couplers	
		Plastic Couplers	
		90 Degree Style Male or Female Bodies	

## MALE/FEMALE PLUGS

PLUG ASSEMBLY PART NUMBERS							
Number of Poles	Male Contact Rotation	Female Contact Rotation	Wiring Color Code	Length	Wire Gauge (AWG)	Male/Female Non-Braided	Male/Female Braided*
2			1-Brown 2-Blue	6 FT/1.8M	#22 (PVC)	202K0060T	202K0060G
				12 FT/3.6M	#22 (PVC)	202K0120T	202K0120G
				20 FT/6.1M	#22 (PVC)	202K0200T	202K0200G
3			1-Green 2-Red/Black 3-Red/White	6 FT/1.8M	#22 (PVC)	203K0060T	203K0060G
				12 FT/3.6M	#22 (PVC)	203K0120T	203K0120G
				20 FT/6.1M	#22 (PVC)	203K0200T	203K0200G
4			1-Red/Black 2-Red/White 3-Red 4-Green	6 FT/1.8M	#22 (PVC)	204K0060T	204K0060G
				12 FT/3.6M	#22 (PVC)	204K0120T	204K0120G
				20 FT/6.1M	#22 (PVC)	204K0200T	204K0200G
5			1-Red/White 2-Red 3-Green 4-Red/Yellow 5-Red/Black	6 FT/1.8M	#22 (PVC)	205K0060T	205K0060G
				12 FT/3.6M	#22 (PVC)	205K0120T	205K0120G
				20 FT/6.1M	#22 (PVC)	205K0200T	205K0200G
6			1-Red/White 2-Red 3-Green 4-Red/Yellow 5-Red/Black 6-Red/Blue	6 FT/1.8M	#22 (PVC)	206K0060T	206K0060G
				12 FT/3.6M	#22 (PVC)	206K0120T	206K0120G
				20 FT/6.1M	#22 (PVC)	206K0200T	206K0200G

\*Braid not electrically connected.





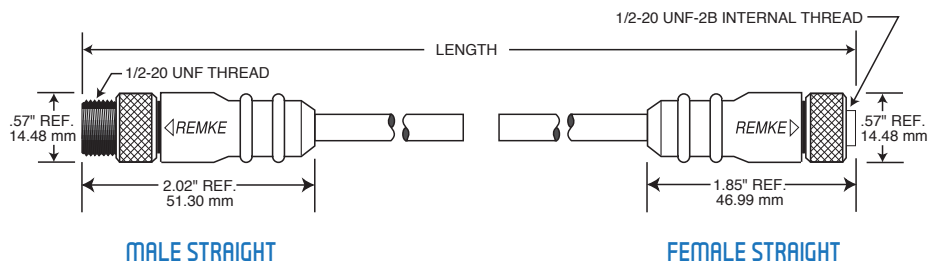
# DUAL KEY PUR MICRO-LINK™ CABLE ASSEMBLIES

SPECIFICATIONS			
<b>MATERIALS</b>		<b>ELECTRICAL</b>	
<b>Body</b>	PUR	<b>Voltage Rating</b>	250 VAC/300 VDC
<b>O-Ring</b>	Nitrile Rubber	<b>Current</b>	#22 AWG-2 to 5 Pole -4A, 6 Pole-3A, #18 AWG-5A
<b>Contact</b>	Brass, Gold Plated over Nickel	<b>Contact Resistance</b>	≤5mΩ
<b>Coupling Nut</b>	Machined Aluminum, Clear Anodized	<b>ENVIRONMENTAL</b>	
<b>Cable</b>	#22AWG PUR 26 x #36 Stranding, 80°C, or #18 AWG PUR 41 x #34 Stranding, 80°C, UL Recognized, CSA Certified	<b>Protection</b>	IP67
<b>Cable Diameters</b>	#22 AWG PUR wo/braid, 2/C-.17", 3/C-.18", 4/C-.19", 5/C-.21", 6/C-.22"	<b>Operating Temp</b>	PUR: -20°C to 80°C
	#22 AWG PUR w/braid, 2/C-.23", 3/C-.23", 4/C-.25", 5/C-.26", 6/C-.29" (braid not connected electrically)	<b>CERTIFICATIONS</b>	
	#18 AWG PUR 2/C-.26", 4/C-.26", 5/C-.26"	Recognized, File No. E165657	
		Certified, File No. E165657	
<b>OPTIONS</b>			
#18 AWG (PVC) Cord Sets (2-5 pole)			
Stainless Steel Couplers			
90 Degree Style Male or Female Bodies			
Plastic Couplers			

## MALE/FEMALE PLUGS

PLUG ASSEMBLY PART NUMBERS							
Number of Poles	Male Contact Rotation	Female Contact Rotation	Wiring Color Code	Length	Wire Gauge (AWG)	Male/Female Non-Braided	Male/Female Braided*
2			1-Brown 2-Blue	6 FT/1.8M	#22 (PUR)	402K0060K	402K0060AK
				12 FT/3.6M	#22 (PUR)	402K0120K	402K0120AK
				20 FT/6.1M.	#22 (PUR)	402K0200K	402K0200AK
3			1-Green 2-Red/Black 3-Red/White	6FT/1.8M	#22 (PUR)	403K0060K	403K0060AK
				12 FT/3.6M	#22 (PUR)	403K0120K	403K0120AK
				20 FT/6.1M.	#22 (PUR)	403K0200K	403K0200AK
4			1-Red/Black 2-Red/White 3-Red 4-Green	6 FT/1.8M	#22 (PUR)	404K0060K	404K0060AK
				12 FT/3.6M	#22 (PUR)	404K0120K	404K0120AK
				20 FT/6.1M.	#22 (PUR)	404K0200K	404K0200AK
5			1-Red/White 2-Red 3-Green 4-Red/Yellow 5-Red/Black	6 FT/1.8M	#22 (PUR)	405K0060K	405K0060AK
				12 FT/3.6M	#22 (PUR)	405K0120K	405K0120AK
				20 FT/6.1M.	#22 (PUR)	405K0200K	405K0200AK
6			1-Red/White 2-Red 3-Green 4-Red/Yellow 5-Red/Black 6-Red/Blue	6 FT/1.8M	#22 (PUR)	406K0060K	406K0060AK
				12 FT/3.6M	#22 (PUR)	406K0120K	406K0120AK
				20 FT/6.1M.	#22 (PUR)	406K0200K	406K0200AK

\*Braid not electrically connected.





# DUAL KEY PUR MICRO-LINK™ PLUG ASSEMBLIES

## SPECIFICATIONS

### MATERIALS

Body	PUR
O-Ring	Nitrile Rubber
Contact	Brass, Gold Plated over Nickel
Coupling Nut	Machined Aluminum, Clear Anodized
Cable	#22 AWG PUR 26 x #36 Stranding, 80°C, or 18 AWG PUR 41 x #34 Stranding, 80°C, UL Recognized, CSA Certified

Cable Diameters	#22 AWG PUR w/o/braid, 2/C-.17", 3/C-.18", 4/C-.19", 5/C-.21", 6/C-.22"
	#22 AWG PUR w/braid, 2/C-.23", 3/C-.23", 4/C-.25", 5/C-.26", 6/C-.29" (braid not electrically connected)
	#18 AWG PUR, 2/C-.26", 3/C-.26", 4/C-.26", 5/C-.26"

### ELECTRICAL

Voltage Rating	250 VAC/300 VDC
Current	#22 AWG-2 to 5 Pole-4A, 6 Pole-3A, #18 AWG-5A
Contact Resistance	≤5mΩ

### ENVIRONMENTAL

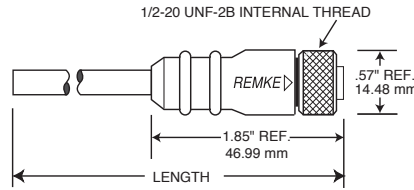
Protection	IP67
Operating Temp	PUR: -20°C to 80°C

### CERTIFICATIONS

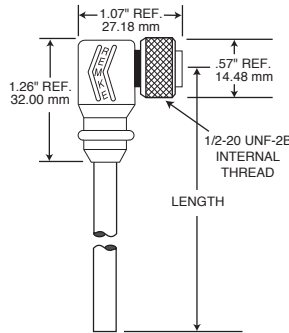
	Recognized, File No. E165657
	Certified, File No. E165657

### OPTIONS

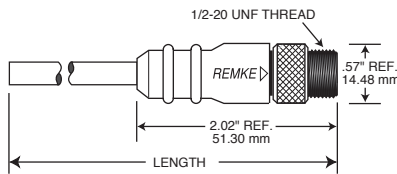
#18 AWG (PUR) Plug Assemblies (2 thru 5 Pole)
Stainless Steel Couplers
Plastic Couplers



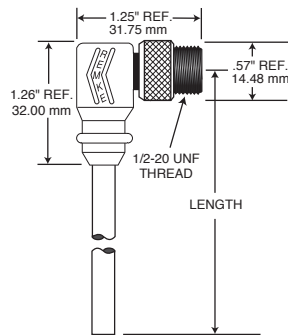
FEMALE STRAIGHT



FEMALE 90°



MALE STRAIGHT



MALE 90°

## FEMALE PLUGS

### PLUG ASSEMBLY PART NUMBERS

Number of Poles	Female Contact Rotation	Wiring Color Code
2		1-Brown 2-Blue
3		1-Green 2-Red/Black 3-Red/White
4		1-Red/Black 2-Red/White 3-Red 4-Green
5		1-Red/White 2-Red 3-Green 4-Red/Yellow 5-Red/Black
6		1-Red/White 2-Red 3-Green 4-Red/Yellow 5-Red/Black 6-Red/Blue

## MALE PLUGS

### PLUG ASSEMBLY PART NUMBERS

Number of Poles	Male Contact Rotation	Wiring Color Code
2		1-Brown 2-Blue
3		1-Green 2-Red/Black 3-Red/White
4		1-Red/Black 2-Red/White 3-Red 4-Green
5		1-Red/White 2-Red 3-Green 4-Red/Yellow 5-Red/Black
6		1-Red/White 2-Red 3-Green 4-Red/Yellow 5-Red/Black 6-Red/Blue

\*Braid not electrically connected.



Length	Wire Gauge (AWG)	Straight Plug Non-Braided	Straight Plug Braided*	90° Plug Non-Braided	90 Plug Braided*	Mating Male Receptacle
6 FT/1.8M	#22 (PUR)	402A0060K	402A0060AK	402C0060K	402C0060AK	202P0010P
12 FT/3.6M	#22 (PUR)	402A0120K	402A0120AK	402C0120K	402C0120AK	202P0010P
20 FT/6.1M	#22 (PUR)	402A0200K	402A0200AK	402C0200K	402C0200AK	202P0010P
6 FT/1.8M	#22 (PUR)	403A0060K	403A0060AK	403C0060K	403C0060AK	203P0010P
12 FT/3.6M	#22 (PUR)	403A0120K	403A0120AK	403C0120K	403C0120AK	203P0010P
20 FT/6.1M	#22 (PUR)	403A0200K	403A0200AK	403C0200K	403C0200AK	203P0010P
6 FT/1.8M	#22 (PUR)	404A0060K	404A0060AK	404C0060K	404C0060AK	204P0010P
12 FT/3.6M	#22 (PUR)	404A0120K	404A0120AK	404C0120K	404C0120AK	204P0010P
20 FT/6.1M	#22 (PUR)	404A0200K	404A0200AK	404C0200K	404C0200AK	204P0010P
6 FT/1.8M	#22 (PUR)	405A0060K	405A0060AK	405C0060K	405C0060AK	205P0010P
12 FT/3.6M	#22 (PUR)	405A0120K	405A0120AK	405C0120K	405C0120AK	205P0010P
20 FT/6.1M	#22 (PUR)	405A0200K	405A0200AK	405C0200K	405C0200AK	205P0010P
6 FT/1.8M	#22 (PUR)	406A0060K	406A0060AK	406C0060K	406C0060AK	206P0010P
12 FT/3.6M	#22 (PUR)	406A0120K	406A0120AK	406C0120K	406C0120AK	206P0010P
20 FT/6.1M	#22 (PUR)	406A0200K	406A0200AK	406C0200K	406C0200AK	206P0010P

Length	Wire Gauge (AWG)	Straight Plug Non-Braided	Straight Plug Braided*	90° Plug Non-Braided	90 Plug Braided*	Mating Female Receptacle
6 FT/1.8M	#22 (PUR)	402E0060K	402E0060AK	402F0060K	402F0060AK	202S0010P
12 FT/3.6M	#22 (PUR)	402E0120K	402E0120AK	402F0120K	402F0120AK	202S0010P
20 FT/6.1M	#22 (PUR)	402E0200K	402E0200AK	402F0200K	402F0200AK	202S0010P
6 FT/1.8M	#22 (PUR)	403E0060K	403E0060AK	403F0060K	403F0060AK	203S0010P
12 FT/3.6M	#22 (PUR)	403E0120K	403E0120AK	403F0120K	403F0120AK	203S0010P
20 FT/6.1M	#22 (PUR)	403E0200K	403E0200AK	403F0200K	403F0200AK	203S0010P
6 FT/1.8M	#22 (PUR)	404E0060K	404E0060AK	404F0060K	404F0060AK	204S0010P
12 FT/3.6M	#22 (PUR)	404E0120K	404E0120AK	404F0120K	404F0120AK	204S0010P
20 FT/6.1M	#22 (PUR)	404E0200K	404E0200AK	404F0200K	404F0200AK	204S0010P
6 FT/1.8M	#22 (PUR)	405E0060K	405E0060AK	405F0060K	405F0060AK	205S0010P
12 FT/3.6M	#22 (PUR)	405E0120K	405E0120AK	405F0120K	405F0120AK	205S0010P
20 FT/6.1M	#22 (PUR)	405E0200K	405E0200AK	405F0200K	405F0200AK	205S0010P
6 FT/1.8M	#22 (PUR)	406E0060K	406E0060AK	406F0060K	406F0060AK	206S0010P
12 FT/3.6M	#22 (PUR)	406E0120K	406E0120AK	406F0120K	406F0120AK	206S0010P
20 FT/6.1M	#22 (PUR)	406E0200K	406E0200AK	406F0200K	406F0200AK	206S0010P





# DUAL KEY TPE MICRO-LINK™ PLUG ASSEMBLIES

## SPECIFICATIONS

### MATERIALS

Body	PUR
O-Ring	Nitrile Rubber
Contact	Gold Plated over Nickel
Coupling Nut	Machined Aluminum, Clear Anodized
Cable	#18 AWG TPE 41 x #34 Stranding, 105°C, UL Recognized, CSA Certified
Cable Diameters	#18 AWG TPE, 2/C-.26", 3/C-.26", 4/C-.26", 5/C-.26"

### ELECTRICAL

Voltage Rating	250 VAC/300 VDC
Current	#18 AWG-5A
Contact Resistance	≤5mΩ

### ENVIRONMENTAL

Protection	IP67
Operating Temp	TPE: -20°C to 80°C

### CERTIFICATIONS



Recognized, File No. E165657

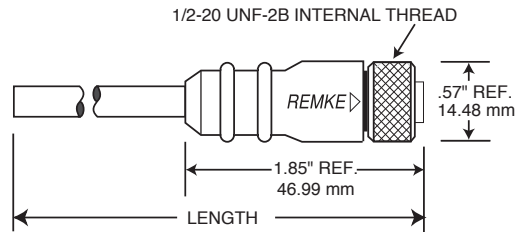


Certified, File No. E165657

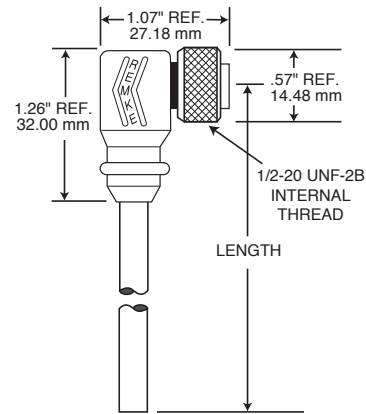
### OPTIONS

Stainless Steel Couplers

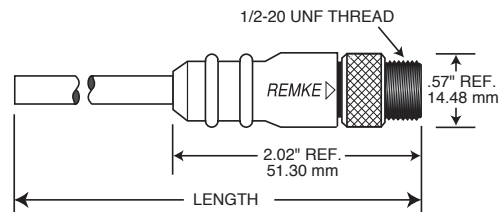
Plastic Couplers



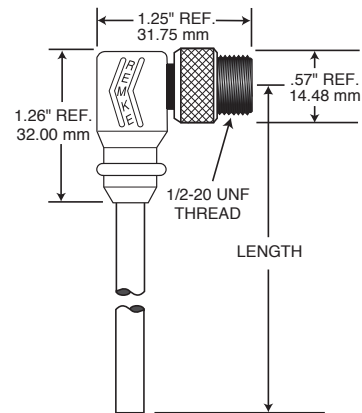
FEMALE STRAIGHT



FEMALE 90°







MALE STRAIGHT

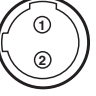


MALE 90°

## FEMALE PLUGS

PLUG ASSEMBLY PART NUMBERS							
Number of Poles	Female Contact Rotation	Wiring Color Code	Length	Wire Gauge (AWG)	Straight Plug	90° Plug	Mating Male Receptacle
2		1-Brown 2-Blue	6 FT/1.8M	#18 (TPE)	402A0060AQ	402C0060AQ	202P0010N
			12 FT/3.6M	#18 (TPE)	402A0120AQ	402C0120AQ	202P0010N
			20 FT/6.1M	#18 (TPE)	402A0200AQ	402C0200AQ	202P0010N
3		1-Green 2-Red/Black 3-Red/White	6 FT/1.8M	#18 (TPE)	403A0060AQ	403C0060AQ	203P0010N
			12 FT/3.6M	#18 (TPE)	403A0120AQ	403C0120AQ	203P0010N
			20 FT/6.1M	#18 (TPE)	403A0200AQ	403C0200AQ	203P0010N
4		1-Red/Black 2-Red/White 3-Red 4-Green	6 FT/1.8M	#18 (TPE)	404A0060AQ	404C0060AQ	204P0010N
			12 FT/3.6M	#18 (TPE)	404A0120AQ	404C0120AQ	204P0010N
			20 FT/6.1M	#18 (TPE)	404A0200AQ	404C0200AQ	204P0010N
5		1-Red/White 2-Red 3-Green 4-Red/Yellow 5-Red/Black	6 FT/1.8M	#18 (TPE)	405A0060AQ	405C0060AQ	205P0010N
			12 FT/3.6M	#18 (TPE)	405A0120AQ	405C0120AQ	205P0010N
			20 FT/6.1M	#18 (TPE)	405A0200AQ	405C0200AQ	205P0010N

## MALE PLUGS

PLUG ASSEMBLY PART NUMBERS							
Number of Poles	Male Contact Rotation	Wiring Color Code	Length	Wire Gauge (AWG)	Straight Plug	90° Plug	Mating Female Receptacle
2		1-Brown 2-Blue	6 FT/1.8M	#18 (TPE)	402E0060AQ	402F0060AQ	202S0010N
			12 FT/3.6M	#18 (TPE)	402E0120AQ	402F0120AQ	202S0010N
			20 FT/6.1M	#18 (TPE)	402E0200AQ	402F0200AQ	202S0010N
3		1-Green 2-Red/Black 3-Red/White	6 FT/1.8M	#18 (TPE)	403E0060AQ	403F0060AQ	203S0010N
			12 FT/3.6M	#18 (TPE)	403E0120AQ	403F0120AQ	203S0010N
			20 FT/6.1M	#18 (TPE)	403E0200AQ	403F0200AQ	203S0010N
4		1-Red/Black 2-Red/White 3-Red 4-Green	6 FT/1.8M	#18 (TPE)	404E0060AQ	404F0060AQ	204S0010N
			12 FT/3.6M	#18 (TPE)	404E0120AQ	404F0120AQ	204S0010N
			20 FT/6.1M	#18 (TPE)	404E0200AQ	404F0200AQ	204S0010N
5		1-Red/White 2-Red 3-Green 4-Red/Yellow 5-Red/Black	6 FT/1.8M	#18 (TPE)	405E0060AQ	405F0060AQ	205S0010N
			12 FT/3.6M	#18 (TPE)	405E0120AQ	405F0120AQ	205S0010N
			20 FT/6.1M	#18 (TPE)	405E0200AQ	405F0200AQ	205S0010N

CORD CONNECTORS

WIRE MESH GRIPS

PICO-LINK

MICRO-LINK

ETHERLINK

MINI-LINK

MULTI-PORT BOXES

BUS SYSTEM PRODUCTS



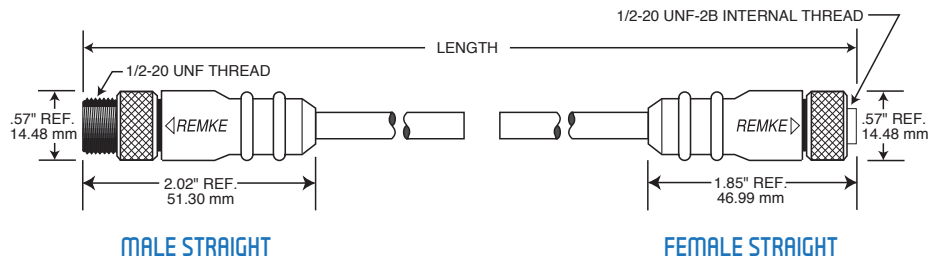


# DUAL KEY TPE MICRO-LINK™ CABLE ASSEMBLIES

SPECIFICATIONS			
MATERIALS		ENVIRONMENTAL	
Body	PUR	Protection	IP67
O-Ring	Nitrile Rubber	Operating Temp	-20°C to 80°C
Contact	Brass, Gold Plated over Nickel	<b>CERTIFICATIONS</b>	
Coupling Nut	Machined Aluminum, Clear Anodized		Recognized, File No. E165657
Cable	#18 AWG TPE 41 x #34 Stranding, 105°C, UL Recognized, CSA Certified		Certified, File No. E165657
Cable Diameters	#18 AWG TPE 2/C-.26", 3/C-.26", 4/C-.26", 5/C-.26"	<b>OPTIONS</b>	
<b>ELECTRICAL</b>		Stainless Steel Couplers	
Voltage Rating	250 VAC/300 VDC	Plastic Couplers	
Current	#18 AWG-5A	90 Degree Style Male or Female Bodies	
Contact Resistance	≤5mΩ		

## MALE/FEMALE PLUGS

PLUG ASSEMBLY PART NUMBERS						
Number of Poles	Male Contact Rotation	Female Contact Rotation	Wiring Color Code	Length	Wire Gauge (AWG)	Male/Female Assembly
2			1-Brown 2-Blue	6 FT/1.8M	#18 (TPE)	402K0060AQ
				12 FT/3.6M	#18 (TPE)	402K0120AQ
				20 FT/6.1M	#18 (TPE)	402K0200AQ
3			1-Green 2-Red/Black 3-Red/White	6 FT/1.8M	#18 (TPE)	403K0060AQ
				12 FT/3.6M	#18 (TPE)	403K0120AQ
				20 FT/6.1M	#18 (TPE)	403K0200AQ
4			1-Red/Black 2-Red/White 3-Red 4-Green	6 FT/1.8M	#18 (TPE)	404K0060AQ
				12 FT/3.6M	#18 (TPE)	404K0120AQ
				20 FT/6.1M	#18 (TPE)	404K0200AQ
5			1-Red/White 2-Red 3-Green 4-Red/Yellow 5-Red/Black	6 FT/1.8M	#18 (TPE)	405K0060AQ
				12 FT/3.6M	#18 (TPE)	405K0120AQ
				20 FT/6.1M	#18 (TPE)	405K0200AQ





# DUAL KEY SHIELDED TO COUPLER MICRO-LINK™ PLUG ASSEMBLIES

SPECIFICATIONS			
MATERIALS		ELECTRICAL	
Body	PUR	Voltage Rating	250 VAC/300 VDC
O-Ring	Nitrile Rubber	Current	#18 AWG-5A
Contact	Nickel-Plated Brass	Contact Resistance	≤5mΩ
Coupling Nut	Machined Aluminum, Black Anodized	ENVIRONMENTAL	
Cable	#22 AWG TPE 26 x #36 Stranding, 105°C	Protection	IP67
Cable Shield	Aluminum Mylar with drain wire	Operating Temp	TPE: -40°C to 105°C
Cable Diameters	#18 AWG TPE 3/C-.21", 4/C-.23", 5/C-.25"	CERTIFICATIONS	
		Pending	

CORD CONNECTORS

WIRE MESH GRIPS

PICO-LINK

MICRO-LINK

ETHERLINK

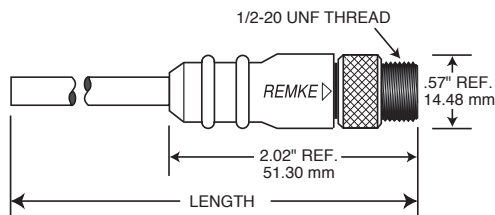
MINI-LINK

MULTI-PORT BOXES

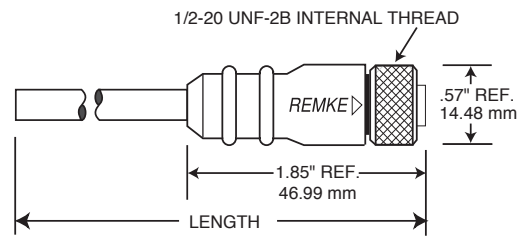
BUS SYSTEM PRODUCTS

## MALE/FEMALE PLUGS

PLUG ASSEMBLY PART NUMBERS								
Number of Poles	Female Face View	Wiring Color Code	Length	Wire Gauge (AWG)	Female Straight Plug	Male Mating Receptacle	Male Straight Plug	Female Mating Receptacle
3		1-Green 2-Red/Black 3-Red/White	2M/6.6 FT.	#22 (TPE)	403A0066AA9	203P0010P9	403E0066AA9	203S0010P9
			4M/13.1 FT.	#22 (TPE)	403A0131AA9	203P0010P9	403E0131AA9	203S0010P9
			5M/16.4 FT.	#22 (TPE)	403A0164AA9	203P0010P9	403E0164AA9	203S0010P9
4		1-Red/Black 2-Red/White 3-Red 4-Green	2M/6.6 FT.	#22 (TPE)	404A0066AA9	204P0010P9	404E0066AA9	204S0010P9
			4M/13.1 FT.	#22 (TPE)	404A0131AA9	204P0010P9	404E0131AA9	204S0010P9
			5M/16.4 FT.	#22 (TPE)	404A0164AA9	204P0010P9	404E0164AA9	204S0010P9
5		1-Red/White 2-Red 3-Green 4-Red/Yellow 5-Red/Black	2M/6.6 FT.	#22 (TPE)	405A0066AA9	205P0010P9	405E0066AA9	205S0010P9
			4M/13.1 FT.	#22 (TPE)	405A0131AA9	205P0010P9	405E0131AA9	205S0010P9
			5M/16.4 FT.	#22 (TPE)	405A0164AA9	205P0010P9	405E0164AA9	205S0010P9



MALE STRAIGHT



FEMALE STRAIGHT



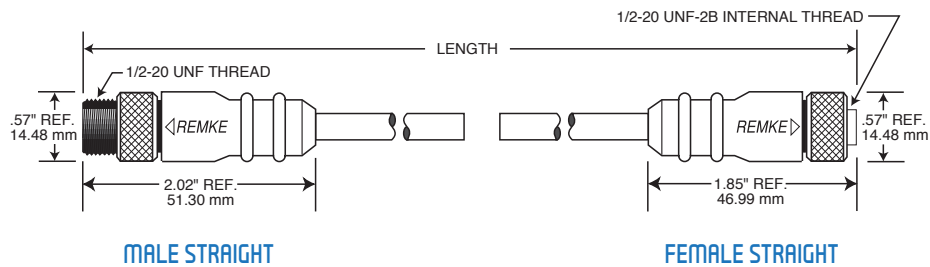


# DUAL KEY SHIELDED TO COUPLER MICRO-LINK™ CABLE ASSEMBLIES

SPECIFICATIONS			
MATERIALS		ELECTRICAL	
Body	PUR	Voltage Rating	250 VAC/300 VDC
O-Ring	Nitrile Rubber	Current	#22 AWG-4A
Contact	Brass, Gold Plated over Nickel	Contact Resistance	≤5mΩ
Coupling Nut	Nickel-Plated Brass	ENVIRONMENTAL	
Cable	#22 AWG TPE 26 x #36 Stranding, 105°C	Protection	IP67
Cable Shield	Aluminum Mylar with drain wire	Operating Temp	TPE: -40°C to 105°C
Cable Diameters	#18 AWG TPE 3/C-.21", 4/C-.23", 5/C-.25	CERTIFICATIONS	
		Pending	

## MALE/FEMALE PLUGS

CABLE ASSEMBLY PART NUMBERS						
Number of Poles	Male Contact Position	Female Contact Position	Wiring Color Code	Length	Wire Gauge (AWG)	Male/Female
3			1-Green 2-Red/Black 3-Red/White	6 FT/1.8M	#22 (TPE)	403K0060AA9
				12 FT/3.6M	#22 (TPE)	403K0120AA9
				20 FT/6.1M	#22 (TPE)	403K0200AA9
4			1-Red/Black 2-Red/White 3-Red 4-Green	6 FT/1.8M	#22 (TPE)	404K0060AA9
				12 FT/3.6M	#22 (TPE)	404K0120AA9
				20 FT/6.1M	#22 (TPE)	404K0200AA9
5			1-Red/White 2-Red 3-Green 4-Red/Yellow 5-Red/Black	6 FT/1.8M	#22 (TPE)	405K0060AA9
				12 FT/3.6M	#22 (TPE)	405K0120AA9
				20 FT/6.1M	#22 (TPE)	405K0200AA9



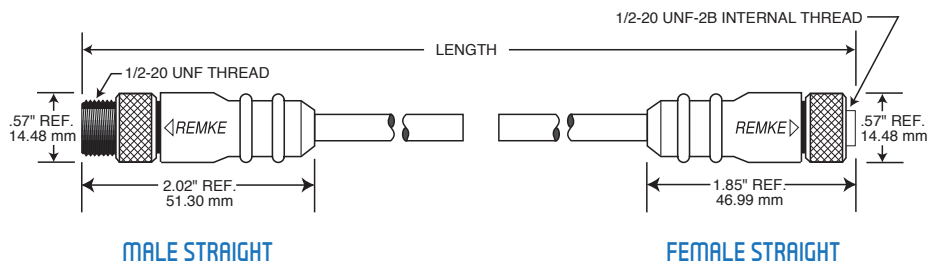


# DUAL KEY RUBBER (SJ00W) MICRO-LINK™ CABLE ASSEMBLIES

SPECIFICATIONS			
<b>MATERIALS</b>		<b>ENVIRONMENTAL</b>	
Body	Rubber	Protection	IP67
O-Ring	Nitrile Rubber	Operating Temp	SJ00W: -50°C to 90°C (UL), -34°C to 90°C (CSA)
Contact	Brass, Gold Plated over Nickel	<b>CERTIFICATIONS</b>	
Coupling Nut	Machined Aluminum, Clear Anodized		Recognized, File No. E165657
Cable	#18 AWG SJ00W NBR/PVC 41 x #34 Stranding, 90°C, UL Recognized, CSA Certified		Certified, File No. E165657
Cable Diameters	#18 AWG SJ00W 2/C-.31", 3/C-.33", 4/C-.36", 5/C-.39"	<b>OPTIONS</b>	
<b>ELECTRICAL</b>		Stainless Steel Couplers	
Voltage Rating	250 VAC/300 VDC	Plastic Couplers	
Current	#18 AWG-5A	90 Degree Style Male or Female Bodies	
Contact Resistance	≤5mΩ		

## MALE/FEMALE PLUGS

CABLE ASSEMBLY PART NUMBERS						
Number of Poles	Male Contact Rotation	Female Contact Rotation	Wiring Color Code	Length	Wire Gauge (AWG)	Male/Female
2			1-Brown 2-Blue	6 FT/1.8M	#18 (SJ00W)	602K0060C
				12 FT/3.6M	#18 (SJ00W)	602K0120C
				20 FT/6.1M	#18 (SJ00W)	602K0200C
3			1-Green 2-Red/Black 3-Red/White	6 FT/1.8M	#18 (SJ00W)	603K0060C
				12 FT/3.6M	#18 (SJ00W)	603K0120C
				20 FT/6.1M	#18 (SJ00W)	603K0200C
4			1-Red/Black 2-Red/White 3-Red 4-Green	6 FT/1.8M	#18 (SJ00W)	604K0060C
				12 FT/3.6M	#18 (SJ00W)	604K0120C
				20 FT/6.1M	#18 (SJ00W)	604K0200C
5			1-Red/White 2-Red 3-Green 4-Red/Yellow 5-Red/Black	6 FT/1.8M	#18 (SJ00W)	605K0060C
				12 FT/3.6M	#18 (SJ00W)	605K0120C
				20 FT/6.1M	#18 (SJ00W)	605K0200C



CORD CONNECTORS

WIRE MESH GRIPS

PICO-LINK

MICRO-LINK

ETHERLINK

MINI-LINK

MULTI-PORT BOXES

BUS SYSTEM PRODUCTS



# DUAL KEY RUBBER (SJ00W) MICRO-LINK™ PLUG ASSEMBLIES

## SPECIFICATIONS

### MATERIALS

Body	Rubber
O-Ring	Nitrile Rubber
Contact	Brass, Gold Plated over Nickel
Coupling Nut	Machined Aluminum, Black Anodized
Cable	18 AWG SJ00W NBR/PVC 41 x #34 Stranding, 90°C, UL Recognized, CSA Certified

Cable Diameters #18 AWG SJ00W, 2/C-.31", 3/C-.33", 4/C-.36", 5/C-.39"

### ELECTRICAL

Voltage Rating	250 VAC/300 VDC
Current	#18 AWG-5A
Contact Resistance	≤5mΩ

### ENVIRONMENTAL

Protection	IP67
Operating Temp	SJ00W: 50°C to 90°C (UL), -34°C to 90°C (CSA)

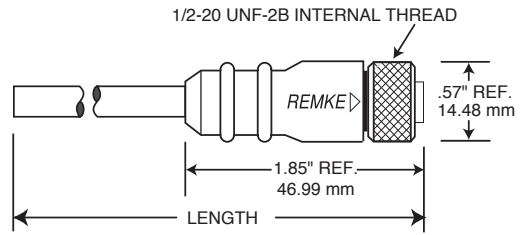
### CERTIFICATIONS

Recognized, File No. E165657

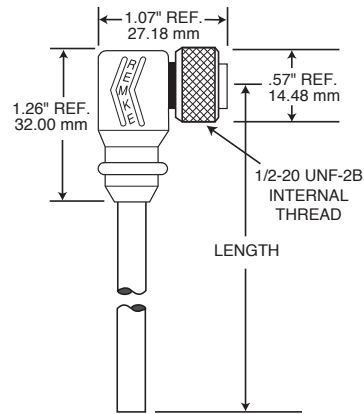
Certified, File No. E165657

### OPTIONS

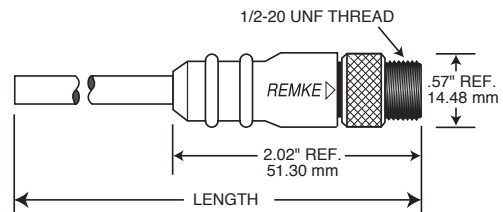
Stainless Steel Couplers	
Plastic Couplers	



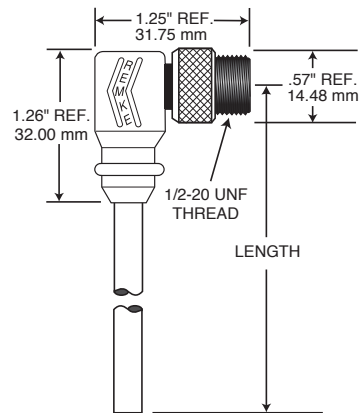
FEMALE STRAIGHT



FEMALE 90°




MALE STRAIGHT



MALE 90°



## FEMALE PLUGS

PLUG ASSEMBLY PART NUMBERS							
Number of Poles	Female Contact Rotation	Wiring Color Code	Length	Wire Gauge (AWG)	Straight Plug	90° Plug	Mating Male Receptacle
2		1-Brown 2-Blue	6 FT/1.8M	#18 (SJ00W)	602A0060C	602C0060C	202P0010N
			12 FT/3.6M	#18 (SJ00W)	602A0120C	602C0120C	202P0010N
			20 FT/6.1M	#18 (SJ00W)	602A0200C	602C0200C	202P0010N
3		1-Green 2-Red/Black 3-Red/White	6 FT/1.8M	#18 (SJ00W)	603A0060C	603C0060C	203P0010N
			12 FT/3.6M	#18 (SJ00W)	603A0120C	603C0120C	203P0010N
			20 FT/6.1M	#18 (SJ00W)	603A0200C	603C0200C	203P0010N
4		1-Red/Black 2-Red/White 3-Red 4-Green	6 FT/1.8M	#18 (SJ00W)	604A0060C	604C0060C	204P0010N
			12 FT/3.6M	#18 (SJ00W)	604A0120C	604C0120C	204P0010N
			20 FT/6.1M	#18 (SJ00W)	604A0200C	604C0200C	204P0010N
5		1-Red/White 2-Red 3-Green 4-Red/Yellow 5-Red/Black	6 FT/1.8M	#18 (SJ00W)	605A0060C	605C0060C	205P0010N
			12 FT/3.6M	#18 (SJ00W)	605A0120C	605C0120C	205P0010N
			20 FT/6.1M	#18 (SJ00W)	605A0200C	605C0200C	205P0010N

## MALE PLUGS

PLUG ASSEMBLY PART NUMBERS							
Number of Poles	Male Contact Rotation	Wiring Color Code	Length	Wire Gauge (AWG)	Straight Plug	90° Plug	Mating Female Receptacle
2		1-Brown 2-Blue	6 FT/1.8M	#18 (SJ00W)	602E0060C	602F0060C	202S0010N
			12 FT/3.6M	#18 (SJ00W)	602E0120C	602F0120C	202S0010N
			20 FT/6.1M	#18 (SJ00W)	602E0200C	602F0200C	202S0010N
3		1-Green 2-Red/Black 3-Red/White	6 FT/1.8M	#18 (SJ00W)	603E0060C	603F0060C	203S0010N
			12 FT/3.6M	#18 (SJ00W)	603E0120C	603F0120C	203S0010N
			20 FT/6.1M	#18 (SJ00W)	603E0200C	603F0200C	203S0010N
4		1-Red/Black 2-Red/White 3-Red 4-Green	6 FT/1.8M	#18 (SJ00W)	604E0060C	604F0060C	204S0010N
			12 FT/3.6M	#18 (SJ00W)	604E0120C	604F0120C	204S0010N
			20 FT/6.1M	#18 (SJ00W)	604E0200C	604F0200C	204S0010N
5		1-Red/White 2-Red 3-Green 4-Red/Yellow 5-Red/Black	6 FT/1.8M	#18 (SJ00W)	605E0060C	605F0060C	205S0010N
			12 FT/3.6M	#18 (SJ00W)	605E0120C	605F0120C	205S0010N
			20 FT/6.1M	#18 (SJ00W)	605E0200C	605F0200C	205S0010N

CORD CONNECTORS

WIRE MESH GRIPS

PICO-LINK

MICRO-LINK

ETHERLINK

MINI-LINK

MULTI-PORT BOXES

BUS SYSTEM PRODUCTS





# DUAL KEY MICRO-LINK™ RECEPTACLES

## SPECIFICATIONS

### MATERIALS

Lock Nut	Plated Steel (not pictured)
Contact	Brass, Gold Plated over Nickel
Shell	Machined Aluminum, Clear Anodized
O-Ring	Nitrile Rubber
Wire	#22 AWG PVC Insulated 26 x #36 Stranding, 80°C

### ELECTRICAL

Voltage Rating	250 VAC/300 VDC
Current	#22 AWG-2 to 5 Pole-4A, - Pole-3A/#18 AWG 5A
Contact Resistance	≤5mΩ

### ENVIRONMENTAL

Protection	IP67
Operating Temp	-20°C to 80°C

### CERTIFICATIONS

Recognized,  
File No. E165657

Certified,  
File No. E165657

### OPTIONS

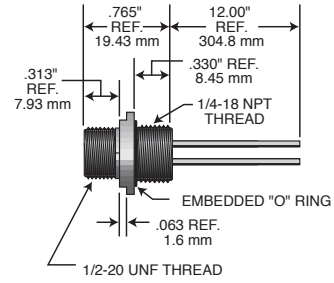
- #18 AWG (PVC) Leads
- Stainless Steel Shells
- (Not available on back panel mount styles)

### NOTES

For use w/ shielded cordsets, add suffix "9" (ex: 202P0010P9).  
Knock-out dimensions in Tuff-Link Technical Reference Section.

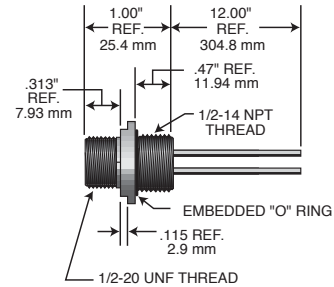
## MALE

1/4" NPT (FIG. A)



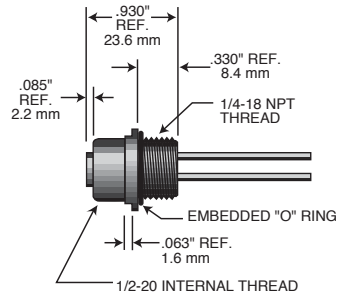
## MALE

1/2" NPT (FIG. B)



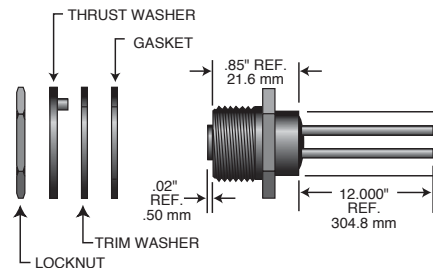
## FEMALE

1/4" NPT (FIG. C)








## FEMALE

BACK PANEL MOUNT (FIG. D)



# MALE

RECEPTACLE PART NUMBERS					
Number of Poles	Male Contact Rotation	Wiring Color Code	Wire Gauge (AWG)	1/4" NPT (Fig. A)	1/2" NPT (Fig. B)
2		1-Brown 2-Blue	#22 (PVC)	202R0010P	202P0010P
3		1-Green 2-Red/Black 3-Red/White	#22 (PVC)	203R0010P	203P0010P
4		1-Red/Black 2-Red/White 3-Red 4-Green	#22 (PVC)	204R0010P	204P0010P
5		1-Red/White 2-Red 3-Green 4-Red/Yellow 5-Red/Black	#22 (PVC)	205R0010P	205P0010P
6		1-Red/White 2-Red 3-Green 4-Red/Yellow 5-Red/Black 6-Red/Blue	#22 (PVC)	206R0010P	206P0010P

**NOTES:** Add Suffix 'N' for #18 AWG and add Suffix 'P' for #22 AWG (Except for 6 Pole - no suffix 'P' available)

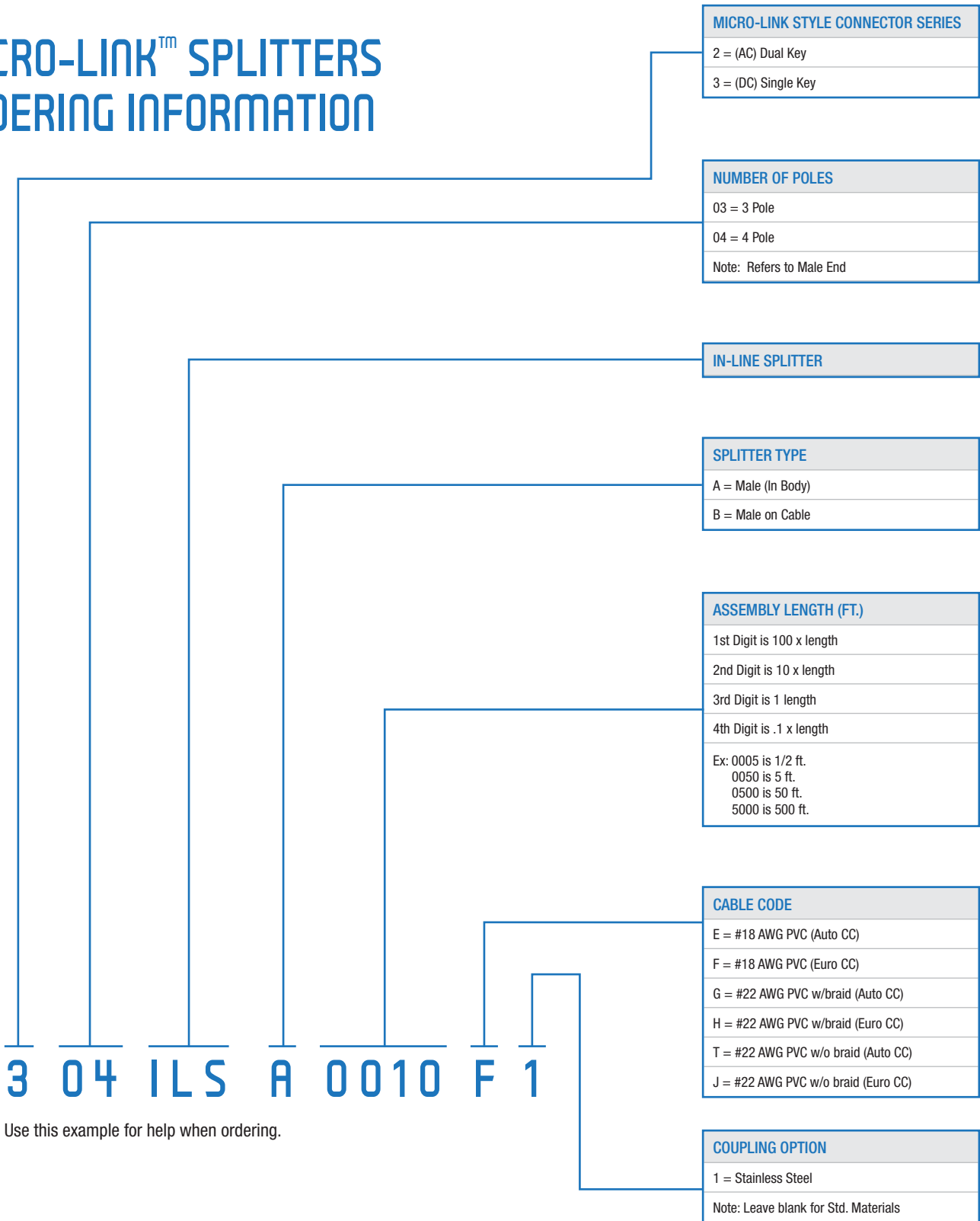
# FEMALE

RECEPTACLE PART NUMBERS					
Number of Poles	Female Contact Rotation	Wiring Color Code	Wire Gauge (AWG)	1/4" NPT (Fig. C)	Back Panel Mount #18 AWG (Fig. D)
2		1-Brown 2-Blue	#22 (PVC)	202S0010P	202W0010N
3		1-Green 2-Red/Black 3-Red/White	#22 (PVC)	203S0010P	203W0010N
4		1-Red/Black 2-Red/White 3-Red 4-Green	#22 (PVC)	204S0010P	204W0010N
5		1-Red/White 2-Red 3-Green 4-Red/Yellow 5-Red/Black	#22 (PVC)	205S0010P	205W0010N
6		1-Red/White 2-Red 3-Green 4-Red/Yellow 5-Red/Black 6-Red/Blue	#22 (PVC)	206S0010P	N/A





# MICRO-LINK™ SPLITTERS ORDERING INFORMATION



MICRO-LINK STYLE CONNECTOR SERIES
2 = (AC) Dual Key
3 = (DC) Single Key

NUMBER OF POLES
03 = 3 Pole
04 = 4 Pole
Note: Refers to Male End

IN-LINE SPLITTER
------------------

SPLITTER TYPE
A = Male (In Body)
B = Male on Cable

ASSEMBLY LENGTH (FT.)
1st Digit is 100 x length
2nd Digit is 10 x length
3rd Digit is 1 length
4th Digit is .1 x length
Ex: 0005 is 1/2 ft. 0050 is 5 ft. 0500 is 50 ft. 5000 is 500 ft.

CABLE CODE
E = #18 AWG PVC (Auto CC)
F = #18 AWG PVC (Euro CC)
G = #22 AWG PVC w/braid (Auto CC)
H = #22 AWG PVC w/braid (Euro CC)
T = #22 AWG PVC w/o braid (Auto CC)
J = #22 AWG PVC w/o braid (Euro CC)

COUPLING OPTION
1 = Stainless Steel
Note: Leave blank for Std. Materials

**3 04 ILS A 0010 F 1**

Use this example for help when ordering.



# MICRO-LINK™ SPLITTERS

## SPECIFICATIONS

### MATERIALS

Body	PVC
O-Ring	Nitrile Rubber
Contact	Brass, Gold Plated over Nickel
Coupling Nut	Machined Aluminum, Anodized
Cable	#22 AWG PVC 26 x #36 Stranding, 105°C, UL Recognized, CSA Certified
	#18 AWG PVC 41 x #34 Stranding, 105°C, UL Recognized, CSA Certified
Cable Diameters	#22 AWG PVC w/o braid, 3/C-.18", 4/C-.19"
	#22 AWG PVC w/braid, 3/C-.23", 4/C-.25"
	#18 AWG PVC, 3/C-.29", 4/C-.29"

### ELECTRICAL

Voltage Rating	250 VAC/300 VDC
----------------	-----------------

### ENVIRONMENTAL

Protection	IP 67
Operating Temp	-20° C to +105° C

### OPTIONS

- #22 AWG PVC with & without braid (single key)
- #22 AWG PVC with braid (dual key)
- #18 AWG PVC (dual key)
- Stainless steel couplers

CORD CONNECTORS

WIRE MESH GRIPS

PICO-LINK

MICRO-LINK

ETHERLINK

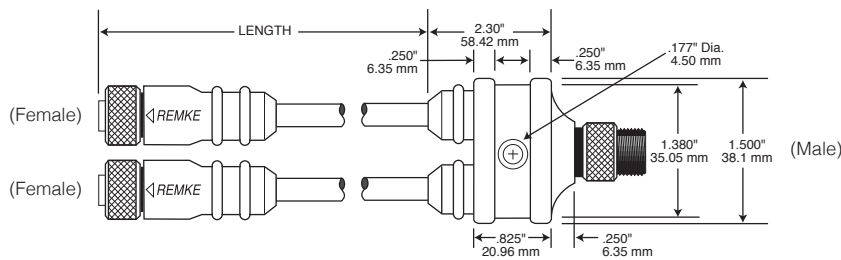
MINI-LINK

MULTI-PORT BOXES

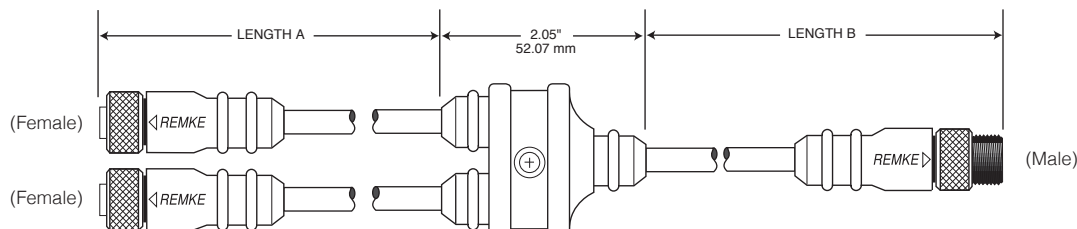
BUS SYSTEM PRODUCTS

## SPLITTER PART NUMBERS

Number of Poles	Wire Gauge (AWG)	Type "A" Splitter	Type "B" Splitter
(4) Dual Key	#22 (PVC)	204ILSA0010T	204ILSB0010T
(4) Single Key (M12)	#18 (PVC)	304ILSA0010F	304ILSB0010F



TYPE "A"



TYPE "B"



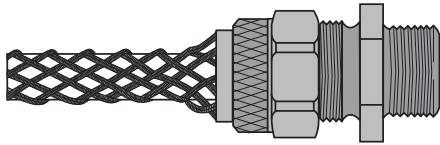


# MICRO-LINK™ WIRE MANAGEMENT ACCESSORIES

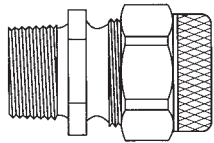
## STRAIN RELIEF CORD GRIPS

Available in standard sizes (1/4" through 3"), Remke Cord Grips are produced in aluminum, nylon, steel and stainless steel to provide maximum sealing and support for cord terminations. Custom designs are available, including designs with metric threads and other special features. Inquire of your Remke Representative or Distributor.

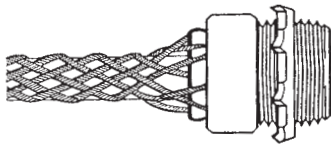
Choose from hundreds of Strain Relief and Cable Support products manufactured by Remke such as Cord Grip, Wide Range Grips and Bus Drop Grips, illustrated to the below.



CORD GRIPS

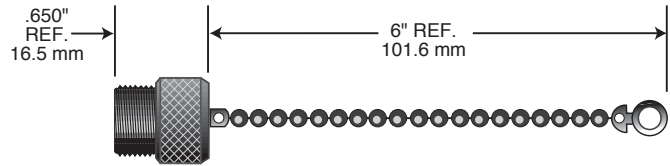


WIDE RANGE GRIPS



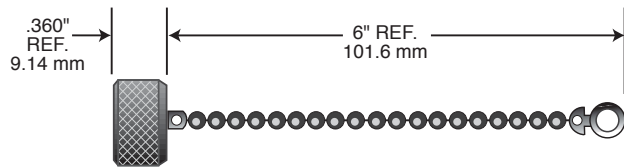
BUS DROP GRIPS

## CLOSURE CAPS FOR PLUGS AND RECEPTACLES WITH INTERNAL THREADS



Single Key (M12)	Dual Key (1/2-20)
75-0025	75-0027

## CLOSURE CAPS FOR PLUGS AND RECEPTACLES WITH EXTERNAL THREADS



Single Key (M12)	Dual Key (1/2-20)
75-0026	75-0028

For Stainless Steel add "SS" as suffix



# M12 ATTACHABLE CONNECTORS

## SPECIFICATIONS

### MATERIALS

Body	Nylon
Contact	Copper Alloy, Gold Plated
Coupling Nut	Brass with Nickel Plating
Cable Outlets	PG7-4 to 6mm, PG9-6 to 8mm

### ELECTRICAL

Voltage Rating	4 Pole 125VAC/150VDC, 5 Pole 30VAC/36VDC
Current	4 amps
Max. Wire Gauge	18 Gauge

### ENVIRONMENTAL

Protection	IP67
Operating Temp	-25°C to 90°C

### NOTE

PG7 Cable Range .16" (4mm) to .24" (6mm)  
 PG9 Cable Range .24" (6mm) to .31" (8mm)

CORD CONNECTORS

WIRE MESH GRIPS

PICO-LINK

MICRO-LINK

ETHERLINK

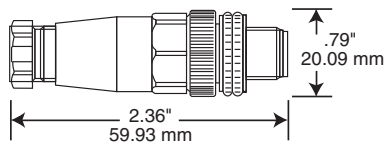
MINI-LINK

MULTI-PORT BOXES

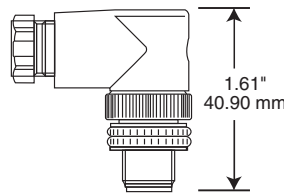
BUS SYSTEM PRODUCTS

## CONNECTOR PART NUMBERS

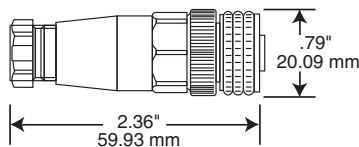
Number of Poles	Male Contact Rotation	Female Contact Rotation	Cable Entry	Male Straight	Male 90 Degree	Female Straight	Female 90 Degree
4			PG7	304EFW7	304FFW7	304AFW7	304CFW7
			PG9	304EFW9	304FFW9	304AFW9	304CFW9
5			PG7	305EFW7	305FFW7	305AFW7	305CFW7
			PG9	305EFW9	305FFW9	305AFW9	305CFW9



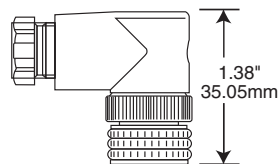
MALE STRAIGHT



MALE 90°



FEMALE STRAIGHT



FEMALE 90°





## M12 ETHERLINK CONNECTORS



### M12 ETHERLINK CONNECTORS RATED IP68 FOR TOUGH ENVIRONMENTS

Remke M12 Etherlink Connectors feature our industrial-strength Micro-Link molded connectors with industry-standard D-coding for Ethernet and Fieldbus use. M12 connectors are very sturdy despite their small size, and they provide a reliable connection even when subjected to shock or vibration. Etherlink connectors offer IEC 11801:2002 Cat5 compliance with TPE cable that is shielded against EMC interference. Easy-to-install TPE cable is also ideal for high flex applications in harsh environments where the highest degree of oil resistance and extended service life are essential.

### COMPACT DESIGN & SECURE DATA TRANSMISSION

Rated IP68 and Remke M12 Ethernet connectors support data rates up to a Gigabit and are able to withstand the most rugged industrial environmental conditions to ensure high Ethernet or Fieldbus network availability. Quick and cost-effective to install and put into operation, these Remke M12 connectors are molded to shielded TPE cable for Cat5e data performance. 360° EMI shielding is important to all applications that depend on both high bandwidth and secure data transmission.

Features of Remke M12 Etherlink Connectors include:

- Single and double-ended options including an RJ45 cable assembly
- Available in male & female, straight and 90 degree configurations
- Temperature range from -40°C to +80°C
- Receptacles designed for conventional threaded connections to ensure reliable mating
- 100% factory tested

RJ45 connectors are the most widely used connection technology for Ethernet systems. However, for Ethernet networks that must comply with protection class IP67 or 68, the M12 connector is best suited for those applications. As both connectors offer Cat5 compliance, our double-ended cable assembly provides you with the IP68 protection of a Remke M12 Micro-Link molded connector & the compact design of the RJ45 connector for horizontal or vertical multi-port connections.

TPE cable features an abrasion-resistant jacket with 3 times the low-temperature flexibility and resists solvents, chemicals and fuels better than ordinary PVC. Applications for Remke M12 Ethernet connectors include manufacturing, process control, factory automation and more.





# M12 ETHERLINK ORDERING INFORMATION

MICRO-LINK STYLE CONNECTOR SERIES
E = M12 (D-Code)
ERJ = M12 (D-Code) / RJ45

NUMBER OF POLES
04 = 4 Pole

CONNECTOR STYLE	
A = Female Straight	T = Male Recpt. (M14 x 1) Thread
C = Female 90°	W = Female Recpt. (M16 x 1.5) Thread
E = Male Straight	Z = Female Recpt. (PG9) Thread
F = Male 90°	AB = Male Recpt. (PG9) Thread
K = Male/Female (Straight/Straight)*	* = Male Has External Threads
KM = Male/Male (Straight/Straight)	
M = Male/Female (90°/Straight)*	
MM = Male/Male (90°/Straight)	
NM = Male/Male (90°/90°)	Note: Other connector styles available. Consult Factory.

ASSEMBLY LENGTH (FT.)	
1st Digit is 100 x Length	Ex: 0005 is 1/2 Ft.
2nd Digit is 10 x Length	0050 is 5 Ft.
3rd Digit is 1 x Length	0500 is 50 Ft.
4th Digit is .1 x Length	5000 is 500 Ft.

CABLE CODE
BA5 = # 24/4C Type Cat 5E (stranded)
Other cable options available. Consult Factory.

COUPLING OR SHELL OPTIONS	
1 = Stainless Steel	N = Non-Metallic
9 = Nickel-Plated Brass	Note: Leave Blank for Std. Materials

**E 04 A 0050 BA5 1**

Use this example for help when ordering.

CORD CONNECTORS

WIRE MESH GRIPS

PICO-LINK

MICRO-LINK

ETHERLINK

MINI-LINK

MULTI-PORT BOXES

BUS SYSTEM PRODUCTS





# M12 ETHERLINK CONNECTORS

SPECIFICATIONS			
MATERIALS		ELECTRICAL	
<b>O-Ring</b>	Nitrile Rubber	<b>Voltage Rating</b>	125 VAC
<b>Contact</b>	Brass, Gold Plated Over Nickel	<b>Current</b>	4 A
<b>Coupling Nut</b>	(Non-Shielded) Machined Aluminum, Black Anodized	<b>Contact Resistance</b>	≥5mΩ
	(Shielded) Machined Brass, Nickel Plated	ENVIRONMENTAL	
<b>Cable Diameters</b>	#24 AWG TPE Stranded Without Shield, 4/C - .315" nominal	<b>Protection</b>	IP67
	#24 AWG TPE Stranded With Foil Shield, 4/C - .320" nominal	<b>Operating Temp</b>	-20°C to 75°C
	#24 AWG TPE Stranded with Foil/Braid Shield, 4/C - .335" nominal	CERTIFICATIONS	
			Recognized, File No. E165657
			Certified, File No. E165657

## FEMALE PLUGS

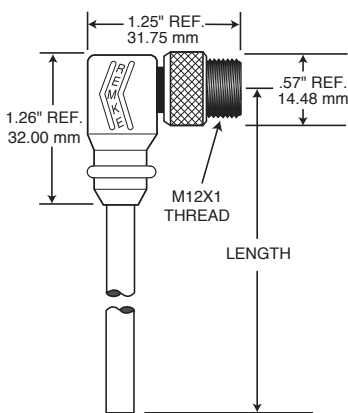
### PLUG ASSEMBLY PART NUMBERS

LENGTH	Wire Gauge (AWG)	Straight Plug Non-Shielded	Straight Plug Shielded	90° Plug Non-Shielded	Mating Male Receptacle
2M/6.6 FT.	#24 TPE	E04A0066BA5	E04E0066BA5S9	E04C0066BA5	E04R0010P24
4M/13.1 FT.	#24 TPE	E04A0131BA5	E04A0131BA5S9	E04C0131BA5	E04R0010P24
5M/16.4 FT.	#24 TPE	E04A0164BA5	E04A0164BA5S9	E04C0164BA5	E04R0010P24

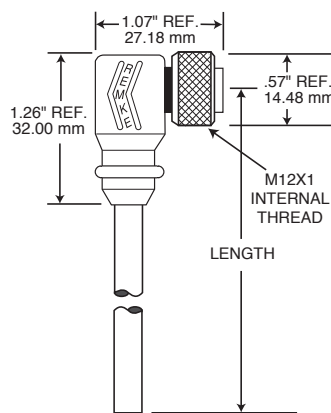
## MALE PLUGS

### PLUG ASSEMBLY PART NUMBERS

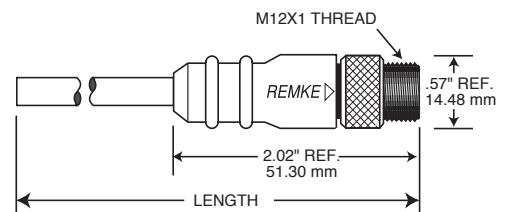
LENGTH	Wire Gauge (AWG)	Straight Plug Non-Shielded	Straight Plug Shielded	90° Plug Non-Shielded	Mating Female Receptacle
2M/6.6 FT.	#24 TPE	E04E0066BA5	E04E0066BA5S9	E04F0066BA5	E04S0010P24
4M/13.1 FT.	#24 TPE	E04E0131BA5	E04E0131BA5S9	E04F0131BA5	E04S0010P24
5M/16.4 FT.	#24 TPE	E04E0164BA5	E04E0164BA5S9	E04F0164BA5	E04S0010P24



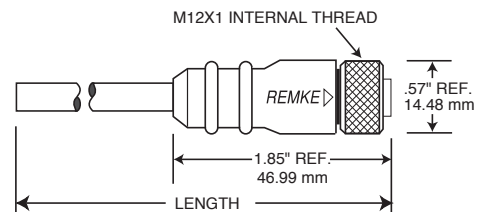
MALE 90°



FEMALE 90°



MALE STRAIGHT



FEMALE STRAIGHT

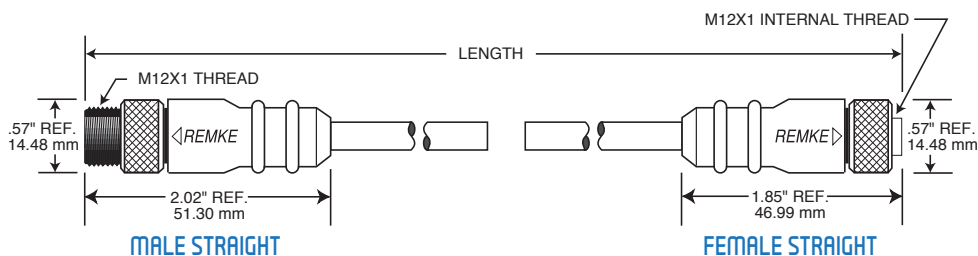


# M12 ETHERLINK CONNECTORS

## MALE/FEMALE CABLE ASSEMBLIES

CABLE ASSEMBLY PART NUMBERS				
Number of Poles	Length	Wire Gauge (AWG)	Male/Female Non-Shielded	Male/Female Shielded
4	2M/6.6 FT.	#24 TPE	E04K0066BA5	E04K0066BA5S9
	4M/13.1 FT.	#24 TPE	E04K0131BA5	E04K0131BA5S9
	5M/16.4 FT.	#24 TPE	E04K0164BA5	E04K0164BA5S9

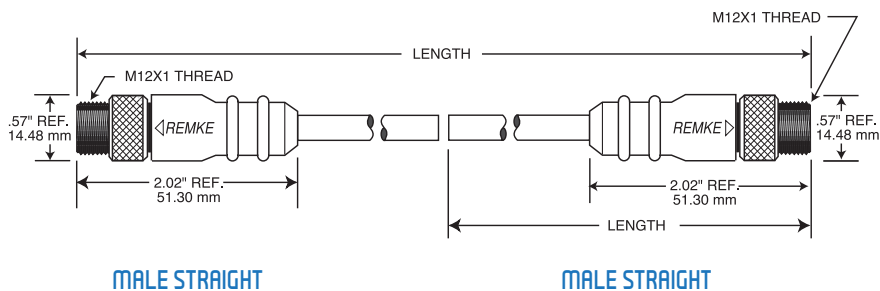
Note: For other configurations see ordering matrix



## MALE/MALE CABLE ASSEMBLIES

CABLE ASSEMBLY PART NUMBERS				
Number of Poles	Length	Wire Gauge (AWG)	Male/Male Non-Shielded	Male/Male Shielded
4	2M/6.6 FT.	#24 TPE	E04KM0066BA5	E04KM0066BA5S9
	4M/13.1 FT.	#24 TPE	E04KM0131BA5	E04KM0131BA5S9
	5M/16.4 FT.	#24 TPE	E04KM0164BA5	E04KM0164BA5S9

Note: For other configurations see ordering matrix



CORD CONNECTORS

WIRE MESH GRIPS

PICO-LINK

MICRO-LINK

ETHERLINK

MINI-LINK

MULTI-PORT BOXES


BUS SYSTEM PRODUCTS

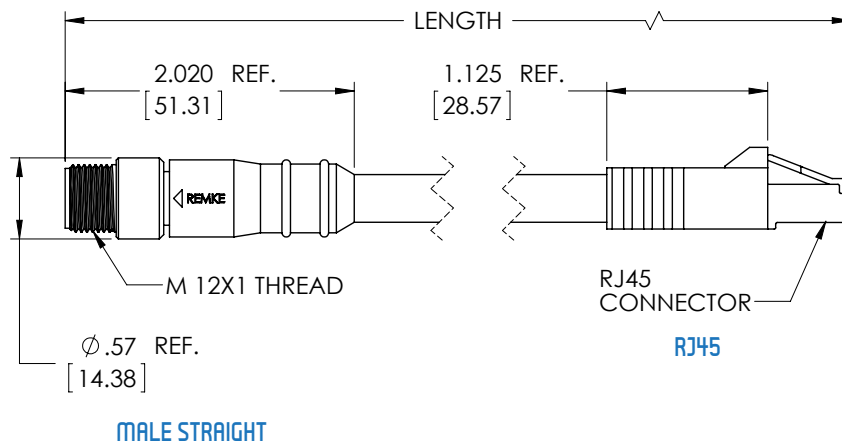


# M12 ETHERLINK CONNECTORS

## M12 D-CODE/RJ45 CORDSET

### CORDSET PART NUMBERS

Number of Poles	Male Contact Rotation	Wiring Color Code	Length	Straight Male	90 Degree Male
4		1-White/Orange 2-White/Green 3-Orange 4-Green	2M/6.6 FT	ERJ04K0066BA5	ERJ04M0066BA5
			4M/13.1FT	ERJ04K0131BA5	ERJ04M0131BA5
			5M/16.4FT	ERJ04K0164BA5	ERJ04M0164BA5





# M12 ETHERLINK CONNECTORS

## SPECIFICATIONS

MATERIALS		ENVIRONMENTAL	
Body	PVC	Protection	IP67
O-Ring	Nitrile Rubber	Operating Temp	PVC: -20°C to 105°C
Contact	Brass, Gold Plated over Nickel	<b>CERTIFICATIONS</b>	
Shell	Machined Aluminum, Clear Anodized		Recognized, File No. E165657
Wire	#22 AWG PVC Insulated, 80° C		Certified, File No. E165657
ELECTRICAL		OPTIONS	
Voltage Rating	125 VAC	#18 AWG (PVC) Cord Sets (2-5 pole)	
Current	4A	Stainless Steel Couplers	
Contact Resistance	≤5mΩ	Plastic Couplers	
		90 Degree Style Male or Female Bodies	

## FEMALE

### RECEPTACLE PART NUMBERS

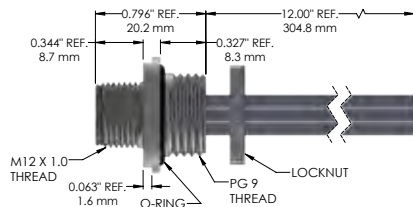
Number of Poles	Female Contact Rotation	Wiring Color Code	WIRE GAUGE (AWG)	PG 9	M16 x 1.5
4		1-White/Orange 2-White/Green 3-Orange 4-Green	#22 (PVC)	E04Z0010P	E04W0010P16

## MALE

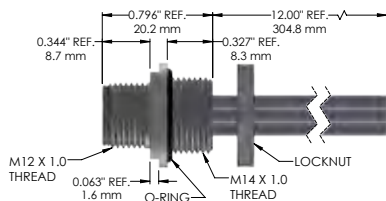
### RECEPTACLE PART NUMBERS

Number of Poles	Male Contact Rotation	Wiring Color Code	WIRE GAUGE (AWG)	PG 9	M14 x 1
4		1-White/Orange 2-White/Green 3-Orange 4-Green	#22 (PVC)	E04AB0010P	E04T0010P

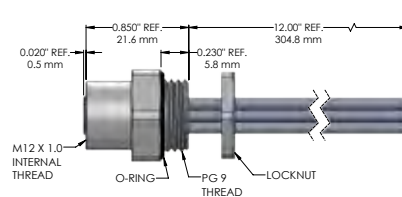
**MALE**  
PG 9



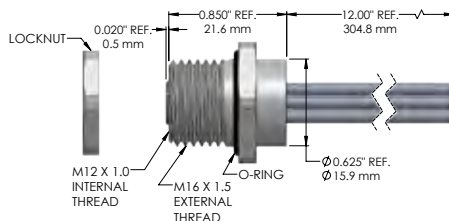
**MALE**  
M14 X 1



**FEMALE**  
PG 9



**FEMALE**  
MX16 X 1.5



CORD CONNECTORS

WIRE MESH GRIPS

PICO-LINK

MICRO-LINK

ETHERLINK

MINI-LINK

MULTI-PORT BOXES

BUS SYSTEM PRODUCTS



## MINI-LINK™ PRODUCT FAMILY



### MINI-LINK™ MOLDED CONNECTORS & CORDSETS

The Remke family of Mini-Link Molded Connectors & Cordsets are ideally suited for applications where flexibility and resistance to stress, abuse or harsh environments is important. Molded connectors & cordsets are available in:

- PVC (plastic) for general industrial applications
- Rubber for use in applications where flexibility & resistance to abusive environments thru a broad temperature range is important
- Hi-Temp Silicone for applications with extreme temperature changes or flexibility & severe environments where absolute reliability is required

- TPE (available upon request) for environments with chemicals and corrosives

Mini-Link connectors are available in 2-12 pole configurations, straight and 90 degree, male & female with these features:

- IP 67 protection
- Nickel coated then gold-plated contacts for enhanced corrosion resistance & conductivity
- Pins & contacts crimped onto wires assuring secure terminations
- Precision machined contacts for highly accurate tolerances
- Connectors that meet or exceed UL, CSA, NEMA,
- SAE, IEC and automotive specifications
- Hard Service SOOW, SJ00W or STOW cable configurations
- Integral strain relief and plated coupling nuts

Attachable Mini-Link Connectors provide essential flexibility for wiring in the field. In applications where it is difficult to design or plan wiring due to changing conditions, using Mini-Link cables with attachable molded connectors that can be wired on site is the answer.

### TYPICAL APPLICATIONS USING MINI-LINK CONNECTORS

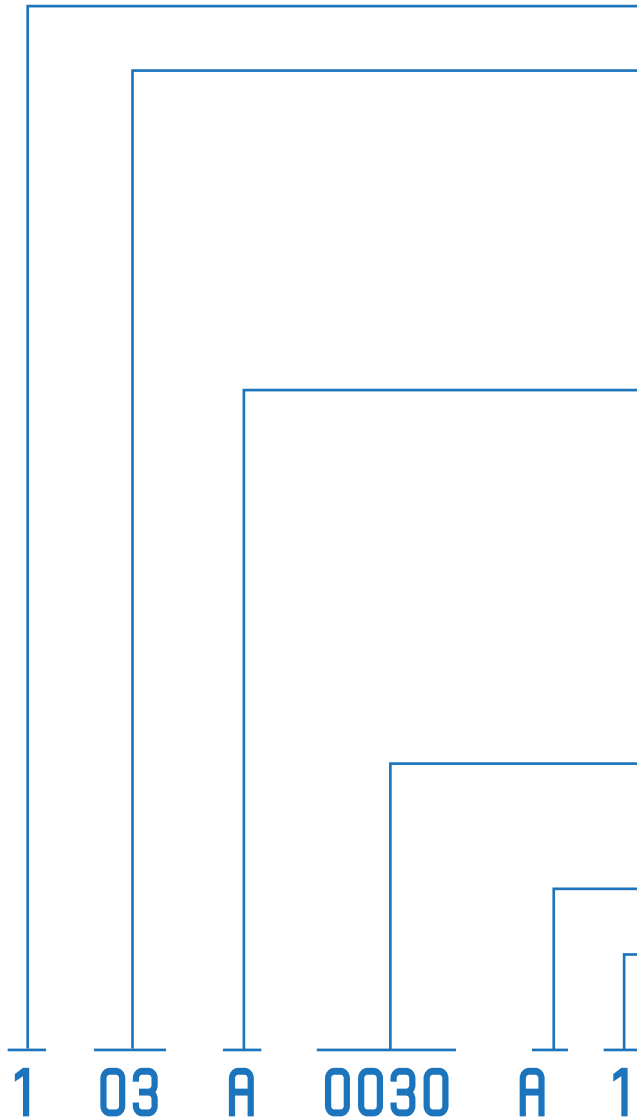
- Sensors on conveyors
- Automated assembly equipment
- Packaging equipment
- Robotics equipment
- Bus systems
- Transportation equipment

### PRODUCTS THAT TYPICALLY USE MINI-LINK CONNECTORS

- 12 and 18mm proximity sensors
- Limit switches
- Photoelectric switches
- Solenoids & Hydraulic valves
- Foot operated switches
- Power tools
- Cranes, hoists and their controls



# MINI-LINK™ PRODUCT ORDERING INFORMATION



Use this example for help when ordering.

**NOTES**  
 For custom configuration, please contact the factory for pricing and delivery information.  
 Other connector styles and cable codes available. Consult factory.

1=MINI-LINK

NUMBER OF POLES	
02 = 2 Pole	07 = 7 Pole
03 = 3 Pole	08 = 8 Pole
04 = 4 Pole	09 = 9 Pole
05 = 5 Pole	10 = 10 Pole
06A = 6 Pole (A-Size)	12 = 12 Pole
06B = 6 Pole (B-Size)	Note: 6 pole (B-Size) through 12 pole in rubber only

CONNECTOR STYLE	
A = Female Straight	J = M/F Ext. (90°/90°)
B = Male Straight	K = M/F Ext.(Straight/Straight) Note: External Threaded Male
C = Female 90 Degree	L = M/F Ext. (Straight/90°) Note: External Threaded Male
D = Male 90 Degree Note: PVC & TPE Cordsets only	M = M/F Ext.(90°/Straight) Note: External Threaded Male
E = Male Straight Note: External Threaded Male	N = M/F Ext. (90°/90°) Note: External Threaded Male
F = Male 90 Degree Note: External Threaded Male	O = Female/Female
G = M/F Ext.(Straight/Straight)	P = Male Receptacle
H = M/F Ext. (Straight/90°)	Q = Female Receptacle
I = M/F Ext.(90°/Straight)	AD = Female Receptacle (Internal Thread 2 to 5 Pole only)
	Note: Other connector styles available. Consult factory.

ASSEMBLY LENGTH (FT.)	
1st Digit is 100 x length	Ex: 0005 is 1/2 ft. 0050 is 5 ft. 0500 is 50 ft. 5000 is 500 ft.
2nd Digit is 10 x length	
3rd Digit is 1 x length	
4th Digit is .1 x length	

CABLE CODE	
A = #16 AWG SOOW-Rubber	AP = #16 AWG STOW-Plastic Note: 2 through 5 pole only
C = #18 AWG SJOOW-Rubber Note: 2 through 5 pole only	AP-TC = #16 AWG PVC Tray Cable
M = #16/1C XLPE (Receptacles Only)	AQ = 18 AWG TPE-Plastic
N = #18/1C PVC (Receptacles Only)	AT = #16 AWG TPE
AHT = #16 AWG Silicone Rubber Note: 2 through 5 pole only	AT-TC = #16AWG TPE Tray Cable
	Note: Other connector styles available. Consult factory.

COUPLING OR SHELL OPTION	
1 = Stainless Steel Note: Leave blank for Std. Materials (Aluminum)	N = Non-metallic Note: 2 to 5 Pole only. Stainless N/A on 90° Receptacle.

CORD CONNECTORS

WIRE MESH GRIPS

PICO-LINK

MICRO-LINK

ETHERLINK

MINI-LINK

MULTI-PORT BOXES

BUS SYSTEM PRODUCTS





# 2 TO 6 POLE PVC MINI-LINK™ PLUG ASSEMBLIES

## SPECIFICATIONS

### MATERIALS

Body	PVC
Contact Sleeve	Stainless Steel
Contact	Brass, Gold Plated over Nickel
Coupling Nut	Machined Aluminum, Black Anodized
Cable	#16 AWG Type STOW, 65 x #34 stranding 105° C
Cable Diameters	2/C-.37", 3/C-.39", 4/C-.42", 5/C-.50", 6/C-.53"



### ELECTRICAL

Voltage Rating	600 V
Contact Resistance	≤5mΩ

### ENVIRONMENTAL

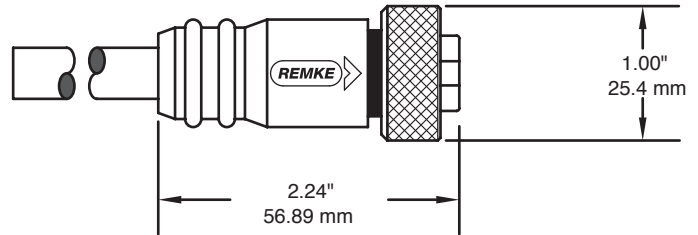
Protection	IP 67
Operating Temp	-20°C to 105°C

### CERTIFICATIONS

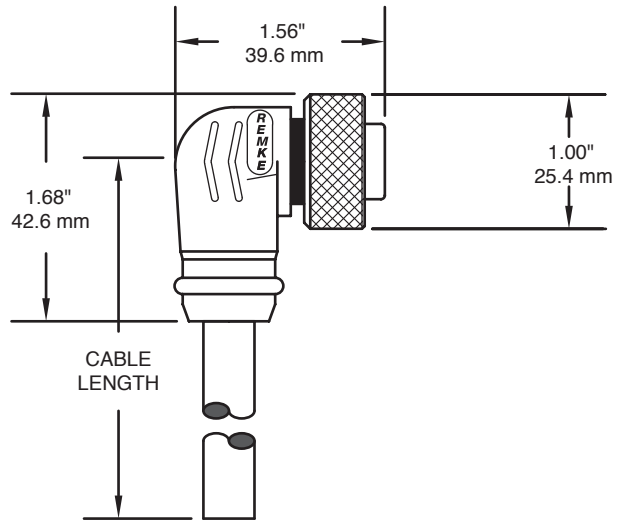
	Recognized, File No. E165657
	Certified, File No. E165657

### OPTIONS

#16 AWG TPE Cable
#18 AWG (PVC) Plug Assemblies
Stainless Steel Couplers
Plastic Couplers



STRAIGHT PLUG



90° PLUG



PLUG ASSEMBLY PART NUMBERS						
Number of Poles	Male Face View	Wiring Color Code	AMP RTG. @ 600V	Cable Length	Straight	90°
2		1-White 2-Black	13A	3 FT	102B0030AP	102D0030AP
			13A	6 FT	102B0060AP	102D0060AP
			13A	12 FT	102B0120AP	102D0120AP
			13A	20 FT	102B0200AP	102D0200AP
3		1-Green 2-Black 3-White	13A	3 FT	103B0030AP	103D0030AP
			13A	6 FT	103B0060AP	103D0060AP
			13A	12 FT	103B0120AP	103D0120AP
			13A	20 FT	103B0200AP	103D0200AP
4		1-Black 2-White 3-Red 4-Green	10A	3 FT	104B0030AP	104D0030AP
			10A	6 FT	104B0060AP	104D0060AP
			10A	12 FT	104B0120AP	104D0120AP
			10A	20 FT	104B0200AP	104D0200AP
5		1-White 2-Red 3-Green 4-Orange 5-Black	8A	3 FT	105B0030AP	105D0030AP
			8A	6 FT	105B0060AP	105D0060AP
			8A	12 FT	105B0120AP	105D0120AP
			8A	20 FT	105B0200AP	105D0200AP
6		1-White 2-Red 3-Green 4-Orange 5-Black 6-Blue	8A	3 FT	106AB0030AP	106AD0030AP
			8A	6 FT	106AB0060AP	106AD0060AP
			8A	12 FT	106AB0120AP	106AD0120AP
			8A	20 FT	106AB0200AP	106AD0200AP

PLUG ASSEMBLY PART NUMBERS						
Number of Poles	Female Face View	Wiring Color Code	AMP RTG. @ 600V	Cable Length	Straight	90°
2		1-White 2-Black	13A	3 FT	102A0030AP	102C0030AP
			13A	6 FT	102A0060AP	102C0060AP
			13A	12 FT	102A0120AP	102C0120AP
			13A	20 FT	102A0200AP	102C0200AP
3		1-Green 2-Black 3-White	13A	3 FT	103A0030AP	103C0030AP
			13A	6 FT	103A0060AP	103C0060AP
			13A	12 FT	103A0120AP	103C0120AP
			13A	20 FT	103A0200AP	103C0200AP
4		1-Black 2-White 3-Red 4-Green	10A	3 FT	104A0030AP	104C0030AP
			10A	6 FT	104A0060AP	104C0060AP
			10A	12 FT	104A0120AP	104C0120AP
			10A	20 FT	104A0200AP	104C0200AP
5		1-White 2-Red 3-Green 4-Orange 5-Black	8A	3 FT	105A0030AP	105C0030AP
			8A	6 FT	105A0060AP	105C0060AP
			8A	12 FT	105A0120AP	105C0120AP
			8A	20 FT	105A0200AP	105C0200AP
6		1-White 2-Red 3-Green 4-Orange 5-Black 6-Blue	8A	3 FT	106AA0030AP	106AC0030AP
			8A	6 FT	106AA0060AP	106AC0060AP
			8A	12 FT	106AA0120AP	106AC0120AP
			8A	20 FT	106AA0200AP	106AC0200AP



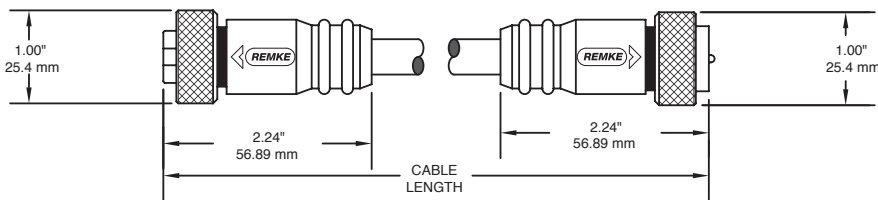


# 2 TO 6 POLE PVC MINI-LINK™ CABLE ASSEMBLIES

SPECIFICATIONS			
<b>MATERIALS</b>		<b>ENVIRONMENTAL</b>	
Body	PVC	Protection	IP 67
Contact Sleeve	Stainless Steel	Operating Temp	-20°C to 105°C
Contact	Brass, Gold Plated over Nickel	<b>CERTIFICATIONS</b>	
Coupling Nut	Machined Aluminum, Black Anodized		Recognized, File No. E165657
Cable	#16 AWG Type STOW, 65 x #34 stranding, 105° C		Certified, File No. E165657
Cable Diameters	2/C-.37", 3/C-.39", 4/C-.42", 5/C-.50", 6/C-.53"	<b>OPTIONS</b>	
<b>ELECTRICAL</b>		#16 AWG TPE Cable	
Voltage Rating	600 V	#18 AWG (PVC) Plug Assemblies (300 V)	
Contact Resistance	≤5mΩ	Stainless Steel Couplers	
		Plastic Couplers	

## DOUBLE END CABLE ASSEMBLIES

CABLE ASSEMBLY PART NUMBERS						
Number of Poles	Male Face View	Female Face View	Wiring Color Code	AMP RTG. @ 600V	Cable Length	Male/Female Assembly
2			1-White 2-Black	13A	3 FT	102G0030AP
				13A	6 FT	102G0060AP
				13A	12 FT	102G0120AP
				13A	20 FT	102G0200AP
3			1-Green 2-Black 3-White	13A	3 FT	103G0030AP
				13A	6 FT	103G0060AP
				13A	12 FT	103G0120AP
				13A	20 FT	103G0200AP
4			1-Black 2-White 3-Red 4-Green	10A	3 FT	104G0030AP
				10A	6 FT	104G0060AP
				10A	12 FT	104G0120AP
				10A	20 FT	104G0200AP
5			1-White 2-Red 3-Green 4-Orange 5-Black	8A	3 FT	105G0030AP
				8A	6 FT	105G0060AP
				8A	12 FT	105G0120AP
				8A	20 FT	105G0200AP
6			1-White 2-Red 3-Green 4-Orange 5-Black 6-Blue	8A	3 FT	106AG0030AP
				8A	6 FT	106AG0060AP
				8A	12 FT	106AG0120AP
				8A	20 FT	106AG0200AP



MALE/FEMALE CORDSET

CORD CONNECTORS

WIRE MESH GRIPS

PICO-LINK

MICRO-LINK

ETHERLINK

MINI-LINK

MULTI-PORT BOXES

BUS SYSTEM  
PRODUCTS





# 6 TO 8 POLE PVC MINI-LINK™ PLUG ASSEMBLIES

## SPECIFICATIONS

### MATERIALS

Body	PVC
Contact Sleeve	Stainless Steel
Contact	Brass, Gold Plated over Nickel
Coupling Nut	Machined Aluminum, Black Anodized
Cable	#16 AWG Type STOW, 65 x #34 stranding 105° C
Cable Diameters	6/C-.53", 7/C-.54", 8/C-.58"


### ELECTRICAL

Voltage Rating	600 V
Contact Resistance	≤5mΩ

### ENVIRONMENTAL

Protection	IP 67
Operating Temp	-20°C to 105°C

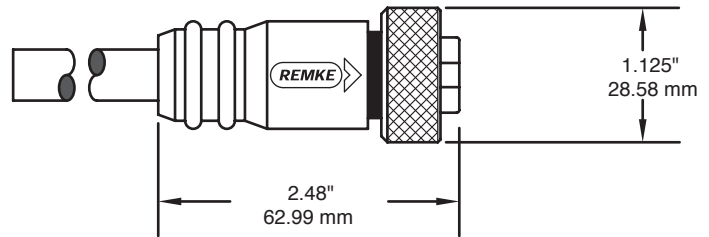
### CERTIFICATIONS

 Recognized,  
File No. E165657

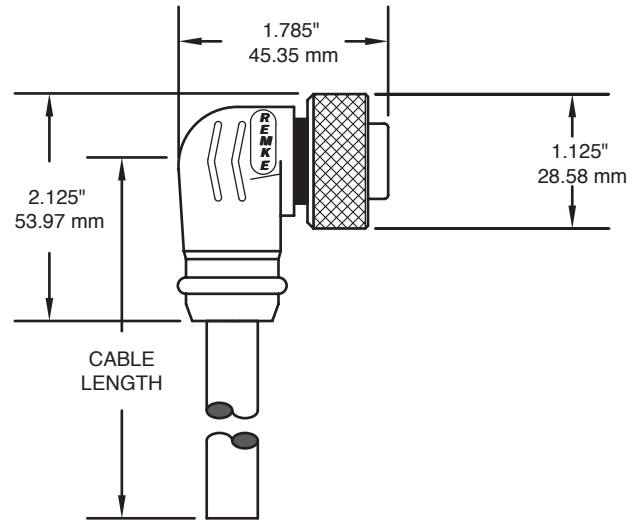
 Certified,  
File No. E165657

### OPTIONS

#16 AWG TPE Cable
Stainless Steel Couplers
Plastic Couplers



STRAIGHT PLUG



90° PLUG

# MALE

PLUG ASSEMBLY PART NUMBERS						
Number of Poles	Male Face View	Wiring Color Code	AMP RTG. @ 600V	Cable Length	Straight	90°
6		1-Orange 2-Blue 3-Black 4-White 5-Red 6-Green	8A	3 FT	106BB0030AP	106BD0030AP
			8A	6 FT	106BB0060AP	106BD0060AP
			8A	12 FT	106BB0120AP	106BD0120AP
			8A	20 FT	106BB0200AP	106BD0200AP
7		1-Wht.blk. Tr. 2-Black 3-White 4-Red 5-Orange 6-Blue 7-Green	8A	3 FT	107B0030AP	107D0030AP
			8A	6 FT	107B0060AP	107D0060AP
			8A	12 FT	107B0120AP	107D0120AP
			8A	20 FT	107B0200AP	107D0200AP
8		1-Orange 2-Blue 3-Wht.blk. Tr. 4-Black 5-White 6-Red 7-Green 8-Red-Blk. Tr.	7A	3 FT	108B0030AP	108D0030AP
			7A	6 FT	108B0060AP	108D0060AP
			7A	12 FT	108B0120AP	108D0120AP
			7A	20 FT	108B0200AP	108D0200AP

# FEMALE

PLUG ASSEMBLY PART NUMBERS						
Number of Poles	Female Face View	Wiring Color Code	AMP RTG. @ 600V	Cable Length	Straight	90°
6		1-Orange 2-Blue 3-Black 4-White 5-Red 6-Green	8A	3 FT	106BA0030AP	106BC0030AP
			8A	6 FT	106BA0060AP	106BC0060AP
			8A	12 FT	106BA0120AP	106BC0120AP
			8A	20 FT	106BA0200AP	106BC0200AP
7		1-Wht.blk. Tr. 2-Black 3-White 4-Red 5-Orange 6-Blue 7-Green	8A	3 FT	107A0030AP	107C0030AP
			8A	6 FT	107A0060AP	107C0060AP
			8A	12 FT	107A0120AP	107C0120AP
			8A	20 FT	107A0200AP	107C0200AP
8		1-Orange 2-Blue 3-Wht.blk. Tr. 4-Black 5-White 6-Red 7-Green 8-Red-Blk. Tr.	7A	3 FT	108A0030AP	108C0030AP
			7A	6 FT	108A0060AP	108C0060AP
			7A	12 FT	108A0120AP	108C0120AP
			7A	20 FT	108A0200AP	108C0200AP



CORD CONNECTORS

WIRE MESH GRIPS

PICO-LINK

MICRO-LINK

ETHERLINK

MINI-LINK

MULTI-PORT BOXES

BUS SYSTEM PRODUCTS



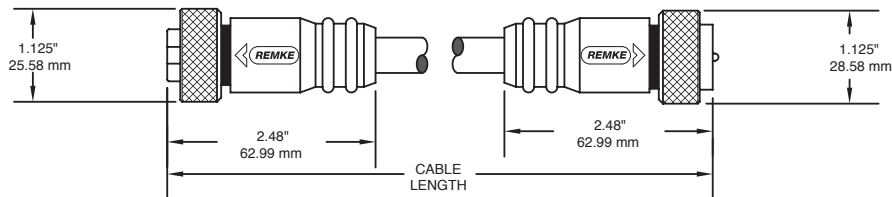
# 6 TO 8 POLE PVC MINI-LINK™ CABLE ASSEMBLIES

SPECIFICATIONS			
<b>MATERIALS</b>		<b>ENVIRONMENTAL</b>	
Body	PVC	Protection	IP 67
Contact Sleeve	Stainless Steel	Operating Temp	-20°C to 105°C
Contact	Brass, Gold Plated over Nickel	<b>CERTIFICATIONS</b>	
Coupling Nut	Machined Aluminum, Black Anodized		Recognized, File No. E165657
Cable	#16 AWG Type STOW, 65 x #34 stranding, 105° C		Certified, File No. E165657
Cable Diameters	6/C-.53", 7/C-.55", 8/C-.58"	<b>OPTIONS</b>	
<b>ELECTRICAL</b>		#16 AWG TPE Cable	
Voltage Rating	600 V	Stainless Steel Couplers	
Contact Resistance	≤5mΩ	Plastic Couplers	

## DOUBLE END CABLE ASSEMBLIES

### CABLE ASSEMBLY PART NUMBERS

Number of Poles	Male Face View	Female Face View	Wiring Color Code	AMP RTG. @ 600V	Cable Length	Male/Female Assembly
6			1-Orange 2-Blue 3-Black 4-White 5-Red 6-Green	8A	3 FT	106GB0030AP
				8A	6 FT	106GB0060AP
				8A	12 FT	106GB0120AP
				8A	20 FT	106GB0200AP
7			1-Wht.blk. Tr. 2-Black 3-White 4-Red 5-Orange 6-Blue 7-Green	8A	3 FT	107G0030AP
				8A	6 FT	107G0060AP
				8A	12 FT	107G0120AP
				8A	20 FT	107G0200AP
8			1-Orange 2-Blue 3-Wht.blk. Tr. 4-Black 5-White 6-Red 7-Green 8-Red-Blk. Tr.	7A	3 FT	108G0030AP
				7A	6 FT	108G0060AP
				7A	12 FT	108G0120AP
				7A	20 FT	108G0200AP



MALE/FEMALE CORDSET

CORD CONNECTORS

WIRE MESH GRIPS

PICO-LINK

MICRO-LINK

ETHERLINK

MINI-LINK

MULTI-PORT BOXES

BUS SYSTEM  
PRODUCTS





# 9 TO 12 POLE PVC MINI-LINK™ PLUG ASSEMBLIES

## SPECIFICATIONS

### MATERIALS

Body	PVC
Contact Sleeve	Stainless Steel
Contact	Brass, Gold Plated over Nickel
Coupling Nut	Machined Aluminum, Black Anodized
Cable	#16 AWG Type STOW, 65 x #34 stranding 105° C
Cable Diameters	9/C-.62", 10/C-.66", 12/C-.68"

### ELECTRICAL

Voltage Rating	600 V
Contact Resistance	≤5mΩ

### ENVIRONMENTAL

Protection	IP 67
Operating Temp	-20°C to 105°C

### CERTIFICATIONS



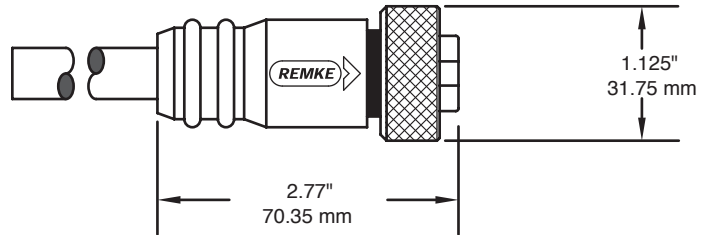
Recognized,  
File No. E165657



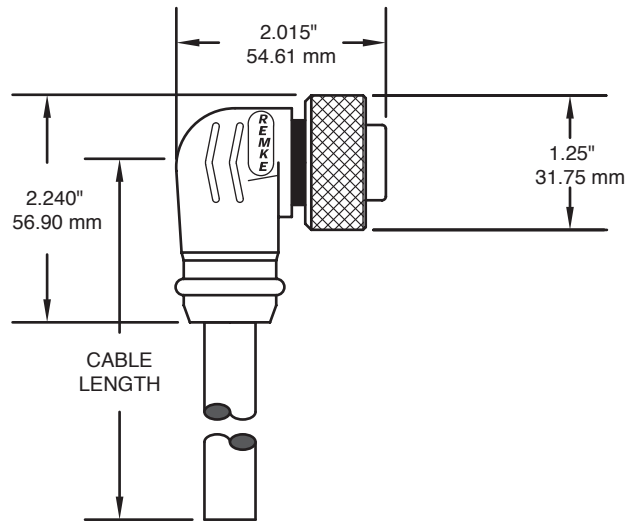
Certified,  
File No. E165657

### OPTIONS

#16 AWG TPE Cable
Stainless Steel Couplers
Plastic Couplers







STRAIGHT PLUG







90° PLUG



## MALE

PLUG ASSEMBLY PART NUMBERS											
Number of Poles	Male Face View	Wiring Color Code		AMP RTG. @ 600V	Cable Length	Straight	90°				
9		1-Orange	6-Red	7A	3 FT	109B0030AP	109D0030AP				
		2-Blue	7-Green								
		3-Red-Blk. Tr.	8-White-Blk. Tr.								
		4-Green-Blk. Tr.	9-Black								
10		1-Orange	6-Org.-Blk. Tr.	7A	3 FT	110B0030AP	110D0030AP				
		2-Blue	7-Red								
		3-White-Blk. Tr.	8-Green								
		4-Red-Blk. Tr.	9-Black								
12		1-Orange	7-Blue.-Blk. Tr.	5A	3 FT	112B0030AP	112D0030AP				
		2-Blue	8-Blk.-Wht. Tr.								
		3-Wht.Blk. Tr.	9-Green								
		4-Red-Blk. Tr.	10-Red								
12		5-Green-Blk. Tr.	11-White	5A	12 FT	112B0120AP	112D0120AP				
		6-Org.-Blk. Tr.	12-Black								
								5A	20 FT	112B0200AP	112D0200AP

## FEMALE

PLUG ASSEMBLY PART NUMBERS											
Number of Poles	Female Face View	Wiring Color Code		AMP RTG. @ 600V	Cable Length	Straight	90°				
9		1-Orange	6-Red	7A	3 FT	109A0030AP	109C0030AP				
		2-Blue	7-Green								
		3-Red-Blk. Tr.	8-White-Blk. Tr.								
		4-Green-Blk. Tr.	9-Black								
10		1-Orange	6-Org.-Blk. Tr.	7A	3 FT	110A0030AP	110C0030AP				
		2-Blue	7-Red								
		3-White-Blk. Tr.	8-Green								
		4-Red-Blk. Tr.	9-Black								
12		1-Orange	7-Blue.-Blk. Tr.	5A	3 FT	112A0030AP	112C0030AP				
		2-Blue	8-Blk.-Wht. Tr.								
		3-Wht.blk. Tr.	9-Green								
		4-Red-Blk. Tr.	10-Red								
12		5-Green-Blk. Tr.	11-White	5A	12 FT	112A0120AP	112C0120AP				
		6-Org.-Blk. Tr.	12-Black								
								5A	20 FT	112A0200AP	112C0200AP



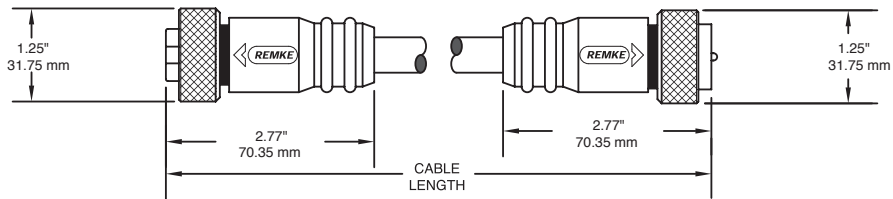


# 9 TO 12 POLE PVC MINI-LINK™ CABLE ASSEMBLIES

SPECIFICATIONS			
<b>MATERIALS</b>		<b>ENVIRONMENTAL</b>	
Body	PVC	Protection	IP 67
Contact Sleeve	Stainless Steel	Operating Temp	-20°C to 105°C
Contact	Brass, Gold Plated over Nickel	<b>CERTIFICATIONS</b>	
Coupling Nut	Machined Aluminum, Black Anodized		Recognized, File No. E165657
Cable	#16 AWG Type STOW, 65 x #34 stranding, 105° C		Certified, File No. E165657
Cable Diameters	9/C-.64", 10/C-.66", 12/C-.68"	<b>OPTIONS</b>	
<b>ELECTRICAL</b>		#18 AWG (PVC) Plug Assemblies	
Voltage Rating	600 VAC	Stainless Steel Couplers	
Contact Resistance	≤5mΩ	Plastic Couplers	

## DOUBLE END CABLE ASSEMBLIES

CABLE ASSEMBLY PART NUMBERS							
Number of Poles	Male Face View	Female Face View	Wiring Color Code		AMP RTG. @ 600V	Cable Length	Male/Female Assembly
9			1-Orange 2-Blue 3-Red-Blk. Tr. 4-Green-Blk. Tr. 5-White	6-Red 7-Green 8-White-Blk. Tr. 9-Black	7A	3 FT	109G0030AP
					7A	6 FT	109G0060AP
					7A	12 FT	109G0120AP
					7A	20 FT	109G0200AP
10			1-Orange 2-Blue 3-White-Blk. Tr. 4-Red-Blk. Tr. 5-Green-Blk. Tr.	6-Org.-Blk. Tr. 7-Red 8-Green 9-Black 10-White	7A	3 FT	110G0030AP
					7A	6 FT	110G0060AP
					7A	12 FT	110G0120AP
					7A	20 FT	110G0200AP
12			1-Orange 2-Blue 3-Wht.blk. Tr. 4-Red-Blk. Tr. 5-Green-Blk. Tr. 6-Org.-Blk. Tr.	7- Blue.-Blk. Tr. 8-Blk.-Wht. Tr. 9-Green 10-Red 11-White 12-Black	5A	3 FT	112G0030AP
					5A	6 FT	112G0060AP
					5A	12 FT	112G0120AP
					5A	20 FT	112G0200AP



MALE/FEMALE CORDSET



# MINI-LINK™ PVC TEE CONNECTORS

## SPECIFICATIONS

### MATERIALS

Body	PVC
Contact	Copper Alloy, Gold Plated
Coupling Nut	Aluminum, Clear Anodized

### ELECTRICAL

Voltage Rating	300 V
Ampacity	8 AMPS

### ENVIRONMENTAL

Protection	IP67
Operating Temp	-20°C to 105°C

### CERTIFICATIONS

Pending	
---------	--

CORD CONNECTORS

WIRE MESH GRIPS

PICO-LINK

MICRO-LINK

ETHERLINK

MINI-LINK

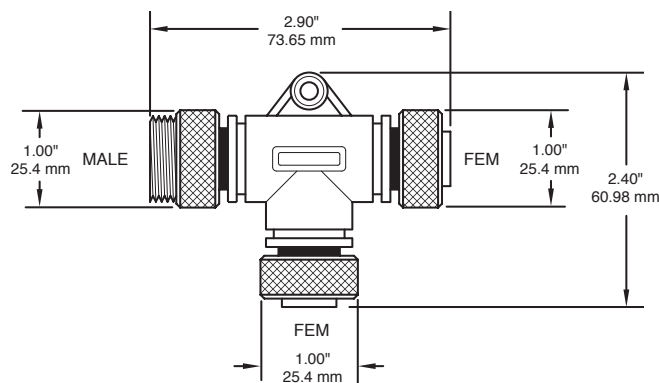
MULTI-PORT BOXES

BUS SYSTEM PRODUCTS

## TEE CONNECTORS

### TEE CONNECTOR PART NUMBERS

Number of Poles	Male Face View	Female Face View	Configuration	Wiring Diagram	Male/Female TEE
3			1-Male 2-Female		TM/MFF3
4			1-Male 2-Female		TM/MFF4
5			1-Male 2-Female		TM/MFF5



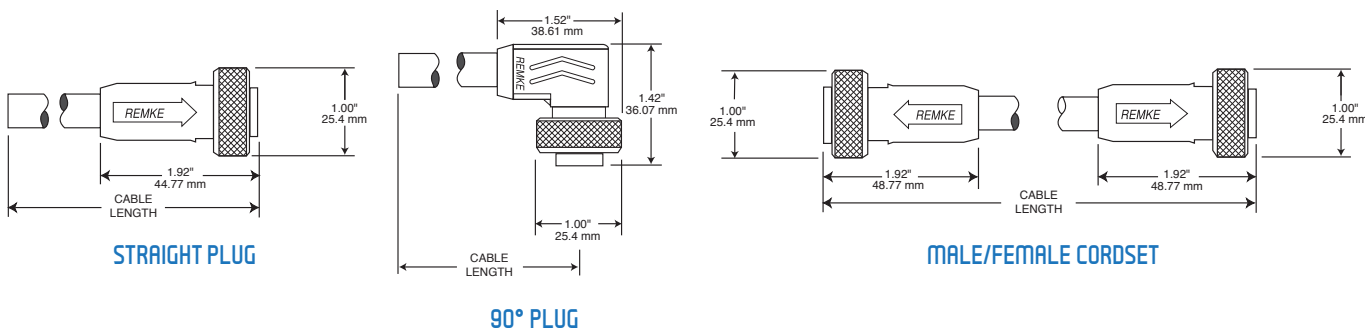


# 2 TO 6 POLE RUBBER MINI-LINK™ ASSEMBLIES

SPECIFICATIONS		ENVIRONMENTAL	
<b>MATERIALS</b>		<b>ENVIRONMENTAL</b>	
Body	Rubber	Protection	IP 67
Contact	Brass, Gold Plated over Nickel	Operating Temp	-20°C to 90°C
Sleeve	Stainless Steel	<b>CERTIFICATIONS</b>	
Coupling Nut	Machined Aluminum, Black Anodized (Stainless Steel available)		Recognized, File No. E165657
Cable	#16 AWG NBR/PVC Rubber 65 x #34 stranding 90° C, UL Recognized S00W, CSA Certified		Certified, File No. E165657
Cable Diameters	2/C-.37", 3/C-.39", 4/C-.42", 5/C-.50", 6/C-.53"	<b>OPTIONS</b>	
<b>ELECTRICAL</b>		Stainless Steel Hardware can be specified - add "1" after Part Number; to specify 18 AWG Cable, add "-18" after the Part Number. For Nylon hardware - add "N" after Part Number.	
Voltage Rating	600 V	Consult the factory for custom cord lengths, and a full range of wire management product accessories.	
Contact Resistance	≤5mΩ		

## PLUGS AND CABLE ASSEMBLIES WITH #16 AWG S00W-A CABLE

PLUG ASSEMBLY PART NUMBERS									
Number of Poles	Male Face View	Female Face View	Wiring Color Code	AMP RTG. @ 600V	Cable Length	Male Straight	Female Straight	Female 90°	Male/Female Assembly
2			1-White 2-Black	13A	3 FT	102B0030A	102A0030A	102C0030A	102G0030A
				13A	6 FT	102B0060A	102A0060A	102C0060A	102G0060A
				13A	12 FT	102B0120A	102A0120A	102C0120A	102G0120A
				13A	20 FT	102B0200A	102A0200A	102C0200A	102G0200A
3			1-Green 2-Black 3-White	13A	3 FT	103B0030A	103A0030A	103C0030A	103G0030A
				13A	6 FT	103B0060A	103A0060A	103C0060A	103G0060A
				13A	12 FT	103B0120A	103A0120A	103C0120A	103G0120A
				13A	20 FT	103B0200A	103A0200A	103C0200A	103G0200A
4			1-Black 2-White 3-Red 4-Green	10A	3 FT	104B0030A	104A0030A	104C0030A	104G0030A
				10A	6 FT	104B0060A	104A0060A	104C0060A	104G0060A
				10A	12 FT	104B0120A	104A0120A	104C0120A	104G0120A
				10A	20 FT	104B0200A	104A0200A	104C0200A	104G0200A
5			1-White 2-Red 3-Green 4-Orange 5-Black	8A	3 FT	105B0030A	105A0030A	105C0030A	105G0030A
				8A	6 FT	105B0060A	105A0060A	105C0060A	105G0060A
				8A	12 FT	105B0120A	105A0120A	105C0120A	105G0120A
				8A	20 FT	105B0200A	105A0200A	105C0200A	105G0200A
6 A-Size			1-White 2-Red 3-Green 4-Orange 5-Black 6-Blue	8A	3 FT	106AB0030A	106AA0030A	106AC0030A	106AG0030A
				8A	6 FT	106AB0060A	106AA0060A	106AC0060A	106AG0060A
				8A	12 FT	106AB0120A	106AA0120A	106AC0120A	106AG0120A
				8A	20 FT	106AB0200A	106AA0200A	106AC0200A	106AG0200A





# 6 TO 8 POLE RUBBER MINI-LINK™ ASSEMBLIES

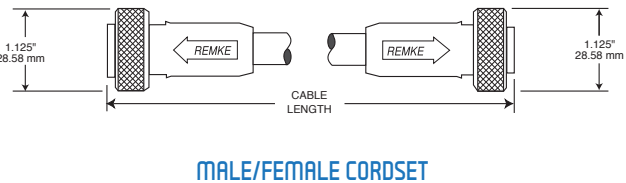
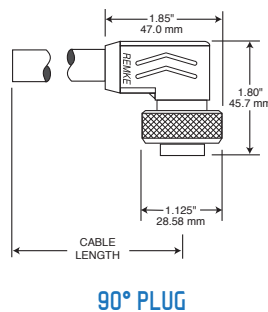
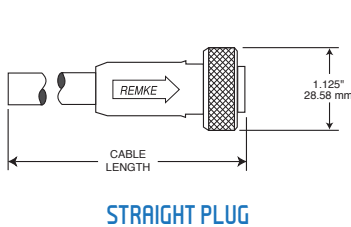
## SPECIFICATIONS

MATERIALS		ELECTRICAL	
Body	Rubber	Voltage Rating	600 V
Contact	Brass, Gold Plated over Nickel	Contact Resistance	≤5mΩ
Sleeve	Stainless Steel	<b>ENVIRONMENTAL</b>	
Coupling Nut	Machined Aluminum, Black Anodized (stainless steel available)	Protection	IP 67
Cable	#16 AWG NBR/PVC Rubber 65 x #34 stranding 90° C, UL Recognized S00W, CSA Certified	Operating Temp	-20°C to 90°C
Cable Diameters	6/C-.53", 7/C-.54", 8/C-.60"	<b>OPTIONS</b>	
		Stainless Steel Hardware can be specified - add "1" after Part Number.	
		Consult the factory for custom cord lengths, and a full range of wire management product accessories.	

## PLUGS AND CABLE ASSEMBLIES WITH #16 AWG S00W-A CABLE

### PLUG ASSEMBLY PART NUMBERS

Number of Poles	Male Face View	Female Face View	Wiring Color Code	AMP RTG. @ 600V	Cable Length	Male Straight	Female Straight	Female 90°	Male/Female Assembly
6 B-Size			1-Orange 2-Blue 3-Black 4-White 5-Red 6-Green	8A	3 FT	106BB0030A	106BA0030A	106BC0030A	106BG0030A
				8A	6 FT	106BB0060A	106BA0060A	106BC0060A	106BG0060A
				8A	12 FT	106BB0120A	106BA0120A	106BC0120A	106BG0120A
				8A	20 FT	106BB0200A	106BA0200A	106BC0200A	106BG0200A
7			1-Wht.blk. Tr. 2-Black 3-White 4-Red 5-Orange 6-Blue 7-Green	8A	3 FT	107B0030A	107A0030A	107C0030A	107G0030A
				8A	6 FT	107B0060A	107A0060A	107C0060A	107G0060A
				8A	12 FT	107B0120A	107A0120A	107C0120A	107G0120A
				8A	20 FT	107B0200A	107A0200A	107C0200A	107G0200A
8			1-Orange 2-Blue 3-Wht.blk. Tr. 4-Black 5-White 6-Red 7-Green 8-Red-Blk. Tr.	7A	3 FT	108B0030A	108A0030A	108C0030A	108G0030A
				7A	6 FT	108B0060A	108A0060A	108C0060A	108G0060A
				7A	12 FT	108B0120A	108A0120A	108C0120A	108G0120A
				7A	20 FT	108B0200A	108A0200A	108C0200A	108G0200A



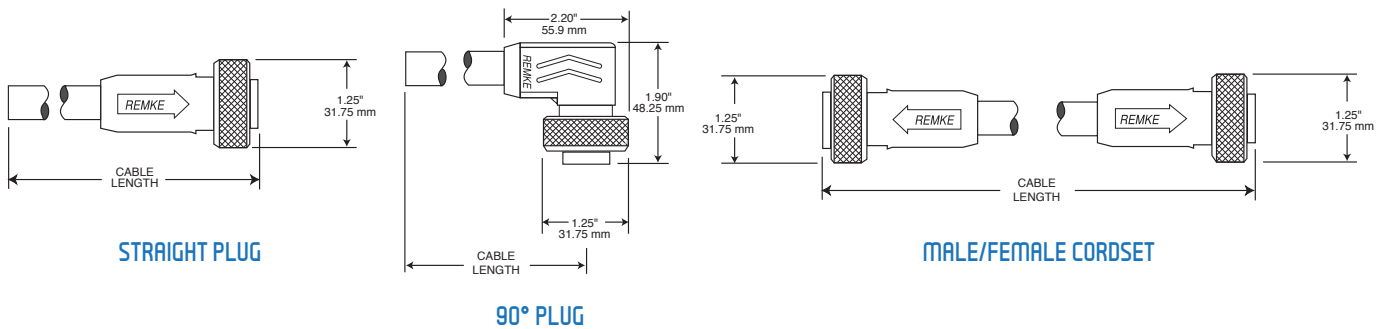


# 9 TO 12 POLE RUBBER MINI-LINK™ ASSEMBLIES

SPECIFICATIONS			
MATERIALS		ENVIRONMENTAL	
Body	Rubber	Protection	IP 67
Contact	Brass, Gold Plated over Nickel	Operating Temp	-20°C to 90°C
Sleeve	Stainless Steel	CERTIFICATIONS	
Coupling Nut	Machined Aluminum, Black Anodized (stainless steel available)		Recognized, File No. E165657
Cable	#16 AWG NBR/PVC Rubber 65 x #34 stranding 90° C, UL Recognized SOOW, CSA Certified		Certified, File No. E165657
Cable Diameters	9/C-.62", 10/C-.63", 12/C-.67"	OPTIONS	
ELECTRICAL			
Voltage Rating	600 V	Stainless Steel Hardware can be specified - add "1" after Part Number.	
Contact Resistance	≤5mΩ	Consult the factory for custom cord lengths, and a full range of wire management product accessories.	
NOTE			
Not available in #18 AWG.			

## PLUGS AND CABLE ASSEMBLIES WITH #16 AWG SOOW-A CABLE

PLUG ASSEMBLY PART NUMBERS									
Number of Poles	Male Face View	Female Face View	Wiring Color Code	AMP RTG. @ 600V	Cable Length	Male Straight	Female Straight	Female 90°	Male/Female Assembly
9			1-Orange 2-Blue 3-Red-Blk. Tr. 4-Green-Blk. Tr. 5-White 6-Red 7-Green 8-White-Blk. Tr. 9-Black	7A	3 FT	109B0030A	109A0030A	109C0030A	109G0030A
				7A	6 FT	109B0060A	109A0060A	109C0060A	109G0060A
				7A	12 FT	109B0120A	109A0120A	109C0120A	109G0120A
				7A	20 FT	109B0200A	109A0200A	109C0200A	109G0200A
10			1-Orange 2-Blue 3-White-Blk. Tr. 4-Red-Blk. Tr. 5-Green-Blk. Tr. 6-Org.-Blk. Tr. 7-Red 8-Green 9-Black 10-White	7A	3 FT	110B0030A	110A0030A	110C0030A	110G0030A
				7A	6 FT	110B0060A	110A0060A	110C0060A	110G0060A
				7A	12 FT	110B0120A	110A0120A	110C0120A	110G0120A
				7A	20 FT	110B0200A	110A0200A	110C0200A	110G0200A
12			1-Orange 2-Blue 3-Wht.blk. Tr. 4-Red-Blk. Tr. 5-Green-Blk. Tr. 6-Org.-Blk. Tr. 7-Blue.-Blk. Tr. 8-Blk.-Wht. Tr. 9-Green 10-Red 11-White 12-Black	5A	3 FT	112B0030A	112A0030A	112C0030A	112G0030A
				5A	6 FT	112B0060A	112A0060A	112C0060A	112G0060A
				5A	12 FT	112B0120A	112A0120A	112C0120A	112G0120A
				5A	20 FT	112B0200A	112A0200A	112C0200A	112G0200A



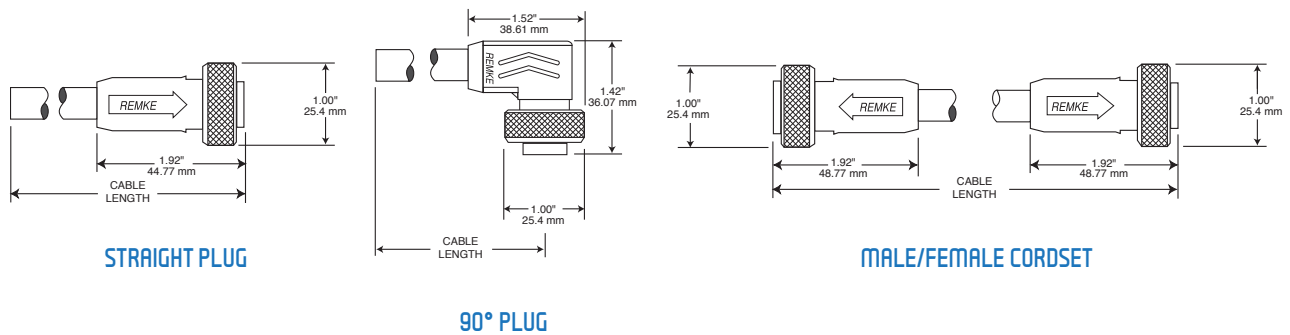


# 2 TO 5 POLE HI-TEMP SILICONE MINI-LINK™ ASSEMBLIES

SPECIFICATIONS		
MATERIALS		ELECTRICAL
Body	Silicone Rubber	Voltage Rating 600 V
Contact	Brass, Gold Plated over Nickel	Contact Resistance $\leq 5m\Omega$
Sleeve	Stainless Steel	ENVIRONMENTAL
Coupling Nut	Machined Aluminum, Black Anodized (stainless steel available)	Protection IP 67
		Operating Temp -50°C to 180°C
Cable	#16 AWG Silicone Rubber 65 x #34 stranding -50° C to 180°C, UL Recognized SOOW, CSA Certified	OPTIONS
		Stainless Steel Hardware can be specified - add "1" after Part Number.
Cable Diameters	2/C-.30", 3/C-.32", 4/C-.35", 5/C-.38"	Consult the factory for custom cord lengths, and a full range of wire management product accessories.

## PLUGS AND CABLE ASSEMBLIES WITH #16 AWG SOOW-A CABLE

PLUG ASSEMBLY PART NUMBERS									
Number of Poles	Male Face View	Female Face View	Wiring Color Code	AMP RTG. @ 600V	Cable Length	Male Straight	Female Straight	Female 90°	Male/Female Assembly
2			1-White 2-Black	13A	3 FT	102B0030AHT	102A0030AHT	102C0030AHT	102G0030AHT
				13A	6 FT	102B0060AHT	102A0060AHT	102C0060AHT	102G0060AHT
				13A	12 FT	102B0120AHT	102A0120AHT	102C0120AHT	102G0120AHT
				13A	20 FT	102B0200AHT	102A0200AHT	102C0200AHT	102G0200AHT
3			1-Green 2-Black 3-White	13A	3 FT	103B0030AHT	103A0030AHT	103C0030AHT	103G0030AHT
				13A	6 FT	103B0060AHT	103A0060AHT	103C0060AHT	103G0060AHT
				13A	12 FT	103B0120AHT	103A0120AHT	103C0120AHT	103G0120AHT
				13A	20 FT	103B0200AHT	103A0200AHT	103C0200AHT	103G0200AHT
4			1-Black 2-White 3-Red 4-Green	10A	3 FT	104B0030AHT	104A0030AHT	104C0030AHT	104G0030AHT
				10A	6 FT	104B0060AHT	104A0060AHT	104C0060AHT	104G0060AHT
				10A	12 FT	104B0120AHT	104A0120AHT	104C0120AHT	104G0120AHT
				10A	20 FT	104B0200AHT	104A0200AHT	104C0200AHT	104G0200AHT
5			1-White 2-Red 3-Green 4-Orange 5-Black	8A	3 FT	105B0030AHT	105A0030AHT	105C0030AHT	105G0030AHT
				8A	6 FT	105B0060AHT	105A0060AHT	105C0060AHT	105G0060AHT
				8A	12 FT	105B0120AHT	105A0120AHT	105C0120AHT	105G0120AHT
				8A	20 FT	105B0200AHT	105A0200AHT	105C0200AHT	105G0200AHT



CORD CONNECTORS

WIRE MESH GRIPS

PICO-LINK

MICRO-LINK

ETHERLINK

MINI-LINK

MULTI-PORT BOXES

BUS SYSTEM PRODUCTS

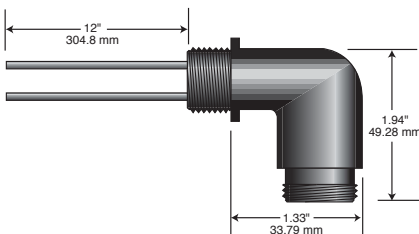


# 2 TO 6 POLE MINI-LINK™ RECEPTACLES

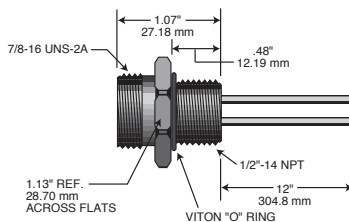
SPECIFICATIONS		ENVIRONMENTAL	
<b>MATERIALS</b>		<b>ENVIRONMENTAL</b>	
<b>Contact</b>	Brass, Gold Plated over Nickel	<b>Protection</b>	IP 67
<b>Sleeve</b>	Stainless Steel	<b>Operating Temp</b>	-20°C to 105°C
<b>Shell</b>	Machined Aluminum, Black Anodized (Stainless Steel available)	<b>CERTIFICATIONS</b>	
<b>Wire</b>	#16 AWG/600 Volts 26 x #30 Stranding		Recognized, File No. E165657
<b>"O" Ring</b>	Viton		Certified, File No. E165657
<b>Lock Nut</b>	Plated Steel (not pictured)	<b>OPTIONS</b>	
<b>ELECTRICAL</b>		Stainless Steel Hardware can be specified - add "1" after Part Number.	
<b>Voltage Rating</b>	600 V	Consult the factory for custom wire lengths, and a full range of wire management product accessories.	
<b>Contact Resistance</b>	≤5mΩ	<b>NOTES</b>	
		*-Not available in stainless steel.	
		Knock-out dimensions in Tuff-Link Technical Reference Section.	

## RECEPTACLES WITH 12" PIGTAIL LEADS

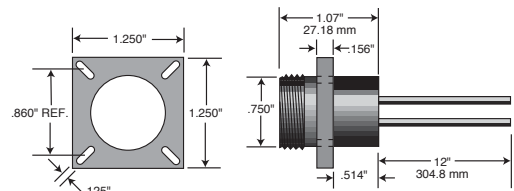
PLUG ASSEMBLY PART NUMBERS										
Number of Poles	Amps	Male Face View	Female Face View	Wiring Color Code	Male Straight	Male 90 Degree*	Male Flange Mt.*	Female Straight	Female 90 Degree*	Female Flange Mt.*
2	13			1-White 2-Black	102P0010M	102U0010M	102PF0010M	102Q0010M	102V0010M	102QF0010M
3	13			1-Green 2-Black 3-White	103P0010M	103U0010M	103PF0010M	103Q0010M	103V0010M	103QF0010M
4	10			1-Black 2-White 3-Red 4-Green	104P0010M	104U0010M	104PF0010M	104Q0010M	104V0010M	104QF0010M
5	8			1-White 2-Red 3-Green 4-Orange 5-Black	105P0010M	105U0010M	105PF0010M	105Q0010M	105V0010M	105QF0010M
6 A-Size	8			1-White 2-Red 3-Green 4-Orange 5-Black 6-Blue	106AP0010M	106AU0010M	106APF0010M	106AQ0010M	106AV0010M	106AQF0010M



90° RECEPTACLE



RECEPTACLE



RECEPTACLE WITH FLANGE



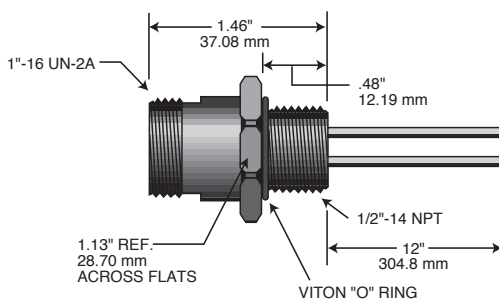


# 6 TO 8 POLE MINI-LINK™ RECEPTACLES

SPECIFICATIONS		ENVIRONMENTAL	
<b>MATERIALS</b>		<b>ENVIRONMENTAL</b>	
Contact	Brass, Gold Plated over Nickel	Protection	IP 67
Sleeve	Stainless Steel	Operating Temp	-20°C to 105°C
Shell	Machined Aluminum, Black Anodized (stainless steel available)	<b>CERTIFICATIONS</b>	
Wire	#16 AWG/600 Volts 26 x #30 Stranding		Recognized, File No. E165657
"O" Ring	Viton		Certified, File No. E165657
Lock Nut	Plated Steel (not pictured)	<b>OPTIONS</b>	
<b>ELECTRICAL</b>		Stainless Steel Hardware can be specified - add "1" after Part Number.	
Voltage Rating	600 V	Consult the factory for custom wire lengths, and a full range of wire management product accessories.	
Contact Resistance	≤5mΩ	<b>NOTE</b>	
		Knock-out dimensions in Tuff-Link Technical Reference Section.	

## RECEPTACLES WITH 12" PIGTAIL LEADS

PLUG ASSEMBLY PART NUMBERS						
Number of Poles	Amps	Male Face View	Female Face View	Wiring Color Code	Male Straight	Female Straight
6 B Size	8			1-Orange 2-Blue 3-Black 4-White 5-Red 6-Green	106BP0010M	106BQ0010M
7				1-Wht. Blk. Tr. 2-Black 3-White 4-Red 5-Orange 6-Blue 7-Green	107P0010M	107Q0010M
8	7			1-Orange 2-Blue 3-Wht.-Blk. Tr. 4-Black 5-White 6-Red 7-Green 8-Red-Blk. Tr.	108P0010M	108Q0010M



RECEPTACLE

CORD CONNECTORS

WIRE MESH GRIPS

PICO-LINK

MICRO-LINK

ETHERLINK

MINI-LINK

MULTI-PORT BOXES

BUS SYSTEM PRODUCTS



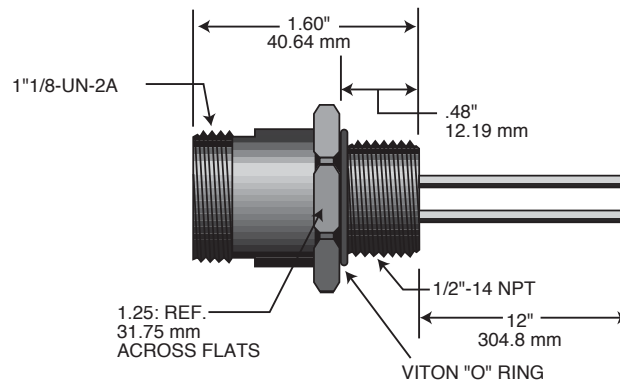


# 9 TO 12 POLE MINI-LINK™ RECEPTACLES

SPECIFICATIONS	
<b>MATERIALS</b>	
Contact	Brass, Gold Plated over Nickel
Sleeve	Stainless Steel
Shell	Machined Aluminum, Black Anodized (stainless steel available)
Wire	#16 AWG/600 Volts 26 x #30 Stranding
"O" Ring	Viton
Lock Nut	Plated Steel (not pictured)
<b>ELECTRICAL</b>	
Voltage Rating	600 V
Contact Resistance	≤5mΩ
<b>ENVIRONMENTAL</b>	
Protection	IP 67
Operating Temp	-20°C to 105°C
<b>CERTIFICATIONS</b>	
	Recognized, File No. E165657
	Certified, File No. E165657
<b>OPTIONS</b>	
Stainless Steel Hardware can be specified - add "1" after Part Number.	
Consult the factory for custom wire lengths, and a full range of wire management product accessories.	
<b>NOTES</b>	
*-Not available in stainless steel.	
Knock-out dimensions in Tuff-Link Technical Reference Section.	

## RECEPTACLES WITH 12" PIGTAIL LEADS

PLUG ASSEMBLY PART NUMBERS							
Number of Poles	Amps	Male Face View	Female Face View	Wiring Color Code		Male Straight	Female Straight
9	7			1-Orange 2-Blue 3-Red-Blk. Tr. 4-Green-Blk. Tr. 5-White	6-Red 7-Green 8-White-Blk. Tr. 9-Black	109P0010M	109Q0010M
10	7			1-Orange 2-Blue 3-White-Blk. Tr. 4-Red-Blk. Tr. 5-Green-Blk. Tr.	6-Org.-Blk. Tr. 7-Red 8-Green 9-Black 10-White	110P0010M	110Q0010M
12	5			1-Orange 2-Blue 3-Wht.blk. Tr. 4-Red-Blk. Tr. 5-Green-Blk. Tr. 6-Org.-Blk. Tr.	7-Blue.-Blk. Tr. 8-Blk.-Wht. Tr. 9-Green 10-Red 11-White 12-Black	112P0010M	112Q0010M



RECEPTACLE

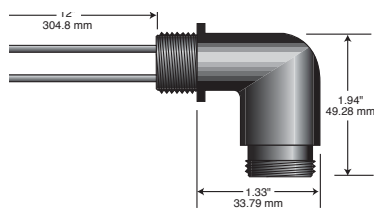


# 2 TO 5 POLE HI-TEMP SILICONE MINI-LINK™ RECEPTACLES

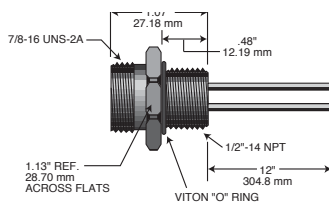
SPECIFICATIONS		ENVIRONMENTAL	
<b>MATERIALS</b>		<b>ENVIRONMENTAL</b>	
Contact	Brass, Gold Plated over Nickel	Protection	IP 67
Sleeve	Stainless Steel	Operating Temp	-50°C to 180°C
Shell	Machined Aluminum, Black Anodized (stainless steel available)		
<b>ELECTRICAL</b>		<b>OPTIONS</b>	
Wire	#16 AWG/600 Volts 26 x #30 Stranding TFE	Stainless Steel Hardware can be specified - add "1" after Part Number.	
"O" Ring	Viton	Consult the factory for custom wire lengths, and a full range of wire management product accessories.	
Lock Nut	Plated Steel (not pictured)	<b>NOTES</b>	
Voltage Rating	600 V	*-Not available in stainless steel.	
Contact Resistance	≤5mΩ	Knock-out dimensions in Tuff-Link Technical Reference Section. See page 186.	

## RECEPTACLES WITH 12" PIGTAIL LEADS

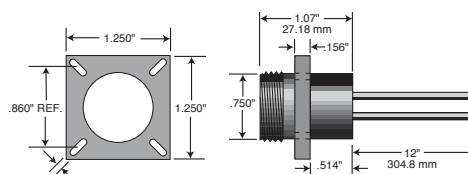
PLUG ASSEMBLY PART NUMBERS											
Number of Poles	Amps	Male Face View	Female Face View	Wiring Color Code	Male Straight	Male 90 Degree*	Male Flange Mt.*	Female Straight	Female 90 Degree*	Female Flange Mt.*	
2	13			1-White 2-Black	102P0010MHT	102U0010MHT	102PF0010MHT	102Q0010MHT	102V0010MHT	102QF0010MHT	
3	13			1-Green 2-Black 3-White	103P0010MHT	103U0010MHT	103PF0010MHT	103Q0010MHT	103V0010MHT	103QF0010MHT	
4	10			1-Black 2-White 3-Red 4-Green	104P0010MHT	104U0010MHT	104PF0010MHT	104Q0010MHT	104V0010MHT	104QF0010MHT	
5	8			1-White 2-Red 3-Green 4-Orange 5-Black	105P0010MHT	105U0010MHT	105PF0010MHT	105Q0010MHT	105V0010MHT	105QF0010MHT	



90° RECEPTACLE



RECEPTACLE



RECEPTACLE WITH FLANGE

CORD CONNECTORS

WIRE MESH GRIPS

PICO-LINK

MICRO-LINK

ETHERLINK

MINI-LINK

MULTI-PORT BOXES

BUS SYSTEM PRODUCTS



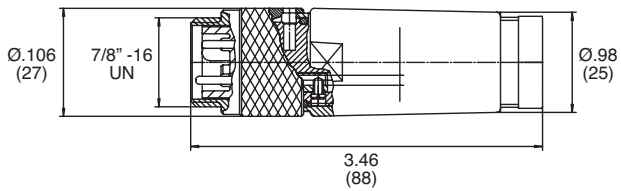
# MINI ATTACHABLES

SPECIFICATIONS			
MATERIALS		ELECTRICAL	
Body	Nylon	Voltage Rating	250 V
Contact Carrier	PUR	Current	3 pole - 12 amps, 4 & 5 pole - 9 amps
Contact	Brass, Gold over Nickel Plating	ENVIRONMENTAL	
Coupling Nut	Aluminum, Anodized Black	Protection	IP 67 (only in fully locked position)
Cable Outlets	PG9 - 6 to 8mm, PG11 - 8 to 10mm, PG16 - 12 to 14mm	Operating Temp	-20°C to 90°C

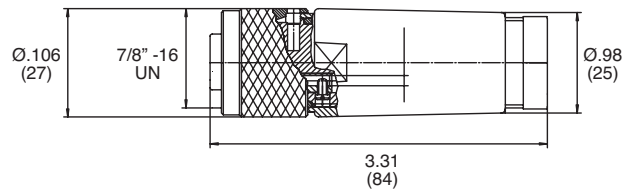
NOTE: Setscrew Style Terminals

## CONNECTOR PART NUMBERS

Number of Poles	Male Face View	Female Face View	Cable Entry	Male Straight	Female Straight
3			PG9	103EFW9	103AFW9
			PG11	103EFW11	103AFW11
4			PG9	104EFW9	104AFW9
5			PG9	105EFW9	105AFW9
			PG11	105EFW11	105AFW11
			PG16	105EFW16	105AFW16



MALE STRAIGHT



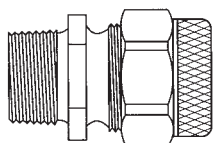
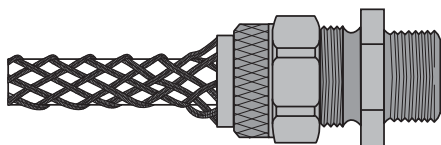
FEMALE STRAIGHT



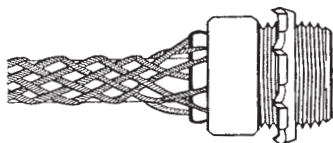
# MINI-LINK™ AND WIRE MANAGEMENT ACCESSORIES

## STRAIN RELIEF CORD GRIPS

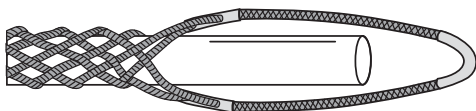
Available in standard sizes (1/4" through 3"), Remke Cord Grips are produced in aluminum, nylon, steel and stainless steel to provide maximum sealing and support for cord terminations. Custom designs are available, including designs with metric threads and other special features. Inquire of your Remke Representative or Distributor.



CORD GRIPS



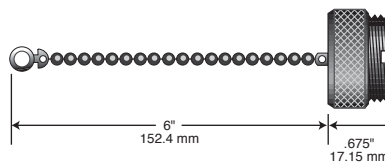
WIDE RANGE GRIPS



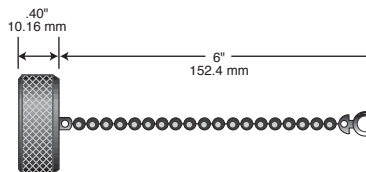
BUS DROP GRIPS

## CLOSURE CAPS FOR PLUGS AND RECEPTACLES

Plug & Receptacle with Internal Threads



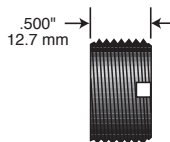
Receptacle with External Threads



Number of Poles	Plugs	Receptacles
2, 3, 4, 5 OR 6 (A-SIZE)	75-0085	75-0086
6 TO 8 (B-SIZE)	75-0102	75-0103
9, 10, OR 12 (C-SIZE)	75-0104	75-0105

Also available in stainless steel

## ADAPTER FOR JOINING TWO CABLE ASSEMBLIES



Number of Poles	Part Number
2 TO 6 (A-SIZE)	56-0426
6 TO 8 (B-SIZE)	56-0466
9 TO 12 (C-SIZE)	56-0496

Also available in stainless steel

CORD CONNECTORS

WIRE MESH GRIPS

PICO-LINK

MICRO-LINK

ETHERLINK

MINI-LINK

MULTI-PORT BOXES

BUS SYSTEM PRODUCTS







# MICRO-PORT™ AND MINI-PORT™ DISTRIBUTION BOXES



## MICRO-PORT AND MINI-PORT DISTRIBUTION BOXES

Remke's Micro-Port and Mini-Port Distribution Boxes consolidate up to 12 connections into a single base unit. Using these boxes means you can change components in seconds and conserve space by utilizing a single cable connection to your control system instead of up to eight separate cables.

Micro-Port Distribution Boxes feature:

- Parallel wiring
- Standard gold-plated contacts for enhanced connectivity
- PVC, PUR or rubber cables to meet various environmental needs
- 4, 6 or 8 outlets in either 3 or 4 pole, single or dual keyway configurations

Mini-Port Distribution Boxes feature:

- Parallel wiring or optional Series wiring
- Standard gold-plated contacts for enhanced connectivity
- PVC, PUR or rubber cables to meet various environmental needs
- 4, 6 or 8 outlets in a 3 pole configuration

All Remke distribution boxes are designed to eliminate the need for knockouts and terminal strips so that wiring errors won't occur – saving you both time and money during installation and maintenance.

## TYPICAL APPLICATIONS USING MINI-PORT OR MICRO-PORT DISTRIBUTION BOXES

- Automotive assembly
- Robotics
- Packaging machinery
- Conveyors
- Material handling equipment
- Automated machinery

## PRODUCTS THAT TYPICALLY USE MINI-PORT OR MICRO-PORT DISTRIBUTION BOXES

- 8mm, 12mm or 18mm
- proximity sensors
- limit switches
- solenoids
- miniature controls

CORD CONNECTORS

WIRE MESH GRIPS

PICO-LINK

MICRO-LINK

ETHERLINK

MINI-LINK

MULTI-PORT BOXES

BUS SYSTEM PRODUCTS



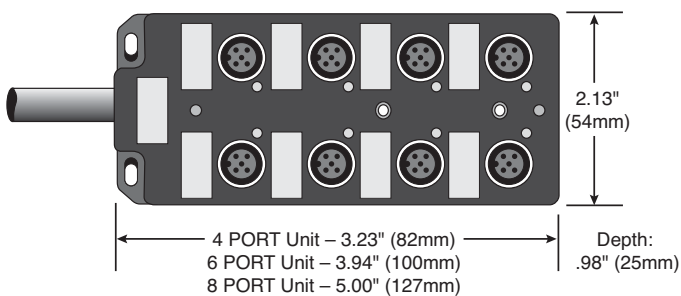


# 4, 6 AND 8 OUTLET MICRO-LINK™ SINGLE KEY (M12) DISTRIBUTION BOXES

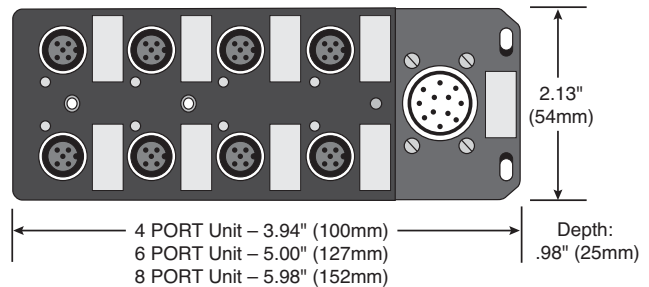
SPECIFICATIONS	
MATERIALS	
Contact Carrier	Nylon
Contacts	Brass, Gold Plated over Nickel
O-Ring	Viton
Shell	Brass, Nickel Plated
Housing	Nylon
Label Materials	Nylon
ELECTRICAL	
Voltage Rating	10 to 30 VDC
Contact Resistance	≤5mΩ
Current	4 amps per Outlet/12 amps per Unit
ENVIRONMENTAL	
Protection	IP65
Operating Temp	-20°C to +80°C
CERTIFICATIONS	
Pending	
NOTE	
Consult factory for special configurations	

## DISTRIBUTION BOX PART NUMBERS

Number of Outlets	Feed Connector Pinout (Face View, Male)	Color Code/Function	Description	Box Number
4		1 = White 2 = Green 3 = Yellow 4 = Grey 9 = Blue (-) 11 = Brown (+) 12 = Green/Yellow (PE)	4 Pole Parallel Wired With Connector Feed	3400014
			4 Pole Parallel Wired With Cable Feed (5M)	3400010
			4 Pole Parallel Wired With Cable Feed (10M)	3400012
6		1 = White 2 = Green 3 = Yellow 4 = Grey 5 = Pink 6 = Red 9 = Blue (-) 11 = Brown (+) 12 = Green/Yellow (PE)	4 Pole Parallel Wired With Connector Feed	3400020
			4 Pole Parallel Wired With Cable Feed (5M)	3400016
			4 Pole Parallel Wired With Cable Feed (10M)	3400018
8		1 = White 2 = Green 3 = Yellow 4 = Grey 5 = Pink 6 = Red 7 = Black 8 = Violet 9 = Blue (-) 10 = Blue (-) 11 = Brown (+) 12 = Green/Yellow (PE)	4 Pole Parallel Wired With Connector Feed	3400026
			4 Pole Parallel Wired With Cable Feed (5M)	3400022
			4 Pole Parallel Wired With Cable Feed (10M)	3400024

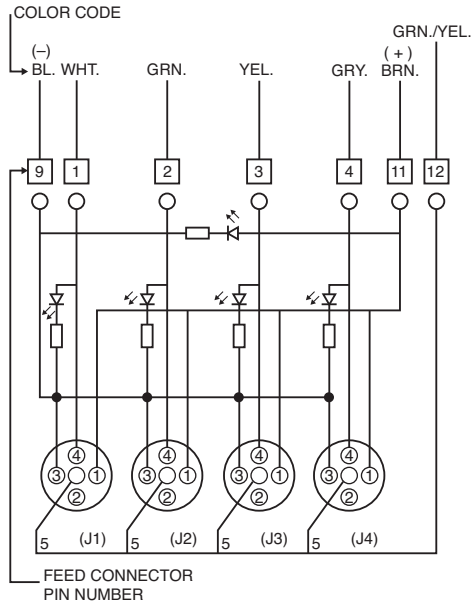


CABLE FEED

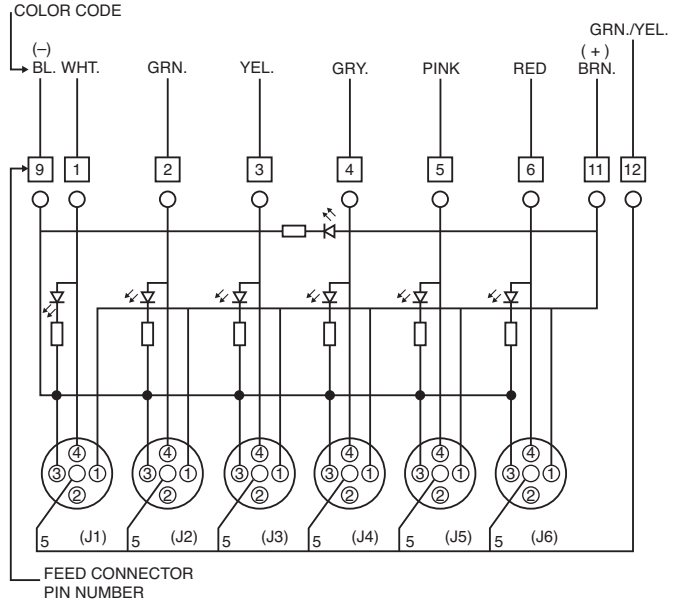


CONNECTOR FEED

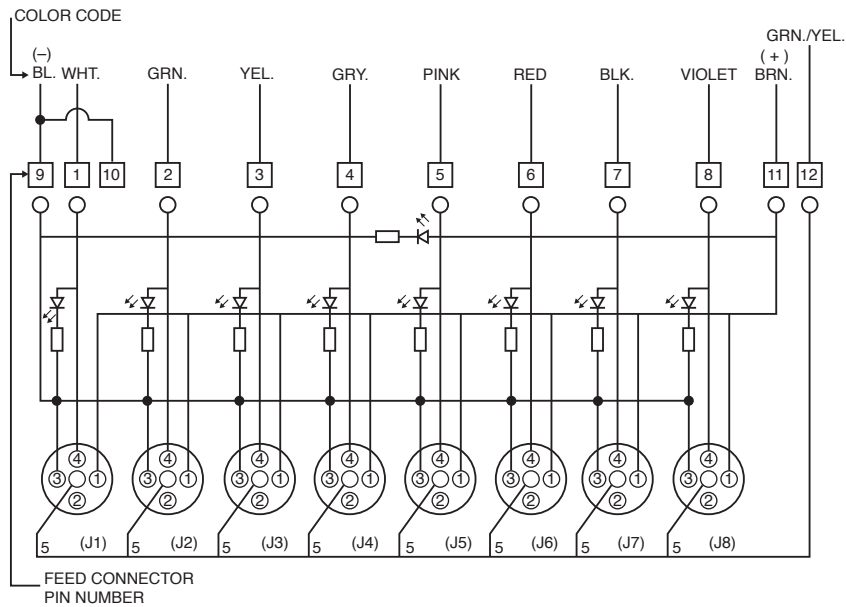




4 OUTLET WIRING SCHEMATIC



6 OUTLET WIRING SCHEMATIC



8 OUTLET WIRING SCHEMATIC

CORD CONNECTORS

WIRE MESH GRIPS

PICO-LINK

MICRO-LINK

ETHERLINK

MINI-LINK

MULTI-PORT BOXES

BUS SYSTEM PRODUCTS





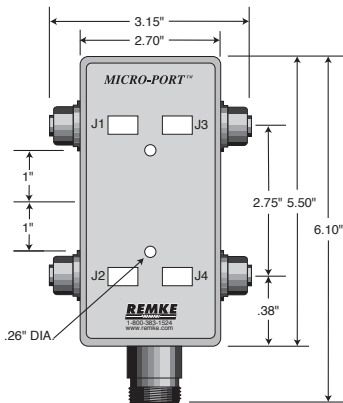
# 4, 6 AND 8 OUTLET MICRO-LINK™ DUAL KEY DISTRIBUTION BOXES

## SPECIFICATIONS

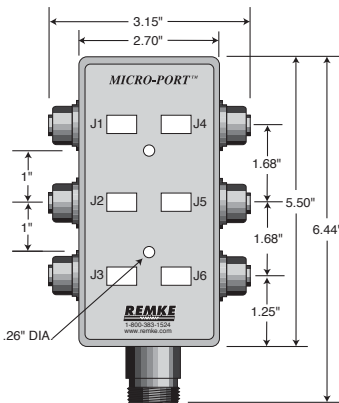
MATERIALS		ENVIRONMENTAL	
Contact Carrier	Nylon	Protection	IP68
Contacts	Brass, Gold Plated over Nickel	Operating Temp	-50°C to 90°C (UL), -34°C to 90°C (cRU)
O-Ring	Nitrile Rubber	CERTIFICATIONS	
Port Shell	Anodized Aluminum	Pending	
Housing	Polyester	NOTES	
Label Materials	Polyester	Box height for all sizes - 1.37" / 34.80mm	
ELECTRICAL		Consult factory for special configurations.	
Voltage Rating	250 VAC/ 300 VDC		
Contact Resistance	≤5mΩ		
Current	5 amps per Outlet/7 amps per Unit		

## DISTRIBUTION BOX PART NUMBERS

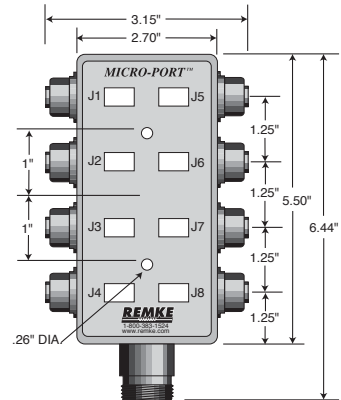
Number of Outlets	Feed Connector Pinout (Face View, Male)	Color Code/Function	Description	Box Number	
4		1 = White / Common (L1) 2 = Red / LOAD J1 (L2) 3 = Green Ground 4 = Orange / LOAD J2 (L2) 5 = Black / LOAD J3 (L2) 6 = Blue / LOAD J4 (L2)	3 Pole Parallel Wired with Connector Feed	3400040	
			3 Pole Parallel Wired with Cable Feed (5M)	3400043	
			3 Pole Parallel Wired with Cable Feed (10M)	3400044	
6		1 = Orange / LOAD J2 (L2) 2 = Blue / LOAD J4 (L2) 3 = Wht. / Blk. Tr. / LOAD J5 (L2) 4 = Black / LOAD J3 (L2) 5 = White / Common (L1) 6 = Red / LOAD J1 (L2)	7 = Green / Ground 8 = Red/Blk. Tr. / LOAD J6 (L2)	3 Pole Parallel Wired with Connector Feed	3400041
			3 Pole Parallel Wired with Cable Feed (5M)	3400045	
			3 Pole Parallel Wired with Cable Feed (10M)	3400046	
8		1 = Orange / LOAD J2 (L2) 2 = Blue / LOAD J4 (L2) 3 = Wht./Blk. Tr. / LOAD J5 (L2) 4 = Red/Blk. Tr./LOAD J6 (L2) 5 = Green/Blk. Tr./LOAD J7 (L2) 6 = Orange/Blk. Tr./LOAD J8 (L2)	7 = Red/LOAD J1 (L2) 8 = Green/Ground 9 = Black/LOAD J3 (L2) 10 = White/Common (L1)	3 Pole Parallel Wired with Connector Feed	3400042
			3 Pole Parallel Wired with Cable Feed (5M)	3400047	
			3 Pole Parallel Wired with Cable Feed (10M)	3400048	



4 OUTLET



6 OUTLET

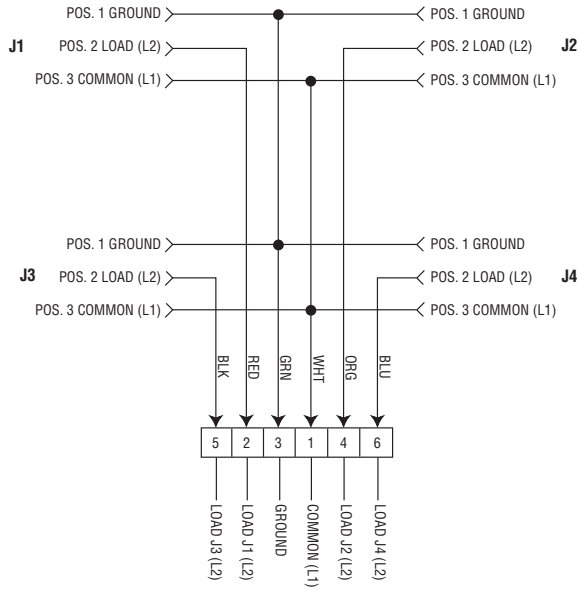


8 OUTLET

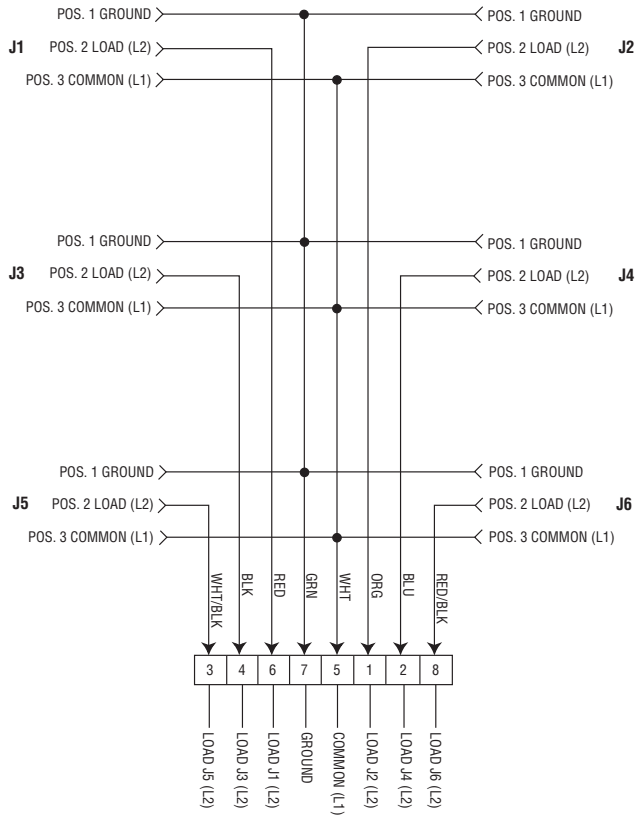
**NOTE**

Connector Feed Shown

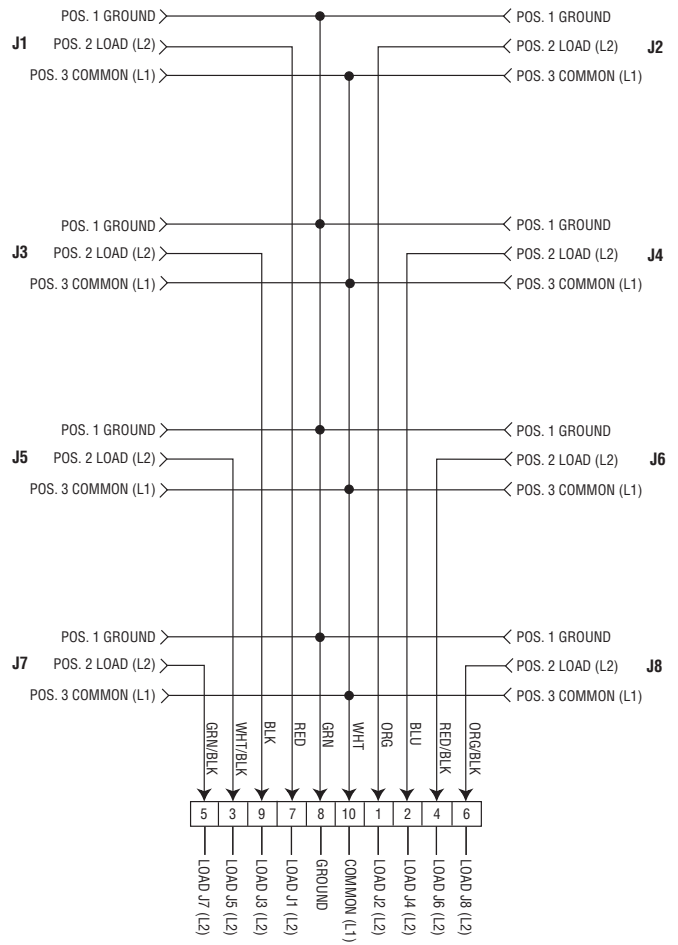
# SCHEMATICS



4 OUTLET WIRING SCHEMATIC



6 OUTLET WIRING SCHEMATIC



8 OUTLET WIRING SCHEMATIC

CORD CONNECTORS

WIRE MESH GRIPS

PICO-LINK

MICRO-LINK

ETHERLINK

MINI-LINK

MULTI-PORT BOXES

BUS SYSTEM PRODUCTS



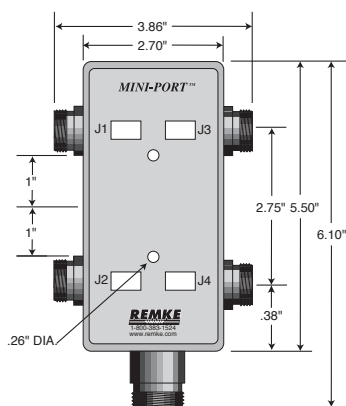


# 4, 6 AND 8 OUTLET MINI-LINK™ DISTRIBUTION BOXES

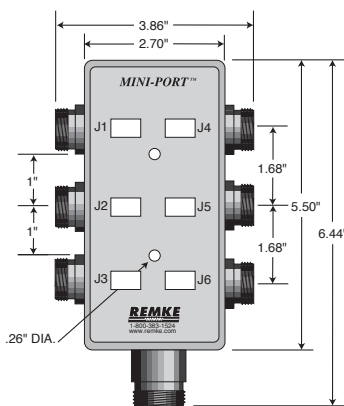
SPECIFICATIONS	
MATERIALS	
Contact Carrier	PVC
Contacts	Brass, Gold Plated over Nickel
Sleeve	Stainless Steel
Port Shell	Anodized Aluminum
Housing	Polyester
Label Materials	Polyester
ELECTRICAL	
Voltage Rating	600 V
Current	7 amps per Unit
Contact Resistance	≤5mΩ
ENVIRONMENTAL	
Protection	IP68
Operating Temp	-20°C to 105°C
CERTIFICATIONS	
Pending	
NOTES	
Box height for all sizes - 1.37" / 34.80mm	
Consult factory for special configurations.	

## DISTRIBUTION BOX PART NUMBERS

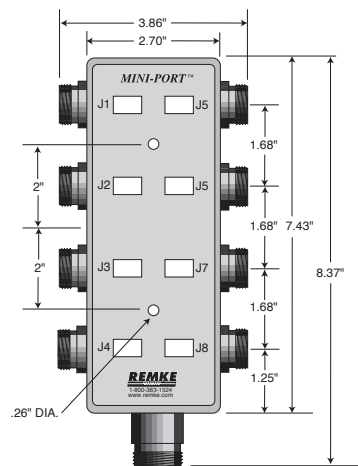
Number of Outlets	Feed Connector Pinout	Color Code/Function	Description	Box Number
4		1 = White / Common (L1) 2 = Red / LOAD J1 (L2) 3 = Green Ground 4 = Orange / LOAD J2 (L2) 5 = Black / LOAD J3 (L2) 6 = Blue / LOAD J4 (L2)	3 Pole Parallel Wired with Connector Feed	3400001
			3 Pole Parallel Wired with Cable Feed (5M)	3400004
			3 Pole Parallel Wired with Cable Feed (10M)	3400005
6		1 = Orange / LOAD J2 (L2) 2 = Blue / LOAD J4 (L2) 3 = Wht./Bik. Tr. / LOAD J5 (L2) 4 = Black / LOAD J3 (L2) 5 = White / Common (L1) 6 = Red / LOAD J1 (L2) 7 = Green / Ground 8 = Red/Bik. Tr. / LOAD J6 (L2)	3 Pole Parallel Wired with Connector Feed	3400002
			3 Pole Parallel Wired with Cable Feed (5M)	3400006
			3 Pole Parallel Wired with Cable Feed (10M)	3400007
8		1 = Orange / LOAD J2 (L2) 2 = Blue / LOAD J4 (L2) 3 = Wht./Bik. Tr. / LOAD J5 (L2) 4 = Red/Bik. Tr./LOAD J6 (L2) 5 = Green/Bik. Tr./LOAD J7 (L2) 6 = Orange/Bik. Tr./LOAD J8 (L2) 7 = Red/LOAD J1 (L2) 8 = Green/Ground 9 = Black/LOAD J3 (L2) 10 = White/Common (L1)	3 Pole Parallel Wired with Connector Feed	3400003
			3 Pole Parallel Wired with Cable Feed (5M)	3400008
			3 Pole Parallel Wired with Cable Feed (10M)	3400009



4 OUTLET



6 OUTLET

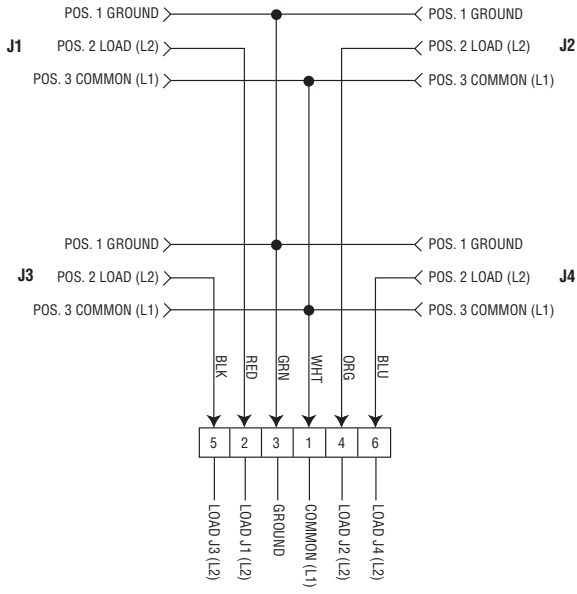


8 OUTLET

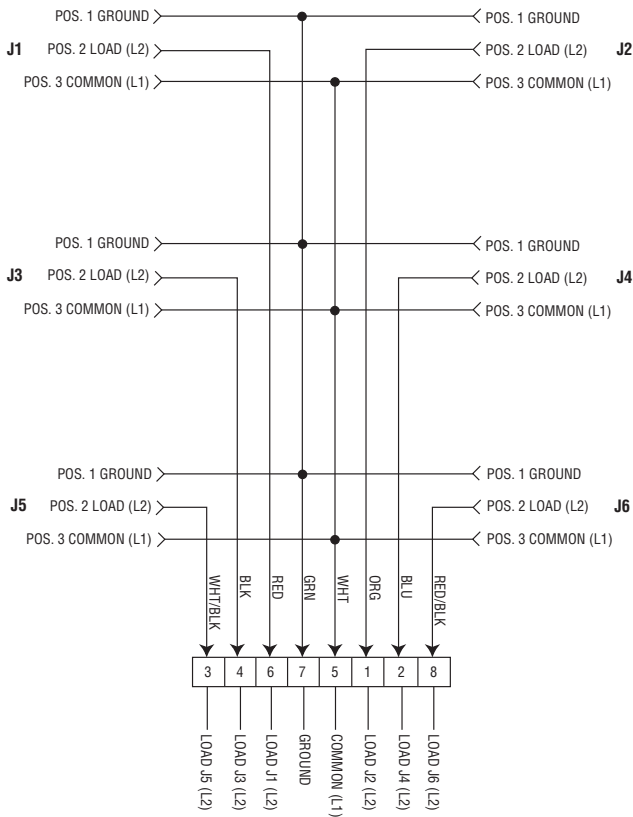
**NOTE**

Connector Feed Shown

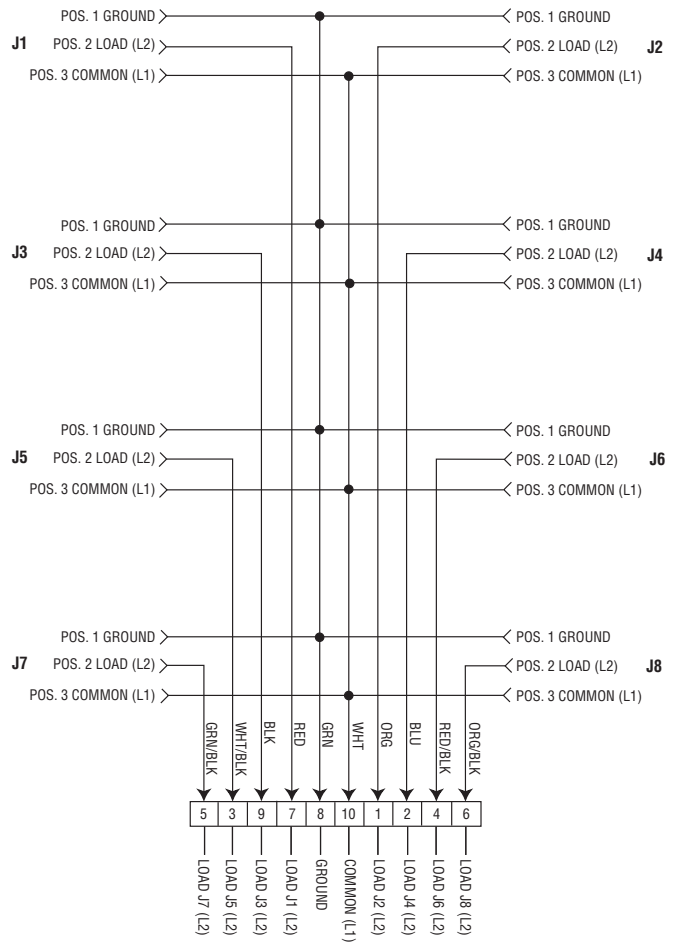
# SCHEMATICS



4 OUTLET WIRING SCHEMATIC



6 OUTLET WIRING SCHEMATIC



8 OUTLET WIRING SCHEMATIC

CORD CONNECTORS

WIRE MESH GRIPS

PICO-LINK

MICRO-LINK

ETHERLINK

MINI-LINK

MULTI-PORT BOXES

BUS SYSTEM PRODUCTS





# TUFF-LINK™ BUS SYSTEM CONNECTOR PRODUCTS



## TUFF-LINK™ BUS SYSTEM CONNECTOR PRODUCTS

Developed to meet DeviceNet™ and other CAN network architecture, the Tuff-Link family of Bus System Connector Products are designed for harsh industrial environments including IP68 conditions. The product line includes connectors, cable assemblies, receptacles, molded tees, terminators and several types of multi-port junction boxes all of which meet NEMA, IEC, UL & CSA standards.

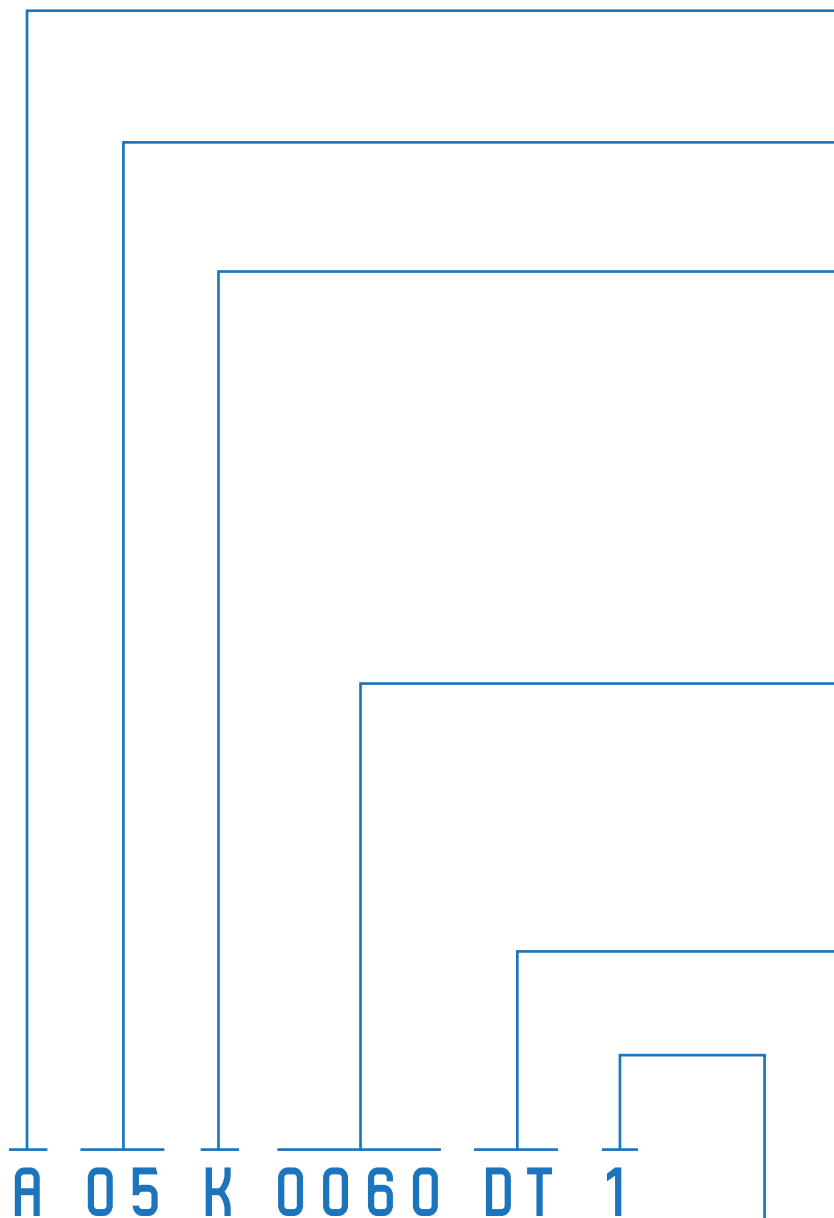
## THE FAMILY OF BUS SYSTEM CONNECTOR PRODUCTS INCLUDES:

- Both Mini-Link™ and Micro-Link™ 5-pole connectors which are available as either single or double-ended cable assemblies in a variety of male/female and straight/90° configurations with optional stainless steel couplers
- Mating male or female panel mount receptacles for any cable assembly configuration.
  - These receptacles feature both an O-Ring and locknut to create the tightest seal possible – which are features that most other connector manufacturers offer only as an option.
- Mini-Port and Micro-Port Bus Box in two styles:  
Passive feed-thru and passive drop
  - Passive feed-thru boxes are ideal for applications where the trunk line of the bus network is adjacent to machines since this style box takes the place of a molded tee.
    - Both the Mini and Micro versions of the passive feed-thru box are available with 4 or 6 ports.
  - Passive drop boxes are available with 4, 6 or 8 ports in both the Mini and Micro sizes.

The Tuff-Link Bus System product family also includes tees and terminators molded from durable PVC with optional stainless steel couplers.



# MINI-TYPE™ BUS SYSTEM PRODUCT ORDERING INFORMATION



Use this example for help when ordering.

BUS TYPE
A = DeviceNet™
C = SDS™ * (Smart Distributed Systems)
E = Seriplex™ *
Note: * = Consult factory.

NUMBER OF POLES
05 = 5 Pole

CONNECTOR STYLE
A = Female Straight
C = Female 90 Degree
E = Male Straight
F = Male 90 Degree
K = M/F Ext. (Straight/Straight)
L = M/F Ext. (Straight/90°)
M = M/F Ext. (90°/Straight)
N = M/F Ext. (90°/90°)
AK = Female Receptacle
AL = Male Receptacle
FL = Female Receptacle (Leads Only)
ML = Male Receptacle (Leads Only)

ASSEMBLY LENGTH (FT.)
1st Digit is 100 x length
2nd Digit is 10 x length
3rd Digit is 1 length
4th Digit is .1 x length
T = Terminator (A or E Connector Style only)

CABLE CODE
DD = DeviceNet Drop (Thin)
DT = DeviceNet Trunk (Thick)
MD = SDS Drop*
MT = SDS Trunk*
SD = Seriplex Drop*
ST = Seriplex Trunk*
Note: * = Consult factory.

OPTIONS
1 = Stainless Steel
2 = Nickel Plated Brass
N = Non-metallic
Blank = Std. Aluminum

CORD CONNECTORS

WIRE MESH GRIPS

PICO-LINK

MICRO-LINK

ETHERLINK

MINI-LINK

MULTI-PORT BOXES

BUS SYSTEM PRODUCTS





# DEVICENET™ BULK CABLE (PHYSICAL MEDIA)

## SPECIFICATIONS

### OVERALL CONSTRUCTION

Voltage	300V, 80°C
Jacket	Grey Oil Resistant PVC
Conductor Insulation	Polyethylene
Shield	3 Shields, Aluminum Polyester Foil, 100% Coverage and Outer Braid Shield, 65% Coverage

### POWER PAIR

Insulation	Polyethylene 80°C
Stranding	2 / #15 AWG (19 x #27)
DC Resistance	3.6 Ohms/1000 Ft.
Current	8A
Color Code	Black, Red

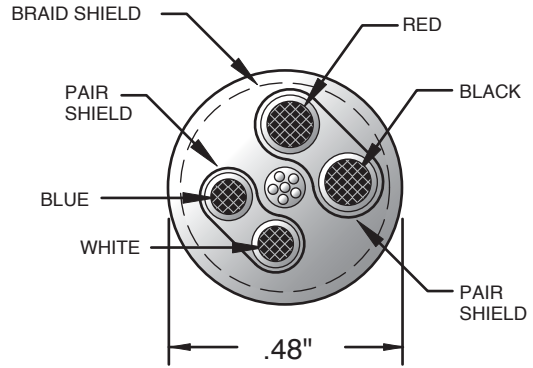
### DATA PAIR

Insulation	Polyethylene 80°C
Stranding	2 / #18 AWG (19 x #30)
DC Resistance	6.9 Ohms/1000 Ft.
Capacitance	12 PF/FT.
Color Code	Blue, White

### APPROVALS

UL	AWM 20201
CSA	AWM 1/11 A/B
ODVA	Meets or Exceeds

## TRUNK (THICK) CABLE



DESCRIPTION	CATALOG NUMBER
500 FT. / SPOOL	A055000DT

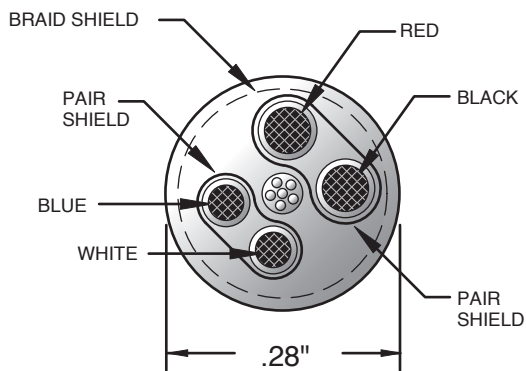




# DEVICENET™ BULK CABLE (PHYSICAL MEDIA)

SPECIFICATIONS	
<b>OVERALL CONSTRUCTION</b>	
Voltage	300V, 80°C
Jacket	Grey Oil Resistant PVC
Conductor Insulation	Polyethylene
Shield	3 Shields, Aluminum Polyester Foil, 100% Coverage and Outer Braid Shield, 65% Coverage
<b>POWER PAIR</b>	
Insulation	Polyethylene 80°C
Stranding	2 / #22 AWG (19 x #34)
DC Resistance	17.5 Ohms/1000 Ft.
Current	4A
Color Code	Black, Red
<b>DATA PAIR</b>	
Insulation	Polyethylene 80°C
Stranding	2 / #24 AWG (19 x #36)
DC Resistance	27.7 Ohms/1000 Ft.
Capacitance	12 PF/FT.
Color Code	Blue, White
<b>APPROVALS</b>	
UL	AWM 20201
CSA	AWM 1/11 A/B
ODVA	Meets or Exceeds

## DROP (THIN) CABLE



DESCRIPTION	CATALOG NUMBER
500 FT. / SPOOL	B055000DD

CORD CONNECTORS

WIRE MESH GRIPS

PICO-LINK

MICRO-LINK

ETHERLINK

MINI-LINK

MULTI-PORT BOXES

BUS SYSTEM PRODUCTS





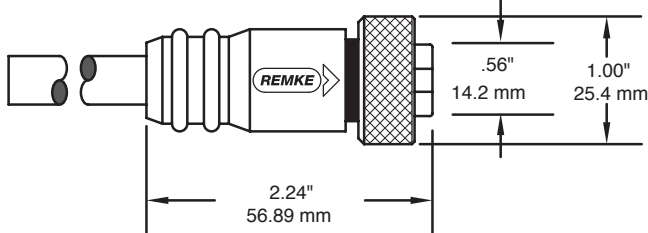
# DEVICENET™ SINGLE-ENDED CABLE ASSEMBLIES

SPECIFICATIONS			
<b>MATERIALS</b>		<b>ENVIRONMENTAL</b>	
Body	PVC (Yellow)	Protection	IP68
Contact Sleeve	Stainless Steel	Operating Temp	-20 to 80°C
Contact	Brass, Gold Plated over Nickel	<b>CERTIFICATIONS</b>	
Coupling Nut	Machined Aluminum, Black Anodized	Pending	
Cable	DeviceNet PVC Jacketed/Shielded 80°C See Bulk Cable Page 166	<b>OPTIONS</b>	
Cable Diameter	5/C - .48"	Stainless Steel Couplers	
<b>ELECTRICAL</b>		Non-metallic Couplers	
Voltage	300V	<b>NOTES</b>	
Current	See Bulk Cable Page 166	See ordering nomenclature for different lengths/options	
		Standard color is gray but other colors available. Connector bodies are yellow.	

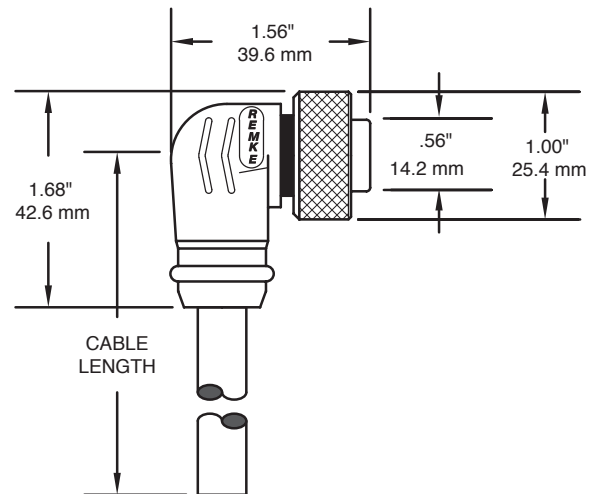
## TRUNK (THICK) MINI-TYPE

### CABLE ASSEMBLY PART NUMBERS

Male Face View	Female Face View	Wiring Color Code	Cable Length	Male Straight Plug	Male 90° Plug	Female Straight Plug	Female 90° Plug
		1=Drain 2=Red (V+) 3=Black (V-) 4=White (C A N_H) 5=Blue (C A N_L)	2M/6.6 FT.	A05E0066DT	A05F0066DT	A05A0066DT	A05C0066DT
			4M/13.1 FT.	A05E0131DT	A05F0131DT	A05A0131DT	A05C0131DT
			5M/16.4 FT.	A05E0164DT	A05F0164DT	A05A0164DT	A05C0164DT



TYPICAL STRAIGHT



TYPICAL 90 DEGREE

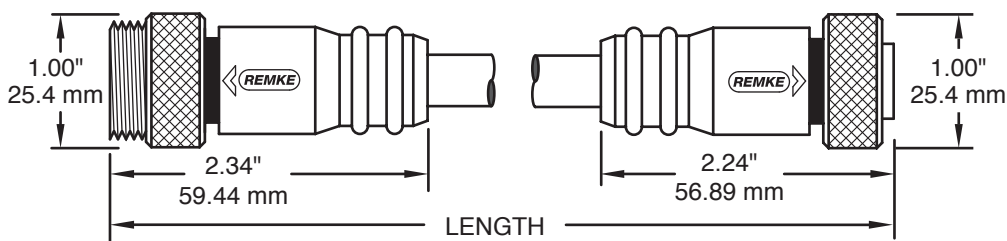


# DEVICENET™ DOUBLE-ENDED CABLE ASSEMBLIES

SPECIFICATIONS			
MATERIALS		ELECTRICAL	
Body	PVC	Voltage	300V
Contact Sleeve	Stainless Steel	Current	See Bulk Cable Page 154
Contact	Brass, Gold Plated over Nickel	ENVIRONMENTAL	
Coupling Nut	Machined Aluminum, Black Anodized	Protection	IP68
Cable	DeviceNet PVC Jacketed/Shielded 80°C See Bulk Cable Page 166	Operating Temp	-20 to 80°C
Cable Diameter	5/C - .48"	CERTIFICATIONS	
		Pending	
		NOTE	
		See ordering nomenclature for different lengths/options	

## TRUNK (THICK) MINI-TYPE

CABLE ASSEMBLY PART NUMBERS				
Male Face View	Female Face View	Wiring Color Code	Cable Length	Male/Female
		1=Drain 2=Red (V+) 3=Black (V-) 4=White (C A N_H) 5=Blue (C A N_L)	2M/6.6 FT.	A05K0066DT
			4M/13.1 FT.	A05K0131DT
			5M/16.4 FT.	A05K0164DT



TYPICAL STRAIGHT

CORD CONNECTORS

WIRE MESH GRIPS

PICO-LINK

MICRO-LINK

ETHERLINK

MINI-LINK

MULTI-PORT BOXES

BUS SYSTEM PRODUCTS





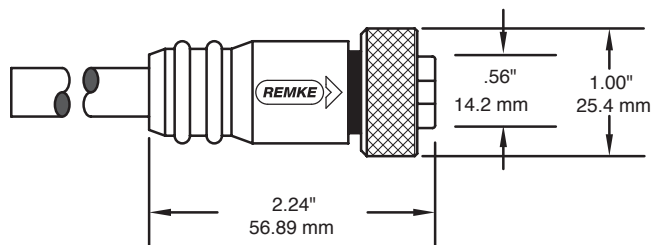
# DEVICENET™ SINGLE-ENDED CABLE ASSEMBLIES

SPECIFICATIONS			
MATERIALS		ENVIRONMENTAL	
Body	PVC	Protection	IP68
Contact Sleeve	Stainless Steel	Operating Temp	-20 to 80°C
Contact	Brass, Gold Plated over Nickel	CERTIFICATIONS	
Coupling Nut	Machined Aluminum, Black Anodized	Pending	
Cable	DeviceNet PVC Jacketed/Shielded 80°C See Bulk Cable Page 167	OPTIONS	
Cable Diameter	5/C - .28"	Stainless Steel Couplers	
ELECTRICAL		Non-metallic Couplers	
Voltage	300V	NOTE	
Current	See Bulk Cable Page 167	See ordering nomenclature for different lengths/options	
		Standard color is gray but other colors available. Connector bodies are yellow.	

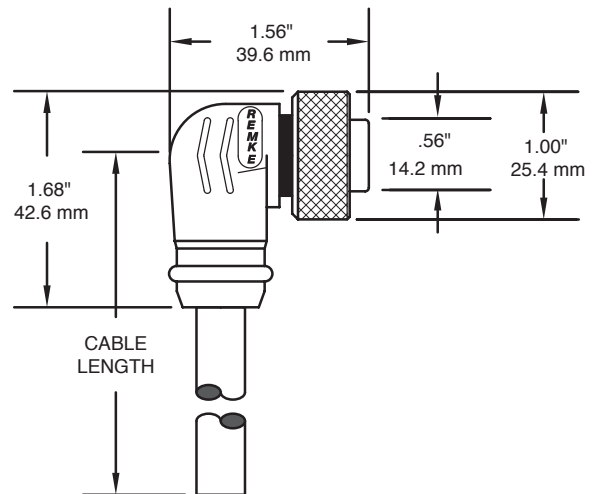
## DROP (THIN) MINI-TYPE

### CABLE ASSEMBLY PART NUMBERS

Male Face View	Female Face View	Wiring Color Code	Cable Length	Male Straight Plug	Male 90° Plug	Female Straight Plug	Female 90° Plug
		1=Drain 2=Red (V+) 3=Black (V-) 4=White (C A N_H) 5=Blue (C A N_L)	2M/6.6 FT.	A05E0066DD	A05F0066DD	A05A0066DD	A05C0066DD
			4M/13.1 FT.	A05E0131DD	A05F0131DD	A05A0131DD	A05C0131DD
			5M/16.4 FT.	A05E0164DD	A05F0164DD	A05A0164DD	A05C0164DD



TYPICAL STRAIGHT



TYPICAL 90 DEGREE

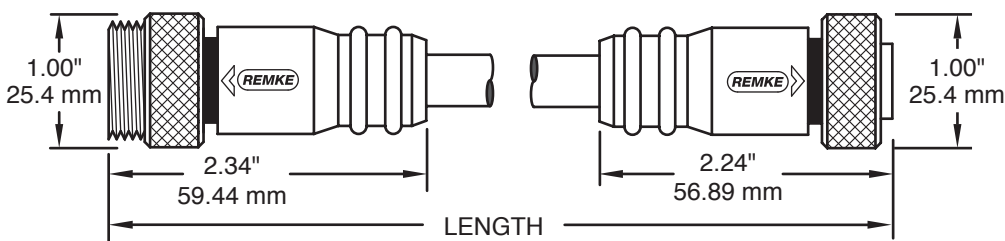


# DEVICENET™ DOUBLE-ENDED CABLE ASSEMBLIES

SPECIFICATIONS			
<b>MATERIALS</b>		<b>ELECTRICAL</b>	
Body	PVC	Voltage	300V
Contact Sleeve	Stainless Steel	Current	See Bulk Cable Page 155
		<b>ENVIRONMENTAL</b>	
Contact	Brass, Gold Plated over Nickel	Protection	IP68
Coupling Nut	Machined Aluminum, Black Anodized	Operating Temp	-20 to 80°C
		<b>CERTIFICATIONS</b>	
Cable	DeviceNet PVC Jacketed/Shielded 80°C See Bulk Cable Page 167	Pending	
Cable Diameter	5/C - .28"	<b>NOTE</b>	
		See ordering nomenclature for different lengths/options	

## DROP (THIN) MINI-TYPE

CABLE ASSEMBLY PART NUMBERS				
Male Face View	Female Face View	Wiring Color Code	Cable Length	Male/Female
		1=Drain 2=Red (V+) 3=Black (V-) 4=White (C A N_H) 5=Blue (C A N_L)	2M/6.6 FT.	A05K0066DD
			4M/13.1 FT.	A05K0131DD
			5M/16.4 FT.	A05K0164DD



TYPICAL STRAIGHT



CORD CONNECTORS

WIRE MESH GRIPS

PICO-LINK

MICRO-LINK

ETHERLINK

MINI-LINK

MULTI-PORT BOXES

BUS SYSTEM PRODUCTS



# MICRO-LINK (M12) BUS SENSOR PRODUCT ORDERING INFORMATION

BUS TYPE
B = DeviceNet™
D = SDS™ * (Smart Distributed Systems)
F = Seriplex™ *
Note: * = Consult factory.

NUMBER OF POLES
05 = 5 Pole

CONNECTOR STYLE
A = Female Straight
C = Female 90 Degree
E = Male Straight
F = Male 90 Degree
K = M/F Ext. (Straight/Straight)
L = M/F Ext. (Straight/90°)
M = M/F Ext.(90°/Straight)
N = M/F Ext. (90°/90°)

ASSEMBLY LENGTH (FT.)
1st Digit is 100 x length
2nd Digit is 10 x length
3rd Digit is 1 length
4th Digit is .1 x length
T = Terminator (A or E Connector Style only)

CABLE CODE
DD = DeviceNet Drop (Thin)
MD = SDS Drop*
SD = Seriplex Drop*
Note: * = Consult factory.

OPTIONS
1 = Stainless Steel
2 = Nickel Plated Brass
N = Non-metallic
Blank = Std. Aluminum

**B 05 K 0060 DD 1**

Use this example for help when ordering.



# DEVICENET™ SINGLE-ENDED (M12) CABLE ASSEMBLIES

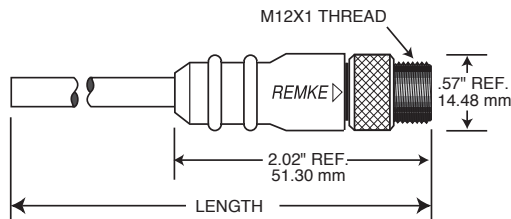
## SPECIFICATIONS

MATERIALS		ENVIRONMENTAL	
Body	PVC	Protection	IP68
Contact	Brass, Gold Plated over Nickel	Operating Temp	-20 to 80°C
Coupling Nut	Machined Aluminum, Black Anodized	CERTIFICATIONS	
Cable	DeviceNet PVC Jacketed/Shielded 80°C See Bulk Cable Page 167	Pending	
Cable Diameter	5/C - .28"	OPTIONS	
ELECTRICAL		Stainless Steel Couplers	
Voltage	250 VAC/300 VDC	Non-metallic Couplers	
Current	See Bulk Cable Page 167	NOTE	
See ordering nomenclature for different lengths/options			

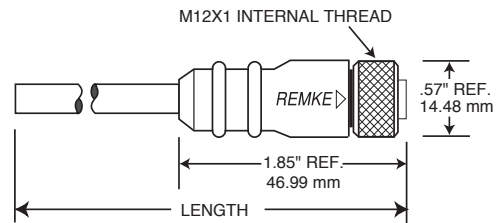
## DROP (THIN) MICRO-TYPE

### CABLE ASSEMBLY PART NUMBERS

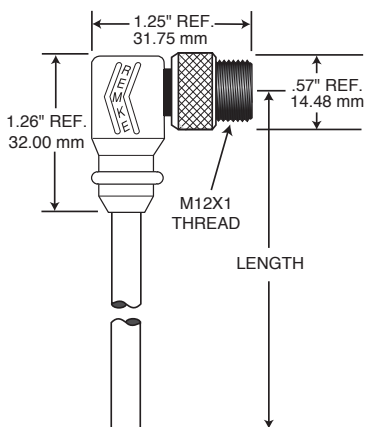
Male Face View	Female Face View	Wiring Color Code	Cable Length	Male Straight Plug	Male 90° Plug	Female Straight Plug	Female 90° Plug
		1=Drain 2=Red (V+) 3=Black (V-) 4=White (C A N_H) 5=Blue (C A N_L)	2M/6.6 FT.	B05E0066DD	B05F0066DD	B05A0066DD	B05C0066DD
			4M/13.1 FT.	B05E0131DD	B05F0131DD	B05A0131DD	B05C0131DD
			5M/16.4 FT.	B05E0164DD	B05F0164DD	B05A0164DD	B05C0164DD



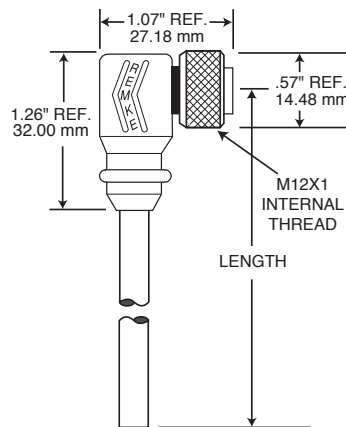
MALE STRAIGHT



FEMALE STRAIGHT



MALE 90 DEGREE



FEMALE 90 DEGREE





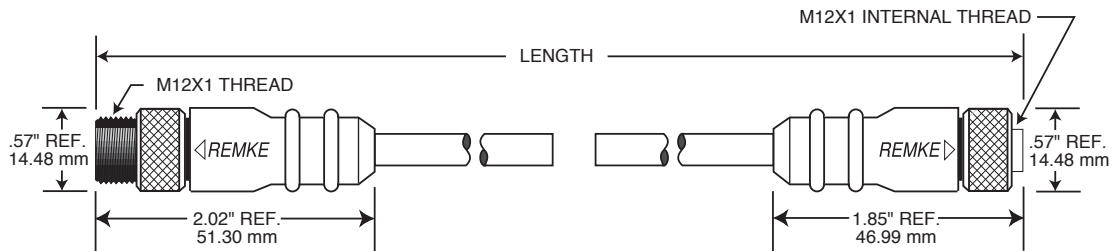
# DEVICENET™ DOUBLE-ENDED (M12) CABLE ASSEMBLIES

SPECIFICATIONS		ENVIRONMENTAL	
<b>MATERIALS</b>		<b>ENVIRONMENTAL</b>	
Body	PVC	Protection	IP68
Contact	Brass, Gold Plated over Nickel	Operating Temp	-20 to 80°C
Coupling Nut	Machined Aluminum, Black Anodized	<b>CERTIFICATIONS</b>	
Cable	DeviceNet PVC Jacketed/Shielded 80°C See Bulk Cable Page 167	Pending	
Cable Diameter	5/C - .28"	<b>NOTE</b>	
<b>ELECTRICAL</b>		See ordering nomenclature for different lengths/options	
Voltage	250 VAC/300 VDC		
Current	See Bulk Cable Page 167		

## DROP (THIN) MICRO-TYPE

### CABLE ASSEMBLY PART NUMBERS

Male Face View	Female Face View	Wiring Color Code	Cable Length	Male/Female
		1=Drain 2=Red (V+) 3=Black (V-) 4=White (C A N_H) 5=Blue (C A N_L)	2M/6.6 FT.	B05K0066DD
			4M/13.1 FT.	B05K0131DD
			5M/16.4 FT.	B05K0164DD





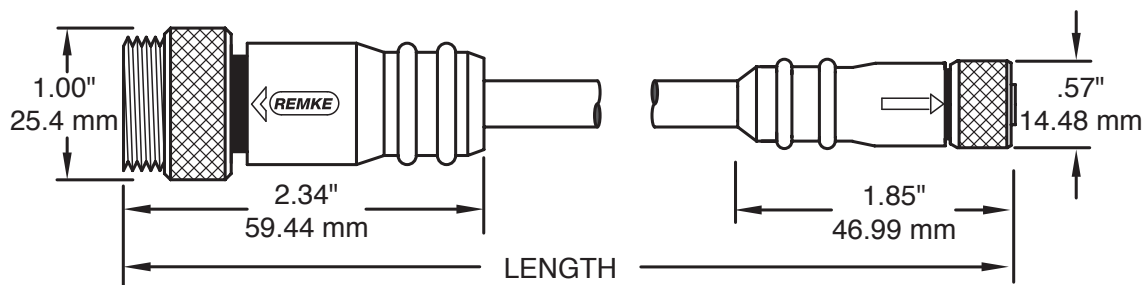


# DEVICENET™ DOUBLE-ENDED CABLE ASSEMBLIES

SPECIFICATIONS		ENVIRONMENTAL	
<b>MATERIALS</b>		<b>ENVIRONMENTAL</b>	
Body	PVC	Protection	IP68
Contact	Brass, Gold Plated over Nickel	Operating Temp	-20 to 80°C
Coupling Nut	Machined Aluminum, Black Anodized	<b>CERTIFICATIONS</b>	
Cable	DeviceNet PVC Jacketed/Shielded 80°C See Bulk Cable Page 167	Pending	
Cable Diameter	5/C - .28"	<b>NOTE</b>	
<b>ELECTRICAL</b>		See ordering nomenclature for different lengths/options	
Voltage	250 VAC/300 VDC		
Current	See Bulk Cable Page 167		

## DROP (THIN) MICRO-TYPE

CABLE ASSEMBLY PART NUMBERS				
Male Mini-Type	Female (M12) Micro-Type	Wiring Color Code	Cable Length	Male/Female
		1=Drain 2=Red (V+) 3=Black (V-) 4=White (C A N_H) 5=Blue (C A N_L)	2M/6.6 FT.	AB05K006DD
			4M/13.1 FT.	AB05K0131DD
			5M/16.4 FT.	AB05K0164DD



CORD CONNECTORS

WIRE MESH GRIPS

PICO-LINK

MICRO-LINK

ETHERLINK

MINI-LINK

MULTI-PORT BOXES

BUS SYSTEM PRODUCTS





# DEVICENET™ MINI-STYLE DISTRIBUTION BOXES

## SPECIFICATIONS

### MATERIALS

Contacts	Brass, Gold Plated over Nickel
Sleeve	Stainless Steel
Port Shell	Anodized Aluminum
Housing	Polyester
Label Material	Polyester

### ELECTRICAL

Voltage	300V
Current	8 amps per Unit

### ENVIRONMENTAL

Protection	IP68
Operating Temp	-40°C to 90°C

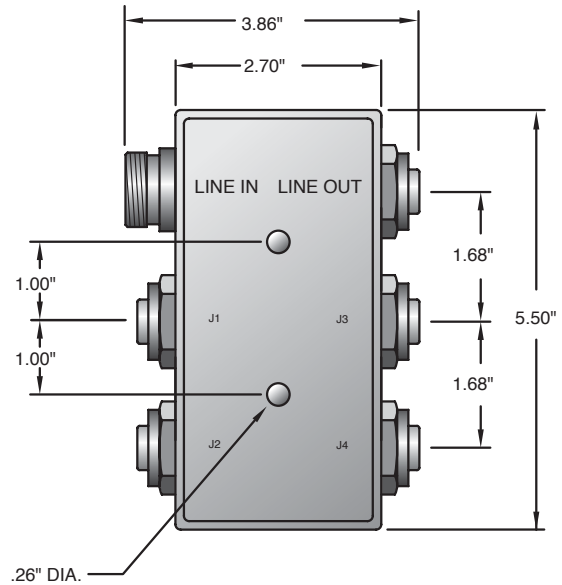
### CERTIFICATIONS

Pending

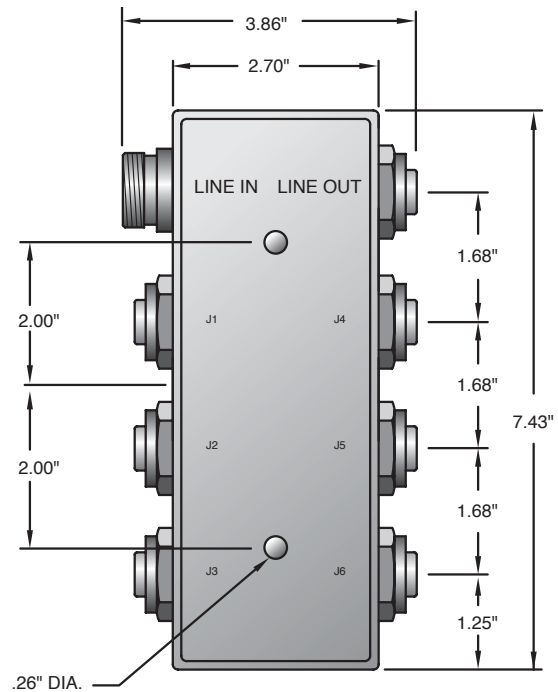
## 4 & 6 OUTLET PASSIVE IN-OUT TYPE

### DISTRIBUTION BOXES PART NUMBERS

Male Bus (In)	Female Bus (Out)	Wiring Code/Function	4 Outlet	6 Outlet
		1=Drain 2=(V+) 3=(V-) 4=(C A N_H) 5=(C A N_L)	3400060	3400059

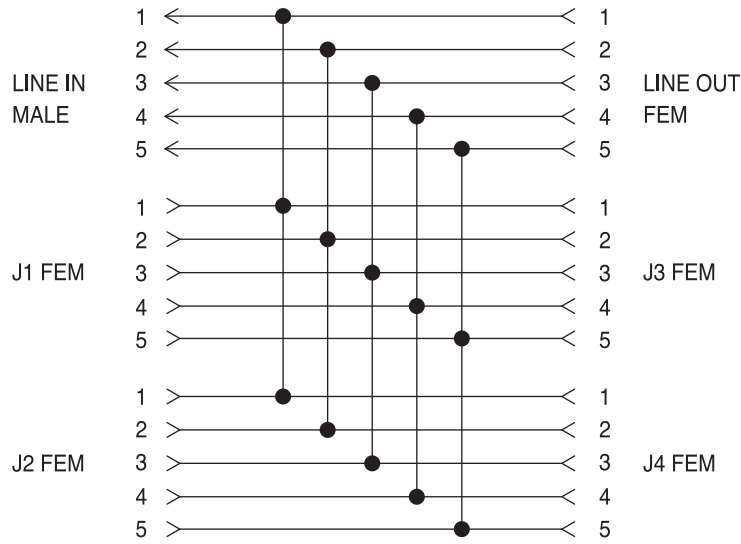


4 OUTLET BOX

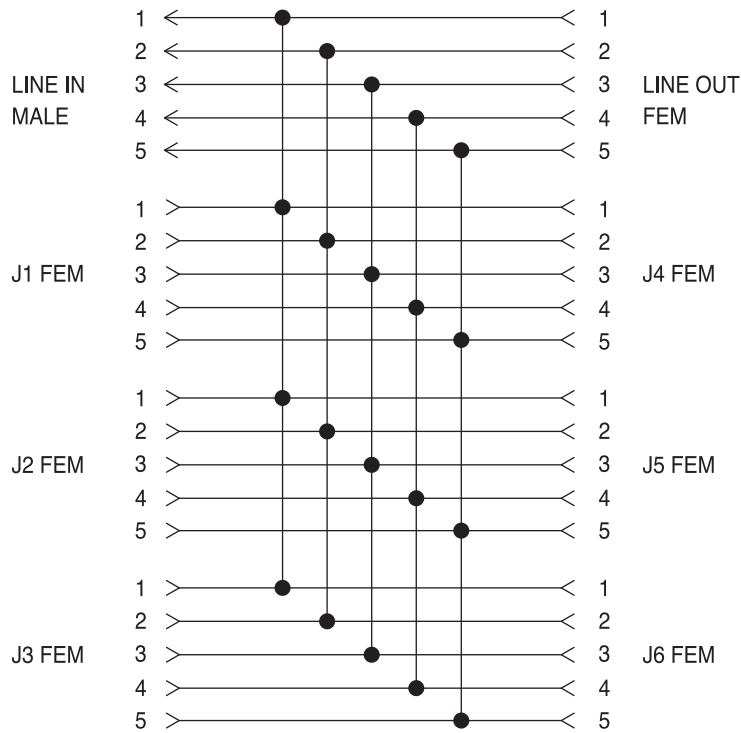


6 OUTLET BOX

# WIRING DIAGRAM



4 OUTLET WIRING DIAGRAM



6 OUTLET WIRING DIAGRAM

CORD CONNECTORS

WIRE MESH GRIPS

PICO-LINK

MICRO-LINK

ETHERLINK

MINI-LINK

MULTI-PORT BOXES

BUS SYSTEM PRODUCTS





# DEVICENET™ MICRO-STYLE (M12) DISTRIBUTION BOXES

## SPECIFICATIONS

### MATERIALS

Contacts	Brass, Gold Plated over Nickel
Sleeve	Stainless Steel
Port Shell	Anodized Aluminum
Housing	Polyester
Label Material	Polyester

### ELECTRICAL

Voltage Rating	250 VAC/300 VDC
Current	5 amps per Unit

### ENVIRONMENTAL

Protection	IP68
Operating Temp	-40°C to 90°C

### CERTIFICATIONS

Pending

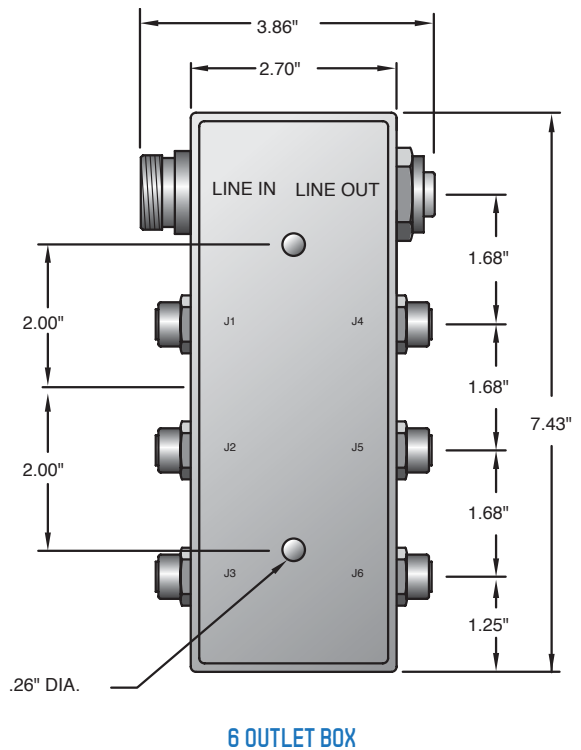
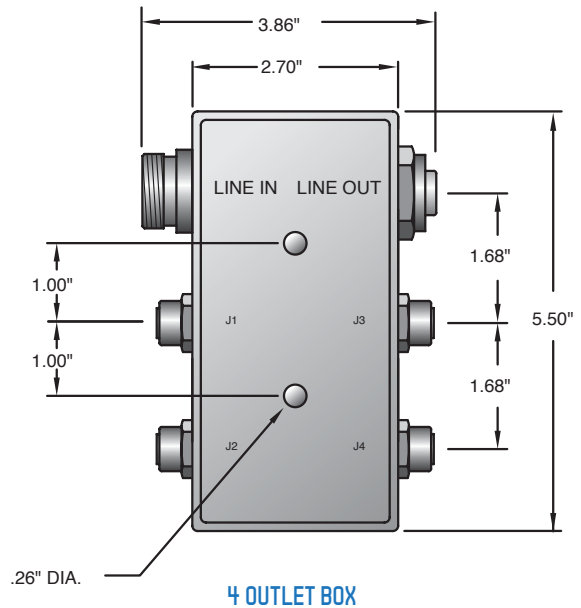
### NOTE

Box height for all sizes - 1.37"/34.80mm.

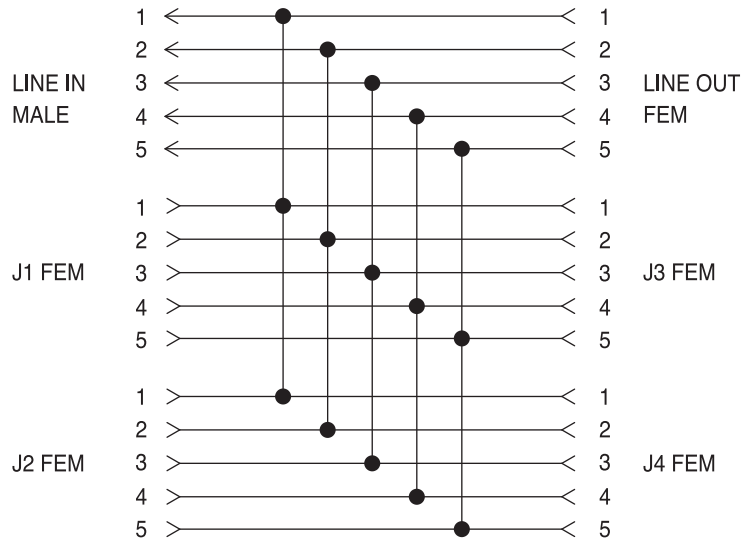
## 4 & 6 OUTLET PASSIVE IN-OUT TYPE

### DISTRIBUTION BOXES PART NUMBERS

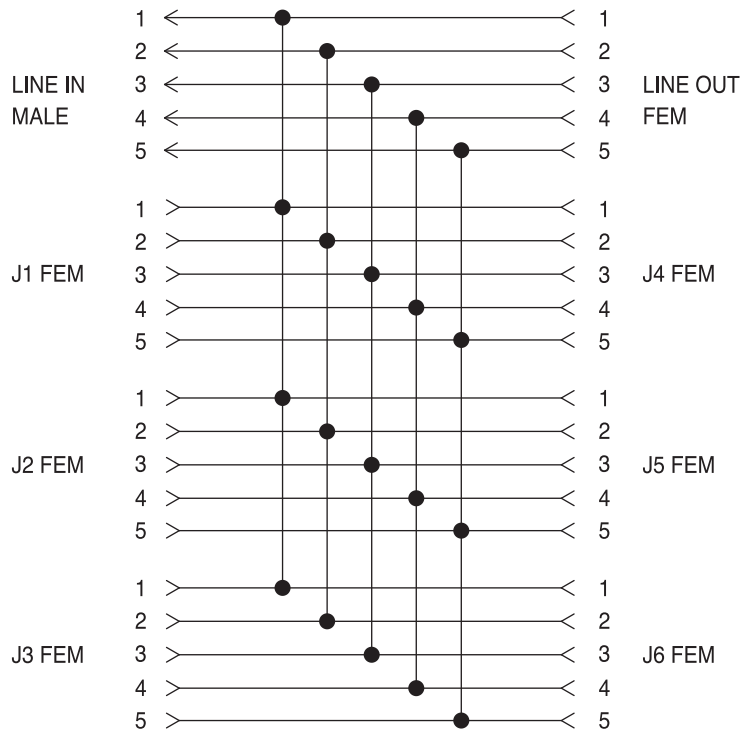
Male Bus (In)	Female Bus (Out)	Wiring Code/Function	4 Outlet	6 Outlet
		1=Drain 2=(V+) 3=(V-) 4=(C A N_H) 5=(C A N_L)	3400065	3400064



# WIRING DIAGRAM



4 OUTLET WIRING DIAGRAM



6 OUTLET WIRING DIAGRAM

CORD CONNECTORS

WIRE MESH GRIPS

PICO-LINK

MICRO-LINK

ETHERLINK

MINI-LINK

MULTI-PORT BOXES

BUS SYSTEM PRODUCTS





# DEVICENET™ RECEPTACLES

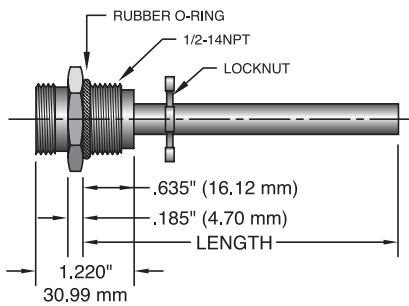
## SPECIFICATIONS

MATERIALS		ELECTRICAL	
Contact	Brass, Gold Plated over Nickel	Voltage	300V
Sleeve	Stainless Steel	Current	See Bulk Cable Page 166
Shell	Machined Aluminum, Black Anodized	ENVIRONMENTAL	
O-Ring	Viton	Protection	IP68
Locknut	Plated Steel	Operating Temp	-20 to 80°C
Cable Version	DeviceNet PVC Jacketed/Shielded 80°C See Bulk Cable Page 166	CERTIFICATIONS	
Cable Diameter	5/C - .48"	Pending	
Wire Version	#16 AWG PVC (26 x #30 Stranding)	NOTES	
		See ordering nomenclature for different lengths/options	
		Knock-out dimensions in Tuff-Link Technical Reference Section.	

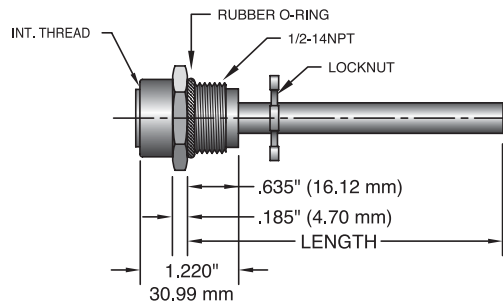
## DEVICENET MINI-TYPE RECEPTACLES, CABLE AND WIRE VERSIONS

### RECEPTACLE PART NUMBERS

Male Face View	Female Face View	Wiring Color Code	Male Receptacle w/Cable	Male Receptacle w/Leads	Female Receptacle w/Cable	Female Receptacle w/Leads
		1=Drain 2=Red (V+) 3=Black (V-) 4=White (CAN_H) 5=Blue (CAN_L)	A05AL0033DT Cable Length: 1M	A05ML0010M LEAD LENGTH: 12IN	A05AK0033DT CABLE LENGTH: 1M	A05FL0010M LEAD LENGTH: 12IN



MALE RECEPTACLE



FEMALE RECEPTACLE



# DEVICENET™ RECEPTACLES

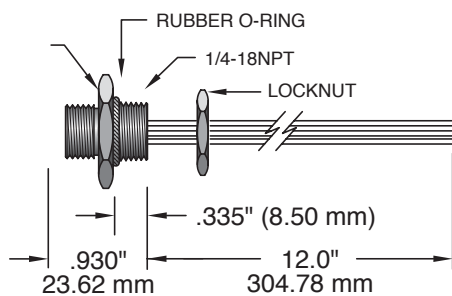
## SPECIFICATIONS

MATERIALS		ENVIRONMENTAL	
Contact	Brass, Gold Plated over Nickel	Protection	IP68
Shell	Machined Aluminum, Black Anodized	Operating Temp	-20 to 80°C
O-Ring	Nitrile Rubber	CERTIFICATIONS	
Locknut	Plated Steel	Pending	
Wire	#18 AWG PVC (19 x #30 Stranding)	NOTES	
ELECTRICAL		See ordering nomenclature for different lengths/options	
Voltage	250 VAC/300 VDC	Knock-out dimensions in Tuff-Link Technical Reference Section.	
Current	5A-See Bulk Cable Page 167		

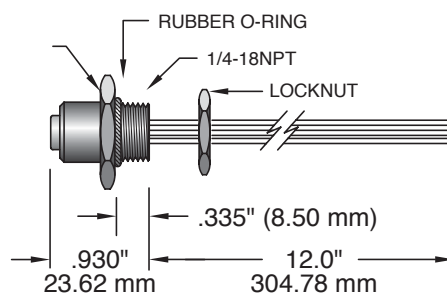
## DEVICENET MICRO-TYPE RECEPTACLES

### RECEPTACLE PART NUMBERS

Male Face View	Female Face View	Wiring Color Code	Male Receptacle w/Cable	Male Receptacle w/Leads	Female Receptacle w/Leads
		1=Drain 2=Red (V+) 3=Black (V-) 4=White (CAN_H) 5=Blue (CAN_L)	B05R0033DD CABLE LENGTH: 1M	B05R0010N LEAD LENGTH: 12IN	B05S0010N LEAD LENGTH: 12IN



MALE RECEPTACLE



FEMALE RECEPTACLE

CORD CONNECTORS

WIRE MESH GRIPS

PICO-LINK

MICRO-LINK

ETHERLINK

MINI-LINK

MULTI-PORT BOXES

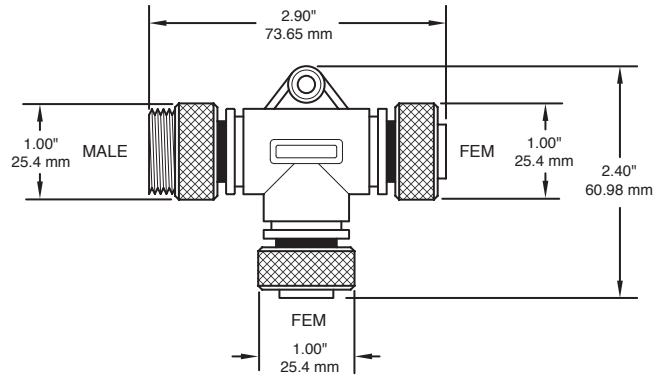
BUS SYSTEM PRODUCTS





# DEVICENET™ BUS DROP TEES

## BUS DROP TEE MINI-TYPE



### SPECIFICATIONS

#### MATERIALS

Contacts	Copper Alloy with Gold Plating
Housing	PVC
Couplers	Clear Anodized Aluminum

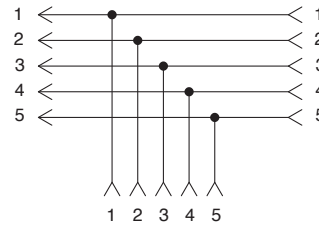
#### ELECTRICAL

Voltage	300 V
Current	8 amps

#### ENVIRONMENTAL

Protection	IP67
Operating Temp	-20°C to 105°C

### SCHEMATICS



MICRO TEE PART NUMBER	
DDM / MFF5	

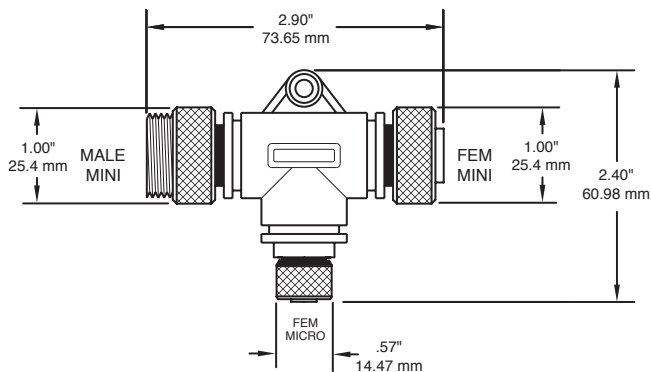




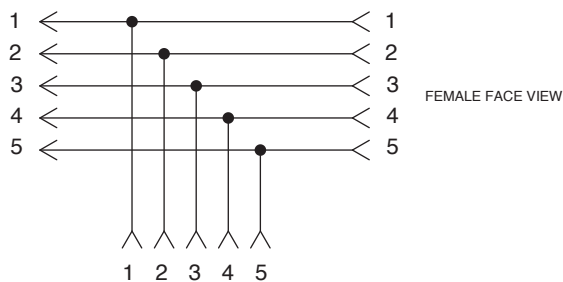
# DEVICENET™ BUS DROP TEES

SPECIFICATIONS	
MATERIALS	
Contacts	Copper Alloy with Gold Plating
Housing	PVC
Couplers	Clear Anodized Aluminum
ELECTRICAL	
Voltage Rating	250 VAC/300 VDC
Current	8 amps
ENVIRONMENTAL	
Protection	IP67
Operating Temp	-20°C to 105°C

## BUS DROP TEE MICRO-TYPE (M12)



## SCHEMATICS



MINI TEE PART NUMBER	
DTM / MFF5	

CORD CONNECTORS

WIRE MESH GRIPS

PICO-LINK

MICRO-LINK

ETHERLINK

MINI-LINK

MULTI-PORT BOXES

BUS SYSTEM PRODUCTS





# DEVICENET™ TERMINATORS

## SPECIFICATIONS

### MATERIALS

Body	PVC
O-Ring	Nitrile Rubber (Micro-type)
Contact	Brass, Gold Plated over Nickel
Coupling Nut	Machined Aluminum, Black Anodized

### ELECTRICAL

Voltage	50V
Ampacity	Mini - 8A, Micro - 4A
Load Resistance	120 Ohm

### ENVIRONMENTAL

Protection	IP68
Operating Temp	-20 to 80° C

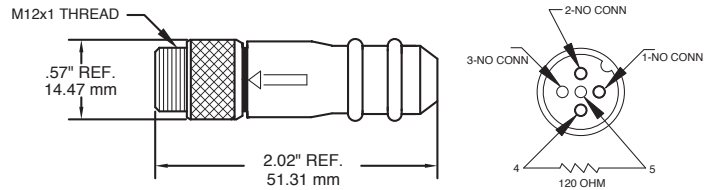
### CERTIFICATIONS

Pending

### OPTIONS

Stainless Steel Couplers
Non-Metallic Couplers

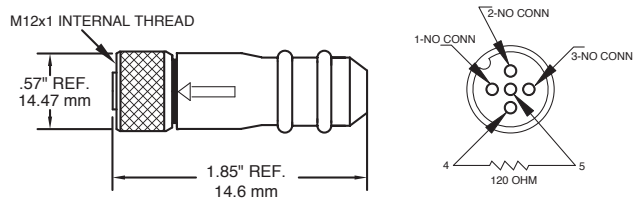
## MICRO MALE TERMINATOR (M12)



### MICRO-TYPE MALE PART NUMBER

B05ET

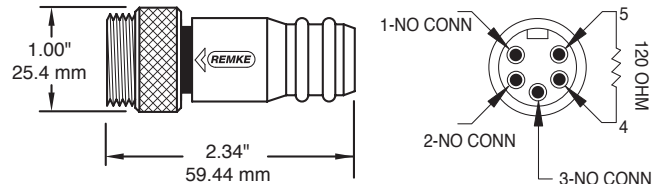
## MICRO FEMALE TERMINATOR (M12)



### MICRO-TYPE FEMALE PART NUMBER

B05AT

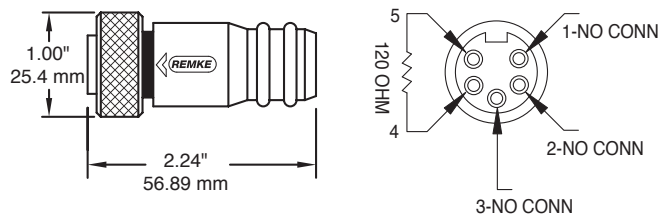
## MINI MALE TERMINATOR



### MINI-TYPE MALE PART NUMBER

A05ET

## MINI FEMALE TERMINATOR



### MINI-TYPE FEMALE PART NUMBER

A05AT



# WIRING ACCESSORIES

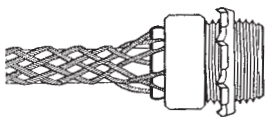
## STRAIN RELIEF CORD GRIPS

Available in standard sizes (1/4" through 3"), Remke Cord Grips are produced in aluminum, nylon, steel and stainless steel to provide maximum sealing and support for cord terminations. Custom designs are available, including designs with metric threads and other special features. Inquire of your Remke Representative or Distributor.

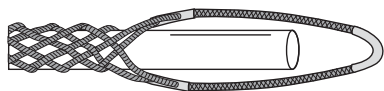
Choose from hundreds of strain relief and cable support products manufactured by Remke, such as Cord Grip, Wide Range Grips and Bus Drop Grips, illustrated below.



CORD GRIPS



WIDE RANGE GRIPS

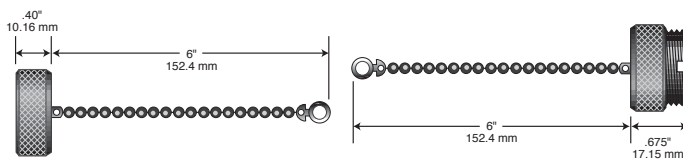


BUS DROP GRIPS

## CLOSURE CAPS FOR MINI-STYLE RECEPTACLES AND PLUGS

Receptacles with External Threads

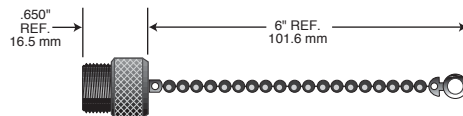
Plugs with Internal Threads



Number of Poles	Plugs	Receptacles
2, 3, 4, 5 OR 6 (A-SIZE)	75-0085	75-0086
6 (B-SIZE), 7 OR 8	75-0102	75-0103
9, 10 OR 12	75-0104	75-0105

Also available in stainless steel

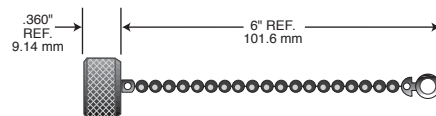
## CLOSURE CAPS FOR MICRO-STYLE PLUGS AND RECEPTACLES WITH INTERNAL THREADS



Single Key (M12)	Dual Key (1/2-20)
75-0025	75-0027

Also available in stainless steel

## CLOSURE CAPS FOR MICRO-STYLE PLUGS AND RECEPTACLES WITH EXTERNAL THREADS



Single Key (M12)	Dual Key (1/2-20)
75-0026	75-0028

Also available in stainless steel

CORD CONNECTORS

WIRE MESH GRIPS

PICO-LINK

MICRO-LINK

ETHERLINK

MINI-LINK

MULTI-PORT BOXES

BUS SYSTEM PRODUCTS





# TUFF-LINK™ TECHNICAL REFERENCE SECTION

## RoHS STATEMENT

Remke Industries supports the European Union's efforts to remove harmful chemicals from electrical products. In compliance with Directive 2011/65/EU of the European Parliament and the Council of the European Union regarding the restriction of the use of certain hazardous substances in electrical and electronic equipment (RoHS), Remke Industries certifies either:

1. The maximum concentration values of weight in homogenous materials for the substances referred to in Article 4(1) of directive 2002/95/EC that are contained in the Products do not exceed the maximum concentration values of 0.1% in respect of lead, mercury, hexavalent chromium, polybrominated biphenyls, polybrominated diphenyl ethers, and 0.01% in respect of cadmium. OR
2. The product supplied is exempt from this directive.

Remke Industries certifies that all products of our manufacture are fully compliant to the current RoHS Directive.

### CABLE CROSS REFERENCE AWG TO mm<sup>2</sup>

AWG	mm <sup>2</sup>	AWG	mm <sup>2</sup>	AWG	mm <sup>2</sup>
30	0.05	21	0.38	16	1.5
28	0.08	20	0.5	14	2.5
26	0.14	18	0.75	12	4
24	0.25	17	1	10	6
22	0.34			8	10

### KNOCKOUT HOLE DIMENSIONS

N.P.T. Hub Size	Knockout Hole Recommended (Min to Max/ Inches)
1/4"	.540 TO .570
3/8"	.671 TO .701
1/2"	.859 TO .906
3/4"	1.094 TO 1.141
1"	1.359 TO 1.406
1 1/4"	1.719 TO 1.766
1 1/2"	1.969 TO 2.016
2"	2.453 TO 2.500
2 1/2"	2.953 TO 3.000
3"	3.578 TO 3.625

### COMPOUND RESISTANCE TABLE

Category	PVC	PUR	Rubber	TPE
Abrasion Resistance	F-G	E	E	E
Acid Resistance	G-E	E	G	E
Alcohol Resistance	G-E	E	G	E
Alkali Resistance	G-E	E	F-	E
Benzol, Toluolol Resistance	G-E	E	F-G	E
Degreaser Solvents Resistance	P-F	G-E	P	G-E
Electrical Properties	F-G	E	G	E
Flame Resistance	G-E	G-E	P-F	E
Gasoline Resistance	P	G-E	F-G	E
Heat Resistance	G	G-E	G	G-E
Low Temp Flexibility	P-F	G	G-E	G-E
Nuclear Radiation Resistance	F	E	F-G	P
Oil Resistance	F	O	G	O
Oxidation Resistance	E	E	G	O
Ozone Resistance	E	E	G	E
Water Resistance	G-E	G-E	G-E	G
Weather, Sunlight Resistance	G-E	E	F-G	O
Weld Slag Resistance	F	G-E	O	G-E

NOTES

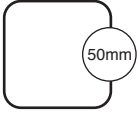

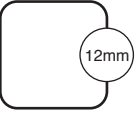

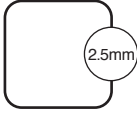
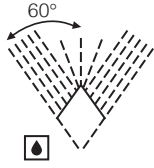
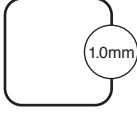

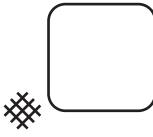
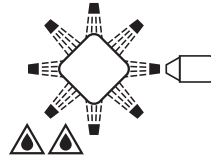
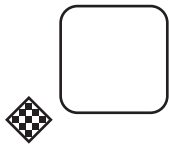
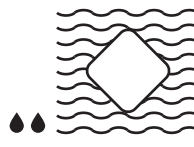
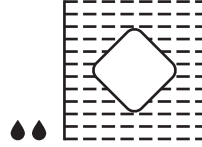
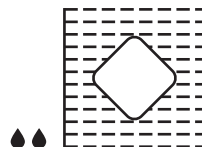
P=Poor, F=Fair, G=Good, E=Excellent, O=Outstanding

These ratings are based on average performances of general use compounds. Special compounding can enhance performance capabilities.

### TUFF-LINK APPLICATION GUIDE

PRODUCT	CONNECTS TO	APPLICATIONS
PICO-LINK CONNECTORS	8mm Sensors, Switches, Actuators, Etc. Miniature Modular Controls Printed Circuit Boards Temperature Probes	Robotic End Arm Tooling Gear Tooth Sensing Conveyors Material Handling Equipment Packaging Equipment
MICRO-LINK CONNECTORS	M12 Sensors & Actuators Modular Controls and Solenoids 12 & 18mm Sensors & Actuators Photoelectric Switches Proximity, Pressure & Limit Switches Hydraulic & Pneumatic Valves	Conveyors Pick-N-Place Robots & Machines Assembly & Packaging Lines OEM Machines & Equipment Transfer Lines Automated Machinery
MINI-LINK CONNECTORS	12 & 18mm Sensors & Actuators Solenoids & Hydraulic Valves Fractional HP Motors Proximity, Pressure & Limit Switches Power Tools & Foot Operated Switches Controls For Cranes & Hoists	Material Handling Systems Assembly & Packaging Lines Conveyors OEM Machines & Equipment Robotics Transportation Equipment
MICRO-PORT & MINI-PORT DISTRIBUTION BOXES	8-12- Or 18mm Sensors & Actuators Proximity, Pressure & Limit Switches Solenoids & Miniature Controls	Wire Consolidation On Automated Assembly, Material Handling And Packaging Equipment Wire Consolidation In Robotics

## IP RATINGS DEFINITION

First Digit	Protection From Solid Objects	Second Digit	Protection From Moisture
0	Non-Protected	0	Non-Protected
1	 <p>Protected against solid objects over 50mm e.g hands, large tools</p>	1	 <p>Protection against vertically falling drops of water</p>
2	 <p>Protected against solid objects over 12mm e.g hands, large tools</p>	2	 <p>Protection against direct sprays of water up to a 15° angle</p>
3	 <p>Protection from entry by solid objects over 2.5mm e.g. wire or small tools</p>	3	 <p>Protection against direct sprays of water up to a 60° angle</p>
4	 <p>Protection from entry by solid objects over 1.0mm e.g. wires or tools</p>	4	 <p>Protection against water sprayed from any direction. Limited ingress permitted.</p>
5	 <p>Protection against deposits of dust e.g. against equipment damage due to deposits</p>	5	 <p>Protection against low pressure water jets from any direction. Limited ingress permitted</p>
6	 <p>Total protection against dust ingress e.g. Dust-Tight</p>	6	 <p>Protection against high pressure water jets from any direction. Limited ingress permitted.</p>
<b>IP CODE EXAMPLE</b>			
IP54 = IP (IP LETTER CODE), 5 (1st Digit), 4 (2nd Digit)			
7		7	 <p>Protection against immersion between 15cm and 1M</p>
8		8	 <p>Protection against complete and continuous immersion in water under pressure e.g Water-Tight</p>

CORD CONNECTORS

WIRE MESH GRIPS

PICO-LINK

MICRO-LINK

ETHERLINK

MINI-LINK

MULTI-PORT BOXES

BUS SYSTEM PRODUCTS





### MATERIAL/APPLICATION GUIDE - CABLE JACKET MATERIAL

	COST	TYPICAL APPLICATIONS
<b>TYPE SOOW &amp; SJOOW RUBBER</b> Excellent resistance to oils, acids, chemicals, water, ozone, Extreme temperatures, cuts, tears & abrasion. Flame retardant & highly flexible. Indoor/outdoor rated. Sunlight resistant.	Moderate to High	Extra hard usage on industrial equipment, heavy tools, motors, welding with hot substrates like weld spatter, machinery mining applications, and where solvents, oil and coolants exist.
<b>PVC (POLYVINYLCHLORIDE)</b> Excellent flame, heat, oxidation and moisture resistance. Good performance in a wide range of temperatures. Good resistance to tearing & abrasions and resists some cutting fluids.	Low	General assembly applications, general industrial machinery, controls & control instrumentation. Other applications include general wiring, and outdoors. Not suited for high-flex applications.
<b>PUR (POLYURETHANE)</b> Excellent resistance to oils, solvents, greases, oxidation, ozone. Excellent cut-through, tear, and abrasion performance. Resistant to many industrial fluids. Poor resistance to steam, high temperatures and acids. Long flex life.	Moderate	High abuse areas including metal cutting and machining. High-flex applications including robotics. Good in cold temperature & freezer applications. Good in applications with mechanical abuse, vibration and impact.
<b>TPE (THERMOPLASTIC ELASTOMER)</b> Excellent ozone, chemical, oil and water resistance. Rated for constant flexing. Highly flexible and resistant to flame, weld slag, broad range of chemicals & corrosive cutting fluids. Excellent abrasion resistance, wide range of operating temperatures, good weatherability.	Moderate	General use in harsh environments. Ideal in automotive plants – welding robots, machining and general use. Mobile equipment or machines. High-flex applications like end of arm tooling, grippers, robots and other automated equipment.
<b>SILICONE</b> Excellent high temperature resistance. Temperature range -65 to +260 degrees C.	Moderate to High	Food processing, packaging, refrigeration, furnaces, foundries, glass manufacturing, steel mills & other high temperature processes.

### MATERIAL/APPLICATION GUIDE - COUPLING NUT MATERIAL

	STANDARD OR OPTIONAL	TYPICAL APPLICATIONS
<b>ANODIZED ALUMINUM</b> Stronger & more durable than regular aluminum with increased corrosion resistance and surface hardness. Highly resistant to scratches & wear. Resists moisture and salt spray. Durable and equipment, pulp and paper. easy to maintain - cleans easily.	Standard	Good to use in applications where durability is critical including food manufacturing & prep equipment, automotive production, general manufacturing, marine industry, medical & dental equipment, pulp and paper.
<b>STAINLESS STEEL</b> Rated to IP68 and can withstand 1200 PSI applications with water, detergents & surfactants. Corrosion resistant, retains strength at high temperatures, easy cleaning, attractive appearance, excellent impact resistance, high resistance to shock at low & high temperatures. Provides the longest protection against freezing and rusting.	Optional	Excellent for wash down environments and food industry applications or any place caustic materials are used. Ideal for use in hospitals, dairies, automotive, conveyors, chemical & petrochemical plants, oil & gas offshore and onshore, power generation.
<b>NICKEL PLATED BRASS</b> Superior protection against corrosion. Provides enhanced appearance and superior conductivity. More economical than stainless steel. Resistant to salt water, weak acids and alkalis, alcohol, esters, ketones, ether, gasoline, mineral oil, animal and vegetable oil.	Standard	Ideally suited for washdown environments in food processing plants at ASTM salt spray tests indicate corrosion resistance with similar properties of stainless steel. Also suited for wastewater treatment facilities, offshore & marine industry.
<b>PEEK POLYMERS</b> High performance thermoplastic with melting temperature of 649°F. Exceptional strength. Excellent resistance to wide range of chemical environments even at higher temperatures. Insoluble in most common solvents. Can be used in steam or high water pressure. Resistant to oil, fire and smoke.	Optional	Well suited for use in automotive and transport machinery, food & beverage equipment and parts, industrial and chemical processing equipment, medical & healthcare devices, military & defense equipment, oil and gas machinery, deep drilling components textile machinery.



# CROSS REFERENCES

**SECTION**

**PAGE**

Tuff-Seal Competitor Reference .....	190-204
Tuff-Link Competitor Reference .....	205-206
Mini-Link Old to New Part No. Cross Reference .....	207-208
New Molex/Brad Number (Plastic Mini-Style) Cross Reference .....	209
Mini-Port & Micro-Port Cross Reference .....	210





# RSR STRAIGHT CORD GRIPS CROSS REFERENCE

## WITHOUT MESH GRIP

Cable Range	Remke	Appleton	Crouse Hinds	(Hubbell) Kellems	Killark	O.Z./Gedney	Pyle-National	Raco	Thomas & Betts
<b>1/4"</b>									
.125 – .188	RSR-0003	—	—	SHC-1002	—	—	DB-44316	—	—
.188 – .250	RSR-0004	CG-1525	—	SHC-1003	—	—	DB-4414	—	2517
.250 – .312	RSR-0005	—	—	SHC-1004	—	—	DB-44516	—	—
.312 – .375	RSR-0006	—	—	SHC-1005*	—	—	—	—	—
.375 – .438	RSR-0007	—	—	SHC-1006*	—	—	—	—	—
<b>3/8"</b>									
.125 – .188	RSR-003	CG-1238	CGB-3814	SHC-1008	ZY-1	—	DB-4316	4800-1	—
.188 – .250	RSR-004	CG-1838	CGB-3814	SHC-1009	ZY-1	—	DB-414	4800-2	2519
.250 – .312	RSR-005	CG-1838	CGB-3816	SHC-1010	ZY-2	—	DB-4516	4800-3	—
.312 – .375	RSR-006	CG-3138	CGB-3816	SHC-1011	ZY-3	—	DB-438	4800-4	—
.375 – .438	RSR-007	CG-3138	CGB-3817	SHC-1012	ZY-4	—	DB-4	4800-5	—
<b>1/2"</b>									
.125 – .188	RSR-1003	CG-1250	CGB114	SHC-1014	ZY-5	SR-502	DB-3316	4801-1	—
.188 – .250	RSR-1004	CG-1850	CGB114	SHC-1015	ZY-5	SR-503	DB-314	4801-2	2520
.250 – .312	RSR-1005	CG-3150	CGB116	SHC-1016	ZY-6	SR-504	DB-3516	4801-3	2521
.312 – .375	RSR-1006	CG-3150	CGB116	SHC-1017	ZY-7	SR-504	DB-338	4801-4	2521
.375 – .438	RSR-1007	—	CGB117	SHC-1018	ZY-8	SR-505	DB-3	4801-5	2522
<b>1/2"</b>									
.125 – .188	RSR-103	CG-1250	CGB-114	SHC-1014	ZY-5	SR-502	DB-3316	4801-1	—
.188 – .250	RSR-104	CG-1850	CGB-114	SHC-1015	ZY-5	SR-503	DB-314	4801-2	2520
.250 – .312	RSR-105	CG-3150	CGB-116	SHC-1016	ZY-6	SR-504	DB-3516	4801-3	2521
.312 – .375	RSR-106	CG-3150	CGB-116	SHC-1017	ZY-7	SR-504	DB-338	4801-4	2521
.375 – .438	RSR-107	CG-3750	CGB-117	SHC-1018	ZY-8	SR-505	DB-3	4801-5	2522
.438 – .500	RSR-108	CG-3750	CGB-117	SHC-1025	ZX-9	SR-505	DB-9	4802-4	2522
.500 – .562	RSR-109	CG-5050	CGB-195	SHC-1026	ZX-10	SR-506	DB-9916	4802-5	2523
.562 – .625	RSR-110	CG-5050	CGB-195	SHC-1026	ZX-10	SR-506	DB-10	4802-5	2524*
<b>3/4"</b>									
.125 – .188	RSR-2103	CG-1275	CGB-292	SHC-1030	ZX-12	—	DB-614	4803-1	2530
.188 – .250	RSR-2104	CG-1275	CGB-292	SHC-1031	ZX-12	SR-75-250	DB-614	4803-2	2530
.250 – .312	RSR-2105	CG-2575	CGB-293	SHC-1032	ZX-13	SR-75-375	DB-6516	4803-3	2531
.312 – .375	RSR-2106	CG-2575	CGB-293	SHC-1032	ZX-13	SR-75-375	DB-638	4803-3	2531
.375 – .438	RSR-2107	CG-3775	CGB-294	SHC-1033	ZX-14	SR-75-500	DB-6716	4803-4	2532
.438 – .500	RSR-2108	CG-3775	CGB-294	SHC-1033	ZX-14	SR-75-500	DB-612	4803-4	2532
.500 – .562	RSR-2109	CG-5075	CGB-295	SHC-1034	ZX-15	SR-75-625	DB-6916	4803-5	2534
.562 – .625	RSR-2110	CG-5075	CGB-295	SHC-1034	ZX-15	SR-75-625	DB-6	4803-5	2534*
<b>3/4"</b>									
.438 – .562	RSR-209	—	—	—	—	—	DB-6916	—	—
.500 – .625	RSR-210	CG-5075	CGB-295	SHC-1036	ZA-9	—	DB-6	—	—
.562 – .688	RSR-211	—	—	—	ZA-11	—	DB-111116	—	—
.625 – .750	RSR-212	CG-6275	CGB-296	SHC-1037	ZA-12	—	DB-11	4803-8	2535
.688 – .812	RSR-213	—	—	—	—	—	—	—	—
.812 – .938	RSR-2315	—	CGB-298	—	—	—	DB-2516*	—	—
<b>1"</b>									
.438 – .562	RSR-309	CG-37100	—	—	—	—	DB-33916	—	—
.500 – .625	RSR-310	CG-50100	CGB-395	SHC-1040	ZC-1	—	DB-3358	4804-1	2544
.562 – .688	RSR-311	CG-50100	—	—	—	—	DB-331116	—	—
.625 – .750	RSR-312	CG-62100	CGB-396	SHC-1041	ZC-2	SR-100-750	DB-33	4804-2	2545
.688 – .812	RSR-313	—	—	—	—	—	DB-1413	—	—
.750 – .875	RSR-314	CG-75100	CGB-397	SHC-1045	ZC-3	—	DB-1478	4804-3	2546
.812 – .938	RSR-315	—	—	—	—	—	DB-141516	—	—

\*The cable may have to be stripped to pass through the bore of the body.





# RSR STRAIGHT CORD GRIPS CROSS REFERENCE

## WITHOUT MESH GRIP

Cable Range	Remke	Appleton	Crouse Hinds	(Hubbell) Kellems	Killark	O.Z./Gedney	Pyle-National	Raco	Thomas & Betts
<b>1"</b>									
.875 – 1.000	RSR-3516	CG-87100	CGB-398	SHC-1046	ZC-4	SR-100-1000	DB-14	4804-4	2547
1.000 – 1.125	RSR-3518	CG-100100*	CGB-399	SHC-1047*	ZC-5	—	—	4804-5	—
1.125 – 1.250	RSR-3520	—	—	SHC-1048*	ZC-6	—	—	—	2549*
1.250 – 1.375	RSR-3522	—	CGB-3911	SHC-1049*	ZC-7	—	—	—	—
<b>1 1/4"</b>									
.750 – 0.875	RSR-414	CG-75125	—	SHC-1050	ZC-10	—	DBZM-4714	4805-5	—
.875 – 1.000	RSR-416	CG-87125	CGB-498	SHC-1051	ZC-11	—	DBZM-4716	4805-6	2558
1.000 – 1.125	RSR-418	CG-100125	—	SHC-1052	ZC-12	SR-125-1375	DBZM-4718	4805-7	2559*
1.125 – 1.250	RSR-420	CG-112125	—	SHC-1053	ZC-13	SR-125-1375	DBZM-4720	4805-8	—
1.250 – 1.375	RSR-422	CG-125125*	CGB-4911	SHC-1054	ZC-14	SR-125-1375	DBZM-4722	4805-9	2556*
<b>1 1/2"</b>									
.750 – 0.875	RSR-514	—	—	SHC-1055	ZD-8	—	DBZM-5714	4806-0	—
.875 – 1.000	RSR-516	—	CGB-598	SHC-1056	ZD-10	—	DBZM-5716	4806-1	2562
1.000 – 1.125	RSR-518	—	—	SHC-1057	ZD-11	SR-150-1375	DBZM-5718	4806-2	2563
1.125 – 1.250	RSR-520	CG-115150	—	SHC-1058	ZD-12	SR-150-1375	DBZM-5720	4806-3	—
1.250 – 1.375	RSR-522	—	CGB-5911	SHC-1059	—	—	DBZM-5722	4806-4	—
<b>1 1/2"</b>									
1.250 – 1.375	RSR-5622	—	CGB-5911	SHC-1060	—	—	DBZM-5722	—	2564
1.438 – 1.562	RSR-5625	CG-128150	—	—	—	SR-150-1750	DBZM-5826*	—	—
1.562 – 1.688	RSR-5627	—	CGB-5913	SHC-1062	—	SR-150-1750	—	—	2565*
1.688 – 1.812	RSR-5629	—	—	SHC-1063	—	—	DBZM-5828*	—	—
<b>2"</b>									
1.250 – 1.375	RSR-622	—	—	SHC-1065	—	—	DBZM-6822	—	2573
1.438 – 1.562	RSR-625	—	—	SHC-1067	—	SR-200-1750	DBZM-6824	—	—
1.562 – 1.688	RSR-627	—	CGB-6913	SHC-1068	—	SR-200-1750	—	—	2574
1.688 – 1.812	RSR-629	—	—	—	—	—	—	—	—
<b>2"</b>									
1.688 – 1.812	RSR-6729	CG-153200	—	SHC-1070	—	—	—	—	—
1.812 – 1.938	RSR-6731	—	CGB-6915	SHC-1071	—	—	DBZM-6830	—	2575
1.938 – 2.062	RSR-6733	CG-165200	—	SHC-1072*	—	—	—	—	—
2.062 – 2.188	RSR-6735	—	CGB-6917	SHC-1073*	—	—	—	—	2577*
2.188 – 2.312	RSR-6737	—	—	SHC-1074*	—	—	—	—	—
2.312 – 2.438	RSR-6739	—	CGB-6920	SHC-1075*	—	—	—	—	—
<b>2 1/2"</b>									
1.688 – 1.812	RSR-729	—	—	SHC-1076	—	SR-25018	—	—	—
1.812 – 1.938	RSR-731	—	CGB7915	SHC-1077	—	—	DBZM-7932	—	2584
1.938 – 2.062	RSR-733	—	—	SHC-1078	—	SR-25021	—	—	2585
2.062 – 2.188	RSR-735	—	—	SHC-1079	—	SR-25021	DBZM-7934	—	—
2.188 – 2.312	RSR-737	CG-200250	—	SHC-1080	—	—	DBZM-7936	—	2586
2.312 – 2.438	RSR-739	CG-225250	—	SHC-1081	—	SR-25024	DBZM-7938	—	2587
<b>3"</b>									
1.688 – 1.812	RSR-8729	—	—	SHC-1086	—	—	—	—	—
1.812 – 1.938	RSR-8731	—	—	SHC-1087	—	SR-30018	DBZM-8932	—	—
1.938 – 2.062	RSR-8733	—	—	SHC-1088	—	—	—	—	—
2.062 – 2.188	RSR-8735	—	—	SHC-1089	—	SR-30021	DBZM-8934	—	—
2.188 – 2.312	RSR-8737	—	—	SHC-1090	—	SR-30021	DBZM-8936	—	2592
2.312 – 2.438	RSR-8739	—	—	SHC-1091	—	SR-30024	DBZM-8938	—	—

\*The cable may have to be stripped to pass through the bore of the body.

TUFF-SEAL  
CROSS REFERENCE

TUFF-LINK  
CROSS REFERENCE

MINI-LINK OLD / NEW  
PART NUMBERS

ALPHA NUMERIC  
INDEX





# RSR STRAIGHT CORD GRIPS CROSS REFERENCE

WITH MESH GRIP

Cable Range	Remke	(Bryant) Economy	Pass & Seymour Slater/Flexcor	(Hubbell) Kellems	Woodhead	Pyle-National
<b>1/2"</b>						
.250 – .312	RSR-105-E	DCG25-1/2"	CG-405	074-01-006	36251	DBKM-1205
.312 – .375	RSR-106-E	DCG25-1/2"	CG-406	074-01-006	36252	DBKM-1206
.375 – .438	RSR-107-E	DCG37-1/2"	CG-407	074-01-008	36253	DBKM-1207
.438 – .500	RSR-108-E	DCG37-1/2"	CG-408	074-01-008	36254	DBKM-1208
.500 – .625	RSR-110-E	DCG50-1/2"	CG-410	074-01-010	36256	DBKM-1210
.562 – .688	RSR-1211-E	DCG50-1/2"	CG-409	074-01-010	36256	DBKM-1311
.625 – .750	RSR-1212-E	—	—	074-01-1247	—	DBKM-1312
<b>3/4"</b>						
.250 – .312	RSR-2105-E	DCG25-3/4"	CG-606	074-01-013	36257	DBKM-2205
.312 – .375	RSR-2106-E	DCG25-3/4"	CG-606	074-01-013	36257	DBKM-2206
.375 – .438	RSR-2107-E	DCG37-3/4"	CG-607	074-01-015	36259	DBKM-2207
.438 – .500	RSR-2108-E	DCG37-3/4"	CG-607	074-01-015	36259	DBKM-2208
.438 – .562	RSR-209-E	DCG50-3/4"	CG-609	074-01-017	36260	DBKM-2209
.500 – .625	RSR-210-E	DCG50-3/4"	CG-610	074-01-017	36261	DBKM-2210
.562 – .688	RSR-211-E	DCG62-3/4"	CG-611	074-01-018	36262	DBKM-2311
.625 – .750	RSR-212-E	DCG62-3/4"	CG-612	074-01-018	36263	DBKM-2312
.750 – .875	RSR-2314-E	—	—	074-01-1249	—	DBKM-2514
.812 – .938	RSR-2315-E	—	—	—	—	DBKM-2516
<b>1"</b>						
.438 – .562	RSR-309-E	—	—	—	—	DBKM-3308
.500 – .625	RSR-310-E	DCG50-1"	CG-809	074-01-019	36275	DBKM-3310
.562 – .688	RSR-311-E	DCG50-1"	CG-809	074-01-019	36275	DBKM-3311
.625 – .750	RSR-312-E	DCG62-1"	CG-811	074-01-021	36265	DBKM-3312
.688 – .812	RSR-313-E	DCG75-1"	CG-813	074-01-021	36266	DBKM-3513
.750 – .875	RSR-314-E	DCG75-1"	CG-814	074-01-023	36267	DBKM-3514
.812 – .938	RSR-315-E	DCG87-1"	CG-815	074-01-025	36268	DBKM-3515
.875 – 1.000	RSR-316-E	DCG87-1"	CG-816	074-01-025	36269	DBKM-3516
<b>1 1/4"</b>						
.875 – 1.000	RSR-416-E	DCG87-1 1/4"	CG-1016	074-01-026	36271	DBKM-4716-K
1.000 – 1.125	RSR-418-E	DCG100-1 1/4"	CG-1018	074-01-027	36272	DBKM-4718-K
1.125 – 1.250	RSR-420-E	DCG112-1 1/4"	CG-1020	074-01-028	36273	DBKM-4720-K
1.250 – 1.375	RSR-422-E	DCG125-1 1/4"	CG-1022	074-01-1178	36274	DBKM-4722-K
<b>1 1/2"</b>						
.875 – 1.000	RSR-516-E	DCG87-1 1/2"	—	074-01-029	36475	DBKM-5716-K
1.000 – 1.125	RSR-518-E	DCG100-1 1/2"	CG-1218	074-01-030	36476	DBKM-5718-K
1.125 – 1.250	RSR-520-E	DCG112-1 1/2"	CG-1220	074-01-031	36477	DBKM-5720-K
1.250 – 1.375	RSR-522-E	DCG125-1 1/2"	CG-1222	074-01-032	36478	DBKM-5722-K
<b>2"</b>						
1.438 – 1.562	RSR-625-E	DCG137-2"	—	074-01-033	36485	DBKM-6824-K
1.562 – 1.688	RSR-627-E	DCG150-2"	—	074-01-034	36486	DBKM-6826-K
1.688 – 1.812	RSR-6729-E	—	—	074-01-035	36487	—
1.812 – 1.938	RSR-6731-E	—	—	074-01-1261	36489	—
1.938 – 2.062	RSR-6733-E	—	—	074-01-1262	36816	—
2.062 – 2.188	RSR-6735-E	—	—	074-01-1263	36287	—
2.188 – 2.312	RSR-6737-E	—	—	074-01-1264	36288	—
2.312 – 2.438	RSR-6739-E	—	—	074-01-1265	36289	—
<b>2 1/2"</b>						
1.688 – 1.812	RSR-729-E	—	—	074-01-1030	36800	—
1.812 – 1.938	RSR-731-E	—	—	074-01-1031	36801	DBKM-7932-K
1.938 – 2.062	RSR-733-E	—	—	074-01-1032	36802	DBKM-7932-K
2.062 – 2.188	RSR-735-E	—	—	074-01-1033	36803	DBKM-7934-K
2.188 – 2.312	RSR-737-E	—	—	074-01-1034	36804	DBKM-7931-K
2.312 – 2.438	RSR-739-E	—	—	074-01-1266	36805	—
<b>3"</b>						
1.688 – 1.812	RSR-8729-E	—	—	—	36806	—
1.812 – 1.938	RSR-8731-E	—	—	—	36807	—
1.938 – 2.062	RSR-8733-E	—	—	074-01-1036	36808	—
2.062 – 2.188	RSR-8735-E	—	—	074-01-1037	36809	—
2.188 – 2.312	RSR-8737-E	—	—	074-01-1038	36810	—
2.312 – 2.438	RSR-8739-E	—	—	074-01-1039	36811	—

\*The cable may have to be stripped to pass through the bore of the body.



# RSR 90° CORD GRIPS CROSS REFERENCE

## WITHOUT MESH GRIP

Cable Range	Remke	Appleton	(Hubbell) Kellems	Pyle-National
<b>3/8"</b>				
.125 – 0.188	RSR-9003	CG90-1238	NHC-1008	DB-431690
.188 – 0.25	RSR-9004	CG90-1838	NHC-1009	DB-41490
.250 – 0.312	RSR-9005	CG90-1838	NHC-1010	DB-451690
.312 – 0.375	RSR-9006	CG90-3138	NHC-1011	DB-43890
.375 – 0.438	RSR-9007	CG90-3138	NHC-1012	DB-490

Cable Range	Remke 1.16"O.D.	Remke .88"O.D.	Appleton	(Hubbell) Kellems	Killark	OZ Gedney	Pyle- National	Raco	Thomas & Betts	Crouse Hinds
<b>1/2"</b>										
.125 – 0.188	RSR-9103	RSR-91003	CG90-1250	NHC-1020	ZX690	SR9-502	DB-790	3792-1	2267	CGE-192
.188 – 0.25	RSR-9104	RSR-91004	CG90-1250	NHC-1021	ZX790	SR9-503	DB-790	3792-1	2267	CGE-192
.250 – 0.312	RSR-9105	RSR-91005	CG90-2550	NHC-1022	ZX890	SR9-503	DB-9590	3792-2	2268	CGE-193
.312 – 0.375	RSR-9106	RSR-91006	CG90-2550	NHC-1022	ZX890	SR9-504	DB-890	3792-2	2268	CGE-193
.375 – 0.438	RSR-9107	RSR-91007	CG90-3750	NHC-1023	ZX990	SR9-504	DB-9790	3792-3	2269	CGE-194
.438 – 0.5	RSR-9108	—	CG90-3750	NHC-1023	ZX990	SR9-505	DB-990	3792-4	2270	CGE-194
.500 – 0.562	RSR-9109	—	CG90-5050	NHC-1024	ZX1090	SR9-505	DB-9990	3792-6	2250	CGE-195
.562 – 0.625	RSR-9110	—	CG90-5050	NHC-1024	ZX1090	SR9-506	DB-1090	3792-6	2250	CGE-195

Cable Range	Remke	Appleton	(Hubbell) Kellems	Killark	O.Z./Gedney	Pyle-National	Raco	Thomas & Betts	Crouse Hinds
<b>3/4"</b>									
.438 – 0.562	RSR-9209	CG90-3775	NHC-1035	ZA890	SR9-755	DB-111290	3793-2	2272	CGE294
.500 – 0.625	RSR-9210	CG90-5075	NHC-1035	ZA990	SR9-756	DB-1191690	3793-3	2273	CGE295
.562 – 0.688	RSR-9211	CG90-5075	NHC-1036	ZA990	SR9-756	DB-115890	3793-3	2283	CGE296
.625 – 0.750	RSR-9212	CG90-6275	NHC-1036	ZA1090	SR9-757	DB-11111690	3793-4	2284	CGE296
.688 – 0.812	RSR-9213	CG90-6275	NHC-1037	ZA1090	SR9-758	DB-1190	3793-4	2284	CGE297
<b>1"</b>									
.438 – 0.562	RSR-9309	—	NHC-1039	—	—	—	—	2554	—
.500 – 0.625	RSR-9310	—	NHC-1040	—	SR9-1006	—	—	2255	—
.562 – 0.688	RSR-9311	—	NHC-1040	—	SR9-1006	—	—	2255	—
.625 – 0.750	RSR-9312	CG90-62100	NHC-1041	—	SR9-1007	—	3794-1	2256	CG90-62100
.688 – 0.812	RSR-9313	CG90-62100	NHC-1041	—	SR9-1007	DB-141390	—	2256	CG90-62100
.750 – 0.875	RSR-9314	CG90-75100	NHC-1042	—	SR9-1008	DB-147890	3794-2	2275	CG90-75100
.812 – 0.938	RSR-9315	CG90-87100	NHC-1043	—	SR9-10010	DB-14151690	3794-3	2276	CG90-87100
<b>1 1/4"</b>									
.750 – 0.875	RSR-9414	CG90-75125	NHC-1050	—	—	DBZL-4714	—	—	—
.875 – 1.000	RSR-9416	CG90-87125	NHC-1051	—	SR9-12510	DBZL-4716	3795-1	2277	CGE498
1.000 – 1.125	RSR-9418	CG90-100125	NHC-1052	—	SR9-12512	DBZL-4718	—	2278	CGE499
1.125 – 1.250	RSR-9420	CG90-112125	NHC-1053	—	SR9-12512	DBZL-4720	—	2279	CGE499
1.250 – 1.375	RSR-9422	CG90-125125	NHC-1054	—	—	DBZL-4722	—	2279	CGE-4911
<b>1 1/2"</b>									
.750 – 0.875	RSR-9514	—	NHC-1055	—	—	—	—	2281	—
.875 – 1.000	RSR-9516	—	NHC-1056	—	—	—	—	2281	—
1.000 – 1.125	RSR-9518	—	NHC-1057	—	SR9-15012	—	—	2282	—
1.125 – 1.250	RSR-9520	—	NHC-1058	—	SR9-15012	—	—	2283	—
1.250 – 1.375	RSR-9522	—	NHC-1059	—	SR9-15014	—	—	2283	—
<b>2"</b>									
1.250 – 1.375	RSR-9622	—	NHC-1065	—	SR9-20014	—	—	2284	—
1.438 – 1.562	RSR-9625	—	NHC-1066	—	SR9-20016	DBZL-6824	—	2285	—
1.562 – 1.688	RSR-9627	—	NHC-1067	—	SR9-20016	DBZL-6826	—	2285	—
1.688 – 1.812	RSR-9629	—	NHC-1068	—	SR9-20018	DBZL-6828	—	2286	—

TUFF-SEAL  
CROSS REFERENCE

TUFF-LINK  
CROSS REFERENCE

MINI-LINK OLD / NEW  
PART NUMBERS

ALPHA NUMERIC  
INDEX





# RSR 90° CORD GRIPS CROSS REFERENCE

## WITH MESH GRIP

Cable Range	Remke	(Hubbell) Kellems	Pyle-National	Pass & Seymour Slater/Flexcor	Woodhead
<b>3/8"</b>					
.188 – 0.250	RSR-9004-E	—	—	—	36496
.250 – 0.312	RSR-9005-E	074-01-071	—	—	36436
.312 – 0.375	RSR-9006-E	074-01-072	—	—	36437
.375 – 0.438	RSR-9007-E	074-01-073	—	—	36438
<b>1/2"</b>					
.188 – 0.250	RSR-9104-E	074-01-074	DBKL-1205	—	36340
.250 – 0.312	RSR-9105-E	074-01-076	DBKL-1206	CG405-90	36341
.312 – 0.375	RSR-9106-E	074-01-076	DBKL-1207	CG406-90	36342
.375 – 0.438	RSR-9107-E	074-01-078	DBKL-1208	CG407-90	36343
.438 – 0.500	RSR-9108-E	074-01-078	DBKL-1209	CG408-90	36344
.500 – 0.562	RSR-9109-E	074-01-080	DBKL-1210	CG409-90	36345
.562 – 0.625	RSR-9110-E	074-01-080	DBKL-1210	CG410-90	36346
<b>3/4"</b>					
.438 – 0.562	RSR-9209-E	074-01-081	DBKL-2308	—	36349
.500 – 0.625	RSR-9210-E	074-01-083	DBKL-2309	CG609-90	36350
.562 – 0.688	RSR-9211-E	074-01-083	DBKL-2310	CG610-90	36351
.625 – 0.750	RSR-9212-E	074-01-084	DBKL-2311	CG611-90	36352
.688 – 0.812	RSR-9213-E	074-01-084	DBKL-2312	CG612-90	36353
<b>1"</b>					
.438 – 0.562	RSR-9309-E	074-01-1197	—	—	—
.500 – 0.625	RSR-9310-E	074-01-085	—	—	—
.562 – 0.688	RSR-9311-E	074-01-085	—	—	36354
.625 – 0.750	RSR-9312-E	074-01-087	—	—	36355
.688 – 0.812	RSR-9313-E	074-01-087	DBKL-3512	CG813-90	36356
.750 – 0.875	RSR-9314-E	074-01-089	DBKL-3513	CG814-90	36358
.812 – 0.938	RSR-9315-E	074-01-089	DBKL-3514	CG815-90	36359
<b>1 1/4"</b>					
.875 – 1.000	RSR-9416-E	074-01-138	DBZL-4716-K	—	36361
1.000 – 1.125	RSR-9418-E	074-01-108	DBZL-4718-K	CG1018-90	36362
1.125 – 1.25	RSR-9420-E	074-01-1042	DBZL-4720-K	CG1020-90	36363
1.250 – 1.375	RSR-9422-E	074-01-1043	DBZL-4722-K	CG1022-90	36364
<b>1 1/2"</b>					
.875 – 1.000	RSR-9516-E	074-01-1044	—	—	36470
1.000 – 1.125	RSR-9518-E	074-01-1045	—	CG1218-90	36471
1.125 – 1.250	RSR-9520-E	074-01-1046	—	CG1220-90	36472
1.250 – 1.375	RSR-9522-E	074-01-1047	—	CG1222-90	36473
<b>2"</b>					
1.438 – 1.562	RSR-9625-E	074-01-1244	DBZL-6824-K	—	36497
1.562 – 1.688	RSR-9627-E	074-01-1245	DBZL-6826-K	—	36498
1.688 – 1.812	RSR-9629-E	074-01-1246	DBZL-6828-K	—	36499



# RSR 45° CORD GRIPS CROSS REFERENCE

## WITHOUT MESH GRIP

Cable Range	Remke	Crouse Hinds	(Hubbell) Kellems	Killark	O.Z./Gedney	Pyle-National	Raco	Thomas & Betts
<b>1/2"</b>								
.125 – 0.188	RSR-45103	CGD192	VHC-1020	ZX645	—	DB-745	3742-1	2200
.188 – 0.250	RSR-45104	CGD192	VHC-1021	ZX745	—	DB-745	3742-1	2200
.250 – 0.312	RSR-45105	CGD193	VHC-1022	ZX845	SR4-503	DB-9545	3742-2	2201
.312 – 0.375	RSR-45106	CGD193	VHC-1022	ZX845	SR4-504	DB-845	3742-2	2201
.375 – 0.438	RSR-45107	CGD194	VHC-1023	ZX945	SR4-504	DB-9745	3742-3	2202
.438 – 0.500	RSR-45108	CGD194	VHC-1023	ZX945	SR4-505	DB-945	3742-3	2203
.500 – 0.562	RSR-45109	CGD195	VHC-1024	ZX1045	—	DB-9945	3742-6	2204
.562 – 0.625	RSR-45110	CGD195	VHC-1024	ZX1045	—	DB-1045	3742-6	2204
<b>3/4"</b>								
.438 – 0.562	RSR-45209	CGD295	VHC-1035	ZA845	SR4-755	DB-1191645	3743-2	2208
.500 – 0.625	RSR-45210	CGD295	VHC-1036	ZA945	SR4-756	DB-115845	3743-3	2209
.562 – 0.688	RSR-45211	CGD296	VHC-1037	ZA1045	SR4-756	DB-11111645	3743-4	2210
.625 – 0.750	RSR-45212	CGD296	VHC-1037	ZA1045	SR4-757	DB-1145	3743-5	2210
.688 – 0.812	RSR-45213	CGD297	VHC-1038	—	SR4-757	—	3743-5	2211
<b>1"</b>								
.500 – 0.562	RSR-45309	—	VHC-1039	—	—	—	—	2213
.500 – 0.625	RSR-45310	CGD395	VHC-1040	—	—	—	—	2214
.562 – 0.688	RSR-45311	CGD395	VHC-1040	—	—	—	—	2214
.625 – 0.750	RSR-45312	CGD396	VHC-1041	—	SR4-1007	—	3744-1	2215
.688 – 0.812	RSR-45313	CGD396	VHC-1041	—	SR4-1008	DB-141345	3744-2	2215
.750 – 0.875	RSR-45314	CGD397	VHC-1042	—	SR4-1009	DB-147845	3744-2	2216
.812 – 0.938	RSR-45315	CGD398	VHC-1043	—	SR4-10010	DB-1445	3744-3	2218
<b>1 1/4"</b>								
.750 – 0.875	RSR-45414	—	VHC-1050	—	—	—	—	—
.875 – 1.000	RSR-45416	CGD498	VHC-1051	—	—	—	—	2220
1.000 – 1.125	RSR-45418	CGD499	VHC-1052	—	—	—	—	2221
1.125 – 1.250	RSR-45420	CGD4911	VHC-1053	—	—	—	—	2221
1.250 – 1.375	RSR-45422	CGD4911	VHC-1054	—	—	—	—	2222
<b>1 1/2"</b>								
.750 – 0.875	RSR-45514	—	—	—	—	—	—	—
.875 – 1.000	RSR-45516	—	VHC-1056	—	—	—	—	—
1.000 – 1.125	RSR-45518	—	VHC-1057	—	—	—	—	—
1.125 – 1.250	RSR-45520	—	VHC-1058	—	—	—	—	—
1.250 – 1.375	RSR-45522	CGD5913	VHC-1059	—	—	—	—	—

## WITH MESH GRIP

Cable Range	Remke	(Hubbell) Kellems	Pyle-National	Pass & Seymour Slater/Flexcor	Woodhead
<b>1/2"</b>					
.188 – 0.250	RSR-45104-E	074-01-1235	DBKA-1205	—	36310
.250 – 0.312	RSR-45105-E	074-01-1236	DBKA-1205	—	36311
.312 – 0.375	RSR-45106-E	074-01-1236	DBKA-1206	—	36312
.375 – 0.438	RSR-45107-E	074-01-1021	DBKA-1207	CG407-45	35313
.438 – 0.500	RSR-45108-E	074-01-1021	DBKA-1208	CG408-45	36314
.500 – 0.562	RSR-45109-E	074-01-1237	DBKA-1209	CG409-45	36315
.562 – 0.625	RSR-45110-E	074-01-1237	DBKA-1210	CG410-45	36316
<b>3/4"</b>					
.438 – 0.562	RSR-45209-E	074-01-1238	DBKA-2308	—	36319
.500 – 0.625	RSR-45210-E	074-01-1049	DBKA-2309	CG609-45	36320
.562 – 0.688	RSR-45211-E	074-01-1051	DBKA-2311	CG611-45	36322
.625 – 0.750	RSR-45212-E	074-01-1051	DBKA-2312	CG612-45	36323
.688 – 0.812	RSR-45213-E	074-01-1239	—	—	—
<b>1"</b>					
.500 – 0.562	RSR-45309-E	—	—	—	—
.500 – 0.625	RSR-45310-E	074-01-1053	—	—	—
.562 – 0.688	RSR-45311-E	074-01-1053	—	—	36325
.625 – 0.750	RSR-45312-E	074-01-1055	—	—	36326
.688 – 0.812	RSR-45313-E	074-01-1055	DBKA-3512	CG813-45	36327
.750 – 0.875	RSR-45314-E	074-01-1057	DBKA-3513	CG814-45	36328
.812 – 0.938	RSR-45315-E	074-01-1199	DBKA-3515	CG815-45	36329
<b>1 1/4"</b>					
.875 – 1.000	RSR-45416-E	074-01-1022	—	—	36332
1.000 – 1.125	RSR-45418-E	074-01-1059	—	CG1018-45	36333
1.125 – 1.250	RSR-45420-E	074-01-1060	—	CG1020-45	36334
1.250 – 1.375	RSR-45422-E	074-01-1061	—	CG1022-45	36335
<b>1 1/2"</b>					
.875 – 1	RSR-45516-E	074-01-1062	—	—	36465
1.000 – 1.125	RSR-45518-E	074-01-1063	—	—	36466
1.125 – 1.25	RSR-45520-E	074-01-1064	—	—	36467
1.250 – 1.375	RSR-45522-E	074-01-1065	—	—	36468

TUFF-SEAL  
CROSS REFERENCE

TUFF-LINK  
CROSS REFERENCE

MINI-LINK OLD / NEW  
PART NUMBERS

ALPHA NUMERIC  
INDEX





# RSRS AND RSSS CORD GRIPS CROSS REFERENCE

## RSRS STEEL CORD GRIPS CROSS REFERENCE

Cable Range	Remke*	Appleton	(Hubbell) Kellems
<b>3/8"</b>			
.125 – .188	RSRS-003	CG-1238-S	SHC-1008-ZP
.188 – .250	RSRS-004	CG-1838-S	SHC-1009-ZP
.250 – .312	RSRS-005	CG-1838-S	SHC-1010-ZP
.312 – .375	RSRS-006	CG-3138-S	SHC-1011-ZP
.375 – .438	RSRS-007	CG-3138-S	SHC-1012-ZP
<b>1/2"</b>			
.125 – .188	RSRS-103	CG-1250-S	SHC-1020-ZP
.188 – .250	RSRS-104	CG-1850-S	SHC-1021-ZP
.250 – .312	RSRS-105	CG-1850-S	SHC-1022-ZP
.312 – .375	RSRS-106	CG-3150-S	SHC-1022-ZP
.375 – .438	RSRS-107	CG-3150-S	SHC-1023-ZP
.438 – .500	RSRS-108	CG-3750-S	SHC-1023-ZP
.500 – .562	RSRS-109	CG-5050-S	SHC-1024-ZP
.562 – .625	RSRS-110	CG-5050-S	SHC-1024-ZP
<b>3/4"</b>			
.438 – .562	RSRS-209	CG-3775-S	SHC-1033-ZP
.500 – .625	RSRS-210	CG-5075-S	SHC-1034-ZP
.562 – .688	RSRS-211	CG-5075-S	SHC-1037-ZP
.625 – .750	RSRS-212	CG-6275-S	SHC-1038-ZP
.688 – .812	RSRS-213	CG-7575-S	SHC-1038-ZP
<b>1"</b>			
.438 – .562	RSRS-309	CG-50100-S	SHC-1097-ZP
.500 – .625	RSRS-310	CG-50100-S	SHC-1097-ZP
.562 – .688	RSRS-311	CG-62100-S	SHC-1097-ZP
.625 – .750	RSRS-312	CG-62100-S	SHC-1098-ZP
.688 – .812	RSRS-313	CG-75100-S	SHC-1099-ZP
.750 – .875	RSRS-314	CG-75100-S	SHC-1099-ZP
.812 – .938	RSRS-315	CG-87100-S	SHC-1043-ZP

\*Add suffix -E for Remke part number with mesh.

## RSSS STAINLESS STEEL CORD GRIPS CROSS REFERENCE

Cable Range	Remke	(Hubbell) Kellems	Appleton	Thomas & Betts
<b>3/8"</b>				
.125 – .188	RSSS-003	—	CG-1238SS	2919SST
.188 – .250	RSSS-004	SHC-1009-SS	CG-1838SS	2919SST
.250 – .312	RSSS-005	SHC-1010-SS	CG-2538SS	2919SST
.312 – .375	RSSS-006	SHC-1011-SS	CG-3138SS	NA
.375 – .438	RSSS-007	SHC-1012-SS	CG-3738SS	NA
<b>1/2"</b>				
.125 – .188	RSSS-103	SHC-1020-SS	CG-1250SS	2920SST
.188 – .250	RSSS-104	SHC-1021-SS	CG-1850SS	2920SST
.250 – .312	RSSS-105	SHC-1022-SS	CG-2550SS	2920SST
.312 – .375	RSSS-106	SHC-1022-SS	CG-3150SS	2920SST
.375 – .438	RSSS-107	SHC-1023-SS	CG-3750SS	2921SST
.438 – .500	RSSS-108	SHC-1023-SS	CG-4350SS	2921SST
.500 – .562	RSSS-109	SHC-1024-SS	CG-5050SS	2921SST
.562 – .625	RSSS-110	SHC-1024-SS	CG-5650SS	2922SST
<b>3/4"</b>				
.438 – .500	RSSS-208	—	CG-4375SS	2931SST
.500 – .562	RSSS-209	—	CG-5075SS	2931SST
.500 – .625	RSSS-210	SHC-1036-SS	CG-5375SS	2932SST
.562 – .688	RSSS-211	—	CG-5675SS	2932SST
.625 – .750	RSSS-212	SHC-1037-SS	CG-6275SS	2932SST
.688 – .812	RSSS-213	SHC-1038-SS*	CG-6875SS	2932SST

NOTE: Larger Remke Stainless Steel Cord Grips cross to these competitors; Hubbell/Kellems - SCH-xxxx-SS Series; Appleton - CGxxxxSS Series; Thomas & Betts - xxxxSST Series. Please contact factory for more information.



# RSP NON-METALLIC CORD GRIPS CROSS REFERENCE

TUFF-SEAL  
CROSS REFERENCE

TUFF-LINK  
CROSS REFERENCE

MINI-LINK OLD / NEW  
PART NUMBERS

ALPHA NUMERIC  
INDEX

## STRAIGHT, WITHOUT MESH GRIP

Cable Range	Remke	(Hubbell) Kellems	Woodhead
<b>3/8"</b>			
.125 - .188	RSP-003	—	—
.188 - .250	RSP-004	—	—
.250 - .312	RSP-005	—	—
.312 - .375	RSP-006	—	—
.375 - .438	RSP-007	—	—
<b>1/2"</b>			
.125 - .188	RSP-103	SHC-1014-CR	5520
.188 - .250	RSP-104	SHC-1015-CR	5522
.250 - .312	RSP-105	SHC-1016-CR	5524
.312 - .375	RSP-106	SHC-1017-CR	5526
.375 - .438	RSP-107	SHC-1018-CR	5528
.438 - .500	RSP-108	SHC-1023-CR	5530
.500 - .562	RSP-109	SHC-1024-CR	5532*
.562 - .625	RSP-110*	SHC-1024-CR*	5534
<b>3/4"</b>			
.438 - .562	RSP-209	SHC-1036-CR	5536
.500 - .625	RSP-210	SHC-1036-CR	5538
.562 - .688	RSP-211	SHC-1037-CR	5540
.625 - .750	RSP-212	SHC-1037-CR	5542
.688 - .812	RSP-213*	SHC-1038-CR*	5544*

\*The Cable may have to be stripped to pass through the bore of the body.

## 90°, WITHOUT MESH GRIP

Cable Range	Remke	(Hubbell) Kellems	Woodhead
<b>1/2"</b>			
.125 - .188	RSP-9103	NHC-1020-CR	5521
.188 - .250	RSP-9104	NHC-1021-CR	5523
.250 - .312	RSP-9105	NHC-1022-CR	5525
.312 - .375	RSP-9106	NHC-1022-CR	5527
.375 - .438	RSP-9107	NHC-1023-CR	5529
.438 - .500	RSP-9108	NHC-1023-CR	5531
.500 - .562	RSP-9109	NHC-1024-CR	5533*
.562 - .625	RSP-9110*	NHC-1024-CR*	5535
<b>3/4"</b>			
.438 - .562	RSP-9209	NHC-1035-CR	5537
.500 - .625	RSP-9210	NHC-1036-CR	5539
.562 - .688	RSP-9211	—	5541
.625 - .750	RSP-9212	NHC-1037-CR	5543
.688 - .812	RSP-9213*	NHC-1038-CR*	5545*

\*The Cable may have to be stripped to pass through the bore of the body.

## 90°, WITH MESH GRIP

Cable Range	Remke	(Hubbell) Kellems	Woodhead
<b>1/2"</b>			
.125 - .188	RSP-9103-E	—	5521M
.188 - .250	RSP-9104-E	074-01-1345	5523M
.250 - .312	RSP-9105-E	074-01-1346	5525M
.312 - .375	RSP-9106-E	074-01-1346	5527M
.375 - .438	RSP-9107-E	074-01-1347	5529M
.438 - .500	RSP-9108-E	074-01-1347	5531M
.500 - .562	RSP-9109-E	074-01-1348*	5533M*
.562 - .625	RSP-9110-E*	074-01-1348*	5535M*
<b>3/4"</b>			
.438 - .562	RSP-9209-E	074-01-1349	5537M
.500 - .625	RSP-9210-E	074-01-1350	5539M
.562 - .688	RSP-9211-E	—	5541M
.625 - .750	RSP-9212-E	074-01-1351	5543M
.688 - .812	RSP-9213-E*	074-01-1352	5545M*

\*The Cable may have to be stripped to pass through the bore of the body.

## STRAIGHT, WITH MESH GRIP

Cable Range	Remke	(Hubbell) Kellems	Woodhead
<b>3/8"</b>			
.125 - .188	RSP-003-E	—	—
.188 - .250	RSP-004-E	—	—
.250 - .312	RSP-005-E	—	—
.312 - .375	RSP-006-E	—	—
.375 - .438	RSP-007-E	—	—
<b>1/2"</b>			
.125 - .188	RSP-103-E	—	—
.188 - .250	RSP-104-E	074-01-1479	5522M
.250 - .312	RSP-105-E	074-01-1480	5524M
.312 - .375	RSP-106-E	074-01-1481	5526M
.375 - .438	RSP-107-E	074-01-1482	5528M
.438 - .500	RSP-108-E	074-01-1333	5530M
.500 - .562	RSP-109-E	074-01-1334*	5532M*
.562 - .625	RSP-110-E*	074-01-1334*	5534M*
<b>3/4"</b>			
.438 - .562	RSP-209-E	074-01-1335	5536M
.500 - .625	RSP-210-E	074-01-1336	5538M
.562 - .688	RSP-211-E	074-01-1337	5540M
.625 - .750	RSP-212-E	074-01-1337	5542M
.688 - .812	RSP-213-E*	—	5544M*

\*The Cable may have to be stripped to pass through the bore of the body.





# DOME CAP CABLE GLANDS CROSS REFERENCE

## NON-METALLIC, ISO METRIC THREAD, GRAY

Cable Range	Remke	Olflex	Heyco	Sealcon
.39 - .55	RD20MA-GY	S1513	M4341	CD20MA-GY
.23 - .47	RD20MR-GY	S1613	M4339	CD20MR-GY
.51 - .70	RD25MA-GY	S1516	M4345	CD25MA-GY
.35 - .55	RD25MR-GY	S1616	M4343	CD25MR-GY
.70 - .98	RD32MA-GY	S1521	M4349	CD32MA-GY
.86 - 1.25	RD40MA-GY	S1529	M4353	CD40MA-GY

## NON-METALLIC, NPT/PG THREAD, BLACK

Cable Range	Remke	Olflex	Heyco	Sealcon
.15 - .31	RD09AA-BK	S2109	3210	CD09AA-BK
.07 - .24	RD09AR-BK	S2209	3446	CD09AR-BK
.19 - .39	RD09NA-BK	S2138	3228	CD09NA-BK
.12 - .28	RD09NR-BK	S2238	3458	CD09NR-BK
.19 - .39	RD11AA-BK	S2111	3213	CD11AA-BK
.12 - .28	RD11AR-BK	S2211	3448	CD11AR-BK
.23 - .47	RD13AA-BK	S2113	3216	CD13AA-BK
.19 - .35	RD13AR-BK	S2213	3216	CD13AR-BK
.23 - .47	RD13NA-BK	S2112	3231	CD13NA-BK
.19 - .35	RD13NR-BK	S2212	3231	CD13NR-BK
.39 - .55	RD16NA-BK	N/A	3200	CD16NA-BK
.27 - .47	RD16NR-BK	N/A	3200	CD16NR-BK
.39 - .56	RD16AA-BK	S2116	3219	CD16AA-BK
.27 - .47	RD16AR-BK	S2216	3219	CD16AR-BK
.51 - .71	RD21AA-BK	S2121	3222	CD21AA-BK
.35 - .63	RD21AR-BK	S2221	3454	CD21AR-BK
.51 - .71	RD21NA-BK	S2134	3234	CD21NA-BK
.35 - .63	RD21NR-BK	S2234	3460	CD21NR-BK
.70 - .98	RD29AA-BK	S2129	3225	CD29AA-BK
.47 - .79	RD29AR-BK	S2229	3225	CD29AR-BK
.70 - .98	RD29NA-BK	S2101	8437	CD29NA-BK
.47 - .79	RD29NR-BK	S2201	8439	CD29NR-BK

## NON-METALLIC, 90° NPT THREAD

Cable Range	Remke	Olflex	Heyco	Sealcon
.11 - .27	RE13NS	N/A	N/A	ED13NA-BK
.20 - .35	RE13NR	N/A	8564	ED13NR-BK

## NON-METALLIC, SPIRAL-FLEX, NPT/PG THREAD, BLACK

Cable Range	Remke	Olflex	Heyco	Sealcon
.15 - .32	RF09AA-BK	S2309	3240	CF09AA-BK
.07 - .20	RF09AR-BK	S2409	3466	CF09AR-BK
.20 - .39	RF09NA-BK	S2338	3254	CF09NA-BK
.12 - .28	RF09NR-BK	S2438	3474	CF09NR-BK
.19 - .39	RF11AA-BK	S2311	3243	CF11AA-BK
.11 - .28	RF11AR-BK	2411	3468	CF11AR-BK
.23 - .47	RF13AA-BK	N/A	3246	CF13AA-BK
.19 - .35	RF13AR-BK	N/A	3246	CF13AR-BK
.24 - .47	RF13NA-BK	N/A	3251	CF13NA-BK
.20 - .25	RF13NR-BK	N/A	3251	CF13NR-BK
.39 - .55	RF16NA-BK	N/A	3266	CF16NA-BK
.27 - .47	RF16NR-BK	N/A	3266	CF16NR-BK
.39 - .55	RF16AA-BK	N/A	3249	CF16AA-BK
.27 - .47	RF16AR-BK	N/A	3249	CF16AR-BK
.51 - .71	RF21AA-BK	S2321	3245	CF21AA-BK
.35 - .63	RF21AR-BK	S2432	3478	CF21AR-BK
.51 - .71	RF21NA-BK	S2334	3239	CF21NA-BK
.35 - .63	RF21NR-BK	S2434	3462	CF21NR-BK

## NON-METALLIC, NPT/PG THREAD, GRAY

Cable Range	Remke	Olflex	Heyco	Sealcon
.15 - .31	RD09AA-GY	S1109	3211	CD09AA-GY
.07 - .24	RD09AR-GY	S1211	3447	CD09AR-GY
.19 - .39	RD09NA-GY	S1138	3229	CD09NA-GY
.12 - .28	RD09NR-GY	S1238	3459	CD09NR-GY
.19 - .39	RD11AA-GY	S1111	3214	CD11AA-GY
.12 - .28	RD11AR-GY	S1211	3449	CD11AR-GY
.23 - .47	RD13AA-GY	S1113	3217	CD13AA-GY
.19 - .35	RD13AR-GY	S1213	3217	CD13AR-GY
.23 - .47	RD13NA-GY	S1112	3232	CD13NA-GY
.19 - .35	RD13NR-GY	S1212	3232	CD13NR-GY
.39 - .55	RD16NA-GY	N/A	3201	CD16NA-GY
.27 - .47	RD16NR-GY	N/A	3201	CD16NR-GY
.39 - .56	RD16AA-GY	S1116	3220	CD16AA-GY
.27 - .47	RD16AR-GY	S1216	3220	CD16AR-GY
.51 - .71	RD21AA-GY	S1121	3223	CD21AA-GY
.35 - .63	RD21AR-GY	S1221	3455	CD21AR-GY
.51 - .71	RD21NA-GY	S1134	3235	CD21NA-GY
.35 - .63	RD21NR-GY	S1234	3461	CD21NR-GY
.70 - .98	RD29AA-GY	S1129	3226	CD29AA-GY
.47 - .79	RD29AR-GY	S1229	3226	CD29AR-GY
.70 - .98	RD29NA-GY	S1101	8438	CD29NA-GY
.47 - .79	RD29NR-GY	S1201	8440	CD29NR-GY

## NICKEL-PLATED BRASS, NPT/PG THREAD

Cable Range	Remke	Olflex	Heyco	Sealcon
.16 - .31	BR09AA	—	52015710	CD09AA-BR
.16 - .31	BR09NA	—	53112014	CD09NA-BR
.20 - .39	BR11AA	—	52015720	CD11AA-BR
.24 - .47	BR13AA	—	5201-5730	CD13AA-BR
.24 - .47	BR13NA	—	53112024	CD13NA-BR
.39 - .56	BR16AA	—	52015740	CD16AA-BR
.51 - .71	BR21AA	—	52015750	CD21AA-BR
.51 - .71	BR21NA	—	—	CD21NA-BR
.71 - .98	BR29AA	—	52015760	CD29AA-BR

## NICKEL-PLATED BRASS, ISO METRIC THREAD

Cable Range	Remke	Olflex	Heyco	Sealcon
.19 - .39	BRM16AA	—	53112010	CD16AA-BR
.11 - .28	BRM16AR	—	—	CD16AR-BR
.23 - .47	BRM20AA	—	53112020	CD20AA-BR
.19 - .35	BRM20AR	—	—	CD20AR-BR
.51 - .71	BRM25AA	—	—	CD25AA-BR
.35 - .63	BRM25AR	—	53112030	CD25AR-BR
.70 - .98	BRM32AA	—	—	CD32AA-BR
.51 - .79	BRM32AR	—	53112040	CD32AR-BR
.71 - 1.26	BRM40AA	—	—	CD40AA-BR
.51 - 1.02	BRM40AR	—	53112050	CD40AR-BR
1.18 - 1.50	BRM50AA	—	53112060	CD50AA-BR
.98 - 1.22	BRM50AR	—	—	CD50AR-BR

## NON-METALLIC, ISO METRIC THREAD, BLACK

Cable Range	Remke	Olflex	Heyco	Sealcon
.39 - .55	RD20MA-BK	S2513	M4340	CD20MA-BK
.23 - .47	RD20MR-BK	S2613	M4338	CD20MR-BK
.51 - .70	RD25MA-BK	S2516	M4344	CD25MA-BK
.35 - .55	RD25MR-BK	S2616	M4342	CD25MR-BK
.70 - .98	RD32MA-BK	S2521	M4348	CD32MA-BK
.86 - 1.25	RD40MA-BK	S2529	M4352	CD40MA-BK





# MC CABLE CONNECTORS CROSS REFERENCE

TUFF-SEAL  
CROSS REFERENCE

TUFF-LINK  
CROSS REFERENCE

MINI-LINK OLD / NEW  
PART NUMBERS

ALPHA NUMERIC  
INDEX

## STRAIGHT, NONINSULATED STANDARD MC CABLE CONNECTORS

Remke "RTK"	Thomas & Betts "ST"	Crouse Hinds "TECK"	Appleton "TMC"	OZ/Gedney "MCJ"	O.Z./Gedney "JMC"	OZ/Gedney "TN"	Adalet PLM "JAG"
RTK-050-1	ST050-462	TECK050-1	TMC5076	MCJ-50-63	—	TN-50-65	JAG 65-05
RTK-050-2	ST050-464	TECK050-2	TMC5076	MCJ-50-75	JMC-50-76	TN-50-80	JAG 75-05
RTK-050-3	ST050-465	TECK050-3	TMC5099	MCJ-50-88	JMC-50-99	TN-50-80	JAG 85-05
RTK-050-4	ST050-466	TECK050-4	TMC5099	MCJ-75-97	JMC-50-99	TN-75-95	JAG 95-05
RTK-075-5	ST075-467	TECK075-5	TMC75121	MCJ-75-111	JMC-75-121	TN-75-110	JAG 107-07
RTK-075-6	ST075-468	TECK075-6	TMC75121	MCJ-100-119	JMC-75-121	TN-100-125	JAG 121-07
RTK-100-7	ST100-469	TECK100-7	TMC100138	MCJ-100-136	JMC-100-138	TN-100-143	JAG 138-10
RTK-125-8	ST125-470	TECK125-8	TMC125163	MCJ-125-156	JMC-125-163	TN-100-143	JAG 138-12
RTK-125-9	ST125-550	TECK125-9	TMC125163	MCJ-125-156	JMC-125-163	—	JAG 156-12
RTK-125-10	ST125-471	TECK125-10	TMC125188	MCJ-125-175	JMC-125-188	—	JAG 174-12
RTK-150-11	ST150-472	TECK150-11	TMC125188	MCJ-150-198	JMC-125-188	—	JAG 188-15
RTK-150-12	ST150-472	TECK150-11	TMC150200	MCJ-150-198	JMC-150-200	—	JAG 200-15
RTK-150-13	ST150-473	TECK150-12	TMC150220	MCJ-200-222	JMC-150-220	—	JAG 218-15
RTK-200-14	ST200-551	TECK200-13	TMC150220	MCJ-200-222	JMC-150-220	—	JAG 236-20
RTK-200-15	ST200-551	TECK200-13	TMC200238	MCJ-200-247	JMC-200-238	—	JAG 236-20
RTK-200-16	ST200-474	TECK200-14	TMC200275	MCJ-200-247	JMC-200-275	—	JAG 247-20
RTK-200-17	ST200-474	TECK200-14	TMC200275	—	JMC-200-275	—	JAG 261-20
RTK-200-18	ST200-475	TECK200-15	TMC200275	—	JMC-200-275	—	—

These crosses are suggested crosses only.

The Min./Max. "Over cable O.D.'s" are not exact from supplier to supplier.

It is suggested that a specific cable diameter be given for a more accurate cross.

CF=Consult Factory

## HAZARDOUS-DUTY MC CABLE CONNECTORS

Remke Catalog No.	Hub Size NPT	Appleton Series	T&B Series	Cooper Series
XTK-050-1	½"	TMCX050A	STX050	TMCX165
XTK-050-2	½"	TMCX050A	STX050	TMCX165
XTK-075-5	¾"	TMCX075A	STX075	TMCX285
XTK-075-6	¾"	TMCX075A	STX075	TMCX285
XTK-100-7	1"	TMCX100A	STX100	TMCX3112
XTK-125-8	1¼"	TMCX125A	STX125	TMCX4140
XTK-125-9	1¼"	TMCX125A	STX125	TMCX4140
XTK-125-10	1¼"	TMCX125A	STX125	TMCX4140
XTK-150-11	1½"	TMCX150A	STX150	TMCX5161
XTK-150-12	1½"	TMCX150A	STX150	TMCX5161
XTK-150-13	1½"	TMCX150A	STX150	TMCX5161
XTK-200-14	2"	TMCX200A	STX200	TMCX6206
XTK-200-15	2"	TMCX200A	STX200	TMCX6206

NOTE: The Min. / Max. "Cable Range Over Jacket" Are Not Exact From Supplier to Supplier Therefore Only the Product Series is Listed.

It is Suggested That A Specific Cable Diameter Be Given For A More Accurate Cross.





# LIQUA-SEAL® CONNECTORS CROSS REFERENCE

## STRAIGHT, NON-INSULATED

Conduit Size	Remke	Appleton	Crouse Hinds	O.Z./Gedney	(Hubbell) Kellems	Raco	Midwest	Thomas & Betts
3/8"	LMM-01	ST-38	LT38	4Q-38	H038	3401	LT-38	5231
1/2"	LMM-11	ST-50	LT50	4Q-50	H050	3402	LT-50	5232
3/4"	LMM-21	ST-75	LT75	4Q-75	H075	3403	LT-75	5233
1"	LMM-31	ST-100	LT100	4Q-100	H100	3404	LT-100	5234
1 1/4"	LMM-41	ST-125	LT125	4Q-125	H125	3405	LT-125	5235
1 1/2"	LMM-51	ST-150	LT150	4Q-150	H150	3406	LT-150	5236
2"	LMM-61	ST-200	LT200	4Q-200	H200	3408	LT-200	5237

## STRAIGHT, INSULATED THROAT

3/8"	LMM-02	STB-38	LTB38	4Q-38T	H0381	3511	LTB-38	5331
1/2"	LMM-12	STB-50	LTB50	4Q-50T	H0501	3512	LTB-50	5332
3/4"	LMM-22	STB-75	LTB75	4Q-75T	H0751	3513	LTB-75	5333
1"	LMM-32	STB-100	LTB100	4Q-100T	H1001	3514	LTB-100	5334
1 1/4"	LMM-42	STB-125	LTB125	4Q-125T	H1251	3515	LTB-125	5335
1 1/2"	LMM-52	STB-150	LTB150	4Q-150T	H1501	3516	LTB-150	5336
2"	LMM-62	STB-200	LTB200	4Q-200T	H2001	3518	LTB-200	5337

## 45°, NON-INSULATED

Conduit Size	Remke	Appleton	Crouse Hinds	O.Z./Gedney	(Hubbell) Kellems	Raco	Midwest	Thomas & Betts
3/8"	LMA-01	ST-4538	LT3845	4Q-438	H0384	3441	LT-3845	5241
1/2"	LMA-11	ST-4550	LT5045	4Q-450	H0504	3442	LT-5045	5242
3/4"	LMA-21	ST-4575	LT7545	4Q-475	H0754	3443	LT-7545	5243
1"	LMA-31	ST-45100	LT10045	4Q-4100	H1004	3444	LT-10045	5244
1 1/4"	LMA-41	ST-45125	LT12545	4Q-4125	H1254	3445	LT-12545	5245
1 1/2"	LMA-51	ST-45150	LT15045	4Q-4150	H1504	3446	LT-15045	5246
2"	LMA-61	ST-45200	LT20045	4Q-4200	H2004	3448	LT-20045	5247

## 45°, INSULATED THROAT

3/8"	LMA-02	STB-4538	LTB3845	4Q-438T	H03841	3561	LTB3845	5341
1/2"	LMA-12	STB-4550	LTB5045	4Q-450T	H05041	3562	LTB5045	5342
3/4"	LMA-22	STB-4575	LTB7545	4Q-475T	H07541	3563	LTB7545	5343
1"	LMA-32	STB-45100	LTB10045	4Q-4100T	H10041	3564	LTB10045	5344
1 1/4"	LMA-42	STB-45125	LTB12545	4Q-4125T	H12541	3565	LTB12545	5345
1 1/2"	LMA-52	STB-45150	LTB15045	4Q-4150T	H15041	3566	LTB15045	5346
2"	LMA-62	STB-45200	LTB20045	4Q-4200T	H20041	3568	LTB20045	5347

## 90°, NON-INSULATED

Conduit Size	Remke	Appleton	Crouse Hinds	O.Z./Gedney	(Hubbell) Kellems	Raco	Midwest	Thomas & Betts
3/8"	LML-01	ST-9038	LT3890	4Q-938	H0389	3421	LT-3890	5251
1/2"	LML-11	ST-9050	LT5090	4Q-950	H0509	3422	LT-5090	5252
3/4"	LML-21	ST-9075	LT7590	4Q-975	H0759	3423	LT-7590	5253
1"	LML-31	ST-90100	LT10090	4Q-9100	H1009	3424	LT-10090	5254
1 1/4"	LML-41	ST-90125	LT12590	4Q-9125	H1259	3425	LT-12590	5255
1 1/2"	LML-51	ST-90150	LT15090	4Q-9150	H1509	3426	LT-15090	5256
2"	LML-61	ST-90200	LT20090	4Q-9200	H2009	3428	LT-20090	5257

## 90°, INSULATED THROAT

3/8"	LML-02	STB-9038	LTB3890	4Q-938T	H03891	3541	LTB-3890	5351
1/2"	LML-12	STB-9050	LTB5090	4Q-950T	H05091	3542	LTB-5090	5352
3/4"	LML-22	STB-9075	LTB7590	4Q-975T	H07591	3543	LTB-7590	5353
1"	LML-32	STB-90100	LTB10090	4Q-9100T	H10091	3544	LTB-10090	5354
1 1/4"	LML-42	STB-90125	LTB12590	4Q-9125T	H12591	3545	LTB-12590	5355
1 1/2"	LML-52	STB-90150	LTB15090	4Q-9150T	H15091	3546	LTB-15090	5356
2"	LML-62	STB-90200	LTB20090	4Q-9200T	H20091	3548	LTB-20090	5357



# LIQUA-SEAL® CONNECTORS CROSS REFERENCE

## STRAIGHT WITH MESH, NON-INSULATED

Conduit Size	Remke	Appleton	(Hubbell) Kellems	Raco	Pass & Seymour Slater/Flexcor	(Bryant) Economy	Woodhead
3/8"	LMM-01-E	—	074-09-3401	3401-2	ST-38-SF	FC38	—
1/2	LMM-11-E	—	074-09-3402	3402-2	ST-50-SF	FC50	—
3/4	LMM-21-E	—	074-09-3403	3403-2	ST-75-SF	FC75	—
1	LMM-31-E	—	074-09-3404	3404-2	ST-100-SF	FC100	—
1 1/4	LMM-41-E	—	074-09-3405	3405-2	ST-125-SF	FC125	—
1 1/2	LMM-51-E	—	074-09-3406	3406-2	ST-150-SF	FC150	—
2	LMM-61-E	—	074-09-3408	3408-2	ST-200-SF	FC200	—

## STRAIGHT WITH MESH, INSULATED THROAT

3/8"	LMM-02-E	STB-38SR	074-09-3511	3511-2	STB-38SF	FC38IT	36440
1/2	LMM-12-E	STB-50SR	074-09-3512	3512-2	STB-50SF	FC50IT	36370
3/4	LMM-22-E	STB-75SR	074-09-3513	3513-2	STB-75SF	FC75IT	36371
1	LMM-32-E	STB-100SR	074-09-3514	3514-2	STB-100SF	FC100IT	36372
1 1/4	LMM-42-E	STB-125SR	074-09-3515	3515-2	STB-125SF	FC125IT	36373
1 1/2	LMM-52-E	STB-150SR	074-09-3516	3516-2	STB-150SF	FC150IT	36374
2	LMM-62-E	STB-200SR	074-09-3518	3518-2	STB-200SF	FC200IT	36375

## 45° WITH MESH, NON-INSULATED

Conduit Size	Remke	Appleton	(Hubbell) Kellems	Raco	Pass & Seymour Slater/Flexcor	(Bryant) Economy	Woodhead
3/8"	LMA-01-E	—	074-09-3441	3441-2	ST-4538SF	FC38-45	—
1/2	LMA-11-E	—	074-09-3442	3442-2	ST-4550SF	FC50-45	—
3/4	LMA-21-E	—	074-09-3443	3443-2	ST-4575SF	FC75-45	—
1	LMA-31-E	—	074-09-3444	3444-2	ST-45100SF	FC100-45	—
1 1/4	LMA-41-E	—	074-09-3445	3445-2	ST-45125SF	FC125-45	—
1 1/2	LMA-51-E	—	074-09-3446	3446-2	ST-45150SF	FC150-45	—
2	LMA-61-E	—	074-09-3448	3448-2	ST-45200SF	FC200-45	—

## 45° WITH MESH, INSULATED THROAT

3/8"	LMA-02-E	STB-4538SR	074-09-3561	3561-2	STB-4538SF	FC38-45IT	36442
1/2	LMA-12-E	STB-4550SR	074-09-3562	3562-2	STB-4550SF	FC50-45IT	36390
3/4	LMA-22-E	STB-4575SR	074-09-3563	3563-2	STB-4575SF	FC75-45IT	36391
1	LMA-32-E	STB-45100SR	074-09-3564	3564-2	STB-45100SF	FC100-45IT	36392
1 1/4	LMA-42-E	STB-45125SR	074-09-3565	3565-2	STB-45125SF	FC125-45IT	36393
1 1/2	LMA-52-E	STB-45150SR	074-09-3566	3566-2	STB-45150SF	FC150-45IT	36394
2	LMA-62-E	STB-45200SR	074-09-3568	3568-2	STB-45200SF	FC200-45IT	36395

## 90° WITH MESH, NON-INSULATED

Conduit Size	Remke	Appleton	(Hubbell) Kellems	Raco	Pass & Seymour Slater/Flexcor	(Bryant) Economy	Woodhead
3/8"	LML-01-E	—	074-09-3421	3421-2	ST-9038SF	FC38-90	—
1/2	LML-11-E	—	074-09-3422	3422-2	ST-9050SF	FC50-90	—
3/4	LML-21-E	—	074-09-3423	3423-2	ST-9075SF	FC75-90	—
1	LML-31-E	—	074-09-3424	3424-2	ST-90100SF	FC100-90	—
1 1/4	LML-41-E	—	074-09-3425	3425-2	ST-90125SF	FC125-90	—
1 1/2	LML-51-E	—	074-09-3426	3426-2	ST-90150SF	FC150-90	—
2	LML-61-E	—	074-09-3428	3428-2	ST-90200SF	FC200-90	—

## 90° WITH MESH, INSULATED THROAT

3/8"	LML-02-E	STB-9038SR	074-09-3541	3541-2	STB-9038SF	FC38-90IT	36443
1/2	LML-12-E	STB-9050SR	074-09-3542	3542-2	STB-9050SF	FC50-90IT	36400
3/4	LML-22-E	STB-9075SR	074-09-3543	3543-2	STB-9075SF	FC75-90IT	36401
1	LML-32-E	STB-90100SR	074-09-3544	3544-2	STB-90100SF	FC100-90IT	36402
1 1/4	LML-42-E	STB-90125SR	074-09-3545	3545-2	STB-90125SF	FC125-90IT	36403
1 1/2	LML-52-E	STB-90150SR	074-09-3546	3546-2	STB-90150SF	FC150-90IT	36404
2	LML-62-E	STB-90200SR	074-09-3548	3548-2	STB-90200SF	FC200-90IT	36405

TUFF-SEAL  
CROSS REFERENCE

TUFF-LINK  
CROSS REFERENCE

MINI-LINK OLD / NEW  
PART NUMBERS

ALPHA NUMERIC  
INDEX





# WH SERIES CONDUIT HUBS AND ALUMINUM LIQUIDTIGHT PRODUCTS CROSS REFERENCE

## ALUMINUM LIQUIDTIGHT PRODUCTS

Body	Size	Remke	Thomas and Betts	Crouse Hinds	Appleton
Straight	3/8"	ALMM-01	5231AL	LT38 SA	ST-38AL
Straight	1/2"	ALMM-11	5232AL	LT50 SA	ST-50AL
Straight	3/4"	ALMM-21	5233AL	LT75 SA	ST-75AL
Straight	1"	ALMM-31	5234AL	LT100 SA	ST-100AL
Straight	1 1/4"	ALMM-41	5235AL	LT125 SA	ST-125AL
Straight	1 1/2"	ALMM-51	5236AL	LT150 SA	ST-150AL
Straight	2"	ALMM-61	5237AL	LT200 SA	ST-200AL
90 Degree	3/8"	ALML-01	5251AL	LT3890 SA	ST-9038AL
90 Degree	1/2"	ALML-11	5252AL	LT5090 SA	ST-9050AL
90 Degree	3/4"	ALML-21	5253AL	LT7590 SA	ST-9075AL
90 Degree	1"	ALML-31	5254AL	LT10090 SA	ST-90100AL
90 Degree	1 1/4"	ALML-41	5255AL	LT12590 SA	ST-90125AL
90 Degree	1 1/2"	ALML-51	5256AL	LT15090 SA	ST-90150AL
90 Degree	2"	ALML-61	5257AL	LT20090 SA	ST-90200AL

## WATERTIGHT CONDUIT HUBS

Hub Size	Remke	Appleton	O.Z./Gedney	Myers	Thomas & Betts	Bridgeport
1/2"	WH-1	HUB-50	CH-50	ST-1	H050	151-DC
3/4"	WH-2	HUB-75	CH-75	ST-2	H075	152-DC
1"	WH-3	HUB-100	CH-100	ST-3	H100	153-DC
1 1/4"	WH-4	HUB-125	CH-125	ST-4	H125	154-DC
1 1/2"	WH-5	HUB-150	CH-150	ST-5	H150	155-DC
2"	WH-6	HUB-200	CH-200	ST-6	H200	156-DC
2 1/2"	WH-7	HUB-250	CH-250	ST-7	H250	157-DC
3"	WH-8	HUB-300	CH-300	ST-8	H300	158-DC
3 1/2"	WH-9	HUB-350	CH-350	ST-9	H350	159-DC
4"	WH-10	HUB-400	CH-400	ST-10	H400	160-DC
1/2"	WH-1-G	—	—	STG-1	—	—
3/4"	WH-2-G	—	—	STG-2	—	—
1"	WH-3-G	—	—	STG-3	—	—
1 1/4"	WH-4-G	—	—	STG-4	—	—
1 1/2"	WH-5-G	—	—	STG-5	—	—
2"	WH-6-G	—	—	STG-6	—	—



# WIRE MESH PRODUCTS CROSS REFERENCE

TUFF-SEAL  
CROSS REFERENCE

TUFF-LINK  
CROSS REFERENCE

MINI-LINK OLD / NEW  
PART NUMBERS

ALPHA NUMERIC  
INDEX

## STANDARD SUPPORT GRIPS, CLOSED MESH—DOUBLE EYE—SINGLE WEAVE

Cable Range	Remke	(Bryant) Economy	Pass & Seymour Slater/Flexcor	(Hubbell) Kellems	Woodhead
.50 – 0.62	2201-001	SPC050-DE	FC050-UU	022-01-001	35001
.63 – 0.74	2201-002	SPC062-DE	FC062-UU	022-01-002	35002
.75 – 0.99	2201-003	SPC075-DE	FC075-UU	022-01-003	35003
1.00 – 1.24	2201-004	SPC100-DE	FC100-UU	022-01-005	35004
1.25 – 1.49	2201-005	SPC125-DE	FC125-UU	022-01-006	35005
1.50 – 1.74	2201-006	SPC150-DE	FC150-UU	022-01-007	35006
1.75 – 1.99	2201-007	SPC175-DE	FC175-UU	022-01-008	35007
2.00 – 2.49	2201-008	SPC200-DE	FC200-UU	022-01-009	35008
2.50 – 2.99	2201-009	SPC250-DE	FC250-UU	022-01-010	35009
3.00 – 3.49	2201-010	SPC300-DE	FC300-UU	022-01-011	35010
3.50 – 3.99	2201-011	SPC350-DE	FC350-UU	022-01-012	35011

## STANDARD SUPPORT GRIPS, CLOSED MESH—SINGLE EYE—SINGLE WEAVE

Cable Range	Remke	(Bryant) Economy	Pass & Seymour Slater/Flexcor	(Hubbell) Kellems	Woodhead
.50 – 0.62	2201-013	SPC050-U	FC050-U	022-01-013	35030
.63 – 0.74	2201-014	SPC062-U	FC062-U	022-01-014	35031
.75 – 0.99	2201-015	SPC075-U	FC075-U	022-01-015	35032
1.00 – 1.24	2201-016	SPC100-U	FC100-U	022-01-017	35033
1.25 – 1.49	2201-017	SPC125-U	FC125-U	022-01-018	35034
1.50 – 1.74	2201-018	SPC150-U	FC150-U	022-01-019	35035
1.75 – 1.99	2201-019	SPC175-U	FC175-U	022-01-020	35036
2.00 – 2.49	2201-020	SPC200-U	FC200-U	022-01-021	35037
2.50 – 2.99	2201-021	SPC250-U	FC250-U	022-01-022	35038
3.00 – 3.49	2201-022	SPC300-U	FC300-U	022-01-023	35039
3.50 – 3.99	2201-023	SPC350-U	FC350-U	022-01-024	35040

## WIDE RANGE STRAIN RELIEF GRIPS, NON-INSULATED-NPT THREAD

Cable Range	Remke	(Bryant) Economy	Pass & Seymour Slater/Flexcor	(Hubbell) Kellems	Woodhead
.22 – 0.32	7303-001	BDSR25	BOX22	073-03-1200	—
.30 – 0.43	7303-002	BDSR37	BOX30	073-03-1201	—
.40 – 0.54	7303-003	BDSR50	BOX40	073-03-1202	—
.52 – 0.73	7303-004	BDSR62	BOX52	073-03-1203	—
.70 – 0.97	7303-005	BDSR87	BOX70	073-03-1204	—
.94 – 1.25	7303-006	BDSR100	BOX94	073-03-1205	—

## WIDE RANGE STRAIN RELIEF GRIPS, INSULATED BUSHING-NPS THREAD

Cable Range	Remke	(Bryant) Economy	Pass & Seymour Slater/Flexcor	(Hubbell) Kellems	Woodhead
.22 – 0.32	7303-008	BDSR25-B	BOX22	073-03-1206	36501
.30 – 0.43	7303-009	BDSR37-B	BOX30	073-03-1207	36503
.40 – 0.54	7303-010	BDSR-50-B	BOX40	073-03-1208	36505
.52 – 0.73	7303-011	BDSR-62-B	BOX52	073-03-1209	36508
.70 – 0.97	7303-012	BDSR-87-B	BOX70	073-03-1210	36512
.94 – 1.25	7303-013	BDSR-118-B	BOX94	073-03-1211	36515
1.20 – 1.5	7303-014	BDSR-125-B	BOX120	073-03-1212	36516
1.40 – 1.75	7303-015	BDSR-150-B	BOX140	073-03-1213	36517
1.62 – 2.00	7303-016	BDSR-175-B	—	073-03-1214	36518
2.00 – 2.45	7303-017	BDSR-200-B	—	073-03-1215	36519





# WIRE MESH PRODUCTS CROSS REFERENCE

## BUS DROP GRIPS, SINGLE EYE—WIDE RANGE

Cable Range	Remke	(Bryant) Economy	Pass & Seymour Slater/Flexcor	(Hubbell) Kellems	Woodhead
.22 – 0.32	7304-001	BDS25-U	FC22	073-04-1276	36560
.30 – 0.43	7304-002	BDS37-U	FC30	073-04-1277	36562
.41 – 0.56	7304-003	BDS50-U	FC40	073-04-1278	36564
.53 – 0.73	7304-004	BDS62-U	FC52	073-04-1279	36567
.70 – 0.85	7304-005	BDS75-U	FC70	073-04-1280	36569
.82 – 1.00	7304-006	BDS87-U	—	073-04-1281	36571
0.96 – 1.25	7304-007	BDS100-U/	FC94	073-04-1282	36574
—	—	BDS118-U	—	—	—

## BUS DROP GRIPS, UNIVERSAL BALE—WIDE RANGE

Cable Range	Remke	(Bryant) Economy	Pass & Seymour Slater/Flexcor	(Hubbell) Kellems	Woodhead
.22 – 0.32	7304-009	BDS25-H	FC22-LB	073-04-1283	36580
.30 – 0.43	7304-010	BDS37-H	FC30-LB	073-04-1284	36582
.41 – 0.56	7304-011	BDS50-H	FC40-LB	073-04-1285	36584
.53 – 0.73	7304-012	BDS62-H	FC52-LB	073-04-1286	36587
.70 – 0.85	7304-013	BDS75-H	FC70-LB	073-04-1287	36589
.82 – 1.00	7304-014	BDS87-H	—	073-04-1288	36591
.96 – 1.25	7304-015	BDS100-H	FC94-LB	073-04-1289	36594
—	—	BDS118-H	—	—	—

## BUS DROP SAFETY SPRINGS

Description	Remke	(Bryant) Economy	Pass & Seymour Slater/Flexcor	(Hubbell) Kellems	Woodhead
40 Lb. Spring	203-02-001	S-40	203-02-001	203-02-001	36237
80 Lb. Spring	203-02-002	S-80	203-02-002	203-02-002	36238



# MICRO-LINK SINGLE KEY FIELD WIREABLE CONNECTOR CROSS REFERENCE

Remke	Crouse-Hinds	Hirschmann	Lumberg	Murr	Turck	Molex/Brad
304AFW7	500018-91	933139-100	RKC 4/7	27600	B8141-0	8A4000-31
304AFW9	N/A	933169-100	RKC 4/9	27601	N/A	8A4000-32
304CFW7	N/A	933172-100	RKCW 4/7	27610	B8241-0	8A4001-31
304CFW9	N/A	993174-100	RKCW 4/9	27611	N/A	N/A
304EFW7	500018-93	933098-100	RSC 4/7	27605	BS8141-0	8A4006-31
304EFW9	N/A	933162-100	RSC 4/9	27606	N/A	8A4006-32
304FFW7	N/A	933165-100	RSCW 4/7	27615	BS8241-0	8A4007-31
304FFW9	N/A	933166-100	RSCW 4/9	27616	N/A	N/A
305AFW7	N/A	933170-100	RKC 5/7	27620	N/A	8A5000-31
305AFW9	N/A	933171-100	RKC 5/9	27621	B8151-0	8A5000-32
305CFW7	N/A	933175-100	RKCW 5/7	27630	N/A	8A5001-31
305CFW9	N/A	933176-100	RKCW 5/9	27631	B8251-0	N/A
305EFW7	N/A	933163-100	RSC 5/7	27625	N/A	8A5006-31
305EFW9	N/A	933164-100	RSC 5/9	27626	BS8151-0	8A5006-32
305FFW7	N/A	933167-100	RSCW 5/7	27635	N/A	8A5007-31
305FFW9	N/A	933168-100	RSCW 5/9	27636	BS8251-0	N/A

TUFF-SEAL  
CROSS REFERENCE

TUFF-LINK  
CROSS REFERENCE

MINI-LINK OLD / NEW  
PART NUMBERS

ALPHA NUMERIC  
INDEX



# BANNER CROSS REFERENCE

Banner No.	Remke No.
MBCC-312	103A0120F
MBCC-412	104A0120F
MBCC-512	105A0120F*
MQDC-315	303A0164J
MQDC-415	304A0164J
MQDC-515	NO EQUAL
MQDC1-515	305A0164J
MQAC-315	203A0150T
MQAC-415	204A0150T

\*Banner Pos. #3 = Yellow, Remke Pos. #3 = Gray





# M12 ETHERLINK CROSS REFERENCE

REMKE	Belden	Crouse-Hinds	Mencom	Molex/Brad	Murrelektronik	Phoenix Contact	Turck
E04A0066BA5	N/A	EC4G1WE020M	MDE45P-4FP-2M	N/A	N/A	N/A	RKCD 440-2M
E04A0131BA5	N/A	EC4G1WE040M	MDE45P-4FP-4M	N/A	N/A	N/A	RKCD 440-4M
E04A0131BA5S9	N/A	EC4G1BE040M	MDE45PB-4FP-4M	N/A	7000-14641-7930400	NBC-4,0-93E/FSD SCO	RKSDV 440-4M
E04A0164BA5	N/A	EC4G1WE050M	MDE45P-4FP-5M	N/A	N/A	N/A	RKCD 440-5M
E04A0164BA5S9	N/A	EC4G1BE050M	MDE45PB-4FP-5M	N/A	7000-14641-7930500	NBC-5,0-93E/FSD SCO	RKSDV 440-5M
E04C0066BA5	N/A	EC4J1WE020M	N/A	N/A	N/A	N/A	WKCD 440-2M
E04C0131BA5	N/A	EC4J1WE040M	N/A	N/A	N/A	N/A	WKCD 440-4M
E04C0164BA5	N/A	EC4J1WE050M	N/A	N/A	N/A	N/A	WKCD 440-5M
E04E0066BA5	0985 806 120/2M	EC4F1WE020M	MDE45PB-4MP-2M	E10A00603M020	N/A	N/A	RSCD 440-2M
E04E0066BA5S9	0985 706 120/2M	EC4F1BE020M	MDE45PB-4MSP-2M	E10A00615M020	7000-14541-7930200	NBC-MSD/2,0-93E SCO	RSSD 441-2M
E04E0131BA5	0985 806 120/4M	EC4F1WE040M	MDE45PB-4MP-4M	E10A00603M040	N/A	N/A	RSCD 440-4M
E04E0131BA5S9	0985 706 120/4M	EC4F1BE040M	MDE45PB-4MSP-4M	E10A00615M040	7000-14541-7930400	NBC-MSD/4,0-93E SCO	RSSD 441-4M
E04E0164BA5	0985 806 120/5M	EC4F1WE050M	MDE45PB-4MP-5M	E10A00603M050	N/A	N/A	RSCD 440-5M
E04E0164BA5S9	0985 706 120/5M	EC4F1BE050M	MDE45PB-4MSP-5M	E10A00615M050	7000-14541-7930500	NBC-MSD/5,0-93E SCO	RSSD 441-5M
E04F0066BA5	N/A	EC4H1WE020M	N/A	E10A00703M020	7000-14561-7930200	N/A	WSCD 440-2M
E04F0131BA5	N/A	EC4H1WE040M	N/A	E10A00703M040	7000-14561-7930400	N/A	WSCD 440-4M
E04F0164BA5	N/A	EC4H1WE050M	N/A	E10A00703M050	7000-14561-7930500	N/A	WSCD 440-5M
E04K0066BA5	0985 806 102/2M	EC4K1WE020M	MDE45P-4MFP-2M	E11B03003M002	N/A	N/A	RSCD RKCD 440-2M
E04K0066BA5S9	0985 706 102/2M	EC4K1BE020M	MDE45WB-4MFP-2M	E11B03015M002	N/A	NBC-MSD/2,0-93E/FSD SCO	RSSD RKSD 441-2M
E04K0131BA5	0985 806 102/4M	EC4K1WE040M	MDE45P-4MFP-4M	E11B03003M004	N/A	N/A	RSCD RKCD 440-4M
E04K0131BA5S9	0985 706 102/4M	EC4K1BE040M	MDE45WB-4MFP-4M	E11B03015M004	N/A	NBC-MSD/4,0-93E/FSD SCO	RSSD RKSD 441-4M
E04K0164BA5	0985 806 102/5M	EC4K1WE050M	MDE45P-4MFP-5M	E11B03003M005	N/A	N/A	RSCD RKCD 440-5M
E04K0164BA5S9	0985 706 102/5M	EC4K1BE050M	MDE45WB-4MFP-5M	E11B03015M005	N/A	NBC-MSD/5,0-93E/FSD SCO	RSSD RKSD 441-5M
E04KM0066BA5	0985 806 100/2M	EC4M1WE020M	MDE45P-4MMP-2M	E11A06003M020	N/A	N/A	RSCD RSCD 440-2M
E04KM0066BA5S9	0985 706 100/2M	EC4M1BE020M	MDE45WB-4MMP-2M	E11A06010M020	7000-44511-7910200	NBC-MSD/2,0-93E/MSD SCO	RSSD RSSD 440-2M
E04KM0131BA5	0985 806 100/4M	EC4M1WE040M	MDE45P-4MMP-4M	E11A06003M040	N/A	N/A	RSCD RSCD 440-4M
E04KM0131BA5S9	0985 706 100/4M	EC4M1BE040M	MDE45WB-4MMP-4M	E11A06010M040	7000-44511-7910400	NBC-MSD/4,0-93E/MSD SCO	RSSD RSSD 440-4M
E04KM0164BA5	0985 806 100/5M	EC4M1WE050M	MDE45P-4MMP-5M	E11A06003M050	N/A	N/A	RSCD RSCD 440-5M
E04KM0164BA5S9	0985 706 100/5M	EC4M1BE050M	MDE45WB-4MMP-5M	E11A06010M050	7000-44511-7910500	NBC-MSD/5,0-93EMFSD SCO	RSSD RSSD 440-5M
E04R0010P24	N/A	N/A	MDE45-4MR-4-E45	N/A	N/A	N/A	N/A
E04S0010P24	N/A	N/A	MDE45-4FR-4-E45	N/A	N/A	N/A	N/A





# MINI-LINK OLD TO NEW PART NUMBER CROSS REFERENCE

Old Remke Number	New Remke Number
50701	102A0030A
50701	102Q0010M
50702	102V0010M
50705	102P0010M
50706	102U0010M
50707	102B0030A
50708	102B0060A
50709	102B0120A
50711	102A0060A
50712	102A0120A
50725	102G0060A
50730	102G0120A
50743	102G0200A
50748	102A0200A
50752	102B0200A
50783	102G0030A
50798	102QF0010M
50799	102PF0010M
50901	103A0030A
50902	103A0060A
50903	103A0120A
50904	103B0030A
50905	103B0060A
50906	103B0120A
50908	103U0010M
50909	103P0010M
50910	103Q0010M
50911	103V0010M
50945	103G0200A
50946	103G0120A
50973	103G0030A
50974	103A0200A
50982	103B0200A
50991	103QF0010M
50992	103PF0010M
51018	103G0060A
51101	104U0010M
51103	104P0010M
51104	104Q0010M
51105	104V0010M
51107	104A0030A
51108	104A0060A
51109	104A0120A
51110	104B0030A
51111	104B0060A
51112	104B0120A
51115	104G0120A
51118	104G0200A
51119	104G0030A
51120	104G0060A
51134	104B0200A
51177	104A0200A

Old Remke Number	New Remke Number
51197	104QF0010M
51198	104PF0010M
51306	105A0030A
51307	105A0060A
51308	105A0120A
51310	105P0010M
51311	105U0010M
51313	105Q0010M
51314	105V0010M
51315	105B0030A
51316	105B0060A
51317	105B0120A
51319	105G0030A
51320	105G0060A
51322	105A0200A
51332	105B0200A
51343	105G0120A
51396	105QF0010M
51397	105PF0010M
52601	106BA0030A
52602	106BA0060A
52603	106BA0120A
52605	106BP0010M
52607	106BQ0010M
52608	106BB0030A
52609	106BB0060A
52610	106BB0120A
52611	106BG0060A
52627	106BB0200A
52628	106BG0120A
52660	106BG0200A
52671	106BG0030A
52685	106BA0200A
52801	107A0030A
52802	107A0060A
52803	107A0120A
52805	107P0010M
52807	107Q0010M
52808	107B0030A
52809	107B0060A
52810	107B0120A
52819	107G0060A
52820	107G0120A
52821	107A0200A
52862	107G0030A
52866	107G0200A
52872	107B0200A
53001	108A0030A
53002	108A0060A
53003	108A0120A
53005	108P0010M
53007	108Q0010M

TUFF-SEAL  
CROSS REFERENCE

TUFF-LINK  
CROSS REFERENCE

MINI-LINK OLD / NEW  
PART NUMBERS

ALPHA NUMERIC  
INDEX





# MINI-LINK OLD TO NEW PART NUMBER CROSS REFERENCE

Old Remke Number	New Remke Number
53008	108B0030A
53009	108B0060A
53010	108B0120A
53015	108G0060A
53056	108G0030A
53062	108A0200A
53066	108B0200A
53067	108G0120A
53073	108G0200A
57001	109A0030A
57002	109A0060A
57003	109A0120A
57005	109P0010M
57007	109Q0010M
57008	109B0030A
57009	109B0060A
57010	109B0120A
57025	109G0200A
57029	109G0030A
57043	109A0200A
57051	109G0060A
57052	109G0120A
57057	109B0200A
57201	110A0030A
57202	110A0060A
57203	110A0120A
57205	110P0010M
57207	110Q0010M
57208	110B0030A
57209	110B0060A
57210	110B0120A
57212	110G0200A
57224	110G0060A
57235	110B0200A
57239	110A0200A
57250	110G0120A
57253	110G0030A
57401	112A0030A
57402	112A0060A
57403	112A0120A
57405	112P0010M
57407	112Q0010M
57408	112B0030A
57409	112B0060A
57410	112B0120A
57413	112G0060A
57424	112G0200A
57425	112B0200A
57446	112G0120A
57449	112A0200A
57479	112G0030A
50701-90	102C0030A

Old Remke Number	New Remke Number
50711-90	102C0060A
50712-90	102C0120A
50748-90	102C0200A
50901-90	103C0030A
50902-90	103C0060A
50903-90	103C0120A
50974-90	103C0200A
51107-90	104C0030A
51108-90	104C0060A
51109-90	104C0120A
51177-90	104C0200A
51306-90	105C0030A
51307-90	105C0060A
51308-90	105C0120A
51322-90	105C0200A
52601-90	106BC0030A
52602-90	106BC0060A
52603-90	106BC0120A
52685-90	106BC0200A
52801-90	107C0030A
52802-90	107C0060A
52803-90	107C0120A
52821-90	107C0200A
53001-90	108C0030A
53002-90	108C0060A
53003-90	108C0120A
53062-90	108C0200A
57001-90	109C0030A
57002-90	109C0060A
57003-90	109C0120A
57043-90	109C0200A
57201-90	110C0030A
57202-90	110C0060A
57203-90	110C0120A
57239-90	110C0200A
57401-90	112C0030A
57402-90	112C0060A
57403-90	112C0120A
57449-90	112C0200A



# NEW MOLEX/BRAD NUMBER (PLASTIC MINI-STYLE) CROSS REFERENCE

Molex/Brad Part No.	Remke Part No.
10200A01F030	102A0030AP
10200A01F060	102A0060AP
10200A01F120	102A0120AP
10200A01F200	102A0200AP
102001A01F030	102C0030AP
102001A01F060	102C0060AP
102001A01F120	102C0120AP
102001A01F200	102C0200AP
102002A01F030	102B0030AP
102002A01F060	102B0060AP
102002A01F120	102B0120AP
102002A01F200	102B0200AP
102003A01F030	102D0030AP
102003A01F060	102D0060AP
102003A01F120	102D0120AP
102003A01F200	102D0200AP
103000A01F030	103A0030AP
103000A01F060	103A0060AP
103000A01F120	103A0120AP
103000A01F200	103A0200AP
103001A01F030	103C0030AP
103001A01F060	103C0060AP
103001A01F120	103C0120AP
103001A01F200	103C0200AP
103002A01F030	103B0030AP
103002A01F060	103B0060AP
103002A01F120	103B0120AP
103002A01F200	103B0200AP
103003A01F030	103D0030AP
103003A01F060	103D0060AP
103003A01F120	103D0120AP
103003A01F200	103D0200AP
104000A01F030	104A0030AP
104000A01F060	104A0060AP
104000A01F120	104A0120AP
104000A01F200	104A0200AP
104001A01F030	104C0030AP
104001A01F060	104C0060AP
104001A01F120	104C0120AP
104001A01F200	104C0200AP
104002A01F030	104B0030AP
104002A01F060	104B0060AP
104002A01F120	104B0120AP
104002A01F200	104B0200AP
104003A01F030	104D0030AP
104003A01F060	104D0060AP
104003A01F120	104D0120AP
115020A01F120	105G0120AP
115020A01F200	105G0200AP
116020A01F030	106G0030AP
116020A01F060	106G0060AP

Molex/Brad Part No.	Remke Part No.
116020A01F120	106G0120AP
116020A01F200	106G0200AP
1R2004A20A120	50701
1R2005A20A120	50702
1R2006A20A120	50705
1R2007A20A120	50706
1R2G04A20A120	50798
1R2G06A20A120	50799
1R3004A20A120	50910
1R3005A20A120	50911
1R3006A20A120	50909
1R3007A20A120	50908
1R3G04A20A120	50991
1R3G06A20A120	50992
1R4004A20A120	51104
1R4005A20A120	51105
1R4006A20A120	51103
1R4007A20A120	51101
1R4G04A20A120	51197
1R4G06A20A120	51198
1R5004A20A120	51313
1R5005A20A120	51314
1R5006A20A120	51310
1R5007A20A120	51311
1R5G04A20A120	51396
1R5G06A20A120	51397
1R6004A20A120	51607
1R6005A20A120	51606
1R6006A20A120	51605
1R6007A20A120	51604
1R6G04A20A120	51697
1R6G06A20A120	51698
206000A01F030	52601
206000A01F060	52602
206000A01F120	52603
206000A01F200	52685
206001A01F030	52601-90
206001A01F060	52602-90
206001A01F120	52603-90
206001A01F200	52685-90
206002A01F030	52608
206002A01F060	52609
206002A01F120	52610
301001A01F030	57201-90
301001A01F060	55702-90
301001A01F120	57203-90
301001A01F200	57239-90
301002A01F030	57208
301002A01F060	57209
301002A01F120	57210
301002A01F200	57235

Molex/Brad Part No.	Remke Part No.
302000A01F030	57401
302000A01F060	57402
302000A01F120	57403
302000A01F200	57449
302001A01F030	57401-90
302001A01F060	57402-90
302001A01F120	57403-90
302001A01F200	57449-90
302002A01F030	57408
302002A01F060	57409
302002A01F120	57410
302002A01F200	57425
309000A01F030	57001
309000A01F060	57002
309000A01F120	57003
309000A01F200	57043
309001A01F030	57001-90
309001A01F060	57002-90
309001A01F120	57003-90
309001A01F200	57043-90
309002A01F030	57008
309002A01F060	57009
309002A01F120	57010
309002A01F200	57057
331020A01F030	57253
331020A01F060	57224
331020A01F120	57250
331020A01F200	57212
332020A01F030	57479
332020A01F060	57413
332020A01F120	57446
332020A01F200	57424
339020A01F030	57029
339020A01F060	57051
339020A01F120	57052
339020A01F200	57025
3R1004A20A120	57207
3R1006A20A120	57205
3R2004A20A120	57407
3R2006A20A120	57405

TUFF-SEAL  
CROSS REFERENCE

TUFF-LINK  
CROSS REFERENCE

MINI-LINK OLD / NEW  
PART NUMBERS

ALPHA NUMERIC  
INDEX





# MINI-PORT AND MICRO-PORT CROSS REFERENCE

REMKE	Crouse-Hinds	Hirschmann	Lumberg	Mencom	Murr	Turck	Molex/Brad
3400001	MP4FA000	N/A	ZVS 4-30	N/A	N/A	4 RKF 30-B1161	409P401
3400002	MP6FA000	N/A	ZVS 6-30	N/A	N/A	N/A	409P601
3400003	MP8FA000	N/A	ZVS 8-30	N/A	N/A	N/A	409P801
3400004	N/A	N/A	N/A	N/A	N/A	4 RKF 30-5M	409P406-16
3400005	N/A	N/A	N/A	N/A	N/A	4 RKF 30-10M	409P406-33
3400006	N/A	N/A	N/A	N/A	N/A	6 RKF 30-5M	409P606-16
3400007	N/A	N/A	N/A	N/A	N/A	6 RKF 30-10M	409P606-33
3400008	N/A	N/A	N/A	N/A	N/A	8 RKF 30-5M	409P806-16
3400009	N/A	N/A	N/A	N/A	N/A	8 RKF 30-10M	409P806-33
3400010	MM4FC05M	TBD	ASB 4/LED5/4-12/5M	MDC-SB-4/4-5M	27858	VB 40-P7X5-5	BTY401P-FBP-05
3400012	MM4FC10M	TBD	ASB 4/LED5/4-12/10M	MDC-SB-4/4-10M	27859	VB 40-P7X5-10	BTY401P-FBP-10
3400014	N/A	TBD	ASBS 4/LED 5/4	N/A	27760	N/A	BTY401P-FBC
3400016	MM6FC05M	TBD	ASB 6/LED5/4-13/5M	MDC-SB-6/4-5M	27862	VB 60-P7X7-5	N/A
3400018	MM6FC10M	TBD	ASB 6/LED5/4-13/10M	MDC-SB-6/4-10M	27863	VB 60-P7X7-10	N/A
3400020	N/A	TBD	ASBS 6/LED 5/4	N/A	27761	VB 60-P7X7-CS 12	N/A
3400022	MM8FC05M	TBD	ASB 8/LED5/4-14/5M	MDC-SB-8/4-5M	27866	VB 80-P7X9-5	BTY801P-FBP-05
3400024	MM8FC10M	TBD	ASB 8/LED5/4-14/10M	MDC-SB-8/4-10M	27867	VB 80-P7X9-10	BTY801P-FBP-10
3400026	N/A	TBD	ASBS 8/LED 5/4	N/A	27762	VB 80-P7X9-CS 12	BTY801P-FBC
3400031	N/A	N/A	ZV 4 3U-38/5M	N/A	N/A	VBKB 40-5	N/A
3400032	N/A	N/A	ZV 4 3U-38/10M	N/A	N/A	VBKB 40-10	N/A
3400033	N/A	N/A	ZV 6 3U-37/5M	N/A	N/A	VBKB 60-5	N/A
3400034	N/A	N/A	ZV 6 3U-37/10M	N/A	N/A	VBKB 60-10	N/A
3400035	N/A	N/A	ZV 8 3U-30/5M	N/A	N/A	VBKB 80-5	N/A
3400036	N/A	N/A	ZV 8 3U-30/10M	N/A	N/A	VBKB 80-10	N/A
3400040	N/A	N/A	N/A	N/A	N/A	N/A	702P401
3400041	N/A	N/A	N/A	N/A	N/A	N/A	702P601
3400042	N/A	N/A	N/A	N/A	N/A	N/A	702P801
3400043	N/A	N/A	N/A	N/A	N/A	N/A	N/A
3400044	N/A	N/A	N/A	N/A	N/A	N/A	N/A
3400045	N/A	N/A	N/A	N/A	N/A	N/A	N/A
3400046	N/A	N/A	N/A	N/A	N/A	N/A	N/A
3400047	N/A	N/A	N/A	N/A	N/A	N/A	N/A
3400048	N/A	N/A	N/A	N/A	N/A	N/A	N/A

Part Number	Page
102A0030A	146
102A0030AHT	149
102A0030AP	135
102A0060A	146
102A0060AHT	149
102A0060AP	135
102A0120A	146
102A0120AHT	149
102A0120AP	135
102A0200A	146
102A0200AHT	149
102A0200AP	135
102B0030A	146
102B0030AHT	149
102B0030AP	135
102B0060A	146
102B0060AHT	149
102B0060AP	135
102B0120A	146
102B0120AHT	149
102B0120AP	135
102B0200A	146
102B0200AHT	149
102B0200AP	135
102C0030A	146
102C0030AHT	149
102C0030AP	135
102C0060A	146
102C0060AHT	149
102C0060AP	135
102C0120A	146
102C0120AHT	149
102C0120AP	135
102C0200A	146
102C0200AHT	149
102C0200AP	135
102D0030AP	135
102D0060AP	135
102D0120AP	135
102D0200AP	135
102G0030A	146
102G0030AHT	149
102G0030AP	136
102G0060A	146
102G0060AHT	149
102G0060AP	136
102G0120A	146
102G0120AHT	149
102G0120AP	136
102G0200A	146
102G0200AHT	149
102G0200AP	136
102G0200AHT	149
102G0200AP	136

Part Number	Page
102P0010M	150
102P0010MHT	153
102PF0010M	150
102PF0010MHT	153
102Q0010M	150
102Q0010MHT	153
102QF0010M	150
102QF0010MHT	153
102U0010M	150
102U0010MHT	153
102V0010M	150
102V0010MHT	153
103A0030A	146
103A0030AHT	149
103A0030AP	135
103A0060A	146
103A0060AHT	149
103A0060AP	135
103A0120A	146
103A0120AHT	149
103A0120AP	135
103A0200A	146
103A0200AHT	149
103A0200AP	135
103AFW11	154
103AFW9	154
103B0030A	146
103B0030AHT	149
103B0030AP	135
103B0060A	146
103B0060AHT	149
103B0060AP	135
103B0120A	146
103B0120AHT	149
103B0120AP	135
103B0200A	146
103B0200AHT	149
103B0200AP	135
103C0030A	146
103C0030AHT	149
103C0030AP	135
103C0060A	146
103C0060AHT	149
103C0060AP	135
103C0120A	146
103C0120AHT	149
103C0120AP	135
103C0200A	146
103C0200AHT	149
103C0200AP	135
103D0030AP	135
103D0060AP	135

Part Number	Page
103D0120AP	135
103D0200AP	135
103EFW11	154
103EFW9	154
103G0030A	146
103G0030AHT	149
103G0030AP	136
103G0060A	146
103G0060AHT	149
103G0060AP	136
103G0120A	146
103G0120AHT	149
103G0120AP	136
103G0200A	146
103G0200AHT	149
103G0200AP	136
103P0010M	150
103P0010MHT	153
103PF0010M	150
103PF0010MHT	153
103Q0010M	150
103Q0010MHT	153
103QF0010M	150
103QF0010MHT	153
103U0010M	150
103U0010MHT	153
103V0010M	150
103V0010MHT	153
104A0030A	146
104A0030AHT	149
104A0030AP	135
104A0060A	146
104A0060AHT	149
104A0060AP	135
104A0120A	146
104A0120AHT	149
104A0120AP	135
104A0200A	146
104A0200AHT	149
104A0200AP	135
104AFW9	154
104B0030A	146
104B0030AHT	149
104B0030AP	135
104B0060A	146
104B0060AHT	149
104B0060AP	135
104B0120A	146
104B0120AHT	149
104B0120AP	135
104B0200A	146
104B0200AHT	149
104B0200AP	135

Part Number	Page
104B0200AP	135
104C0030A	146
104C0030AHT	149
104C0030AP	135
104C0060A	146
104C0060AHT	149
104C0060AP	135
104C0120A	146
104C0120AHT	149
104C0120AP	135
104C0200A	146
104C0200AHT	149
104C0200AP	135
104D0030AP	135
104D0060AP	135
104D0120AP	135
104D0200AP	135
104EFW9	154
104G0030A	146
104G0030AHT	149
104G0030AP	136
104G0060A	146
104G0060AHT	149
104G0060AP	136
104G0120A	146
104G0120AHT	149
104G0120AP	136
104G0200A	146
104G0200AHT	149
104G0200AP	136
104P0010M	150
104P0010MHT	153
104PF0010M	150
104PF0010MHT	153
104Q0010M	150
104Q0010MHT	153
104QF0010M	150
104QF0010MHT	153
104U0010M	150
104U0010MHT	153
104V0010M	150
104V0010MHT	153
105A0030A	146
105A0030AHT	149
105A0030AP	135
105A0060A	146
105A0060AHT	149
105A0060AP	135
105A0120A	146
105A0120AHT	149
105A0120AP	135
105A0200A	146

TUFF-SEAL  
CROSS REFERENCE

TUFF-LINK  
CROSS REFERENCE

MINI-LINK OLD / NEW  
PART NUMBERS

ALPHA NUMERIC  
INDEX



Part Number	Page
105A0200AHT	149
105A0200AP	135
105AFW11	154
105AFW16	154
105AFW9	154
105B0030A	146
105B0030AHT	149
105B0030AP	135
105B0060A	146
105B0060AHT	149
105B0060AP	135
105B0120A	146
105B0120AHT	149
105B0120AP	135
105B0200A	146
105B0200AHT	149
105B0200AP	135
105C0030A	146
105C0030AHT	149
105C0030AP	135
105C0060A	146
105C0060AHT	149
105C0060AP	135
105C0120A	146
105C0120AHT	149
105C0120AP	135
105C0200A	146
105C0200AHT	149
105C0200AP	135
105D0030AP	135
105D0060AP	135
105D0120AP	135
105D0200AP	135
105EFW11	154
105EFW16	154
105EFW9	154
105G0030A	146
105G0030AHT	149
105G0030AP	136
105G0060A	146
105G0060AHT	149
105G0060AP	136
105G0120A	146
105G0120AHT	149
105G0120AP	136
105G0200A	146
105G0200AHT	149
105G0200AP	136
105P0010M	150
105P0010MHT	153
105PF0010M	150
105PF0010MHT	153

Part Number	Page
105Q0010M	150
105Q0010MHT	153
105QF0010M	150
105QF0010MHT	153
105U0010M	150
105U0010MHT	153
105V0010M	150
105V0010MHT	153
106AA0030A	146
106AA0030AP	135
106AA0060A	146
106AA0060AP	135
106AA0120A	146
106AA0120AP	135
106AA0200A	146
106AA0200AP	135
106AB0030A	146
106AB0030AP	135
106AB0060A	146
106AB0060AP	135
106AB0120A	146
106AB0120AP	135
106AB0200A	146
106AB0200AP	135
106AC0030A	146
106AC0030AP	135
106AC0060A	146
106AC0060AP	135
106AC0120A	146
106AC0120AP	135
106AC0200A	146
106AC0200AP	135
106AD0030AP	135
106AD0060AP	135
106AD0120AP	135
106AD0200AP	135
106AG0030A	146
106AG0030AP	136
106AG0060A	146
106AG0060AP	136
106AG0120A	146
106AG0120AP	136
106AG0200A	146
106AG0200AP	136
106AP0010M	150
106APF0010M	150
106AQ0010M	150
106AQF0010M	150
106AU0010M	150
106AV0010M	150
106BA0030A	147
106BA0030AP	139

Part Number	Page
106BA0060A	147
106BA0060AP	139
106BA0120A	147
106BA0120AP	139
106BA0200A	147
106BA0200AP	139
106BB0030A	147
106BB0030AP	139
106BB0060A	147
106BB0060AP	139
106BB0120A	147
106BB0120AP	139
106BB0200A	147
106BB0200AP	139
106BC0030A	147
106BC0030AP	139
106BC0060A	147
106BC0060AP	139
106BC0120A	147
106BC0120AP	139
106BC0200A	147
106BC0200AP	139
106BD0030AP	139
106BD0060AP	139
106BD0120AP	139
106BD0200AP	139
106BG0030A	147
106BG0060A	147
106BG0120A	147
106BG0200A	147
106BP0010M	151
106BP0010MHT	151
106GB0030AP	140
106GB0060AP	140
106GB0120AP	140
106GB0200AP	140
107A0030A	147
107A0030AP	139
107A0060A	147
107A0060AP	139
107A0120A	147
107A0120AP	139
107A0200A	147
107A0200AP	139
107B0030A	147
107B0030AP	139
107B0060A	147
107B0060AP	139
107B0120A	147
107B0120AP	139
107B0200A	147
107B0200AP	139

Part Number	Page
107BP0010M	151
107BQ0010M	151
107C0030A	147
107C0030AP	139
107C0060A	147
107C0060AP	139
107C0120A	147
107C0120AP	139
107C0200A	147
107C0200AP	139
107D0030AP	139
107D0060AP	139
107D0120AP	139
107D0200AP	139
107G0030A	147
107G0030AP	140
107G0060A	147
107G0060AP	140
107G0120A	147
107G0120AP	140
107G0200A	147
107G0200AP	140
107G0300AP	139
107P0010M	151
107Q0010M	151
108A0030A	147
108A0030AP	139
108A0060A	147
108A0060AP	139
108A0120A	147
108A0120AP	139
108A0200A	147
108A0200AP	139
108B0030A	147
108B0030AP	139
108B0060A	147
108B0060AP	139
108B0120A	147
108B0120AP	139
108B0200A	147
108B0200AP	139
108BP0010M	151
108BQ0010M	151
108C0030A	147
108C0030AP	139
108C0060A	147
108C0060AP	139
108C0120A	147
108C0120AP	139
108C0200A	147
108C0200AP	139
108D0030AP	139

Part Number	Page
108D0060AP	139
108D0120AP	139
108D0200AP	139
108G0030A	147
108G0030AP	140
108G0060A	147
108G0060AP	140
108G0120A	147
108G0120AP	140
108G0200A	147
108G0200AP	140
108P0010M	151
108Q0010M	151
109A0030A	148
109A0030AP	143
109A0060A	148
109A0060AP	143
109A0120A	148
109A0120AP	143
109A0200A	148
109A0200AP	143
109B0030A	148
109B0030AP	143
109B0060A	148
109B0060AP	143
109B0120A	148
109B0120AP	143
109B0200A	148
109B0200AP	143
109C0030A	148
109C0030AP	143
109C0060A	148
109C0060AP	143
109C0120A	148
109C0120AP	143
109C0200A	148
109C0200AP	143
109D0030AP	143
109D0060AP	143
109D0120AP	143
109D0200AP	143
109G0030A	148
109G0030AP	144
109G0060A	148
109G0060AP	144
109G0120A	148
109G0120AP	144
109G0200A	148
109G0200AP	144
109P0010M	152
109Q0010M	152
110A0030A	148

Part Number	Page
110A0030AP	143
110A0060A	148
110A0060AP	143
110A0120A	148
110A0120AP	143
110A0200A	148
110A0200AP	143
110B0030A	148
110B0030AP	143
110B0060A	148
110B0060AP	143
110B0120A	148
110B0120AP	143
110B0200A	148
110B0200AP	143
110C0030A	148
110C0030AP	143
110C0060A	148
110C0060AP	143
110C0120A	148
110C0120AP	143
110C0200A	148
110C0200AP	143
110D0030AP	143
110D0060AP	143
110D0120AP	143
110D0200AP	143
110G0030A	148
110G0030AP	144
110G0060A	148
110G0060AP	144
110G0120A	148
110G0120AP	144
110G0200A	148
110G0200AP	144
110P0010M	152
110Q0010M	152
112A0030A	148
112A0030AP	143
112A0060A	148
112A0060AP	143
112A0120A	148
112A0120AP	143
112A0200A	148
112A0200AP	143
112B0030A	148
112B0030AP	143
112B0060A	148
112B0060AP	143
112B0120A	148
112B0120AP	143
112B0200A	148

Part Number	Page
112B0200AP	143
112C0030A	148
112C0030AP	143
112C0060A	148
112C0060AP	143
112C0120A	148
112C0120AP	143
112C0200A	148
112C0200AP	143
112D0030AP	143
112D0060AP	143
112D0120AP	143
112D0200AP	143
112G0030A	148
112G0030AP	144
112G0060A	148
112G0060AP	144
112G0120A	148
112G0120AP	144
112G0200A	148
112G0200AP	144
112P0010M	152
112Q0010M	152
202A0060G	107
202A0060T	107
202A0120G	107
202A0120T	107
202A0200G	107
202A0200T	107
202C0060G	107
202C0060T	107
202C0120G	107
202C0120T	107
202C0200G	107
202C0200T	107
202E0060G	107
202E0060T	107
202E0120G	107
202E0120T	107
202E0200G	107
202E0200T	107
202F0060G	107
202F0060T	107
202F0120G	107
202F0120T	107
202F0200G	107
202F0200T	107
202K0060G	108
202K0060T	107
202K0120G	108
202K0120T	108
202K0200G	108

Part Number	Page
202K0200T	108
202P0010N	113, 119
202P0010P	107, 111, 121
202R0010P	121
202S0010N	113, 119
202S0010P	107, 111, 121
202W0010N	121
203-02-001	59
203-02-002	59
203A0060G	107
203A0060T	107
203A0120G	107
203A0120T	107
203A0200G	107
203A0200T	107
203C0060G	107
203C0060T	107
203C0120G	107
203C0120T	107
203C0200G	107
203C0200T	107
203E0060G	107
203E0060T	107
203E0120G	107
203E0120T	107
203E0200G	107
203E0200T	107
203F0060G	107
203F0060T	107
203F0120G	107
203F0120T	107
203F0200G	107
203F0200T	107
203K0060G	108
203K0060T	108
203K0120G	108
203K0120T	108
203K0200G	108
203K0200T	108
203P0010N	113, 119
203P0010P	107, 111, 121
203P0010P9	115
203R0010P	121
203S0010N	113, 119
203S0010P	107, 111, 121
203S0010P9	115
203W0010N	121
204A0060G	107
204A0060T	107
204A0120G	107
204A0120T	107
204A0200G	107

TUFF-SEAL  
CROSS REFERENCE

TUFF-LINK  
CROSS REFERENCE

MINI-LINK OLD / NEW  
PART NUMBERS

ALPHA NUMERIC  
INDEX



Part Number	Page
204A0200T	107
204C0060G	107
204C0060T	107
204C0120G	107
204C0120T	107
204C0200G	107
204C0200T	107
204E0060G	107
204E0060T	107
204E0120G	107
204E0120T	107
204E0200G	107
204E0200T	107
204F0060G	107
204F0060T	107
204F0120G	107
204F0120T	107
204F0200G	107
204F0200T	107
204ILSA0010T	123
204ILSB0010T	123
204K0060G	108
204K0060T	108
204K0120G	108
204K0120T	108
204K0200G	108
204K0200T	108
204P0010N	113, 119
204P0010P	107, 111, 121
204P0010P9	115
204R0010P	121
204S0010N	113, 119
204S0010P	107, 111, 121
204S0010P9	115
204W0010N	121
205A0060G	107
205A0060T	107
205A0120G	107
205A0120T	107
205A0200G	107
205A0200T	107
205C0060G	107
205C0060T	107
205C0120G	107
205C0120T	107
205C0200G	107
205C0200T	107
205E0060G	107
205E0060T	107
205E0120G	107
205E0120T	107
205E0200G	107

Part Number	Page
205E0200T	107
205F0060G	107
205F0060T	107
205F0120G	107
205F0120T	107
205F0200G	107
205F0200T	107
205K0060G	108
205K0060T	108
205K0120G	108
205K0120T	108
205K0200G	108
205K0200T	108
205P0010N	113, 119
205P0010P	107, 111, 121
205P0010P9	115
205R0010P	121
205S0010N	113, 119
205S0010P	107, 111, 121
205S0010P9	115
205W0010N	121
206A0060G	107
206A0060T	107
206A0120G	107
206A0120T	107
206A0200G	107
206A0200T	107
206C0060G	107
206C0060T	107
206C0120G	107
206C0120T	107
206C0200G	107
206C0200T	107
206E0060G	107
206E0060T	107
206E0120G	107
206E0120T	107
206E0200G	107
206E0200T	107
206F0060G	107
206F0060T	107
206F0120G	107
206F0120T	107
206F0200G	107
206F0200T	107
206K0060G	108
206K0060T	108
206K0120G	108
206K0120T	108
206K0200G	108
206K0200T	108
206P0010P	107, 111, 121

Part Number	Page
206R0010P	121
206S0010P	107, 111, 121
2201-001R	55
2201-002R	55
2201-003R	55
2201-004R	55
2201-005R	55
2201-006R	55
2201-007R	55
2201-008R	55
2201-009R	55
2201-010R	55
2201-011R	55
2201-013R	55
2201-014R	55
2201-015R	55
2201-016R	55
2201-017R	55
2201-018R	55
2201-019R	55
2201-020R	55
2201-021R	55
2201-022R	55
2201-023R	55
2202-001R	56
2202-002R	56
2202-003R	56
2202-004R	56
2202-005R	56
2202-006R	56
2202-007R	56
2202-008R	56
2202-009R	56
2202-010R	56
2202-011R	56
2202-013R	56
2202-014R	56
2202-015R	56
2202-016R	56
2202-017R	56
2202-018R	56
2202-019R	56
2202-020R	56
2202-021R	56
2202-022R	56
2202-023R	56
2203-001R	57
2203-002R	57
2203-003R	57
2203-004R	57
2203-005R	57
2203-006R	57

Part Number	Page
2203-007R	57
2203-008R	57
2203-009R	57
2203-010R	57
2203-011R	57
2203-013R	57
2203-014R	57
2203-015R	57
2203-016R	57
2203-017R	57
2203-018R	57
2203-019R	57
2203-020R	57
2203-021R	57
2203-022R	57
2203-023R	57
303A0066H	89
303A0066J	89
303A0131H	89
303A0131J	89
303A0164H	89
303A0164J	89
303C0066H	89
303C0066J	89
303C0131H	89
303C0131J	89
303C0164H	89
303C0164J	89
303E0066H	89
303E0066J	89
303E0131H	89
303E0131J	89
303E0164H	89
303E0164J	89
303F0066H	89
303F0066J	89
303F0131H	89
303F0131J	89
303F0164H	89
303F0164J	89
303K0066H	90
303K0066J	90
303K0131H	90
303K0131J	90
303K0164H	90
303K0164J	90
303P0010N	95, 99
303P0010P	89, 93, 105
303P0010P9	101
303S0010N	95, 99
303S0010P	89, 93, 105
303S0010P9	101



Part Number	Page
303T0010P	105
303W0010N	105
304A0066H	89
304A0066J	89
304A0131H	89
304A0131J	89
304A0164H	89
304A0164J	89
304AFW7	125
304AFW9	125
304C0066H	89
304C0066J	89
304C0131H	89
304C0131J	89
304C0164H	89
304C0164J	89
304CFW7	125
304CFW9	125
304E0066H	89
304E0066J	89
304E0131H	89
304E0131J	89
304E0164H	89
304E0164J	89
304EFW7	125
304EFW9	125
304F0066H	89
304F0066J	89
304F0131H	89
304F0131J	89
304F0164H	89
304F0164J	89
304FFW7	125
304FFW9	125
304ILSA0010F	123
304ILSB0010F	123
304K0066H	90
304K0066J	90
304K0131H	90
304K0131J	90
304K0164H	90
304K0164J	90
304P0010N	95, 99
304P0010P	89, 93, 105
304P0010P9	101
304S0010N	95, 99
304S0010P	89, 93, 105
304S0010P9	101
304T0010P	105
304W0010N	105
305A0066H	89
305A0066J	89

Part Number	Page
305A0131H	89
305A0131J	89
305A0164H	89
305A0164J	89
305AFW7	125
305AFW9	125
305C0066H	89
305C0066J	89
305C0131H	89
305C0131J	89
305C0164H	89
305C0164J	89
305CFW7	125
305CFW9	125
305E0066H	89
305E0066J	89
305E0131H	89
305E0131J	89
305E0164H	89
305E0164J	89
305EFW7	125
305EFW9	125
305F0066H	89
305F0066J	89
305F0131H	89
305F0131J	89
305F0164H	89
305F0164J	89
305FFW7	125
305FFW9	125
305K0066H	90
305K0066J	90
305K0131H	90
305K0131J	90
305K0164H	90
305K0164J	90
305P0010N	95, 99
305P0010P	89, 93, 105
305P0010P9	101
305S0010N	95, 99
305S0010P	89, 93, 105
305S0010P9	101
305T0010P	105
305W0010N	105
308A0066J	89
308A0131J	89
308A0164J	89
308C0066J	89
308C0131J	89
308C0164J	89
308E0066J	89
308E0131J	89

Part Number	Page
308E0164J	89
308F0066J	89
308F0131J	89
308F0164J	89
308K0066J	90
308K0131J	90
308K0164J	90
308P0010P	89
308S0010P	89
312A0066J	89
312A0131J	89
312A0164J	89
312C0066J	89
312C0131J	89
312C0164J	89
312E0066J	89
312E0131J	89
312E0164J	89
312F0066J	89
312F0131J	89
312F0164J	89
312K0066J	90
312K0131J	90
312K0164J	90
312P0010P	89
312S0010P	89
3303-001R	60
3303-002R	60
3303-003R	60
3303-004R	60
3303-005R	60
3303-006R	60
3303-007R	60
3303-008R	60
3303-009R	60
3303-010R	60
3303-011R	60
3303-012R	60
3303-013R	60
3303-014R	60
3303-015R	60
3303-016R	60
3303-017R	60
3303-018R	60
3303-019R	60
3303-020R	60
3305-002R	60
3305-003R	60
3305-004R	60
3305-005R	60
3305-006R	60
3305-007R	60

Part Number	Page
3305-008R	60
3400001	162
3400002	162
3400003	162
3400004	162
3400005	162
3400006	162
3400007	162
3400008	162
3400009	162
3400010	158
3400012	158
3400014	158
3400016	158
3400018	158
3400020	158
3400022	158
3400024	158
3400026	158
3400040	160
3400041	160
3400042	160
3400043	160
3400044	160
3400045	160
3400046	160
3400047	160
3400048	160
3400059	176
3400060	176
3400064	178
3400065	178
402A0060AK	111
402A0060AQ	113
402A0060K	111
402A0120AK	111
402A0120AQ	113
402A0120K	111
402A0200AK	111
402A0200AQ	113
402A0200K	111
402C0060AK	111
402C0060AQ	113
402C0060K	111
402C0120AK	111
402C0120AQ	113
402C0120K	111
402C0200AK	111
402C0200AQ	113
402C0200K	111
402E0060AK	111
402E0060AQ	113

TUFF-SEAL  
CROSS REFERENCE

TUFF-LINK  
CROSS REFERENCE

MINI-LINK OLD / NEW  
PART NUMBERS

ALPHA NUMERIC  
INDEX



Part Number	Page
402E0060K	111
402E0120AK	111
402E0120AQ	113
402E0120K	111
402E0200AK	111
402E0200AQ	113
402E0200K	111
402F0060AK	111
402F0060AQ	113
402F0060K	111
402F0120AK	111
402F0120AQ	113
402F0120K	111
402F0200AK	111
402F0200AQ	113
402F0200K	111
402K0060AK	109
402K0060AQ	114
402K0060K	109
402K0120AK	109
402K0120AQ	114
402K0120K	109
402K0200AK	109
402K0200AQ	114
402K0200K	109
403A0060AK	111
403A0060AQ	113
403A0060K	111
403A0066AA9	115
403A0120AK	111
403A0120AQ	113
403A0120K	111
403A0131AA9	115
403A0164AA9	115
403A0200AK	111
403A0200AQ	113
403A0200K	111
403C0060AK	111
403C0060AQ	113
403C0060K	111
403C0120AK	111
403C0120AQ	113
403C0120K	111
403C0200AK	111
403C0200AQ	113
403C0200K	111
403E0060AK	111
403E0060AQ	113
403E0060K	111
403E0066AA9	115
403E0120AK	111
403E0120AQ	113

Part Number	Page
403E0120K	111
403E0131AA9	115
403E0164AA9	115
403E0200AK	111
403E0200AQ	113
403E0200K	111
403F0060AK	111
403F0060AQ	113
403F0060K	111
403F0120AK	111
403F0120AQ	113
403F0120K	111
403F0200AK	111
403F0200AQ	113
403F0200K	111
403K0060AA9	116
403K0060AK	109
403K0060AQ	114
403K0060K	109
403K0120AA9	116
403K0120AK	109
403K0120AQ	114
403K0120K	109
403K0200AA9	116
403K0200AK	109
403K0200AQ	114
403K0200K	109
404A0060AK	111
404A0060AQ	113
404A0060K	111
404A0066AA9	115
404A0120AK	111
404A0120AQ	113
404A0120K	111
404A0131AA9	115
404A0164AA9	115
404A0200AK	111
404A0200AQ	113
404A0200K	111
404C0060AK	111
404C0060AQ	113
404C0060K	111
404C0120AK	111
404C0120AQ	113
404C0120K	111
404C0200AK	111
404C0200AQ	113
404C0200K	111
404E0060AK	111
404E0060AQ	113
404E0060K	111
404E0066AA9	115

Part Number	Page
404E0120AK	111
404E0120AQ	113
404E0120K	111
404E0131AA9	115
404E0164AA9	115
404E0200AK	111
404E0200AQ	113
404E0200K	111
404F0060AK	111
404F0060AQ	113
404F0060K	111
404F0120AK	111
404F0120AQ	113
404F0120K	111
404F0200AK	111
404F0200AQ	113
404F0200K	111
404K0060AA9	116
404K0060AK	109
404K0060AQ	114
404K0060K	109
404K0120AA9	116
404K0120AK	109
404K0120AQ	114
404K0120K	109
404K0200AA9	116
404K0200AK	109
404K0200AQ	114
404K0200K	109
405A0060AK	111
405A0060AQ	113
405A0060K	111
405A0066AA9	115
405A0120AK	111
405A0120AQ	113
405A0120K	111
405A0131AA9	115
405A0164AA9	115
405A0200AK	111
405A0200AQ	113
405A0200K	111
405C0060AK	111
405C0060AQ	113
405C0060K	111
405C0120AK	111
405C0120AQ	113
405C0120K	111
405C0200AK	111
405C0200AQ	113
405C0200K	111
405E0060AK	111
405E0060AQ	113

Part Number	Page
405E0060K	111
405E0066AA9	115
405E0120AK	111
405E0120AQ	113
405E0120K	111
405E0131AA9	115
405E0164AA9	115
405E0200AK	111
405E0200AQ	113
405E0200K	111
405F0060AK	111
405F0060AQ	113
405F0060K	111
405F0120AK	111
405F0120AQ	113
405F0120K	111
405F0200AK	111
405F0200AQ	113
405F0200K	111
405K0060AA9	116
405K0060AK	109
405K0060AQ	114
405K0060K	109
405K0120AA9	116
405K0120AK	109
405K0120AQ	114
405K0120K	109
405K0200AA9	116
405K0200AK	109
405K0200AQ	114
405K0200K	109
406A0060AK	111
406A0060K	111
406A0120AK	111
406A0120K	111
406A0200AK	111
406A0200K	111
406C0060AK	111
406C0060K	111
406C0120AK	111
406C0120K	111
406C0200AK	111
406C0200K	111
406E0060AK	111
406E0060K	111
406E0120AK	111
406E0120K	111
406E0200AK	111
406E0200K	111
406F0060AK	111
406F0060K	111
406F0120AK	111

Part Number	Page
406F0120K	111
406F0200AK	111
406F0200K	111
406K0060AK	109
406K0060K	109
406K0120AK	109
406K0120K	109
406K0200AK	109
406K0200K	109
503A0066AB9	101
503A0066AL	93
503A0066AR	95
503A0066L	93
503A0131AB9	101
503A0131AL	93
503A0131AR	95
503A0131L	93
503A0164AB9	101
503A0164AL	93
503A0164AR	95
503A0164L	93
503C0066AL	93
503C0066AR	95
503C0066L	93
503C0131AL	93
503C0131AR	95
503C0131L	93
503C0164AL	93
503C0164AR	95
503C0164L	93
503E0066AB9	101
503E0066AL	93
503E0066AR	95
503E0066L	93
503E0131AB9	101
503E0131AL	93
503E0131AR	95
503E0131L	93
503E0164AB9	101
503E0164AL	93
503E0164AR	95
503E0164L	93
503F0066AL	93
503F0066AR	95
503F0066L	93
503F0131AL	93
503F0131AR	95
503F0131L	93
503F0164AL	93
503F0164AR	95
503F0164L	93
503K0066AB9	102

Part Number	Page
503K0066AL	91
503K0066AR	96
503K0066L	91
503K0131AB9	102
503K0131AL	91
503K0131AR	96
503K0131L	91
503K0164AB9	102
503K0164AL	91
503K0164AR	96
503K0164L	91
504A0066AB9	101
504A0066AL	93
504A0066AR	95
504A0066L	93
504A0131AB9	101
504A0131AL	93
504A0131AR	95
504A0131L	93
504A0164AB9	101
504A0164AL	93
504A0164AR	95
504A0164L	93
504C0066AL	93
504C0066AR	95
504C0066L	93
504C0131AL	93
504C0131AR	95
504C0131L	93
504C0164AL	93
504C0164AR	95
504C0164L	93
504E0066AB9	101
504E0066AL	93
504E0066AR	95
504E0066L	93
504E0131AB9	101
504E0131AL	93
504E0131AR	95
504E0131L	93
504E0164AB9	101
504E0164AL	93
504E0164AR	95
504E0164L	93
504F0066AL	93
504F0066AR	95
504F0066L	93
504F0131AL	93
504F0131AR	95
504F0131L	93
504F0164AL	93
504F0164AR	95

Part Number	Page
504F0164L	93
504K0066AB9	102
504K0066AL	91
504K0066AR	96
504K0066L	91
504K0131AB9	102
504K0131AL	91
504K0131AR	96
504K0131L	91
504K0164AB9	102
504K0164AL	91
504K0164AR	96
504K0164L	91
505A0066AB9	101
505A0066AL	93
505A0066AR	95
505A0066L	93
505A0131AB9	101
505A0131AL	93
505A0131AR	95
505A0131L	93
505A0164AB9	101
505A0164AL	93
505A0164AR	95
505A0164L	93
505C0066AL	93
505C0066AR	95
505C0066L	93
505C0131AL	93
505C0131AR	95
505C0131L	93
505C0164AL	93
505C0164AR	95
505C0164L	93
505E0066AB9	101
505E0066AL	93
505E0066AR	95
505E0066L	93
505E0131AB9	101
505E0131AL	93
505E0131AR	95
505E0131L	93
505E0164AB9	101
505E0164AL	93
505E0164AR	95
505E0164L	93
505F0066AL	93
505F0066AR	95
505F0066L	93
505F0131AL	93
505F0131AR	95
505F0131L	93

Part Number	Page
505F0164AL	93
505F0164AR	95
505F0164L	93
505K0066AB9	102
505K0066AL	91
505K0066AR	96
505K0066L	91
505K0131AB9	102
505K0131AL	91
505K0131AR	96
505K0131L	91
505K0164AB9	102
505K0164AL	91
505K0164AR	96
505K0164L	91
56-0426	155
56-0466	155
56-0496	155
602A0060C	119
602A0120C	119
602A0200C	119
602C0060C	119
602C0120C	119
602C0200C	119
602E0060C	119
602E0120C	119
602E0200C	119
602F0060C	119
602F0120C	119
602F0200C	119
602K0060C	117
602K0120C	117
602K0200C	117
603A0060C	119
603A0120C	119
603A0200C	119
603C0060C	119
603C0120C	119
603C0200C	119
603E0060C	119
603E0120C	119
603E0200C	119
603F0060C	119
603F0120C	119
603F0200C	119
603K0060C	117
603K0120C	117
603K0200C	117
604A0060C	117
604A0120C	117
604A0200C	117
604C0060C	117

TUFF-SEAL  
CROSS REFERENCE

TUFF-LINK  
CROSS REFERENCE

MINI-LINK OLD / NEW  
PART NUMBERS

ALPHA NUMERIC  
INDEX



Part Number	Page
604C0120C	117
604C0200C	117
604E0060C	119
604E0120C	119
604E0200C	119
604F0060C	119
604F0120C	119
604F0200C	119
604K0060C	117
604K0120C	117
604K0200C	117
605A0060C	119
605A0120C	119
605A0200C	119
605C0060C	119
605C0120C	119
605C0200C	119
605E0060C	119
605E0120C	119
605E0200C	119
605F0060C	119
605F0120C	119
605F0200C	119
605K0060C	117
605K0120C	117
605K0200C	117
703A0066D	99
703A0131D	99
703A0164D	99
703C0066D	99
703C0131D	99
703C0164D	99
703E0066D	99
703E0131D	99
703E0164D	99
703F0066D	99
703F0131D	99
703F0164D	99
703K0066D	100
703K0131D	100
703K0164D	100
704A0066D	99
704A0131D	99
704A0164D	99
704C0066D	99
704C0131D	99
704C0164D	99
704E0066D	99
704E0131D	99
704E0164D	99
704F0066D	99
704F0131D	99

Part Number	Page
704F0164D	99
704K0066D	100
704K0131D	100
704K0164D	100
705A0066D	99
705A0131D	99
705A0164D	99
705C0066D	99
705C0131D	99
705C0164D	99
705E0066D	99
705E0131D	99
705E0164D	99
705F0066D	99
705F0131D	99
705F0164D	99
705K0066D	100
705K0131D	100
705K0164D	100
7303-001R	58
7303-002R	58
7303-003R	58
7303-004R	58
7303-005R	58
7303-006R	58
7303-008R	58
7303-009R	58
7303-010R	58
7303-011R	58
7303-012R	58
7303-013R	58
7303-014R	58
7303-015R	58
7303-016R	58
7303-017R	58
7304-001R	59
7304-002R	59
7304-003R	59
7304-004R	59
7304-005R	59
7304-006R	59
7304-007R	59
7304-009R	59
7304-010R	59
7304-011R	59
7304-012R	59
7304-013R	59
7304-014R	59
7304-015R	59
7310-001R	58
7310-002R	58
7310-003R	58

Part Number	Page
7310-004R	58
7310-005R	58
7310-006R	58
75-0025	124, 185
75-0026	124, 185
75-0027	124, 185
75-0028	124, 185
75-0085	155, 185
75-0086	155, 185
75-0102	155, 185
75-0103	155, 185
75-0104	155, 185
75-0105	155, 185
A055000DT	166
A05A0066DD	170
A05A0066DT	168
A05A0131DD	170
A05A0131DT	168
A05A0164DD	170
A05A0164DT	168
A05AK0033DT	180
A05AL0033DT	180
A05AT	184
A05C0066DD	170
A05C0066DT	168
A05C0131DD	170
A05C0131DT	168
A05C0164DD	170
A05C0164DT	168
A05E0066DD	170
A05E0066DT	168
A05E0131DD	170
A05E0131DT	168
A05E0164DD	170
A05E0164DT	168
A05ET	184
A05F0066DD	170
A05F0066DT	168
A05F0131DD	170
A05F0131DT	168
A05F0164DD	170
A05F0164DT	168
A05FL0010M	180
A05K0066DD	171
A05K0066DT	169
A05K0131DD	171
A05K0131DT	169
A05K0164DD	171
A05K0164DT	169
A05ML0010M	180
AB05K0066DD	175
AB05K0131DD	175

Part Number	Page
AB05K0164DD	175
ALML-01	50
ALML-11	50
ALML-21	50
ALML-31	50
ALML-41	50
ALML-51	50
ALML-61	50
ALMM-01	50
ALMM-11	50
ALMM-21	50
ALMM-31	50
ALMM-41	50
ALMM-51	50
ALMM-61	50
B055000DD	167
B05A0066DD	173
B05A0131DD	173
B05A0164DD	173
B05AT	184
B05C0066DD	173
B05C0131DD	173
B05C0164DD	173
B05E0066DD	173
B05E0131DD	173
B05E0164DD	173
B05ET	184
B05F0066DD	173
B05F0131DD	173
B05F0164DD	173
B05K0066DD	174
B05K0131DD	174
B05K0164DD	174
B05R0010N	181
B05R0033DD	181
B05S0010N	181
BR09AA	38
BR09NA	38
BR11AA	38
BR13AA	38
BR13NA	38
BR16AA	38
BR21AA	38
BR21NA	38
BR29AA	38
BRM16AA	38
BRM20AA	38
BRM25AA	38
BRM32AA	38
BRM40AA	38
BRM4E12	39
BRM4E16	39

Part Number	Page
BRM4E20	39
BRM4E20-2S	39
BRM4E25	39
BRM4E32	39
BRM4E40	39
BRM4E50	39
BRM4E60	39
BRM4E63	39
BRN4E13	39
BRN4E13S	39
BRN4E21	39
BRN4E29	39
BRN4E36	39
BRN4E42	39
BRN4E48	39
E04A0066BA5	128
E04A0131BA5	128
E04A0131BA5S9	128
E04A0164BA5	128
E04A0164BA5S9	128
E04AB0010P	131
E04C0066BA5	128
E04C0131BA5	128
E04C0164BA5	128
E04E0066BA5	128
E04E0066BA5S9	128
E04E0131BA5	128
E04E0131BA5S9	128
E04E0164BA5	128
E04E0164BA5S9	128
E04F0066BA5	128
E04F0131BA5	128
E04F0164BA5	128
E04K0066BA5	129
E04K0066BA5S9	129
E04K0131BA5	129
E04K0131BA5S9	129
E04K0164BA5	129
E04K0164BA5S9	129
E04KM0066BA5	129
E04KM0066BA5S9	129
E04KM0131BA5	129
E04KM0131BA5S9	129
E04KM0164BA5	129
E04KM0164BA5S9	129
E04R0010P24	128
E04S0010P24	128
E04T0010P	131
E04W0010P16	131
E04Z0010P	131
ERJ04K0066BA5	130
ERJ04K0131BA5	130

Part Number	Page
ERJ04K0164BA5	130
ERJ04M0066BA5	130
ERJ04M0131BA5	130
ERJ04M0164BA5	130
LDL-01	49
LDL-11	49
LDL-21	49
LDL-31	49
LDL-41	49
LDL-51	49
LDL-61	49
LDM-01	49
LDM-11	49
LDM-21	49
LDM-31	49
LDM-41	49
LDM-51	49
LDM-61	49
LLSS-02	51
LLSS-12	51
LLSS-22	51
LLSS-32	51
LLSS-42	51
LLSS-52	51
LLSS-62	51
LMA-01	49
LMA-01-E	49
LMA-02	49
LMA-02-E	49
LMA-11	49
LMA-11-E	49
LMA-12	49
LMA-12-E	49
LMA-21	49
LMA-21-E	49
LMA-22	49
LMA-22-E	49
LMA-31	49
LMA-31-E	49
LMA-32	49
LMA-32-E	49
LMA-41	49
LMA-41-E	49
LMA-42	49
LMA-42-E	49
LMA-51	49
LMA-51-E	49
LMA-52	49
LMA-52-E	49
LMA-61	49
LMA-61-E	49
LMA-62	49

Part Number	Page
LMA-62-E	49
LML-01	49
LML-01-E	49
LML-02	49
LML-02-E	49
LML-11	49
LML-11-E	49
LML-12	49
LML-12-E	49
LML-21	49
LML-21-E	49
LML-22	49
LML-22-E	49
LML-31	49
LML-31-E	49
LML-32	49
LML-32-E	49
LML-41	49
LML-41-E	49
LML-42	49
LML-42-E	49
LML-51	49
LML-51-E	49
LML-52	49
LML-52-E	49
LML-61	49
LML-61-E	49
LML-62	49
LML-62-E	49
LML-71	49
LML-72	49
LML-81	49
LML-82	49
LML-91	49
LML-92	49
LML-101	49
LML-102	49
LMM-01	49
LMM-01-E	49
LMM-02	49
LMM-02-E	49
LMM-11	49
LMM-11-E	49
LMM-12	49
LMM-12-E	49
LMM-21	49
LMM-21-E	49
LMM-22	49
LMM-22-E	49
LMM-31	49
LMM-31-E	49
LMM-32	49

Part Number	Page
LMM-32-E	49
LMM-41	49
LMM-41-E	49
LMM-42	49
LMM-42-E	49
LMM-51	49
LMM-51-E	49
LMM-52	49
LMM-52-E	49
LMM-61	49
LMM-61-E	49
LMM-62	49
LMM-62-E	49
LMM-71	49
LMM-72	49
LMM-81	49
LMM-82	49
LMM-91	49
LMM-92	49
LMM-101	49
LMM-102	49
LMSS-02	51
LMSS-12	51
LMSS-22	51
LMSS-32	51
LMSS-42	51
LMSS-52	51
LMSS-62	51
LN-38	65
LN-50	39, 43, 44
LN-75	39, 43, 44
LN-100	39, 43, 44
LN-125	39, 43, 44
LN-150	39, 43, 44
LN-200	39, 43, 44
LN-250	43
LN-300	43
LN-350	43
LN-400	43
LNA-50	39, 43, 44
LNA-75	39, 43, 44
LNA-100	39, 43, 44
LNA-125	39, 43, 44
LNA-150	39, 43, 44
LNA-200	39, 43, 44
LNA-250	43
LNA-300	43
LNA-350	43
LNA-400	43
M803AFW7	85
M803CFW7	85
M803EFW7	85

 TUFF-SEAL  
 CROSS REFERENCE

 TUFF-LINK  
 CROSS REFERENCE

 MINI-LINK OLD / NEW  
 PART NUMBERS

 ALPHA NUMERIC  
 INDEX

Part Number	Page
M803FFW7	85
M804AFW7	85
M804CFW7	85
M804EFW7	85
M804FFW7	85
PC03A006611E	84
PC03A009811E	84
PC03A016411E	84
PC03A032811E	84
PC03C006611E	84
PC03C009811E	84
PC03C016411E	84
PC03C032811E	84
PC04A006611E	84
PC04A009811E	84
PC04A016411E	84
PC04A032811E	84
PC04C006611E	84
PC04C009811E	84
PC04C016411E	84
PC04C032811E	84
PC70	45
R-005-D	13, 19
R-007-D	13, 19
R-104-D	13, 19, 21
R-106-D	13, 19, 21
R-108-D	13, 19, 21
R-110-D	13, 19, 21
R-1100-D	17
R-1200-D	17
R-210-D	13, 15, 19, 21
R-212-D	13, 15, 19, 21
R-214-D	13, 19, 21
R-314-D	13, 15, 19, 21
R-316-D	13, 15, 19, 21
R-516-D	15, 19, 21
R-518-D	15, 19, 21
R-520-D	15, 19, 21
R-522-D	15, 19, 21
R-625-D	15, 19
R-627-D	15, 19
R-629-D	15, 19
R-729-D	15
R-733-D	15
R-737-D	15
R-739-D	15
R-902-D	17
R-904-D	17
RAM-16M37F	29
RAM-16M50F	29
RAM-20M50F	29

Part Number	Page
RAM-25M50F	29
RAM-25M75F	29
RAM-32M100F	29
RAM-32M125F	29
RAM-32M75F	29
RAM-40M100F	29
RAM-40M125F	29
RAM-50M150F	29
RAPG-11M37F	29
RAPG-11M50F	29
RAPG-13.5M50F	29
RAPG-16M50F	29
RAPG-21M50F	29
RAPG-21M75F	29
RAPG-29M100F	29
RAPG-29M125F	29
RAPG-36M125F	29
RAPG-36M150F	29
RAPG-42M125F	29
RAPG-42M150F	29
RBMP16-GY	41
RBMP20-GY	41
RBMP25-GY	41
RBMP32-GY	41
RBPO9-GY	41
RBP11-GY	41
RBP13-GY	41
RBP16-GY	41
RBP21-GY	41
RBP29-GY	41
RD09AA	37
RD09AR	37
RD09NA	37
RD09NR	37
RD11AA	37
RD11AR	37
RD13AA	37
RD13AR	37
RD13NA	37
RD13NR	37
RD16AA	37
RD16AR	37
RD16MA	37
RD16NA	37
RD16NR	37
RD20MA	37
RD20MR	37
RD21AA	37
RD21AR	37
RD21NA	37
RD21NR	37

Part Number	Page
RD25MA	37
RD25MR	37
RD29AA	37
RD29AR	37
RD29NA	37
RD29NR	37
RD32MA	37
RD40MA	37
RDC50A	30
RDC50S	30
RDC50SS	30
RDC75A	30
RDC75S	30
RDC75SS	30
RE13NR	38
RE13NS	38
RF09AA-BK	37
RF09AR-BK	37
RF09NA-BK	37
RF09NR-BK	37
RF11AA-BK	37
RF11AR-BK	37
RF13AA-BK	37
RF13AR-BK	37
RF13NA-BK	37
RF13NR-BK	37
RF16AA-BK	37
RF16AR-BK	37
RF16NA-BK	37
RF16NR-BK	37
RF21AA-BK	37
RF21AR-BK	37
RF21NA-BK	37
RF21NR-BK	37
RHG-106	31
RHG-206	31
RHG-207	31
RHG-306	31
RHG-307	31
RHG-406	31
RHG-407	31
RHG-408	31
RHG-506	31
RHG-507	31
RHG-508	31
RHG-606	31
RHG-607	31
RHG-608	31
RLEM12	39
RLEM16	39
RLEM20	39

Part Number	Page
RLEM25	39
RLEM32	39
RLEM40	39
RLEM50	39
RLEM60	39
RLEM63	39
RLM12-BR	40
RLM12-GY	40
RLM16	37
RLM16-BR	38
RLM20	37
RLM20-BR	38
RLM25	37
RLM25-BR	38
RLM32	37
RLM32-BR	38
RLM40	37
RLM40-BR	38
RLN-38	38
RLN-50	38
RLN-75	38
RLN09-BK	37
RLN13-BK	37, 38
RLN21-BK	37
RLN29-BK	37
RLP07	37
RLP09	37
RLP09-BK	37
RLP09-BR	38
RLP11	37
RLP11-BK	37
RLP11-BR	38
RLP13	37
RLP13-BK	37
RLP13-BR	38
RLP16	37
RLP16-BK	37
RLP16-BR	38
RLP21	37
RLP21-BK	37
RLP21-BR	38
RLP29	37
RLP29-BR	38
RPG-11103	27
RPG-11104	27
RPG-11104-E	27
RPG-11105	27
RPG-11105-E	27
RPG-11106	27
RPG-11106-E	27
RPG-11107	27

Part Number	Page
RPG-11107-E	27
RPG-11108	27
RPG-11108-E	27
RPG-11109	27
RPG-11109-E	27
RPG-11110	27
RPG-11110-E	27
RPG-13103	27
RPG-13103-E	27
RPG-13104	27
RPG-13104-E	27
RPG-13105	27
RPG-13105-E	27
RPG-13106	27
RPG-13106-E	27
RPG-13107	27
RPG-13107-E	27
RPG-13108	27
RPG-13108-E	27
RPG-13109	27
RPG-13109-E	27
RPG-13110	27
RPG-13110-E	27
RPG-16208	27
RPG-16208-E	27
RPG-16209	27
RPG-16209-E	27
RPG-16210	27
RPG-16210-E	27
RPG-16211	27
RPG-16211-E	27
RPG-16212	27
RPG-16212-E	27
RPG-16213	27
RPG-16213-E	27
RPG-21309	27
RPG-21309-E	27
RPG-21310	27
RPG-21310-E	27
RPG-21311	27
RPG-21311-E	27
RPG-21312	27
RPG-21312-E	27
RPG-21313	27
RPG-21313-E	27
RPG-21314	27
RPG-21314-E	27
RPG-21315	27
RPG-21315-E	27
RPG-21316	27
RPG-21316-E	27
RPG-29309	27

Part Number	Page
RPG-29309-E	27
RPG-29310	27
RPG-29310-E	27
RPG-29311	27
RPG-29311-E	27
RPG-29312	27
RPG-29312-E	27
RPG-29313	27
RPG-29313-E	27
RPG-29314	27
RPG-29314-E	27
RPG-29315	27
RPG-29315-E	27
RPG-29316	27
RPG-29316-E	27
RPG-29516	27
RPG-29516-E	27
RPG-29518	27
RPG-29518-E	27
RPG-29520	27
RPG-29520-E	27
RPG-29522	27
RPG-29522-E	27
RPG-36516	27
RPG-36516-E	27
RPG-36518	27
RPG-36518-E	27
RPG-36520	27
RPG-36520-E	27
RPG-36522	27
RPG-36522-E	27
RPG-42622	27
RPG-42622-E	27
RPG-42623	27
RPG-42623-E	27
RPG-42625	27
RPG-42625-E	27
RPG-42627	27
RPG-42627-E	27
RPG-42629	27
RPG-42629-E	27
RPG-48629	27
RPG-48629-E	27
RPG-48731	27
RPG-48731-E	27
RPG-48733	27
RPG-48733-E	27
RPG-48735	27
RPG-48735-E	27
RPG-48737	27
RPG-48737-E	27
RPG-48739	27

Part Number	Page
RPG-48739-E	27
RSF-3001	33
RSF-3002	33
RSF-3003	33
RSF-4001	33
RSF-4002	33
RSF-4003	33
RSF-4004	33
RSF-4005	33
RSF-4006	33
RSF-4007	33
RSF-4008	33
RSF-4009	33
RSF-4010	33
RSF-4011	33
RSF-4012	33
RSF-5001	33
RSF-5002	33
RSF-5003	33
RSF-5004	33
RSF-5005	33
RSF-5006	33
RSF-5007	33
RSF-5008	33
RSF-5009	33
RSF-5010	33
RSF-5011	33
RSF-5012	33
RSF-5013	33
RSF-5014	33
RSF-5015	33
RSF-5016	33
RSF-6001	33
RSF-6002	33
RSF-6003	33
RSF-6004	33
RSF-6005	33
RSF-6006	33
RSF-6007	33
RSF-6009	33
RSF-6010	33
RSF-6011	33
RSF-6013	33
RSF-6029	33
RSF-7001	33
RSF-7002	33
RSM-161003	28
RSM-161004	28
RSM-161004-E	28
RSM-161005	28
RSM-161005-E	28
RSM-161006	28

Part Number	Page
RSM-161006-E	28
RSM-161007	28
RSM-161007-E	28
RSM-16103	28
RSM-16104	28
RSM-16104-E	28
RSM-16105	28
RSM-16105-E	28
RSM-16106	28
RSM-16106-E	28
RSM-16107	28
RSM-16107-E	28
RSM-16108	28
RSM-16108-E	28
RSM-16109	28
RSM-16109-E	28
RSM-16110	28
RSM-16110-E	28
RSM-20103	28
RSM-20104	28
RSM-20104-E	28
RSM-20105	28
RSM-20105-E	28
RSM-20106	28
RSM-20106-E	28
RSM-20107	28
RSM-20107-E	28
RSM-20108	28
RSM-20108-E	28
RSM-20109	28
RSM-20109-E	28
RSM-20110	28
RSM-20110-E	28
RSM-25205	28
RSM-25206	28
RSM-25207	28
RSM-25208	28
RSM-25208-E	28
RSM-25209	28
RSM-25209-E	28
RSM-25210	28
RSM-25210-E	28
RSM-25211	28
RSM-25211-E	28
RSM-25212	28
RSM-25212-E	28
RSM-25213	28
RSM-25213-E	28
RSM-30308	28
RSM-30308-E	28
RSM-30309	28
RSM-30309-E	28

TUFF-SEAL  
CROSS REFERENCE

TUFF-LINK  
CROSS REFERENCE

MINI-LINK OLD / NEW  
PART NUMBERS

ALPHA NUMERIC  
INDEX



Part Number	Page
RSM-30310	28
RSM-30310-E	28
RSM-30311	28
RSM-30311-E	28
RSM-30312	28
RSM-30312-E	28
RSM-30313	28
RSM-30313-E	28
RSM-30314	28
RSM-30314-E	28
RSM-30315	28
RSM-30315-E	28
RSM-30316	28
RSM-30316-E	28
RSM-32308	28
RSM-32308-E	28
RSM-32309	28
RSM-32309-E	28
RSM-32310	28
RSM-32310-E	28
RSM-32311	28
RSM-32311-E	28
RSM-32312	28
RSM-32312-E	28
RSM-32313	28
RSM-32313-E	28
RSM-32314	28
RSM-32314-E	28
RSM-32315	28
RSM-32315-E	28
RSM-32316	28
RSM-32316-E	28
RSM-40411	28
RSM-40413	28
RSM-40414	28
RSM-40414-E	28
RSM-40416	28
RSM-40416-E	28
RSM-40418	28
RSM-40418-E	28
RSM-40420	28
RSM-40420-E	28
RSM-40422	28
RSM-40422-E	28
RSM-50511	28
RSM-50513	28
RSM-50514	28
RSM-50514-E	28
RSM-50516	28
RSM-50516-E	28
RSM-50518	28
RSM-50518-E	28

Part Number	Page
RSM-50520	28
RSM-50520-E	28
RSM-50522	28
RSM-50522-E	28
RSP-003	25
RSP-003-E	25
RSP-004	25
RSP-004-E	25
RSP-005	25
RSP-005-E	25
RSP-006	25
RSP-006-E	25
RSP-007	25
RSP-007-E	25
RSP-103	25
RSP-103-E	25
RSP-104	25
RSP-104-E	25
RSP-105	25
RSP-105-E	25
RSP-106	25
RSP-106-E	25
RSP-107	25
RSP-107-E	25
RSP-108	25
RSP-108-E	25
RSP-109	25
RSP-109-E	25
RSP-110	25
RSP-110-E	25
RSP-208	25
RSP-208-E	25
RSP-209	25
RSP-209-E	25
RSP-210	25
RSP-210-E	25
RSP-211	25
RSP-211-E	25
RSP-212	25
RSP-212-E	25
RSP-213	25
RSP-213-E	25
RSP-9103	25
RSP-9103-E	25
RSP-9104	25
RSP-9104-E	25
RSP-9105	25
RSP-9105-E	25
RSP-9106	25
RSP-9106-E	25
RSP-9107	25
RSP-9107-E	25

Part Number	Page
RSP-9108	25
RSP-9108-E	25
RSP-9109	25
RSP-9109-E	25
RSP-9110	25
RSP-9110-E	25
RSP-9209	25
RSP-9209-E	25
RSP-9210	25
RSP-9210-E	25
RSP-9211	25
RSP-9211-E	25
RSP-9212	25
RSP-9212-E	25
RSP-9213	25
RSP-9213-E	25
RSPV-003	26
RSPV-003-E	26
RSPV-004	26
RSPV-004-E	26
RSPV-005	26
RSPV-005-E	26
RSPV-006	26
RSPV-006-E	26
RSPV-007	26
RSPV-007-E	26
RSPV-103	26
RSPV-103-E	26
RSPV-104	26
RSPV-104-E	26
RSPV-105	26
RSPV-105-E	26
RSPV-106	26
RSPV-106-E	26
RSPV-107	26
RSPV-107-E	26
RSPV-108	26
RSPV-108-E	26
RSPV-109	26
RSPV-109-E	26
RSPV-110	26
RSPV-110-E	26
RSPV-208	26
RSPV-208-E	26
RSPV-209	26
RSPV-209-E	26
RSPV-210	26
RSPV-210-E	26
RSPV-211	26
RSPV-211-E	26
RSPV-212	26
RSPV-212-E	26

Part Number	Page
RSPV-213	26
RSPV-213-E	26
RSPV-9103	26
RSPV-9103-E	26
RSPV-9104	26
RSPV-9104-E	26
RSPV-9105	26
RSPV-9105-E	26
RSPV-9106	26
RSPV-9106-E	26
RSPV-9107	26
RSPV-9107-E	26
RSPV-9108	26
RSPV-9108-E	26
RSPV-9109	26
RSPV-9109-E	26
RSPV-9110	26
RSPV-9110-E	26
RSPV-9209	26
RSPV-9209-E	26
RSPV-9210	26
RSPV-9210-E	26
RSPV-9211	26
RSPV-9211-E	26
RSPV-9212	26
RSPV-9212-E	26
RSPV-9213	26
RSPV-9213-E	26
RSR-000-B	13
RSR-000-N	13, 19
RSR-000-ND	13, 19
RSR-000-W	13
RSR-0000-B	13
RSR-0000-W	13
RSR-0003	12
RSR-0004	12
RSR-0004-E	12
RSR-0005	12
RSR-0005-E	12
RSR-0006	12
RSR-0006-E	12
RSR-0007	12
RSR-0007-E	12
RSR-003	12
RSR-004	12
RSR-004-E	12
RSR-005	12
RSR-005-E	12
RSR-006	12
RSR-006-E	12
RSR-007	12
RSR-007-E	12



Part Number	Page
RSR-100-B	13
RSR-100-N	13, 19, 21
RSR-100-ND	13, 19, 21
RSR-100-W	13
RSR-1000-B	13
RSR-1000-W	13
RSR-1003	12
RSR-1004	12
RSR-1004-E	12
RSR-1005	12
RSR-1005-E	12
RSR-1006	12
RSR-1006-E	12
RSR-1007	12
RSR-1007-E	12
RSR-103	12
RSR-104	12
RSR-104-E	12
RSR-105	12
RSR-105-E	12
RSR-106	12
RSR-106-E	12
RSR-107	12
RSR-107-E	12
RSR-108	12
RSR-108-E	12
RSR-109	12
RSR-109-E	12
RSR-110	12
RSR-110-E	12
RSR-1150-B	17
RSR-1150-W	17
RSR-1151	16
RSR-1151-E	16
RSR-1152	16
RSR-1152-E	16
RSR-1153	16
RSR-1153-E	16
RSR-1200-B	13
RSR-1200-W	13
RSR-1207	69
RSR-1208	12
RSR-1208-E	12
RSR-1209	12
RSR-1209-E	12
RSR-1210	12
RSR-1210-E	12
RSR-1211	12
RSR-1211-E	12
RSR-1212	12
RSR-1212-E	12
RSR-1213	12

Part Number	Page
RSR-1213-E	12
RSR-1250-B	17
RSR-1250-W	17
RSR-1251	16
RSR-1251-E	16
RSR-1252	16
RSR-1252-E	16
RSR-1253	16
RSR-1253-E	16
RSR-200-B	13
RSR-200-N	13, 19, 21
RSR-200-ND	13, 19, 21
RSR-200-W	13
RSR-208	12
RSR-208-E	12
RSR-209	12
RSR-209-E	12
RSR-210	12
RSR-210-E	12
RSR-2100-B	13
RSR-2100-W	13
RSR-2103	12
RSR-2103-E	12
RSR-2104	12
RSR-2104-E	12
RSR-2105	12
RSR-2105-E	12
RSR-2106	12
RSR-2106-E	12
RSR-2107	12
RSR-2107-E	12
RSR-2108	12
RSR-2108-E	12
RSR-2109	12
RSR-2109-E	12
RSR-211	12
RSR-211-E	12
RSR-2110	12
RSR-2110-E	12
RSR-212	12
RSR-212-E	12
RSR-213	12
RSR-213-E	12
RSR-2300-B	13
RSR-2300-W	13
RSR-2309	12
RSR-2309-E	12
RSR-2310	12
RSR-2310-E	12
RSR-2311	12
RSR-2311-E	12
RSR-2312	12

Part Number	Page
RSR-2312-E	12
RSR-2313	12
RSR-2313-E	12
RSR-2314	12
RSR-2314-E	12
RSR-2315	12
RSR-2315-E	12
RSR-2316	12
RSR-2316-E	12
RSR-300-B	15
RSR-300-N	13, 15, 19, 21
RSR-300-ND	13, 15, 19, 21
RSR-300-ND2	13, 15, 19, 21
RSR-300-W	15, 33
RSR-309	14
RSR-309-E	14
RSR-310	14
RSR-310-E	14
RSR-311	14
RSR-311-E	14
RSR-312	14
RSR-312-E	14
RSR-313	14
RSR-313-E	14
RSR-314	14
RSR-314-E	14
RSR-315	14
RSR-315-E	14
RSR-316	14
RSR-316-E	14
RSR-3500-B	15
RSR-3500-W	15
RSR-3514	70
RSR-3516	14
RSR-3516-E	14
RSR-3518	14
RSR-3518-E	14
RSR-3520	14
RSR-3520-E	14
RSR-3522	14
RSR-3522-E	14
RSR-400-B	15
RSR-400-W	15, 33
RSR-411	14
RSR-413	14
RSR-414	14
RSR-416	14
RSR-416-E	14
RSR-418	14
RSR-418-E	14
RSR-420	14
RSR-420-E	14

Part Number	Page
RSR-422	14
RSR-422-E	14
RSR-45100-B	21
RSR-45100-W	21
RSR-45103	20
RSR-45104	20
RSR-45104-E	20
RSR-45105	20
RSR-45105-E	20
RSR-45106	20
RSR-45106-E	20
RSR-45107	20
RSR-45107-E	20
RSR-45108	20
RSR-45108-E	20
RSR-45109	20
RSR-45109-E	20
RSR-45110	20
RSR-45110-E	20
RSR-45200-B	21
RSR-45200-W	21
RSR-45208	20
RSR-45208-E	20
RSR-45209	20
RSR-45209-E	20
RSR-45210	20
RSR-45210-E	20
RSR-45211	20
RSR-45211-E	20
RSR-45212	20
RSR-45212-E	20
RSR-45213	20
RSR-45213-E	20
RSR-45300-B	21
RSR-45300-W	21
RSR-45309	20
RSR-45309-E	20
RSR-45310	20
RSR-45310-E	20
RSR-45311	20
RSR-45311-E	20
RSR-45312	20
RSR-45312-E	20
RSR-45313	20
RSR-45313-E	20
RSR-45314	20
RSR-45314-E	20
RSR-45315	20
RSR-45315-E	20
RSR-45316	20
RSR-45316-E	20
RSR-45400-B	21

TUFF-SEAL  
 CROSS REFERENCE

TUFF-LINK  
 CROSS REFERENCE

MINILINK OLD / NEW  
 PART NUMBERS

ALPHA NUMERIC  
 INDEX



Part Number	Page
RSR-45400-W	21
RSR-45411	20
RSR-45413	20
RSR-45414	20
RSR-45416	20
RSR-45416-E	20
RSR-45418	20
RSR-45418-E	20
RSR-45420	20
RSR-45420-E	20
RSR-45422	20
RSR-45422-E	20
RSR-45500-B	21
RSR-45500-W	21
RSR-45511	20
RSR-45513	20
RSR-45514	20
RSR-45516	20
RSR-45516-E	20
RSR-45518	20
RSR-45518-E	20
RSR-45520	20
RSR-45520-E	20
RSR-45522	20
RSR-45522-E	20
RSR-500-B	15
RSR-500-N	15, 19, 21
RSR-500-ND	15, 19, 21
RSR-500-W	15, 33
RSR-511	14
RSR-513	14
RSR-514	14
RSR-516	14
RSR-516-E	14
RSR-518	14
RSR-518-E	14
RSR-520	14
RSR-520-E	14
RSR-522	14
RSR-522-E	14
RSR-5600-B	15
RSR-5600-W	15
RSR-5622	14
RSR-5622-E	14
RSR-5625	14
RSR-5625-E	14
RSR-5627	14
RSR-5627-E	14
RSR-5629	14
RSR-5629-E	14
RSR-600-B	15
RSR-600-N	15, 19

Part Number	Page
RSR-600-ND	15, 19
RSR-600-W	15, 33
RSR-622	14
RSR-622-E	14
RSR-623	14
RSR-623-E	14
RSR-625	14
RSR-625-E	14
RSR-627	14
RSR-627-E	14
RSR-629	14
RSR-629-E	14
RSR-6700-B	15
RSR-6700-W	15
RSR-6729	14
RSR-6729-E	14
RSR-6731	14
RSR-6731-E	14
RSR-6733	14
RSR-6733-E	14
RSR-6735	14
RSR-6735-E	14
RSR-6737	14
RSR-6737-E	14
RSR-6739	14
RSR-6739-E	14
RSR-700-B	17
RSR-700-N	15
RSR-700-ND	15
RSR-700-W	17, 33
RSR-729	16
RSR-729-E	16
RSR-731	16
RSR-731-E	16
RSR-733	16
RSR-733-E	16
RSR-735	16
RSR-735-E	16
RSR-737	16
RSR-737-E	16
RSR-739	16
RSR-739-E	16
RSR-8700-B	17
RSR-8700-W	17
RSR-8729	16
RSR-8729-E	16
RSR-8731	16
RSR-8731-E	16
RSR-8733	16
RSR-8733-E	16
RSR-8735	16
RSR-8735-E	16

Part Number	Page
RSR-8737	16
RSR-8737-E	16
RSR-8739	16
RSR-8739-E	16
RSR-900-B	17
RSR-900-N	17
RSR-900-ND	17
RSR-900-W	17
RSR-9000-B	19
RSR-9000-W	19
RSR-9003	18
RSR-9004	18
RSR-9004-E	18
RSR-9005	18
RSR-9005-E	18
RSR-9006	18
RSR-9006-E	18
RSR-9007	18
RSR-9007-E	18
RSR-901	16
RSR-901-E	16
RSR-902	16
RSR-902-E	16
RSR-903	16
RSR-903-E	16
RSR-904	16
RSR-904-E	16
RSR-9100-B	19
RSR-9100-W	19
RSR-9103	18
RSR-9104	18
RSR-9104-E	18
RSR-9105	18
RSR-9105-E	18
RSR-9106	18
RSR-9106-E	18
RSR-9107	18
RSR-9107-E	18
RSR-9108	18
RSR-9108-E	18
RSR-9109	18
RSR-9109-E	18
RSR-9110	18
RSR-9110-E	18
RSR-9200-B	19
RSR-9200-W	19
RSR-9208	18
RSR-9208-E	18
RSR-9209	18
RSR-9209-E	18
RSR-9210	18
RSR-9210-E	18

Part Number	Page
RSR-9211	18
RSR-9211-E	18
RSR-9212	18
RSR-9212-E	18
RSR-9213	18
RSR-9213-E	18
RSR-9300-B	19
RSR-9300-W	19
RSR-9309	18
RSR-9309-E	18
RSR-9310	18
RSR-9310-E	18
RSR-9311	18
RSR-9311-E	18
RSR-9312	18
RSR-9312-E	18
RSR-9313	18
RSR-9313-E	18
RSR-9314	18
RSR-9314-E	18
RSR-9315	18
RSR-9315-E	18
RSR-9316	18
RSR-9316-E	18
RSR-9400-B	19
RSR-9400-W	19
RSR-9411	18
RSR-9413	18
RSR-9414	18
RSR-9416	18
RSR-9416-E	18
RSR-9418	18
RSR-9418-E	18
RSR-9420	18
RSR-9420-E	18
RSR-9422	18
RSR-9422-E	18
RSR-9500-B	19
RSR-9500-W	19
RSR-9511	18
RSR-9513	18
RSR-9514	18
RSR-9516	18
RSR-9516-E	18
RSR-9518	18
RSR-9518-E	18
RSR-9520	18
RSR-9520-E	18
RSR-9522	18
RSR-9522-E	18
RSR-9525	18
RSR-9525-E	18

Part Number	Page
RSR-9527	18
RSR-9527-E	18
RSR-9529	18
RSR-9529-E	18
RSR-9600-B	19
RSR-9600-W	19
RSR-9601-B	19
RSR-9601-W	19
RSR-9622	18
RSR-9622-E	18
RSR-9625	18
RSR-9625-E	18
RSR-9627	18
RSR-9627-E	18
RSR-9629	18
RSR-9629-E	18
RSRF-003	22
RSRF-004	22
RSRF-004-E	22
RSRF-005	22
RSRF-005-E	22
RSRF-006	22
RSRF-006-E	22
RSRF-007	22
RSRF-007-E	22
RSRF-103	22
RSRF-104	22
RSRF-104-E	22
RSRF-105	22
RSRF-105-E	22
RSRF-106	22
RSRF-106-E	22
RSRF-107	22
RSRF-107-E	22
RSRF-108	22
RSRF-108-E	22
RSRF-109	22
RSRF-109-E	22
RSRF-110	22
RSRF-110-E	22
RSRF-2103	22
RSRF-2104	22
RSRF-2104-E	22
RSRF-2105	22
RSRF-2105-E	22
RSRF-2106	22
RSRF-2106-E	22
RSRF-2107	22
RSRF-2107-E	22
RSRF-2108	22
RSRF-2108-E	22
RSRF-2109	22

Part Number	Page
RSRF-2109-E	22
RSRF-2110	22
RSRF-2110-E	22
RSRF-309	22
RSRF-309-E	22
RSRF-310	22
RSRF-310-E	22
RSRF-311	22
RSRF-311-E	22
RSRF-312	22
RSRF-312-E	22
RSRF-313	22
RSRF-313-E	22
RSRF-314	22
RSRF-314-E	22
RSRF-315	22
RSRF-315-E	22
RSRF-316	22
RSRF-316-E	22
RSRF-411	22
RSRF-413	22
RSRF-414	22
RSRF-416	22
RSRF-416-E	22
RSRF-418	22
RSRF-418-E	22
RSRF-420	22
RSRF-420-E	22
RSRF-422	22
RSRF-422-E	22
RSRS-003	23
RSRS-004	23
RSRS-004-E	23
RSRS-005	23
RSRS-005-E	23
RSRS-006	23
RSRS-006-E	23
RSRS-007	23
RSRS-007-E	23
RSRS-103	23
RSRS-104	23
RSRS-104-E	23
RSRS-105	23
RSRS-105-E	23
RSRS-106	23
RSRS-106-E	23
RSRS-107	23
RSRS-107-E	23
RSRS-108	23
RSRS-108-E	23
RSRS-109	23
RSRS-109-E	23

Part Number	Page
RSRS-110	23
RSRS-110-E	23
RSRS-208	23
RSRS-208-E	23
RSRS-209	23
RSRS-209-E	23
RSRS-210	23
RSRS-210-E	23
RSRS-211	23
RSRS-211-E	23
RSRS-212	23
RSRS-212-E	23
RSRS-213	23
RSRS-213-E	23
RSRS-309	23
RSRS-309-E	23
RSRS-310	23
RSRS-310-E	23
RSRS-311	23
RSRS-311-E	23
RSRS-312	23
RSRS-312-E	23
RSRS-313	23
RSRS-313-E	23
RSRS-314	23
RSRS-314-E	23
RSRS-315	23
RSRS-315-E	23
RSRS-316	23
RSRS-316-E	23
RSRS-416	23
RSRS-418	23
RSRS-420	23
RSRS-422	23
RSRS-516	23
RSRS-518	23
RSRS-520	23
RSRS-522	23
RSSS-003	24
RSSS-004	24
RSSS-004-E	24
RSSS-005	24
RSSS-005-E	24
RSSS-006	24
RSSS-006-E	24
RSSS-007	24
RSSS-007-E	24
RSSS-103	24
RSSS-104	24
RSSS-104-E	24
RSSS-105	24
RSSS-105-E	24

Part Number	Page
RSSS-106	24
RSSS-106-E	24
RSSS-107	24
RSSS-107-E	24
RSSS-108	24
RSSS-108-E	24
RSSS-109	24
RSSS-109-E	24
RSSS-110	24
RSSS-110-E	24
RSSS-208	24
RSSS-208-E	24
RSSS-209	24
RSSS-209-E	24
RSSS-210	24
RSSS-210-E	24
RSSS-211	24
RSSS-211-E	24
RSSS-212	24
RSSS-212-E	24
RSSS-213	24
RSSS-213-E	24
RSSS-309	24
RSSS-309-E	24
RSSS-310	24
RSSS-310-E	24
RSSS-311	24
RSSS-311-E	24
RSSS-312	24
RSSS-312-E	24
RSSS-313	24
RSSS-313-E	24
RSSS-314	24
RSSS-314-E	24
RSSS-315	24
RSSS-315-E	24
RSSS-316	24
RSSS-316-E	24
RSSS-411	24
RSSS-413	24
RSSS-414	24
RSSS-414-E	24
RSSS-416	24
RSSS-416-E	24
RSSS-418	24
RSSS-418-E	24
RSSS-420	24
RSSS-420-E	24
RSSS-422	24
RSSS-422-E	24
RSSS-511	24
RSSS-513	24

Part Number	Page
RSSS-514	24
RSSS-514-E	24
RSSS-516	24
RSSS-516-E	24
RSSS-518	24
RSSS-518-E	24
RSSS-520	24
RSSS-520-E	24
RSSS-522	24
RSSS-522-E	24
RSSS-622	24
RSSS-622-E	24
RSSS-625	24
RSSS-625-E	24
RSSS-627	24
RSSS-627-E	24
RSSS-629	24
RSSS-629-E	24
RSSS-6729	24
RSSS-6729-E	24
RSSS-6731	24
RSSS-6731-E	24
RSSS-6733	24
RSSS-6733-E	24
RSSS-6735	24
RSSS-6735-E	24
RSSS-6737	24
RSSS-6737-E	24
RSSS-6739	24
RSSS-6739-E	24
RSSS-729	24
RSSS-729-E	24
RSSS-731	24
RSSS-731-E	24
RSSS-733	24
RSSS-733-E	24
RSSS-735	24
RSSS-735-E	24
RSSS-737	24
RSSS-737-E	24
RSSS-739	24
RSSS-739-E	24
RSSS-901	24
RSSS-901-E	24
RSSS-902	24
RSSS-902-E	24
RSSS-903	24
RSSS-903-E	24
RSSS-904	24
RSSS-904-E	24
RTK-050-1	42
RTK-050-2	42

Part Number	Page
RTK-050-3	42
RTK-050-4	42
RTK-075-5	42
RTK-075-6	42
RTK-100-7	42
RTK-125-10	42
RTK-125-8	42
RTK-125-9	42
RTK-150-11	42
RTK-150-12	42
RTK-150-13	42
RTK-200-14	42
RTK-200-15	42
RTK-200-16	42
RTK-200-17	42
RTK-200-18	42
RTK-250-19	42
RTK-250-20	42
RTK-300-21	42
RTK-300-22	42
RTK-300-23	42
RTK-350-24	42
RTK-350-25	42
RTK-350-26	42
RTK-400-27	42
RTK-400-28	42
RTK-400-29	42
RTKN-050-1	42
RTKN-050-2	42
RTKN-050-3	42
RTKN-050-4	42
RTKN-075-5	42
RTKN-075-6	42
RTKN-100-7	42
RTKN-125-10	42
RTKN-125-8	42
RTKN-125-9	42
RTKN-150-11	42
RTKN-150-12	42
RTKN-150-13	42
RTKN-200-14	42
RTKN-200-15	42
RTKN-200-16	42
RTKN-200-17	42
RTKN-200-18	42
RTKN-250-19	42
RTKN-250-20	42
RTKN-300-21	42
RTKN-300-22	42
RTKN-300-23	42
RTKN-350-24	42
RTKN-350-25	42

Part Number	Page
RTKN-350-26	42
RTKN-400-27	42
RTKN-400-28	42
RTKN-400-29	42
RTKSS-050-1	42
RTKSS-050-2	42
RTKSS-050-3	42
RTKSS-050-4	42
RTKSS-075-5	42
RTKSS-075-6	42
RTKSS-100-7	42
RTKSS-125-10	42
RTKSS-125-8	42
RTKSS-125-9	42
RTKSS-150-11	42
RTKSS-150-12	42
RTKSS-150-13	42
RTKSS-200-14	42
RTKSS-200-15	42
RTKSS-200-16	42
RTKSS-200-17	42
RTKSS-200-18	42
RTKSS-250-19	42
RTKSS-250-20	42
RTKSS-300-21	42
RTKSS-300-22	42
RTKSS-300-23	42
RTKSS-350-24	42
RTKSS-350-25	42
RTKSS-350-26	42
RTKSS-400-27	42
RTKSS-400-28	42
RTKSS-400-29	42
RVP10-M12-SS-LT	40
RVP15-M12-NM	40
RVP15-M12-NM-LT	40
RVP15-M12-SS	40
RVP15-M12-SS-LT	40
SBF-3001	33
SBF-3002	33
SBF-3003	33
SBF-5001	33
SBF-5002	33
SBF-5003	33
SBF-5004	33
SBF-5005	33
SBF-5006	33
SBF-5007	33
SBF-5008	33
SBF-5009	33
SBF-5010	33
SBF-5011	33

Part Number	Page
SBF-5012	33
SBF-5013	33
SBF-5014	33
SBF-5015	33
SBF-5016	33
SBF-6001	33
SBF-6002	33
SBF-6003	33
SBF-6004	33
SBF-6005	33
SBF-6006	33
SBF-6007	33
SBF-6009	33
SBF-6010	33
SBF-6011	33
SBF-6013	33
SBF-6029	33
SBF-7001	33
SBF-7002	33
SL76	45
SRB-003	13, 19
SRB-004	13, 19
SRB-005	13, 19
SRB-006	13, 19
SRB-007	13, 19
SRB-100-UF1	34
SRB-100-UF2	34
SRB-100UF1	34
SRB-100UF2	34
SRB-103	13, 19, 21
SRB-103-2	34
SRB-104	13, 19, 21
SRB-104-2	34
SRB-104-3	34
SRB-105	13, 19, 21
SRB-10532-2	34
SRB-10532-3	34
SRB-10532-4	34
SRB-10564-2	34
SRB-106	13, 19, 21
SRB-107	13, 19, 21
SRB-10732-2	34
SRB-10732-3	34
SRB-108	13, 19, 21
SRB-109	13, 19, 21
SRB-10932-2	34
SRB-110	13, 19, 21
SRB-1101	17
SRB-1102	17
SRB-1103	17
SRB-1201	17
SRB-1202	17

Part Number	Page
SRB-1203	17
SRB-201764-2	34
SRB-201764-3	34
SRB-201964-2	34
SRB-201964-3	34
SRB-201964-4	34
SRB-202164-2	34
SRB-203-4	34
SRB-204-2	34
SRB-204-3	34
SRB-204-4	34
SRB-205-2	34
SRB-20516-3	34
SRB-20732-2	34
SRB-20732-4	34
SRB-208	13, 19, 21
SRB-209	13, 19, 21
SRB-20932-3	34
SRB-210	13, 19, 21
SRB-211	13, 19, 21
SRB-212	13, 19, 21
SRB-213	13, 19, 21
SRB-300-3SP1	34
SRB-300-3SP2	34
SRB-300-4SP1	34
SRB-300-4SP2	34
SRB-301964-2	34
SRB-301964-4	34
SRB-301964-5	34
SRB-303-3	34
SRB-303-4	34
SRB-304-5	34
SRB-305-3	34
SRB-306-2	34
SRB-309	13, 15, 19, 21
SRB-310	13, 15, 19, 21
SRB-311	13, 15, 19, 21
SRB-312	13, 15, 19, 21
SRB-313	13, 15, 19, 21
SRB-314	13, 15, 19, 21
SRB-315	13, 15, 19, 21
SRB-316	13, 15, 19, 21
SRB-500-2	34
SRB-506-3	34
SRB-508-2	34
SRB-509-3	34
SRB-510-2	34
SRB-511	15, 19, 21
SRB-513	15, 19, 21
SRB-514	15, 19, 21
SRB-516	15, 19, 21
SRB-518	15, 19, 21

Part Number	Page
SRB-520	15, 19, 21
SRB-522	15, 19, 21
SRB-622	15, 19
SRB-623	15
SRB-625	15, 19
SRB-627	15, 19
SRB-629	15, 19
SRB-729	15, 17
SRB-731	15, 17
SRB-733	15, 17
SRB-735	15, 17
SRB-737	15, 17
SRB-739	15, 17
SRB-901	17
SRB-902	17
SRB-903	17
SRB-904	17
SW-000	13, 19
SW-100	13, 19, 21
SW-1100	17
SW-1200	17
SW-200	13, 19, 21
SW-300	13, 15, 19, 21
SW-500	15, 19, 21
SW-600	15, 19
SW-700	15, 17
SW-913	17
SWV-411-E	46
SWV-413-E	46
SWV-414-E	46
SWV-416-E	46
SWV-418-E	46
SWV-420-E	46
SWV-422-E	46
SWV-45411-E	46
SWV-45413-E	46
SWV-45414-E	46
SWV-45416-E	46
SWV-45418-E	46
SWV-45420-E	46
SWV-45422-E	46
SWV-45511-E	46
SWV-45513-E	46
SWV-45514-E	46
SWV-45516-E	46
SWV-45518-E	46
SWV-45520-E	46
SWV-45522-E	46
SWV-511-E	46
SWV-513-E	46
SWV-514-E	46
SWV-516-E	46

Part Number	Page
SWV-518-E	46
SWV-520-E	46
SWV-522-E	46
SWV-9411-E	46
SWV-9413-E	46
SWV-9414-E	46
SWV-9416-E	46
SWV-9418-E	46
SWV-9420-E	46
SWV-9422-E	46
SWV-9511-E	46
SWV-9513-E	46
SWV-9514-E	46
SWV-9516-E	46
SWV-9518-E	46
SWV-9520-E	46
SWV-9522-E	46
TF-411	47
TF-413	47
TF-414	47
TF-416	47
TF-418	47
TF-420	47
TF-422	47
TF-45411	47
TF-45413	47
TF-45414	47
TF-45416	47
TF-45418	47
TF-45420	47
TF-45422	47
TF-45422	47
TF-45511	47
TF-45513	47
TF-45514	47
TF-45516	47
TF-45518	47
TF-45520	47
TF-45522	47
TF-511	47
TF-513	47
TF-514	47
TF-516	47
TF-518	47
TF-520	47
TF-522	47
TF-9411	47
TF-9413	47
TF-9414	47
TF-9416	47
TF-9418	47
TF-9420	47
TF-9422	47

Part Number	Page
TF-9511	47
TF-9513	47
TF-9514	47
TF-9516	47
TF-9518	47
TF-9520	47
TF-9522	47
TFSV-411	47
TFSV-413	47
TFSV-414	47
TFSV-416	47
TFSV-418	47
TFSV-420	47
TFSV-422	47
TFSV-45411	47
TFSV-45413	47
TFSV-45414	47
TFSV-45416	47
TFSV-45418	47
TFSV-45420	47
TFSV-45422	47
TFSV-45511	47
TFSV-45513	47
TFSV-45514	47
TFSV-45516	47
TFSV-45518	47
TFSV-45520	47
TFSV-45522	47
TFSV-511	47
TFSV-513	47
TFSV-514	47
TFSV-516	47
TFSV-518	47
TFSV-520	47
TFSV-522	47
TFSV-9411	47
TFSV-9413	47
TFSV-9414	47
TFSV-9416	47
TFSV-9418	47
TFSV-9420	47
TFSV-9422	47
TFSV-9511	47
TFSV-9513	47
TFSV-9514	47
TFSV-9516	47
TFSV-9518	47
TFSV-9520	47
TFSV-9522	47
TK-1100-N	17
TK-1100-ND	17
TK-1200-N	17

 TUFF-SEAL  
 CROSS REFERENCE

 TUFF-LINK  
 CROSS REFERENCE

 MINI-LINK OLD / NEW  
 PART NUMBERS

 ALPHA NUMERIC  
 INDEX




Part Number	Page
TK-1200-ND	17
WH-1	52
WH-1-CP	52
WH-1-G	52
WH-1-GCP	52
WH-1-GSS	52
WH-1-SS	52
WH-10	52
WH-10-CP	52
WH-10-GCP	52
WH-10-GSS	52
WH-10-SS	52
WH-2	52
WH-2-CP	52
WH-2-G	52
WH-2-GCP	52
WH-2-GSS	52
WH-2-SS	52
WH-3	52
WH-3-CP	52
WH-3-G	52
WH-3-GCP	52
WH-3-GSS	52
WH-3-SS	52
WH-4	52
WH-4-CP	52
WH-4-G	52
WH-4-GCP	52
WH-4-GSS	52
WH-4-SS	52
WH-5	52
WH-5-CP	52
WH-5-G	52
WH-5-GCP	52
WH-5-GSS	52
WH-5-SS	52
WH-6	52
WH-6-CP	52
WH-6-G	52
WH-6-GCP	52
WH-6-GSS	52
WH-6-SS	52
WH-7	52
WH-7-CP	52
WH-7-G	52
WH-7-GCP	52
WH-7-GSS	52
WH-7-SS	52
WH-8	52
WH-8-CP	52
WH-8-G	52
WH-8-GCP	52

Part Number	Page
WH-8-GSS	52
WH-8-SS	52
WH-9	52
WH-9-CP	52
WH-9-GCP	52
WH-9-GSS	52
WH-9-SS	52
XTK-050-1	44
XTK-050-2	44
XTK-075-5	44
XTK-075-6	44
XTK-100-7	44
XTK-125-10	44
XTK-125-8	44
XTK-125-9	44
XTK-150-11	44
XTK-150-12	44
XTK-150-13	44
XTK-200-14	44
XTK-200-15	44





# REMKE

CONNECTING POSSIBILITIES

## KEY OPERATING PRINCIPLES

### SAFETY

We operate a work environment that is clean, organized and well run.

### CONTINUOUS IMPROVEMENT

We continually look for innovative ways of operating our business.

### CUSTOMER EXPECTATIONS

We aim to understand each customer's unique expectations, to ensure that we can meet them and to deliver on our commitments.

### GREAT PLACE TO WORK

We are committed to being a friendly place to work that provides opportunities for career advancement, recognizes individual achievements, and everyone is made to feel part of the team.

### GROWTH AND PROFITABILITY

We are committed to consistent annual growth in revenue and profitability.

## OUR QUALITY POLICY

We aim to exceed our customer expectations 100% of the time.

## STRATEGY – HOW WE BUILD CUSTOMER LOYALTY

We enhance our customers productivity through ease of doing business and unique product flexibility that exceeds their expectations.



# REMKE

CONNECTING POSSIBILITIES

[WWW.REMKE.COM](http://WWW.REMKE.COM)

## U.S.A.

### REMKE INDUSTRIES INC.

310 Chaddick Drive • Wheeling, IL 60090

**(800) 383-1524** • (847) 541-3780

**FAX** (847) 541-7245

## CANADA

### TECHSPAN INDUSTRIES INC.

3131 Pepper Mill Ct. • Mississauga, Ontario

Canada L5L 4X6

**(800) 363-1588** • (905) 820-6150

**FAX** (905) 820-6142