

# WEG Standard Product Catalog

Motors, Drives, Enclosed Motor Controls, Gears, and Alternators



Register to keep your  
catalog up-to-date





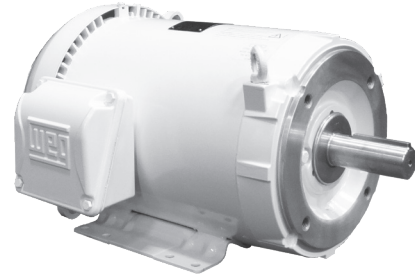
# What's NEW



**CFW500 N4X/IP66  
Washdown Drive**  
page A-151



**Expanded White Wash Down  
(Hydrowash) Ratings**  
page A-146



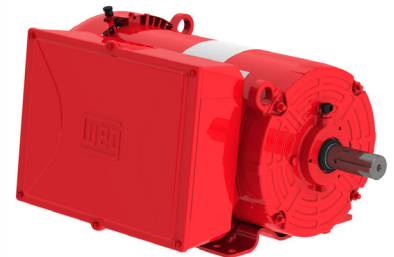
**Fractional  
Vector Duty**  
page A-268



**IE3 IEC  
Haz Loc motors**  
page A-130



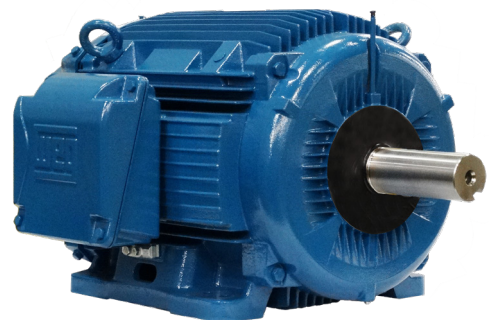
**Integral Rolled Steel  
High Torque Farm Duty**  
page A-262



**Industrial Refrigeration  
Motors**  
page A-274



**API 661  
Fin Fan Motors**  
page A-110



### Single-Phase General Purpose Motors - (A-17)

TEFC – Foot Mount	A-19
TEFC – C-Face – Foot Mount	A-21
TEFC – C-Face – Footless	A-22
TEFC – Foot Mount – Thermally Protected	A-22
ODP – Foot Mount	A-23
ODP – Resilient Base	A-24
ODP – C-Face – Foot Mount	A-25
ODP – C-Face – Footless	A-26
ODP – Foot Mount – Thermally protected	A-26

### Three-Phase General Purpose Motors - (A-28)

TEFC – Foot Mount	A-32
TEFC – C-Face – Foot Mount	A-42
TEFC – C-Face – Footless	A-46
ODP – Foot Mount	A-50
ODP – C-Face – Foot Mount	A-56
ODP – C-Face – Footless	A-60
ODP – Resilient Base	A-60
TEFC – Foot Mount and C-Face Foot Mount with Internal AEGIS® SGR	A-61
ODP – Foot Mount and C-Face Foot Mount with Internal AEGIS® SGR	A-65

#### IEEE 841 – Three-Phase

TEFC – Foot Mount – NEMA Premium®	A-69
TEFC – C-Face – Foot Mount – NEMA Premium®	A-73
TEFC – C-Face – Footless – NEMA Premium®	A-74

#### BRAKE MOTORS – Three-Phase

TEFC – Foot Mount - Cast Iron	A-76
TEFC – Foot Mount – Rolled Steel	A-78
TEFC – C-Face – Foot Mount – Rolled Steel	A-79
TEFC – C-Face – Footless – Rolled Steel	A-79

#### IEC TRU-METRIC™ - Three-Phase

TEFC – Foot Mount	A-82
TEFC – Foot Mount – (FF) B5 D-Flange Style	A-85

### Super Premium Efficiency Motors - (A-86)

#### GENERAL PURPOSE – Three-Phase

TEFC – Foot Mount – Super Premium	A-87
-----------------------------------	------

### Severe Duty – Three-Phase Motors - (A-90)

#### GENERAL PURPOSE

TEFC – Foot Mount	A-93
TEFC – C-Face – Foot Mount	A-100
TEFC – C-Face – Footless	A-102

#### IEEE 841

TEFC – Foot Mount	A-104
TEFC – C-Face – Foot Mount	A-108
TEFC – C-Face – Footless	A-109

#### CRUSHER DUTY

TEFC – Foot Mount	A-113
-------------------	-------

#### VECTOR DUTY

TENV – Foot Mount – Double C-Face	A-115
-----------------------------------	-------

#### IEC TRU-METRIC™

TEFC – Foot Mount IE3	A-117
TEFC – Foot Mount - FF-Face Motors	A-118

Single-Phase General Purpose Motors
Three-Phase General Purpose Motors
Super Premium Efficiency Motors
Severe Duty - Three-Phase Motors
Explosion Proof Motors
Wash Down Duty
Alternators
Fractional Motors
DC Motors and Gearmotors
Air Handling Motors
Speed Reducers
Pump Motors
VFDs and Enclosed Motor Controls
IEC Motors
Parts & Modifications
Farm Duty Motors
Electrical Data
Definite Purpose Motors
Mechanical Data
Medium Voltage Motors and Soft Starters
Catalog Index

Continued on next page

# Table of Contents

## SECTION A

Single-Phase General Purpose Motors	Three-Phase General Purpose Motors	Super Premium Efficiency Motors	Severe Duty - Three-Phase Motors	Explosion Proof Motors	Alternators	DC Motors and Gearmotors	Speed Reducers	VFDs and Enclosed Motor Controls	Parts & Modifications	Electrical Data	Mechanical Data	Catalog Index

### Explosion Proof Motors - (A-119)

#### SINGLE-PHASE

Foot Mount	A-121
C-Face – Foot Mount	A-121

#### THREE-PHASE

Foot Mount	A-123
C-Face – Foot Mount	A-127
C-Face – Footless	A-128
JP – Foot Mount	A-128
ATEX Foot Mount	A-131

### Washdown Duty - (A-134)

#### HYDRODUTY™ - STAINLESS STEEL

TEFC - Three-Phase - C-Face Foot Mount	A-137
TENV - Three-Phase - C-Face Foot Mount	A-137
TEFC – Three-Phase C-Face Footless	A-138
TENV – Three-Phase C-Face Footless	A-138
C-Face Foot Mount Optimal Match CFW08 Washdown Drive	A-139
C-Face Footless Optimal Match CFW08 Washdown Drive	A-140

#### PICKERPLUS™ - WHITE EPOXY

TEFC - Three-Phase - C-Face Foot Mount	A-141
TEFC – Three-Phase C-Face Footless	A-141

#### SHARK™ - STAINLESS STEEL

TEFC / TENV - Three-Phase - C-Face Foot Mount	A-142
TEFC / TENV – Three-Phase C-Face Footless	A-143
C-Face Foot Mount Optimal Match CFW08 Washdown Drive	A-144
C-Face Footless Optimal Match CFW08 Washdown Drive	A-145

#### HYDROWASH™ - WHITE EPOXY

TEFC / TENV - Three-Phase - C-Face Foot Mount	A-147
TEFC & TENV – Three-Phase C-Face Footless	A-148
TEFC – Three-Phase C-Face Rigid Base	A-148
C-Face Foot Mount Optimal Match CFW08 Washdown Drive	A-149
C-Face Footless Optimal Match CFW08 Washdown Drive	A-150
C-Face Rigid Base Optimal Match CFW08 Washdown Drive	A-150

#### WASHDOWN DUTY VARIABLE FREQUENCY DRIVE

CFW500 - N4X/IP66 w/o Disconnect Switch	A-152
CFW500 - N4X/IP66 w/ Disconnect Switch	A-153
CFW500 Options and Accessories	A-154
CFW500 Technical Data	A-155

### Fractional Motors - (A-156)

#### SINGLE-PHASE

TEFC – Foot Mount	A-159
TEFC – C-Face – Foot Mount	A-160
TEFC – C-Face – Footless	A-160
TEFC – Foot Mount – Thermally Protected	A-161
ODP – Foot Mount	A-162
ODP – Resilient Base	A-163
ODP – C-Face – Foot Mount	A-164
ODP – C-Face – Footless	A-165
ODP – Foot Mount – Thermally Protected	A-165

*Continued on next page*

## Fractional Motors - *continued*

### SECTION A

#### THREE-PHASE

TEFC – Foot Mount	A-166
TEFC – C-Face – Foot Mount	A-167
TEFC – C-Face – Footless	A-168
TEFC – Footless - Explosion Proof	A-168
ODP – Foot Mount	A-169
ODP – C-Face – Foot Mount	A-170
ODP – C-Face – Footless	A-171
ODP – Resilient Base	A-171

#### DC MOTORS

NEMA 56 PMDC Motors	A-172
NEMA 145TC PMDC Motors	A-172

#### EXPLOSION PROOF - SINGLE-PHASE

Foot Mount	A-174
C-Face – Foot Mount	A-174

#### EXPLOSION PROOF - THREE-PHASE

Foot Mount	A-175
C-Face – Foot Mount	A-175

## Air Handling Motors - (A-176)

#### COMMERCIAL HVAC MOTORS

TEFC – Single-Phase – Foot Mount	A-178
TEAO – Single-Phase – Resilient Base	A-178
TEAO – Single-Phase – Foot Mount	A-178
ODP – Single-Phase – Foot Mount	A-179
ODP – Single-Phase – Resilient Base	A-180
ODP – Three-Phase – Resilient Base	A-181
ODP – Single-Phase – Evaporative Cooler	A-181

#### HVAC MOTORS - WITH INTERNAL AEGIS® SGR

TEFC – Three-Phase – Foot Mount	A-182
ODP – Three-Phase – Foot Mount	A-186

#### COOLING TOWER MOTORS – THREE-PHASE

TEFC – Three-Phase – Foot Mount – NEMA Premium®	A-190
TEAO – Three-Phase – Foot Mount – NEMA Premium®	A-193
TEFC – Three-Phase – Double Speed (1 & 2 Windings) – High Efficiency	A-195

#### PAD MOUNT MOTORS – Three-Phase

TEAO – NEMA Premium®	A-199
----------------------	-------

## Pump Motors - (A-200)

#### JET PUMP SINGLE-PHASE (56C/56J FRAMES)

TEFC – Foot Mount	A-202
TEFC – Footless	A-202
ODP – Foot Mount	A-203
ODP – Footless	A-203
TEFC – Footless - Explosion Proof	A-203

#### JET PUMP THREE-PHASE (56C/56J FRAMES)

TEFC – Foot Mount	A-204
TEFC – Footless	A-204
ODP – Foot Mount	A-205
ODP – Footless	A-205

*Continued on next page*

Single-Phase  
General Purpose  
Motors

Three-Phase  
General Purpose  
Motors

Super Premium  
Efficiency Motors

Severe Duty -  
Three-Phase  
Motors

Explosion Proof  
Motors

Wash Down Duty

Alternators

Fractional  
Motors

DC Motors and  
Gearmotors

Air Handling  
Motors

Speed Reducers

Pump Motors

VFDs and  
Enclosed Motor  
Controls

IEC  
Motors

Parts &  
Modifications

Farm Duty  
Motors

Electrical Data

Definite Purpose  
Motors

Mechanical Data

Medium Voltage  
Motors and Soft  
Starters

Catalog Index

## SECTION A

### Pump Motors - *continued*

#### POOL & SPA SINGLE-PHASE MOTORS

ODP – C-Face – Start Capacitor – High Service Factor	A-207
ODP – Square Face – Start Capacitor – High Service Factor	A-207
ODP – C-Face – Start Capacitor – Low Service Factor	A-208
ODP – Square Face – Start Capacitor – Low Service Factor	A-208

#### CLOSE-COUPLED PUMP TEFC MOTORS

JM – TEFC – Single-Phase	A-209
JP – TEFC – Single-Phase	A-210
JM – TEFC – Three-Phase	A-212
JP – TEFC – Three-Phase	A-216
JP – TEFC – Explosion Proof	A-219

#### CLOSE-COUPLED PUMP ODP MOTORS

JM – ODP – Single-Phase	A-220
JP – ODP – Single-Phase	A-220
JM – ODP – Three-Phase	A-221
JM – ODP – Three-Phase – Footless Vertical	A-224
JP – ODP – Three-Phase	A-225
JP – ODP – Three-Phase – Footless Vertical	A-228

#### CLOSE-COUPLED PUMP TEFC MOTORS - WITH INTERNAL AEGIS® SGR

JM – TEFC – Three-Phase	A-230
JP – TEFC – Three-Phase	A-231

#### CLOSE-COUPLED PUMP ODP MOTORS - WITH INTERNAL AEGIS® SGR

JM – ODP – Three-Phase	A-232
JP – ODP – Three-Phase	A-233

#### FIRE PUMP MOTORS

ODP – Three-Phase	A-235
ODP – Three-Phase – C-Face	A-237
ODP – Three-Phase – JM - Footless Vertical	A-238
ODP – Three-Phase – JP - Footless Vertical	A-239
TEFC (50Hz) – Three-Phase – IE2	A-241

#### P-BASE MOTORS

TEFC – Three-Phase – NEMA Premium®	A-244
------------------------------------	-------

### IEC Motors - (A-246)

#### TRU-METRIC™

TEFC – Foot Mount	A-248
TEFC – Foot Mount - FF-Face	A-251

#### ATEX MOTORS

TEFC – Ex ec	A-253
TEFC – db – IE3	A-258

*Continued on next page*

Single-Phase General Purpose Motors
Three-Phase General Purpose Motors
Super Premium Efficiency Motors
Severe Duty - Three-Phase Motors
Explosion Proof Motors
Alternators
DC Motors and Gearmotors
Speed Reducers
VFDs and Enclosed Motor Controls
Parts & Modifications
Electrical Data
Mechanical Data
Catalog Index

Wash Down Duty

Fractional Motors

Air Handling Motors

Pump Motors

IEC Motors

Farm Duty Motors

Definite Purpose Motors

Medium Voltage Motors and Soft Starters

## Farm Duty Motors - (A-260)

TEFC – Single-Phase – General Purpose – Foot Mount	A-262
TEFC – Single-Phase – Auger Drive – Footless	A-263
TEAO – Single-Phase – Poultry Fan – Foot Mount	A-263
TEAO – Single-Phase – Poultry Fan – Resilient Base	A-263
PSC Direct Drive	A-263
TEAO – Three-Phase – Grain Dryer/Vane Axial Fan	A-264
TEAO – Single-Phase – Grain Dryer/Vane Axial Fan	A-264
TEAO – Single-Phase – Aeration Fan	A-264
TEAO – Three-Phase – Aeration Fan	A-264
TEFC – Single-Phase – C-Face - Foot Mount - Irrigation Duty	A-265
TEFC – Three-Phase – C-Face - Foot Mount - Irrigation Duty	A-265
Irrigation Drive Motors	A-266
Jet End Booster Pump Motors	A-266

## Definite Purpose Motors - (A-267)

### VECTOR DUTY MOTORS

TENV – Three-Phase – Foot Mount – Double C-Face	A-268
---	-------

### OIL WELL PUMPING – TEFC

TEFC – Three-Phase – NEMA Design ‘D’	A-270
--------------------------------------	-------

### COMPRESSOR DUTY MOTORS

ODP – Single-Phase – Foot Mount	A-272
ODP – Three-Phase – Foot Mount – NEMA Premium®	A-273

### REFRIGERATION MOTORS

Foot Mount	A-275
Foot Mount - RFVFD Models with Aegis Rings	A-275
Foot Mount - C-Face	A-275

### HYDRAULIC PUMP MOTORS

TEFC – Three-Phase – SAE-A – High Efficiency	A-276
--	-------

### BRAKE MOTORS

TEFC – Foot Mount - Cast Iron	A-278
TEFC – Foot Mount - Rolled Steel	A-280
TEFC – C-Face – Foot Mount - Rolled Steel	A-281
TEFC – C-Face – Footless - Rolled Steel	A-281

### SAW ARBOR MOTORS

TEFC – Three-Phase – Right-Hand Thread	A-282
TEFC – Three-Phase – Left-Hand Thread	A-282

### SOOT BLOWER MOTORS

TEFC – C-Face – Footless	A-283
--------------------------	-------

## Medium Voltage Motors and Soft Starters (A-284)

### W22 Severe Duty Motors – TEFC

W22 Medium Voltage Motors – TEFC 2300 – 4160V	A-286
W22 Medium Voltage Motors – TEFC Add-On Modifications	A-287
W22 Medium Voltage 2300V - Electrical Data	A-288
W22 Medium Voltage 4160V - Electrical Data	A-290
Mechanical Data	A-292
Medium Voltage Worksheet	A-296
SSW7000C Medium Voltage Soft Starter	A-298

## SECTION A

Single-Phase  
General Purpose  
Motors

Three-Phase  
General Purpose  
Motors

Super Premium  
Efficiency Motors

Severe Duty -  
Three-Phase  
Motors

Explosion Proof  
Motors

Alternators

DC Motors and  
Gearmotors

Speed Reducers

VFDs and  
Enclosed Motor  
Controls

Parts &  
Modifications

Electrical Data

Mechanical Data

Catalog Index

Wash Down Duty

Fractional  
Motors

Air Handling  
Motors

Pump Motors

IEC  
Motors

Farm Duty  
Motors

Definite Purpose  
Motors

Medium Voltage  
Motors and Soft  
Starters

*Continued on next page*

## SECTION A

### Synchronous Alternators - (A-299)

G Plus Line	A-300
AG10 Line	A-301
Modifications	A-302

### DC Motors and Gearmotors - (A-303)

NEMA 56 PMDC Motors	A-304
NEMA 145TC PMDC Motors	A-304
Brushes for RAE "MT" Motors	A-305
M1600 Permanent Magnet Motor - 2.375" diameter	A-306
M4000 Permanent Magnet Motor - 3.12" diameter	A-307
Dimensions	A-307

#### Parallel Shaft Gearmotors

GIL 100 Series Gearbox	A-308
GIL 200 Series Gearbox	A-309

### Speed Reducers - (A-310)

How to Order Information	A-310
TG-90™ Quill Type Speed Reducers	A-312
TG-90™ Solid Shaft Speed Reducers	A-316
Dimensions	A-320

### Variable Frequency Drives and Enclosed Motor Controls - (A-322)

**(for complete line of products see WEG's Automation Catalogs)**

CFW300 Variable Frequency Drive	A-325
CFW500 Variable Frequency Drive	A-330
CFW700 Variable Frequency Drive	A-336
CFW500 - Washdown Duty VFD	A-344
EDP11 - Enclosed VFD Panel	A-350
EDP11 - Enclosed VFD Panel - Dimensions	A-358
GPH2 - Combination Soft Starter	A-362
GPH2 - Combination Soft Starter - Dimensions	A-366
ESW Non-Combination Across the Line Starters - 3 Phase - Enclosure Type 1	A-372
ESW Non-Combination Across the Line Starters - Non-reversing - Single-Phase - Enclosure Type 1	A-373
ESW/ESWS Starters and Field Mod Kits	A-374
ESW Wiring Diagram and Dimensions	A-375
PESW Non-Combination Across the Line Starters - Enclosure Type 4X - Three Phase	A-377
PESW Non-Combination Across the Line Starters - Enclosure Type 4X - Single Phase	A-379
PESW Wiring Diagram and Dimensions	A-380
ESWC Combination Type-C Across the Line Starter	A-382
ESWE Combination Type-E Across the Line Starter Enclosure Type 4X - without CPT	A-385
ESWE Combination Type-E Across the Line Starter Enclosure Type 4X - with CPT	A-385
ESWF Combination Type-F Across the Line Starter Enclosure Type 4/12 - without CPT	A-388
ESWF Combination Type-F Across the Line Starter Enclosure Type 4/12 - with CPT	A-389
ESWX Part Number Breakdown	A-391
ESWX-M16 Series Explosion Proof Manual Motor Starters	A-392
ESWX-M25 Series Explosion Proof Manual Motor Starters	A-393

*Continued on next page*

Single-Phase General Purpose Motors
Three-Phase General Purpose Motors
Super Premium Efficiency Motors
Severe Duty - Three-Phase Motors
Explosion Proof Motors
Alternators
DC Motors and Gearmotors
Speed Reducers
VFD's and Enclosed Motor Controls
Parts & Modifications
Electrical Data
Mechanical Data
Catalog Index



## Variable Frequency Drives and Enclosed Motor Controls - *continued*

ESWX-M65 Series Explosion Proof Manual Motor Starters.....	A-393
ESWX-M100 Series Explosion Proof Manual Motor Starters.....	A-393
Accessories .....	A-394
ESWX NEMA 7/9 Series Explosion Proof Manual Motor Starters.....	A-395
ESWX Dimensional Data .....	A-396
Custom Control Panels Data Worksheet and Request for Quote .....	A-399

### Medium Voltage Starters

SSW7000C - 2300V and 4160V .....	A-401
SSW7000C Options.....	A-402
SSW7000C Dimensions .....	A-402
SSW7000C Technical Data .....	A-405

## Add-On Modifications and Parts - (A-406)

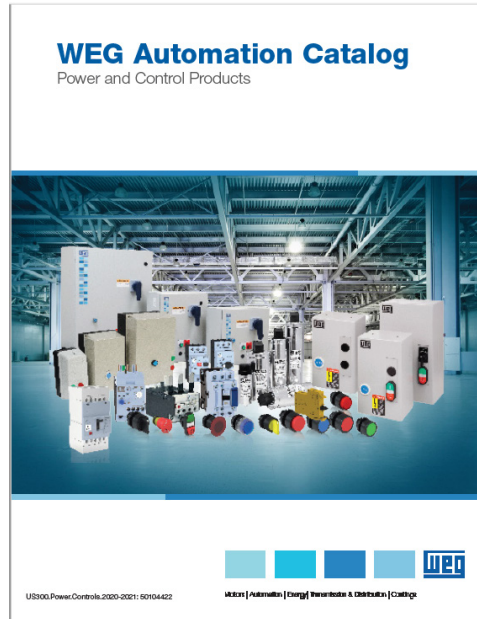
In-House Modifications .....	A-407
Factory Built Modifications .....	A-411
Parts.....	A-415

## SECTION B

<b>Electrical Data .....</b>	<b>B-1</b>
------------------------------	------------

<b>Mechanical Data .....</b>	<b>B-4</b>
------------------------------	------------

**For complete line of Automation Products see WEG's  
Automation Catalogs  
Quick Links @ [www.weg.net](http://www.weg.net)**



Single-Phase  
General Purpose  
Motors

Three-Phase  
General Purpose  
Motors

Super Premium  
Efficiency Motors

Severe Duty -  
Three-Phase  
Motors

Explosion Proof  
Motors

Wash Down Duty

Alternators

Fractional  
Motors

DC Motors and  
Gearmotors

Air Handling  
Motors

Speed Reducers

Pump Motors

VFDs and  
Enclosed Motor  
Controls

IEC  
Motors

Parts &  
Modifications

Farm Duty  
Motors

Electrical Data

Definite Purpose  
Motors

Mechanical Data

Medium Voltage  
Motors and Soft  
Starters

Catalog Index

# W22 Severe Duty Motors – TEFC

## Components Design

### Optimal Cooling System

#### Fan Cover

- Aerodynamic design
- Minimal noise levels
- Superb air flow distribution over frame
- Superior mechanical strength

#### Fan

- Reinforced fan hub structure
- Low noise design with exceptional air flow

#### Frame

- Terminal box position outlet on top 447T and larger
- Low temperature on windings and bearings
- Low noise design

#### Pad for vibration sensor

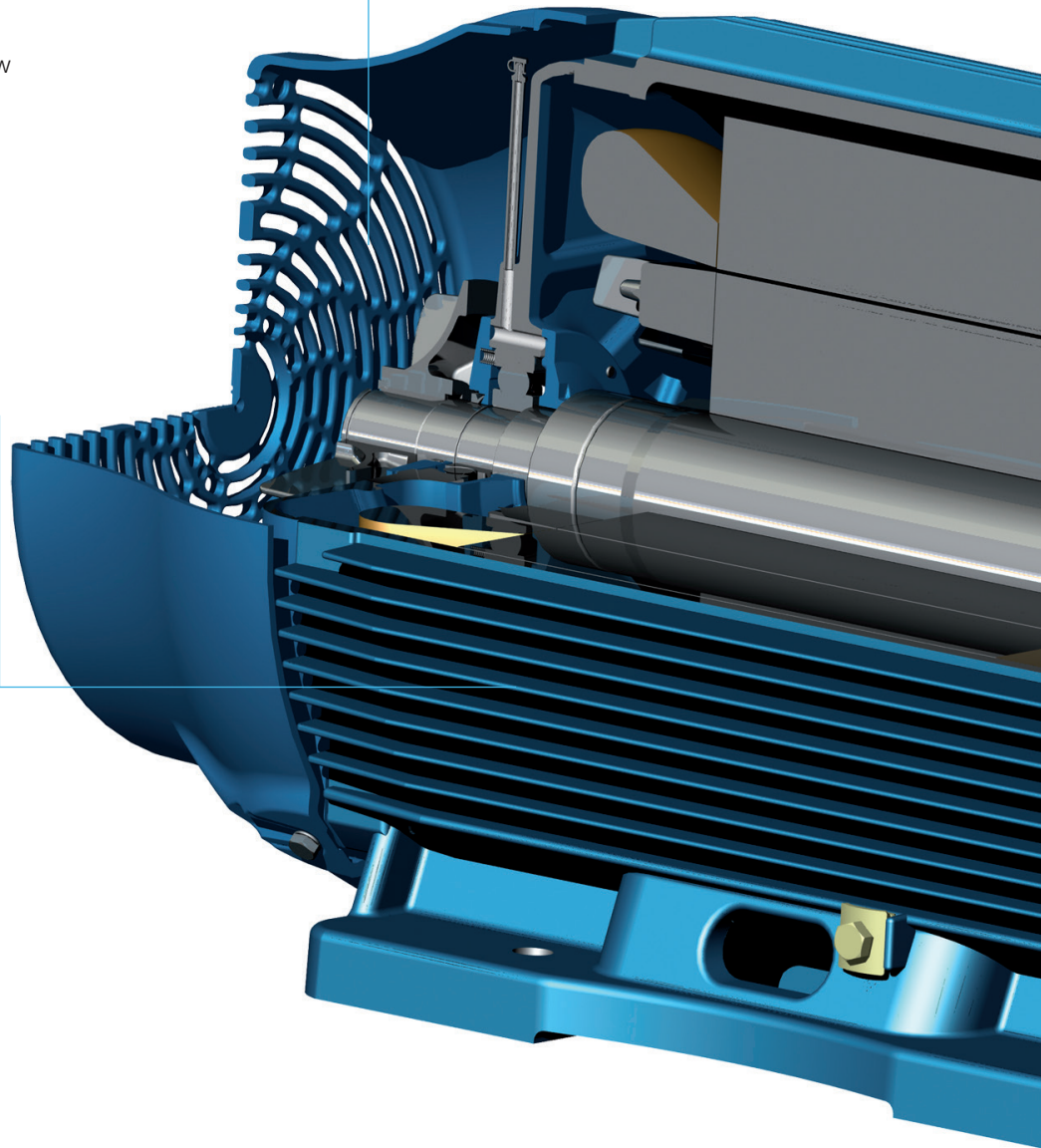
- Displaced 90° from each other

#### Enhanced Lifting Provisions

- Easy handling - horizontal & vertical
- Superior mechanical strength and handling safety

#### Solid feet

- Impact resistance
- Ideal for high vibration level applications



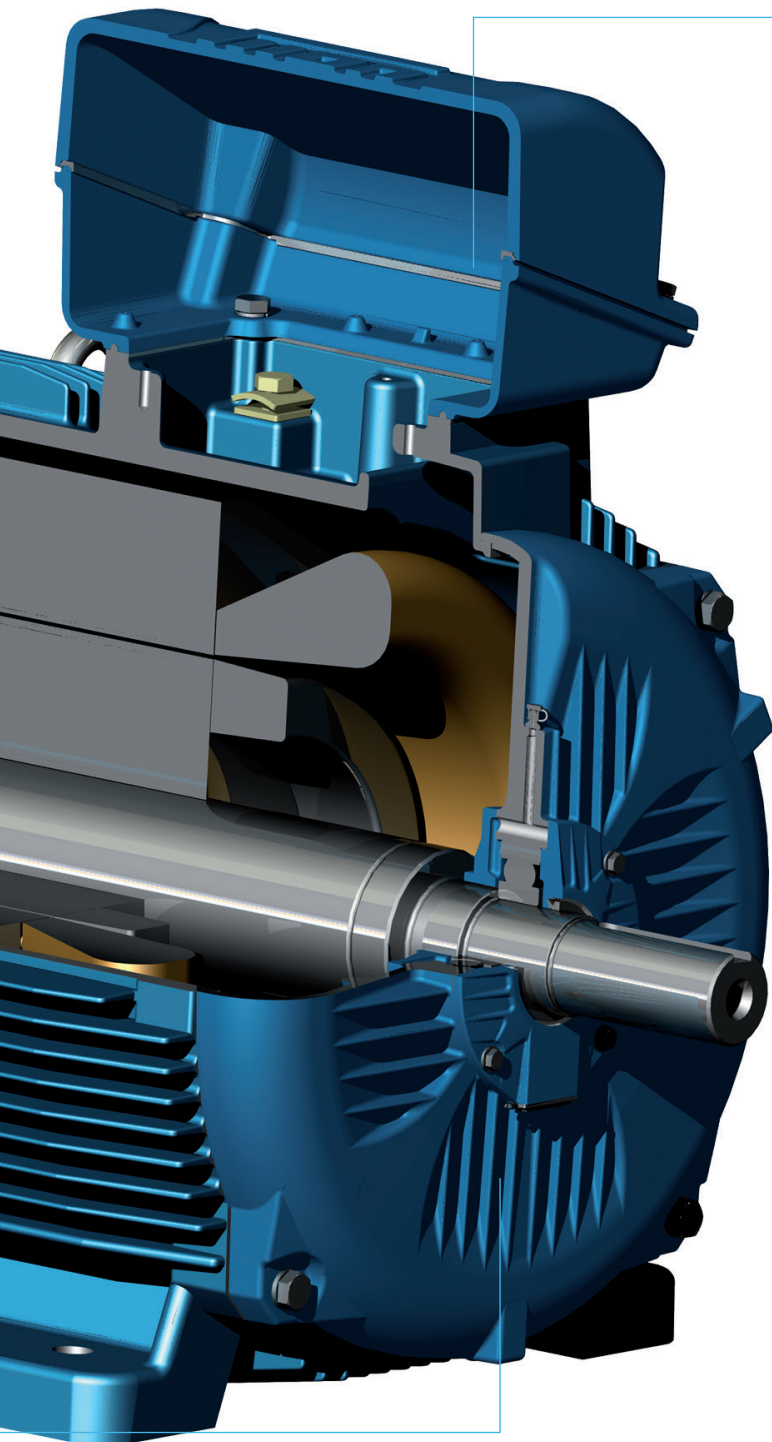
### Endshields Subsystem

#### DE (Drive Endshield)

- Fin design increases air flow
- Bearing moved outwards for better load support
- Bearing heat dissipation for reduced bearing temperature
- Reinforced endshield structure

#### NDE (Non-Drive Endshield)

- Smooth exterior surface
- Optimal air flow
- Designed for low noise
- Structural rigidity for low vibration
- Insulated housing standard on L447/9T and above



### Terminal Box

- Excellent connection quality
- Easy cable handling during installation
- Ample space available for accessory installation
- Easy to maintain
- Mounting F1/F2
- F3 Mounting optional on  $\leq 445T$
- F3 Mounting field modifiable 447T and larger
- Rotation on 90° stages

### Bearing Caps

#### External

- Finned surface for superb bearing heat dissipation

#### Internal

- Positive pressure lubrication system
- High quality bearing lubrication
- Reduced bearing temperature

### Seal Subsystem

- Excellent dust and moisture protection
- Excellent protection to high-pressure cleaning

## No-Fault Warranty (excludes Washdown motors)

Motors with frame sizes 215T and smaller are covered under a “No-Fault” warranty. This warranty claim is offered one time, per end-user, per application. If there is more than one failure, please contact the Service Department for review. The following must be sent to the WEG Service Department to process a “No-Fault” warranty claim.

- Original nameplate from the failed motor.
- Copy of the original WEG invoice or invoice # for the failed motor.
- Brief description of the failure for quality control purposes.
- Please send request no later than 30 days after failure.

## Warranty on Larger Motors

WEG Electric requires that motors larger than 215T frame be inspected by a WEG Accredited Service Center, or if none is available, an EASA-affiliated service shop. Depending on the inspection results, WEG will decide whether to cover the motor under warranty. Prior to a decision being made on a claim for warranty, the following are required from the service shop and customer.

- Completed EASA inspection report
- Repair Quote
- Copy of the original WEG Invoice or WEG Invoice Number
- For Frame 215T and above, photos of the failure in JPEG format suitable for e-mailing.

The inclusion of photos allows WEG to properly evaluate the details of your claim, as well as to ensure that any data sent to our factory Quality Control engineers are fully understood. The warranty claim will be evaluated after receipt of the above items. Upon review of the claim, the WEG Service Department will make contact and advise how to proceed. The service shop should not remove the nameplate nor make repairs without being requested to do so by a WEG Service Department representative.

NOTE: For all Ingersoll-Rand motors, please contact the WEG Service Department prior to any inspection.

## Warranty on Washdown Motors: HydroDuty™, PickerPlus™, HydroWash™ and Shark™

The warranty coverage period on these models is 24 months from date of invoice. Any warranty claim submitted to the WEG Service Department must include:

- Copy of the original WEG invoice or invoice number for the failed motor
- Brief description of the failure for quality control purposes accompanied by photographs of the motor wire connections and any other photograph supporting the claimed failure

WEG Service Department will analyze the claim, along with the supporting documents and determine if the warranty is applicable.

## Communication

Correspondence with the WEG Service Department may be via e-mail, fax or regular mail. Please keep a photocopy of all nameplates for your records.

## Limited Warranty:

WEG Electric Corp. is proud of all our product lines. WEG and its employees are committed to our customers and users to provide the best designed and manufactured motors, drives and controls. WEG provides a limited warranty on our products against defects in materials and workmanship for a specific period from the date of purchase. If a motor’s date code is within its stated warranty period (18 months, 36 months, etc.), no proof of purchase is required. Otherwise, a copy of the invoice is necessary to show the date of purchase. Purchases of WEG products from unauthorized dealers or distributors, even of otherwise “new” WEG products, voids warranty coverage. WEG’s authorized distributors are shown under “Support” “Where to Buy” on our website at [www.weg.net](http://www.weg.net)

## Warranty Period:

- The warranty for standard and high efficiency Low Voltage motors is 18 months from the invoice date.
- The warranty for Premium and Super Premium Low Voltage motors is 36 months from the invoice date.
- For W22 IEEE 841 motors, the warranty is 60 months from the invoice date.
- For Alternators the warranty period is twelve (12) months from start-up date or eighteen (18) months from invoice date, whichever occurs first.
- Custom built motors from the factory carry twelve (12) months from start-up date or eighteen (18) months from invoice date, whichever occurs first.
- Custom built W50 motors from the factory carry eighteen (18) months from start-up date or twenty-four (24) months from invoice date, whichever occurs first.
- For MV stock products the warranty period is 36 Months from invoice date.
- If the product fits in two of these options, use the larger terms as a reference.

## Authorized Service Centers:

WEG has service centers around the world to meet the needs of our customers. Information regarding the nearest service center can be found on our web site at [www.weg.net](http://www.weg.net) or by calling 1-800-ASK-4WEG (1-800-275-4934). Any warranty repair by a service shop must be pre-approved by WEG.

## Warranty Service:

If a WEG product requires warranty service due to defective materials or workmanship, WEG will, at its option, either repair or replace the defective product. By “replace”, WEG means the original purchaser’s account will be credited for the cost on the WEG invoice (less freight). If warranty is granted, and replacement is specified, the motor’s nameplate must be sent to the Service Dept. Warranty is applied to products that have been, at all times, properly maintained and operated or used under normal operating conditions for which the product was designed. WEG is not responsible for any expenses incurred in installation, removal from service, transportation (freight) or consequential expenses.

## Limitation of Warranty:

THE FOREGOING WARRANTIES ARE EXCLUSIVE AND IN LIEU OF ALL OTHER WARRANTIES OF QUALITY AND PERFORMANCE, WRITTEN, ORAL OR IMPLIED, AND ALL OTHER WARRANTIES INCLUDING ANY IMPLIED WARRANTIES OF MERCHANTABILITY OR FITNESS FOR A PARTICULAR PURPOSE OR ARISING FROM COURSE OF DEALING OR USAGE OF TRADE ARE HEREBY DISCLAIMED BY WEG. THE FOREGOING OBLIGATION TO REPAIR OR REPLACE WEG PRODUCTS OR PARTS SHALL BE THE SOLE AND EXCLUSIVE REMEDY OF THE PURCHASER, ITS CUSTOMERS, OR USERS OF THE PRODUCTS OR PARTS.

## Proper Storage of Motors:

When motors are not immediately installed, they should be stored in their normal upright position in a dry even temperature location, free of dust, gases and corrosive atmosphere. Inactive motors tend to expel grease from between the bearing surfaces, thereby removing the protective film that impedes metal-to-metal contact. At least once per month shafts should be rotated in accordance with WEG’s installation and maintenance manual. Motors stored for a period exceeding one year should have the bearings re-lubricated in accordance with the WEG motor installation and maintenance manual.

## Return Policy

WEG products that are purchased from our stocking warehouses must be returned within 90 days, freight to be paid by customer. Returned products must be unused, and in undamaged original packaging. If products are ordered incorrectly by the customer and need to be returned to stock, then a 20% re-stocking charge will be applied. If the returned products are deemed not to be in unused, undamaged condition, or in original packaging, then additional fees will be applied (up to and including full price of item). Returns on any modified products will not be allowed. Any products that are ordered as specials (with features that would not allow them to be stocked items) cannot be returned.

## Contact WEG Service:

Toll-Free: 1-800-839-2529









E-Mail: [warranty@weg.net](mailto:warranty@weg.net)

# NEMA Market Certificates and Logos

Line	Certificate	Logo	File	Certificate	VFD use
W22	UL Listed Safe area		E104590	Vol. 5 - Sec.10	Yes
	CSA Safe Area		LR 38324	2194017	Yes
	CSA Div 2		LR 50962	2156668	Yes
ODP/W40 to L6809	UL Listed Safe area		E104590		Yes
	CSA Safe Area		LR 38324	2315224	Yes
HGF//W22MV/W50	UL Listed Safe area		E104590		
	CSA Div 2		LR 50962	1959652	Yes
W22 Fire Pump	UL Listed Safe area		EX5990	Vol. 1 - Sec.4	Yes
	CSA Safe Area		LR 38324	2194017	Yes

continued on next page

NEMA Market Certificates and Logos - *continued*

Line	Certificate	Logo	File	Certificate	VFD use
<b>Rolled Steel W01</b>	CSA Safe Area		LR 38324	70014056	Yes
	CSA Div 2		LR 50962	70088957	Yes
	UL Listed Safe area		E104590	Vol. 5 - Sec.1	Yes
	UL Listed Safe area, thermally protected		E104590	Vol.1 - Sec.22	No
	UL Listed Safe area, with thermal protection certified by UL 1004-3		E125311	Vol. 1 - Sec.25	No
<b>W21X</b>	UL Listed Hazardous area		E87848		Yes
	CSA Hazardous Area		050962_C	1629892	Yes
<b>56XP</b>	UL Listed Hazardous area		E87848		No
<b>Bluffton</b>	CSA Safe Area		241536		No
<b>All WEG</b>	CSA Energy Verified		078282_0		NA

# Part Number Configuration

# Ordering

WEG catalog numbers contain up to 20 characters, distributed as follows:

<u>XXX</u> (HP)	<u>XX</u> (rpm)	<u>XXX</u> (Model)	<u>X</u> (Volts)	<u>XXXXX</u> (Application + Frame)	<u>XXXX</u> When Applicable
--------------------	--------------------	-----------------------	---------------------	---------------------------------------	--------------------------------

HP<sup>1</sup> - .12 - .16 - .25 - .33 - .50 - .75 - 001 - 0015 - 002 - 003 - 004 - 0045 - 005 - 007 - 010 - 015 - 020 - 025 - 030 - 040 - 050 - 075 - 100 - 125 - 150 - 200 - 250 - 300 - 400 - 450 - 500 - 600 - 650 ...

**RPM** -     36: 3600rpm                                 18: 1800rpm                                 12: 1200rpm                                 09: 900rpm  
               30: 3000rpm                                 15: 1500rpm                                 10: 1000rpm                                 07: 750rpm

**Model** - Three Characters:

X <u>ENCLOSURE</u>	X <u>EFFICIENCY</u>	X <u>PHASE</u>
E - Totally <u>E</u> nclosed	S - Standard Efficiency	1 - <u>1</u> Phase
S - <u>S</u> evere Duty IEEE 841	P - High Efficiency	3 - <u>3</u> Phase
O - <u>O</u> pen drip proof	T - NEMA Premium <sup>®</sup>	
X - e <u>X</u> plosion proof	G - Super Premium	
A - Totally Enclosed <u>A</u> ir Over		
N - Totally Enclosed <u>N</u> on Ventilated		

<b>Voltage</b>	
A - 115V	L - 415V
B - 115 / 208 - 230V	M - 220 / 380 - 415V
C - 208 - 230V	N - 220 / 380V
D - 230V	O - 380 - 415V
E - 230 / 460V* # useable at 208V	P - 200V
F - 230 / 460V	Q - 460V
G - 460V PWS	R - 115 / 230V
H - 575V	V - 200 / 400V
I - 220V	W - 460 // 220 - 240 / 380 - 415V
J - 380V	X - Other Voltage
K - 190 / 380V	Y - 460 // 380 - 415 / 660 - 690V

\* Suitable for PWS on 254T and larger on low voltage connection.

# For Rolled Steel Motors: 190-220/380-415V at 50Hz (derate may apply).

- For IEC Metric motors, the output will be given in kW:  
.12 - .18 - .25 - .37 - .55 - .75 - 001 - 0015 - 002 - 003 - 004 - 0045 - 005 - 007 - 009 - 011 - 015 - 018 - 022 - 030 - 037 - 045 - 055 - 075 - 090 - 110 - 130 - 150 - 185 - 200 - 220 - 250 - 300 - 315 ...
- 0015 (1.5HP) is the rating that will have four digits for output Identification and only one for RPM.
- 0045 (4.5kW) is the rating that will have four digits for output identification and only one for RPM.

## Frame

The frame number must be included as long as the number of remaining characters allows.

**Example:** 143T, 143TC, 405T, 405TS, 184JP.

## XXXX Suffix

- W22, -W2, -W or W = W22 platform
- W22S, -W2S or -WS = Single punched feet
- W22G, -W2G, -W40G or -WG = AEGIS<sup>®</sup> Ring Inside
- S = Rolled Steel platform
- SG = Rolled Steel/AEGIS<sup>®</sup> Ring inside
- SRT = Rolled Steel/short frame
- W40 or W4 = W40 platform
- SRG = Rolled Steel/short frame/AEGIS<sup>®</sup> Ring inside
- RF = Refrigeration

## Application / Feature

For Definite Purpose lines, two pre-selected letters must be used after voltage code:

- AD** - Auger Drive
- AL** - Aluminum Frame
- AX** - ATEX Motor
- BM** - Brake Motor
- CD** - Compressor Duty
- CT** - Cooling Tower
- EC** - Evaporative Cooler
- FD** - Farm Duty
- FL** - Footless for Fractionals (after frame)
- FP** - Fire Pump
- HP** - Hydraulic Pump
- ID** - Irrigation Duty
- IE** - IEEE 841 (Severe Duty IEEE 841)
- JP** - Jet Pump
- KD** - Crusher-Duty
- OL** - Manual OverLoad Protection
- OW** - Oil Well Pumping
- PC** - Permanent Capacitor
- PF** - Poultry Fan
- PFH** - Poultry Fan with High SF
- PM** - Pad Mount
- R** - (Before the frame size): Round Body
- RB** - Roller Beatings (Integrals)<sup>2</sup>
- RB** - Resilient Base (Fractionals)
- SA** - Saw Arbor
- SP** - Split Phase
- SS** - Stainless Steel
- VD** - Vector Duty (TEBC or TENV)

<sup>2</sup>Roller bearings are recommended for all belt driven applications 100HP and above.

- Models in black text are Standard Efficiency
- Models in blue text are NEMA Premium<sup>®</sup> Efficiency
- Models in green text are NEMA Super Premium Efficiency

# WEG MOTORS FOR VFD APPLICATIONS - CRITERIA

(Not applicable to motors rated for use in Division 1 hazardous areas. In such cases please contact WEG)  
Valid for TEFC NEMA Premium® & IEC Tru-Metric - W22 Platforms and ODP

## INSULATION SYSTEM (Exceeds NEMA MG 1 Part 31)

(If any of the conditions below are not met, VFD line filters must be used)

INSULATION SYSTEMS (for all NEMA frame sizes - from 143 to 589 and IEC frame sizes - from 90 to 355) - up to 690 V

Rated Voltage	Feature	Voltage Spikes motor terminals (maximum)	dV/dt inverter terminals (maximum)	Rise Time inverter terminals (minimum)	MTBP Minimum Time Between Pulse
$V_{rated} \leq 460 V$	Standard Insulation	$\leq 2000 V$	$\leq 5200 V/\mu s$	$\geq 0,1 \mu s$	$\geq 6 \mu s$
$460 V < V_{rated} \leq 575 V$	Reinforced Insulation	$\leq 2000 V$	$\leq 6500 V/\mu s$		

## BEARING PROTECTION (for all rated voltage ranges)

NEMA Frame Size	Feature
Frame $\leq 449$	· Optional: Insulated NDE endbell / insulated bearing
L449T – 589	Insulated NDE endbell standard L449 and above. Optional: insulated bearing (*) Shaft grounding recommended where insulated bearings are applied
IEC Frame Size	Feature
Frame $\leq 315$	· Optional: Insulated NDE endbell / insulated bearing
315L – 355	Insulated NDE endbell standard 315L and above. Optional: insulated bearing (*) Shaft grounding recommended where insulated bearings are applied

(\*) For insulated bearing, please contact WEG

## TORQUE CRITERIA - Valid for 2, 4, 6 and 8 pole motors

### NEMA PREMIUM® EFFICIENCY / IEC MOTORS - TEFC MOTORS

Frame Size	Constant Torque	Variable Torque
143 – 586/7 / 90 – 355 <sup>(1)</sup>	20:1 / 12:1	1000:1
586/7 / 355 <sup>(2)</sup>	6:1 / 2:1	1000:1 / 10:1

Satisfactory motor performance depends on proper drive setup - please contact WEG.

<sup>(1)</sup> For 250 HP / 185 kW or lower power motors. Also valid for 449 / 315 frames.

<sup>(2)</sup> For motors higher than 250 HP / 185 kW.

### HIGH EFFICIENCY AND NEMA PREMIUM® EFFICIENCY - ODP MOTORS

Frame Size	Constant Torque	Variable Torque
182T – 364/5T	4:1	1000:1
404/5T – 5010T	2:1	1000:1

#### NOTES:

- Maximum recommended Inverter switching frequency of 5 kHz (minimum of 2.5 kHz)
  - The speed ranges stated above are related to the motor thermal capacity only to 60HZ operated motors
  - NEMA Premium® Efficiency WEG motors of all frame sizes can also be blower cooled under request. In such case, the motor will be suitable for variable and constant torque applications rated up to 1000:1
  - NEMA Premium® Efficiency WEG motors comply with those maximum safe operating speeds established in NEMA MG1-2016, part 30 (consult table 30-1)
  - Per IEC standard 60034-18-41:
    - Exceed severe IVIC (\*\*) level phase to ground - > 2392
    - Exceed moderate IVIC (\*\*) level phase to phase - > 2563
- (\*\*) Impulse Voltage Insulation Class



## Single-Phase General Purpose Motors - (A-17)

TEFC – Foot Mount . . . . .	A-19
TEFC – C-Face – Foot Mount . . . . .	A-21
TEFC – C-Face – Footless . . . . .	A-22
TEFC – Foot Mount – Thermally Protected. . . . .	A-22
ODP – Foot Mount . . . . .	A-23
ODP – Resilient Base . . . . .	A-24
ODP – C-Face – Foot Mount . . . . .	A-25
ODP – C-Face – Footless . . . . .	A-26
ODP – Foot Mount – Thermally protected . . . . .	A-26

Please refer to back cover for description of “NOTES”

For detailed specifications, data sheets, drawings and performance curves visit <http://www.weg.net>

Data subject to change without notice.

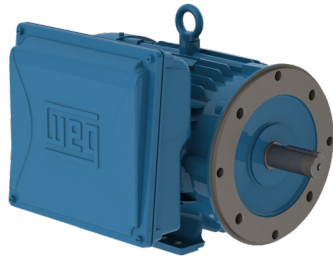
Can't find what you are looking for? Call 1-800-ASK-4WEG (275-4934)



TEFC Rolled Steel



ODP Rolled Steel



TEFC Cast Iron



Resilient Base

## TEFC & ODP

High Starting Torque makes these motors ideal for a wide range of applications.

### Standard Features:

- Ball bearings
- Class F insulation
- F1 Mounted
- V-ring Seals

### Features that make a difference:

- High Starting Torque
- 182T frames and up are cast iron for severe duty
- NPT Threaded Holes in Terminal Box



Please refer to back cover for description of "NOTES"

For detailed specifications, data sheets, drawings and performance curves visit <http://www.weg.net>

Data subject to change without notice.



# Single-Phase General Purpose Motors

Single-Phase  
General Purpose  
Motors

## TEFC - Foot Mount

HP	kW	RPM	Frame	Catalog Number	List Price	Mult. Symbol	Approx. Shipping Weight (lbs)	Service Factor	FL Amps @ High	FL. Eff (%)	"C" Dimension (in)	Voltage (V)	Notes
0.25	0.18	3600	W56	.2536ES1BW56-S	\$257	F1	20	1.15	2.10	50.0	10.713	115/208-230	9
		1800	W56	.2518ES1BW56-S	\$267	F1	20	1.15	2.30	57.0	11.106	115/208-230	9
0.33	0.25	3600	W56	.3336ES1BW56-S	\$267	F1	23	1.15	2.60	54.0	11.106	115/208-230	9
		1800	W56	.3318ES1BW56-S	\$283	F1	22	1.15	3.00	61.0	11.500	115/208-230	9
		1800	W56	.3318ES1RFDW56-S	\$284	R1	22	1.15	3.00	61.0	11.500	115/230	4,9
0.50	0.37	3600	W56	.5036ES1BW56-S	\$284	F1	24	1.15	3.50	60.0	11.500	115/208-230	9
		3600	W56	.5036ES1B0LW56-S	\$316	F1	24	1.15	3.50	60.0	11.500	115/208-230	4,9
		1800	W56	.5018ES1RFDW56-S	\$308	R1	25	1.15	4.00	64.0	11.894	115/230	4,9
		1800	W56	.5018ES1BW56-S	\$312	F1	24	1.15	4.00	64.0	11.894	115/208-230	9
		1200	56	.5012ES1B56-S	\$512	F1	38	1.15	3.20	71.0	13.508	115/208-230	9
0.75	0.55	3600	56	.7536ES1B0L56-S	\$329	F1	31	1.15	4.00	66.0	12.721	115/208-230	4,9
		3600	56	.7536ES1B56-S	\$297	F1	31	1.15	4.00	66.0	12.721	115/208-230	9
		1800	56	.7518ES1RFD56-S	\$357	R1	34	1.15	5.30	68.5	13.114	115/230	4,9
		1800	56	.7518ES1B56-S	\$348	F1	33	1.15	5.30	68.5	13.114	115/208-230	9
		1200	56	.7512ES1B56-S	\$648	F1	44	1.15	4.70	70.0	14.295	115/208-230	9
1	0.75	3600	56	00136ES1B0L56-S	\$408	F1	35	1.15	5.10	70.0	13.114	115/208-230	4,9
		3600	56	00136ES1B56-S	\$376	F1	34	1.15	5.10	70.0	13.114	115/208-230	9
		3600	143/5T	00136ES1B143T-S	\$553	RS	35	1.15	5.10	70.0	13.212	115/208-230	9
		1800	56	00118ES1RFD56-S	\$394	R1	40	1.15	6.80	71.0	13.901	115/230	4,9
		1800	56	00118ES1B56-S	\$401	F1	39	1.15	6.80	71.9	13.902	115/208-230	9
		1800	143/5T	00118ES1RFD143T-S	\$400	R1	40	1.15	6.80	71.0	13.901	115/230	4,9
		1800	143/5T	00118ES1E143T-S	\$531	RS	42	1.15	3.40	71.0	13.970	208-230/460	9
1.5	1.1	3600	56	00156ES1B56-S	\$432	F1	39	1.15	6.60	75.0	13.902	115/208-230	9
		3600	56	00156ES1B0L56-S	\$463	F1	39	1.15	6.60	75.0	13.902	115/208-230	4,9
		3600	143/5T	00156ES1B143T-S	\$602	RS	40	1.15	6.60	75.0	13.970	115/208-230	9
		1800	56H	00158ES1RFD56H-S	\$502	R1	51	1.15	7.50	77.0	15.083	115/230	4,9
		1800	56H	00158ES1B56-S	\$456	F1	40	1.15	7.50	77.0	15.083	115/208-230	9
		1800	143/5T	00158ES1RFD145T-S	\$504	R1	50	1.15	7.48	77.0	15.083	115/230	4,9
		1800	143/5T	00158ES1B145T-S	\$612	RS	48	1.15	7.50	77.0	15.152	115/208-230	9
		1800	143/5T	00158ES1E145T-S	\$611	RS	48	1.15	3.70	77.0	15.152	208-230/460	9
		1200	182T	00152ES1E182T-W22	\$1,100	W1	97	1.15	4.90	75.0	16.050	208-230/460	39

continued on next page

Please refer to back cover for description of "NOTES"

For detailed specifications, data sheets, drawings and performance curves visit <http://www.weg.net>

Data subject to change without notice.

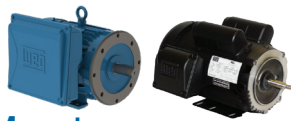
Can't find what you are looking for? Call 1-800-ASK-4WEG (275-4934)

## TEFC - Foot Mount - *continued*

HP	kW	RPM	Frame	Catalog Number	List Price	Mult. Symbol	Approx. Shipping Weight (lbs)	Service Factor	FL Amps @ High	FL Eff (%)	"C" Dimension (in)	Voltage (V)	Notes
2	1.5	3600	56	00236ES1B0L56-S	\$592	F1	44	1.15	8.70	77.0	14.295	115/208-230	4,9
		3600	56H	00236ES1B56-S	\$561	F1	44	1.15	8.70	77.0	14.295	115/208-230	9
		3600	143/5T	00236ES1E145T-S	\$640	RS	43	1.15	4.40	77.0	14.365	208-230/460	9
		3600	143/5T	00236ES1B145T-S	\$641	RS	43	1.15	8.70	77.0	14.365	115/208-230	9
		1800	56H	00218ES1RFD56H-S	\$529	R1	56	1.15	10.0	78.5	15.870	115/230	4,9
		1800	143/5T	00218ES1RFD145T-S	\$578	R1	57	1.15	10.0	78.5	15.870	115/230	4,9
		1800	143/5T	00218ES1E145T-S	\$615	RS	56	1.15	5.00	78.5	15.938	208-230/460	9
		1800	143/5T	00218ES1B145T-S	\$615	RS	56	1.15	10.0	78.5	15.938	115/208-230	9
		1800	182/4T	00218ES1RFD182T-W22	\$790	R1	89	1.15	10.0	81.0	17.244	115/230	4,39
		1200	213/5T	00212ES1E213T-W22	\$1,209	W1	125	1.15	5.30	78.0	20.984	208-230/460	39
3	2.2	3600	143/5T	00336ES1E145T-S	\$829	RS	53	1.15	6.40	80.0	15.545	208-230/460	9
		3600	143/5T	00336ES1B145T-S	\$830	RS	53	1.15	12.7	80.0	15.545	115/208-230	9
		3600	182T	00336ES1B182T-W22	\$882	W1	92	1.15	13.6	80.0	17.240	115/208-230	39
		3600	182T	00336ES1E182T-W22	\$879	W1	96	1.15	6.80	80.0	16.050	208-230/460	39
		1800	184T	00318ES1E184T-W22	\$874	W1	99	1.15	6.80	77.0	17.050	208-230/460	39
		1800	184T	00318ES1C184T-W22	\$875	W1	99	1.15	13.6	77.0	17.050	208-230	39
		1800	182/4T	00318ES1DFD184T-W22	\$915	R1	93	1.15	14.5	81.0	17.244	230	4,39
		1200	215T	00312ES1E215T-W22	\$1,327	W1	170	1.15	6.70	80.0	20.984	208-230/460	39
5	3.7	3600	184T	00536ES1E184T-W22	\$1,038	W1	110	1.15	10.5	83.0	17.050	208-230/460	39
		3600	184T	00536ES1B184T-W22	\$1,040	W1	110	1.15	21.0	83.0	17.050	115/208-230	39
		1800	184T	00518ES1E184T-W22	\$1,064	W1	118	1.15	10.7	79.0	17.050	208-230/460	39
		1800	184T	00518ES1C184T-W22	\$1,066	W1	118	1.15	21.4	79.0	17.050	208-230	39
		1800	184T	00518ES1DFD184T-W22	\$1,074	R1	119	1.15	21.4	79.0	17.050	230	4,39
		1800	213/5TZ	00518ES1DFD215Z-W22	\$1,205	R1	136	1.15	21.4	79.0	20.984	230	4,39
		1800	213/5T	00518ES1DFD215T-W22	\$1,205	R1	136	1.15	21.4	79.0	20.984	230	4,39
		1200	215T	00512ES1E215T-W22	\$1,588	W1	172	1.15	11.0	80.0	19.567	208-230/460	39
7.5	5.5	3600	213T	00736ES1E213T-W22	\$1,548	W1	147	1.15	14.9	86.0	18.021	208-230/460	39
		3600	213T	00736ES1B213T-W22	\$1,552	W1	147	1.15	29.8	86.0	18.021	115/208-230	39
		1800	215T	00718ES1E215T-W22	\$1,359	W1	164	1.15	17.0	83.0	19.567	208-230/460	39
		1800	215T	00718ES1DFD215T-W22	\$1,463	R1	168	1.15	33.0	83.0	19.567	230	4,39
		1800	215TZ	00718ES1DFD215Z-W22	\$1,463	R1	168	1.15	33.0	83.0	19.567	230	4,39
10	7.5	3600	215T	01036ES1E215T-W22	\$1,916	W1	162	1.15	19.4	86.0	19.567	208-230/460	39
		1800	215T	01018ES1E215T-W22	\$1,579	W1	188	1.15	19.5	84.0	19.567	208-230/460	39
		1800	215T	01018ES1DFD215T-W22	\$1,692	R1	193	1.15	40.0	83.0	19.567	230	4,39
12.5	9.2	3600	215T	01236ES1C215T-W22	\$2,015	W1	182	1.15	53.6	88.5	19.567	208-230	39
		1800	215T	01218ES1E215T-W22	\$1,776	W1	205	1.15	27.2	82.5	19.462	208-230/460	4,39

Please refer to back cover for description of "NOTES"

For detailed specifications, data sheets, drawings and performance curves visit <http://www.weg.net>



# Single-Phase General Purpose Motors

Single-Phase  
General Purpose  
Motors

## TEFC - C-Face - Foot Mount

HP	kW	RPM	Frame	Catalog Number	List Price	Mult. Symbol	Approx. Shipping Weight (lbs)	Service Factor	FL Amps @ High	FL. Eff (%)	"C" Dimension (in)	Voltage (V)	Notes
0.25	0.18	3600	W56C	.2536ES1BW56C-S	\$280	F1	20	1.15	2.10	50.0	10.713	115/208-230	9
		1800	W56C	.2518ES1BW56C-S	\$288	F1	20	1.15	2.30	57.0	11.106	115/208-230	9
0.33	0.25	3600	W56C	.3336ES1BW56C-S	\$288	F1	22	1.15	2.60	54.0	11.106	115/208-230	9
		1800	W56C	.3318ES1BW56C-S	\$304	F1	22	1.15	3.00	61.0	11.500	115/208-230	9
0.50	0.37	3600	W56C	.5036ES1BW56C-S	\$313	F1	24	1.15	3.50	60.0	11.500	115/208-230	9
		1800	W56C	.5018ES1BW56C-S	\$333	F1	26	1.15	4.00	64.0	11.894	115/208-230	9
		1800	W56C	.5018ES1BOW56C-S	\$348	F1	24	1.15	4.00	64.0	11.894	115/208-230	3,9
		1200	56C	.5012ES1B56C-S	\$535	F1	39	1.15	3.20	67.0	13.508	115/208-230	9
0.75	0.55	3600	56C	.7536ES1B56C-S	\$353	F1	32	1.15	4.00	66.0	12.721	115/208-230	9
		1800	56C	.7518ES1B56C-S	\$370	F1	34	1.15	5.30	68.5	13.114	115/208-230	9
		1200	56HC	.7512ES1B56C-S	\$669	F1	45	1.15	4.70	70.0	14.295	115/208-230	9
1	0.75	3600	56C	00136ES1B56C-S	\$378	F1	35	1.15	5.10	70.0	13.114	115/208-230	9
		1800	56C	00118ES1B56C-S	\$424	F1	40	1.15	6.80	71.0	13.902	115/208-230	9
		1800	56C	00118ES1B056C-S	\$439	F1	40	1.15	6.80	71.0	13.902	115/208-230	3,9
1.5	1.1	3600	56C	00156ES1B56C-S	\$454	F1	40	1.15	6.60	75.0	13.902	115/208-230	9
		1800	56HC	00158ES1B056C-S	\$493	F1	41	1.15	7.50	77.0	15.083	115/208-230	3,9
		1800	56HC	00158ES1B56C-S	\$478	F1	41	1.15	7.50	77.0	15.083	115/208-230	9
2	1.5	3600	56HC	00236ES1B56C-S	\$589	F1	44	1.15	8.70	77.0	14.295	115/208-230	9
		1800	143/5TC	00218ES1B145TC-S	\$643	RS	52	1.15	10.0	78.5	15.938	115/208-230	9
3	2.2	3600	143/5TC	00336ES1E145TC-S	\$858	RS	56	1.15	6.40	80.0	15.545	208-230/460	9
		1800	184TC	00318ES1E184TC	\$913	W1	99	1.15	6.80	77.0	17.050	208-230/460	39
		1800	184TC	00318ES1B184TC	\$913	W1	99	1.15	13.6	77.0	17.050	115/208-230	39
		1800	184TC	00318ES1C184TC	\$913	W1	99	1.15	13.6	77.0	17.050	208-230	39
5	3.7	3600	184TC	00536ES1E184TC	\$1,077	W1	109	1.15	10.5	83.0	17.050	208-230/460	39
		1800	184TC	00518ES1E184TC	\$1,103	W1	118	1.15	10.7	79.0	17.050	208-230/460	39
		1800	184TC	00518ES1C184TC-W22	\$1,103	W1	118	1.15	21.4	79.0	17.050	208-230	39
7.5	5.5	3600	213TC	00736ES1E213TC-W22	\$1,598	W1	147	1.15	14.9	86.0	18.021	208-230/460	39
		1800	215TC	00718ES1E215TC	\$1,410	W1	166	1.15	17.0	83.0	19.567	208-230/460	39
10	7.5	3600	215TC	01036ES1E215TC	\$1,970	W1	164	1.15	19.4	86.0	19.567	208-230/460	39
		1800	215TC	01018ES1E215TC	\$1,633	W1	190	1.15	19.5	84.0	19.567	208-230/460	39
12.5	9.2	1800	215TC	01218ES1E215TC	\$1,827	W1	202	1.15	24.0	84.0	19.567	208-230/460	39

Please refer to back cover for description of "NOTES"

For detailed specifications, data sheets, drawings and performance curves visit <http://www.weg.net>

Data subject to change without notice.

Can't find what you are looking for? Call 1-800-ASK-4WEG (275-4934)

# Single-Phase General Purpose Motors



Single-Phase  
General Purpose  
Motors

## TEFC - C-Face - Footless

HP	kW	RPM	Frame	Catalog Number	List Price	Mult. Symbol	Approx. Shipping Weight (lbs)	Service Factor	FL Amps @ High	FL Eff (%)	"C" Dimension (in)	Voltage (V)	Notes
0.33	0.25	3600	W56C	.3336ES1BW56CFL-S	\$288	F1	21	1.15	2.60	53.0	11.106	115/208-230	9,20
		1800	W56C	.3318ES1BW56CFL-S	\$304	F1	22	1.15	3.00	61.0	11.500	115/208-230	9,20
0.50	0.37	3600	W56C	.5036ES1BW56CFL-S	\$313	F1	24	1.15	3.50	60.0	11.500	115/208-230	9,20
		1800	W56C	.5018ES1BW56CFL-S	\$333	F1	24	1.15	4.00	64.0	11.894	115/208-230	9,20
		1200	56C	.5012ES1B56CFL-S	\$535	F1	38	1.15	3.20	71.0	13.508	115/208-230	9,20
0.75	0.55	3600	56C	.7536ES1B56CFL-S	\$353	F1	31	1.15	4.00	66.0	12.721	115/208-230	9,20
		1800	56C	.7518ES1B56CFL-S	\$370	F1	34	1.15	5.30	68.5	13.114	115/208-230	9,20
		1200	56C	.7512ES1B56CFL-S	\$669	F1	44	1.15	4.70	70.0	14.295	115/208-230	9,20
1	0.75	3600	56C	00136ES1B56CFL-S	\$378	F1	35	1.15	5.10	70.0	13.114	115/208-230	9,20
		1800	56C	00118ES1B56CFL-S	\$424	F1	39	1.15	6.80	71.0	13.902	115/208-230	9,20
		1800	143/5TC	00118ES1ER143TC-S	\$559	RS	43	1.15	3.40	71.0	13.970	208-230/460	9,15
1.5	1.1	3600	56C	00156ES1B56CFL-S	\$454	F1	39	1.15	6.60	75.0	13.902	115/208-230	9,20
		1800	56C	00158ES1B56CFL-S	\$478	F1	40	1.15	7.50	77.0	15.083	115/208-230	9,20
2	1.5	3600	56C	00236ES1B56CFL-S	\$589	F1	43	1.15	8.70	77.0	14.295	115/208-230	9,20
3	2.2	1800	184TC	00318ES1ER184TC	\$912	W1	98	1.15	6.80	77.0	17.050	208-230/460	15,39



## TEFC - Foot Mount - Thermally Protected

HP	kW	RPM	Frame	Catalog Number	List Price	Mult. Symbol	Approx. Shipping Weight (lbs)	Service Factor	FL Amps @ High	FL Eff (%)	"C" Dimension (in)	Voltage (V)	Notes
0.33	0.25	1800	W56	.3318ES1RFDW56-S	\$284	R1	22	1.15	3.00	61.0	11.500	115/230	4,9
0.50	0.37	3600	W56	.5036ES1BOLW56-S	\$316	F1	24	1.15	3.50	60.0	11.500	115/208-230	4,9
		1800	W56	.5018ES1RFDW56-S	\$308	R1	25	1.15	4.00	64.0	11.894	115/230	4,9
0.75	0.55	3600	56	.7536ES1BOL56-S	\$329	F1	31	1.15	4.00	66.0	12.721	115/208-230	4,9
		1800	56	.7518ES1RFD56-S	\$357	R1	34	1.15	5.30	68.5	13.114	115/230	4,9
1	0.75	3600	56	00136ES1BOL56-S	\$408	F1	35	1.15	5.10	70.0	13.114	115/208-230	4,9
		1800	56	00118ES1RFD56-S	\$394	R1	40	1.15	6.80	71.0	13.901	115/230	4,9
		1800	143/5T	00118ES1RFD143T-S	\$400	R1	40	1.15	6.80	71.0	13.901	115/230	4,9
1.5	1.1	3600	56	00156ES1BOL56-S	\$463	F1	39	1.15	6.60	75.0	13.902	115/208-230	4,9
		1800	56H	00158ES1RFD56H-S	\$502	R1	51	1.15	7.50	77.0	15.083	115/230	4,9
		1800	143/5T	00158ES1RFD145T-S	\$504	R1	50	1.15	7.48	77.0	15.083	115/230	4,9
2	1.5	3600	56	00236ES1BOL56-S	\$592	F1	44	1.15	8.70	77.0	14.295	115/208-230	4,9
		1800	56H	00218ES1RFD56H-S	\$529	R1	56	1.15	10.0	78.5	15.870	115/230	4,9
		1800	143/5T	00218ES1RFD145T-S	\$578	R1	57	1.15	10.0	78.5	15.870	115/230	4,9
		1800	W182/4T	00218ES1RFD182T	\$790	R1	89	1.15	10.0	81.0	17.244	115/230	4,39
3	2.2	1800	W182/4T	00318ES1DFD184T	\$915	R1	93	1.15	14.5	81.0	17.244	230	4,39
5	3.7	1800	184T	00518ES1DFD184T	\$1,074	R1	119	1.15	21.4	79.0	17.050	230	4,39
		1800	W213/5T	00518ES1DFD215T	\$1,205	R1	136	1.15	21.4	79.0	20.984	230	4,39
		1800	W213/5TZ	00518ES1DFD215Z	\$1,205	R1	136	1.15	21.4	79.0	20.984	230	4,39
7.5	5.5	1800	215T	00718ES1DFD215T	\$1,463	R1	168	1.15	33.0	83.0	19.567	230	4,39
		1800	215TZ	00718ES1DFD215Z	\$1,463	R1	168	1.15	33.0	83.0	19.567	230	4,39
10	7.5	1800	215T	01018ES1DFD215T	\$1,692	R1	193	1.15	40.0	83.0	19.567	230	4,39

Please refer to back cover for description of "NOTES"

For detailed specifications, data sheets, drawings and performance curves visit <http://www.weg.net>



# Single-Phase General Purpose Motors

Single-Phase  
General Purpose  
Motors

## ODP - Foot Mount

HP	kW	RPM	Frame	Catalog Number	List Price	Mult. Symbol	Approx. Shipping Weight (lbs)	Service Factor	FL Amps @ High	FL. Eff (%)	"C" Dimension (in)	Voltage (V)	Notes
0.12	0.09	1800	48	<a href="#">.12180S1B48-S</a>	\$201	F1B	18	1.40	1.40	50.0	9.098	115/208-230	9
		3600	48	<a href="#">.16360S1B48-S</a>	\$216	F1B	21	1.35	1.40	53.0	9.098	115/208-230	9
0.16	0.12	1800	48	<a href="#">.16180S1B48-S</a>	\$208	F1B	22	1.35	1.70	53.0	9.098	115/208-230	9
		3600	48	<a href="#">.25360T1B48-S</a>	\$253	F2B	19	1.35	1.30	66.6	9.492	115/208-230	9
0.25	0.18	3600	W56	<a href="#">.25360T1BW56-S</a>	\$253	F2B	19	1.35	1.30	66.6	9.866	115/208-230	9
		1800	48	<a href="#">.25180T1B48-S</a>	\$241	F2B	18	1.35	1.60	68.5	9.492	115/208-230	9
		1800	W56	<a href="#">.25180T1BW56-S</a>	\$241	F2B	19	1.35	1.60	68.5	9.866	115/208-230	9
		3600	48	<a href="#">.33360T1B48-S</a>	\$256	F2B	23	1.35	1.60	70.5	9.886	115/208-230	9
0.33	0.25	1800	48	<a href="#">.33180T1B48-S</a>	\$275	F2B	20	1.35	2.10	72.4	9.886	115/208-230	9
		1800	W56	<a href="#">.33180T1BW56-S</a>	\$275	F2B	21	1.35	2.10	72.4	10.260	115/208-230	9
		3600	48	<a href="#">.50360T1B48-S</a>	\$276	F2B	23	1.25	2.40	72.4	9.886	115/208-230	9
0.50	0.37	3600	W56	<a href="#">.50360S1BCDW56-S</a>	\$224	C1S	28	1.00	3.10	63.0	9.866	115/208-230	1,4,6,9
		3600	W56	<a href="#">.50360T1BW56-S</a>	\$282	F2B	24	1.25	2.40	72.4	10.260	115/208-230	9
		1800	48	<a href="#">.50180T1B48-S</a>	\$318	F2B	23	1.25	2.80	76.2	10.280	115/208-230	9
		1800	W56	<a href="#">.50180T1BW56-S</a>	\$307	F2B	23	1.25	2.80	76.2	10.654	115/208-230	9
		3600	W56	<a href="#">.75360S1BCDW56-S</a>	\$237	C1S	22	1.00	4.30	68.5	10.260	115/208-230	1,4,6,9
0.75	0.55	3600	56	<a href="#">.75360T1B56-S</a>	\$320	F2B	30	1.25	3.40	76.2	11.890	115/208-230	9
		1800	56	<a href="#">.75180T1B56-S</a>	\$387	F2B	38	1.25	3.40	81.8	11.890	115/208-230	9
		3600	56	<a href="#">001360S1BCD56-S</a>	\$278	C1S	36	1.00	6.60	67.0	11.102	115/208-230	1,4,6,9
1	0.75	3600	56	<a href="#">001360T1B56-S</a>	\$347	F2B	35	1.25	4.30	80.4	11.890	115/208-230	9
		1800	56	<a href="#">001180T1B56-S</a>	\$421	F2B	41	1.15	4.50	82.6	12.677	115/208-230	9
		1800	56	<a href="#">001180T1B056-S</a>	\$438	F2B	41	1.15	4.50	82.6	12.677	115/208-230	3,9
		3600	56	<a href="#">001560S1BCD56-S</a>	\$311	C1S	40	1.00	8.70	68.0	11.496	115/208-230	1,4,6,9
1.5	1.1	3600	56	<a href="#">001560T1B56-S</a>	\$393	F2B	38	1.15	6.20	81.5	12.284	115/208-230	9
		1800	56H	<a href="#">001580T1B56-S</a>	\$523	F2B	49	1.15	6.80	83.8	13.071	115/208-230	9
		1800	56H	<a href="#">001580T1B056-S</a>	\$541	F2B	50	1.15	6.80	83.8	13.465	115/208-230	3,9
		3600	56H	<a href="#">002360S1BCD56-S</a>	\$372	C1S	34	1.00	8.90	70.0	11.890	115/208-230	1,4,6,9
2	1.5	3600	56H	<a href="#">002360T1B56-S</a>	\$485	F2B	43	1.15	8.40	82.9	12.677	115/208-230	9
		1800	56H	<a href="#">002180T1B56-S</a>	\$626	F2B	54	1.15	9.30	84.5	13.465	115/208-230	9
		3600	56H	<a href="#">003360S1CCD56-S</a>	\$432	C1S	41	1.00	12.7	80.0	12.677	208-230	1,4,6,9
3	2.2	3600	56H	<a href="#">003360T1B56-S</a>	\$568	F2B	52	1.15	12.2	84.1	13.465	115/208-230	9
		3600	182T	<a href="#">003360S1B182T</a>	\$607	W1B	91	1.25	15.0	81.5	14.448	115/208-230	39
		3600	182T	<a href="#">003360S1C182T</a>	\$606	W1B	91	1.25	15.0	81.5	14.448	208-230	39
		1800	184T	<a href="#">003180S1B184T</a>	\$690	W1B	105	1.25	17.5	75.0	14.870	115/208-230	39
		1800	184T	<a href="#">003180S1C184T</a>	\$690	W1B	105	1.25	17.5	75.0	14.870	208-230	39
		1800	184T	<a href="#">003180S1CCDOL184T</a>	\$687	C1	99	1.15	17.5	75.0	14.875	208-230	4,6,39

continued on next page

Please refer to back cover for description of "NOTES"

For detailed specifications, data sheets, drawings and performance curves visit <http://www.weg.net>

Data subject to change without notice.

Can't find what you are looking for? Call 1-800-ASK-4WEG (275-4934)

## ODP - Foot Mount - *continued*

HP	kW	RPM	Frame	Catalog Number	List Price	Mult. Symbol	Approx. Shipping Weight (lbs)	Service Factor	FL Amps @ High	FL. Eff (%)	"C" Dimension (in)	Voltage (V)	Notes
5	3.7	3600	56H	005360S1DCD56H-S	\$458	C1S	53	1.00	20.3	80.0	13.465	230	1,4,6,9
		3600	56HZ	005360S1DCD56HZ-S	\$481	C1S	53	1.00	20.3	80.0	13.533	230	1,4,5,6,9
		3600	W182/4Y	005360S1CCDW184Y-S	\$526	C1S	56	1.00	20.7	80.0	15.152	208-230	1,4,5,6,9
		3600	184T	005360S1B184T	\$863	W1B	110	1.25	21.0	81.5	14.870	115/208-230	39
		3600	184T	005360S1C184T	\$863	W1B	110	1.25	21.0	81.5	14.870	208-230	39
		3600	184T	005360S1D184T	\$862	W1B	110	1.25	21.0	81.5	14.870	230	39
		1800	184T	005180S1C184T	\$725	W1B	107	1.25	22.0	82.5	14.870	208-230	39
		1800	184T	005180S1CCDOL184T	\$721	C1	101	1.15	21.5	82.5	14.875	208-230	4,6,39
		1800	184T	005180S1CCD184T	\$682	C1	102	1.25	21.5	82.5	14.875	208-230	6,10,39
7.5	5.5	3600	184T	007360S1C184T	\$961	W1B	120	1.25	30.0	85.0	14.870	208-230	39
		1800	213/5T	007180S1F215T	\$961	W1B	130	1.15	15.3	85.0	19.660	230/460	5,9,28
		1800	215T	007180S1CCD215T	\$961	C1	129	1.15	31.3	84.5	19.660	208-230	5,6,9,28
10	7.5	1800	215T	010180S1CCD215T	\$1,468	C1	162	1.15	43.0	85.0	21.235	208-230	5,6,9,28



## ODP - Resilient Base

HP	kW	RPM	Frame	Catalog Number	List Price	Mult. Symbol	Approx. Shipping Weight (lbs)	Service Factor	FL Amps @ High	FL. Eff (%)	"C" Dimension (in)	Voltage (V)	Notes
0.16	0.12	1800	48Z	.16180S1ASPRB048Z-S	\$272	F1B	21	1.35	3.00	50.5	10.138	115	3,9,13,16
		1800	48Z	.16180S1ASPRB48Z-S	\$260	F1B	21	1.35	3.00	50.5	10.138	115	9,13,16
0.25	0.18	1800	48Z	.25180S1BSPRB048Z-S	\$274	F1B	22	1.35	2.10	55.0	10.138	115/208-230	3,9,13,16
		1800	48Z	.25180S1ASPRB048Z-S	\$274	F1B	22	1.35	4.30	55.0	10.138	115	3,9,13,16
		1800	48Z	.25180S1ASPRB48Z-S	\$262	F1B	22	1.35	4.30	55.0	10.138	115	9,13,16
0.33	0.25	1800	48Z	.33180S1BSPRB048Z-S	\$284	F1B	24	1.35	2.60	60.8	10.138	115/208-230	3,9,13,16
		1800	48Z	.33180S1BSPRB48Z-S	\$272	F1B	24	1.35	2.60	60.8	10.138	115/208-230	9,13,16
		1800	W56	.33180S1BSPRBOW56-S	\$288	F1B	25	1.35	2.60	62.0	10.138	115/208-230	3,9,13,16
		1800	W56	.33180S1BSPRBW56-S	\$276	F1B	25	1.35	2.60	62.0	10.138	115/208-230	9,13,16
		1800	W56	.33180T1BRBOW56-S	\$325	F2B	24	1.35	2.10	72.4	10.925	115/208-230	3,9,13
0.50	0.37	1800	48Z	.50180S1BSPRB048Z-S	\$311	F1B	29	1.25	3.70	63.5	10.925	115/208-230	3,9,13,16
		1800	48Z	.50180S1BSPRB48Z-S	\$299	F1B	29	1.25	3.70	63.5	10.925	115/208-230	9,13,16
		1800	W56	.50180S1BSPRBOW56-S	\$316	F1B	30	1.25	3.70	63.5	10.945	115/208-230	3,9,13,16
		1800	W56	.50180S1BSPRBW56-S	\$304	F1B	30	1.25	3.70	63.5	10.945	115/208-230	9,13,16
		1800	W56	.50180T1BRBOW56-S	\$368	F2B	26	1.25	2.75	76.2	11.319	115/208-230	3,9,13
0.75	0.55	1800	56	.75180T1BRB056-S	\$434	F2B	38	1.25	3.40	81.8	12.402	115/208-230	3,9,13
1	0.75	1800	56	001180T1BRB056-S	\$468	F2B	43	1.15	4.50	82.6	13.189	115/208-230	3,9,13
1.5	1.1	3600	56	001560T1BRB056-S	\$450	F2B	39	1.15	6.20	81.5	12.795	115/208-230	3,9,13
		1800	56H	001580T1BRB056-S	\$570	F2B	50	1.15	6.80	83.8	13.583	115/208-230	3,9,13
2	1.5	1800	56H	002180T1BRB056H-S	\$616	F2B	57	1.15	9.30	84.5	14.373	115/208-230	3,9,13

Please refer to back cover for description of "NOTES"

For detailed specifications, data sheets, drawings and performance curves visit <http://www.weg.net>





# Single-Phase General Purpose Motors

Single-Phase  
General Purpose  
Motors

## ODP - C-Face - Foot Mount

HP	kW	RPM	Frame	Catalog Number	List Price	Mult. Symbol	Approx. Shipping Weight (lbs)	Service Factor	FL Amps @ High	FL. Eff (%)	"C" Dimension (in)	Voltage (V)	Notes
0.12	0.09	1800	48CH	<a href="#">.12180S1B48CH-S</a>	\$222	F1B	18	1.40	1.40	50.0	9.098	115/208-230	9
0.16	0.12	3600	48CH	<a href="#">.16360S1B48CH-S</a>	\$237	F1B	21	1.35	1.40	53.0	9.098	115/208-230	9
		1800	48CH	<a href="#">.16180S1B48CH-S</a>	\$231	F1B	22	1.35	1.70	53.0	9.098	115/208-230	9
0.25	0.18	3600	48CH	<a href="#">.25360T1B48CH-S</a>	\$277	F2B	19	1.35	1.30	66.6	9.492	115/208-230	9
		3600	W56C	<a href="#">.25360T1BW56C-S</a>	\$281	F2B	19	1.35	1.30	66.6	9.866	115/208-230	9
		1800	48CH	<a href="#">.25180T1B48CH-S</a>	\$269	F2B	18	1.35	1.60	68.5	9.492	115/208-230	9
		1800	W56C	<a href="#">.25180T1BW56C-S</a>	\$269	F2B	19	1.35	1.60	68.5	9.866	115/208-230	9
0.33	0.25	3600	48CH	<a href="#">.33360T1B48CH-S</a>	\$282	F2B	23	1.35	1.60	70.5	9.886	115/208-230	9
		3600	W56C	<a href="#">.33360T1BW56C-S</a>	\$285	F2B	23	1.35	1.60	70.5	10.260	115/208-230	9
		1800	48CH	<a href="#">.33180T1B48CH-S</a>	\$299	F2B	20	1.35	2.10	72.4	9.886	115/208-230	9
		1800	W56C	<a href="#">.33180T1BW56C-S</a>	\$303	F2B	21	1.35	2.10	72.4	10.260	115/208-230	9
0.50	0.37	3600	48CH	<a href="#">.50360T1B48CH-S</a>	\$300	F2B	23	1.25	2.40	72.4	9.886	115/208-230	9
		3600	W56C	<a href="#">.50360T1BW56C-S</a>	\$310	F2B	24	1.25	2.40	72.4	10.260	115/208-230	9
		1800	W56C	<a href="#">.50180T1BOW56C-S</a>	\$352	F2B	24	1.25	2.80	76.2	10.654	115/208-230	3,9
		1800	W56C	<a href="#">.50180T1BW56C-S</a>	\$335	F2B	24	1.25	2.80	76.2	10.654	115/208-230	9
0.75	0.55	3600	56C	<a href="#">.75360T1B56C-S</a>	\$348	F2B	30	1.25	3.40	76.2	11.890	115/208-230	9
		1800	56C	<a href="#">.75180T1B56C-S</a>	\$415	F2B	38	1.25	3.40	81.8	11.890	115/208-230	9
1	0.75	3600	56C	<a href="#">001360T1B56C-S</a>	\$375	F2B	35	1.25	4.30	80.4	11.890	115/208-230	9
		1800	56C	<a href="#">001180T1B56C-S</a>	\$449	F2B	41	1.15	4.50	82.6	12.677	115/208-230	9
1.5	1.1	3600	56C	<a href="#">001560T1B56C-S</a>	\$421	F2B	38	1.15	6.20	81.5	12.284	115/208-230	9
		1800	56HC	<a href="#">001580T1B56C-S</a>	\$551	F2B	49	1.15	6.80	83.8	13.071	115/208-230	9
2	1.5	3600	56HC	<a href="#">002360T1B56C-S</a>	\$513	F2B	43	1.15	8.40	82.9	12.677	115/208-230	9
		1800	56HC	<a href="#">002180T1B56C-S</a>	\$654	F2B	54	1.15	9.30	84.5	13.465	115/208-230	9
3	2.2	3600	56HC	<a href="#">003360T1B56C-S</a>	\$596	F2B	52	1.15	12.2	84.1	13.465	115/208-230	9

Please refer to back cover for description of "NOTES"

For detailed specifications, data sheets, drawings and performance curves visit <http://www.weg.net>

Data subject to change without notice.

Can't find what you are looking for? Call 1-800-ASK-4WEG (275-4934)

# Single-Phase General Purpose Motors



Single-Phase  
General Purpose  
Motors

## ODP - C-Face - Footless

HP	kW	RPM	Frame	Catalog Number	List Price	Mult. Symbol	Approx. Shipping Weight (lbs)	Service Factor	FL Amps @ High	FL. Eff (%)	"C" Dimension (in)	Voltage (V)	Notes
0.33	0.25	3600	W56C	<a href="#">.33360T1BW56CFL-S</a>	\$285	F2B	23	1.35	1.60	70.5	10.260	115/208-230	9,20
		3600	W56C	<a href="#">.33360T1BOW56CFL-S</a>	\$302	F2B	23	1.35	1.60	70.5	10.260	115/208-230	3,9,20
		1800	W56C	<a href="#">.33180T1BW56CFL-S</a>	\$303	F2B	20	1.35	2.10	72.4	10.260	115/208-230	9,20
0.50	0.37	3600	W56C	<a href="#">.50360T1BOW56CFL-S</a>	\$327	F2B	23	1.25	2.40	72.4	10.260	115/208-230	3,9,20
		3600	W56C	<a href="#">.50360T1BW56CFL-S</a>	\$310	F2B	23	1.25	2.40	72.4	10.260	115/208-230	9,20
		1800	W56C	<a href="#">.50180T1BW56CFL-S</a>	\$335	F2B	23	1.25	2.80	76.2	10.654	115/208-230	9,20
0.75	0.55	3600	56C	<a href="#">.75360T1B056CFL-S</a>	\$365	F2B	29	1.25	3.40	76.2	11.890	115/208-230	3,9,20
		3600	56C	<a href="#">.75360T1B56CFL-S</a>	\$348	F2B	29	1.25	3.40	76.2	11.890	115/208-230	9,20
		1800	56C	<a href="#">.75180T1B56CFL-S</a>	\$415	F2B	38	1.25	3.40	81.8	11.890	115/208-230	9,20
1	0.75	3600	56C	<a href="#">001360T1B56CFL-S</a>	\$375	F2B	35	1.25	4.30	80.4	11.890	115/208-230	9,20
		3600	56C	<a href="#">001360T1B056CFL-S</a>	\$392	F2B	35	1.25	4.30	80.4	11.890	115/208-230	3,9,20
		1800	56C	<a href="#">001180T1B56CFL-S</a>	\$449	F2B	41	1.15	4.50	82.6	12.677	115/208-230	9,20
1.5	1.1	3600	56C	<a href="#">001560T1B56CFL-S</a>	\$421	F2B	38	1.15	6.20	81.5	12.284	115/208-230	9,20
		3600	56C	<a href="#">001560T1B056CFL-S</a>	\$438	F2B	38	1.15	6.20	81.5	12.284	115/208-230	3,9,20,51
		1800	56C	<a href="#">001580T1B56CFL-S</a>	\$551	F2B	48	1.15	6.80	83.8	13.071	115/208-230	9,20
2	1.5	3600	56C	<a href="#">002360T1B56CFL-S</a>	\$513	F2B	43	1.15	8.40	82.9	12.677	115/208-230	9,20
		3600	56C	<a href="#">002360T1B056CFL-S</a>	\$530	F2B	43	1.15	8.40	82.9	12.677	115/208-230	3,9,20,51
		1800	56C	<a href="#">002180T1B56CFL-S</a>	\$654	F2B	54	1.15	9.30	84.5	13.465	115/208-230	9,20
3	2.2	3600	56C	<a href="#">003360T1B056CFL-S</a>	\$613	F2B	51	1.15	12.2	84.1	13.465	115/208-230	3,9,20
		3600	56C	<a href="#">003360T1B56CFL-S</a>	\$596	F2B	51	1.15	12.2	84.1	13.465	115/208-230	9,20



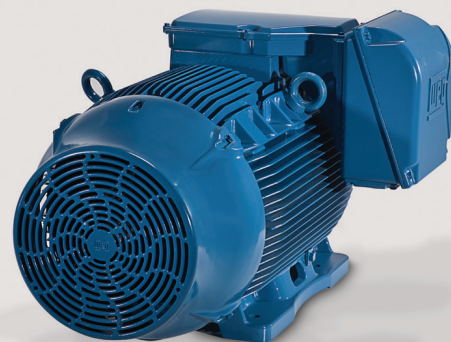
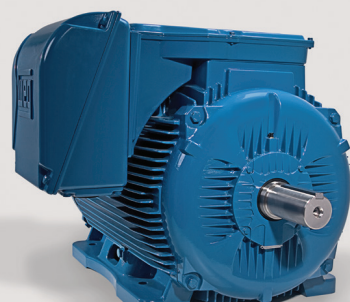
## ODP - Foot Mount - Thermally Protected

HP	kW	RPM	Frame	Catalog Number	List Price	Mult. Symbol	Approx. Shipping Weight (lbs)	Service Factor	FL Amps @ High	FL. Eff (%)	"C" Dimension (in)	Voltage (V)	Notes
0.50	0.37	3600	W56	<a href="#">.50360S1BCDW56-S</a>	\$224	C1S	28	1.00	3.10	63.0	9.866	115/208-230	1,4,6,9
0.75	0.55	3600	W56	<a href="#">.75360S1BCDW56-S</a>	\$237	C1S	22	1.00	4.30	68.5	10.260	115/208-230	1,4,6,9
1	0.75	3600	56	<a href="#">001360S1BCD56-S</a>	\$278	C1S	36	1.00	6.60	67.0	11.102	115/208-230	1,4,6,9
		1800	56	<a href="#">001180T1B056-S</a>	\$438	F2B	41	1.15	4.50	82.6	12.677	115/208-230	3,9
1.5	1.1	3600	56	<a href="#">001560S1BCD56-S</a>	\$311	C1S	40	1.00	8.70	68.0	11.496	115/208-230	1,4,6,9
		1800	56H	<a href="#">001580T1B056-S</a>	\$541	F2B	50	1.15	6.80	83.8	13.465	115/208-230	3,9
2	1.5	3600	56H	<a href="#">002360S1BCD56-S</a>	\$372	C1S	34	1.00	8.90	70.0	11.890	115/208-230	1,4,6,9
3	2.2	3600	56H	<a href="#">003360S1CCD56-S</a>	\$432	C1S	41	1.00	12.7	80.0	12.677	208-230	1,4,6,9
5	3.7	3600	56H	<a href="#">005360S1DCD56H-S</a>	\$458	C1S	53	1.00	20.3	80.0	13.465	230	1,4,6,9
		3600	56HZ	<a href="#">005360S1DCD56HZ-S</a>	\$481	C1S	53	1.00	20.3	80.0	13.533	230	1,4,5,6,9
		3600	W182/4Y	<a href="#">005360S1CCDW184Y-S</a>	\$526	C1S	56	1.00	20.7	80.0	15.152	208-230	1,4,5,6,9

Please refer to back cover for description of "NOTES"

For detailed specifications, data sheets, drawings and performance curves visit <http://www.weg.net>

# MUCH MORE than your **Typical** **CAST IRON MOTOR**



You do not need a special motor for severe duty applications.  
**Severe Duty is standard with WEG W22 motors.**

- Severe Duty (IP55)
- 1.25 SF (up to 100 HP)
- IEEE841 Vibration Levels
- Certified Class I, Div 2
- Inverter Rated 20:1 CT

Available in NEMA Premium or Super Premium Efficiency Levels



**ASK WHAT WEG  
CAN DO FOR YOU!**

TEFC – Foot Mount	A-32
TEFC – C-Face – Foot Mount	A-42
TEFC – C-Face – Footless	A-46
ODP – Foot Mount	A-50
ODP – C-Face – Foot Mount	A-56
ODP – C-Face – Footless	A-60
ODP – Resilient Base	A-60
TEFC – Foot Mount and C-Face Foot Mount with Internal AEGIS® SGR	A-61
ODP – Foot Mount and C-Face Foot Mount with Internal AEGIS® SGR	A-65
<b>IEEE 841 – Three-Phase</b>	
TEFC – Foot Mount – NEMA Premium®	A-69
TEFC – C-Face – Foot Mount – NEMA Premium®	A-73
TEFC – C-Face – Footless – NEMA Premium®	A-74
<b>BRAKE MOTORS – Three-Phase</b>	
TEFC – Foot Mount - Cast Iron	A-76
TEFC – Foot Mount – Rolled Steel	A-78
TEFC – C-Face – Foot Mount – Rolled Steel	A-79
TEFC – C-Face – Footless – Rolled Steel	A-79
<b>IEC TRU-METRIC™ - Three-Phase</b>	
TEFC – Foot Mount	A-82
TEFC – Foot Mount – (FF) <b>B5 D-Flange Style</b>	A-85

Please refer to back cover for description of "NOTES"

For detailed specifications, data sheets, drawings and performance curves visit <http://www.weg.net>

# Three Phase General Purpose Motors

W22 - CAST IRON

## Standard Features:

- 50/60 Hz rated (380V on nameplate - 400/415 available)
- Rated 50HZ at same horsepower up to 250HP 1.0 Service Factor for 2, 4 & 6 pole motors
- Rated 50Hz at same horsepower up to 125HP 1.0 Service Factor for 8 pole motors
- Class F insulation (impregnation resin and magnet wire are class H)
- F1 mounted (cast iron frames are F2 convertible). Frames 447T and up can easily be F2 converted by simply rotating the terminal box adapter
- Cast iron frames: regreasable ball bearings (frames 254T and up)
- Gasketed conduit box

## Inverter Rated\*

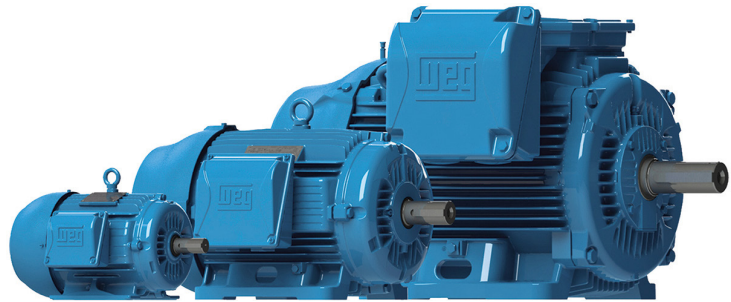
**1000:1 for Variable Torque**

**NEMA Premium®**

**20:1 Constant Torque up to 250HP**

**6:1 Constant Torque 300HP and up**

**\* Insulated NDE housing standard on L447/9T and above**



Three-Phase  
General Purpose  
Motors

## Features that make a difference:

- All NEMA Premium® ratings have a 1.25 Service Factor (up to 100 HP) resulting in cooler operation and extended life of the motor
- All Cast Iron Construction, including Terminal Box and Fan Cover\*
- Solid feet for reduced vibration levels and impact absorption
- Optimized ventilation system for cooler operation and extended life
- High Grade FC200 cast iron provides superior mechanical strength and heat dissipation
- All WEG W22 motors are Totally Enclosed Fan Cooled with a true IP55 rating against dust and moisture. (IP56, IP65 and IP66 available as options)
- Exclusive W-Seal 364T and larger provides superior bearing protection
- Taconite Labyrinth seal 586 Frame and larger
- Exclusive WEG painting system exceed 200hrs ASTM 117 corrosion test (Exceeds IEEE 841 standard)
- Balanced to 0.08 inches per second vibration limits (Meets IEEE 841 standard)
- Four Bolt Conduit Cover with glued Neoprene Gasket
- Impregnation Resin and magnet wire are insulation class H
- Stainless Steel Nameplate - Laser etched with high contrast background
- Corrosion Proof Drains
- Inverter Duty per NEMA MG1, Part 31
- Certified Class I Div 2, Groups A, B, C & D, Class II, Div 2, Groups F & G
- Suitable for IEEE45 and USCG 259 – Marine Duty

\*Cast iron fan cover available as an option on 143-215T frames

Please refer to back cover for description of "NOTES"

For detailed specifications, data sheets, drawings and performance curves

Data subject to change without notice.



Can't find what you are looking for? Call 1-800-ASK-4WEG (275-4934)

A-29

W22

## TEFC - Cast Iron

Three-Phase  
General Purpose  
Motors

### Cooling System

#### Fan Cover

- Aerodynamic design
- Minimal noise levels
- Superb air flow distribution over frame
- Superior mechanical strength

#### Fan

- Reinforced fan hub structure
- Low noise design with exceptional air flow

#### Terminal Box

- Excellent connection quality
- Easy cable handling during installation
- Ample space available for accessory installation
- Easy to maintain
- Mounting F1/F2/F3
- Rotation on 90° stages

#### Bearing Caps

##### External

- Fined surface for superb bearing heat dissipation

##### Internal

- Positive pressure lubrication system
- High quality bearing lubrication
- Reduced bearing temperature

#### Seal Subsystem

- Excellent dust and moisture protection
- Excellent protection to high-pressure cleaning

#### Frame

- Low temperature on windings and bearings
- Low noise design
- Terminal box position outlet on top 447T and larger

#### Pad for vibration sensor

- Displaced 90° from each other

#### Enhanced Lifting Provisions

- Easy handling - horizontal & vertical
- Superior mechanical strength and handling safety

#### Solid feet

- Impact resistance
- Ideal for high vibration level applications

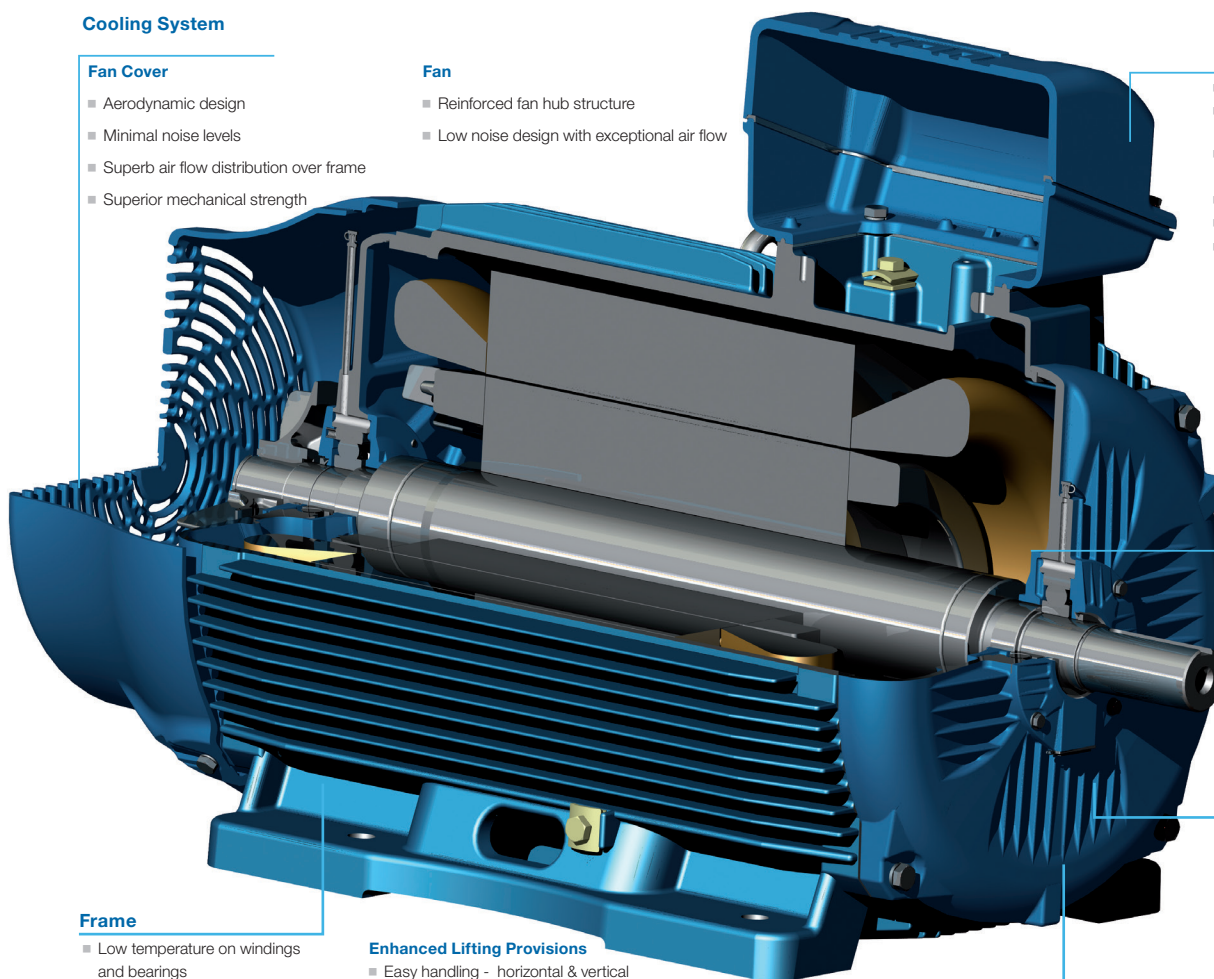
#### Endshields Subsystem

##### DE (Drive Endshield)

- Fin design increases air flow
- Bearing moved outwards for better load support
- Bearing heat dissipation for reduced bearing temperature
- Reinforced endshield structure

##### NDE (Non-Drive Endshield)

- Smooth exterior surface
- Optimal air flow
- Designed for low noise
- Structural rigidity for low vibration
- Insulated housing standard on L447/9T and above



Please refer to back cover for description of "NOTES"

For detailed specifications, data sheets, drawings and performance curves visit <http://www.weg.net>

# Three-Phase General Purpose Motors

## TEFC - ROLLED STEEL

### Standard Features:

- Rated Output: 0.25 to 25 HP
- Number of Poles: 2 to 6
- Class F insulation
- Frame Sizes: NEMA 56 to 254/6T
- Frequency: 60 Hz (dual rated 50 Hz 190-220/380-415V)
- F1 mount as standard
- Foot mount / C-face / Footless availability
- Enclosure: TEFC
- Aluminum endshields
- Certified Class I, Div 2, Groups A,B,C,D
- Cast Iron flanges for improved strength (182/4TC and larger)
- Internal bolts, giving a clean surface to the motor, avoiding trapping materials and allowing easy paint job after assembly to the load if required
- Double shielded ball bearings on frames 56 to 213/5T.
- Versions: General Purpose, Jet Pump, Close-coupled Pump type "JM" and "JP", and Crop Dryer

### Optional Features:

- IP56 ingress protection
- F2 and F3 mount
- Enclosure: TEAO and TENV
- Regreasable bearings optional on 182/4T and 213/5T
- Double sealed ball bearings and/or bearing cap
- Drip cover
- Internal AEGIS® SGR
- Space heaters and thermal protection (thermostats and thermistors)
- Refer to the mod section for more options



### Features that make a difference:

- New ventilation system for improved thermal performance
- Robust foot design suitable for tougher applications
- New and more robust eyebolts design (frames 182/4T and up) plus a second eyebolt on non-drive end allowing vertical lifting capability (frames 213/5T and 254/6T)
- Oversized diagonally split aluminum terminal box that exceeds IP55 requirements
- Terminal box rotatable in 90 degree increments for flexibility during installation
- Option for internal AEGIS® SGR
- Color coded leads as standard for easy wiring
- Regreasable ball bearings on 254/6T frame as standard (optional for 182/4T and 213/5T)
- IP55 Ingress Protection as standard, being appropriate for severe environments
- Bearing cap as standard on flanged motors, optional on non flanged
- Suitable for VFD operation as per NEMA MG1 part 31.4.4.2
- Motor frame painting system 500 hours salt spray resistant

Please refer to back cover for description of "NOTES"

For detailed specifications, data sheets, drawings and performance curves visit <http://www.weg.net>

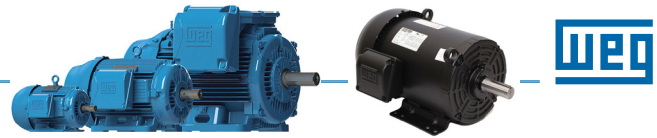
Data subject to change without notice.



Can't find what you are looking for? Call 1-800-ASK-4WEG (275-4934)

A-31

# Three-Phase General Purpose Motors



## TEFC - Foot Mount

Three-Phase  
General Purpose  
Motors

HP	kW	RPM	Frame	Catalog Number	List Price	Mult. Symbol	Approx. Shipping Weight (lbs)	Service Factor	FL Amps @ High	FL Eff (%)	"C" Dimension (in)	Voltage (V)	Notes
0.25	0.18	3600	56	.2536ES3E56-S	\$237	F1	21	1.15	0.50	57.5	11.142	208-230/460	9
		1800	56	.2518ES3E56-S	\$249	F1	23	1.15	0.50	70.0	11.142	208-230/460	9
0.33	0.25	3600	56	.3336ES3E56-S	\$249	F1	22	1.15	0.60	62.0	11.142	208-230/460	9
		1800	56	.3318ES3E56-S	\$253	F1	24	1.15	0.60	74.0	11.535	208-230/460	9
0.5	0.37	3600	56	.5036ES3E56-S	\$258	F1	24	1.15	0.80	68.0	11.535	208-230/460	9
		1800	56	.5018ES3E56-S	\$287	F1	26	1.15	0.90	77.0	11.535	208-230/460	9
		1800	56	.5018ES3H56-S	\$288	F1	26	1.15	0.70	77.0	11.535	575	9
		1200	56	.5012ES3E56-S	\$417	F1	31	1.15	1.00	72.0	12.323	208-230/460	9
0.75	0.55	3600	56	.7536ES3E56-S	\$287	F1	25	1.15	1.10	72.0	11.535	208-230/460	9
		3600	56	.7536ES3H56-S	\$288	F1	25	1.15	0.90	72.0	11.535	575	9
		1800	56	.7518ES3E56-S	\$311	F1	28	1.15	1.20	78.5	11.929	208-230/460	9
		1200	56H	.7512ES3E56-S	\$427	F1	34	1.15	1.30	75.5	12.716	208-230/460	9
1	0.75	3600	W56	00136ET3EW56-S	\$392	F1	25	1.15	1.50	78.5	11.106	230/460	9
		3600	W56	00136ET3HW56-S	\$392	F1	25	1.15	1.20	78.5	11.106	575	9
		3600	143/5T	00136ET3E143T-S	\$420	RSP	31	1.15	1.40	78.5	13.189	230/460	9
		3600	143/5T	00136ET3H143T-S	\$420	RSP	31	1.15	1.10	78.5	13.189	575	9
		3600	143/5T	00136ET3E143T-W22	\$538	N1	45	1.25	1.44	81.5	13.358	230/460	
		3600	143/5T	00136ET3H143T-W22	\$538	N1	44	1.25	1.15	81.5	13.358	575	
		1800	56	00118ET3E56-S	\$379	F1	41	1.15	1.50	85.5	13.504	230/460	9
		1800	56	00118ET3H56-S	\$379	F1	41	1.15	1.20	85.5	13.504	575	9
		1800	143/5T	00118ET3E143T-S	\$459	RSP	42	1.15	1.50	85.5	13.583	230/460	9
		1800	143/5T	00118ET3H143T-S	\$459	RSP	42	1.15	1.20	85.5	13.583	575	9
		1800	143/5T	00118ET3E143T-W22	\$527	N1	48	1.25	1.47	85.5	13.358	230/460	
		1800	143/5T	00118ET3H143T-W22	\$527	N1	48	1.25	1.18	85.5	13.358	575	
		1200	56H	00112ET3E56-S	\$497	F1	42	1.15	1.60	82.5	13.504	230/460	9
		1200	143/5T	00112ET3E145T-S	\$529	RSP	43	1.15	1.60	82.5	13.583	230/460	9
		1200	143/5T	00112ET3H145T-S	\$529	RSP	43	1.15	1.30	82.5	13.583	575	9
		1200	143/5T	00112ET3E145T-W22	\$608	N1	55	1.25	1.73	82.5	13.358	230/460	
		1200	143/5T	00112ET3H145T-W22	\$608	N1	55	1.25	1.38	82.5	13.358	575	
		900	182/4T	00109ET3E182T-W22	\$1,043	N1	88	1.25	2.30	78.5	15.860	230/460	
		900	182/4T	00109ET3H182T-W22	\$1,043	N1	104	1.25	1.84	78.5	15.860	575	

continued on next page

Please refer to back cover for description of "NOTES"

For detailed specifications, data sheets, drawings and performance curves visit <http://www.weg.net>





## TEFC - Foot Mount - *continued*

HP	kW	RPM	Frame	Catalog Number	List Price	Mult. Symbol	Approx. Shipping Weight (lbs)	Service Factor	FL Amps @ High	FL Eff (%)	"C" Dimension (in)	Voltage (V)	Notes
1.5	1.1	3600	56	<a href="#">00156ET3E56-S</a>	\$433	F1	37	1.15	1.90	84.0	13.109	230/460	9
		3600	143/5T	<a href="#">00156ET3E143T-S</a>	\$473	RSP	39	1.15	1.90	84.0	13.189	230/460	9
		3600	143/5T	<a href="#">00156ET3H143T-S</a>	\$473	RSP	39	1.15	1.50	84.0	13.189	575	9
		3600	143/5T	<a href="#">00156ET3E143T-W22</a>	\$543	N1	49	1.25	1.96	84.0	13.358	230/460	
		3600	143/5T	<a href="#">00156ET3H143T-W22</a>	\$543	N1	49	1.25	1.57	84.0	13.358	575	
		1800	56H	<a href="#">00158ET3E56-S</a>	\$435	F1	44	1.15	2.00	86.5	13.504	230/460	9
		1800	143/5T	<a href="#">00158ET3E145T-S</a>	\$480	RSP	43	1.15	2.00	86.5	13.583	230/460	9
		1800	143/5T	<a href="#">00158ET3H145T-S</a>	\$480	RSP	43	1.15	1.60	86.5	13.583	575	9
		1800	143/5T	<a href="#">00158ET3E145T-W22</a>	\$551	N1	53	1.25	2.02	86.5	13.358	230/460	
		1800	143/5T	<a href="#">00158ET3H145T-W22</a>	\$551	N1	53	1.25	1.62	86.5	13.358	575	
		1200	182/4T	<a href="#">00152ET3E182T-S</a>	\$656	RSP	76	1.15	2.20	87.5	16.339	230/460	9
		1200	182/4T	<a href="#">00152ET3H182T-S</a>	\$656	RSP	76	1.15	1.80	87.5	16.339	575	9
		1200	182/4T	<a href="#">00152ET3E182T-W22</a>	\$754	N1	97	1.25	2.54	87.5	15.860	230/460	
		1200	182/4T	<a href="#">00152ET3H182T-W22</a>	\$754	N1	97	1.25	2.03	87.5	15.860	575	
		900	182/4T	<a href="#">00159ET3E184T-W22</a>	\$1,207	N1	102	1.25	2.70	82.5	15.860	230/460	
		900	182/4T	<a href="#">00159ET3H184T-W22</a>	\$1,207	N1	102	1.25	2.16	82.5	15.860	575	
2	1.5	3600	56H	<a href="#">00236ET3E56-S</a>	\$489	F1	44	1.15	2.50	85.5	13.898	230/460	9
		3600	143/5T	<a href="#">00236ET3E145T-S</a>	\$514	RSP	45	1.15	2.50	85.5	13.976	230/460	9
		3600	143/5T	<a href="#">00236ET3H145T-S</a>	\$514	RSP	45	1.15	2.00	85.5	13.976	575	9
		3600	143/5T	<a href="#">00236ET3E145T-W22</a>	\$591	N1	54	1.25	2.56	85.5	13.358	230/460	
		3600	143/5T	<a href="#">00236ET3H145T-W22</a>	\$591	N1	54	1.25	2.05	85.5	13.358	575	
		1800	56H	<a href="#">00218ET3E56-S</a>	\$478	F1	46	1.15	2.70	86.5	13.898	230/460	9
		1800	143/5T	<a href="#">00218ET3E145T-S</a>	\$533	RSP	47	1.15	2.70	86.5	13.976	230/460	9
		1800	143/5T	<a href="#">00218ET3H145T-S</a>	\$533	RSP	47	1.15	2.20	86.5	13.976	575	9
		1800	143/5T	<a href="#">00218ET3E145T-W22</a>	\$612	N1	51	1.25	2.76	86.5	13.358	230/460	
		1800	143/5T	<a href="#">00218ET3H145T-W22</a>	\$612	N1	54	1.25	2.21	86.5	13.358	575	
		1200	182/4T	<a href="#">00212ET3E184T-S</a>	\$713	RSP	86	1.15	3.00	88.5	17.126	230/460	9
		1200	182/4T	<a href="#">00212ET3H184T-S</a>	\$713	RSP	86	1.15	2.40	88.5	17.126	575	9
		1200	182/4T	<a href="#">00212ET3E184T-W22</a>	\$819	N1	108	1.25	3.22	88.5	15.860	230/460	39
		1200	182/4T	<a href="#">00212ET3H184T-W22</a>	\$819	N1	103	1.25	2.58	88.5	15.860	575	39
		900	213/5T	<a href="#">00209ET3E213T-W22</a>	\$1,848	N1	171	1.25	3.39	85.5	19.517	230/460	
		900	213/5T	<a href="#">00209ET3H213T-W22</a>	\$1,848	N1	171	1.25	2.71	85.5	19.517	575	

*continued on next page*

Please refer to back cover for description of "NOTES"

For detailed specifications, data sheets, drawings and performance curves visit <http://www.weg.net>

Data subject to change without notice.

Can't find what you are looking for? Call 1-800-ASK-4WEG (275-4934)

## TEFC - Foot Mount - *continued*

 Three-Phase  
General Purpose  
Motors

HP	kW	RPM	Frame	Catalog Number	List Price	Mult. Symbol	Approx. Shipping Weight (lbs)	Service Factor	FL Amps @ High	FL Eff (%)	"C" Dimension (in)	Voltage (V)	Notes
3	2.2	3600	56H	<a href="#">00336ET3E56-S</a>	<b>\$578</b>	F1	54	1.15	3.50	86.5	15.079	230/460	9
		3600	182/4T	<a href="#">00336ET3E182T-S</a>	<b>\$665</b>	RSP	73	1.15	3.70	86.5	16.339	230/460	9
		3600	182/4T	<a href="#">00336ET3H182T-S</a>	<b>\$665</b>	RSP	73	1.15	3.00	86.5	16.339	575	9
		3600	182/4T	<a href="#">00336ET3E182T-W22</a>	<b>\$763</b>	N1	99	1.25	3.63	86.5	15.860	230/460	
		3600	182/4T	<a href="#">00336ET3H182T-W22</a>	<b>\$763</b>	N1	99	1.25	2.90	86.5	15.860	575	
		1800	182/4T	<a href="#">00318ET3E182T-S</a>	<b>\$577</b>	RSP	100	1.15	3.80	89.5	17.913	230/460	9
		1800	182/4T	<a href="#">00318ET3H182T-S</a>	<b>\$577</b>	RSP	100	1.15	3.00	89.5	17.913	575	9
		1800	182/4T	<a href="#">00318ET3E182T-W22</a>	<b>\$663</b>	N1	92	1.25	3.91	89.5	15.860	230/460	
		1800	182/4T	<a href="#">00318ET3H182T-W22</a>	<b>\$663</b>	N1	94	1.25	3.13	89.5	15.860	575	
		1200	213/5T	<a href="#">00312ET3E213T-S</a>	<b>\$983</b>	RSP	134	1.15	4.20	89.5	19.291	230/460	9
		1200	213/5T	<a href="#">00312ET3H213T-S</a>	<b>\$983</b>	RSP	133	1.15	3.40	89.5	19.291	575	9
		1200	213/5T	<a href="#">00312ET3E213T-W22</a>	<b>\$1,129</b>	N1	160	1.25	4.41	89.5	19.517	230/460	
		1200	213/5T	<a href="#">00312ET3H213T-W22</a>	<b>\$1,129</b>	N1	163	1.25	3.53	89.5	19.517	575	
		900	213/5T	<a href="#">00309ET3E215T-W22</a>	<b>\$2,115</b>	N1	189	1.25	4.55	85.5	19.517	230/460	
900	213/5T	<a href="#">00309ET3H215T-W22</a>	<b>\$2,115</b>	N1	188	1.25	3.64	85.5	19.517	575			
5	3.7	3600	182/4T	<a href="#">00536ET3E184T-SRT</a>	<b>\$810</b>	RSP	85	1.15	5.90	88.5	16.339	230/460	9;51
		3600	182/4T	<a href="#">00536ET3E184T-S</a>	<b>\$760</b>	RSP	85	1.15	5.90	88.5	17.913	230/460	9
		3600	182/4T	<a href="#">00536ET3H184T-S</a>	<b>\$760</b>	RSP	85	1.15	4.70	88.5	17.913	575	9
		3600	182/4T	<a href="#">00536ET3E184T-W22</a>	<b>\$873</b>	N1	103	1.25	5.90	88.5	15.860	230/460	
		3600	182/4T	<a href="#">00536ET3H184T-W22</a>	<b>\$873</b>	N1	106	1.25	4.72	88.5	15.860	575	
		1800	182/4T	<a href="#">00518ET3E184T-SRT</a>	<b>\$840</b>	RSP	93	1.15	6.49	89.5	16.732	230/460	9
		1800	182/4T	<a href="#">00518ET3H184T-SRT</a>	<b>\$840</b>	RSP	93	1.15	5.19	89.5	16.732	575	9
		1800	182/4T	<a href="#">00518ET3E184T-S</a>	<b>\$672</b>	RSP	93	1.15	6.50	89.5	17.913	230/460	9
		1800	182/4T	<a href="#">00518ET3H184T-S</a>	<b>\$672</b>	RSP	93	1.15	5.20	89.5	17.913	575	9
		1800	182/4T	<a href="#">00518ET3P184T-S</a>	<b>\$672</b>	RSP	93	1.15	15.0	89.5	17.913	200	9
		1800	182/4T	<a href="#">00518ET3E184T-W22</a>	<b>\$772</b>	N1	101	1.25	6.45	89.5	15.860	230/460	
		1800	182/4T	<a href="#">00518ET3H184T-W22</a>	<b>\$772</b>	N1	104	1.25	5.16	89.5	15.860	575	
		1800	182/4T	<a href="#">00518ET3P184T-W22</a>	<b>\$772</b>	N1	103	1.25	14.8	89.5	15.860	200	
		1200	213/5T	<a href="#">00512ET3E215T-S</a>	<b>\$1,160</b>	RSP	153	1.15	6.70	89.5	20.079	230/460	9
		1200	213/5T	<a href="#">00512ET3H215T-S</a>	<b>\$1,160</b>	RSP	152	1.15	5.40	89.5	20.079	575	9
		1200	213/5T	<a href="#">00512ET3E215T-W22</a>	<b>\$1,332</b>	N1	170	1.25	6.83	89.5	19.517	230/460	
		1200	213/5T	<a href="#">00512ET3H215T-W22</a>	<b>\$1,332</b>	N1	180	1.25	5.46	89.5	19.517	575	
		900	254/6T	<a href="#">00509ET3E254T-W22</a>	<b>\$3,301</b>	N1	302	1.25	7.58	87.5	24.945	230/460	
900	254/6T	<a href="#">00509ET3H254T-W22</a>	<b>\$3,301</b>	N1	321	1.25	6.06	87.5	24.945	575			

*continued on next page*

Please refer to back cover for description of "NOTES"

For detailed specifications, data sheets, drawings and performance curves visit <http://www.weg.net>



## TEFC - Foot Mount - continued

HP	kW	RPM	Frame	Catalog Number	List Price	Mult. Symbol	Approx. Shipping Weight (lbs)	Service Factor	FL Amps @ High	FL. Eff (%)	"C" Dimension (in)	Voltage (V)	Notes
7.5	5.5	3600	182/4T	<a href="#">00736ET3E184T-W22</a>	\$1,074	N1	106	1.25	8.76	89.5	15.860	230/460	12
		3600	213/5T	<a href="#">00736ET3E213T-SRT</a>	\$1,078	RSP	126	1.15	8.67	89.5	18.897	230/460	9
		3600	213/5T	<a href="#">00736ET3E213T-S</a>	\$980	RSP	143	1.15	8.70	89.5	20.079	230/460	9
		3600	213/5T	<a href="#">00736ET3H213T-S</a>	\$980	RSP	143	1.15	7.00	89.5	20.079	575	9
		3600	213/5T	<a href="#">00736ET3E213T-W22</a>	\$1,125	N1	149	1.25	8.76	89.5	19.517	230/460	
		3600	213/5T	<a href="#">00736ET3H213T-W22</a>	\$1,125	N1	163	1.25	7.01	89.5	19.517	575	
		1800	213/5T	<a href="#">00718ET3E213T-S</a>	\$948	RSP	140	1.15	9.10	91.7	18.898	230/460	9
		1800	213/5T	<a href="#">00718ET3H213T-S</a>	\$948	RSP	140	1.15	7.30	91.7	18.898	575	9
		1800	213/5T	<a href="#">00718ET3P213T-S</a>	\$948	RSP	140	1.15	20.9	91.7	18.898	200	9;51
		1800	213/5T	<a href="#">00718ET3E213T-W22</a>	\$1,089	N1	170	1.25	9.18	91.7	19.517	230/460	
		1800	213/5T	<a href="#">00718ET3H213T-W22</a>	\$1,089	N1	174	1.25	7.34	91.7	19.517	575	
		1800	213/5T	<a href="#">00718ET3P213T-W22</a>	\$1,089	N1	175	1.25	21.1	91.7	19.517	200	
		1200	254/6T	<a href="#">00712ET3E254T-S</a>	\$1,799	RSP	231	1.15	10.0	91.0	22.559	230/460	9
		1200	254/6T	<a href="#">00712ET3H254T-S</a>	\$1,799	RSP	229	1.15	8.00	91.0	22.559	575	9
		1200	254/6T	<a href="#">00712ET3E254T-W22</a>	\$2,065	N1	300	1.25	9.48	91.0	24.945	230/460	
		1200	254/6T	<a href="#">00712ET3H254T-W22</a>	\$2,065	N1	316	1.25	7.58	91.0	24.945	575	39
		900	254/6T	<a href="#">00709ET3E256T-W22</a>	\$3,658	N1	317	1.25	11.1	87.5	24.945	230/460	
		900	254/6T	<a href="#">00709ET3H256T-W22</a>	\$3,658	N1	373	1.25	8.88	87.5	24.945	575	
10	7.5	3600	213/5T	<a href="#">01036ET3E215T-SRT</a>	\$1,276	RSP	178	1.15	11.5	90.2	19.291	230/460	9
		3600	213/5T	<a href="#">01036ET3E215T-S</a>	\$1,160	RSP	178	1.15	11.5	90.2	21.654	230/460	9
		3600	213/5T	<a href="#">01036ET3H215T-S</a>	\$1,160	RSP	178	1.15	9.20	90.2	21.654	575	9
		3600	213/5T	<a href="#">01036ET3E215T-W22</a>	\$1,332	N1	172	1.25	11.6	90.2	19.517	230/460	
		3600	213/5T	<a href="#">01036ET3H215T-W22</a>	\$1,332	N1	180	1.25	9.28	90.2	19.517	575	
		1800	213/5T	<a href="#">01018ET3E215T-S</a>	\$1,110	RSP	151	1.15	12.2	91.7	19.291	230/460	9
		1800	213/5T	<a href="#">01018ET3H215T-S</a>	\$1,110	RSP	151	1.15	9.80	91.7	19.291	575	9
		1800	213/5T	<a href="#">01018ET3E215T-W22</a>	\$1,273	N1	175	1.25	12.4	91.7	19.517	230/460	
		1800	213/5T	<a href="#">01018ET3H215T-W22</a>	\$1,273	N1	188	1.25	9.92	91.7	19.517	575	
		1800	213/5T	<a href="#">01018ET3P215T-W22</a>	\$1,273	N1	189	1.25	28.5	91.7	19.517	200	
		1200	254/6T	<a href="#">01012ET3E256T-S</a>	\$2,088	RSP	261	1.15	13.8	91.0	23.346	230/460	9
		1200	254/6T	<a href="#">01012ET3H256T-S</a>	\$2,088	RSP	259	1.15	11.0	91.0	23.346	575	9
		1200	254/6T	<a href="#">01012ET3E256T-W22</a>	\$2,396	N1	318	1.25	12.9	91.0	24.945	230/460	
		1200	254/6T	<a href="#">01012ET3H256T-W22</a>	\$2,396	N1	325	1.25	10.3	91.0	24.945	575	
		900	284/6T	<a href="#">01009ET3E284T-W22</a>	\$4,634	N1	373	1.25	13.4	90.2	27.929	230/460	
900	284/6T	<a href="#">01009ET3H284T-W22</a>	\$4,634	N1	371	1.25	10.7	90.2	27.929	575			

continued on next page

Please refer to back cover for description of "NOTES"

For detailed specifications, data sheets, drawings and performance curves visit <http://www.weg.net>

Data subject to change without notice.

Can't find what you are looking for? Call 1-800-ASK-4WEG (275-4934)

## TEFC - Foot Mount - *continued*

 Three-Phase  
General Purpose  
Motors

HP	kW	RPM	Frame	Catalog Number	List Price	Mult. Symbol	Approx. Shipping Weight (lbs)	Service Factor	FL Amps @ High	FL Eff (%)	"C" Dimension (in)	Voltage (V)	Notes		
15	11	3600	213/5T	<a href="#">01536ET3E215T-W22</a>	<b>\$1,697</b>	N1	192	1.25	17.0	91.0	19.517	230/460	12		
		3600	254/6T	<a href="#">01536ET3E254T-S</a>	<b>\$1,589</b>	RSP	216	1.15	17.4	91.0	22.559	230/460	9		
		3600	254/6T	<a href="#">01536ET3H254T-S</a>	<b>\$1,589</b>	RSP	216	1.15	13.9	91.0	22.559	575	9		
		3600	254/6T	<a href="#">01536ET3E254T-W22</a>	<b>\$1,824</b>	N1	293	1.25	17.2	91.0	24.945	230/460			
		3600	254/6T	<a href="#">01536ET3H254T-W22</a>	<b>\$1,824</b>	N1	298	1.25	13.8	91.0	24.945	575			
		1800	254/6T	<a href="#">01518ET3E254T-S</a>	<b>\$1,610</b>	RSP	248	1.15	18.2	92.4	22.559	230/460	9		
		1800	254/6T	<a href="#">01518ET3H254T-S</a>	<b>\$1,610</b>	RSP	248	1.15	14.6	92.4	22.559	575	9		
		1800	254/6T	<a href="#">01518ET3P254T-S</a>	<b>\$1,610</b>	RSP	248	1.15	41.9	92.4	22.559	200	9		
		1800	254/6T	<a href="#">01518ET3E254T-W22</a>	<b>\$1,848</b>	N1	339	1.25	18.0	92.4	24.945	230/460			
		1800	254/6T	<a href="#">01518ET3H254T-W22</a>	<b>\$1,848</b>	N1	347	1.25	14.4	92.4	24.945	575			
		1800	254/6T	<a href="#">01518ET3P254T-W22</a>	<b>\$1,848</b>	N1	349	1.25	41.4	92.4	24.945	200			
		1200	284/6TS	<a href="#">01512ET3E284TS-W22</a>	<b>\$3,291</b>	N1	420	1.25	17.9	91.7	26.557	230/460			
		1200	284/6TS	<a href="#">01512ET3H284TS-W22</a>	<b>\$3,291</b>	N1	360	1.25	14.3	91.7	26.557	575			
		1200	284/6T	<a href="#">01512ET3E284T-W22</a>	<b>\$3,291</b>	N1	406	1.25	17.9	91.7	27.929	230/460			
		1200	284/6T	<a href="#">01512ET3H284T-W22</a>	<b>\$3,291</b>	N1	420	1.25	14.3	91.7	27.929	575			
		20	15	3600	254/6T	<a href="#">02036ET3E256T-S</a>	<b>\$2,076</b>	RSP	256	1.15	22.7	91.0	23.346	230/460	9
3600	254/6T			<a href="#">02036ET3H256T-S</a>	<b>\$2,076</b>	RSP	256	1.15	18.2	91.0	23.346	575	9		
3600	254/6T			<a href="#">02036ET3E256T-W22</a>	<b>\$2,382</b>	N1	317	1.25	23.2	91.0	24.945	230/460			
3600	254/6T			<a href="#">02036ET3H256T-W22</a>	<b>\$2,382</b>	N1	323	1.25	18.6	91.0	24.945	575			
1800	254/6T			<a href="#">02018ET3E256T-S</a>	<b>\$1,918</b>	RSP	279	1.15	24.7	92.4	23.346	230/460	9		
1800	254/6T			<a href="#">02018ET3H256T-S</a>	<b>\$1,918</b>	RSP	279	1.15	19.8	93.0	23.346	575	9		
1800	254/6T			<a href="#">02018ET3E256T-W22</a>	<b>\$2,201</b>	N1	386	1.25	24.1	93.0	24.945	230/460			
1800	254/6T			<a href="#">02018ET3H256T-W22</a>	<b>\$2,201</b>	N1	396	1.25	19.3	93.0	24.945	575			
1800	254/6T			<a href="#">02018ET3P256T-W22</a>	<b>\$2,201</b>	N1	397	1.25	55.4	93.0	24.945	200			
1200	284/6T			<a href="#">02012ET3E286T-W22</a>	<b>\$3,962</b>	N1	432	1.25	24.2	91.7	27.929	230/460			
1200	284/6T			<a href="#">02012ET3H286T-W22</a>	<b>\$3,962</b>	N1	447	1.25	19.4	91.7	27.929	575			
900	284/6T			<a href="#">02009ET3E286T-W22</a>	<b>\$5,854</b>	N1	556	1.00	28.2	90.2	27.929	230/460	1,12,37		
900	324/6T			<a href="#">02009ET3E324T-W22</a>	<b>\$6,339</b>	N1	548	1.25	28.3	91.0	31.116	230/460			
900	324/6T			<a href="#">02009ET3H324T-W22</a>	<b>\$6,339</b>	N1	546	1.25	22.6	91.0	31.116	575			
25	18.5			3600	254/6T	<a href="#">02536ET3E256T-S</a>	<b>\$2,487</b>	RSP	252	1.15	28.5	91.7	23.346	230/460	9
				3600	284/6TS	<a href="#">02536ET3E284TS-W22</a>	<b>\$2,998</b>	N1	391	1.25	28.5	91.7	26.557	230/460	
		3600	284/6TS	<a href="#">02536ET3H284TS-W22</a>	<b>\$2,998</b>	N1	405	1.25	22.8	91.7	26.557	575			
		1800	284/6TS	<a href="#">02518ET3E284TS-W22</a>	<b>\$2,743</b>	N1	438	1.25	29.5	93.6	26.557	230/460			
		1800	284/6T	<a href="#">02518ET3E284T-W22</a>	<b>\$2,743</b>	N1	408	1.25	29.5	93.6	27.929	230/460			
		1800	284/6T	<a href="#">02518ET3H284T-W22</a>	<b>\$2,743</b>	N1	439	1.25	23.6	93.6	27.929	575			
		1200	324/6T	<a href="#">02512ET3E324T-W22</a>	<b>\$4,737</b>	N1	569	1.25	30.4	93.0	31.116	230/460			
		1200	324/6T	<a href="#">02512ET3H324T-W22</a>	<b>\$4,737</b>	N1	583	1.25	24.3	93.0	31.116	575			
		900	324/6T	<a href="#">02509ET3E326T-W22</a>	<b>\$7,315</b>	N1	593	1.25	35.9	91.0	31.116	230/460			
900	324/6T	<a href="#">02509ET3H326T-W22</a>	<b>\$7,315</b>	N1	593	1.25	28.7	91.0	31.116	575					

*continued on next page*

Please refer to back cover for description of "NOTES"

For detailed specifications, data sheets, drawings and performance curves visit <http://www.weg.net>



## TEFC - Foot Mount - *continued*

HP	kW	RPM	Frame	Catalog Number	List Price	Mult. Symbol	Approx. Shipping Weight (lbs)	Service Factor	FL Amps @ High	FL Eff (%)	"C" Dimension (in)	Voltage (V)	Notes
30	22	3600	284/6TS	<a href="#">03036ET3E286TS-W22</a>	\$3,561	N1	408	1.25	33.8	91.7	26.557	230/460	
		3600	284/6TS	<a href="#">03036ET3H286TS-W22</a>	\$3,561	N1	425	1.25	27.0	91.7	26.557	575	
		1800	284/6TS	<a href="#">03018ET3E286TS-W22</a>	\$3,223	N1	476	1.25	35.1	93.6	26.557	230/460	
		1800	284/6T	<a href="#">03018ET3E286T-W22</a>	\$3,223	N1	461	1.25	35.1	93.6	27.929	230/460	
		1800	284/6T	<a href="#">03018ET3H286T-W22</a>	\$3,223	N1	476	1.25	28.1	93.6	27.929	575	
		1200	324/6T	<a href="#">03012ET3E326T-W22</a>	\$5,273	N1	530	1.25	36.2	93.0	31.116	230/460	
		1200	324/6T	<a href="#">03012ET3H326T-W22</a>	\$5,273	N1	627	1.25	29.0	93.0	31.116	575	
		900	364/5T	<a href="#">03009ET3E364T-W22</a>	\$11,215	N1	899	1.25	37.0	92.4	34.251	230/460	
40	30	3600	324/6TS	<a href="#">04036ET3E324TS-W22</a>	\$4,725	N1	546	1.25	45.8	92.4	29.616	230/460	
		3600	324/6TS	<a href="#">04036ET3H324TS-W22</a>	\$4,725	N1	589	1.25	36.6	92.4	29.616	575	
		1800	324/6TS	<a href="#">04018ET3E324TS-W22</a>	\$4,178	N1	613	1.25	47.1	94.1	31.116	230/460	
		1800	324/6T	<a href="#">04018ET3E324T-W22</a>	\$4,178	N1	591	1.25	47.1	94.1	31.116	230/460	
		1800	324/6T	<a href="#">04018ET3H324T-W22</a>	\$4,178	N1	614	1.25	37.7	94.1	31.116	575	
		1800	324/6T	<a href="#">04018ET3P324T-W22</a>	\$4,178	N1	625	1.25	108	94.1	31.116	200	
		1200	364/5T	<a href="#">04012ET3E364T-W22</a>	\$7,284	N1	964	1.25	46.5	94.1	34.251	230/460	
		1200	364/5T	<a href="#">04012ET3H364T-W22</a>	\$7,284	N1	904	1.25	37.2	94.1	34.251	575	
900	364/5T	<a href="#">04009ET3E365T-W22</a>	\$12,194	N1	954	1.25	50.3	92.4	34.251	230/460			
50	37	3600	324/6TS	<a href="#">05036ET3E326TS-W22</a>	\$5,316	N1	587	1.25	56.1	93.0	29.616	230/460	
		3600	324/6TS	<a href="#">05036ET3H326TS-W22</a>	\$5,316	N1	610	1.25	44.9	93.0	29.616	575	
		1800	324/6TS	<a href="#">05018ET3E326TS-W22</a>	\$5,100	N1	637	1.25	59.2	94.5	31.116	230/460	
		1800	324/6T	<a href="#">05018ET3E326T-W22</a>	\$5,100	N1	585	1.25	59.2	94.5	31.116	230/460	
		1800	324/6T	<a href="#">05018ET3H326T-W22</a>	\$5,100	N1	634	1.25	47.4	94.5	31.116	575	
		1200	364/5T	<a href="#">05012ET3E365T-W22</a>	\$8,518	N1	914	1.25	57.4	94.1	34.251	230/460	
		1200	364/5T	<a href="#">05012ET3H365T-W22</a>	\$8,518	N1	1026	1.25	45.9	94.1	34.251	575	
		900	404/5T	<a href="#">05009ET3E404T-W22</a>	\$17,648	N1	1214	1.25	60.0	93.0	39.730	230/460	
60	45	3600	364/5TS	<a href="#">06036ET3E364TS-W22</a>	\$7,552	N1	855	1.25	67.0	93.6	32.338	230/460	
		3600	364/5TS	<a href="#">06036ET3G364TS-W22</a>	\$7,552	N1	961	1.25	67.0	93.6	32.338	460	
		3600	364/5TS	<a href="#">06036ET3H364TS-W22</a>	\$7,552	N1	968	1.25	53.6	93.6	32.338	575	
		1800	364/5TS	<a href="#">06018ET3E364TS-W22</a>	\$7,389	N1	1026	1.25	68.3	95.0	32.338	230/460	
		1800	364/5T	<a href="#">06018ET3E364T-W22</a>	\$7,389	N1	946	1.25	68.3	95.0	34.251	230/460	
		1800	364/5T	<a href="#">06018ET3G364T-W22</a>	\$7,389	N1	1025	1.25	68.3	95.0	34.251	460	
		1800	364/5T	<a href="#">06018ET3H364T-W22</a>	\$7,389	N1	1033	1.25	54.6	95.0	34.251	575	
		1200	404/5T	<a href="#">06012ET3E404T-W22</a>	\$10,497	N1	1252	1.25	69.5	94.5	39.730	230/460	
		1200	404/5T	<a href="#">06012ET3ERB404T-W22</a>	\$10,497	N1	1262	1.25	69.5	94.5	39.730	230/460	14
		1200	404/5T	<a href="#">06012ET3G404T-W22</a>	\$10,497	N1	1213	1.25	69.5	94.5	39.730	460	
		1200	404/5T	<a href="#">06012ET3H404T-W22</a>	\$10,497	N1	1255	1.25	55.6	94.5	39.730	575	
900	404/5T	<a href="#">06009ET3E405T-W22</a>	\$20,443	N1	1263	1.25	73.0	93.0	39.730	230/460			

*continued on next page*

Please refer to back cover for description of "NOTES"

For detailed specifications, data sheets, drawings and performance curves visit <http://www.weg.net>

Data subject to change without notice.

Can't find what you are looking for? Call 1-800-ASK-4WEG (275-4934)

## TEFC - Foot Mount - *continued*

 Three-Phase  
General Purpose  
Motors

HP	kW	RPM	Frame	Catalog Number	List Price	Mult. Symbol	Approx. Shipping Weight (lbs)	Service Factor	FL Amps @ High	FL. Eff (%)	"C" Dimension (in)	Voltage (V)	Notes
75	55	3600	364/5TS	<a href="#">07536ET3E365TS-W22</a>	<b>\$9,091</b>	N1	900	1.25	81.9	93.6	32.338	230/460	
		3600	364/5TS	<a href="#">07536ET3G365TS-W22</a>	<b>\$9,091</b>	N1	963	1.25	81.9	93.6	32.338	460	
		3600	364/5TS	<a href="#">07536ET3H365TS-W22</a>	<b>\$9,091</b>	N1	967	1.25	65.5	93.6	32.338	575	
		1800	364/5TS	<a href="#">07518ET3E365TS-W22</a>	<b>\$8,705</b>	N1	988	1.25	84.1	95.4	32.338	230/460	
		1800	364/5T	<a href="#">07518ET3E365T-W22</a>	<b>\$8,705</b>	N1	969	1.25	84.1	95.4	34.251	230/460	
		1800	364/5T	<a href="#">07518ET3G365T-W22</a>	<b>\$8,705</b>	N1	1045	1.25	84.1	95.4	34.251	460	
		1800	364/5T	<a href="#">07518ET3H365T-W22</a>	<b>\$8,705</b>	N1	1050	1.25	67.3	95.4	34.251	575	
		1200	404/5T	<a href="#">07512ET3E405T-W22</a>	<b>\$12,058</b>	N1	1303	1.25	84.9	94.5	39.730	230/460	
		1200	404/5T	<a href="#">07512ET3ERB405T-W22</a>	<b>\$12,058</b>	N1	1262	1.25	84.9	94.5	39.730	230/460	14
		1200	404/5T	<a href="#">07512ET3G405T-W22</a>	<b>\$12,058</b>	N1	1298	1.25	84.9	94.5	39.730	460	
		1200	404/5T	<a href="#">07512ET3GRB405T-W22</a>	<b>\$12,058</b>	N1	1309	1.25	84.9	94.5	39.730	460	14
		1200	404/5T	<a href="#">07512ET3H405T-W22</a>	<b>\$12,058</b>	N1	1303	1.25	67.9	94.5	39.730	575	
				900	444/5T	<a href="#">07509ET3E444T-W22</a>	<b>\$23,334</b>	N1	1665	1.25	93.0	93.6	45.157
100	75	3600	404/5TS	<a href="#">10036ET3E405TS-W22</a>	<b>\$12,002</b>	N1	1024	1.25	110	94.1	36.732	230/460	
		3600	404/5TS	<a href="#">10036ET3G405TS-W22</a>	<b>\$12,002</b>	N1	1176	1.25	110	94.1	36.732	460	
		3600	404/5TS	<a href="#">10036ET3H405TS-W22</a>	<b>\$12,002</b>	N1	1182	1.25	88.0	94.1	36.732	575	
		1800	404/5TS	<a href="#">10018ET3E405TS-W22</a>	<b>\$11,689</b>	N1	1266	1.25	111	95.4	36.732	230/460	
		1800	404/5T	<a href="#">10018ET3E405T-W22</a>	<b>\$11,689</b>	N1	1190	1.25	111	95.4	39.730	230/460	
		1800	404/5T	<a href="#">10018ET3ERB405T-W22</a>	<b>\$11,689</b>	N1	1239	1.25	111	95.4	39.730	230/460	14
		1800	404/5T	<a href="#">10018ET3G405T-W22</a>	<b>\$11,689</b>	N1	1280	1.25	111	95.4	39.730	460	
		1800	404/5T	<a href="#">10018ET3GRB405T-W22</a>	<b>\$11,689</b>	N1	1199	1.25	111	95.4	39.730	460	14
		1800	404/5T	<a href="#">10018ET3H405T-W22</a>	<b>\$11,689</b>	N1	1283	1.25	88.8	95.4	39.730	575	
		1800	404/5T	<a href="#">10018ET3HRB405T-W22</a>	<b>\$11,689</b>	N1	1294	1.25	88.8	95.4	39.730	575	14
		1200	444/5T	<a href="#">10012ET3E444T-W22</a>	<b>\$15,631</b>	N1	1786	1.25	121	95.0	45.157	230/460	
		1200	444/5T	<a href="#">10012ET3ERB444T-W22</a>	<b>\$15,631</b>	N1	1859	1.25	121	95.0	45.157	230/460	14
		1200	444/5T	<a href="#">10012ET3G444T-W22</a>	<b>\$15,631</b>	N1	1840	1.25	121	95.0	45.157	460	
		1200	444/5T	<a href="#">10012ET3GRB444T-W22</a>	<b>\$15,631</b>	N1	1854	1.25	121	95.0	45.157	460	14
		1200	444/5T	<a href="#">10012ET3H444T-W22</a>	<b>\$15,631</b>	N1	1837	1.25	96.8	95.0	45.157	575	
		900	444/5T	<a href="#">10009ET3E445T-W22</a>	<b>\$26,988</b>	N1	1900	1.25	127	94.1	45.157	230/460	
		900	444/5T	<a href="#">10009ET3G445T-W22</a>	<b>\$26,988</b>	N1	1939	1.25	127	94.1	45.157	460	

*continued on next page*

Please refer to back cover for description of "NOTES"

For detailed specifications, data sheets, drawings and performance curves visit <http://www.weg.net>



## TEFC - Foot Mount - *continued*

HP	kW	RPM	Frame	Catalog Number	List Price	Mult. Symbol	Approx. Shipping Weight (lbs)	Service Factor	FL Amps @ High	FL. Eff (%)	"C" Dimension (in)	Voltage (V)	Notes
125	90	3600	444/5TS	<a href="#">12536ET3E444TS-W22</a>	\$15,350	N1	1802	1.15	134	95.0	41.407	230/460	
		3600	444/5TS	<a href="#">12536ET3G444TS-W22</a>	\$15,350	N1	1798	1.15	134	95.0	41.407	460	
		3600	444/5TS	<a href="#">12536ET3H444TS-W22</a>	\$15,350	N1	1795	1.15	107	95.0	41.407	575	
		1800	444/5TS	<a href="#">12518ET3E444TS-W22</a>	\$14,748	N1	1627	1.15	139	95.4	41.407	230/460	
		1800	444/5T	<a href="#">12518ET3E444T-W22</a>	\$14,748	N1	1699	1.15	139	95.4	45.157	230/460	
		1800	444/5T	<a href="#">12518ET3ERB444T-W22</a>	\$14,748	N1	1730	1.15	139	95.4	45.157	230/460	14
		1800	444/5T	<a href="#">12518ET3G444T-W22</a>	\$14,748	N1	1710	1.15	139	95.4	45.157	460	
		1800	444/5T	<a href="#">12518ET3GRB444T-W22</a>	\$14,748	N1	1736	1.15	139	95.4	45.157	460	14
		1800	444/5T	<a href="#">12518ET3H444T-W22</a>	\$14,748	N1	1815	1.15	111	95.4	45.157	575	
		1200	444/5T	<a href="#">12512ET3E445T-W22</a>	\$17,947	N1	1980	1.15	143	95.0	45.157	230/460	
		1200	444/5T	<a href="#">12512ET3ERB445T-W22</a>	\$17,947	N1	1993	1.15	143	95.0	45.157	230/460	14
		1200	444/5T	<a href="#">12512ET3G445T-W22</a>	\$17,947	N1	1893	1.15	143	95.0	45.157	460	
		1200	444/5T	<a href="#">12512ET3GRB445T-W22</a>	\$17,947	N1	1996	1.15	143	95.0	45.157	460	14
		1200	444/5T	<a href="#">12512ET3H445T-W22</a>	\$17,947	N1	1974	1.15	114	95.0	45.157	575	
150	110	900	445/7T	<a href="#">12509ET3G447T-W22</a>	\$28,175	N1	2235	1.15	151	94.5	48.701	460	
		3600	444/5TS	<a href="#">15036ET3E445TS-W22</a>	\$18,882	N1	1899	1.15	161	95.0	41.407	230/460	
		3600	444/5TS	<a href="#">15036ET3G445TS-W22</a>	\$18,882	N1	1908	1.15	161	95.0	41.407	460	
		1800	444/5TS	<a href="#">15018ET3G445TS-W22</a>	\$17,420	N1	1869	1.15	170	95.8	41.407	460	
		1800	444/5T	<a href="#">15018ET3E445T-W22</a>	\$17,420	N1	1918	1.15	170	95.8	45.157	230/460	
		1800	444/5T	<a href="#">15018ET3G445T-W22</a>	\$17,420	N1	1905	1.15	170	95.8	45.157	460	
		1800	444/5T	<a href="#">15018ET3GRB445T-W22</a>	\$17,420	N1	1853	1.15	170	95.8	45.157	460	14
		1800	444/5T	<a href="#">15018ET3H445T-W22</a>	\$17,420	N1	1958	1.15	136	95.8	45.157	575	
		1800	444/5T	<a href="#">15018ET3HRB445T-W22</a>	\$17,420	N1	2034	1.15	136	95.8	45.157	575	14
		1200	445/7T	<a href="#">15012ET3E447T-W22</a>	\$20,639	N1	2354	1.15	176	95.8	48.701	230/460	
		1200	445/7T	<a href="#">15012ET3G447T-W22</a>	\$20,639	N1	2472	1.15	176	95.8	48.701	460	
		1200	445/7T	<a href="#">15012ET3GRB447T-W22</a>	\$20,639	N1	2371	1.15	176	95.8	48.701	460	14
		1200	445/7T	<a href="#">15012ET3H447T-W22</a>	\$20,639	N1	2467	1.15	141	95.8	48.701	575	
900	447/9T	<a href="#">15009ET3G449T-W22</a>	\$30,677	N1	3079	1.15	185	94.5	56.338	460			

*continued on next page*

Please refer to back cover for description of "NOTES"

For detailed specifications, data sheets, drawings and performance curves visit <http://www.weg.net>

Data subject to change without notice.

Can't find what you are looking for? Call 1-800-ASK-4WEG (275-4934)

## TEFC - Foot Mount - *continued*

 Three-Phase  
General Purpose  
Motors

HP	kW	RPM	Frame	Catalog Number	List Price	Mult. Symbol	Approx. Shipping Weight (lbs)	Service Factor	FL Amps @ High	FL Eff (%)	"C" Dimension (in)	Voltage (V)	Notes
200	150	3600	445/7TS	<a href="#">20036ET3E447TS-W22</a>	\$23,562	N1	2224	1.15	219	95.4	44.951	230/460	
		3600	445/7TS	<a href="#">20036ET3G447TS-W22</a>	\$23,562	N1	2046	1.15	219	95.4	44.951	460	
		3600	504/5S	<a href="#">20036ET3G504S-W22</a>	\$23,562	N1	2373	1.15	222	95.4	48.215	460	
		1800	445/7TS	<a href="#">20018ET3G447TS-W22</a>	\$21,098	N1	2138	1.15	230	96.2	44.951	460	
		1800	445/7T	<a href="#">20018ET3E447T-W22</a>	\$21,098	N1	2349	1.15	230	96.2	48.701	230/460	
		1800	445/7T	<a href="#">20018ET3G447T-W22</a>	\$21,098	N1	2224	1.15	230	96.2	48.701	460	
		1800	445/7T	<a href="#">20018ET3GRB447T-W22</a>	\$21,098	N1	2209	1.15	230	96.2	48.701	460	14
		1800	445/7T	<a href="#">20018ET3H447T-W22</a>	\$21,098	N1	2477	1.15	184	96.2	48.701	575	
		1800	445/7T	<a href="#">20018ET3HRB447T-W22</a>	\$21,098	N1	1850	1.15	184	96.2	48.701	575	14
		1800	504/5	<a href="#">20018ET3G504-W22</a>	\$21,098	N1	2621	1.15	228	96.2	54.095	460	
		1200	445/7T	<a href="#">20012ET3G447T-W22</a>	\$25,133	N1	2406	1.15	237	95.8	48.701	460	
		1200	445/7T	<a href="#">20012ET3GRB447T-W22</a>	\$25,133	N1	2588	1.15	237	95.8	48.701	460	14
		1200	447/9T	<a href="#">20012ET3E449T-W22</a>	\$25,255	N1	2495	1.15	237	95.8	56.338	230/460	
		1200	447/9T	<a href="#">20012ET3G449T-W22</a>	\$25,255	N1	3044	1.15	237	95.8	56.338	460	
		1200	447/9T	<a href="#">20012ET3GRB449T-W22</a>	\$25,255	N1	2940	1.15	237	95.8	56.338	460	14
		1200	447/9T	<a href="#">20012ET3H449T-W22</a>	\$25,255	N1	2933	1.15	190	95.8	56.338	575	
1200	504/5	<a href="#">20012ET3G505-W22</a>	\$25,133	N1	2467	1.15	237	95.8	54.095	460			
	900	447/9T	<a href="#">20009ET3G449T-W22</a>	\$49,899	N1	3255	1.15	254	95.0	56.338	460		
250	185	3600	445/7TS	<a href="#">25036ET3G447TS-W22</a>	\$29,846	N1	2535	1.15	266	95.8	44.951	460	
		3600	447/9TS	<a href="#">25036ET3G449TS-W22</a>	\$33,173	N1	2730	1.15	266	95.8	52.588	460	
		1800	445/7TS	<a href="#">25018ET3G447TS-W22</a>	\$27,189	N1	2709	1.15	281	96.2	44.951	460	
		1800	445/7T	<a href="#">25018ET3H447T-W22</a>	\$26,716	N1	2710	1.15	225	96.2	48.701	575	
		1800	445/7TS	<a href="#">25018ET3H447TS-W22</a>	\$27,189	N1	2896	1.15	225	96.2	44.951	575	
		1800	445/7T	<a href="#">25018ET3G447T-W22</a>	\$26,716	N1	2446	1.15	281	96.2	48.701	460	
		1800	445/7T	<a href="#">25018ET3GRB447T-W22</a>	\$26,716	N1	2554	1.15	281	96.2	48.701	460	14
		1800	445/7T	<a href="#">25018ET3HRB447T-W22</a>	\$26,716	N1	2414	1.15	225	96.2	48.701	575	14,51
		1800	447/9T	<a href="#">25018ET3G449T-W22</a>	\$26,803	N1	2879	1.15	281	96.2	56.338	460	
		1800	447/9T	<a href="#">25018ET3GRB449T-W22</a>	\$26,803	N1	2815	1.15	281	96.2	56.338	460	14
		1200	447/9T	<a href="#">25012ET3E449T-W22</a>	\$35,555	N1	3217	1.15	292	95.8	56.338	230/460	
		1200	447/9T	<a href="#">25012ET3G449T-W22</a>	\$35,555	N1	3090	1.15	292	95.8	56.338	460	
		1200	447/9T	<a href="#">25012ET3GRB449T-W22</a>	\$35,555	N1	3224	1.15	292	95.8	56.338	460	14
		1200	447/9T	<a href="#">25012ET3H449T-W22</a>	\$35,555	N1	3206	1.15	234	95.8	56.338	575	
		1200	586/7	<a href="#">25012ET3G586/7-W22</a>	\$39,631	N1	3769	1.15	299	95.8	61.902	460	43
			900	L447/9T	<a href="#">25009ET3G449T-W22</a>	\$56,168	N1	3590	1.15	308	95.4	57.181	460
300	220	3600	447/9TS	<a href="#">30036ET3G449TS-W22</a>	\$38,269	N1	2987	1.15	320	95.8	52.588	460	
		1800	447/9TS	<a href="#">30018ET3G449TS-W22</a>	\$31,384	N1	2894	1.15	330	96.2	52.588	460	44
		1800	447/9T	<a href="#">30018ET3G449T-W22</a>	\$31,384	N1	2888	1.15	330	96.2	56.338	460	
		1800	447/9T	<a href="#">30018ET3GRB449T-W22</a>	\$31,384	N1	2992	1.15	330	96.2	56.338	460	14
		1200	447/9T	<a href="#">30012ET3G449T-W22</a>	\$38,437	N1	3178	1.00	356	95.8	56.338	460	37
		1200	447/9T	<a href="#">30012ET3GKD449T-W22</a>	\$38,437	K1	3313	1.00	356	95.8	56.338	460	14
		1200	586/7	<a href="#">30012ET3G586/7-W22</a>	\$44,301	N1	4061	1.15	356	95.8	61.902	460	43
			900	L447/9T	<a href="#">30009ET3G449T-W22</a>	\$58,655	N1	3826	1.15	371	95.4	57.181	460

*continued on next page*

Please refer to back cover for description of "NOTES"

For detailed specifications, data sheets, drawings and performance curves visit <http://www.weg.net>





## TEFC - Foot Mount - *continued*

HP	kW	RPM	Frame	Catalog Number	List Price	Mult. Symbol	Approx. Shipping Weight (lbs)	Service Factor	FL Amps @ High	FL. Eff (%)	"C" Dimension (in)	Voltage (V)	Notes
350	260	3600	447/9TS	<a href="#">35036ET3G449TS-W22</a>	\$43,805	N1	3120	1.15	377	96.2	52.588	460	
		1800	447/9TS	<a href="#">35018ET3G449TS-W22</a>	\$36,517	N1	3123	1.15	394	96.2	52.588	460	44
		1800	447/9T	<a href="#">35018ET3G449T-W22</a>	\$36,517	N1	3168	1.15	394	96.2	56.338	460	
		1800	447/9T	<a href="#">35018ET3GRB449T-W22</a>	\$36,517	N1	2941	1.15	394	96.2	56.338	460	14
		1200	L447/9T	<a href="#">35012ET3G449T-W22</a>	\$47,633	N1	3781	1.15	415	95.8	57.181	460	37,43
		1200	L447/9T	<a href="#">35012ET3GRB449T-W22</a>	\$47,633	N1	3800	1.15	415	95.8	57.181	460	14,19,37,43
		900	586/7	<a href="#">35009ET3G586/7-W22</a>	\$64,873	N1	5028	1.00	426	95.8	61.902	460	1,19,43
400	300	3600	L447/9TS	<a href="#">40036ET3G449TS-W22</a>	\$44,605	N1	3361	1.15	432	95.8	53.431	460	43
		1800	L447/9TS	<a href="#">40018ET3G449TS-W22</a>	\$43,805	N1	3328	1.15	445	96.2	53.431	460	43
		1800	L447/9T	<a href="#">40018ET3G449T-W22</a>	\$43,805	N1	3416	1.15	445	96.2	57.181	460	43
		1800	L447/9T	<a href="#">40018ET3GRB449T-W22</a>	\$43,805	N1	3404	1.15	445	96.2	57.181	460	14,43
		1800	L447/9T	<a href="#">40018ET3H449T-W22</a>	\$43,805	N1	3400	1.15	356	96.2	57.181	575	43
		1200	L447/9T	<a href="#">40012ET3G449T-W22</a>	\$52,307	N1	3720	1.00	477	95.8	57.181	460	19,37,43
		1200	L447/9T	<a href="#">40012ET3GRB449T-W22</a>	\$52,307	N1	3827	1.00	477	95.8	57.181	460	14,19,37,43
		1200	586/7	<a href="#">40012ET3G586/7-W22</a>	\$56,201	N1	4663	1.15	483	96.2	61.902	460	43
		900	588/9	<a href="#">40009ET3G588/9-W22</a>	\$66,123	N1	3308	1.00	498	95.7	69.381	460	1,19,43
450	330	3600	L447/9TS	<a href="#">45036ET3G449TS-W22</a>	\$49,610	N1	3537	1.00	475	95.8	53.431	460	1,19,43
		1800	L447/9T	<a href="#">45018ET3G449T-W22</a>	\$48,010	N1	3681	1.15	501	96.2	57.181	460	43
		1800	L447/9T	<a href="#">45018ET3GRB449T-W22</a>	\$48,010	N1	3657	1.15	501	96.2	57.181	460	14,43
		1200	586/7	<a href="#">45012ET3G586/7-W22</a>	\$62,251	N1	4957	1.00	532	96.2	61.902	460	1,19,43
		1200	586/7	<a href="#">45012ET3GRB586/7-W22</a>	\$62,251	N1	5248	1.00	532	96.2	61.902	460	1,14,19,43
		900	588/9	<a href="#">45009ET3G588/9-W22</a>	\$68,715	N1	5915	1.00	534	95.8	69.381	460	1,19,43,44
500	370	3600	586/7S	<a href="#">50036ET3G586/7S-W22</a>	\$56,305	N1	4649	1.15	530	96.2	55.027	460	43,44
		1800	L447/9T	<a href="#">50018ET3G449T-W22</a>	\$50,594	N1	3889	1.00	561	96.2	57.181	460	1,19,43,44
		1800	L447/9T	<a href="#">50018ET3GRB449T-W22</a>	\$50,594	N1	5424	1.00	561	96.2	57.181	460	14,19,43
		1200	586/7	<a href="#">50012ET3G586/7-W22</a>	\$62,962	N1	4916	1.00	603	96.2	61.902	460	1,19,43,44
600	450	3600	588/9S	<a href="#">60036ET3G588/9S-W22</a>	\$64,635	N1	5142	1.00	650	96.5	62.506	460	1,19,43,44
		1800	586/7	<a href="#">60018ET3G586/7-W22</a>	\$60,316	N1	4963	1.00	665	96.5	61.902	460	1,19,43,44
		1200	588/9	<a href="#">60012ET3G588/9-W22</a>	\$71,374	N1	6168	1.00	743	96.2	69.381	460	1,19,43,44
650	480	3600	588/9S	<a href="#">65036ET3G588/9S-W22</a>	\$66,835	N1	4805	1.00	685	96.6	62.506	460	1,19,43,44
		1800	588/9	<a href="#">65018ET3G588/9-W22</a>	\$66,701	N1	5597	1.00	734	96.6	69.381	460	1,419,3,44
700	515	3600	588/9S	<a href="#">70036ET3G588/9S-W22</a>	\$71,254	N1	5680	1.00	736	96.6	62.506	460	1,19,43,44
		1800	588/9	<a href="#">70018ET3G588/9-W22</a>	\$71,185	N1	5940	1.00	788	96.6	69.381	460	1,19,43,44
750	550	1800	588/9	<a href="#">75018ET3G588/9-W22</a>	\$74,025	N1	5154	1.00	840	96.7	69.381	460	1,19,43,44

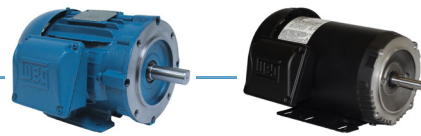
Please refer to back cover for description of "NOTES"

For detailed specifications, data sheets, drawings and performance curves visit <http://www.weg.net>

Data subject to change without notice.

Can't find what you are looking for? Call 1-800-ASK-4WEG (275-4934)

# Three-Phase General Purpose Motors



## TEFC - C-Face - Foot Mount

Three-Phase  
General Purpose  
Motors

HP	kW	RPM	Frame	Catalog Number	List Price	Mult. Symbol	Approx. Shipping Weight (lbs)	Service Factor	FL Amps @ High	FL Eff (%)	"C" Dimension (in)	Voltage (V)	Notes
0.25	0.18	3600	56C	.2536ES3E56C-S	\$258	F1	21	1.15	0.50	57.5	11.142	208-230/460	9
		1800	56C	.2518ES3E56C-S	\$270	F1	23	1.15	0.50	70.0	11.142	208-230/460	9
		1800	56C	.2518ES3H56C-S	\$270	F1	23	1.15	0.40	70.0	11.142	575	9
0.33	0.25	3600	56C	.3336ES3E56C-S	\$270	F1	22	1.15	0.60	62.0	11.142	208-230/460	9
		3600	56C	.3336ES3H56C-S	\$270	F1	22	1.15	0.50	62.0	11.142	575	9
		1800	56C	.3318ES3E56C-S	\$274	F1	24	1.15	0.60	74.0	11.535	208-230/460	9
0.5	0.37	3600	56C	.5036ES3H56C-S	\$281	F1	24	1.15	0.70	68.0	11.535	575	9
		1800	56C	.5018ES3E56C-S	\$311	F1	26	1.15	0.90	77.0	11.535	208-230/460	9
		1800	56C	.5018ES3H56C-S	\$263	F1	26	1.15	0.70	77.0	11.535	575	9
0.75	0.55	1200	56C	.5012ES3E56C-S	\$440	F1	31	1.15	1.00	72.0	12.323	208-230/460	9
		3600	56C	.7536ES3E56C-S	\$311	F1	25	1.15	1.10	72.0	11.535	208-230/460	9
		3600	56C	.7536ES3H56C-S	\$310	F1	25	1.15	0.90	72.0	11.535	575	9
		1800	56C	.7518ES3E56C-S	\$332	F1	28	1.15	1.20	78.5	11.929	208-230/460	9
		1800	56C	.7518ES3H56C-S	\$333	F1	28	1.15	1.00	78.5	11.929	575	9
1	0.75	1200	56HC	.7512ES3E56C-S	\$449	F1	34	1.15	1.30	75.5	12.716	208-230/460	9
		3600	W56C	00136ET3EW56C-S	\$420	F1	25	1.15	1.50	78.5	11.106	230/460	9
		3600	W56C	00136ET3HW56C-S	\$420	F1	25	1.15	1.20	78.5	11.106	575	9
		3600	143/5TC	00136ET3E143TC-W22	\$566	N1	47	1.25	1.44	81.5	13.358	230/460	
		1800	56C	00118ET3E56C-S	\$407	F1	41	1.15	1.50	85.5	13.504	230/460	9
		1800	56C	00118ET3H56C-S	\$407	F1	41	1.15	1.20	85.5	13.504	575	9
		1800	143/5TC	00118ET3E143TC-S	\$484	RSP	42	1.15	1.50	85.5	13.583	230/460	9
		1800	143/5TC	00118ET3H143TC-S	\$484	RSP	42	1.15	1.20	85.5	13.583	575	9
		1800	143/5TC	00118ET3E143TC-W22	\$555	N1	50	1.25	1.47	85.5	13.358	230/460	
		1800	143/5TC	00118ET3H143TC-W22	\$555	N1	50	1.25	1.18	85.5	13.358	575	
		1200	56HC	00112ET3E56C-S	\$525	F1	42	1.15	1.60	82.5	13.504	230/460	9
		1200	143/5TC	00112ET3E145TC-S	\$554	RSP	43	1.15	1.60	82.5	13.583	230/460	9
1.5	1.1	1200	143/5TC	00112ET3E145TC-W22	\$636	N1	57	1.25	1.73	82.5	13.358	230/460	
		3600	56C	00156ET3E56C-S	\$461	F1	37	1.15	1.90	84.0	13.109	230/460	9
		3600	56C	00156ET3H56C-S	\$461	F1	37	1.15	1.50	84.0	13.109	575	9
		3600	143/5TC	00156ET3E143TC-S	\$497	RSP	39	1.15	1.90	84.0	13.189	230/460	9
		3600	143/5TC	00156ET3E143TC-W22	\$571	N1	52	1.25	1.96	84.0	13.358	230/460	
		3600	143/5TC	00156ET3H143TC-W22	\$571	N1	51	1.25	1.57	84.0	13.358	575	
		1800	56HC	00158ET3E56C-S	\$463	F1	44	1.15	2.00	86.5	13.504	230/460	9
		1800	56HC	00158ET3H56C-S	\$463	F1	44	1.15	1.60	86.5	13.504	575	9
		1800	143/5TC	00158ET3E145TC-S	\$504	RSP	43	1.15	2.00	86.5	13.583	230/460	9
		1800	143/5TC	00158ET3H145TC-S	\$504	RSP	43	1.15	1.60	86.5	13.583	575	9
		1800	143/5TC	00158ET3E145TC-W22	\$579	N1	56	1.25	2.02	86.5	13.358	230/460	
		1800	143/5TC	00158ET3H145TC-W22	\$579	N1	56	1.25	1.62	86.5	13.358	575	
1200	182/4TC	00152ET3E182TC-S	\$690	RSP	85	1.15	2.20	87.5	16.339	230/460	9		
1200	182/4TC	00152ET3E182TC-W22	\$792	N1	101	1.25	2.54	87.5	15.860	230/460			

continued on next page

Please refer to back cover for description of "NOTES"

For detailed specifications, data sheets, drawings and performance curves visit <http://www.weg.net>



## TEFC - C-Face - Foot Mount - continued

HP	kW	RPM	Frame	Catalog Number	List Price	Mult. Symbol	Approx. Shipping Weight (lbs)	Service Factor	FL Amps @ High	FL. Eff (%)	"C" Dimension (in)	Voltage (V)	Notes
2	1.5	3600	56HC	<a href="#">00236ET3E56C-S</a>	\$517	F1	44	1.15	2.50	85.5	13.898	230/460	9
		3600	56HC	<a href="#">00236ET3H56C-S</a>	\$517	F1	44	1.15	2.00	85.5	13.898	575	9
		3600	143/5TC	<a href="#">00236ET3H145TC-S</a>	\$539	RSP	45	1.15	2.00	85.5	13.976	575	9
		3600	143/5TC	<a href="#">00236ET3E145TC-W22</a>	\$619	N1	56	1.25	2.56	85.5	13.358	230/460	
		3600	143/5TC	<a href="#">00236ET3H145TC-W22</a>	\$619	N1	56	1.25	2.05	85.5	13.358	575	
		1800	56HC	<a href="#">00218ET3E56C-S</a>	\$506	F1	46	1.15	2.70	86.5	13.898	230/460	9
		1800	143/5TC	<a href="#">00218ET3E145TC-S</a>	\$558	RSP	47	1.15	2.70	86.5	13.976	230/460	9
		1800	143/5TC	<a href="#">00218ET3H145TC-S</a>	\$558	RSP	47	1.15	2.20	86.5	13.976	575	9
		1800	143/5TC	<a href="#">00218ET3E145TC-W22</a>	\$640	N1	53	1.25	2.76	86.5	13.358	230/460	
		1800	143/5TC	<a href="#">00218ET3H145TC-W22</a>	\$640	N1	57	1.25	2.21	86.5	13.358	575	
		1200	182/4TC	<a href="#">00212ET3E184TC-S</a>	\$747	RSP	96	1.15	3.00	88.5	17.126	230/460	9
		1200	182/4TC	<a href="#">00212ET3E184TC-W22</a>	\$857	N1	112	1.25	3.22	88.5	15.860	230/460	39
3	2.2	3600	56HC	<a href="#">00336ET3E56C-S</a>	\$606	F1	54	1.15	3.50	86.5	15.079	230/460	9
		3600	56HC	<a href="#">00336ET3H56C-S</a>	\$606	F1	54	1.15	2.80	86.5	15.079	575	9
		3600	143/5TC	<a href="#">00336ET3E145TC-S</a>	\$674	RSP	54	1.15	3.50	86.5	15.157	230/460	9
		3600	182/4TC	<a href="#">00336ET3E182TC-S</a>	\$698	RSP	73	1.15	3.70	86.5	16.339	230/460	9
		3600	182/4TC	<a href="#">00336ET3H182TC-S</a>	\$698	RSP	73	1.15	3.00	86.5	16.339	575	9
		3600	182/4TC	<a href="#">00336ET3E182TC-W22</a>	\$802	N1	103	1.25	3.63	86.5	15.860	230/460	
		3600	182/4TC	<a href="#">00336ET3H182TC-W22</a>	\$802	N1	103	1.25	2.90	86.5	15.860	575	
		1800	182/4TC	<a href="#">00318ET3E182TC-S</a>	\$610	RSP	100	1.15	3.80	89.5	17.913	230/460	9
		1800	182/4TC	<a href="#">00318ET3H182TC-S</a>	\$610	RSP	100	1.15	3.00	89.5	17.913	575	9
		1800	182/4TC	<a href="#">00318ET3E182TC-W22</a>	\$700	N1	96	1.25	3.91	89.5	15.860	230/460	
		1800	182/4TC	<a href="#">00318ET3H182TC-W22</a>	\$700	N1	98	1.25	3.13	89.5	15.860	575	
		1200	213/5TC	<a href="#">00312ET3E213TC-W22</a>	\$1,180	N1	166	1.25	4.41	89.5	19.517	230/460	
900	213/5TC	<a href="#">00309ET3E215TC-W22</a>	\$2,166	N1	192	1.25	4.55	85.5	19.517	230/460			
5	3.7	3600	182/4TC	<a href="#">00536ET3H184TC-S</a>	\$793	RSP	98	1.15	4.70	88.5	17.913	575	9
		3600	182/4TC	<a href="#">00536ET3E184TC-W22</a>	\$911	N1	110	1.25	5.90	88.5	15.860	230/460	
		3600	182/4TC	<a href="#">00536ET3H184TC-W22</a>	\$911	N1	109	1.25	4.72	88.5	15.860	575	
		1800	182/4TC	<a href="#">00518ET3E184TC-S</a>	\$706	RSP	81	1.15	6.50	89.5	17.913	230/460	9
		1800	182/4TC	<a href="#">00518ET3H184TC-S</a>	\$706	RSP	93	1.15	5.20	89.5	17.913	575	9
		1800	182/4TC	<a href="#">00518ET3E184TC-W22</a>	\$810	N1	107	1.25	6.45	89.5	15.860	230/460	
		1800	182/4TC	<a href="#">00518ET3H184TC-W22</a>	\$810	N1	108	1.25	5.16	89.5	15.860	575	
		1200	213/5T	<a href="#">00512ET3E215TC-S</a>	\$1,206	RSP	155	1.15	6.74	89.5	20.079	230/460	9
		1200	213/5TC	<a href="#">00512ET3E215TC-W22</a>	\$1,384	N1	183	1.25	6.83	89.5	19.517	230/460	
		7.5	5.5	3600	182/4TC	<a href="#">00736ET3E184TC-S</a>	\$985	RSP	101	1.15	8.60	89.5	17.126
3600	213/5TC			<a href="#">00736ET3H213TC-S</a>	\$1,025	RSP	153	1.15	7.00	89.5	20.079	575	9
3600	182/4TC			<a href="#">00736ET3E184TC-W22</a>	\$1,112	N1	110	1.25	8.76	89.5	15.860	230/460	
3600	182/4TC			<a href="#">00736ET3H184TC-W22</a>	\$1,112	N1	109	1.25	7.01	89.5	15.860	575	
3600	213/5TC			<a href="#">00736ET3E213TC-W22</a>	\$1,177	N1	166	1.25	8.76	89.5	19.517	230/460	
3600	213/5TC			<a href="#">00736ET3H213TC-W22</a>	\$1,177	N1	166	1.25	7.01	89.5	19.517	575	
1800	213/5TC			<a href="#">00718ET3E213TC-W22</a>	\$1,141	N1	174	1.25	9.18	91.7	19.517	230/460	
1800	213/5TC			<a href="#">00718ET3E213TC-S</a>	\$994	RSP	140	1.15	9.10	91.7	18.898	230/460	9
1800	213/5TC			<a href="#">00718ET3H213TC-W22</a>	\$1,141	N1	178	1.25	7.34	91.7	19.517	575	
1200	254/6TC			<a href="#">00712ET3E254TC-W22</a>	\$2,134	N1	321	1.25	9.48	91.0	24.945	230/460	
900	254/6TC	<a href="#">00709ET3E256TC-W22</a>	\$3,726	N1	341	1.25	11.1	87.5	24.945	230/460			

continued on next page

Please refer to back cover for description of "NOTES"

For detailed specifications, data sheets, drawings and performance curves visit <http://www.weg.net>

Data subject to change without notice.

Can't find what you are looking for? Call 1-800-ASK-4WEG (275-4934)

# Three-Phase General Purpose Motors



## TEFC - C-Face - Foot Mount - continued

Three-Phase  
General Purpose  
Motors

HP	KW	RPM	Frame	Catalog Number	List Price	Mult. Symbol	Approx. Shipping Weight (lbs)	Service Factor	FL Amps @ High	FL. Eff (%)	"C" Dimension (in)	Voltage (V)	Notes
10	7.5	3600	213/5TC	<a href="#">01036ET3H215TC-S</a>	\$1,205	RSP	178	1.15	9.20	90.2	21.654	575	9
		3600	213/5TC	<a href="#">01036ET3E215TC-S</a>	\$1,205	RSP	178	1.15	11.5	90.2	21.654	230/460	9
		3600	213/5TC	<a href="#">01036ET3E215TC-W22</a>	\$1,383	N1	178	1.25	11.6	90.2	19.517	230/460	
		3600	213/5TC	<a href="#">01036ET3H215TC-W22</a>	\$1,383	N1	183	1.25	9.28	90.2	19.517	575	
		1800	213/5TC	<a href="#">01018ET3E215TC-S</a>	\$1,154	RSP	151	1.15	12.2	91.7	19.291	230/460	9
		1800	213/5TC	<a href="#">01018ET3H215TC-S</a>	\$1,154	RSP	151	1.15	9.80	91.7	19.291	575	9
		1800	213/5TC	<a href="#">01018ET3E215TC-W22</a>	\$1,325	N1	183	1.25	12.4	91.7	19.517	230/460	
		1800	213/5TC	<a href="#">01018ET3H215TC-W22</a>	\$1,325	N1	191	1.25	9.92	91.7	19.517	575	
		1200	254/6TC	<a href="#">01012ET3E256TC-W22</a>	\$2,465	N1	329	1.25	12.9	91.0	24.945	230/460	
15	11	3600	213/5TC	<a href="#">01536ET3E215TC-W22</a>	\$1,748	N1	187	1.25	17.0	91.0	19.517	230/460	
		3600	254/6TC	<a href="#">01536ET3H254TC-S</a>	\$1,649	RSP	216	1.15	13.9	91.0	22.559	575	9
		3600	254/6TC	<a href="#">01536ET3E254TC-W22</a>	\$1,893	N1	295	1.25	17.2	91.0	24.945	230/460	
		3600	254/6TC	<a href="#">01536ET3H254TC-W22</a>	\$1,893	N1	302	1.25	13.8	91.0	24.945	575	
		1800	254/6TC	<a href="#">01518ET3E254TC-S</a>	\$1,670	RSP	248	1.15	18.2	92.4	22.559	230/460	9
		1800	254/6TC	<a href="#">01518ET3H254TC-S</a>	\$1,670	RSP	248	1.15	14.6	92.4	22.559	575	9
		1800	254/6TC	<a href="#">01518ET3E254TC-W22</a>	\$1,917	N1	340	1.25	18.0	92.4	24.945	230/460	
		1800	254/6TC	<a href="#">01518ET3H254TC-W22</a>	\$1,917	N1	351	1.25	14.4	92.4	24.945	575	
		1200	284/6TC	<a href="#">01512ET3E284TC-W22</a>	\$3,388	N1	430	1.25	17.9	91.7	27.929	230/460	
1200	284/6TC	<a href="#">01512ET3H284TC-W22</a>	\$3,388	N1	428	1.25	14.3	91.7	27.929	575			
20	15	3600	254/6TC	<a href="#">02036ET3H256TC-S</a>	\$2,136	RSP	256	1.15	18.2	91.0	23.346	575	9
		3600	254/6TC	<a href="#">02036ET3E256TC-W22</a>	\$2,451	N1	318	1.25	23.2	91.0	24.945	230/460	
		3600	254/6TC	<a href="#">02036ET3H256TC-W22</a>	\$2,451	N1	327	1.25	18.6	91.0	24.945	575	
		1800	254/6TC	<a href="#">02018ET3E256TC-S</a>	\$1,978	RSP	279	1.15	24.7	93.0	23.346	230/460	9
		1800	254/6TC	<a href="#">02018ET3H256TC-S</a>	\$1,978	RSP	279	1.15	19.8	93.0	23.346	575	9
		1800	254/6TC	<a href="#">02018ET3E256TC-W22</a>	\$2,270	N1	389	1.25	24.1	93.0	24.945	230/460	
		1800	254/6TC	<a href="#">02018ET3H256TC-W22</a>	\$2,270	N1	401	1.25	19.3	93.0	24.945	575	
		1200	284/6TC	<a href="#">02012ET3E286TC-W22</a>	\$4,060	N1	457	1.25	24.2	91.7	27.929	230/460	
25	18.5	3600	284/6TSC	<a href="#">02536ET3E284TSC-W22</a>	\$3,096	N1	416	1.25	28.5	91.7	26.557	230/460	
		3600	284/6TSC	<a href="#">02536ET3H284TSC-W22</a>	\$3,096	N1	413	1.25	22.8	91.7	26.557	575	
		1800	284/6TC	<a href="#">02518ET3E284TC-W22</a>	\$2,840	N1	418	1.25	29.5	93.6	27.929	230/460	
		1800	284/6TC	<a href="#">02518ET3H284TC-W22</a>	\$2,840	N1	447	1.25	23.6	93.6	27.929	575	
		1200	324/6TC	<a href="#">02512ET3E324TC-W22</a>	\$4,858	N1	601	1.25	30.4	93.0	31.116	230/460	
30	22	3600	284/6TSC	<a href="#">03036ET3E286TSC-W22</a>	\$3,659	N1	433	1.25	33.8	91.7	26.557	230/460	
		3600	284/6TSC	<a href="#">03036ET3H286TSC-W22</a>	\$3,659	N1	433	1.25	27.0	91.7	26.557	575	
		1800	284/6TC	<a href="#">03018ET3E286TC-W22</a>	\$3,321	N1	466	1.25	35.1	93.6	27.929	230/460	
		1800	284/6TC	<a href="#">03018ET3H286TC-W22</a>	\$3,321	N1	484	1.25	28.1	93.6	27.929	575	
		1200	324/6TC	<a href="#">03012ET3E326TC-W22</a>	\$5,394	N1	645	1.25	36.2	93.0	31.116	230/460	
40	30	3600	324/6TSC	<a href="#">04036ET3E324TSC-W22</a>	\$4,845	N1	606	1.25	45.8	92.4	29.616	230/460	
		3600	324/6TSC	<a href="#">04036ET3H324TSC-W22</a>	\$4,845	N1	605	1.25	36.6	92.4	29.616	575	
		1800	324/6TSC	<a href="#">04018ET3E324TSC-W22</a>	\$4,300	N1	629	1.25	47.1	94.1	29.616	230/460	
		1800	324/6TC	<a href="#">04018ET3E324TC-W22</a>	\$4,300	N1	606	1.25	47.1	94.1	31.116	230/460	
		1800	324/6TC	<a href="#">04018ET3H324TC-W22</a>	\$4,300	N1	630	1.25	37.7	94.1	31.116	575	
		1200	364/5TC	<a href="#">04012ET3E364TC-W22</a>	\$7,576	N1	1032	1.25	46.5	94.1	34.251	230/460	
50	37	3600	324/6TSC	<a href="#">05036ET3E326TSC-W22</a>	\$5,437	N1	628	1.25	56.1	93.0	29.616	230/460	
		1800	324/6TSC	<a href="#">05018ET3E326TSC-W22</a>	\$5,221	N1	614	1.25	59.2	94.5	29.616	230/460	
		1800	324/6TC	<a href="#">05018ET3E326TC-W22</a>	\$5,221	N1	625	1.25	59.2	94.5	31.116	230/460	
		1800	324/6TC	<a href="#">05018ET3H326TC-W22</a>	\$5,221	N1	651	1.25	47.4	94.5	31.116	575	
		1200	364/5TC	<a href="#">05012ET3E365TC-W22</a>	\$8,960	N1	1048	1.25	57.4	94.1	34.251	230/460	

continued on next page



## TEFC - C-Face - Foot Mount - *continued*

HP	kW	RPM	Frame	Catalog Number	List Price	Mult. Symbol	Approx. Shipping Weight (lbs)	Service Factor	FL Amps @ High	FL. Eff (%)	"C" Dimension (in)	Voltage (V)	Notes
60	45	3600	364/5TSC	<a href="#">06036ET3E364TSC-W22</a>	<b>\$7,994</b>	N1	990	1.25	67.0	93.6	32.338	230/460	
		3600	364/5TSC	<a href="#">06036ET3H364TSC-W22</a>	<b>\$7,994</b>	N1	992	1.25	53.6	93.6	32.338	575	
		1800	364/5TC	<a href="#">06018ET3E364TC-W22</a>	<b>\$7,831</b>	N1	961	1.25	68.3	95.0	34.251	230/460	
		1800	364/5TC	<a href="#">06018ET3H364TC-W22</a>	<b>\$7,831</b>	N1	1060	1.25	54.6	95.0	34.251	575	
75	55	3600	364/5TSC	<a href="#">07536ET3E365TSC-W22</a>	<b>\$9,533</b>	N1	993	1.25	81.9	93.6	32.338	230/460	
		1800	364/5TC	<a href="#">07518ET3E365TC-W22</a>	<b>\$9,148</b>	N1	1024	1.25	84.1	95.4	34.251	230/460	
		1800	364/5TC	<a href="#">07518ET3H365TC-W22</a>	<b>\$9,148</b>	N1	1075	1.25	67.3	95.4	34.251	575	
		1200	404/5TC	<a href="#">07512ET3H405TC-W22</a>	<b>\$12,549</b>	N1	1337	1.25	67.9	94.5	39.730	575	
100	75	1800	404/5TSC	<a href="#">10018ET3E405TSC-W22</a>	<b>\$12,179</b>	N1	1256	1.25	111	95.4	36.732	230/460	
		1800	404/5TC	<a href="#">10018ET3E405TC-W22</a>	<b>\$12,179</b>	N1	1256	1.25	111	95.4	39.730	230/460	
		1800	404/5TC	<a href="#">10018ET3H405TC-W22</a>	<b>\$12,179</b>	N1	1318	1.25	88.8	95.4	39.730	575	
125	90	1800	444/5TSC	<a href="#">12518ET3G444TSC-W22</a>	<b>\$16,218</b>	N1	1759	1.15	139	95.4	41.407	460	
		1800	444/5TC	<a href="#">12518ET3E444TC-W22</a>	<b>\$16,218</b>	N1	1887	1.15	139	95.4	45.157	230/460	
		1800	444/5TC	<a href="#">12518ET3G444TC-W22</a>	<b>\$16,218</b>	N1	1851	1.15	139	95.4	45.157	460	
		1800	444/5TC	<a href="#">12518ET3H444TC-W22</a>	<b>\$16,218</b>	N1	1851	1.15	111	95.4	45.157	575	
150	110	1800	444/5TC	<a href="#">15018ET3E445TC-W22</a>	<b>\$18,025</b>	N1	1919	1.15	170	95.8	45.157	230/460	
		1800	444/5TC	<a href="#">15018ET3G445TC-W22</a>	<b>\$18,025</b>	N1	1997	1.15	170	95.8	45.157	460	
200	150	1800	445/7TC	<a href="#">20018ET3G447TC-W22</a>	<b>\$21,704</b>	N1	2523	1.15	230	96.2	48.701	460	
250	185	1800	445/7TSC	<a href="#">25018ET3G447TSC-W22</a>	<b>\$27,795</b>	N1	2361	1.15	281	96.2	44.951	460	
300	220	1800	447/9TC	<a href="#">30018ET3G449TC-W22</a>	<b>\$31,990</b>	N1	3069	1.15	330	96.2	56.338	460	

Please refer to back cover for description of "NOTES"

For detailed specifications, data sheets, drawings and performance curves visit <http://www.weg.net>

Data subject to change without notice.

Can't find what you are looking for? Call 1-800-ASK-4WEG (275-4934)



## TEFC - C-Face - Footless

Three-Phase  
General Purpose  
Motors

HP	kW	RPM	Frame	Catalog Number	List Price	Mult. Symbol	Approx. Shipping Weight (lbs)	Service Factor	FL Amps @ High	FL Eff (%)	"C" Dimension (in)	Voltage (V)	Notes
0.33	0.25	3600	56C	.3336ES3E56CFL-S	\$270	F1	22	1.15	0.60	62.0	11.142	208-230/460	9,20
		3600	56C	.3336ES3H56CFL-S	\$270	F1	22	1.15	0.50	62.0	11.142	575	9,20
		1800	56C	.3318ES3E56CFL-S	\$274	F1	24	1.15	0.60	74.0	11.535	208-230/460	9,20
0.5	0.37	1800	56C	.5018ES3E56CFL-S	\$311	F1	26	1.15	0.90	77.0	11.535	208-230/460	9,20
		1800	56C	.5018ES3H56CFL-S	\$312	F1	26	1.15	0.70	77.0	11.535	575	9,20
0.75	0.55	3600	56C	.7536ES3E56CFL-S	\$311	F1	25	1.15	1.10	72.0	11.535	208-230/460	9,20
		3600	56C	.7536ES3H56CFL-S	\$312	F1	25	1.15	0.90	72.0	11.535	575	9,20
		1800	56C	.7518ES3E56CFL-S	\$332	F1	28	1.15	1.20	78.5	11.929	208-230/460	9,20
		1800	56C	.7518ES3H56CFL-S	\$333	F1	28	1.15	1.00	78.5	11.929	575	9,20
		1200	56C	.7512ES3E56CFL-S	\$449	F1	34	1.15	1.30	75.5	12.716	208-230/460	9,20
		1200	56C	.7512ES3H56CFL-S	\$450	F1	34	1.15	1.10	75.5	12.716	575	9,20
1	0.75	3600	W56C	00136ET3EW56CFL-S	\$420	F1	25	1.15	1.50	78.5	11.106	230/460	9,20
		3600	143TC	00136ET3ER143TC-W22	\$577	N1	44	1.25	1.44	81.5	13.065	230/460	15
		1800	56C	00118ET3E56CFL-S	\$407	F1	41	1.15	1.50	85.5	13.504	230/460	9,20
		1800	56C	00118ET3H56CFL-S	\$407	F1	41	1.15	1.20	85.5	13.504	575	9,20
		1800	143/5TC	00118ET3ER143TC-S	\$484	RSP	42	1.15	1.50	85.5	13.583	230/460	9,15
		1800	143TC	00118ET3ER143TC-W22	\$572	N1	47	1.25	1.47	85.5	13.065	230/460	15
		1200	56C	00112ET3E56CFL-S	\$528	F1	42	1.15	1.60	82.5	13.504	230/460	9,20
		1200	56C	00112ET3H56CFL-S	\$528	F1	42	1.15	1.30	82.5	13.504	575	9,20
		1200	143/5TC	00112ET3ER145TC-S	\$554	RSP	43	1.15	1.60	82.5	13.583	230/460	9,15,51
		1200	145TC	00112ET3ER145TC-W22	\$655	N1	56	1.25	1.73	82.5	16.197	230/460	15
1.5	1.1	1200	143/5TC	00112ET3VR145TC-S	554	N1S	38.6	1.15	1.82	82.5	14.960	200/400	9,20
		3600	56C	00156ET3E56CFL-S	\$461	F1	37	1.15	1.90	84.0	13.109	230/460	9,20
		3600	143/5TC	00156ET3ER143TC-S	\$497	RSP	39	1.15	1.90	84.0	13.189	230/460	9,15
		3600	143TC	00156ET3ER143TC-W22	\$588	N1	48	1.25	1.96	84.0	13.065	230/460	15
		1800	56C	00158ET3E56CFL-S	\$463	F1	44	1.15	2.00	86.5	13.504	230/460	9,20
		1800	143/5TC	00158ET3ER145TC-S	\$504	RSP	43	1.15	2.00	86.5	13.583	230/460	9,15
		1800	145TC	00158ET3ER145TC-W22	\$596	N1	55	1.25	2.02	86.5	14.077	230/460	15
		1200	182/4TC	00152ET3ER182TC-S	\$690	RSP	90	1.15	2.20	87.5	16.339	230/460	9,15
1200	182TC	00152ET3ER182TC-W22	\$816	N1	100	1.25	2.54	87.5	16.197	230/460	15,39		
2	1.5	3600	56C	00236ET3E56CFL-S	\$517	F1	44	1.15	2.50	85.5	13.898	230/460	9,20
		3600	143/5TC	00236ET3ER145TC-S	\$539	RSP	45	1.15	2.50	85.5	13.976	230/460	9,15
		3600	145TC	00236ET3ER145TC-W22	\$638	N1	55	1.25	2.56	85.5	14.077	230/460	15
		1800	56C	00218ET3E56CFL-S	\$506	F1	46	1.15	2.70	86.5	13.898	230/460	9,20
		1800	143/5TC	00218ET3ER145TC-S	\$558	RSP	47	1.15	2.70	86.5	13.976	230/460	9,15
		1800	145TC	00218ET3ER145TC-W22	\$659	N1	56	1.25	2.76	86.5	14.077	230/460	15
		1200	182/4TC	00212ET3ER184TC-S	\$747	RSP	98	1.15	3.00	88.5	17.126	230/460	9,15
		1200	184TC	00212ET3ER184TC-W22	\$883	N1	110	1.25	3.22	88.5	17.197	230/460	15

continued on next page

Please refer to back cover for description of "NOTES"

For detailed specifications, data sheets, drawings and performance curves visit <http://www.weg.net>

## TEFC - C-Face - Footless - *continued*

HP	kW	RPM	Frame	Catalog Number	List Price	Mult. Symbol	Approx. Shipping Weight (lbs)	Service Factor	FL Amps @ High	FL Eff (%)	"C" Dimension (in)	Voltage (V)	Notes
3	2.2	3600	56C	<a href="#">00336ET3E56CFL-S</a>	\$606	F1	54	1.15	3.50	86.5	15.079	230/460	9,20
		3600	56C	<a href="#">00336ET3H56CFL-S</a>	\$606	F1	54	1.15	2.80	86.5	15.079	575	9,20
		3600	145TC	<a href="#">00336ET3ER145TC-W22</a>	\$677	N1	58	1.25	3.71	86.5	14.077	230/460	15
		3600	182/4TC	<a href="#">00336ET3ER182TC-S</a>	\$698	RSP	73	1.15	3.70	86.5	16.339	230/460	9,15
		3600	182TC	<a href="#">00336ET3ER182TC-W22</a>	\$826	N1	108	1.25	3.63	86.5	16.197	230/460	15
		1800	182/4TC	<a href="#">00318ET3ER182TC-S</a>	\$610	RSP	100	1.15	3.80	89.5	17.913	230/460	9,15
		1800	182TC	<a href="#">00318ET3ER182TC-W22</a>	\$721	N1	104	1.25	3.91	89.5	16.197	230/460	15,39
		1200	213/5TC	<a href="#">00312ET3ER213TC-S</a>	\$1,028	RSP	148	1.15	4.20	89.5	19.291	230/460	9,15
		1200	213TC	<a href="#">00312ET3ER213TC-W22</a>	\$1,203	N1	154	1.25	4.41	89.5	19.399	230/460	15
5	3.7	3600	182/4TC	<a href="#">00536ET3ER184TC-S</a>	\$793	RSP	98	1.15	5.90	88.5	17.913	230/460	9,15
		3600	184TC	<a href="#">00536ET3ER184TC-W22</a>	\$938	N1	115	1.25	5.90	88.5	17.197	230/460	15
		1800	182/4TC	<a href="#">00518ET3ER184TC-S</a>	\$706	RSP	93	1.15	6.50	89.5	17.913	230/460	9,15
		1800	184TC	<a href="#">00518ET3ER184TC-W22</a>	\$834	N1	113	1.25	6.45	89.5	17.197	230/460	15
		1200	213/5TC	<a href="#">00512ET3ER215TC-S</a>	\$1,206	RSP	162	1.15	6.70	89.5	20.079	230/460	9,15
		1200	215TC	<a href="#">00512ET3ER215TC-W22</a>	\$1,426	N1	178	1.25	6.83	89.5	20.895	230/460	15
7.5	5.5	3600	213/5TC	<a href="#">00736ET3ER213TC-S</a>	\$1,025	RSP	153	1.15	8.70	89.5	20.079	230/460	9,15
		3600	213TC	<a href="#">00736ET3ER213TC-W22</a>	\$1,212	N1	155	1.25	8.76	89.5	19.399	230/460	15
		1800	213/5TC	<a href="#">00718ET3ER213TC-S</a>	\$994	RSP	140	1.15	9.10	91.7	18.898	230/460	9,15
		1800	213TC	<a href="#">00718ET3ER213TC-W22</a>	\$1,175	N1	167	1.25	9.18	91.7	19.399	230/460	15
		1200	254/6TC	<a href="#">00712ET3ER254TC-S</a>	\$1,859	RSP	257	1.15	10.0	91.0	22.559	230/460	9,15
10	7.5	3600	213/5TC	<a href="#">01036ET3ER215TC-S</a>	\$1,205	RSP	178	1.15	11.5	90.2	21.654	230/460	9,15
		3600	215TC	<a href="#">01036ET3ER215TC-W22</a>	\$1,424	N1	179	1.25	11.6	90.2	20.895	230/460	15
		1800	213/5TC	<a href="#">01018ET3ER215TC-S</a>	\$1,154	RSP	151	1.15	12.2	91.7	19.291	230/460	9,15
		1800	215TC	<a href="#">01018ET3ER215TC-W22</a>	\$1,366	N1	187	1.25	12.4	91.7	20.895	230/460	15
		1800	213/5TC	<a href="#">01018ET3HR215TC-S</a>	\$1,154	RSP	151	1.15	9.80	91.7	19.291	575	9,15
		1200	254/6TC	<a href="#">01012ET3ER256TC-S</a>	\$2,148	RSP	286	1.15	13.8	91.0	23.346	230/460	9,15,51
15	11	3600	254/6TC	<a href="#">01536ET3ER254TC-S</a>	\$1,649	RSP	216	1.15	17.4	91.0	22.559	230/460	9,15
		3600	254TC	<a href="#">01536ET3ER254TC-W22</a>	\$1,950	N1	300	1.25	17.2	91.0	25.063	230/460	15
		1800	254/6TC	<a href="#">01518ET3ER254TC-S</a>	\$1,670	RSP	248	1.15	18.2	92.4	22.559	230/460	9,15
		1800	254TC	<a href="#">01518ET3ER254TC-W22</a>	\$1,975	N1	348	1.25	18.0	92.4	25.063	230/460	15
		1800	254/6TC	<a href="#">01518ET3HR254TC-S</a>	\$1,670	RSP	248	1.15	14.6	92.4	22.559	575	9,15
20	15	3600	254/6TC	<a href="#">02036ET3ER256TC-S</a>	\$2,136	RSP	256	1.15	22.7	91.0	23.346	230/460	9,15
		3600	256TC	<a href="#">02036ET3ER256TC-W22</a>	\$2,525	N1	335	1.25	23.2	91.0	26.795	230/460	15
		1800	254/6TC	<a href="#">02018ET3ER256TC-S</a>	\$1,978	RSP	279	1.15	24.7	93.0	23.346	230/460	9,15
		1800	256TC	<a href="#">02018ET3ER256TC-W22</a>	\$2,338	N1	407	1.25	24.1	93.0	26.795	230/460	15
25	18.5	3600	284TSC	<a href="#">02536ET3ER284TSC-W22</a>	\$3,187	N1	406	1.25	28.5	91.7	27.305	230/460	15
		1800	284TC	<a href="#">02518ET3ER284TC-W22</a>	\$2,925	N1	441	1.25	29.5	93.6	28.677	230/460	15
30	22	3600	286TSC	<a href="#">03036ET3ER286TSC-W22</a>	\$3,767	N1	436	1.25	33.8	91.7	28.801	230/460	15
		1800	286TC	<a href="#">03018ET3ER286TC-W22</a>	\$3,421	N1	489	1.25	35.1	93.6	30.173	230/460	15
		1200	326TSC	<a href="#">03012ET3ER326TSC-W22</a>	\$5,768	N1	732	1.25	36.2	93.0	32.254	230/460	15
40	30	3600	324TSC	<a href="#">04036ET3ER324TSC-W22</a>	\$4,988	N1	684	1.25	45.8	92.4	30.758	230/460	15
		1800	324TC	<a href="#">04018ET3ER324TC-W22</a>	\$4,429	N1	613	1.25	47.1	94.1	32.258	230/460	15
50	37	1800	326TC	<a href="#">05018ET3ER326TC-W22</a>	\$5,378	N1	648	1.25	59.2	94.5	33.754	230/460	15
60	45	1800	364/5TC	<a href="#">06018ET3ER364TC-W22</a>	\$8,053	N1	869	1.25	68.3	95.0	37.440	230/460	15
75	55	1800	364/5TC	<a href="#">07518ET3ER365TC-W22</a>	\$9,408	N1	1256	1.25	84.1	95.4	37.440	230/460	15

Please refer to back cover for description of "NOTES"

For detailed specifications, data sheets, drawings and performance curves visit <http://www.weg.net>

Data subject to change without notice.

Can't find what you are looking for? Call 1-800-ASK-4WEG (275-4934)

# Three-Phase General Purpose Motors

## W40 - ODP CAST IRON

WEG Open Drip Proof (ODP) motor is a general purpose line designed for environments where dirt and moisture are minimal. The ODP cast iron frame is designed to provide maximum ventilation and heat dissipation, offering low vibration levels, high mechanical stiffness and durability. Widely used in applications such as compressors, pumps and chillers, the ODP motor line meets or exceeds the efficiency levels determined by International Standards and the minimum efficiency level programs in force worldwide.

### Standard Features

- Rated output: NEMA (60 Hz) - 15 to 2,500 HP
- Number of poles: 2 through 6
- Frame sizes NEMA 254T to L6808/09
- Frequency: 50 or 60 Hz
- Voltage: 208 to 4,160 V
- Degree of protection ODP (IP23) for frames 256T to L5810 WPI (IP24) for frame size L6808/09
- Efficiency levels: NEMA Premium® Efficiency (60Hz)
- Color: RAL 5009
- Solid Mounting Feet
- Cooling method: IC-01 according to DIN EN 60034-6
- Mounting: F-1
- Frame, end-shields and terminal box material: FC 200 cast iron
- Flying leads for motor connection
- PT100 3 wires - one per phase for frame size 5010/11 up to L6808/09 - Voltage 1.2kV and above

### Optional Features

- Voltage: 5,000 to 6,600 V
- Accessories terminal box (standard for medium and high voltage motors)
- Thermal protections: Thermostats or RTD's (Pt-100) on windings or bearings
- Space heaters
- Cable glands
- Roller bearings
- Rodent Screens



### Features that make a difference:

- Nameplated 50 Hz at reduced HP IE3 Efficiency and CE Mark
- Class F insulation (Impregnation Resin and Magnet wire are class H)
- Class B Rise at 1.15 Service Factor
- F1 Mounted (Cast Iron Frame motors are F2 convertible)
- Stainless Steel Nameplate - Laser etched with high contrast background (Cast Iron Frames only)
- Cast Iron Frames: Regreasable ball bearings (Frames 254T and up)

### Inverter Rated:

**1000:1 for variable torque**

**2:1 for constant torque**





# Three-Phase General Purpose Motors

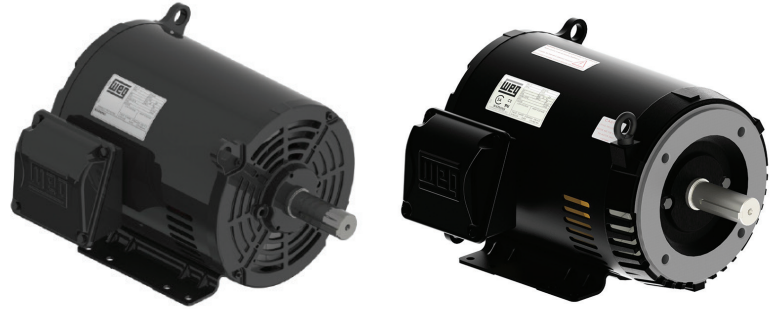
ODP ROLLED STEEL

## Standard Features:

- Rated Output: 0.25 to 25 HP
- Number of Poles: 2 through 6
- Class F insulation
- Frame Sizes: NEMA 56 to 254/6T
- Efficiency levels: NEMA Premium®
- Frequency: 60 Hz (dual rated 50 Hz 190-220/380-415V)
- IP21 standard
- F1 mount as standard
- Foot mount / C-face / Footless availability
- Enclosure: ODP
- Aluminum endshields
- Cast Iron flanges for improved strength (182/4TC and larger)
- Internal bolts, giving a clean surface to the motor, avoiding trapping materials and allowing easy paint job after assembly to the load if required
- Double shielded ball bearings on frames 56 to 213/5T. Optional double sealed ball bearings and/or bearing cap
- Versions: General Purpose, Jet Pump, Close-coupled Pump type “JM” and “JP” and Compressor Duty

## Optional Features:

- F2 and Build Option F3 mount
- Build Option Enclosure: ODPAO
- Regreasable bearings optional on 182/4T and 213/5T
- Double sealed ball bearings and/or bearing cap
- Drip cover
- Internal AEGIS® SGR
- Space heaters and thermal protection (thermostats or thermistors)
- Refer to the mod section for more options



Three-Phase  
General Purpose  
Motors

## Features that make a difference:

- New ventilation system for improved thermal performance
- Robust feet design suitable for tougher applications
- New and more robust eyebolts design (frames 182/4T and up) plus a second eyebolt on non-drive end allowing vertical lifting capability (frames 213/5T and 254/6T)
- Oversized diagonally split aluminum terminal box that exceeds IP55 requirements
- Terminal box rotatable in 90 degree increments for flexibility during installation
- Option for internal AEGIS® SGR
- Color coded leads as standard for easy wiring
- Regreasable ball bearings on 254/6T frame as standard (optional for 182/4T and 213/5T)
- Bearing cap as standard on flanged motors, optional on non flanged
- Suitable for VFD operation as per NEMA MG1 part 31.4.4.2
- Motor frame painting system 500 hours salt spray resistant



# Three-Phase General Purpose Motors



## ODP Foot Mount

Three-Phase General Purpose Motors

HP	kW	RPM	Frame	Catalog Number	List Price	Mult. Symbol	Approx. Shipping Weight (lbs)	Service Factor	FL Amps @ High	FL. Eff (%)	C Dimension (in)	Voltage (V)	Notes
0.25	0.18	3600	56	.25360T3E56-S	\$231	F2B	19	1.35	0.46	65.6	10.315	230/460	9
		1800	48	.25180T3E48-S	\$235	F2B	18	1.35	0.48	70.0	9.492	230/460	9
		1800	56	.25180T3E56-S	\$235	F2B	19	1.35	0.53	69.5	9.921	230/460	9
		1200	56	.25120T3E56-S	\$288	F2B	21	1.35	0.55	67.5	10.315	230/460	9
0.33	0.25	3600	56	.33360T3E56-S	\$242	F2B	19	1.35	0.61	69.5	10.315	230/460	9
		1800	56	.33180T3E56-S	\$256	F2B	20	1.35	0.67	73.4	10.315	230/460	9
		1800	56	.33180T3H56-S	\$269	F2B	20	1.35	0.54	73.4	10.315	575	9
		1200	56	.33120T3E56-S	\$333	F2B	22	1.35	0.70	71.4	10.315	230/460	9
0.5	0.37	3600	56	.50360T3E56-S	\$258	F2B	20	1.25	0.81	73.4	10.315	230/460	9
		1800	56	.50180T3E56-S	\$296	F2B	24	1.25	0.86	78.2	10.709	230/460	9
		1800	56	.50180T3H56-S	\$311	F2B	24	1.25	0.69	78.2	10.709	575	9
		1200	56	.50120T3E56-S	\$349	F2B	25	1.25	0.93	75.3	10.709	230/460	9
0.75	0.55	3600	56	.75360T3E56-S	\$305	F2B	22	1.25	1.14	76.8	10.709	230/460	9
		1800	56	.75180T3E56-S	\$330	F2B	27	1.25	1.15	81.1	11.102	230/460	9
		1800	56	.75180T3H56-S	\$347	F2B	27	1.25	0.92	81.1	11.102	575	9
		1200	56H	.75120T3E56-S	\$384	F2B	38	1.15	1.26	81.7	12.677	230/460	9
1	0.75	3600	56	001360T3E56-S	\$355	F2B	23	1.25	1.51	77.0	10.709	230/460	9
		3600	143/5T	001360T3E143T-S	\$385	N1S	29	1.15	1.40	80.0	11.181	230/460	9
		1800	56	001180T3E56-S	\$350	F2B	30	1.15	1.57	83.5	11.495	230/460	9
		1800	143/5T	001180T3E143T-S	\$390	N1S	38	1.15	1.50	85.5	11.181	230/460	9
		1800	143/5T	001180T3H143T-S	\$390	N1S	38	1.15	1.20	85.5	11.181	575	9
		1800	143/5T	001180T3P143T-S	\$390	N1S	38	1.15	3.50	85.5	11.181	200	9
		1200	56H	001120T3E56-S	\$458	F2B	42	1.15	1.68	82.5	13.070	230/460	9
		1200	143/5T	001120T3E145T-S	\$446	N1S	38	1.15	1.70	82.5	11.181	230/460	9
1.5	1.1	1200	143/5T	001120T3H145T-S	\$446	N1S	38	1.15	1.30	82.5	11.181	575	9
		3600	56	001560T3E56-S	\$380	F2B	30	1.15	1.85	84.0	11.889	230/460	9
		3600	143/5T	001560T3E143T-S	\$442	N1S	33	1.15	1.90	84.0	11.181	230/460	9
		3600	143/5T	001560T3H143T-S	\$442	N1S	33	1.15	1.50	84.0	11.181	575	9
		1800	56H	001580T3E56-S	\$361	F2B	40	1.15	2.10	86.5	12.677	230/460	9
		1800	143/5T	001580T3E145T-S	\$449	N1S	45	1.15	2.10	86.5	12.362	230/460	9
		1800	143/5T	001580T3H145T-S	\$449	N1S	45	1.15	1.70	86.5	12.362	575	9
		1800	143/5T	001580T3P145T-S	\$449	N1S	45	1.15	4.80	86.5	12.362	200	9
2	1.5	1200	182/4T	001520T3E182T-S	\$588	N1S	63	1.15	2.30	86.5	13.976	230/460	9
		3600	56H	002360T3E56-S	\$436	F2B	38	1.15	2.42	85.5	12.677	230/460	9
		3600	143/5T	002360T3E145T-S	\$487	N1S	40	1.15	2.40	85.5	11.969	230/460	9
		3600	143/5T	002360T3H145T-S	\$487	N1S	40	1.15	1.90	85.5	11.969	575	9
		1800	56H	002180T3E56-S	\$371	F2B	40	1.15	2.69	86.5	12.677	230/460	9
		1800	143/5T	002180T3E145T-S	\$492	N1S	43	1.15	2.70	86.5	12.362	230/460	9
		1800	143/5T	002180T3H145T-S	\$492	N1S	43	1.15	2.20	86.5	12.362	575	9
		1800	143/5T	002180T3P145T-S	\$492	N1S	43	1.15	6.20	86.5	12.362	200	9
2	1.5	1200	182/4T	002120T3E184T-S	\$597	N1S	73	1.15	3.00	87.5	14.764	230/460	9
		1200	182/4T	002120T3H184T-S	\$597	N1S	73	1.15	2.40	87.5	14.764	575	9

continued on next page

Please refer to back cover for description of "NOTES"

For detailed specifications, data sheets, drawings and performance curves visit <http://www.weg.net>



## ODP Foot Mount - *continued*

Three-Phase  
General Purpose  
Motors

HP	kW	RPM	Frame	Catalog Number	List Price	Mult. Symbol	Approx. Shipping Weight (lbs)	Service Factor	FL Amps @ High	FL. Eff (%)	C Dimension (in)	Voltage (V)	Notes
3	2.2	3600	56H	003360T3E56-S	\$485	F2B	42	1.15	3.59	85.5	13.070	230/460	9
		3600	143/5T	003360T3E145T-S	\$545	N1S	43	1.15	3.60	85.5	12.362	230/460	9
		3600	143/5T	003360T3H145T-S	\$545	N1S	43	1.15	2.90	85.5	12.362	575	9
		1800	56HZ	003180T3E56Z-S	\$481	F2B	48	1.15	3.97	86.9	13.071	230/460	9
		1800	182/4T	003180T3E182T-S	\$524	N1S	73	1.15	3.90	89.5	15.157	230/460	9
		1800	182/4T	003180T3H182T-S	\$524	N1S	73	1.15	3.10	89.5	15.157	575	9
		1800	182/4T	003180T3P182T-S	\$524	N1S	73	1.15	8.90	89.5	15.157	200	9
		1800	182/4T	003180T3V182T-S	\$524	N1S	72	1.15	4.40	89.5	15.157	200/400	9
		1200	213/5T	003120T3E213T-S	\$775	N1S	113	1.15	4.20	88.5	16.575	230/460	9
		1200	213/5T	003120T3H213T-S	\$775	N1S	113	1.15	3.30	88.5	16.575	575	9
5	3.7	3600	182/4T	005360T3E182T-S	\$651	N1S	61	1.15	6.10	86.5	14.764	230/460	9
		3600	182/4T	005360T3H182T-S	\$651	N1S	61	1.15	4.90	86.5	14.764	575	9
		3600	182/4T	005360T3V182T-S	\$651	N1S	61	1.15	7.00	86.5	14.764	200/400	9
		1800	182/4T	005180T3E184T-S	\$630	N1S	88	1.15	6.30	89.5	16.339	230/460	9
		1800	182/4T	005180T3H184T-S	\$630	N1S	88	1.15	5.10	89.5	16.339	575	9
		1800	182/4T	005180T3P184T-S	\$630	N1S	88	1.15	14.6	89.5	16.339	200	9
		1800	182/4T	005180T3V184T-S	\$630	N1S	88	1.15	7.30	89.5	16.339	200/400	9
		1200	213/5T	005120T3E215T-S	\$1,057	N1S	135	1.15	6.70	89.5	16.969	230/460	9
1200	213/5T	005120T3H215T-S	\$1,057	N1S	135	1.15	5.40	89.5	16.969	575	9		
7.5	5.5	3600	182/4T	007360T3E184T-S	\$920	N1S	76	1.15	8.70	88.5	15.157	230/460	9
		3600	182/4T	007360T3H184T-S	\$920	N1S	76	1.15	6.90	88.5	15.157	575	9
		1800	213/5T	007180T3E213T-S	\$910	N1S	125	1.15	9.30	91.0	16.575	230/460	9
		1800	213/5T	007180T3H213T-S	\$910	N1S	125	1.15	7.40	91.0	16.575	575	9
		1800	213/5T	007180T3P213T-S	\$910	N1S	125	1.15	21.3	91.0	16.575	200	9
		1200	254/6T	007120T3E254T-S	\$1,467	N1S	209	1.15	10.2	90.2	20.472	230/460	9
		1200	254/6T	007120T3H254T-S	\$1,467	N1S	209	1.15	8.20	90.2	20.472	575	9
		1200	254T	007120T3E254T-W40	\$1,467	N1B	249	1.25	9.94	90.2	20.537	230/460	
10	7.5	3600	213/5T	010360T3E213T-S	\$1,081	N1S	126	1.15	12.0	89.5	16.969	230/460	9
		3600	213/5T	010360T3H213T-S	\$1,081	N1S	126	1.15	9.60	89.5	16.969	575	9
		1800	213/5T	010180T3E215T-S	\$1,102	N1S	130	1.15	12.4	91.7	16.575	230/460	9
		1800	213/5T	010180T3H215T-S	\$1,102	N1S	130	1.15	9.90	91.7	16.575	575	9
		1800	213/5T	010180T3P215T-S	\$1,102	N1S	130	1.15	28.5	91.7	16.575	200	9
		1200	254/6T	010120T3E256T-S	\$1,717	N1S	237	1.15	13.9	91.7	20.472	230/460	9
		1200	254/6T	010120T3H256T-S	\$1,717	N1S	237	1.15	11.1	91.7	20.472	575	9
		1200	254/6T	010120T3E256T-W40	\$1,717	N1B	289	1.25	12.8	91.7	22.285	230/460	
15	11	3600	213/5T	015360T3E215T-S	\$1,492	N1S	141	1.15	17.2	90.2	17.756	230/460	9
		3600	213/5T	015360T3H215T-S	\$1,492	N1S	141	1.15	13.8	90.2	17.756	575	9
		1800	254/6T	015180T3E254T-S	\$1,477	N1S	211	1.15	18.6	93.0	20.472	230/460	9
		1800	254/6T	015180T3H254T-S	\$1,477	N1S	211	1.15	14.9	93.0	20.472	575	9
		1800	254/6T	015180T3P254T-S	\$1,477	N1S	211	1.15	42.8	93.0	20.472	200	9
		1800	254/6T	015180T3V254T-S	\$1,477	N1S	211	1.15	21.4	93.0	20.472	200/400	9
		1800	254T	015180T3E254T-W40	\$1,477	N1B	284	1.25	17.5	93.0	20.537	230/460	
		1800	254T	015180T3H254T-W40	\$1,477	N1B	283	1.25	14.0	93.0	20.537	575	
		1800	254T	015180T3P254T-W40	\$1,477	N1B	283	1.25	40.3	93.0	20.537	200	
		1200	284T	015120T3E284T-W40	\$2,412	N1B	339	1.25	18.4	91.7	23.158	230/460	
1200	284T	015120T3H284T-W40	\$2,412	N1B	338	1.25	14.7	91.7	23.158	575			

*continued on next page*

Please refer to back cover for description of "NOTES"

For detailed specifications, data sheets, drawings and performance curves visit <http://www.weg.net>

Data subject to change without notice.

Can't find what you are looking for? Call 1-800-ASK-4WEG (275-4934)



## ODP Foot Mount - *continued*

HP	kW	RPM	Frame	Catalog Number	List Price	Mult. Symbol	Approx. Shipping Weight (lbs)	Service Factor	FL Amps @ High	FL. Eff (%)	C Dimension (in)	Voltage (V)	Notes
20	15	3600	254/6T	<a href="#">020360T3E254T-S</a>	<b>\$1,760</b>	N1S	187	1.15	23.8	91.0	20.472	230/460	9
		3600	254/6T	<a href="#">020360T3H254T-S</a>	<b>\$1,760</b>	N1S	187	1.15	19.0	91.0	20.472	575	9;51
		3600	254T	<a href="#">020360T3E254T-W40</a>	<b>\$1,760</b>	N1B	230	1.25	24.3	91.0	20.537	230/460	
		3600	254T	<a href="#">020360T3H254T-W40</a>	<b>\$1,760</b>	N1B	221	1.25	19.4	91.0	20.537	575	
		1800	254/6T	<a href="#">020180T3E256T-S</a>	<b>\$1,832</b>	N1S	235	1.15	25.0	93.0	20.472	230/460	9
		1800	254/6T	<a href="#">020180T3H256T-S</a>	<b>\$1,832</b>	N1S	235	1.15	20.0	93.0	20.472	575	9
		1800	254/6T	<a href="#">020180T3P256T-S</a>	<b>\$1,832</b>	N1S	235	1.15	57.5	93.0	20.472	200	9
		1800	254/6T	<a href="#">020180T3V256T-S</a>	<b>\$1,832</b>	N1S	235	1.15	28.8	93.0	20.472	200/400	9
		1800	254/6T	<a href="#">020180T3E256T-W40</a>	<b>\$1,832</b>	N1B	320	1.25	24.1	93.0	22.285	230/460	
		1800	254/6T	<a href="#">020180T3H256T-W40</a>	<b>\$1,832</b>	N1B	300	1.25	19.3	93.0	22.285	575	
		1800	254/6T	<a href="#">020180T3P256T-W40</a>	<b>\$1,832</b>	N1B	319	1.25	55.4	93.0	22.285	200	
		1200	284/6T	<a href="#">020120T3E286T-W40</a>	<b>\$3,034</b>	N1B	414	1.25	24.3	92.4	24.658	230/460	
1200	284/6T	<a href="#">020120T3H286T-W40</a>	<b>\$3,034</b>	N1B	413	1.25	19.4	92.4	24.658	575			
25	18.5	3600	254/6T	<a href="#">025360T3E256T-S</a>	<b>\$2,139</b>	N1S	202	1.15	29.1	91.7	20.472	230/460	9
		3600	254/6T	<a href="#">025360T3H256T-S</a>	<b>\$2,139</b>	N1S	202	1.15	23.3	91.7	20.472	575	9;51
		3600	254/6T	<a href="#">025360T3E256T-W40</a>	<b>\$2,139</b>	N1B	260	1.25	28.8	91.7	22.285	230/460	
		3600	254/6T	<a href="#">025360T3H256T-W40</a>	<b>\$2,139</b>	N1B	258	1.25	23.0	91.7	22.285	575	
		1800	284TS	<a href="#">025180T3E284TS-W40</a>	<b>\$2,160</b>	N1B	379	1.25	29.5	93.6	21.783	230/460	
		1800	284TS	<a href="#">025180T3H284TS-W40</a>	<b>\$2,160</b>	N1B	377	1.25	23.6	93.6	21.783	575	
		1800	284TS	<a href="#">025180T3V284TS-W40</a>	<b>\$2,160</b>	N1B	396	1.25	33.9	93.6	21.783	200/400	
		1800	284T	<a href="#">025180T3E284T-W40</a>	<b>\$2,160</b>	N1B	380	1.25	29.5	93.6	23.158	230/460	
		1800	284T	<a href="#">025180T3H284T-W40</a>	<b>\$2,160</b>	N1B	379	1.25	23.6	93.6	23.158	575	
		1800	284T	<a href="#">025180T3P284T-W40</a>	<b>\$2,160</b>	N1B	380	1.25	67.9	93.6	23.158	200	
		1200	324T	<a href="#">025120T3E324T-W40</a>	<b>\$3,519</b>	N1B	485	1.25	30.8	93.0	25.807	230/460	
30	22	3600	284TS	<a href="#">030360T3E284TS-W40</a>	<b>\$2,487</b>	N1B	332	1.25	35.0	91.7	21.783	230/460	
		3600	284TS	<a href="#">030360T3H284TS-W40</a>	<b>\$2,487</b>	N1B	330	1.25	28.0	91.7	21.783	575	
		3600	284TS	<a href="#">030360T3V284TS-W40</a>	<b>\$2,487</b>	N1B	333	1.25	40.3	91.7	21.783	200/400	
		1800	284/6TS	<a href="#">030180T3E286TS-W40</a>	<b>\$2,530</b>	N1B	425	1.25	34.9	94.1	23.283	230/460	
		1800	284/6TS	<a href="#">030180T3H286TS-W40</a>	<b>\$2,530</b>	N1B	429	1.25	27.9	94.1	23.283	575	
		1800	284/6TS	<a href="#">030180T3V286TS-W40</a>	<b>\$2,590</b>	N1B	424	1.25	40.1	94.1	23.283	200/400	
		1800	284/6T	<a href="#">030180T3E286T-W40</a>	<b>\$2,530</b>	N1B	427	1.25	34.9	94.1	24.658	230/460	
		1800	284/6T	<a href="#">030180T3H286T-W40</a>	<b>\$2,530</b>	N1B	426	1.25	27.9	94.1	24.658	575	
		1800	284/6T	<a href="#">030180T3P286T-W40</a>	<b>\$2,530</b>	N1B	427	1.25	80.3	94.1	24.658	200	
		1200	324/6T	<a href="#">030120T3E326T-W40</a>	<b>\$3,890</b>	N1B	548	1.25	36.0	93.6	27.307	230/460	
		1200	324/6T	<a href="#">030120T3H326T-W40</a>	<b>\$3,890</b>	N1B	577	1.25	28.8	93.6	27.307	575	

*continued on next page*

Please refer to back cover for description of "NOTES"

For detailed specifications, data sheets, drawings and performance curves visit <http://www.weg.net>



## ODP Foot Mount - *continued*

Three-Phase  
General Purpose  
Motors

HP	kW	RPM	Frame	Catalog Number	List Price	Mult. Symbol	Approx. Shipping Weight (lbs)	Service Factor	FL Amps @ High	FL Eff (%)	C Dimension (in)	Voltage (V)	Notes
40	30	3600	284/6TS	<a href="#">040360T3E286TS-W40</a>	\$3,308	N1B	375	1.25	46.8	92.4	23.283	230/460	
		3600	284/6TS	<a href="#">040360T3H286TS-W40</a>	\$3,308	N1B	375	1.25	37.4	92.4	23.283	575	
		3600	284/6TS	<a href="#">040360T3P286TS-W40</a>	\$3,308	N1B	393	1.25	108	92.4	23.283	200	
		3600	284/6TS	<a href="#">040360T3V286TS-W40</a>	\$3,308	N1B	390	1.25	53.8	92.4	23.283	200/400	
		1800	324TS	<a href="#">040180T3E324TS-W40</a>	\$3,095	N1B	479	1.25	47.6	94.1	24.307	230/460	
		1800	324TS	<a href="#">040180T3H324TS-W40</a>	\$3,095	N1B	547	1.25	38.1	94.1	24.307	575	
		1800	324TS	<a href="#">040180T3V324TS-W40</a>	\$3,095	N1B	506	1.25	54.7	94.1	24.307	200/400	
		1800	324T	<a href="#">040180T3E324T-W40</a>	\$3,095	N1B	481	1.25	47.6	94.1	25.807	230/460	
		1800	324T	<a href="#">040180T3H324T-W40</a>	\$3,095	N1B	475	1.25	38.1	94.1	25.807	575	
		1800	324T	<a href="#">040180T3P324T-W40</a>	\$3,095	N1B	481	1.25	110	94.1	25.807	200	
		1200	364/5T	<a href="#">040120T3E364T-W40</a>	\$5,544	N1B	855	1.25	47.1	94.1	29.725	230/460	
		1200	364/5T	<a href="#">040120T3H364T-W40</a>	\$5,544	N1B	849	1.25	37.7	94.1	29.725	575	
50	37	3600	324TS	<a href="#">050360T3E324TS-W40</a>	\$3,820	N1B	459	1.25	58.7	93.0	24.307	230/460	
		3600	324TS	<a href="#">050360T3H324TS-W40</a>	\$3,820	N1B	456	1.25	47.0	93.0	24.307	575	
		3600	324TS	<a href="#">050360T3V324TS-W40</a>	\$3,820	N1B	459	1.25	67.5	93.0	24.307	200/400	
		1800	324/6TS	<a href="#">050180T3E326TS-W40</a>	\$3,788	N1B	542	1.25	58.5	94.5	25.807	230/460	
		1800	324/6TS	<a href="#">050180T3G326TS-W40</a>	\$3,788	N1B	541	1.25	58.5	94.5	25.807	460	
		1800	324/6TS	<a href="#">050180T3H326TS-W40</a>	\$3,788	N1B	533	1.25	46.8	94.5	25.807	575	
		1800	324/6TS	<a href="#">050180T3V326TS-W40</a>	\$3,788	N1B	574	1.25	67.3	94.5	25.807	200/400	
		1800	324/6T	<a href="#">050180T3E326T-W40</a>	\$3,788	N1B	544	1.25	58.5	94.5	27.307	230/460	
		1800	324/6T	<a href="#">050180T3H326T-W40</a>	\$3,788	N1B	535	1.25	46.8	94.5	27.307	575	
		1800	324/6T	<a href="#">050180T3P326T-W40</a>	\$3,788	N1B	545	1.25	135	94.5	27.307	200	
		1200	364/5T	<a href="#">050120T3E365T-W40</a>	\$6,392	N1B	886	1.25	58.1	94.1	29.725	230/460	
		1200	364/5T	<a href="#">050120T3V365T-W40</a>	\$6,392	N1B	884	1.25	66.8	94.1	29.725	200/400	
60	45	3600	324/6TS	<a href="#">060360T3E326TS-W40</a>	\$4,581	N1B	504	1.25	71.0	93.6	25.807	230/460	
		3600	324/6TS	<a href="#">060360T3G326TS-W40</a>	\$4,581	N1B	502	1.25	71.0	93.6	25.807	460	
		3600	324/6TS	<a href="#">060360T3H326TS-W40</a>	\$4,581	N1B	501	1.25	56.8	93.6	25.807	575	
		3600	324/6TS	<a href="#">060360T3V326TS-W40</a>	\$4,581	N1B	510	1.25	81.7	93.6	25.807	200/400	
		1800	364/5TS	<a href="#">060180T3E364TS-W40</a>	\$4,443	N1B	851	1.25	69.9	95.0	27.522	230/460	
		1800	364/5TS	<a href="#">060180T3G364TS-W40</a>	\$4,443	N1B	849	1.25	69.9	95.0	27.522	460	
		1800	364/5TS	<a href="#">060180T3H364TS-W40</a>	\$4,443	N1B	847	1.25	55.9	95.0	27.522	575	
		1800	364/5TS	<a href="#">060180T3V364TS-W40</a>	\$4,443	N1B	850	1.25	80.4	95.0	27.522	200/400	51
		1800	364/5T	<a href="#">060180T3E364T-W40</a>	\$4,443	N1B	855	1.25	69.9	95.0	29.725	230/460	
		1800	364/5T	<a href="#">060180T3G364T-W40</a>	\$4,443	N1B	847	1.25	69.9	95.0	29.725	460	
		1800	364/5T	<a href="#">060180T3H364T-W40</a>	\$4,443	N1B	852	1.25	55.9	95.0	29.725	575	
		1200	404/5T	<a href="#">060120T3E404T-W40</a>	\$7,562	N1B	1045	1.25	70.3	94.5	34.100	230/460	

*continued on next page*

Please refer to back cover for description of "NOTES"

For detailed specifications, data sheets, drawings and performance curves visit <http://www.weg.net>

Data subject to change without notice.

Can't find what you are looking for? Call 1-800-ASK-4WEG (275-4934)



## ODP Foot Mount - *continued*

Three-Phase  
General Purpose  
Motors

HP	kW	RPM	Frame	Catalog Number	List Price	Mult. Symbol	Approx. Shipping Weight (lbs)	Service Factor	FL Amps @ High	FL Eff (%)	C Dimension (in)	Voltage (V)	Notes
75	55	3600	364/5TS	<a href="#">075360T3E364TS-W40</a>	\$5,799	N1B	789	1.25	84.8	93.6	27.522	230/460	
		3600	364/5TS	<a href="#">075360T3G364TS-W40</a>	\$5,799	N1B	794	1.25	84.8	93.6	27.522	460	
		3600	364/5TS	<a href="#">075360T3H364TS-W40</a>	\$5,799	N1B	794	1.25	67.8	93.6	27.522	575	
		3600	364/5TS	<a href="#">075360T3V364TS-W40</a>	\$5,799	N1B	789	1.25	97.5	93.6	27.522	200/400	
		1800	364/5TS	<a href="#">075180T3E365TS-W40</a>	\$5,658	N1B	874	1.25	85.5	95.0	27.522	230/460	
		1800	364/5TS	<a href="#">075180T3G365TS-W40</a>	\$5,658	N1B	872	1.25	85.5	95.0	27.522	460	
		1800	364/5TS	<a href="#">075180T3H365TS-W40</a>	\$5,658	N1B	872	1.25	68.4	95.0	27.522	575	
		1800	364/5TS	<a href="#">075180T3V365TS-W40</a>	\$5,658	N1B	876	1.25	98.3	95.0	27.522	200/400	
		1800	364/5T	<a href="#">075180T3E365T-W40</a>	\$5,658	N1B	879	1.25	85.5	95.0	29.725	230/460	
		1800	364/5T	<a href="#">075180T3ERB365T-W40</a>	\$6,632	N1B	875	1.25	85.5	95.0	29.725	230/460	14
		1800	364/5T	<a href="#">075180T3G365T-W40</a>	\$5,658	N1B	877	1.25	85.5	95.0	29.725	460	
		1800	364/5T	<a href="#">075180T3GRB365T-W40</a>	\$6,632	N1B	897	1.25	85.5	95.0	29.725	460	14
		1800	364/5T	<a href="#">075180T3H365T-W40</a>	\$5,658	N1B	876	1.25	68.4	95.0	29.725	575	
		1200	404/5T	<a href="#">075120T3E405T-W40</a>	\$8,358	N1B	1077	1.25	85.9	94.5	34.100	230/460	
100	75	3600	364/5TS	<a href="#">100360T3E365TS-W40</a>	\$6,644	N1B	842	1.25	116	93.6	27.522	230/460	
		3600	364/5TS	<a href="#">100360T3G365TS-W40</a>	\$6,644	N1B	840	1.25	116	93.6	27.522	460	
		3600	364/5TS	<a href="#">100360T3H365TS-W40</a>	\$6,644	N1B	836	1.25	92.8	93.6	27.522	575	
		3600	364/5TS	<a href="#">100360T3V365TS-W40</a>	\$6,644	N1B	835	1.25	133	93.6	27.522	200/400	
		1800	404/5TS	<a href="#">100180T3E404TS-W40</a>	\$7,141	N1B	1048	1.25	115	95.4	31.100	230/460	
		1800	404/5TS	<a href="#">100180T3G404TS-W40</a>	\$7,141	N1B	1043	1.25	115	95.4	31.100	460	
		1800	404/5TS	<a href="#">100180T3V404TS-W40</a>	\$7,141	N1B	1049	1.25	132	95.4	31.100	200/400	
		1800	404/5T	<a href="#">100180T3E404T-W40</a>	\$7,141	N1B	1064	1.25	115	95.4	34.100	230/460	
		1800	404/5T	<a href="#">100180T3ERB404T-W40</a>	\$7,141	N1B	1086	1.25	115	95.4	34.100	230/460	14
		1800	404/5T	<a href="#">100180T3G404T-W40</a>	\$7,141	N1B	1059	1.25	115	95.4	34.100	460	
		1800	404/5T	<a href="#">100180T3GRB404T-W40</a>	\$7,141	N1B	1081	1.25	115	95.4	34.100	460	14
		1800	404/5T	<a href="#">100180T3H404T-W40</a>	\$7,141	N1B	1059	1.25	92.0	95.4	34.100	575	
		1200	444/5T	<a href="#">100120T3E444T-W40</a>	\$11,863	N1B	1497	1.25	127	95.0	38.108	230/460	
		1200	444/5T	<a href="#">100120T3G444T-W40</a>	\$11,863	N1B	1490	1.25	127	95.0	38.108	460	
125	90	3600	404/5TS	<a href="#">125360T3E404TS-W40</a>	\$8,826	N1B	975	1.25	136	94.1	31.100	230/460	
		3600	404/5TS	<a href="#">125360T3G404TS-W40</a>	\$8,826	N1B	971	1.25	136	94.1	31.100	460	
		3600	404/5TS	<a href="#">125360T3H404TS-W40</a>	\$8,826	N1B	969	1.25	109	94.1	31.100	575	
		1800	404/5TS	<a href="#">125180T3E405TS-W40</a>	\$7,981	N1B	1123	1.25	138	95.4	31.100	230/460	
		1800	404/5TS	<a href="#">125180T3G405TS-W40</a>	\$7,981	N1B	1119	1.25	138	95.4	31.100	460	
		1800	404/5T	<a href="#">125180T3E405T-W40</a>	\$7,981	N1B	1139	1.25	138	95.4	34.100	230/460	
		1800	404/5T	<a href="#">125180T3ERB405T-W40</a>	\$7,981	N1B	1161	1.25	138	95.4	34.100	230/460	14
		1800	404/5T	<a href="#">125180T3G405T-W40</a>	\$7,981	N1B	1135	1.25	138	95.4	34.100	460	
		1800	404/5T	<a href="#">125180T3GRB405T-W40</a>	\$7,981	N1B	1157	1.25	138	95.4	34.100	460	14
		1800	404/5T	<a href="#">125180T3H405T-W40</a>	\$7,981	N1B	1134	1.25	110	95.4	34.100	575	
		1200	444/5T	<a href="#">125120T3G445T-W40</a>	\$12,753	N1B	1544	1.25	154	95.0	38.108	460	
150	110	3600	404/5TS	<a href="#">150360T3G405TS-W40</a>	\$11,416	N1B	988	1.25	167	94.1	31.100	460	
		3600	404/5TS	<a href="#">150360T3H405TS-W40</a>	\$11,416	N1B	987	1.25	134	94.1	31.100	575	
		1800	444/5TS	<a href="#">150180T3G444TS-W40</a>	\$10,668	N1B	1474	1.25	170	95.8	34.358	460	
		1800	444/5T	<a href="#">150180T3G444T-W40</a>	\$10,668	N1B	1530	1.25	170	95.8	38.108	460	
		1800	444/5T	<a href="#">150180T3GRB444T-W40</a>	\$10,668	N1B	1541	1.25	170	95.8	38.108	460	14
		1800	444/5T	<a href="#">150180T3H444T-W40</a>	\$10,668	N1B	1526	1.25	136	95.8	38.108	575	
		1200	444/5T	<a href="#">150120T3G445T-W40</a>	\$13,615	N1B	1686	1.25	183	95.4	38.108	460	

*continued on next page*

Please refer to back cover for description of "NOTES"

For detailed specifications, data sheets, drawings and performance curves visit <http://www.weg.net>



## ODP Foot Mount - continued

Three-Phase  
General Purpose  
Motors

HP	kW	RPM	Frame	Catalog Number	List Price	Mult. Symbol	Approx. Shipping Weight (lbs)	Service Factor	FL Amps @ High	FL Eff (%)	C Dimension (in)	Voltage (V)	Notes
200	150	3600	444/5TS	<a href="#">200360T3G444TS-W40</a>	<b>\$14,504</b>	N1B	1414	1.15	225	95.0	34.358	460	
		3600	444/5TS	<a href="#">200360T3H444TS-W40</a>	<b>\$14,504</b>	N1B	1413	1.15	180	95.0	34.358	575	
		1800	444/5TS	<a href="#">200180T3G445TS-W40</a>	<b>\$13,004</b>	N1B	1548	1.15	234	95.8	34.358	460	
		1800	444/5T	<a href="#">200180T3G445T-W40</a>	<b>\$13,004</b>	N1B	1604	1.15	234	95.8	38.108	460	
		1800	444/5T	<a href="#">200180T3GRB445T-W40</a>	<b>\$13,004</b>	N1B	1615	1.15	234	95.8	38.108	460	14
		1200	447/9T	<a href="#">200120T3G447/9T-W40</a>	<b>\$23,380</b>	N1B	2214	1.15	241	95.4	48.317	460	37
250	185	3600	444/5TS	<a href="#">250360T3G445TS-W40</a>	<b>\$18,983</b>	N1B	1527	1.15	278	95.0	34.358	460	
		3600	444/5TS	<a href="#">250360T3H445TS-W40</a>	<b>\$18,983</b>	N1B	1522	1.15	222	95.0	34.358	575	
		1800	444/5TS	<a href="#">250180T3G445TS-W40</a>	<b>\$15,513</b>	N1B	1623	1.15	289	95.8	34.358	460	
		1800	444/5T	<a href="#">250180T3G445T-W40</a>	<b>\$15,513</b>	N1B	1679	1.15	289	95.8	38.108	460	
		1800	444/5T	<a href="#">250180T3GRB445T-W40</a>	<b>\$15,513</b>	N1B	1691	1.15	289	95.8	38.108	460	14
		1800	444/5T	<a href="#">250180T3H445T-W40</a>	<b>\$15,513</b>	N1B	1680	1.15	231	95.8	38.108	575	51
		1200	447/9T	<a href="#">250120T3G447/9T-W40</a>	<b>\$27,249</b>	N1B	2379	1.15	299	95.8	48.317	460	37
300	220	3600	444/5TS	<a href="#">300360T3G445TS-W40</a>	<b>\$22,294</b>	N1B	1593	1.15	329	95.4	34.358	460	
		1800	447/9TS	<a href="#">300180T3G447/9TS-W40</a>	<b>\$24,878</b>	N1B	2083	1.15	324	95.8	42.959	460	
		1800	447/9T	<a href="#">300180T3G447/9T-W40</a>	<b>\$24,878</b>	N1B	2127	1.15	324	95.8	48.317	460	
		1200	447/9T	<a href="#">300120T3G447/9T-W40</a>	<b>\$29,853</b>	N1B	2809	1.15	366	95.4	48.317	460	37
350	260	3600	447/9TS	<a href="#">350360T3G447/9TS-W40</a>	<b>\$25,055</b>	N1B	2108	1.15	384	95.4	42.959	460	37
		1800	447/9TS	<a href="#">350180T3G447/9TS-W40</a>	<b>\$25,174</b>	N1B	2244	1.15	396	95.8	42.959	460	
		1800	447/9T	<a href="#">350180T3G447/9T-W40</a>	<b>\$25,174</b>	N1B	2319	1.15	396	95.8	48.317	460	
400	300	3600	447/9TS	<a href="#">400360T3G447/9TS-W40</a>	<b>\$26,678</b>	N1B	2189	1.15	442	95.8	42.959	460	37
		1800	447/9TS	<a href="#">400180T3G447/9TS-W40</a>	<b>\$28,311</b>	N1B	2454	1.15	452	95.8	42.959	460	
		1800	447/9T	<a href="#">400180T3G447/9T-W40</a>	<b>\$28,311</b>	N1B	2509	1.15	452	95.8	48.317	460	
450	330	3600	447/9TS	<a href="#">450360T3G447/9TS-W40</a>	<b>\$28,239</b>	N1B	2294	1.15	478	96.2	42.959	460	37
500	370	3600	447/9TS	<a href="#">500360T3G447/9TS-W40</a>	<b>\$31,476</b>	N1B	2377	1.15	536	96.2	42.959	460	37
550	400	3600	447/9TS	<a href="#">550360T3G447/9TS-W40</a>	<b>\$32,629</b>	N1B	2452	1.15	580	96.2	42.959	460	37
600	440	3600	447/9TS	<a href="#">600360T3G447/9TS-W40</a>	<b>\$32,994</b>	N1B	2540	1.15	638	96.2	42.959	460	37
700	515	3600	5010/11S	<a href="#">700360T3Q5010S-W40</a>	<b>\$42,603</b>	N1B	3684	1.15	764	96.2	56.000	460	37,43,51
800	595	3600	5010/11S	<a href="#">800360T3Q5010S-W40</a>	<b>\$45,039</b>	N1B	3528	1.15	885	96.2	56.000	460	37,43,51

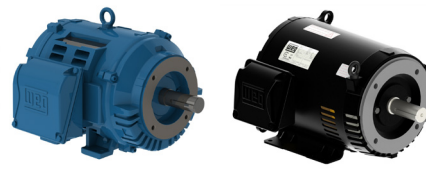
Please refer to back cover for description of "NOTES"

For detailed specifications, data sheets, drawings and performance curves visit <http://www.weg.net>

Data subject to change without notice.

Can't find what you are looking for? Call 1-800-ASK-4WEG (275-4934)

# Three-Phase General Purpose Motors



## ODP - C-Face - Foot Mount

Three-Phase General Purpose Motors

HP	kW	RPM	Frame	Catalog Number	List Price	Mult. Symbol	Approx. Shipping Weight (lbs)	Service Factor	FL Amps @ High	FL Eff (%)	"C" Dimension (in)	Voltage (V)	Notes
0.25	0.18	3600	56C	<a href="#">.25360T3E56C-S</a>	\$259	F2B	19	1.35	0.46	65.6	10.315	230/460	9
		1800	56C	<a href="#">.25180T3E56C-S</a>	\$263	F2B	19	1.35	0.53	69.5	9.921	230/460	9
		1200	56C	<a href="#">.25120T3E56C-S</a>	\$316	F2B	21	1.35	0.55	67.5	10.315	230/460	9;51
0.33	0.25	3600	56C	<a href="#">.33360T3E56C-S</a>	\$270	F2B	19	1.35	0.61	69.5	10.315	230/460	9
		1800	56C	<a href="#">.33180T3E56C-S</a>	\$284	F2B	20	1.35	0.67	73.4	10.315	230/460	9
		1200	56C	<a href="#">.33120T3E56C-S</a>	\$361	F2B	22	1.35	0.70	71.4	10.315	230/460	9
0.5	0.37	3600	56C	<a href="#">.50360T3E56C-S</a>	\$286	F2B	20	1.25	0.81	73.4	10.315	230/460	9
		1800	56C	<a href="#">.50180T3E56C-S</a>	\$324	F2B	24	1.25	0.86	78.2	10.709	230/460	9
		1200	56C	<a href="#">.50120T3E56C-S</a>	\$377	F2B	25	1.25	0.93	75.3	10.709	230/460	9
0.75	0.55	3600	56C	<a href="#">.75360T3E56C-S</a>	\$333	F2B	22	1.25	1.14	76.8	10.709	230/460	9
		1800	56C	<a href="#">.75180T3E56C-S</a>	\$358	F2B	27	1.25	1.15	81.1	11.102	230/460	9
		1800	56C	<a href="#">.75180T3H56C-S</a>	\$358	F2B	27	1.25	0.92	81.1	11.102	575	9
		1200	56HC	<a href="#">.75120T3E56C-S</a>	\$412	F2B	38	1.15	1.26	81.7	12.677	230/460	9
1	0.75	3600	56C	<a href="#">001360T3E56C-S</a>	\$383	F2B	23	1.25	1.51	77.0	10.709	230/460	9
		1800	56C	<a href="#">001180T3E56C-S</a>	\$378	F2B	30	1.15	1.57	83.5	11.495	230/460	9
		1800	143/5TC	<a href="#">001180T3E143TC-S</a>	\$424	N1S	38	1.15	1.50	85.5	11.181	230/460	9
		1800	143/5TC	<a href="#">001180T3H143TC-S</a>	\$424	N1S	38	1.15	1.20	85.5	11.181	575	9
		1800	143/5TC	<a href="#">001180T3P143TC-S</a>	\$424	N1S	38	1.15	3.50	85.5	11.181	200	9
		1200	56HC	<a href="#">001120T3E56C-S</a>	\$486	F2B	42	1.15	1.68	82.5	13.070	230/460	9
1.5	1.1	3600	56C	<a href="#">001560T3E56C-S</a>	\$408	F2B	30	1.15	1.85	84.0	11.889	230/460	9
		3600	143/5TC	<a href="#">001560T3E143TC-S</a>	\$476	N1S	33	1.15	1.90	84.0	11.181	230/460	9
		3600	143/5TC	<a href="#">001560T3H143TC-S</a>	\$476	N1S	33	1.15	1.50	84.0	11.181	575	9
		1800	56HC	<a href="#">001580T3E56C-S</a>	\$389	F2B	40	1.15	2.10	86.5	12.677	230/460	9
		1800	143/5TC	<a href="#">001580T3E145TC-S</a>	\$483	N1S	45	1.15	2.10	86.5	12.362	230/460	9
		1800	143/5TC	<a href="#">001580T3H145TC-S</a>	\$483	N1S	45	1.15	1.70	86.5	12.362	575	9
		1800	143/5TC	<a href="#">001580T3P145TC-S</a>	\$483	N1S	45	1.15	4.80	86.5	12.362	200	9
2	1.5	3600	56HC	<a href="#">002360T3E56C-S</a>	\$464	F2B	38	1.15	2.42	85.5	12.677	230/460	9
		3600	143/5TC	<a href="#">002360T3E145TC-S</a>	\$521	N1S	40	1.15	2.40	85.5	11.969	230/460	9
		3600	143/5TC	<a href="#">002360T3H145TC-S</a>	\$521	N1S	40	1.15	1.90	85.5	11.969	575	9;51
		1800	56HC	<a href="#">002180T3E56C-S</a>	\$399	F2B	40	1.15	2.69	86.5	12.677	230/460	9
		1800	143/5TC	<a href="#">002180T3E145TC-S</a>	\$526	N1S	43	1.15	2.70	86.5	12.362	230/460	9
		1800	143/5TC	<a href="#">002180T3H145TC-S</a>	\$526	N1S	43	1.15	2.20	86.5	12.362	575	9
		1800	143/5TC	<a href="#">002180T3V145TC-S</a>	\$526	N1S	43	1.15	3.10	86.5	12.362	200/400	9
		1200	182/4TC	<a href="#">002120T3E184TC-S</a>	\$635	N1S	73	1.15	3.00	87.5	14.764	230/460	9
		1200	182/4TC	<a href="#">002120T3H184TC-S</a>	\$635	N1S	73	1.15	2.40	87.5	14.764	575	9
		3	2.2	3600	56HC	<a href="#">003360T3E56C-S</a>	\$513	F2B	42	1.15	3.59	85.5	13.070
3600	143/5TC			<a href="#">003360T3E145TC-S</a>	\$579	N1S	43	1.15	3.60	85.5	12.362	230/460	9
3600	143/5TC			<a href="#">003360T3H145TC-S</a>	\$579	N1S	43	1.15	2.90	85.5	12.362	575	9
3600	143/5TC			<a href="#">003360T3V145TC-S</a>	\$579	N1S	43	1.15	4.10	85.5	12.362	200/400	9
1800	182/4TC			<a href="#">003180T3E182TC-S</a>	\$562	N1S	73	1.15	3.90	89.5	15.157	230/460	9
1800	182/4TC			<a href="#">003180T3H182TC-S</a>	\$562	N1S	82	1.15	3.10	89.5	15.157	575	9
1800	182/4TC			<a href="#">003180T3V182TC-S</a>	\$562	N1S	82	1.15	4.40	89.5	15.157	200/400	9
1200	213/5TC			<a href="#">003120T3E213TC-S</a>	\$826	N1S	113	1.15	4.20	88.5	16.575	230/460	9
1200	213/5TC	<a href="#">003120T3H213TC-S</a>	\$826	N1S	113	1.15	3.30	88.5	16.575	575	9		

*continued on next page*

Please refer to back cover for description of "NOTES"

For detailed specifications, data sheets, drawings and performance curves visit <http://www.weg.net>





## ODP - C-Face - Foot Mount - continued

HP	kW	RPM	Frame	Catalog Number	List Price	Mult. Symbol	Approx. Shipping Weight (lbs)	Service Factor	FL Amps @ High	FL. Eff (%)	"C" Dimension (in)	Voltage (V)	Notes
5	3.7	3600	182/4TC	<a href="#">005360T3E182TC-S</a>	\$689	N1S	61	1.15	6.10	86.5	14.764	230/460	9
		3600	182/4TC	<a href="#">005360T3H182TC-S</a>	\$689	N1S	61	1.15	4.90	86.5	14.764	575	9
		3600	182/4TC	<a href="#">005360T3V182TC-S</a>	\$689	N1S	61	1.15	7.00	86.5	14.764	200/400	9
		1800	182/4TC	<a href="#">005180T3E184TC-S</a>	\$668	N1S	88	1.15	6.30	89.5	16.339	230/460	9
		1800	182/4TC	<a href="#">005180T3H184TC-S</a>	\$668	N1S	97	1.15	5.10	89.5	16.339	575	9
		1800	182/4TC	<a href="#">005180T3V184TC-S</a>	\$668	N1S	97	1.15	7.30	89.5	16.339	200/400	9
		1200	213/5TC	<a href="#">005120T3E215TC-S</a>	\$1,108	N1S	135	1.15	6.70	89.5	16.969	230/460	9
		1200	213/5TC	<a href="#">005120T3H215TC-S</a>	\$1,108	N1S	135	1.15	5.40	89.5	16.969	575	9
7.5	5.5	3600	182/4TC	<a href="#">007360T3E184TC-S</a>	\$958	N1S	76	1.15	8.70	88.5	15.157	230/460	9
		3600	182/4TC	<a href="#">007360T3H184TC-S</a>	\$958	N1S	76	1.15	6.90	88.5	15.157	575	9
		1800	213/5TC	<a href="#">007180T3E213TC-S</a>	\$961	N1S	125	1.15	9.30	91.0	16.575	230/460	9
		1800	213/5TC	<a href="#">007180T3H213TC-S</a>	\$961	N1S	125	1.15	7.40	91.0	16.575	575	9
		1800	213/5TC	<a href="#">007180T3V213TC-S</a>	\$961	N1S	125	1.15	10.6	91.0	16.575	200/400	9
		1200	254/6TC	<a href="#">007120T3E254TC-S</a>	\$1,535	N1S	209	1.15	10.2	90.2	20.472	230/460	9
		1200	254/6TC	<a href="#">007120T3H254TC-S</a>	\$1,535	N1S	209	1.15	8.20	90.2	20.472	575	9
		1200	254TC	<a href="#">007120T3E254TC-W40</a>	\$1,535	N1B	247	1.25	9.94	90.2	21.037	230/460	
1200	254TC	<a href="#">007120T3H254TC-W40</a>	\$1,535	N1B	255	1.25	7.95	90.2	21.037	575			
10	7.5	3600	213/5TC	<a href="#">010360T3E213TC-S</a>	\$1,132	N1S	126	1.15	12.0	89.5	16.969	230/460	9
		3600	213/5TC	<a href="#">010360T3H213TC-S</a>	\$1,132	N1S	126	1.15	9.60	89.5	16.969	575	9
		3600	213/5TC	<a href="#">010360T3V213TC-S</a>	\$1,132	N1S	126	1.15	13.8	89.5	16.969	200/400	9
		1800	213/5TC	<a href="#">010180T3E215TC-S</a>	\$1,153	N1S	130	1.15	12.4	91.7	16.575	230/460	9
		1800	213/5TC	<a href="#">010180T3H215TC-S</a>	\$1,153	N1S	130	1.15	9.90	91.7	16.575	575	9
		1800	213/5TC	<a href="#">010180T3V215TC-S</a>	\$1,153	N1S	130	1.15	14.3	91.7	16.575	200/400	9
		1200	254/6TC	<a href="#">010120T3E256TC-S</a>	\$1,785	N1S	237	1.15	13.9	91.7	20.472	230/460	9
		1200	254/6TC	<a href="#">010120T3H256TC-S</a>	\$1,785	N1S	237	1.15	11.1	91.7	20.472	575	9
		1200	254/6TC	<a href="#">010120T3E256TC-W40</a>	\$1,785	N1B	282	1.25	12.8	91.7	22.785	230/460	
1200	254/6TC	<a href="#">010120T3H256TC-W40</a>	\$1,785	N1B	276	1.25	10.2	91.7	22.785	575			
15	11	3600	213/5TC	<a href="#">015360T3E215TC-S</a>	\$1,543	N1S	141	1.15	17.2	90.2	17.756	230/460	9
		3600	213/5TC	<a href="#">015360T3H215TC-S</a>	\$1,543	N1S	141	1.15	13.8	90.2	17.756	575	9
		3600	213/5TC	<a href="#">015360T3V215TC-S</a>	\$1,543	N1S	141	1.15	19.8	90.2	17.756	200/400	9
		1800	254/6TC	<a href="#">015180T3E254TC-S</a>	\$1,545	N1S	211	1.15	18.6	93.0	20.472	230/460	9
		1800	254/6TC	<a href="#">015180T3H254TC-S</a>	\$1,545	N1S	211	1.15	14.9	93.0	20.472	575	9
		1800	254/6TC	<a href="#">015180T3V254TC-S</a>	\$1,545	N1S	211	1.15	21.4	93.0	20.472	200/400	9
		1800	254TC	<a href="#">015180T3E254TC-W40</a>	\$1,545	N1B	290	1.25	17.5	93.0	21.037	230/460	
		1800	254TC	<a href="#">015180T3H254TC-W40</a>	\$1,545	N1B	289	1.25	14.0	93.0	21.037	575	
		1800	254TC	<a href="#">015180T3V254TC-W40</a>	\$1,545	N1B	264	1.25	20.1	93.0	21.037	200/400	
		1200	284TC	<a href="#">015120T3E284TC-W40</a>	\$2,497	N1B	346	1.25	18.4	91.7	23.158	230/460	
1200	284TC	<a href="#">015120T3H284TC-W40</a>	\$2,497	N1B	346	1.25	14.0	93.0	23.158	575			

continued on next page

Three-Phase General Purpose Motors

Please refer to back cover for description of "NOTES"

For detailed specifications, data sheets, drawings and performance curves visit <http://www.weg.net>

Data subject to change without notice.

Can't find what you are looking for? Call 1-800-ASK-4WEG (275-4934)



## ODP - C-Face - Foot Mount - *continued*

Three-Phase  
General Purpose  
Motors

HP	kW	RPM	Frame	Catalog Number	List Price	Mult. Symbol	Approx. Shipping Weight (lbs)	Service Factor	FL Amps @ High	FL Eff (%)	"C" Dimension (in)	Voltage (V)	Notes
20	15	3600	254/6TC	<a href="#">020360T3E254TC-S</a>	\$1,828	N1S	187	1.15	23.8	91.0	20.472	230/460	9
		3600	254/6TC	<a href="#">020360T3H254TC-S</a>	\$1,828	N1S	187	1.15	19.0	91.0	20.472	575	9
		3600	254TC	<a href="#">020360T3E254TC-W40</a>	\$1,828	N1B	221	1.25	24.3	91.0	21.037	230/460	
		3600	254TC	<a href="#">020360T3H254TC-W40</a>	\$1,828	N1B	221	1.25	19.4	91.0	21.037	575	
		1800	254/6TC	<a href="#">020180T3E256TC-S</a>	\$1,900	N1S	235	1.15	25.0	93.0	20.472	230/460	9
		1800	254/6TC	<a href="#">020180T3H256TC-S</a>	\$1,900	N1S	235	1.15	20.0	93.0	20.472	575	9
		1800	254/6TC	<a href="#">020180T3V256TC-S</a>	\$1,900	N1S	235	1.15	28.8	93.0	20.472	200/400	9
		1800	254/6TC	<a href="#">020180T3E256TC-W40</a>	\$1,900	N1B	326	1.25	24.1	93.0	22.785	230/460	
		1800	254/6TC	<a href="#">020180T3H256TC-W40</a>	\$1,900	N1B	300	1.25	19.3	93.0	22.785	575	
		1800	254/6TC	<a href="#">020180T3V256TC-W40</a>	\$1,900	N1B	301	1.25	27.7	93.0	22.785	200/400	
		1200	284/6TC	<a href="#">020120T3E286TC-W40</a>	\$3,119	N1B	422	1.25	24.3	92.4	24.658	230/460	
		1200	284/6TC	<a href="#">020120T3H286TC-W40</a>	\$3,119	N1B	421	1.25	19.4	92.4	24.658	575	
25	18.5	3600	254/6TC	<a href="#">025360T3E256TC-S</a>	\$2,207	N1S	202	1.15	29.1	91.7	20.472	230/460	9
		3600	254/6TC	<a href="#">025360T3H256TC-S</a>	\$2,207	N1S	202	1.15	23.3	91.7	20.472	575	9
		3600	254/6TC	<a href="#">025360T3E256TC-W40</a>	\$2,207	N1B	266	1.25	28.8	91.7	22.785	230/460	
		3600	254/6TC	<a href="#">025360T3H256TC-W40</a>	\$2,207	N1B	262	1.25	23.0	91.7	22.785	575	
		1800	284TC	<a href="#">025180T3E284TC-W40</a>	\$2,245	N1B	388	1.25	29.5	93.6	23.158	230/460	
		1800	284TC	<a href="#">025180T3H284TC-W40</a>	\$2,245	N1B	387	1.25	23.6	93.6	23.158	575	
		1800	284TC	<a href="#">025180T3V284TC-W40</a>	\$2,245	N1B	387	1.25	33.9	93.6	23.158	200/400	
		1200	324TC	<a href="#">025120T3E324TC-W40</a>	\$3,619	N1B	501	1.25	30.8	93.0	25.807	230/460	
30	22	3600	284TSC	<a href="#">030360T3E284TSC-W40</a>	\$2,572	N1B	339	1.25	35.0	91.7	21.783	230/460	
		3600	284TSC	<a href="#">030360T3H284TSC-W40</a>	\$2,572	N1B	338	1.25	28.0	91.7	21.783	575	
		3600	284TSC	<a href="#">030360T3V284TSC-W40</a>	\$2,572	N1B	340	1.25	40.3	91.7	21.783	200/400	
		1800	284/6TC	<a href="#">030180T3E286TC-W40</a>	\$2,615	N1B	434	1.25	34.9	94.1	24.658	230/460	
		1800	284/6TC	<a href="#">030180T3H286TC-W40</a>	\$2,615	N1B	434	1.25	27.9	94.1	24.658	575	
		1800	284/6TC	<a href="#">030180T3V286TC-W40</a>	\$2,615	N1B	434	1.25	40.1	94.1	24.658	200/400	
		1200	324/6TC	<a href="#">030120T3E326TC-W40</a>	\$3,990	N1B	564	1.25	36.0	93.6	27.307	230/460	
40	30	3600	284/6TSC	<a href="#">040360T3E286TSC-W40</a>	\$3,393	N1B	383	1.25	46.8	92.4	23.283	230/460	
		3600	284/6TSC	<a href="#">040360T3H286TSC-W40</a>	\$3,393	N1B	396	1.25	37.4	92.4	23.283	575	
		1800	324TSC	<a href="#">040180T3E324TSC-W40</a>	\$3,195	N1B	573	1.25	47.6	94.1	24.307	230/460	
		1800	324TC	<a href="#">040180T3E324TC-W40</a>	\$3,195	N1B	497	1.25	47.6	94.1	25.807	230/460	
		1800	324TC	<a href="#">040180T3H324TC-W40</a>	\$3,195	N1B	489	1.25	38.1	94.1	25.807	575	
		1200	364/5TC	<a href="#">040120T3E364TC-W40</a>	\$5,938	N1B	881	1.25	47.1	94.1	29.725	230/460	
50	37	3600	324TSC	<a href="#">050360T3H324TSC*</a>	\$3,920	N1B	521	1.15	47.3	93.0	24.685	575	
		3600	324TSC	<a href="#">050360T3E324TSC-W40</a>	\$3,920	N1B	474	1.25	58.7	93.0	24.307	230/460	
		3600	324TSC	<a href="#">050360T3H324TSC-W40</a>	\$3,920	N1B	471	1.25	47.0	93.0	24.307	575	
		1800	324/6TSC	<a href="#">050180T3E326TSC-W40</a>	\$3,888	N1B	557	1.25	58.5	94.5	25.807	230/460	
		1800	324/6TC	<a href="#">050180T3E326TC-W40</a>	\$3,888	N1B	560	1.25	58.5	94.5	27.307	230/460	
		1800	324/6TC	<a href="#">050180T3H326TC-W40</a>	\$3,888	N1B	551	1.25	46.8	94.5	27.307	575	
		1200	364/5TC	<a href="#">050120T3E365TC-W40</a>	\$6,786	N1B	912	1.25	58.1	94.1	29.725	230/460	
60	45	3600	324/6TSC	<a href="#">060360T3E326TSC-W40</a>	\$4,681	N1B	520	1.25	71.0	93.6	25.807	230/460	
		1800	364/5TC	<a href="#">060180T3E364TC-W40</a>	\$4,837	N1B	881	1.25	69.9	95.0	29.725	230/460	
		1800	364/5TC	<a href="#">060180T3H364TC-W40</a>	\$4,837	N1B	878	1.25	55.9	95.0	29.725	575	

*continued on next page*

Please refer to back cover for description of "NOTES"

For detailed specifications, data sheets, drawings and performance curves visit <http://www.weg.net>



## ODP - C-Face - Foot Mount - continued

HP	kW	RPM	Frame	Catalog Number	List Price	Mult. Symbol	Approx. Shipping Weight (lbs)	Service Factor	FL Amps @ High	FL. Eff (%)	"C" Dimension (in)	Voltage (V)	Notes
75	55	3600	364/5TSC	<a href="#">075360T3E364TSC-W40</a>	<b>\$6,193</b>	N1B	816	1.25	84.8	93.6	27.600	230/460	
		1800	364/5TC	<a href="#">075180T3E365TC-W40</a>	<b>\$6,052</b>	N1B	905	1.25	85.5	95.0	29.725	230/460	
		1800	364/5TC	<a href="#">075180T3H365TC-W40</a>	<b>\$6,052</b>	N1B	902	1.25	68.4	95.0	29.725	575	
100	75	1800	404/5TSC	<a href="#">100180T3E404TSC-W40</a>	<b>\$7,587</b>	N1B	1074	1.25	115	95.4	31.100	230/460	
		1800	404/5TSC	<a href="#">100180T3H404TSC-W40</a>	<b>\$7,587</b>	N1B	1069	1.25	92.0	95.4	31.100	575	
		1800	404/5TC	<a href="#">100180T3E404TC-W40</a>	<b>\$7,587</b>	N1B	1088	1.25	115	95.4	34.100	230/460	
		1800	404/5TC	<a href="#">100180T3H404TC-W40</a>	<b>\$7,587</b>	N1B	1083	1.25	92.0	95.4	34.100	575	
125	90	1800	404/5TSC	<a href="#">125180T3E405TSC-W40</a>	<b>\$8,427</b>	N1B	1150	1.25	138	95.4	31.100	230/460	
		1800	404/5TSC	<a href="#">125180T3G405TSC-W40</a>	<b>\$8,427</b>	N1B	1145	1.25	138	95.4	31.100	460	
		1800	404/5TC	<a href="#">125180T3E405TC-W40</a>	<b>\$8,427</b>	N1B	1164	1.25	138	95.4	34.100	230/460	
		1800	404/5TC	<a href="#">125180T3G405TC-W40</a>	<b>\$8,427</b>	N1B	1159	1.25	138	95.4	34.100	460	
		1800	404/5TC	<a href="#">125180T3H405TC-W40</a>	<b>\$8,427</b>	N1B	1158	1.25	110	95.4	34.100	575	
150	110	3600	404/5TSC	<a href="#">150360T3G405TSC-W40</a>	<b>\$11,862</b>	N1B	1014	1.25	167	94.1	31.100	460	
		1800	444/5TSC	<a href="#">150180T3G444TSC-W40</a>	<b>\$11,228</b>	N1B	1522	1.25	170	95.8	34.358	460	
		1800	444/5TC	<a href="#">150180T3G444TC-W40</a>	<b>\$11,228</b>	N1B	1583	1.25	170	95.8	38.325	460	
		1800	444/5TC	<a href="#">150180T3H444TC-W40</a>	<b>\$11,228</b>	N1B	1582	1.25	136	95.8	38.325	575	
200	150	3600	444/5TSC	<a href="#">200360T3G444TSC-W40</a>	<b>\$15,064</b>	N1B	1463	1.15	225	95.0	34.358	460	
		1800	444/5TC	<a href="#">200180T3G445TC-W40</a>	<b>\$13,564</b>	N1B	1657	1.15	234	95.8	38.325	460	
250	185	3600	444/5TSC	<a href="#">250360T3G445TSC-W40</a>	<b>\$19,543</b>	N1B	1575	1.15	278	95.0	34.358	460	
		1800	444/5TC	<a href="#">250180T3G445TC-W40</a>	<b>\$16,073</b>	N1B	1733	1.15	289	95.8	38.325	460	

\* To be discontinued and replaced by W40 model once inventory is depleted.

Please refer to back cover for description of "NOTES"

For detailed specifications, data sheets, drawings and performance curves visit <http://www.weg.net>

Data subject to change without notice.

Can't find what you are looking for? Call 1-800-ASK-4WEG (275-4934)

# Three-Phase General Purpose Motors



## ODP - C-Face - Footless

Three-Phase  
General Purpose  
Motors

HP	kW	RPM	Frame	Catalog Number	List Price	Mult. Symbol	Approx. Shipping Weight (lbs)	Service Factor	FL Amps @ High	FL Eff (%)	"C" Dimension (in)	Voltage (V)	Notes
0.25	0.18	1800	56C	<a href="#">.25180T3E56CFL-S</a>	\$263	F2B	19	1.35	0.53	66.0	9.921	230/460	9,20
		1800	56C	<a href="#">.25180T3H56CFL-S</a>	\$263	F2B	19	1.35	0.42	69.5	9.921	575	9,20
0.33	0.25	3600	56C	<a href="#">.33360T3E56CFL-S</a>	\$270	F2B	19	1.35	0.61	69.5	10.315	230/460	9,20
		1800	56C	<a href="#">.33180T3E56CFL-S</a>	\$284	F2B	20	1.35	0.67	73.4	10.315	230/460	9,20
		1800	56C	<a href="#">.33180T3H56CFL-S</a>	\$284	F2B	20	1.35	0.54	73.4	10.315	575	9,20
0.5	0.37	3600	56C	<a href="#">.50360T3E56CFL-S</a>	\$286	F2B	20	1.25	0.81	73.4	10.315	230/460	9,20
		1800	56C	<a href="#">.50180T3E56CFL-S</a>	\$324	F2B	24	1.25	0.86	78.2	10.709	230/460	9,20
		1800	56C	<a href="#">.50180T3H56CFL-S</a>	\$324	F2B	24	1.25	0.69	78.2	10.709	575	9,20
0.75	0.55	3600	56C	<a href="#">.75360T3E56CFL-S</a>	\$333	F2B	22	1.25	1.14	76.8	10.709	230/460	9,20
		1800	56C	<a href="#">.75180T3E56CFL-S</a>	\$358	F2B	27	1.25	1.15	81.1	11.102	230/460	9,20
		1800	56C	<a href="#">.75180T3H56CFL-S</a>	\$358	F2B	27	1.25	0.92	81.1	11.102	575	9,20
1	0.75	3600	56C	<a href="#">001360T3E56CFL-S</a>	\$383	F2B	23	1.25	1.51	77.0	10.709	230/460	9,20
		1800	56C	<a href="#">001180T3E56CFL-S</a>	\$378	F2B	30	1.15	1.57	83.5	11.495	230/460	9,20
		1800	56C	<a href="#">001180T3H56CFL-S</a>	\$378	F2B	30	1.15	1.26	83.5	11.495	575	9,20
		1800	143/5T	<a href="#">001180T3ER143TC-S</a>	\$479	N1S	34	1.15	1.51	85.5	12.952	230/460	9,20
1.5	1.1	3600	56C	<a href="#">001560T3E56CFL-S</a>	\$408	F2B	30	1.15	1.85	84.0	11.889	230/460	9,20
		3600	143/5T	<a href="#">001560T3ER143TC-S</a>	\$531	N1S	29	1.15	1.85	84.0	12.952	230/460	9,20,51
		1800	56C	<a href="#">001580T3E56CFL-S</a>	\$389	F2B	40	1.15	2.10	86.5	12.677	230/460	9,20
		1800	56C	<a href="#">001580T3H56CFL-S</a>	\$389	F2B	40	1.15	1.68	86.5	12.677	575	9,20
		1800	143/5T	<a href="#">001580T3ER145TC-S</a>	\$538	N1S	42	1.15	2.07	86.5	13.739	230/460	9,20
2	1.5	3600	56C	<a href="#">002360T3E56CFL-S</a>	\$464	F2B	38	1.15	2.42	85.5	12.677	230/460	9,20
		3600	143/5T	<a href="#">002360T3ER145TC-S</a>	\$576	N1S	37	1.15	2.42	85.5	13.346	230/460	9,20
		1800	56C	<a href="#">002180T3E56CFL-S</a>	\$399	F2B	40	1.15	2.69	86.5	12.677	230/460	9,20
		1800	56C	<a href="#">002180T3H56CFL-S</a>	\$399	F2B	40	1.15	2.15	86.5	12.677	575	9,20
		1800	143/5T	<a href="#">002180T3ER145TC-S</a>	\$581	N1S	39	1.15	2.69	86.5	13.739	230/460	9,20
		1200	182/4TC	<a href="#">002120T3ER184TC-S</a>	\$635	N1S	73	1.15	3.00	87.5	14.764	230/461	9,20
3	2.2	3600	56C	<a href="#">003360T3E56CFL-S</a>	\$513	F2B	42	1.15	3.59	85.5	13.070	230/460	9,20
		3600	143/5T	<a href="#">003360T3ER145TC-S</a>	\$634	N1S	40	1.15	3.59	85.5	13.739	230/460	9,20
		1800	182/4T	<a href="#">003180T3ER182TC-S</a>	\$620	N1S	66	1.15	3.86	89.5	16.534	230/460	9,20,51
5	3.7	3600	182/4T	<a href="#">005360T3ER182TC-S</a>	\$747	N1S	59	1.15	6.10	86.5	16.141	230/460	9,20
		1800	182/4T	<a href="#">005180T3ER184TC-S</a>	\$726	N1S	80	1.15	6.33	89.5	17.716	230/460	9,20
7.5	5.5	3600	182/4T	<a href="#">007360T3ER184TC-S</a>	\$1,016	N1S	70	1.15	8.67	88.5	16.534	230/460	9,20
		1800	213/5T	<a href="#">007180T3ER213TC-S</a>	\$1,043	N1S	116	1.15	9.25	91.0	18.780	230/460	9,20
10	7.5	3600	213/5T	<a href="#">010360T3ER213TC-S</a>	\$1,214	N1S	117	1.15	12.0	89.5	19.174	230/460	9,20
		1800	213/5T	<a href="#">010180T3ER215TC-S</a>	\$1,235	N1S	137	1.15	12.4	91.7	18.780	230/460	9,20
15	11	3600	213/5T	<a href="#">015360T3ER215TC-S</a>	\$1,625	N1S	131	1.15	17.2	90.2	19.961	230/460	9,20
		1800	254/6T	<a href="#">015180T3ER254TC-S</a>	\$1,643	N1S	175	1.15	18.6	93.0	22.401	230/460	9,20
20	15	3600	254/6T	<a href="#">020360T3ER254TC-S</a>	\$1,926	N1S	151	1.15	23.8	91.0	22.401	230/460	9,20
		1800	254/6T	<a href="#">020180T3ER256TC-S</a>	\$1,998	N1S	198	1.15	25.0	93.0	22.401	230/460	9,20

## ODP - Resilient Base



HP	kW	RPM	Frame	Catalog Number	List Price	Mult. Symbol	Approx. Shipping Weight (lbs)	Service Factor	FL Amps @ High	FL Eff (%)	"C" Dimension (in)	Voltage (V)	Notes
0.33	0.25	1800	56	<a href="#">.33180T3ERB56-S</a>	\$314	F2B	22	1.35	0.67	73.4	10.827	230/460	9,13
0.5	0.37	1800	56	<a href="#">.50180T3ERB56-S</a>	\$354	F2B	25	1.25	0.86	78.2	11.220	230/460	9,13
0.75	0.55	1800	56	<a href="#">.75180T3ERB56-S</a>	\$388	F2B	28	1.25	1.15	81.1	11.614	230/460	9,13
1	0.75	1800	56	<a href="#">001180T3ERB56-S</a>	\$408	F2B	31	1.15	1.57	83.5	12.008	230/460	9,13
1.5	1.1	1800	56H	<a href="#">001580T3ERB56-S</a>	\$419	F2B	42	1.15	2.10	86.5	13.189	230/460	9,13

Please refer to back cover for description of "NOTES"

For detailed specifications, data sheets, drawings and performance curves visit <http://www.weg.net>



# Three-Phase General Purpose Motors

WITH INTERNAL AEGIS® SGR

## TEFC - Three-Phase - Foot Mount and Foot Mount with C-Face

HP	kW	RPM	Frame	Catalog Number	List Price	Mult. Symbol	Approx. Shipping Weight (lbs)	Service Factor	FL Amps @ High	FL Eff (%)	"C" Dimension (in)	Voltage (V)	Notes
1	0.75	3600	143/5T	<a href="#">00136ET3E143T-SG</a>	\$560	RSP	31	1.15	1.40	78.5	13.189	230/460	9;34
		3600	143/5T	<a href="#">00136ET3H143T-SG</a>	\$560	RSP	31	1.15	1.10	78.5	13.189	575	9;34
		1800	143/5T	<a href="#">00118ET3E143T-SG</a>	\$599	RSP	42	1.15	1.50	85.5	13.583	230/460	9;34
		1800	143/5T	<a href="#">00118ET3H143T-SG</a>	\$599	RSP	42	1.15	1.20	85.5	13.583	575	9;34
		1800	143/5T	<a href="#">00118ET3V143T-SG</a>	\$599	RSP	42	1.15	1.70	85.5	13.583	200/400	9;34
		1200	143/5T	<a href="#">00112ET3E145T-SG</a>	\$669	RSP	43	1.15	1.60	82.5	13.583	230/460	9;34
		1200	143/5T	<a href="#">00112ET3H145T-SG</a>	\$669	RSP	43	1.15	1.30	82.5	13.583	575	9;34
1.5	1.1	3600	143/5T	<a href="#">00156ET3E143T-SG</a>	\$613	RSP	39	1.15	1.90	84.0	13.189	230/460	9;34
		3600	143/5T	<a href="#">00156ET3H143T-SG</a>	\$613	RSP	39	1.15	1.50	84.0	13.189	575	9;34
		1800	143/5T	<a href="#">00158ET3E145T-SG</a>	\$620	RSP	43	1.15	2.00	86.5	13.583	230/460	9;34
		1800	143/5T	<a href="#">00158ET3H145T-SG</a>	\$620	RSP	43	1.15	1.60	86.5	13.583	575	9;34
		1800	143/5T	<a href="#">00158ET3V145T-SG</a>	\$620	RSP	43	1.15	2.30	86.5	13.583	200/400	9;34
		1200	182/4T	<a href="#">00152ET3E182T-SG</a>	\$826	RSP	76	1.15	2.20	87.5	16.339	230/460	9;34
		1200	182/4T	<a href="#">00152ET3H182T-SG</a>	\$826	RSP	76	1.15	1.80	87.5	16.339	575	9;34
2	1.5	3600	143/5T	<a href="#">00236ET3E145T-SG</a>	\$654	RSP	45	1.15	2.50	85.5	13.976	230/460	9;34
		3600	143/5T	<a href="#">00236ET3H145T-SG</a>	\$654	RSP	45	1.15	2.00	85.5	13.976	575	9;34
		1800	143/5T	<a href="#">00218ET3E145T-SG</a>	\$673	RSP	47	1.15	2.70	86.5	13.976	230/460	9;34
		1800	143/5T	<a href="#">00218ET3H145T-SG</a>	\$673	RSP	47	1.15	2.20	86.5	13.976	575	9;34
		1800	143/5T	<a href="#">00218ET3V145T-SG</a>	\$673	RSP	47	1.15	3.10	86.5	13.976	200/400	9;34
		1200	182/4T	<a href="#">00212ET3E184T-SG</a>	\$883	RSP	86	1.15	3.00	88.5	17.126	230/460	9;34
		1200	182/4T	<a href="#">00212ET3H184T-SG</a>	\$883	RSP	86	1.15	2.40	88.5	17.126	575	9;34
3	2.2	3600	182/4T	<a href="#">00336ET3E182T-SG</a>	\$835	RSP	73	1.15	3.70	86.5	16.339	230/460	9;34
		3600	182/4T	<a href="#">00336ET3H182T-SG</a>	\$835	RSP	73	1.15	3.00	86.5	16.339	575	9;34
		1800	182/4T	<a href="#">00318ET3E182T-SG</a>	\$747	RSP	87	1.15	3.80	89.5	17.913	230/460	9;34
		1800	182/4TC	<a href="#">00318ET3E182TC-SG</a>	\$780	RSP	87	1.15	3.80	89.5	17.913	230/460	9;34;51
		1800	182/4T	<a href="#">00318ET3H182T-SG</a>	\$747	RSP	87	1.15	3.00	89.5	17.913	575	9;34
		1800	182/4T	<a href="#">00318ET3V182T-SG</a>	\$747	RSP	87	1.15	4.40	89.5	17.913	200/400	9;34
		1200	213/5T	<a href="#">00312ET3E213T-SG</a>	\$1,183	RSP	134	1.15	4.20	89.5	19.291	230/460	9;34
		1200	213/5T	<a href="#">00312ET3H213T-SG</a>	\$1,183	RSP	134	1.15	3.40	89.5	19.291	575	9;34;51
5	3.7	3600	182/4T	<a href="#">00536ET3E184T-SG</a>	\$930	RSP	85	1.15	5.90	88.5	17.913	230/460	9;34
		3600	182/4TC	<a href="#">00536ET3E184TC-SG</a>	\$963	RSP	98	1.15	5.90	88.5	17.913	230/460	9;34;51
		3600	182/4T	<a href="#">00536ET3H184T-SG</a>	\$930	RSP	85	1.15	4.70	88.5	17.913	575	9;34
		1800	182/4T	<a href="#">00518ET3E184T-SG</a>	\$842	RSP	81	1.15	6.50	89.5	17.913	230/460	9;34
		1800	182/4TC	<a href="#">00518ET3E184TC-SG</a>	\$876	RSP	81	1.15	6.50	89.5	17.913	230/460	9;34;51
		1800	182/4T	<a href="#">00518ET3H184T-SG</a>	\$842	RSP	81	1.15	5.20	89.5	17.913	575	9;34
		1800	182/4T	<a href="#">00518ET3V184T-SG</a>	\$842	RSP	81	1.15	7.50	89.5	17.913	200/400	9;34
		1200	213/5T	<a href="#">00512ET3E215T-SG</a>	\$1,360	RSP	153	1.15	6.70	89.5	20.079	230/460	9;34
		1200	213/5T	<a href="#">00512ET3H215T-SG</a>	\$1,360	RSP	153	1.15	5.40	89.5	20.079	575	9;34

continued on next page

Three-Phase  
General Purpose  
Motors

Please refer to back cover for description of "NOTES"

For detailed specifications, data sheets, drawings and performance curves visit <http://www.weg.net>

Data subject to change without notice.

Can't find what you are looking for? Call 1-800-ASK-4WEG (275-4934)

# Three-Phase General Purpose Motors



WITH INTERNAL AEGIS® SGR

## TEFC - Three-Phase - Foot Mount and Foot Mount with C-Face - continued

Three-Phase  
General Purpose  
Motors

HP	kW	RPM	Frame	Catalog Number	List Price	Mult. Symbol	Approx. Shipping Weight (lbs)	Service Factor	FL Amps @ High	FL. Eff (%)	"C" Dimension (in)	Voltage (V)	Notes
7.5	5.5	3600	213/5T	00736ET3E213T-SRG	\$1,298	RSP	143	1.15	8.67	89.5	18.897	230/460	9;34
		3600	213/5T	00736ET3E213T-SG	\$1,180	RSP	143	1.15	8.70	89.5	20.079	230/460	9;34
		3600	213/5TC	00736ET3E213TC-SG	\$1,225	RSP	145	1.15	8.70	89.5	20.079	230/460	9;34;51
		3600	213/5T	00736ET3H213T-SG	\$1,180	RSP	143	1.15	7.00	89.5	20.079	575	9;34
		1800	213/5T	00718ET3E213T-SG	\$1,148	RSP	131	1.15	9.10	91.7	18.898	230/460	9;34
		1800	213/5TC	00718ET3E213TC-SG	\$1,194	RSP	140	1.15	9.10	91.7	18.898	230/460	9;34;51
		1800	213/5T	00718ET3H213T-SG	\$1,148	RSP	131	1.15	7.30	91.7	18.898	575	9;34
		1800	213/5T	00718ET3V213T-SG	\$1,148	RSP	131	1.15	10.5	91.7	18.898	200/400	9;34
		1200	254/6T	00712ET3E254T-SG	\$2,079	RSP	232	1.15	10.0	91.0	22.559	230/460	9;34
		1200	254/6T	00712ET3H254T-SG	\$2,079	RSP	232	1.15	8.00	91.0	22.559	575	9;34
10	7.5	3600	213/5T	01036ET3E215T-SRG	\$1,496	RSP	178	1.15	11.5	90.2	19.291	230/460	9;34
		3600	213/5T	01036ET3E215T-SG	\$1,360	RSP	178	1.15	11.5	90.2	21.654	230/460	9;34
		3600	213/5TC	01036ET3E215TC-SG	\$1,405	RSP	178	1.15	11.5	90.2	21.654	230/460	9;34;51
		3600	213/5T	01036ET3H215T-SG	\$1,360	RSP	178	1.15	9.20	90.2	21.654	575	9;34
		1800	213/5T	01018ET3E215T-SG	\$1,310	RSP	141	1.15	12.2	91.7	19.291	230/460	9;34
		1800	213/5TC	01018ET3E215TC-SG	\$1,354	RSP	151	1.15	12.2	91.7	19.291	230/460	9;34;51
		1800	213/5T	01018ET3H215T-SG	\$1,310	RSP	141	1.15	9.80	91.7	19.291	575	9;34
		1800	213/5T	01018ET3V215T-SG	\$1,310	RSP	141	1.15	14.0	91.7	19.291	200/400	9;34
		1200	254/6T	01012ET3E256T-SG	\$2,368	RSP	263	1.15	13.8	91.0	23.346	230/460	9;34
		1200	254/6T	01012ET3H256T-SG	\$2,368	RSP	263	1.15	11.0	91.0	23.346	575	9;34
15	11	3600	254/6T	01536ET3E254T-SG	\$1,869	RSP	216	1.15	17.4	91.0	22.559	230/460	9;34
		3600	254/6TC	01536ET3E254TC-SG	\$1,929	RSP	216	1.15	17.4	91.0	22.559	230/460	9;34;51
		3600	254/6T	01536ET3H254T-SG	\$1,869	RSP	216	1.15	13.9	91.0	22.559	575	9;34
		3600	254/6T	01536ET3E254T-W22G	\$2,104	N1	300	1.25	17.2	91.0	24.945	230/460	9;34
		1800	254/6T	01518ET3E254T-W22G	\$2,128	N1	349	1.25	18.0	92.4	24.961	230/460	9;34;51
		1800	254/6T	01518ET3E254T-SG	\$1,890	RSP	234	1.15	18.2	92.4	22.559	230/460	9;34
		1800	254/6TC	01518ET3E254TC-SG	\$1,950	RSP	248	1.15	18.2	92.4	22.559	230/460	9;34
		1800	254/6T	01518ET3H254T-SG	\$1,890	RSP	234	1.15	14.6	92.4	22.559	575	34
		1800	254/6T	01518ET3V254T-SG	\$1,890	RSP	234	1.15	20.9	92.4	22.559	200/400	34
		1200	284/6TS	01512ET3E284TS-W22G	\$3,601	N1	360	1.25	17.9	91.7	26.557	230/460	34
		1200	284/6T	01512ET3E284T-W22G	\$3,601	N1	422	1.25	17.9	91.7	27.929	230/460	9;34
		1200	284/6TS	01512ET3H284TS-W22G	\$3,601	N1	360	1.25	14.3	91.7	26.557	575	9;34;51
20	15	3600	254/6T	02036ET3E256T-SG	\$2,356	RSP	242	1.15	22.7	91.0	23.346	230/460	9;34
		3600	254/6TC	02036ET3E256TC-SG	\$2,416	RSP	245	1.15	22.7	91.0	23.346	230/460	9;34
		3600	254/6T	02036ET3H256T-SG	\$2,356	RSP	242	1.15	18.2	91.0	23.346	575	9;34;51
		3600	254/6T	02036ET3E256T-W22G	\$2,662	N1	325	1.25	23.2	91.0	24.961	230/460	9;34
		1800	254/6T	02018ET3E256T-SG	\$2,198	RSP	265	1.15	24.7	92.4	23.346	230/460	9;34;51
		1800	254/6TC	02018ET3E256TC-SG	\$2,258	RSP	279	1.15	24.7	93.0	23.346	230/460	34
		1800	254/6T	02018ET3H256T-SG	\$2,198	RSP	265	1.15	19.8	93.0	23.346	575	34
		1800	254/6T	02018ET3V256T-SG	\$2,198	RSP	265	1.15	28.4	93.0	23.346	200/400	34
		1200	284/6T	02012ET3E286T-W22G	\$4,272	N1	449	1.25	24.2	91.7	27.929	230/460	34
		1200	284/6T	02012ET3H286T-W22G	\$4,272	N1	450	1.25	19.4	91.7	27.929	575	34
25	18.5	3600	284/6TS	02536ET3E284TS-W22G	\$3,308	N1	406	1.25	28.5	91.7	26.557	230/460	34
		3600	284/6TS	02536ET3H284TS-W22G	\$3,308	N1	400	1.25	22.8	91.7	26.557	575	34
		1800	284/6T	02518ET3E284T-W22G	\$3,053	N1	440	1.25	29.5	93.6	27.929	230/460	34
		1800	284/6T	02518ET3H284T-W22G	\$3,053	N1	439	1.25	23.6	93.6	27.929	575	34
		1800	284/6T	02518ET3V284T-W22G	\$3,053	N1	440	1.25	33.9	93.6	27.929	200/400	34
		1200	324/6T	02512ET3E324T-W22G	\$5,137	N1	585	1.25	30.4	93.0	31.116	230/460	34
		1200	324/6T	02512ET3H324T-W22G	\$5,137	N1	569	1.25	24.3	93.0	31.116	575	34

continued on next page

Please refer to back cover for description of "NOTES"

For detailed specifications, data sheets, drawings and performance curves visit <http://www.weg.net>



# Three-Phase General Purpose Motors

WITH INTERNAL AEGIS® SGR

## TEFC - Three-Phase - Foot Mount and Foot Mount with C-Face - continued

HP	kW	RPM	Frame	Catalog Number	List Price	Mult. Symbol	Approx. Shipping Weight (lbs)	Service Factor	FL Amps @ High	FL Eff (%)	"C" Dimension (in)	Voltage (V)	Notes
30	22	3600	284/6TS	<a href="#">03036ET3E286TS-W22G</a>	<b>\$3,871</b>	N1	425	1.25	33.8	91.7	26.557	230/460	34
		3600	284/6TS	<a href="#">03036ET3H286TS-W22G</a>	<b>\$3,871</b>	N1	430	1.25	27.0	91.7	26.557	575	34
		1800	284/6T	<a href="#">03018ET3E286T-W22G</a>	<b>\$3,533</b>	N1	478	1.25	35.1	93.6	27.929	230/460	34
		1800	284/6TC	<a href="#">03018ET3E286TC-W22G</a>	<b>\$3,632</b>	N1	486	1.25	35.1	93.6	27.929	230/460	34
		1800	284/6T	<a href="#">03018ET3H286T-W22G</a>	<b>\$3,533</b>	N1	476	1.25	28.1	93.6	27.929	575	34
		1800	284/6T	<a href="#">03018ET3V286T-W22G</a>	<b>\$3,533</b>	N1	479	1.25	40.4	93.6	27.929	200/400	34
		1200	324/6T	<a href="#">03012ET3E326T-W22G</a>	<b>\$5,673</b>	N1	629	1.25	36.2	93.0	31.116	230/460	34
		1200	324/6TC	<a href="#">03012ET3E326TC-W22G</a>	<b>\$5,794</b>	N1	621	1.25	36.2	93.0	31.116	230/460	34,51
		1200	324/6T	<a href="#">03012ET3H326T-W22G</a>	<b>\$5,673</b>	N1	621	1.25	29.0	93.0	31.116	575	34
40	30	3600	324/6TS	<a href="#">04036ET3E324TS-W22G</a>	<b>\$5,125</b>	N1	590	1.25	45.8	92.4	29.616	230/460	34
		3600	324/6TS	<a href="#">04036ET3H324TS-W22G</a>	<b>\$5,125</b>	N1	572	1.25	36.6	92.4	29.616	575	34
		1800	324/6T	<a href="#">04018ET3E324T-W22G</a>	<b>\$4,578</b>	N1	615	1.25	47.1	94.1	31.116	230/460	34
		1800	324/6T	<a href="#">04018ET3H324T-W22G</a>	<b>\$4,578</b>	N1	614	1.25	37.7	94.1	31.116	575	34
		1800	324/6T	<a href="#">04018ET3V324T-W22G</a>	<b>\$4,578</b>	N1	616	1.25	54.2	94.1	31.116	200/400	34
		1200	364/5T	<a href="#">04012ET3E364T-W22G</a>	<b>\$8,124</b>	N1	1004	1.25	46.5	94.1	34.251	230/460	34
		1200	364/5T	<a href="#">04012ET3H364T-W22G</a>	<b>\$8,124</b>	N1	950	1.25	37.2	94.1	34.251	575	34
50	37	3600	324/6TS	<a href="#">05036ET3E326TS-W22G</a>	<b>\$5,716</b>	N1	612	1.25	56.1	93.0	29.616	230/460	34
		3600	324/6TS	<a href="#">05036ET3H326TS-W22G</a>	<b>\$5,716</b>	N1	605	1.25	44.9	93.0	29.616	575	34
		1800	324/6T	<a href="#">05018ET3E326T-W22G</a>	<b>\$5,500</b>	N1	638	1.25	59.2	94.5	31.116	230/460	34
		1800	324/6T	<a href="#">05018ET3H326T-W22G</a>	<b>\$5,500</b>	N1	634	1.25	47.4	94.5	31.116	575	34
		1800	324/6T	<a href="#">05018ET3V326T-W22G</a>	<b>\$5,500</b>	N1	637	1.25	68.1	94.5	31.116	200/400	34,51
		1200	364/5T	<a href="#">05012ET3E365T-W22G</a>	<b>\$9,358</b>	N1	1021	1.25	57.4	94.1	34.251	230/460	34
		1200	364/5T	<a href="#">05012ET3H365T-W22G</a>	<b>\$9,358</b>	N1	1009	1.25	45.9	94.1	34.251	575	34
60	45	3600	364/5TS	<a href="#">06036ET3E364TS-W22G</a>	<b>\$8,392</b>	N1	962	1.25	67.0	93.6	32.338	230/460	34
		3600	364/5TS	<a href="#">06036ET3H364TS-W22G</a>	<b>\$8,392</b>	N1	954	1.25	53.6	93.6	32.338	575	34,51
		1800	364/5T	<a href="#">06018ET3E364T-W22G</a>	<b>\$8,229</b>	N1	1029	1.25	68.3	95.0	34.251	230/460	34
		1800	364/5T	<a href="#">06018ET3H364T-W22G</a>	<b>\$8,229</b>	N1	1027	1.25	54.6	95.0	34.251	575	34
		1200	404/5T	<a href="#">06012ET3E404T-W22G</a>	<b>\$11,697</b>	N1	1213	1.25	69.5	94.5	39.730	230/460	34
		1200	404/5T	<a href="#">06012ET3H404T-W22G</a>	<b>\$11,697</b>	N1	1213	1.25	55.6	94.5	39.730	575	34
75	55	3600	364/5TS	<a href="#">07536ET3E365TS-W22G</a>	<b>\$9,931</b>	N1	965	1.25	81.9	93.6	32.338	230/460	34
		3600	364/5TS	<a href="#">07536ET3H365TS-W22G</a>	<b>\$9,931</b>	N1	967	1.25	65.5	93.6	32.338	575	34,51
		1800	364/5T	<a href="#">07518ET3E365T-W22G</a>	<b>\$9,545</b>	N1	1046	1.25	84.1	95.4	34.251	230/460	34
		1800	364/5TC	<a href="#">07518ET3E365TC-W22G</a>	<b>\$9,988</b>	N1	1041	1.25	84.1	95.4	34.251	230/460	34,51
		1800	364/5T	<a href="#">07518ET3H365T-W22G</a>	<b>\$9,545</b>	N1	1044	1.25	67.3	95.4	34.251	575	34
		1200	404/5T	<a href="#">07512ET3E405T-W22G</a>	<b>\$13,258</b>	N1	882	1.25	84.9	94.5	39.730	230/460	34
		1200	404/5T	<a href="#">07512ET3H405T-W22G</a>	<b>\$13,258</b>	N1	882	1.25	67.9	94.5	39.730	575	34
100	75	3600	404/5TS	<a href="#">10036ET3E405TS-W22G</a>	<b>\$13,202</b>	N1	1193	1.25	110	94.1	36.732	230/460	34
		1800	404/5T	<a href="#">10018ET3E405T-W22G</a>	<b>\$12,889</b>	N1	1283	1.25	111	95.4	39.730	230/460	34
		1800	404/5T	<a href="#">10018ET3H405T-W22G</a>	<b>\$12,889</b>	N1	1292	1.25	88.8	95.4	39.730	575	34
		1200	444/5T	<a href="#">10012ET3E444T-W22G</a>	<b>\$17,181</b>	N1	1885	1.25	121	95.0	45.157	230/460	34
		1200	444/5T	<a href="#">10012ET3H444T-W22G</a>	<b>\$17,181</b>	N1	1885	1.25	96.8	95.0	45.157	575	34

continued on next page

Three-Phase General Purpose Motors

Please refer to back cover for description of "NOTES"

For detailed specifications, data sheets, drawings and performance curves visit <http://www.weg.net>

Data subject to change without notice.

Can't find what you are looking for? Call 1-800-ASK-4WEG (275-4934)

# Three-Phase General Purpose Motors



WITH INTERNAL AEGIS® SGR

## TEFC - Three-Phase - Foot Mount and Foot Mount with C-Face - *continued*

Three-Phase  
General Purpose  
Motors

HP	kW	RPM	Frame	Catalog Number	List Price	Mult. Symbol	Approx. Shipping Weight (lbs)	Service Factor	FL Amps @ High	FL. Eff (%)	"C" Dimension (in)	Voltage (V)	Notes
125	90	3600	444/5TS	<a href="#">12536ET3E444TS-W22G</a>	<b>\$16,900</b>	N1	1836	1.15	134	95.0	41.407	230/460	34
		3600	444/5TS	<a href="#">12536ET3H444TS-W22G</a>	<b>\$16,900</b>	N1	1836	1.15	107	95.0	41.407	575	34
		1800	444/5T	<a href="#">12518ET3E444T-W22G</a>	<b>\$16,298</b>	N1	1824	1.15	139	95.4	45.157	230/460	34
		1800	444/5TC	<a href="#">12518ET3E444TC-W22G</a>	<b>\$16,904</b>	N1	1861	1.15	139	95.4	45.157	230/460	34
		1800	444/5T	<a href="#">12518ET3H444T-W22G</a>	<b>\$16,298</b>	N1	1824	1.15	111	95.4	45.157	575	34
		1800	444/5TC	<a href="#">12518ET3G444TC-W22G</a>	<b>\$17,768</b>	N1	1754	1.15	139	95.4	45.157	460	34,51
		1200	444/5T	<a href="#">12512ET3E445T-W22G</a>	<b>\$19,497</b>	N1	2004	1.15	143	95.0	45.157	230/460	34
		1200	444/5T	<a href="#">12512ET3H445T-W22G</a>	<b>\$19,497</b>	N1	2004	1.15	114	95.0	45.157	575	34
150	110	1800	444/5TC	<a href="#">15018ET3E445TC-W22G</a>	<b>\$19,575</b>	N1	1960	1.15	170	95.8	45.157	230/460	34
		1800	444/5TC	<a href="#">15018ET3G445TC-W22G</a>	<b>\$19,575</b>	N1	1960	1.15	170	95.8	45.157	460	34,51

Please refer to back cover for description of "NOTES"

For detailed specifications, data sheets, drawings and performance curves visit <http://www.weg.net>





# Three-Phase General Purpose Motors

WITH INTERNAL AEGIS® SGR

## ODP - Three-Phase - Foot Mount and Foot Mount with C-Face

Three-Phase  
General Purpose  
Motors

HP	kW	RPM	Frame	Catalog Number	List Price	Mult. Symbol	Approx. Shipping Weight (lbs)	Service Factor	FL Amps @ High	FL Eff (%)	"C" Dimension (in)	Voltage (V)	Notes
1	0.75	1800	143/5T	<a href="#">001180T3E143T-SG*</a>	\$530	N1S	38	1.15	1.50	85.5	11.181	230/460	9;34
		1800	143/5TC	<a href="#">001180T3E143TC-SG</a>	\$564	N1S	38	1.15	1.50	85.5	11.181	230/460	9;34
		1800	143/5T	<a href="#">001180T3H143T-SG</a>	\$530	N1S	38	1.15	1.20	85.5	11.181	575	9;34;51
		1800	143/5T	<a href="#">001180T3V143T-SG</a>	\$530	N1S	38	1.15	1.70	85.5	11.181	200/400	9;34;51
		1200	143/5T	<a href="#">001120T3E145T-SG</a>	\$586	N1S	38	1.15	1.70	82.5	11.181	230/460	9;34;51
		1200	143/5T	<a href="#">001120T3H145T-SG</a>	\$586	N1S	38	1.15	1.30	82.5	11.181	575	9;34
1.5	1.1	3600	143/5T	<a href="#">001560T3E143T-SG</a>	\$582	N1S	33	1.15	1.90	84.0	11.181	230/460	9;34
		1800	143/5T	<a href="#">001580T3E145T-SG</a>	\$589	N1S	45	1.15	2.10	86.5	12.362	230/460	9;34
		1800	143/5TC	<a href="#">001580T3E145TC-SG</a>	\$623	N1S	45	1.15	2.10	86.5	12.362	230/460	9;34;51
		1800	143/5T	<a href="#">001580T3H145T-SG</a>	\$589	N1S	45	1.15	1.70	86.5	12.362	575	9;34
		1800	143/5T	<a href="#">001580T3V145T-SG</a>	\$589	N1S	45	1.15	2.40	86.5	12.362	200/400	9;34
		1800	143/5TC	<a href="#">001580T3V145TC-SG</a>	\$623	N1S	45	1.15	2.40	86.5	12.362	200/400	9;34;51
		1200	182/4T	<a href="#">001520T3E182T-SG</a>	\$758	N1S	63	1.15	2.30	86.5	13.976	230/460	9;34
2	1.5	3600	143/5T	<a href="#">002360T3E145T-SG</a>	\$627	N1S	40	1.15	2.40	85.5	11.969	230/460	9;34
		1800	143/5T	<a href="#">002180T3E145T-SG</a>	\$632	N1S	43	1.15	2.70	86.5	12.362	230/460	9;34
		1800	143/5TC	<a href="#">002180T3E145TC-SG</a>	\$666	N1S	43	1.15	2.70	86.5	12.362	230/460	9;34;51
		1800	143/5T	<a href="#">002180T3H145T-SG</a>	\$632	N1S	43	1.15	2.20	86.5	12.362	575	9;34;51
		1800	143/5T	<a href="#">002180T3V145T-SG</a>	\$632	N1S	43	1.15	3.10	86.5	12.362	200/400	9;34
		1200	182/4T	<a href="#">002120T3E184T-SG</a>	\$767	N1S	73	1.15	3.00	87.5	14.764	230/460	9;34
3	2.2	3600	143/5T	<a href="#">003360T3E145T-SG</a>	\$685	N1S	44	1.15	3.60	85.5	12.362	230/460	9;34
		1800	182/4T	<a href="#">003180T3E182T-SG</a>	\$694	N1S	73	1.15	3.90	89.5	15.157	230/460	9;34
		1800	182/4TC	<a href="#">003180T3E182TC-SG</a>	\$732	N1S	73	1.15	3.90	89.5	15.157	230/460	9;34
		1800	182/4T	<a href="#">003180T3H182T-SG</a>	\$694	N1S	73	1.15	3.10	89.5	15.157	575	9;34
		1800	182/4T	<a href="#">003180T3V182T-SG</a>	\$694	N1S	73	1.15	4.40	89.5	15.157	200/400	9;34
		1800	182/4TC	<a href="#">003180T3V182TC-SG</a>	\$732	N1S	73	1.15	4.40	89.5	15.157	200/400	9;34;51
		1200	213/5T	<a href="#">003120T3E213T-SG</a>	\$975	N1S	113	1.15	4.20	88.5	16.575	230/460	9;34
		1200	213/5T	<a href="#">003120T3H213T-SG</a>	\$975	N1S	113	1.15	3.30	88.5	16.575	575	9;34
5	3.7	3600	182/4T	<a href="#">005360T3E182T-SG</a>	\$821	N1S	61	1.15	6.10	86.5	14.764	230/460	9;34
		3600	182/4TC	<a href="#">005360T3E182TC-SG</a>	\$859	N1S	61	1.15	6.10	86.5	14.764	230/460	9;34;51
		1800	182/4T	<a href="#">005180T3E184T-SG</a>	\$800	N1S	88	1.15	6.30	89.5	16.339	230/460	9;34
		1800	182/4TC	<a href="#">005180T3E184TC-SG</a>	\$838	N1S	88	1.15	6.30	89.5	16.339	230/460	9;34
		1800	182/4T	<a href="#">005180T3H184T-SG</a>	\$800	N1S	88	1.15	5.10	89.5	16.339	575	9;34
		1800	182/4T	<a href="#">005180T3V184T-SG</a>	\$800	N1S	88	1.15	7.30	89.5	16.339	200/400	9;34
		1800	182/4TC	<a href="#">005180T3V184TC-SG</a>	\$838	N1S	88	1.15	7.30	89.5	16.339	200/400	9;34;51
		1200	213/5T	<a href="#">005120T3E215T-SG</a>	\$1,257	N1S	135	1.15	6.70	89.5	16.969	230/460	9;34

continued on next page

Please refer to back cover for description of "NOTES"

For detailed specifications, data sheets, drawings and performance curves visit <http://www.weg.net>

Data subject to change without notice.

Can't find what you are looking for? Call 1-800-ASK-4WEG (275-4934)

WITH INTERNAL AEGIS® SGR

## ODP - Three-Phase - Foot Mount and Foot Mount with C-Face - continued

Three-Phase General Purpose Motors

HP	kW	RPM	Frame	Catalog Number	List Price	Mult. Symbol	Approx. Shipping Weight (lbs)	Service Factor	FL Amps @ High	FL. Eff (%)	"C" Dimension (in)	Voltage (V)	Notes
7.5	5.5	3600	182/4T	<a href="#">007360T3E184T-SG</a>	\$1,090	N1S	76	1.15	8.70	88.5	15.157	230/460	9;34
		3600	182/4TC	<a href="#">007360T3E184TC-SG</a>	\$1,128	N1S	76	1.15	8.70	88.5	15.157	230/460	9;34;51
		1800	213/5T	<a href="#">007180T3E213T-SG</a>	\$1,110	N1S	125	1.15	9.30	91.0	16.575	230/460	9;34
		1800	213/5TC	<a href="#">007180T3E213TC-SG</a>	\$1,161	N1S	125	1.15	9.30	91.0	16.575	230/460	9;34
		1800	213/5T	<a href="#">007180T3H213T-SG</a>	\$1,110	N1S	125	1.15	7.40	91.0	16.575	575	9;34
		1800	213/5T	<a href="#">007180T3V213T-SG</a>	\$1,110	N1S	125	1.15	10.6	91.0	16.575	200/400	9;34
		1800	213/5TC	<a href="#">007180T3V213TC-SG</a>	\$1,161	N1S	125	1.15	10.6	91.0	16.575	200/400	9;34
		1200	254/6T	<a href="#">007120T3E254T-SG</a>	\$1,747	N1S	209	1.15	10.2	90.2	20.472	230/460	9;34
		1200	254/6TC	<a href="#">007120T3E254TC-SG</a>	\$1,815	N1S	209	1.15	10.2	90.2	20.472	230/460	9;34
		1200	254/6T	<a href="#">007120T3H254T-SG</a>	\$1,747	N1S	209	1.15	8.20	90.2	20.472	575	9;34
10	7.5	3600	213/5T	<a href="#">010360T3E213T-SG</a>	\$1,281	N1S	126	1.15	12.0	89.5	16.969	230/460	9;34
		3600	213/5TC	<a href="#">010360T3E213TC-SG</a>	\$1,332	N1S	126	1.15	12.0	89.5	16.969	230/460	9;34;51
		1800	213/5T	<a href="#">010180T3E215T-SG</a>	\$1,302	N1S	130	1.15	12.4	91.7	16.575	230/460	9;34
		1800	213/5TC	<a href="#">010180T3E215TC-SG</a>	\$1,353	N1S	130	1.15	12.4	91.7	16.575	230/460	9;34
		1800	213/5T	<a href="#">010180T3H215T-SG</a>	\$1,302	N1S	130	1.15	9.90	91.7	16.575	575	9;34
		1800	213/5T	<a href="#">010180T3V215T-SG</a>	\$1,302	N1S	130	1.15	14.3	91.7	16.575	200/400	9;34;51
		1800	213/5TC	<a href="#">010180T3V215TC-SG</a>	\$1,353	N1S	130	1.15	14.3	91.7	16.575	200/400	9;34
		1200	254/6T	<a href="#">010120T3E256T-SG</a>	\$1,997	N1S	237	1.15	13.9	91.7	20.472	230/460	9;34
		1200	254/6T	<a href="#">010120T3H256T-SG</a>	\$1,997	N1S	237	1.15	11.1	91.7	20.472	575	9;34
		15	11	3600	213/5T	<a href="#">015360T3E215T-SG</a>	\$1,692	N1S	141	1.15	17.2	90.2	17.756
3600	213/5TC			<a href="#">015360T3E215TC-SG</a>	\$1,743	N1S	141	1.15	17.2	90.2	17.756	230/460	9;34;51
1800	254/6T			<a href="#">015180T3E254T-SG</a>	\$1,757	N1S	211	1.15	18.6	93.0	20.472	230/460	9;34
1800	254/6TC			<a href="#">015180T3E254TC-SG</a>	\$1,825	N1S	211	1.15	18.6	93.0	20.472	230/460	9;34
1800	254/6T			<a href="#">015180T3H254T-SG</a>	\$1,757	N1S	211	1.15	14.9	93.0	20.472	575	9;34
1800	254/6T			<a href="#">015180T3V254T-SG</a>	\$1,757	N1S	211	1.15	21.4	93.0	20.472	200/400	9;34
1200	284T			<a href="#">015120T3E284T-W40G</a>	\$2,722	N1B	340	1.25	18.4	91.7	23.158	230/460	34
20	15			3600	254/6T	<a href="#">020360T3E254T-SG</a>	\$2,040	N1S	187	1.15	23.8	91.0	20.472
		3600	254/6TC	<a href="#">020360T3E254TC-SG</a>	\$2,108	N1S	187	1.15	23.8	91.0	20.472	230/460	9;34;51
		1800	254/6T	<a href="#">020180T3E256T-SG</a>	\$2,112	N1S	235	1.15	25.0	93.0	20.472	230/460	9;34
		1800	254/6TC	<a href="#">020180T3E256TC-SG</a>	\$2,180	N1S	235	1.15	25.0	93.0	20.472	230/460	9;34
		1800	254/6T	<a href="#">020180T3H256T-SG</a>	\$2,112	N1S	235	1.15	20.0	93.0	20.472	575	9;34
		1800	254/6T	<a href="#">020180T3V256T-SG</a>	\$2,112	N1S	235	1.15	28.8	93.0	20.472	200/400	9;34
		1800	254/6TC	<a href="#">020180T3V256TC-SG</a>	\$2,180	N1S	235	1.15	28.8	93.0	20.472	200/400	9;34
		1200	284/6T	<a href="#">020120T3E286T-W40G</a>	\$3,344	N1B	415	1.25	24.3	92.4	24.658	230/460	34
25	18.5	3600	254/6T	<a href="#">025360T3E256T-SG</a>	\$2,419	N1S	202	1.15	29.1	91.7	20.472	230/460	9;34
		3600	254/6TC	<a href="#">025360T3E256TC-SG</a>	\$2,487	N1S	202	1.15	29.1	91.7	20.472	230/460	9;34;51
		1800	284T	<a href="#">025180T3E284T-W40G</a>	\$2,470	N1B	381	1.25	29.5	93.6	23.158	230/460	34
		1800	284TC	<a href="#">025180T3E284TC-W40G</a>	\$2,555	N1B	388	1.25	29.5	93.6	23.158	230/460	34
		1800	284T	<a href="#">025180T3H284T-W40G</a>	\$2,470	N1B	380	1.25	23.6	93.6	23.158	575	34
		1800	284T	<a href="#">025180T3V284T-W40G</a>	\$2,470	N1B	372	1.25	33.9	93.6	23.158	200/400	34
		1200	324T	<a href="#">025120T3E324T-W40G</a>	\$3,919	N1B	485	1.25	30.8	93.0	25.807	230/460	34

continued on next page

Please refer to back cover for description of "NOTES"

For detailed specifications, data sheets, drawings and performance curves visit <http://www.weg.net>



# Three-Phase General Purpose Motors

WITH INTERNAL AEGIS® SGR

## ODP - Three-Phase - Foot Mount and Foot Mount with C-Face - continued

Three-Phase  
General Purpose  
Motors

HP	kW	RPM	Frame	Catalog Number	List Price	Mult. Symbol	Approx. Shipping Weight (lbs)	Service Factor	FL Amps @ High	FL. Eff (%)	"C" Dimension (in)	Voltage (V)	Notes
30	22	3600	284TS	<a href="#">030360T3E284TS-W40G</a>	\$2,797	N1B	333	1.25	35.0	91.7	21.783	230/460	34
		1800	284/6T	<a href="#">030180T3E286T-W40G</a>	\$2,840	N1B	428	1.25	34.9	94.1	24.658	230/460	34
		1800	284/6TC	<a href="#">030180T3E286TC-W40G</a>	\$2,925	N1B	435	1.25	34.9	94.1	24.658	230/460	34
		1800	284/6T	<a href="#">030180T3H286T-W40G</a>	\$2,840	N1B	432	1.25	27.9	94.1	24.658	575	34
		1800	284/6T	<a href="#">030180T3V286T-W40G</a>	\$2,840	N1B	432	1.25	40.1	94.1	24.658	200/400	34
		1200	324/6T	<a href="#">030120T3E326T-W40G</a>	\$4,290	N1B	548	1.25	36.0	93.6	27.307	230/460	34
40	30	3600	284/6TS	<a href="#">040360T3E286TS-W40G</a>	\$3,618	N1B	377	1.25	46.8	92.4	23.283	230/460	34
		3600	284/6TSC	<a href="#">040360T3E286TSC-W40G</a>	\$3,703	N1B	397	1.25	46.8	92.4	23.283	230/460	34
		1800	324TS	<a href="#">040180T3E324TS-W40G</a>	\$3,372	N1B	505	1.25	47.6	94.1	24.307	230/460	34
		1800	324T	<a href="#">040180T3E324T-W40G</a>	\$3,495	N1B	481	1.25	47.6	94.1	25.807	230/460	34
		1800	324TC	<a href="#">040180T3E324TC-W40G</a>	\$3,595	N1B	497	1.25	47.6	94.1	25.807	230/460	34
		1800	324T	<a href="#">040180T3H324T-W40G</a>	\$3,495	N1B	505	1.25	38.1	94.1	25.807	575	34
		1800	324T	<a href="#">040180T3V324T-W40G</a>	\$3,495	N1B	486	1.25	54.7	94.1	25.807	200/400	34
		1800	324TC	<a href="#">040180T3V324TC-W40G</a>	\$3,595	N1B	505	1.25	54.7	94.1	25.807	200/400	34;51
50	37	3600	324TS	<a href="#">050360T3E324TS-W40G</a>	\$4,097	N1B	520	1.25	58.7	93.0	24.307	230/460	34
		3600	324TSC	<a href="#">050360T3E324TSC-W40G</a>	\$4,197	N1B	520	1.25	58.7	93.0	24.307	230/460	34
		1800	324/6T	<a href="#">050180T3E326T-W40G</a>	\$4,188	N1B	544	1.25	58.5	94.5	27.307	230/460	34
		1800	324/6TC	<a href="#">050180T3E326TC-W40G</a>	\$4,288	N1B	563	1.25	58.5	94.5	27.307	230/460	34
		1800	324/6T	<a href="#">050180T3H326T-W40G</a>	\$4,188	N1B	535	1.25	46.8	94.5	27.307	575	34
		1800	324/6T	<a href="#">050180T3V326T-W40G</a>	\$4,188	N1B	520	1.25	67.3	94.5	27.307	200/400	34
		1200	364/5T	<a href="#">050120T3E365T-W40G</a>	\$7,232	N1B	884	1.25	58.1	94.1	29.725	230/460	34;51
60	45	3600	324/6TS	<a href="#">060360T3E326TS-W40G</a>	\$4,858	N1B	548	1.25	71.0	93.6	25.807	230/460	34
		1800	364/5T	<a href="#">060180T3E364T-W40G</a>	\$5,283	N1B	854	1.25	69.9	95.0	29.725	230/460	34
		1800	364/5TC	<a href="#">060180T3E364TC-W40G</a>	\$5,677	N1B	881	1.25	69.9	95.0	29.725	230/460	34
		1800	364/5T	<a href="#">060180T3H364T-W40G</a>	\$5,283	N1B	847	1.25	55.9	95.0	29.725	575	34
		1200	404/5T	<a href="#">060120T3E404T-W40G</a>	\$8,762	N1B	1051	1.25	70.3	94.5	34.100	230/460	34;51
75	55	3600	364/5TS	<a href="#">075360T3E364TS-W40G</a>	\$6,172	N1B	789	1.25	84.8	93.6	27.522	230/460	34
		3600	364/5TSC	<a href="#">075360T3E364TSC-W40G</a>	\$6,566	N1B	794	1.25	84.8	93.6	27.522	230/460	34;51
		1800	364/5T	<a href="#">075180T3E365T-W40G</a>	\$6,498	N1B	878	1.25	85.5	95.0	29.725	230/460	34
		1800	364/5TC	<a href="#">075180T3E365TC-W40G</a>	\$6,892	N1B	904	1.25	85.5	95.0	29.725	230/460	34
		1800	364/5T	<a href="#">075180T3H365T-W40G</a>	\$6,498	N1B	875	1.25	68.4	95.0	29.725	575	34
		1200	404/5T	<a href="#">075120T3E405T-W40G</a>	\$9,558	N1B	1087	1.25	85.9	94.5	34.100	230/460	34;51
100	75	3600	364/5TS	<a href="#">100360T3E365TS-W40G</a>	\$7,484	N1B	835	1.25	116	93.6	27.522	230/460	34;51
		1800	404/5TS	<a href="#">100180T3E404TS-W40G</a>	\$7,751	N1B	1047	1.25	115	95.4	31.100	230/460	34
		1800	404/5T	<a href="#">100180T3E404T-W40G</a>	\$8,341	N1B	1064	1.25	115	95.4	34.100	230/460	34
		1800	404/5T	<a href="#">100180T3H404T-W40G</a>	\$8,341	N1B	1070	1.25	92.0	95.4	34.100	575	34
		1200	444/5T	<a href="#">100120T3E444T-W40G</a>	\$13,463	N1B	1403	1.25	127	95.0	38.108	230/460	34;51
125	90	3600	404/5TS	<a href="#">125360T3E404TS-W40G</a>	\$10,026	N1B	955	1.25	136	94.1	31.100	230/460	34;51
		1800	404/5T	<a href="#">125180T3E405T-W40G</a>	\$9,181	N1B	1156	1.25	138	95.4	34.100	230/460	34;51
		1800	404/5TC	<a href="#">125180T3E405TC-W40G</a>	\$9,627	N1B	1156	1.25	138	95.4	34.100	230/460	34
		1800	404/5T	<a href="#">125180T3H405T-W40G</a>	\$9,181	N1B	1156	1.25	110	95.4	34.100	575	34;51
		1200	444/5T	<a href="#">125120T3G445T-W40G</a>	\$14,353	N1B	1497	1.25	154	95.0	38.108	460	34;51
150	110	3600	404/5TS	<a href="#">150360T3G405TS-W40G</a>	\$12,616	N1B	1004	1.25	167	94.1	31.100	460	34;51

\* To be discontinued and replaced by W40 model once inventory is depleted.

Please refer to back cover for description of "NOTES"

For detailed specifications, data sheets, drawings and performance curves visit <http://www.weg.net>

Data subject to change without notice.

Can't find what you are looking for? Call 1-800-ASK-4WEG (275-4934)

A-67

## IEEE 841 - THREE PHASE TEFC - NEMA Premium®

WEG's IEEE 841 motors are specially suited for Pulp & Paper mills, Steel mills, Petrochemical Plants and diverse demanding applications requiring severe duty long life motors.

WEG's W22 cast iron platform has an improved cooling system and solid feet for cooler operation and reduced vibration and noise extending the life of the motor.

### Standard Features:

- Class F insulation (Impregnation Resin and magnet wire are class H)
- F1 Mounted (F2 convertible). Frames 447T and up can easily be F2 converted by simply rotating the terminal box adapter
- Stainless Steel Nameplate - Laser etched with high contrast background
- All frames with regreasable ball bearings
- Class I, Div. 2, Groups A, B, C & D – T3

### \*Inverter Rated:

**1000:1 for variable torque**

**20:1 for constant torque**

*\* Frame 586/7 250HP and up 6:1 CT and 1000:1 VT*

*\* Insulated bearing housing on the NDE standard on L447/9T and above*



### Features that make a difference:

- 1.25 Service Factor up to 100 HP
- InproSeal Bearing Isolators both ends
- Bearing protection meets IP56
- Rubber lead separator between terminal box and frame
- Vibration: 0.04 inches per second or less
- Guaranteed foot flatness to within 0.005"
- Bearing life 50,000 hours (L-10)
- Epoxy Paint system exceeds 250hrs Salt Spray test
- Interior surfaces are epoxy coated
- Non-sparking fan
- NPT Threaded terminal box
- Seamless copper lead lugs
- Seamless Stainless Steel grease extension tubes
- Automatic grease relief fittings
- IEEE 841 Link to Test Report in conduit box
- Suitable for IEEE45 and USCG 259 – Marine Duty



Please refer to back cover for description of "NOTES"

For detailed specifications, data sheets, drawings and performance curves visit <http://www.weg.net>



# Three-Phase General Purpose Motors

IEEE 841 - Three-Phase

## TEFC - Foot Mount

Three-Phase  
General Purpose  
Motors

HP	kW	RPM	Frame	Catalog Number	List Price	Mult. Symbol	Approx. Shipping Weight (lbs)	Service Factor	FL Amps @ High	FL. Eff (%)	"C" Dimension (in)	Voltage (V)	Notes
1	0.75	1800	143/5T	<a href="#">00118ST3QIE143T-W22</a>	<b>\$922</b>	I1	58	1.25	1.47	85.5	13.358	460	
		1800	143/5T	<a href="#">00118ST3HIE143T-W22</a>	<b>\$922</b>	I1	58	1.25	1.18	85.5	13.358	575	
		1200	143/5T	<a href="#">00112ST3QIE145T-W22</a>	<b>\$1,062</b>	I1	66	1.25	1.73	82.5	13.358	460	
		1200	143/5T	<a href="#">00112ST3HIE145T-W22</a>	<b>\$1,062</b>	I1	66	1.25	1.38	82.5	13.358	575	
		900	182/4T	<a href="#">00109ST3QIE182T-W22</a>	<b>\$2,006</b>	I1	97	1.25	2.30	78.5	15.860	460	
1.5	1.1	3600	143/5T	<a href="#">00156ST3QIE143T-W22</a>	<b>\$981</b>	I1	59	1.25	1.96	84.0	13.358	460	
		3600	143/5T	<a href="#">00156ST3HIE143T-W22</a>	<b>\$981</b>	I1	43	1.25	1.57	84.0	13.358	575	
		1800	143/5T	<a href="#">00158ST3QIE145T-W22</a>	<b>\$981</b>	I1	63	1.25	2.02	86.5	13.358	460	
		1800	143/5T	<a href="#">00158ST3HIE145T-W22</a>	<b>\$981</b>	I1	63	1.25	1.62	86.5	13.358	575	
		1200	182/4T	<a href="#">00152ST3QIE182T-W22</a>	<b>\$1,286</b>	I1	108	1.25	2.54	87.5	15.860	460	
		1200	182/4T	<a href="#">00152ST3HIE182T-W22</a>	<b>\$1,286</b>	I1	74	1.25	2.03	87.5	15.860	575	
		900	182/4T	<a href="#">00159ST3QIE184T-W22</a>	<b>\$2,016</b>	I1	112	1.25	2.70	82.5	15.860	460	
2	1.5	3600	143/5T	<a href="#">00236ST3QIE145T-W22</a>	<b>\$1,023</b>	I1	64	1.25	2.56	85.5	13.358	460	
		3600	143/5T	<a href="#">00236ST3HIE145T-W22</a>	<b>\$1,023</b>	I1	64	1.25	2.05	85.5	13.358	575	
		1800	143/5T	<a href="#">00218ST3QIE145T-W22</a>	<b>\$1,023</b>	I1	64	1.25	2.76	86.5	13.358	460	
		1800	143/5T	<a href="#">00218ST3HIE145T-W22</a>	<b>\$1,023</b>	I1	64	1.25	2.21	86.5	13.358	575	
		1200	182/4T	<a href="#">00212ST3QIE184T-W22</a>	<b>\$1,363</b>	I1	113	1.25	3.22	88.5	15.860	460	
		1200	182/4T	<a href="#">00212ST3HIE184T-W22</a>	<b>\$1,363</b>	I1	114	1.25	2.58	88.5	15.860	575	39
		900	213/5T	<a href="#">00209ST3QIE213T-W22</a>	<b>\$2,701</b>	I1	154	1.25	3.39	85.5	19.517	460	
3	2.2	3600	182/4T	<a href="#">00336ST3QIE182T-W22</a>	<b>\$1,267</b>	I1	109	1.25	3.63	86.5	15.860	460	
		3600	182/4T	<a href="#">00336ST3HIE182T-W22</a>	<b>\$1,267</b>	I1	108	1.25	2.90	86.5	15.860	575	
		1800	182/4T	<a href="#">00318ST3QIE182T-W22</a>	<b>\$1,224</b>	I1	106	1.25	3.91	89.5	15.860	460	
		1800	182/4T	<a href="#">00318ST3HIE182T-W22</a>	<b>\$1,224</b>	I1	104	1.25	3.13	89.5	15.860	575	
		1200	213/5T	<a href="#">00312ST3QIE213T-W22</a>	<b>\$1,537</b>	I1	173	1.25	4.41	89.5	19.517	460	
		1200	213/5T	<a href="#">00312ST3HIE213T-W22</a>	<b>\$1,537</b>	I1	173	1.25	3.53	89.5	19.517	575	
		900	213/5T	<a href="#">00309ST3QIE215T-W22</a>	<b>\$2,883</b>	I1	199	1.25	4.55	85.5	19.517	460	
5	3.7	3600	182/4T	<a href="#">00536ST3QIE184T-W22</a>	<b>\$1,429</b>	I1	116	1.25	5.90	88.5	15.860	460	
		3600	182/4T	<a href="#">00536ST3HIE184T-W22</a>	<b>\$1,429</b>	I1	116	1.25	4.72	88.5	15.860	575	
		1800	182/4T	<a href="#">00518ST3QIE184T-W22</a>	<b>\$1,371</b>	I1	115	1.25	6.45	89.5	15.860	460	
		1800	182/4T	<a href="#">00518ST3HIE184T-W22</a>	<b>\$1,371</b>	I1	115	1.25	5.16	89.5	15.860	575	
		1200	213/5T	<a href="#">00512ST3QIE215T-W22</a>	<b>\$1,901</b>	I1	191	1.25	6.83	89.5	19.517	460	
		1200	213/5T	<a href="#">00512ST3HIE215T-W22</a>	<b>\$1,901</b>	I1	191	1.25	5.46	89.5	19.517	575	
		900	254/6T	<a href="#">00509ST3QIE254T-W22</a>	<b>\$4,243</b>	I1	306	1.25	7.58	87.5	24.945	460	
7.5	5.5	3600	213/5T	<a href="#">00736ST3QIE213T-W22</a>	<b>\$1,751</b>	I1	174	1.25	8.76	89.5	19.517	460	
		3600	213/5T	<a href="#">00736ST3HIE213T-W22</a>	<b>\$1,751</b>	I1	173	1.25	7.01	89.5	19.517	575	
		1800	213/5T	<a href="#">00718ST3QIE213T-W22</a>	<b>\$1,646</b>	I1	185	1.25	9.18	91.7	19.517	460	
		1800	213/5T	<a href="#">00718ST3HIE213T-W22</a>	<b>\$1,646</b>	I1	185	1.25	7.34	91.7	19.517	575	
		1200	254/6T	<a href="#">00712ST3QIE254T-W22</a>	<b>\$2,544</b>	I1	322	1.25	9.48	91.0	24.945	460	
		1200	254/6T	<a href="#">00712ST3HIE254T-W22</a>	<b>\$2,544</b>	I1	299	1.25	7.58	91.0	24.945	575	
		900	254/6T	<a href="#">00709ST3QIE256T-W22</a>	<b>\$5,040</b>	I1	321	1.25	11.1	87.5	24.945	460	

continued on next page

Please refer to back cover for description of "NOTES"

For detailed specifications, data sheets, drawings and performance curves visit <http://www.weg.net>

Data subject to change without notice.

Can't find what you are looking for? Call 1-800-ASK-4WEG (275-4934)

A-69

# Three-Phase General Purpose Motors



## IEEE 841 - Three-Phase TEFC - Foot Mount - *continued*

Three-Phase  
General Purpose  
Motors

HP	KW	RPM	Frame	Catalog Number	List Price	Mult. Symbol	Approx. Shipping Weight (lbs)	Service Factor	FL Amps @ High	FL Eff (%)	"C" Dimension (in)	Voltage (V)	Notes
10	7.5	3600	213/5T	<a href="#">01036ST3QIE215T-W22</a>	\$1,920	I1	191	1.25	11.6	90.2	19.517	460	
		3600	213/5T	<a href="#">01036ST3HIE215T-W22</a>	\$1,920	I1	191	1.25	9.28	90.2	19.517	575	
		1800	213/5T	<a href="#">01018ST3QIE215T-W22</a>	\$1,760	I1	188	1.25	12.4	91.7	19.517	460	
		1800	213/5T	<a href="#">01018ST3HIE215T-W22</a>	\$1,760	I1	199	1.25	9.92	91.7	19.517	575	
		1200	254/6T	<a href="#">01012ST3QIE256T-W22</a>	\$2,834	I1	329	1.25	12.9	91.0	24.945	460	
		1200	254/6T	<a href="#">01012ST3HIE256T-W22</a>	\$2,834	I1	329	1.25	10.3	91.0	24.945	575	
		900	284/6T	<a href="#">01009ST3QIE284T-W22</a>	\$5,936	I1	380	1.25	13.4	90.2	27.929	460	
15	11	3600	254/6T	<a href="#">01536ST3QIE254T-W22</a>	\$2,428	I1	303	1.25	17.2	91.0	24.945	460	
		3600	254/6T	<a href="#">01536ST3HIE254T-W22</a>	\$2,428	I1	303	1.25	13.8	91.0	24.945	575	
		1800	254/6T	<a href="#">01518ST3QIE254T-W22</a>	\$2,257	I1	341	1.25	18.0	92.4	24.945	460	
		1800	254/6T	<a href="#">01518ST3HIE254T-W22</a>	\$2,257	I1	351	1.25	14.4	92.4	24.945	575	
		1200	284/6T	<a href="#">01512ST3QIE284T-W22</a>	\$4,203	I1	430	1.25	17.9	91.7	27.929	460	
		1200	284/6T	<a href="#">01512ST3HIE284T-W22</a>	\$4,203	I1	425	1.25	14.3	91.7	27.929	575	
		900	284/6T	<a href="#">01509ST3QIE286T-W22</a>	\$6,742	I1	437	1.25	19.4	90.2	27.929	460	
20	15	3600	254/6T	<a href="#">02036ST3QIE256T-W22</a>	\$2,957	I1	329	1.25	23.2	91.0	24.945	460	
		3600	254/6T	<a href="#">02036ST3HIE256T-W22</a>	\$2,957	I1	328	1.25	18.6	91.0	24.945	575	
		1800	254/6T	<a href="#">02018ST3QIE256T-W22</a>	\$2,597	I1	385	1.25	24.1	93.0	24.945	460	
		1800	254/6T	<a href="#">02018ST3HIE256T-W22</a>	\$2,597	I1	400	1.25	19.3	93.0	24.945	575	
		1200	284/6T	<a href="#">02012ST3QIE286T-W22</a>	\$4,773	I1	456	1.25	24.2	91.7	27.929	460	
		1200	284/6T	<a href="#">02012ST3HIE286T-W22</a>	\$4,773	I1	456	1.25	19.4	91.7	27.929	575	
		900	324/6T	<a href="#">02009ST3QIE324T-W22</a>	\$8,269	I1	551	1.25	28.3	91.0	31.116	460	
25	18.5	3600	284/6TS	<a href="#">02536ST3QIE284TS-W22</a>	\$3,368	I1	413	1.25	28.5	91.7	26.557	460	
		3600	284/6TS	<a href="#">02536ST3HIE284TS-W22</a>	\$3,368	I1	403	1.25	22.8	91.7	26.557	575	
		1800	284/6T	<a href="#">02518ST3QIE284T-W22</a>	\$2,926	I1	448	1.25	29.5	93.6	27.929	460	
		1800	284/6T	<a href="#">02518ST3HIE284T-W22</a>	\$2,926	I1	447	1.25	23.6	93.6	27.929	575	
		1200	324/6T	<a href="#">02512ST3QIE324T-W22</a>	\$5,211	I1	588	1.25	30.4	93.0	31.116	460	
		1200	324/6T	<a href="#">02512ST3HIE324T-W22</a>	\$5,211	I1	587	1.25	24.3	93.0	31.116	575	
		900	324/6T	<a href="#">02509ST3QIE326T-W22</a>	\$8,838	I1	596	1.25	35.9	91.0	31.116	460	
30	22	3600	284/6TS	<a href="#">03036ST3QIE286TS-W22</a>	\$3,799	I1	433	1.25	33.8	91.7	26.557	460	
		3600	284/6TS	<a href="#">03036ST3HIE286TS-W22</a>	\$3,799	I1	433	1.25	27.0	91.7	26.557	575	
		1800	284/6T	<a href="#">03018ST3QIE286T-W22</a>	\$3,509	I1	454	1.25	35.1	93.6	27.929	460	
		1800	284/6T	<a href="#">03018ST3HIE286T-W22</a>	\$3,509	I1	484	1.25	28.1	93.6	27.929	575	
		1200	324/6T	<a href="#">03012ST3QIE326T-W22</a>	\$5,359	I1	633	1.25	35.8	93.0	31.116	460	
		1200	324/6T	<a href="#">03012ST3HIE326T-W22</a>	\$5,359	I1	632	1.25	28.6	93.0	31.116	575	
		900	364/5T	<a href="#">03009ST3QIE364T-W22</a>	\$13,149	I1	900	1.25	37.0	92.4	34.251	460	
40	30	3600	324/6TS	<a href="#">04036ST3QIE324TS-W22</a>	\$5,306	I1	591	1.25	45.8	92.4	29.616	460	
		3600	324/6TS	<a href="#">04036ST3HIE324TS-W22</a>	\$5,306	I1	591	1.25	36.6	92.4	29.616	575	
		1800	324/6T	<a href="#">04018ST3QIE324T-W22</a>	\$4,692	I1	590	1.25	47.1	94.1	31.116	460	
		1800	324/6T	<a href="#">04018ST3HIE324T-W22</a>	\$4,692	I1	617	1.25	37.7	94.1	31.116	575	
		1200	364/5T	<a href="#">04012ST3QIE364T-W22</a>	\$8,636	I1	1007	1.25	46.5	94.1	34.251	460	
		1200	364/5T	<a href="#">04012ST3HIE364T-W22</a>	\$8,636	I1	1003	1.25	37.2	94.1	34.251	575	
		900	364/5T	<a href="#">04009ST3QIE365T-W22</a>	\$14,909	I1	955	1.25	50.3	92.4	34.251	460	

*continued on next page*

Please refer to back cover for description of "NOTES"

For detailed specifications, data sheets, drawings and performance curves visit <http://www.weg.net>



### TEFC - Foot Mount - continued

HP	kW	RPM	Frame	Catalog Number	List Price	Mult. Symbol	Approx. Shipping Weight (lbs)	Service Factor	FL Amps @ High	FL. Eff (%)	"C" Dimension (in)	Voltage (V)	Notes
50	37	3600	324/6TS	<a href="#">05036ST3QIE326TS-W22</a>	\$5,970	1I	613	1.25	56.1	93.0	29.616	460	
		3600	324/6TS	<a href="#">05036ST3HIE326TS-W22</a>	\$5,970	1I	612	1.25	44.9	93.0	29.616	575	
		1800	324/6T	<a href="#">05018ST3QIE326T-W22</a>	\$5,233	1I	610	1.25	59.2	94.5	31.116	460	
		1800	324/6T	<a href="#">05018ST3HIE326T-W22</a>	\$5,233	1I	636	1.25	47.4	94.5	31.116	575	
		1200	364/5T	<a href="#">05012ST3QIE365T-W22</a>	\$9,369	1I	1022	1.25	57.4	94.1	34.251	460	
		1200	364/5T	<a href="#">05012ST3HIE365T-W22</a>	\$9,369	1I	1019	1.25	45.9	94.1	34.251	575	
		900	404/5T	<a href="#">05009ST3QIE404T-W22</a>	\$19,331	1I	1214	1.25	60.0	93.0	39.730	460	
60	45	3600	364/5TS	<a href="#">06036ST3QIE364TS-W22</a>	\$8,665	1I	965	1.25	67.0	93.6	32.338	460	
		3600	364/5TS	<a href="#">06036ST3HIE364TS-W22</a>	\$8,665	1I	963	1.25	53.6	93.6	32.338	575	
		1800	364/5T	<a href="#">06018ST3QIE364T-W22</a>	\$8,044	1I	957	1.25	68.3	95.0	34.251	460	
		1800	364/5T	<a href="#">06018ST3HIE364T-W22</a>	\$8,044	1I	1030	1.25	54.6	95.0	34.251	575	
		1200	404/5T	<a href="#">06012ST3QIE404T-W22</a>	\$11,790	1I	1253	1.25	69.5	94.5	39.730	460	
		1200	404/5T	<a href="#">06012ST3HIE404T-W22</a>	\$11,790	1I	1249	1.25	55.6	94.5	39.730	575	
		900	404/5T	<a href="#">06009ST3QIE405T-W22</a>	\$22,579	1I	1261	1.25	73.0	93.0	39.730	460	
75	55	3600	364/5TS	<a href="#">07536ST3QIE365TS-W22</a>	\$10,210	1I	1012	1.25	81.9	93.6	32.338	460	
		3600	364/5TS	<a href="#">07536ST3HIE365TS-W22</a>	\$10,210	1I	972	1.25	65.5	93.6	32.338	575	
		1800	364/5T	<a href="#">07518ST3QIE365T-W22</a>	\$9,289	1I	996	1.25	84.1	95.4	34.251	460	
		1800	364/5T	<a href="#">07518ST3QIERB365T-W2</a>	\$10,019	1I	1019	1.25	84.1	95.4	34.251	460	14
		1800	364/5T	<a href="#">07518ST3HIE365T-W22</a>	\$9,289	1I	1045	1.25	67.3	95.4	34.251	575	
		1200	404/5T	<a href="#">07512ST3QIE405T-W22</a>	\$12,866	1I	1317	1.25	84.9	94.5	39.730	460	
		1200	404/5T	<a href="#">07512ST3QIERB405T-W2</a>	\$12,866	1I	1326	1.25	84.9	94.5	39.730	460	14
		1200	404/5T	<a href="#">07512ST3HIE405T-W22</a>	\$12,866	1I	1298	1.25	67.9	94.5	39.730	575	
		900	444/5T	<a href="#">07509ST3QIE444T-W22</a>	\$23,457	1I	1666	1.25	93.0	93.6	44.950	460	
100	75	3600	404/5TS	<a href="#">10036ST3QIE405TS-W22</a>	\$12,806	1I	1182	1.25	110	94.1	36.732	460	
		3600	404/5TS	<a href="#">10036ST3HIE405TS-W22</a>	\$12,806	1I	1191	1.25	88.0	94.1	36.732	575	
		1800	404/5T	<a href="#">10018ST3QIE405T-W22</a>	\$12,471	1I	1276	1.25	116	95.4	39.730	460	
		1800	404/5T	<a href="#">10018ST3QIERB405T-W2</a>	\$12,471	1I	1292	1.25	116	95.4	39.730	460	14
		1800	404/5T	<a href="#">10018ST3HIE405T-W22</a>	\$12,471	1I	1339	1.25	92.8	95.4	39.730	575	
		1800	404/5T	<a href="#">10018ST3HIERB405T-W2</a>	\$12,471	1I	1348	1.25	92.8	95.4	39.730	575	14
		1200	444/5T	<a href="#">10012ST3QIE444T-W22</a>	\$17,933	1I	1800	1.25	121	95.0	44.950	460	
		1200	444/5T	<a href="#">10012ST3QIERB444T-W2</a>	\$17,933	1I	1915	1.25	121	95.0	44.950	460	14
		1200	444/5T	<a href="#">10012ST3HIE444T-W22</a>	\$17,933	1I	1900	1.25	96.8	95.0	44.950	575	
		900	444/5T	<a href="#">10009ST3QIE445T-W22</a>	\$24,681	1I	1944	1.25	127	94.1	44.950	460	
900	444/5T	<a href="#">10009ST3QIERB445T-W2</a>	\$24,681	1I	1763	1.25	127	94.1	44.950	460	14		
125	90	3600	444/5TS	<a href="#">12536ST3QIE444TS-W22</a>	\$18,198	1I	1805	1.15	134	95.0	41.200	460	
		3600	444/5TS	<a href="#">12536ST3HIE444TS-W22</a>	\$18,198	1I	1796	1.15	107	95.0	41.200	575	
		1800	444/5T	<a href="#">12518ST3QIE444T-W22</a>	\$16,564	1I	1708	1.15	139	95.4	44.950	460	
		1800	444/5T	<a href="#">12518ST3QIERB444T-W2</a>	\$16,564	1I	1836	1.15	139	95.4	44.950	460	14
		1800	444/5T	<a href="#">12518ST3HIE444T-W22</a>	\$16,564	1I	1822	1.15	111	95.4	44.950	575	
		1200	444/5T	<a href="#">12512ST3QIE445T-W22</a>	\$20,158	1I	2016	1.15	143	95.0	44.950	460	
		1200	444/5T	<a href="#">12512ST3QIERB445T-W2</a>	\$20,158	1I	2028	1.15	143	95.0	44.950	460	14
		1200	444/5T	<a href="#">12512ST3HIE445T-W22</a>	\$20,158	1I	2013	1.15	114	95.0	44.950	575	
		900	445/7T	<a href="#">12509ST3QIE447T-W22</a>	\$29,733	1I	2239	1.15	151	94.5	48.701	460	
900	445/7T	<a href="#">12509ST3QIERB447T-W2</a>	\$29,733	1I	2273	1.15	151	94.5	48.701	460	14		

continued on next page

Please refer to back cover for description of "NOTES"

For detailed specifications, data sheets, drawings and performance curves visit <http://www.weg.net>

Data subject to change without notice.

Can't find what you are looking for? Call **1-800-ASK-4WEG** (275-4934)

IEEE 841 - Three-Phase

## TEFC - Foot Mount - continued

Three-Phase  
General Purpose  
Motors

HP	kW	RPM	Frame	Catalog Number	List Price	Mult. Symbol	Approx. Shipping Weight (lbs)	Service Factor	FL Amps @ High	FL Eff (%)	"C" Dimension (in)	Voltage (V)	Notes
150	110	3600	444/5TS	<a href="#">15036ST3QIE445TS-W22</a>	\$21,433	I1	1900	1.15	161	95.0	41.200	460	
		3600	444/5TS	<a href="#">15036ST3HIE445TS-W22</a>	\$21,433	I1	1908	1.15	129	95.0	41.200	575	
		1800	444/5T	<a href="#">15018ST3QIE445T-W22</a>	\$18,587	I1	1910	1.15	170	95.8	44.950	460	
		1800	444/5T	<a href="#">15018ST3QIERB445T-W2</a>	\$18,587	I1	2041	1.15	170	95.8	44.950	460	14
		1800	444/5T	<a href="#">15018ST3HIE445T-W22</a>	\$18,587	I1	2027	1.15	136	95.8	44.950	575	
		1800	444/5T	<a href="#">15018ST3HIERB445T-W2</a>	\$18,587	I1	2038	1.15	136	95.8	44.950	575	14
		1200	445/7T	<a href="#">15012ST3QIE447T-W22</a>	\$23,181	I1	2511	1.15	176	95.8	48.701	460	
		1200	445/7T	<a href="#">15012ST3QIERB447T-W2</a>	\$23,181	I1	2543	1.15	176	95.8	48.701	460	14
		1200	445/7T	<a href="#">15012ST3HIE447T-W22</a>	\$23,181	I1	2531	1.15	141	95.8	48.701	575	
		900	445/7T	<a href="#">15009ST3QIE447T-W22</a>	\$34,755	I1	2409	1.15	185	94.5	48.701	460	
900	445/7T	<a href="#">15009ST3QIERB447T-W2</a>	\$34,755	I1	2421	1.15	185	94.5	48.701	460	14,51		
200	150	3600	445/7TS	<a href="#">20036ST3QIE447TS-W22</a>	\$28,568	I1	2240	1.15	219	95.4	44.951	460	
		3600	445/7TS	<a href="#">20036ST3HIE447TS-W22</a>	\$28,568	I1	2209	1.15	175	95.4	44.951	575	
		1800	445/7T	<a href="#">20018ST3QIE447T-W22</a>	\$23,696	I1	2320	1.15	230	96.2	48.701	460	
		1800	445/7T	<a href="#">20018ST3QIERB447T-W2</a>	\$23,696	I1	2520	1.15	230	96.2	48.701	460	14
		1800	445/7T	<a href="#">20018ST3HIE447T-W22</a>	\$23,696	I1	2502	1.15	184	96.2	48.701	575	
		1200	447/9T	<a href="#">20012ST3QIE449T-W22</a>	\$27,557	I1	2978	1.15	237	95.8	56.338	460	
		1200	447/9T	<a href="#">20012ST3QIERB449T-W2</a>	\$27,557	I1	3052	1.15	237	95.8	56.338	460	14
		1200	447/9T	<a href="#">20012ST3HIE449T-W22</a>	\$27,577	I1	3030	1.15	190	95.8	56.338	575	
		1200	447/9T	<a href="#">20012ST3HIERB449T-W2</a>	\$27,557	I1	3046	1.15	190	95.8	56.338	575	14
		900	L447/9T	<a href="#">20009ST3QIE449T-W22</a>	\$57,394	I1	3655	1.15	242	95.0	57.181	460	43
900	L447/9T	<a href="#">20009ST3QIERB449T-W2</a>	\$57,394	I1	3669	1.15	242	95.0	57.181	460	14,43		
900	L447/9T	<a href="#">20009ST3HIE449T-W22</a>	\$57,394	I1	3569	1.15	194	95.0	57.181	575	43		
250	185	3600	447/9TS	<a href="#">25036ST3QIE449TS-W22</a>	\$34,663	I1	2603	1.15	266	95.8	52.940	460	
		1800	447/9T	<a href="#">25018ST3QIE449T-W22</a>	\$30,081	I1	2904	1.15	281	96.2	56.338	460	
		1800	447/9T	<a href="#">25018ST3QIERB449T-W2</a>	\$30,081	I1	2869	1.15	281	96.2	56.338	460	14
		1200	447/9T	<a href="#">25012ST3QIE449T-W22</a>	\$39,415	I1	3190	1.15	292	95.8	56.338	460	
		1200	447/9T	<a href="#">25012ST3QIERB449T-W2</a>	\$39,415	I1	2702	1.15	292	95.8	56.338	460	14
300	220	1800	447/9T	<a href="#">30018ST3QIE449T-W22</a>	\$36,810	I1	3102	1.15	330	96.2	56.338	460	
		1800	447/9T	<a href="#">30018ST3QIERB449T-W2</a>	\$36,810	I1	3130	1.15	330	96.2	56.338	460	14
		1200	L447/9T	<a href="#">30012ST3QIE449T-W22</a>	\$44,648	I1	3645	1.15	351	95.8	57.181	460	43
		1200	L447/9T	<a href="#">30012ST3QIERB449T-W2</a>	\$44,648	I1	3571	1.15	351	95.8	57.181	460	14,43
350	260	1800	L447/9T	<a href="#">35018ST3QIE449T-W22</a>	\$44,105	I1	3580	1.15	394	96.2	57.181	460	43
		1800	L447/9T	<a href="#">35018ST3QIERB449T-W2</a>	\$44,105	I1	3580	1.15	394	96.2	57.181	460	14,43
		1200	L447/9T	<a href="#">35012ST3QIE449T-W22</a>	\$52,634	I1	3824	1.15	415	95.8	57.181	460	43, 37
		1200	L447/9T	<a href="#">35012ST3QIERB449T-W2</a>	\$52,634	I1	3756	1.15	415	95.8	57.181	460	14,43
400	300	1800	L447/9T	<a href="#">40018ST3QIE449T-W22</a>	\$48,396	I1	3467	1.15	455	96.2	57.181	460	43
		1800	L447/9T	<a href="#">40018ST3QIERB449T-W2</a>	\$48,396	I1	3467	1.15	455	96.2	57.181	460	14,43

Please refer to back cover for description of "NOTES"

For detailed specifications, data sheets, drawings and performance curves visit <http://www.weg.net>





## TEFC - C-Face - Foot Mount

HP	kW	RPM	Frame	Catalog Number	List Price	Mult. Symbol	Approx. Shipping Weight (lbs)	Service Factor	FL Amps @ High	FL. Eff (%)	"C" Dimension (in)	Voltage (V)	Notes
1	0.75	1800	143/5TC	<a href="#">00118ST3QIE143TC-W22</a>	\$972	I1	55	1.25	1.47	85.5	13.358	460	
		1200	143/5TC	<a href="#">00112ST3QIE145TC-W22</a>	\$1,112	I1	63	1.25	1.73	82.5	13.358	460	
1.5	1.1	3600	143/5TC	<a href="#">00156ST3QIE143TC-W22</a>	\$1,031	I1	57	1.25	1.96	84.0	13.358	460	
		1800	143/5TC	<a href="#">00158ST3QIE145TC-W22</a>	\$1,031	I1	61	1.25	2.02	86.5	13.358	460	
		1200	182/4TC	<a href="#">00152ST3QIE182TC-W22</a>	\$1,351	I1	112	1.25	2.54	87.5	15.860	460	
		900	182/4TC	<a href="#">00159ST3QIE184TC-W22</a>	\$2,081	I1	116	1.25	2.70	82.5	15.860	460	
2	1.5	3600	143/5TC	<a href="#">00236ST3QIE145TC-W22</a>	\$1,073	I1	62	1.25	2.56	85.5	13.358	460	
		1800	143/5TC	<a href="#">00218ST3QIE145TC-W22</a>	\$1,073	I1	62	1.25	2.76	86.5	13.358	460	
		1200	182/4TC	<a href="#">00212ST3QIE184TC-W22</a>	\$1,428	I1	117	1.25	3.22	88.5	15.860	460	
		900	213/5TC	<a href="#">00209ST3QIE213TC-W22</a>	\$2,781	I1	185	1.25	3.39	85.5	19.517	460	
3	2.2	3600	182/4TC	<a href="#">00336ST3QIE182TC-W22</a>	\$1,332	I1	113	1.25	3.63	86.5	15.860	460	
		1800	182/4TC	<a href="#">00318ST3QIE182TC-W22</a>	\$1,289	I1	109	1.25	3.91	89.5	15.860	460	
		1200	213/5TC	<a href="#">00312ST3QIE213TC-W22</a>	\$1,617	I1	178	1.25	4.41	89.5	19.517	460	
		900	213/5TC	<a href="#">00309ST3QIE215TC-W22</a>	\$2,963	I1	181	1.25	4.55	85.5	19.517	460	
5	3.7	3600	182/4TC	<a href="#">00536ST3QIE184TC-W22</a>	\$1,494	I1	120	1.25	5.90	88.5	15.860	460	
		1800	182/4TC	<a href="#">00518ST3QIE184TC-W22</a>	\$1,436	I1	119	1.25	6.45	89.5	15.860	460	
		1200	213/5TC	<a href="#">00512ST3QIE215TC-W22</a>	\$1,981	I1	194	1.25	6.83	89.5	19.517	460	
		900	254/6TC	<a href="#">00509ST3QIE254TC-W22</a>	\$4,363	I1	309	1.25	7.58	87.5	24.945	460	
7.5	5.5	3600	213/5TC	<a href="#">00736ST3QIE213TC-W22</a>	\$1,831	I1	177	1.25	8.76	89.5	19.517	460	
		1800	213/5TC	<a href="#">00718ST3QIE213TC-W22</a>	\$1,726	I1	189	1.25	9.18	91.7	19.517	460	
		1200	254/6TC	<a href="#">00712ST3QIE254TC-W22</a>	\$2,664	I1	325	1.25	9.48	91.0	24.945	460	
		900	254/6TC	<a href="#">00709ST3QIE256TC-W22</a>	\$5,160	I1	321	1.25	11.1	87.5	24.945	460	
10	7.5	3600	213/5TC	<a href="#">01036ST3QIE215TC-W22</a>	\$2,000	I1	195	1.25	11.6	90.2	19.517	460	
		1800	213/5TC	<a href="#">01018ST3QIE215TC-W22</a>	\$1,840	I1	203	1.25	12.4	91.7	19.517	460	
		1200	254/6TC	<a href="#">01012ST3QIE256TC-W22</a>	\$2,954	I1	340	1.25	12.9	91.0	24.945	460	
		900	284/6TC	<a href="#">01009ST3QIE284TC-W22</a>	\$6,136	I1	400	1.25	13.4	90.2	27.929	460	
15	11	3600	254/6TC	<a href="#">01536ST3QIE254TC-W22</a>	\$2,548	I1	306	1.25	17.2	91.0	24.945	460	
		1800	254/6TC	<a href="#">01518ST3QIE254TC-W22</a>	\$2,377	I1	355	1.25	18.0	92.4	24.945	460	
		1200	284/6TC	<a href="#">01512ST3QIE284TC-W22</a>	\$4,403	I1	434	1.25	17.9	91.7	27.929	460	
		900	284/6TC	<a href="#">01509ST3QIE286TC-W22</a>	\$6,942	I1	444	1.25	19.4	90.2	27.929	460	
20	15	3600	254/6TC	<a href="#">02036ST3QIE256TC-W22</a>	\$3,077	I1	332	1.25	23.2	91.0	24.945	460	
		1800	254/6TC	<a href="#">02018ST3QIE256TC-W22</a>	\$2,717	I1	404	1.25	24.1	93.0	24.945	460	
		1200	284/6TC	<a href="#">02012ST3QIE286TC-W22</a>	\$4,973	I1	465	1.25	24.2	91.7	27.929	460	
		900	324/6TC	<a href="#">02009ST3QIE324TC-W22</a>	\$8,494	I1	482	1.25	28.3	91.0	31.116	460	
25	18.5	3600	284/6TSC	<a href="#">02536ST3QIE284TSC-W2</a>	\$3,568	I1	389	1.25	28.5	91.7	26.557	460	
		1800	284/6TC	<a href="#">02518ST3QIE284TC-W22</a>	\$3,126	I1	456	1.25	29.5	93.6	27.929	460	
		1200	324/6TC	<a href="#">02512ST3QIE324TC-W22</a>	\$5,436	I1	603	1.25	30.4	93.0	31.116	460	
		900	324/6TC	<a href="#">02509ST3QIE326TC-W22</a>	\$9,063	I1	539	1.25	35.9	91.0	31.116	460	
30	22	3600	284/6TSC	<a href="#">03036ST3QIE286TSC-W2</a>	\$3,999	I1	441	1.25	33.8	91.7	26.557	460	
		1800	284/6TC	<a href="#">03018ST3QIE286TC-W22</a>	\$3,709	I1	493	1.25	35.1	93.6	27.929	460	
		1200	324/6TC	<a href="#">03012ST3QIE326TC-W22</a>	\$5,584	I1	646	1.25	35.8	93.0	31.116	460	
		900	364/5TC	<a href="#">03009ST3QIE364TC-W22</a>	\$13,524	I1	917	1.25	37.0	92.4	34.251	460	

continued on next page

Three-Phase  
General Purpose  
Motors

Please refer to back cover for description of "NOTES"

For detailed specifications, data sheets, drawings and performance curves visit <http://www.weg.net>

Data subject to change without notice.

# Three-Phase General Purpose Motors



IEEE 841 - Three-Phase

## TEFC - C-Face - Foot Mount - *continued*

Three-Phase  
General Purpose  
Motors

HP	kW	RPM	Frame	Catalog Number	List Price	Mult. Symbol	Approx. Shipping Weight (lbs)	Service Factor	FL Amps @ High	FL. Eff (%)	"C" Dimension (in)	Voltage (V)	Notes
40	30	3600	324/6TSC	<a href="#">04036ST3QIE324TSC-W2</a>	\$5,531	I1	602	1.25	45.8	92.4	29.616	460	
		1800	324/6TC	<a href="#">04018ST3QIE324TC-W22</a>	\$4,917	I1	633	1.25	47.1	94.1	31.116	460	
		1200	364/5TC	<a href="#">04012ST3QIE364TC-W22</a>	\$9,011	I1	1032	1.25	46.5	94.1	34.251	460	
		900	364/5TC	<a href="#">04009ST3QIE365TC-W22</a>	\$15,284	I1	990	1.25	50.3	92.4	34.251	460	
50	37	3600	324/6TSC	<a href="#">05036ST3QIE326TSC-W2</a>	\$6,195	I1	627	1.25	56.1	93.0	29.616	460	
		1800	324/6TC	<a href="#">05018ST3QIE326TC-W22</a>	\$5,458	I1	651	1.25	59.2	94.5	31.116	460	
		1200	364/5TC	<a href="#">05012ST3QIE365TC-W22</a>	\$9,744	I1	983	1.25	57.4	94.1	34.251	460	
		900	404/5TC	<a href="#">05009ST3QIE404TC-W22</a>	\$19,856	I1	1132	1.25	60.0	93.0	39.730	460	
60	45	1200	404/5TC	<a href="#">06012ST3QIE404TC-W22</a>	\$12,315	I1	1156	1.25	69.5	94.5	39.730	460	



## TEFC - C-Face - Footless

HP	kW	RPM	Frame	Catalog Number	List Price	Mult. Symbol	Approx. Shipping Weight (lbs)	Service Factor	FL Amps @ High	FL. Eff (%)	"C" Dimension (in)	Voltage (V)	Notes
1	0.75	1800	143/5TC	<a href="#">00118ST3QIER143TC-W2</a>	\$1,000	I1	54	1.25	1.47	85.5	14.066	460	15
1.5	1.1	1800	143/5TC	<a href="#">00158ST3QIER145TC-W2</a>	\$1,061	I1	62	1.25	2.02	86.5	14.066	460	15
2	1.5	1800	143/5TC	<a href="#">00218ST3QIER145TC-W2</a>	\$1,104	I1	63	1.25	2.76	86.5	14.066	460	15
3	2.2	1800	182/4TC	<a href="#">00318ST3QIER182TC-W2</a>	\$1,326	I1	110	1.25	3.91	89.5	17.080	460	15,39
5	3.7	1800	182/4TC	<a href="#">00518ST3QIER184TC-W2</a>	\$1,478	I1	119	1.25	6.45	89.5	17.080	460	15
7.5	5.5	1800	213/5TC	<a href="#">00718ST3QIER213TC-W2</a>	\$1,776	I1	177	1.25	9.18	91.7	21.269	460	15
10	7.5	1800	213/5TC	<a href="#">01018ST3QIER215TC-W2</a>	\$1,893	I1	192	1.25	12.4	91.7	21.269	460	15

Please refer to back cover for description of "NOTES"

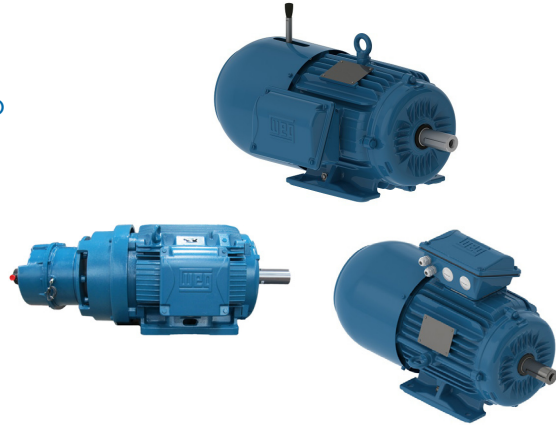
For detailed specifications, data sheets, drawings and performance curves visit <http://www.weg.net>

# Three-Phase General Purpose Motors

## BRAKE MOTORS

### TEFC - Three-Phase - NEMA Premium®

WEG W22 brake motors consist of an induction motor coupled to a disc brake. Brake is of sturdy construction with few moving parts which guarantees long durability and minimum maintenance.



### Standard Features:

- Class F insulation (Impregnation Resin and Magnet wire are class H)
- 230V Brake Rectifier
- F1 Mounted
- Stainless Steel Nameplate - Laser etched with high contrast background
- Regreasable ball bearings (Frames 254T and up)
- 60HZ - 50HZ available with custom build

Note: If separate power supply to the Brake is required, (Such as on Motors operating with Variable Frequency Drive), 230V to the Brake module is standard.

### Features that make a difference:

- 1.25 Service Factor
- NPT Threaded terminal box
- Armature type brake
- Manual Release

### Inverter Rated:

**1000:1 for variable torque**  
**20:1 for constant torque**

### Optional Feature:

460V brake rectifier is available with motor modification

### Brake Torques

Frame	N.m	lb.ft	Optional lb.ft
143/5T	16	12	17
182/4T	60	44	N/A
213/5T	125	59	92
254/6T	235	111	173
284/6T	400	192	254





## CAST IRON BRAKE MOTORS

### TEFC – Foot Mount

 Three-Phase  
General Purpose  
Motors

HP	kW	RPM	Frame	Catalog Number	List Price	Mult. Symbol	Approx. Shipping Weight (lbs)	Service Factor	FL Amps @ High	FL. Eff (%)	"C" Dimension (in)	Voltage (V)	Notes
1	0.75	1800	143/5T	<a href="#">00118ET3EBM143T-W22</a>	\$1,494	B1	59	1.25	1.47	85.5	16.231	230/460	25
		1800	143/5T	<a href="#">00118ET3HBM143T-W22</a>	\$1,494	B1	62	1.25	1.18	85.5	16.231	575	25
		1200	143/5T	<a href="#">00112ET3EBM145T-W22</a>	\$1,587	B1	66	1.25	1.73	82.5	16.231	230/460	25
		900	182/4T	<a href="#">00109ET3EBM182T-W22</a>	\$2,594	B1	126	1.25	2.30	78.5	19.314	230/460	25
1.5	1.1	3600	143/5T	<a href="#">00156ET3EBM143T-W22</a>	\$1,501	B1	73	1.25	1.96	84.0	16.231	230/460	25
		1800	143/5T	<a href="#">00158ET3EBM145T-W22</a>	\$1,569	B1	65	1.25	2.02	86.5	16.231	230/460	25
		1200	182/4T	<a href="#">00152ET3EBM182T-W22</a>	\$2,264	B1	117	1.25	2.54	87.5	19.314	230/460	25
		900	182/4T	<a href="#">00159ET3EBM184T-W22</a>	\$2,703	B1	156	1.25	2.70	82.5	19.314	230/460	25
2	1.5	3600	143/5T	<a href="#">00236ET3EBM145T-W22</a>	\$1,501	B1	62	1.25	2.56	85.5	16.231	230/460	25
		1800	143/5T	<a href="#">00218ET3EBM145T-W22</a>	\$1,594	B1	66	1.25	2.76	86.5	16.231	230/460	25
		1200	182/4T	<a href="#">00212ET3EBM184T-W22</a>	\$2,369	B1	122	1.25	3.23	88.5	19.314	230/460	25
		900	213/5T	<a href="#">00209ET3EBM213T-W22</a>	\$3,345	B1	217	1.25	3.39	85.5	23.188	230/460	25
3	2.2	3600	182/4T	<a href="#">00336ET3EBM182T-W22</a>	\$2,290	B1	140	1.25	3.63	86.5	19.314	230/460	25
		1800	182/4T	<a href="#">00318ET3EBM182T-W22</a>	\$2,052	B1	115	1.25	3.91	89.5	19.314	230/460	25
		1200	213/5T	<a href="#">00312ET3EBM213T-W22</a>	\$3,220	B1	196	1.25	4.41	89.5	23.188	230/460	25
		900	213/5T	<a href="#">00309ET3EBM215T-W22</a>	\$3,740	B1	259	1.25	4.55	85.5	23.188	230/460	25
5	3.7	3600	182/4T	<a href="#">00536ET3EBM184T-W22</a>	\$2,343	B1	126	1.25	5.90	88.5	19.314	230/460	25
		1800	182/4T	<a href="#">00518ET3EBM184T-W22</a>	\$2,291	B1	124	1.25	6.45	89.5	19.314	230/460	25
		1800	182/4T	<a href="#">00518ET3HBM184T-W22</a>	\$2,291	B1	124	1.25	5.16	89.5	19.314	575	25
		1200	213/5T	<a href="#">00512ET3EBM215T-W22</a>	\$3,406	B1	213	1.25	6.83	89.5	23.188	230/460	25
		900	254/6T	<a href="#">00509ET3EBM254T-W22</a>	\$5,641	B1	358	1.25	7.58	87.5	29.839	230/460	25
7.5	5.5	3600	213/5T	<a href="#">00736ET3EBM213T-W22</a>	\$3,002	B1	200	1.25	8.76	89.5	23.188	230/460	25
		1800	213/5T	<a href="#">00718ET3EBM213T-W22</a>	\$2,903	B1	215	1.25	9.18	91.7	23.188	230/460	25
		1200	254/6T	<a href="#">00712ET3EBM254T-W22</a>	\$5,172	B1	377	1.25	9.48	91.0	29.839	230/460	25
		900	254/6T	<a href="#">00709ET3EBM256T-W22</a>	\$6,415	B1	377	1.25	11.1	87.5	29.839	230/460	25;51
10	7.5	3600	213/5T	<a href="#">01036ET3EBM215T-W22</a>	\$3,492	B1	238	1.25	11.6	90.2	23.188	230/460	25;51
		1800	213/5T	<a href="#">01018ET3EBM215T-W22</a>	\$3,474	B1	221	1.25	12.4	91.7	23.188	230/460	25
		1800	213/5T	<a href="#">01018ET3HBM215T-W22</a>	\$3,474	B1	200	1.25	9.92	91.7	23.188	575	25
		1200	254/6T	<a href="#">01012ET3EBM256T-W22</a>	\$5,759	B1	367	1.25	12.9	91.0	29.839	230/460	25
15	11	3600	254/6T	<a href="#">01536ET3EBM254T-W22</a>	\$4,745	B1	384	1.25	17.2	91.0	29.839	230/460	25
		1800	254/6T	<a href="#">01518ET3EBM254T-W22</a>	\$5,205	B1	407	1.25	18.0	92.4	29.839	230/460	25
		1800	254/6T	<a href="#">01518ET3HBM254T-W22</a>	\$5,205	B1	369	1.25	14.4	92.4	29.839	575	25
20	15	3600	254/6T	<a href="#">02036ET3EBM256T-W22</a>	\$5,768	B1	424	1.25	23.2	91.0	29.839	230/460	25
		1800	254/6T	<a href="#">02018ET3EBM256T-W22</a>	\$5,771	B1	456	1.25	24.1	93.0	29.839	230/460	25
25	18.5	1800	284/6T	<a href="#">02518ET3EBM284T-W22</a>	\$6,796	B1	520	1.25	29.5	93.6	32.976	230/460	25
30	22	1800	284/6T	<a href="#">03018ET3EBM286T-W22</a>	\$7,276	B1	558	1.25	35.1	93.6	32.976	230/460	25

Please refer to back cover for description of "NOTES"

For detailed specifications, data sheets, drawings and performance curves visit <http://www.weg.net>

### Spring-Set brake (Solenoid Actuated)

#### Standard Features:

- 1.15 Service Factor
- Manual Release Lever
- AC brake
- Inverter Rated
- IP55 Enclosure
- Dual Frequency (50/60 Hz)

#### Applications:

- Conveyors
- Door Operators
- Packaging Equipment
- Unit Handling



# Three-Phase General Purpose Motors



## ROLLED STEEL BRAKE MOTORS



Three-Phase  
General Purpose  
Motors

### TEFC - Foot Mount

HP	kW	RPM	Frame	Catalog Number	List Price	Mult Symbol	Approx. Shipping Weight (lbs)	Brake Torque (ft.lb)	FL. Amps @ High	FL. Eff (%)	"C" Dimension (in)	Volts	Notes
0.25	0.18	1800	W56	.2518ES3EBMW56-S	\$928	RSB	24	3	0.50	66.0	14.610	208-230/460	9
0.33	0.25	1800	W56	.3318ES3EBMW56-S	\$977	RSB	26	3	0.66	68.0	14.610	208-230/460	9
0.5	0.37	1800	W56	.5018ES3EBMW56-S	\$1,105	RSB	27	3	1.00	72.0	15.004	208-230/460	9
0.75	0.55	1800	W56	.7518ES3EBMW56-S	\$1,301	RSB	38	6	1.22	75.5	15.397	208-230/460	9
1	0.75	1800	56	00118ET3EBM56-S	\$1,504	RSB	54	6	1.47	85.5	17.835	230/460	9
		1800	143T	00118ET3EBM143T-S	\$1,729	RSB	55	6	1.47	85.5	17.914	230/460	9
1.5	1.1	1800	145T	00158ET3EBM145T-S	\$1,866	RSB	56	10	2.02	86.5	17.914	230/460	9
2	1.5	1800	145T	00218ET3EBM145T-S	\$1,921	RSB	60	10	2.72	86.5	18.307	230/460	9
3	2.2	1800	182T	00318ET3EBM182T-S	\$2,117	RSB	113	15	3.81	89.5	22.992	230/460	9
5	3.7	1800	184T	00518ET3EBM184T-S	\$2,492	RSB	91	25	6.49	89.5	22.992	230/460	9
7.5	5.5	1800	213T	00718ET3EBM213T-S	\$4,563	RSB	151	35	9.07	91.7	26.457	230/460	9
10	7.5	1800	215T	01018ET3EBM215T-S	\$4,989	RSB	165	50	12.2	91.7	26.850	230/460	9
15	11	1800	254T	01518ET3EBM254T-S	\$6,985	RSB	256	75	18.2	92.4	31.220	230/460	9
20	15	1800	256T	02018ET3EBM256T-S	\$9,080	RSB	291	100	24.7	93.0	32.007	230/460	9

Please refer to back cover for description of "NOTES"

For detailed specifications, data sheets, drawings and performance curves visit <http://www.weg.net>



### TEFC - C-Face - Foot Mount

HP	kW	RPM	Frame	Catalog Number	List Price	Mult Symbol	Approx. Shipping Weight (lbs)	Brake Torque (ft.lb)	FL. Amps @ High	FL. Eff (%)	"C" Dimension (in)	Volts	Notes
1	0.75	1800	56C	<a href="#">00118ET3EBM56C-S</a>	\$1,542	RSB	54	6	1.47	85.5	17.835	230/460	9
		1800	143TC	<a href="#">00118ET3EBM143TC-S</a>	\$1,767	RSB	55	6	1.47	85.5	17.914	230/460	9
1.5	1.1	1800	145TC	<a href="#">00158ET3EBM145TC-S</a>	\$1,904	RSB	56	10	2.02	86.5	17.914	230/460	9
2	1.5	1800	145TC	<a href="#">00218ET3EBM145TC-S</a>	\$1,959	RSB	60	10	2.72	86.5	18.307	230/460	9
3	2.2	1800	182TC	<a href="#">00318ET3EBM182TC-S</a>	\$2,189	RSB	113	15	3.81	89.5	22.992	230/460	9
5	3.7	1800	184TC	<a href="#">00518ET3EBM184TC-S</a>	\$2,564	RSB	91	25	6.49	89.5	22.992	230/460	9
7.5	5.5	1800	213TC	<a href="#">00718ET3EBM213TC-S</a>	\$4,702	RSB	151	35	9.07	91.7	26.457	230/460	9
10	7.5	1800	215TC	<a href="#">01018ET3EBM215TC-S</a>	\$5,128	RSB	165	50	12.2	91.7	26.850	230/460	9



### TEFC - C-Face - Footless

HP	kW	RPM	Frame	Catalog Number	List Price	Mult Symbol	Approx. Shipping Weight (lbs)	Brake Torque (ft.lb)	FL. Amps @ High	FL. Eff (%)	"C" Dimension (in)	Volts	Notes
0.25	0.18	1800	W56C	<a href="#">.2518ES3EBMW56CFL-S</a>	\$966	RSB	24	3	0.50	66.0	14.610	208-230/460	9
0.33	0.25	1800	W56C	<a href="#">.3318ES3EBMW56CFL-S</a>	\$1,015	RSB	26	3	0.66	68.0	14.610	208-230/460	9
0.5	0.37	1800	W56C	<a href="#">.5018ES3EBMW56CFL-S</a>	\$1,143	RSB	27	3	1.00	72.0	15.004	208-230/460	9
0.75	0.55	1800	W56C	<a href="#">.7518ES3EBMW56CFL-S</a>	\$1,339	RSB	38	6	1.22	75.5	15.397	208-230/460	9
1	0.75	1800	56C	<a href="#">00118ET3EBM56CFL-S</a>	\$1,542	RSB	54	6	1.47	85.5	18.165	230/460	9
		1800	143TC	<a href="#">00118ET3EBMR143TC-S</a>	\$1,767	RSB	55	6	1.47	85.5	18.244	230/460	9
1.5	1.1	1800	56C	<a href="#">00158ET3EBM56CFL-S</a>	\$1,856	RSB	55	10	2.02	86.5	18.165	115/208-230	9
		1800	145TC	<a href="#">00158ET3EBMR145TC-S</a>	\$1,904	RSB	56	10	2.02	86.5	18.244	230/460	9
2	1.5	1800	56C	<a href="#">00218ET3EBM56CFL-S</a>	\$1,925	RSB	59	10	2.72	86.5	18.559	115/208-230	9
		1800	145TC	<a href="#">00218ET3EBMR145TC-S</a>	\$1,959	RSB	60	10	2.72	86.5	18.637	230/460	9
3	2.2	1800	182TC	<a href="#">00318ET3EBMR182TC-S</a>	\$2,189	RSB	113	15	3.81	89.5	22.858	230/460	9
5	3.7	1800	184TC	<a href="#">00518ET3EBMR184TC-S</a>	\$2,564	RSB	91	25	6.49	89.5	22.992	230/460	9
7.5	5.5	1800	213TC	<a href="#">00718ET3EBMR213TC-S</a>	\$4,702	RSB	151	35	9.07	91.7	26.457	230/460	9
10	7.5	1800	215TC	<a href="#">01018ET3EBMR215TC-S</a>	\$5,128	RSB	165	50	12.2	91.7	26.850	230/460	9

Please refer to back cover for description of "NOTES"

For detailed specifications, data sheets, drawings and performance curves visit <http://www.weg.net>

Data subject to change without notice.

Can't find what you are looking for? Call 1-800-ASK-4WEG (275-4934)



# The Superior Choice for **HEAVY INDUSTRIAL** Applications



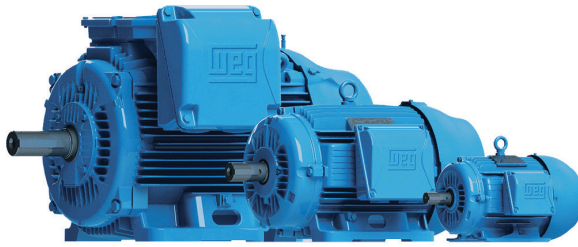
## Low and Medium Voltage Motors and Drives

Large end users demand WEG products by name because they know WEG meets or exceeds the toughest specifications for Heavy Industrial applications.



# Three-Phase General Purpose Motors

## IEC TRU-METRIC™ - Three Phase



W22 Cast Iron



Aluminum

Three-Phase  
General Purpose  
Motors

### TEFC

This line is designed and built according to European IEC34 and IEC79 standards.

#### Standard Features:

- 60 Hz (1.15 Service Factor) and 50 Hz (1.0 Service Factor)
- Class F insulation (Impregnation Resin and Magnet wire are class H)
- F2 mounted as standard (F1 convertible)
- Stainless Steel Nameplate - Laser etched with High contrast background
- Regreasable ball bearings (Frames 160 and up)
- Gasketed conduit box
- Class I, Div. 2, Groups A, B, C & D – T3, Class II, Div 2, Groups F & G – T3C (Cast Iron Frames only)
- Suitable for WYE/Delta Start (W and Y voltage code motors)

#### Features that make a difference:

- 1.25 Service Factor for 60 Hz operation (IE3)
- Optimized ventilation system for cooler operation and lower noise levels
- Solid base for lower vibration levels (Cast Iron Frames)
- Frames 225 and up can easily be F1 (B3L) converted by rotating the terminal box adapter or F3 by removing it
- Aluminum frames have removable feet for easy F1, F2 and F3 (B3L, B3R, B3T) conversion
- Terminal blocks

#### \*Inverter Rated:

**1000:1 for variable torque**

**12:1 for constant torque**

**Excludes 660-690V**

*\* Insulated NDE bearing housing standard on 315L and above*



# Three-Phase General Purpose Motors



IEC TRU-Metric™

## TEFC - Foot Mount

Three-Phase  
General Purpose  
Motors

HP	kW	RPM	Frame	Catalog Number	List Price	Mult. Symbol	Approx. Shipping Weight (lbs)	Service Factor	FL Amps @ High	FL Eff (%)	"C" Dimension (in)	Voltage (V)	Notes
0.25	0.18	3600//3000	63	.1836EP3EAL63-W22	\$280	T1	14	1.15	0.48	68.0	8.504	230/460//190/380	2,7
		1800//1500	63	.1818EP3EAL63-W22	\$267	T1	16	1.15	0.51	69.0	8.504	230/460//190/380	2,7
		1200//1000	71	.1812EP3EAL71-W22	\$338	T1	22	1.15	0.77	61.0	9.764	230/460//190/380	2,7
		900//750	80	.1809EP3EAL80-W22	\$540	T1	30	1.15	0.80	50.5	10.866	230/460//190/380	2,7
		900//750	80	.1809EP3EAL80-W22	\$540	T1	28	1.15	0.80	50.5	10.866	460//220-240/380-415	2,7
0.33	0.25	3600//3000	63	.2536EP3EAL63-W22	\$286	T1	16	1.15	0.62	70.0	8.504	230/460//190/380	2,7
		1800//1500	71	.2518EP3EAL71-W22	\$282	T1	24	1.15	0.68	73.0	9.764	230/460//190/380	2,7
		1200//1000	71	.2512EP3EAL71-W22	\$363	T1	24	1.15	1.00	64.0	9.764	230/460//190/380	2,7
		900//750	80	.2509EP3EAL80-W22	\$583	T1	29	1.15	0.87	57.5	10.866	230/460//190/380	2,7
		900//750	80	.2509EP3EAL80-W22	\$583	T1	32	1.15	0.87	57.5	10.866	460//220-240/380-415	2,7
0.5	0.37	3600//3000	71	.3736EP3EAL71-W22	\$309	T1	22	1.15	0.83	73.0	9.764	230/460//190/380	2,7
		1800//1500	71	.3718EP3EAL71-W22	\$290	T1	24	1.15	1.06	73.0	9.764	230/460//190/380	2,7
		1200//1000	80	.3712EP3EAL80-W22	\$378	T1	27	1.15	1.07	64.0	10.866	230/460//190/380	2,7
		900//750	90S/L	.3709EP3EAL90S-W22	\$662	T1	40	1.15	1.35	61.5	12.953	230/460//190/380	2,7
		900//750	90S/L	.3709EP3EAL90S-W22	\$662	T1	40	1.15	1.35	61.5	12.953	460//220-240/380-415	2,7
0.75	0.55	3600//3000	71	.5536EP3EAL71-W22	\$316	T1	23	1.15	1.14	76.0	9.764	230/460//190/380	2,7
		1800//1500	80	.5518EP3EAL80-W22	\$333	T1	28	1.15	1.25	77.0	10.866	230/460//190/380	2,7
		1200//1000	80	.5512EP3EAL80-W22	\$405	T1	32	1.15	1.63	66.0	10.866	230/460//190/380	2,7
		900//750	90S/L	.5509EP3EAL90S-W22	\$696	T1	46	1.15	2.12	62.5	12.953	230/460//190/380	2,7
		900//750	90S/L	.5509EP3EAL90S-W22	\$696	T1	58	1.15	2.12	62.5	12.953	460//220-240/380-415	2,7
1	0.75	3600//3000	80	.7536ET3EAL80-W22	\$397	T1	27	1.25	1.43	81.5	10.866	460//220-240/380-415	2,7
		1800//1500	90S/L	.7518ET3EAL90S/L-W22	\$420	T1	42	1.25	1.47	85.5	12.953	230/460//190/380	2,7
		1800//1500	90S/L	.7518ET3EAL90S/L-W22	\$420	T1	43	1.25	1.47	85.5	12.953	460//220-240/380-415	2,7
		1200//1000	90S/L	.7512ET3EAL90S-W22	\$537	T1	47	1.25	1.68	82.5	12.953	230/460//190/380	2,7
		1200//1000	90S/L	.7512ET3EAL90S-W22	\$537	T1	51	1.25	1.68	82.5	12.953	460//220-240/380-415	2,7
		900//750	100L	.7509ET3EAL100L-W22	\$869	T1	68	1.25	2.11	75.5	14.803	230/460//190/380	2,7
1.5	1.1	3600//3000	80	00136ET3EAL80-W22	\$444	T1	29	1.25	2.03	84.0	10.866	230/460//190/380	2,7
		3600//3000	80	00136ET3EAL80-W22	\$444	T1	30	1.25	2.03	84.0	10.866	460//220-240/380-415	2,7
		1800//1500	90S/L	00118ET3EAL90S-W22	\$470	T1	44	1.25	2.05	86.5	12.953	230/460//190/380	2,7
		1800//1500	90S/L	00118ET3EAL90S-W22	\$470	T1	44	1.25	2.05	86.5	12.953	460//220-240/380-415	2,7
		1200//1000	100L	00112ET3EAL100L-W22	\$746	T1	80	1.00	2.32	87.5	14.803	230/460//190/380	2,7
2	1.5	3600//3000	90S/L	00156ET3EAL90S-W22	\$504	T1	44	1.25	2.69	85.5	12.953	230/460//190/380	2,7
		3600//3000	90S/L	00156ET3EAL90S-W22	\$504	T1	44	1.25	2.69	85.5	12.953	460//220-240/380-415	2,7
		1800//1500	90S/L	00158ET3EAL90L-W22	\$524	T1	49	1.25	2.79	86.5	12.953	230/460//190/380	2,7
		1800//1500	90S/L	00158ET3EAL90L-W22	\$524	T1	49	1.25	2.79	86.5	12.953	460//220-240/380-415	2,7
		1800//1500	90L	00158ET3EAL90L-W22	\$537	T1	55	1.25	2.83	86.5	12.953	460//220-240/380-415	7
		1200//1000	100L	00152ET3EAL100L-W22	\$812	T1	76	1.25	3.13	88.5	16.535	460//220-240/380-415	2,7
		1200//1000	112M	00152ET3EAL112M-W22	\$923	T1	93	1.25	3.08	88.5	15.472	230/460//190/380	2,7,51
		1200//1000	112M	00152ET3EAL112M-W22	\$923	T1	93	1.25	3.08	88.5	15.472	460//220-240/380-415	2,7,51
3	2.2	900//750	112M	00159ET3EAL112M-W22	\$1,001	T1	90	1.25	3.50	84.0	15.472	460//380-415/660-690	2,7
		3600//3000	90S/L	00236ET3EAL90L-W22	\$756	T1	50	1.25	3.85	86.5	12.953	230/460//190/380	2,7
		3600//3000	90S/L	00236ET3EAL90L-W22	\$756	T1	49	1.25	3.85	86.5	12.953	460//220-240/380-415	2,7
		1800//1500	100L	00218ET3EAL100L-W22	\$630	T1	66	1.25	4.11	89.5	14.803	230/460//190/380	2,7
		1800//1500	100L	00218ET3EAL100L-W22	\$630	T1	66	1.25	4.11	89.5	14.803	460//220-240/380-415	2,7
		1800//1500	100L	00218ET3EAL100L-W22	\$645	T1	78	1.25	4.11	89.5	14.803	460//220-240/380-415	7
		1200//1000	132S	00212ET3EAL132S-W22	\$1,166	T1	131	1.25	4.41	89.5	19.291	230/460//190/380	2,7
		1200//1000	132S	00212ET3EAL132S-W22	\$1,166	T1	136	1.25	4.41	89.5	19.291	460//380-415/660-690	2,7
		900//750	132S	00209ET3EAL132S-W22	\$1,412	T1	145	1.25	4.75	85.5	19.291	460//380-415/660-690	2,7

continued on next page



## TEFC - Foot Mount - continued

Three-Phase  
General Purpose  
Motors

HP	kW	RPM	Frame	Catalog Number	List Price	Mult. Symbol	Approx. Shipping Weight (lbs)	Service Factor	FL Amps @ High	FL Eff (%)	"C" Dimension (in)	Voltage (V)	Notes
4	3	3600//3000	100L	<a href="#">00336ET3EAL100L-W22</a>	\$805	T1	65	1.25	5.01	88.5	14.803	230/460//190/380	2,7
		3600//3000	100L	<a href="#">00336ET3WAL100L-W22</a>	\$805	T1	65	1.25	5.01	88.5	14.803	460//220-240/380-415	2,7
		1800//1500	100L	<a href="#">00318ET3EAL100L-W22</a>	\$672	T1	77	1.25	5.33	89.5	14.803	230/460//190/380	2,7
		1800//1500	100L	<a href="#">00318ET3WAL100L-W22</a>	\$672	T1	77	1.25	5.33	89.5	14.803	460//220-240/380-415	2,7
		1200//1000	132M	<a href="#">00312ET3EAL132M-W22</a>	\$1,247	T1	137	1.25	6.01	89.5	19.291	230/460//190/380	2,7
		1200//1000	132M	<a href="#">00312ET3YAL132M-W22</a>	\$1,247	T1	147	1.25	6.01	89.5	19.291	460//380-415/660-690	2,7
		900//750	132M	<a href="#">00309ET3EAL132M-W22</a>	\$1,610	T1	193	1.25	6.29	85.5	19.291	230/460//190/380	2,7
		900//750	132M	<a href="#">00309ET3YAL132M-W22</a>	\$1,610	T1	156	1.25	6.29	85.5	19.291	460//380-415/660-690	2,7
5.5	4	3600//3000	112M	<a href="#">00436ET3EAL112M-W22</a>	\$874	T1	86	1.25	6.67	88.5	15.472	230/460//190/380	2,7
		3600//3000	112M	<a href="#">00436ET3YAL112M-W22</a>	\$874	T1	86	1.25	6.67	88.5	15.472	460//380-415/660-690	2,7
		1800//1500	112M	<a href="#">00418ET3EAL112M-W22</a>	\$679	T1	93	1.25	7.28	89.5	15.472	230/460//190/380	2,7
		1800//1500	112M	<a href="#">00418ET3YAL112M-W22</a>	\$679	T1	93	1.25	7.28	89.5	15.472	460//380-415/660-690	2,7
		1200//1000	132M	<a href="#">00412ET3EAL132M-W22</a>	\$1,254	T1	147	1.25	7.90	89.5	19.291	230/460//190/380	2,7
		1200//1000	132M	<a href="#">00412ET3YAL132M-W22</a>	\$1,254	T1	147	1.25	7.90	89.5	19.291	460//380-415/660-690	2,7
		900//750	160M	<a href="#">00409ET3Y160M-W22</a>	\$1,947	T1	299	1.25	8.17	86.5	23.543	460//380-415/660-690	7
7.5	5.5	3600//3000	132S	<a href="#">00536ET3EAL132S-W22</a>	\$1,144	T1	136	1.25	8.97	89.5	19.291	230/460//190/380	2,7
		3600//3000	132S	<a href="#">00536ET3YAL132S-W22</a>	\$1,144	T1	136	1.25	8.97	89.5	19.291	460//380-415/660-690	2,7
		1800//1500	132S	<a href="#">00518ET3EAL132S-W22</a>	\$932	T1	142	1.25	9.07	91.7	19.291	230/460//190/380	2,7
		1800//1500	132S	<a href="#">00518ET3YAL132S-W22</a>	\$932	T1	142	1.25	9.07	91.7	19.291	460//380-415/660-690	2,7
		1800//1500	132S	<a href="#">00518ET3Y132S-W22</a>	\$953	T1	161	1.25	9.07	91.7	19.291	460//380-415	7
		1200//1000	132M/L	<a href="#">00512ET3Y132M/L-W22</a>	\$1,760	T1	206	1.25	10.8	91.0	20.276	460//380-415/660-690	7
		900//750	160M	<a href="#">00509ET3Y160M-W22</a>	\$2,244	T1	306	1.25	11.1	87.5	23.543	460//380-415/660-690	7
10	7.5	3600//3000	132S	<a href="#">00736ET3EAL132S-W22</a>	\$1,292	T1	148	1.25	12.3	90.2	19.291	230/460//190/380	2,7
		3600//3000	132S	<a href="#">00736ET3YAL132S-W22</a>	\$1,292	T1	147	1.25	12.3	90.2	19.291	460//380-415/660-690	2,7
		1800//1500	132M	<a href="#">00718ET3EAL132M-W22</a>	\$1,110	T1	159	1.25	12.2	91.7	19.291	230/460//190/380	2,7
		1800//1500	132M	<a href="#">00718ET3YAL132M-W22</a>	\$1,110	T1	159	1.25	12.2	91.7	19.291	460//380-415/660-690	2,7
		1800//1500	132M	<a href="#">00718ET3Y132M-W22</a>	\$1,135	T1	186	1.25	12.4	91.7	19.291	460//380-415	7
		1200//1000	160M	<a href="#">00712ET3Y160M-W22</a>	\$2,306	T1	306	1.25	13.1	91.0	23.543	460//380-415/660-690	7
		900//750	160L	<a href="#">00709ET3Y160L-W22</a>	\$2,774	T1	352	1.25	15.2	88.5	25.276	460//380-415/660-690	7
15	11	3600//3000	160M	<a href="#">01136ET3Y160M-W22</a>	\$2,102	T1	304	1.25	17.9	91.7	23.543	460//380-415/660-690	7
		1800//1500	160M	<a href="#">01118ET3Y160M-W22</a>	\$1,726	T1	321	1.25	18.2	92.4	23.543	460//380-415/660-690	7
		1200//1000	160L	<a href="#">01112ET3Y160L-W22</a>	\$3,160	T1	354	1.25	18.8	91.7	25.276	460//380-415/660-690	7
		900//750	180L	<a href="#">01109ET3Y180L-W22</a>	\$4,031	T1	419	1.25	19.5	89.5	27.638	460//380-415/660-690	7
20	15	3600//3000	160M	<a href="#">01536ET3Y160M-W22</a>	\$2,413	T1	320	1.25	24.4	91.7	23.543	460//380-415/660-690	7
		1800//1500	160L	<a href="#">01518ET3Y160L-W22</a>	\$2,118	T1	375	1.25	25.0	93.0	25.276	460//380-415/660-690	7
		1200//1000	180L	<a href="#">01512ET3Y180L-W22</a>	\$3,884	T1	447	1.25	24.7	91.7	27.638	460//380-415/660-690	7
		900//750	200L	<a href="#">01509ET3Y200L-W22</a>	\$5,158	T1	517	1.25	28.0	91.0	30.197	460//380-415/660-690	7
25	18.5	3600//3000	160L	<a href="#">01836ET3Y160L-W22</a>	\$2,925	T1	353	1.25	29.9	92.4	25.276	460//380-415/660-690	7
		1800//1500	180M	<a href="#">01818ET3Y180M-W22</a>	\$2,689	T1	436	1.25	30.6	93.6	26.142	460//380-415/660-690	7
		1200//1000	200L	<a href="#">01812ET3Y200L-W22</a>	\$4,886	T1	552	1.25	30.8	93.0	30.197	460//380-415/660-690	7
		900//750	225S/M	<a href="#">01809ET3Y225S/M-W22</a>	\$5,902	T1	830	1.25	31.6	93.0	34.882	460//380-415/660-690	7
30	22	3600//3000	180M	<a href="#">02236ET3Y180M-W22</a>	\$3,492	T1	424	1.25	34.7	92.4	26.142	460//380-415/660-690	7
		1800//1500	180L	<a href="#">02218ET3Y180L-W22</a>	\$3,225	T1	457	1.25	36.0	93.6	27.638	460//380-415/660-690	7
		1200//1000	200L	<a href="#">02212ET3Y200L-W22</a>	\$4,924	T1	601	1.25	37.1	93.0	30.197	460//380-415/660-690	7
		900//750	225S/M	<a href="#">02209ET3Y225S/M-W22</a>	\$7,506	T1	885	1.25	37.6	93.0	34.882	460//380-415/660-690	7

continued on next page

Please refer to back cover for description of "NOTES"

For detailed specifications, data sheets, drawings and performance curves visit <http://www.weg.net>

Data subject to change without notice.

Can't find what you are looking for? Call 1-800-ASK-4WEG (275-4934)

# Three-Phase General Purpose Motors



## IEC TRU-Metric™ TEFC - Foot Mount - continued

Three-Phase  
General Purpose  
Motors

HP	kW	RPM	Frame	Catalog Number	List Price	Mult. Symbol	Approx. Shipping Weight (lbs)	Service Factor	FL Amps @ High	FL Eff (%)	"C" Dimension (in)	Voltage (V)	Notes
40	30	3600//3000	200L	<a href="#">03036ET3Y200L-W22</a>	\$4,877	T1	575	1.25	47.1	93.0	30.197	460//380-415/660-690	7
		1800//1500	200L	<a href="#">03018ET3Y200L-W22</a>	\$4,312	T1	580	1.25	49.4	94.1	30.197	460//380-415/660-690	7
		1200//1000	225S/M	<a href="#">03012ET3Y225S/M-W22</a>	\$7,689	T1	1055	1.25	47.6	94.1	34.882	460//380-415/660-690	7
		900//750	250S/M	<a href="#">03009ET3Y250S/M-W22</a>	\$8,858	T1	1078	1.25	50.9	93.6	37.992	460//380-415/660-690	7
50	37	3600//3000	200L	<a href="#">03736ET3Y200L-W22</a>	\$5,487	T1	587	1.25	61.3	93.6	30.197	460//380-415/660-690	7
		1800//1500	225S/M	<a href="#">03718ET3Y225S/M-W22</a>	\$6,984	T1	1041	1.25	58.5	94.5	34.882	460//380-415/660-690	7
		1200//1000	250S/M	<a href="#">03712ET3Y250S/M-W22</a>	\$9,947	T1	1266	1.25	58.8	94.1	37.992	460//380-415/660-690	7
		900//750	280S/M	<a href="#">03709ET3Y280S/M-W22</a>	\$11,751	T1	1481	1.25	64.1	94.1	42.165	460//380-415/660-690	7
60	45	3600//3000	225S/M	<a href="#">04536ET3Y225S/M-W22</a>	\$7,961	T1	1053	1.25	66.7	94.1	33.701	460//380-415/660-690	7
		1800//1500	225S/M	<a href="#">04518ET3Y225S/M-W22</a>	\$7,391	T1	1022	1.25	69.9	95.0	34.882	460//380-415/660-690	7
		1200//1000	280S/M	<a href="#">04512ET3Y280S/M-W22</a>	\$11,023	T1	1681	1.25	74.7	94.5	42.165	460//380-415/660-690	7
		900//750	280S/M	<a href="#">04509ET3Y280S/M-W22</a>	\$12,815	T1	1631	1.25	77.0	94.1	42.165	460//380-415/660-690	7
75	55	3600//3000	250S/M	<a href="#">05536ET3Y250S/M-W22</a>	\$9,847	T1	1259	1.25	80.3	94.5	37.992	460//380-415/660-690	7
		1800//1500	250S/M	<a href="#">05518ET3Y250S/M-W22</a>	\$8,961	T1	1206	1.25	85.1	95.4	37.992	460//380-415/660-690	7
		1200//1000	280S/M	<a href="#">05512ET3Y280S/M-W22</a>	\$13,622	T1	1794	1.25	90.2	94.5	42.165	460//380-415/660-690	7
		900//750	315S/M	<a href="#">05509ET3Y315S/M-W22</a>	\$15,379	T1	2436	1.25	93.7	94.5	50.157	460//380-415/660-690	7
100	75	3600//3000	280S/M	<a href="#">07536ET3Y280S/M-W22</a>	\$12,472	T1	1776	1.25	111	94.5	42.165	460//380-415/660-690	7
		1800//1500	280S/M	<a href="#">07518ET3Y280S/M-W22</a>	\$12,353	T1	1738	1.25	116	95.4	42.165	460//380-415/660-690	7
		1200//1000	315S/M	<a href="#">07512ET3Y315S/M-W22</a>	\$16,479	T1	2399	1.25	122	95.0	50.157	460//380-415/660-690	7
		900//750	315S/M	<a href="#">07509ET3Y315S/M-W22</a>	\$18,647	T1	2701	1.25	127	95.0	50.157	460//380-415/660-690	7
125	90	3600//3000	280S/M	<a href="#">09036ET3Y280S/M-W22</a>	\$16,720	T1	1862	1.25	132	95.0	42.165	460//380-415/660-690	7
		1800//1500	280S/M	<a href="#">09018ET3Y280S/M-W22</a>	\$15,220	T1	1835	1.25	139	95.4	42.165	460//380-415/660-690	7
		1200//1000	315S/M	<a href="#">09012ET3Y315S/M-W22</a>	\$19,448	T1	2601	1.25	146	95.4	50.157	460//380-415/660-690	7
		900//750	315S/M	<a href="#">09009ET3Y315S/M-W22</a>	\$21,288	T1	2884	1.25	152	95.0	50.157	460//380-415/660-690	7
150	110	3600//3000	315S/M	<a href="#">11036ET3Y315S/M-W22</a>	\$21,018	T1	2382	1.25	163	95.0	48.976	460//380-415/660-690	7
		1800//1500	280S/M	<a href="#">11018ET3Y280S/M-W22</a>	\$17,078	T1	2210	1.25	170	95.8	42.165	460//380-415/660-690	7
		1200//1000	315S/M	<a href="#">11012ET3Y315S/M-W22</a>	\$22,507	T1	2730	1.25	178	95.8	50.157	460//380-415/660-690	7
		900//750	315L	<a href="#">11009ET3Y315L-W22</a>	\$27,910	T1	3008	1.25	186	95.4	54.685	460//380-415/660-690	7,43
175	132	3600//3000	315S/M	<a href="#">13236ET3Y315S/M-W22</a>	\$23,180	T1	2662	1.25	193	95.4	48.976	460//380-415/660-690	7
		1800//1500	315S/M	<a href="#">13218ET3Y315S/M-W22</a>	\$19,732	T1	2540	1.25	203	96.2	50.157	460//380-415/660-690	7
		1200//1000	315S/M	<a href="#">13212ET3Y315S/M-W22</a>	\$25,642	T1	3031	1.25	214	95.8	50.157	460//380-415/660-690	7
		900//750	315L	<a href="#">13209ET3Y315L-W22</a>	\$33,687	T1	3796	1.25	223	95.4	54.685	460//380-415/660-690	7,43
200	150	3600//3000	315S/M	<a href="#">15036ET3Y315S/M-W22</a>	\$26,249	T1	2682	1.25	219	95.4	48.976	460//380-415/660-690	7
		1800//1500	315S/M	<a href="#">15018ET3Y315S/M-W22</a>	\$21,772	T1	2784	1.25	228	96.2	50.157	460//380-415/660-690	7
		1200//1000	315L	<a href="#">15012ET3Y315L-W22</a>	\$28,298	T1	3557	1.15	240	95.8	54.685	460//380-415/660-690	7,43
250	185	3600//3000	315S/M	<a href="#">18536ET3Y315S/M-W22</a>	\$26,529	T1	2900	1.25	269	95.8	48.976	460//380-415/660-690	7
		1800//1500	315S/M	<a href="#">18518ET3Y315S/M-W22</a>	\$26,247	T1	2948	1.25	284	96.2	50.157	460//380-415/660-690	7
		1200//1000	355M/L	<a href="#">18512ET3Y355M/L-W22</a>	\$43,876	T1	3666	1.15	311	95.8	58.346	460//380-415/660-690	7
300	220	3600//3000	315L	<a href="#">22036ET3Y315L-W22</a>	\$44,212	T1	3468	1.25	315	96.2	53.268	460//380-415/660-690	7,43
		1800//1500	315L	<a href="#">22018ET3Y315L-W22</a>	\$36,234	T1	3113	1.25	338	96.2	54.685	460//380-415/660-690	7,43
		1200//1000	355M/L	<a href="#">22012ET3Y355M/L-W22</a>	\$46,322	T1	4507	1.15	370	95.8	58.346	460//380-415/660-690	7,43
350	260	3600//3000	355M/L	<a href="#">26036ET3Y355M/L-W22</a>	\$50,637	T1	4975	1.15	373	96.2	55.591	460//380-415/660-690	7,43,51
		1800//1500	355M/L	<a href="#">26018ET3Y355M/L-W22</a>	\$43,761	T1	4218	1.15	399	96.2	58.346	460//380-415/660-690	7,43
		1200//1000	355M/L	<a href="#">26012ET3Y355M/L-W22</a>	\$53,001	T1	5075	1.15	436	95.9	58.346	460//380-415/660-690	7,43
400	300	3600//3000	355M/L	<a href="#">30036ET3Y355M/L-W22</a>	\$66,321	T1	4034	1.15	315	96.2	55.591	460//380-415/660-690	7,43
		1800//1500	355M/L	<a href="#">30018ET3Y355M/L-W22</a>	\$60,292	T1	4337	1.00	466	96.2	58.346	460//380-415/660-690	7,43
450	330	1800//1500	355M/L	<a href="#">33018ET3Y355M/L-W22</a>	\$64,557	T1	4906	1.15	505	96.5	58.346	460//380-415/660-690	7,43

Please refer to back cover for description of "NOTES"

For detailed specifications, data sheets, drawings and performance curves visit <http://www.weg.net>



## TEFC – Foot Mount - (FF) B5 D-Flange Style with Feet

Three-Phase  
General Purpose  
Motors

HP	kW	RPM	Frame	Catalog Number	List Price	Mult. Symbol	Approx. Shipping Weight (lbs)	Service Factor	FL Amps @ High	FL Eff (%)	"C" Dimension (in)	Voltage (V)	Notes
0.50	0.37	1800//1500	71	<a href="#">.3718EP3EAL71FF-W22</a>	\$340	T1	26	1.15	1.06	73.0	9.764	230/460//190/380	2,7
0.75	0.55	3600//3000	71	<a href="#">.5536EP3EAL71FF-W22</a>	\$366	T1	23	1.15	1.14	76.0	9.764	230/460//190/380	2,7
		1800//1500	80	<a href="#">.5518EP3EAL80FF-W22</a>	\$383	T1	28	1.15	1.25	77.0	10.866	230/460//190/380	2,7
1	0.75	1800//1500	90S/L	<a href="#">.7518ET3WAL90S/LFF-W</a>	\$479	T1	43	1.25	1.47	85.5	12.953	460//220-240/380-415	2,7
		1800//1500	90S/L	<a href="#">.7518ET3EAL90S/LFF-W</a>	\$479	T1	42	1.25	1.47	85.5	12.953	230/460//190/380	2,7
2	1.5	1800//1500	90S/L	<a href="#">00158ET3EAL90LFF-W22</a>	\$583	T1	49	1.25	2.79	86.5	12.953	230/460//190/380	2,7
		1800//1500	90L	<a href="#">00158ET3WAL90LFF-W22</a>	\$583	T1	51	1.25	2.79	86.5	12.953	460//220-240/380-415	
		1200//1000	100L	<a href="#">00152ET3WAL100LFF-W2</a>	\$882	T1	76	1.25	3.04	88.5	14.803	460//220-240/380-415	2,7
3	2.2	3600//3000	90L	<a href="#">00236ET3WAL90LFF-W22</a>	\$815	T1	46	1.25	3.85	86.5	12.953	460//220-240/380-415	
		1800//1500	100L	<a href="#">00218ET3EAL100LFF-W2</a>	\$700	T1	66	1.25	4.11	89.5	14.803	230/460//190/380	2,7
		1800//1500	100L	<a href="#">00218ET3WAL100LFF-W2</a>	\$700	T1	68	1.25	4.05	87.5	14.803	460//220-240/380-415	
4	3	1800//1500	100L	<a href="#">00318ET3WAL100LFF-W2</a>	\$742	T1	77	1.25	5.33	89.5	14.803	460//220-240/380-415	2,7
5.5	4	3600//3000	112M	<a href="#">00436ET3YAL112MFF-W2</a>	\$944	T1	86	1.25	6.67	88.5	15.472	460//380-415/660-690	2,7
		1800//1500	112M	<a href="#">00418ET3YAL112MFF-W2</a>	\$749	T1	93	1.25	7.28	89.5	15.472	460//380-415/660-690	2,7
		1200//1000	132M	<a href="#">00412ET3YAL132MFF-W2</a>	\$1,333	T1	147	1.25	7.9	89.5	19.291	460//380-415/660-690	2,7
7.5	5.5	3600//3000	132S	<a href="#">00536ET3YAL132SFF-W2</a>	\$1,223	T1	135	1.25	8.97	89.5	19.291	460//380-415/660-690	39
		1800//1500	132S	<a href="#">00518ET3YAL132SFF-W2</a>	\$1,011	T1	142	1.25	9.07	91.7	19.291	460//380-415/660-690	2,7
10	7.5	3600//3000	132S	<a href="#">00736ET3YAL132SFF-W2</a>	\$1,371	T1	147	1.25	12.3	90.2	19.291	460//380-415/660-690	2,7
		1800//1500	132M	<a href="#">00718ET3YAL132MFF-W2</a>	\$1,189	T1	159	1.25	12.2	91.7	19.291	460//380-415/660-690	2,7
15	11	3600//3000	160M	<a href="#">01136ET3Y160MFF-W22</a>	\$2,219	T1	304	1.25	17.9	91.7	23.543	460//380-415/660-690	7
		1800//1500	160M	<a href="#">01118ET3Y160MFF-W22</a>	\$1,843	T1	304	1.25	18.2	92.4	23.543	460//380-415/660-690	7
20	15	1800//1500	160L	<a href="#">01518ET3Y160LFF-W22</a>	\$2,235	T1	358	1.25	25.0	93.0	25.276	460//380-415/660-690	7
30	22	1800//1500	180L	<a href="#">02218ET3Y180LFF-W22</a>	\$3,361	T1	501	1.25	36.0	93.6	27.638	460//380-415/660-690	7
50	37	3600//3000	200L	<a href="#">03736ET3Y200LFF-W22</a>	\$5,789	T1	595	1.25	61.3	93.6	30.197	460//380-415/660-690	7,51
		1800//1500	225S/M	<a href="#">03718ET3Y225S/MFF-W22</a>	\$7,774	T1	1058	1.25	58.5	94.5	34.882	460//380-415/660-690	7

Please refer to back cover for description of "NOTES"

For detailed specifications, data sheets, drawings and performance curves visit [http:// www.weg.net](http://www.weg.net)

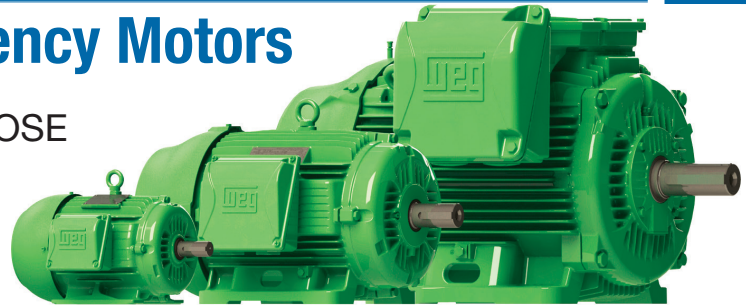
Data subject to change without notice.

Can't find what you are looking for? Call 1-800-ASK-4WEG (275-4934)

# Super Premium Efficiency Motors

SEVERE DUTY GENERAL PURPOSE

Three-Phase



Super Premium Efficiency Motors

## TEFC

Super Premium Efficiency motors offer high performance with maximum energy efficiency. This motor provides high efficiency and low cost of ownership throughout the entire motor lifetime. This design maximizes performance and energy savings.

WEG's W22 Super Premium cast iron platform has a superior cooling system and solid feet for cooler operation and minimal vibration and noise extending the life of the motor.

## Standard Features:

- 50/60 Hz rated (380V on Nameplate - 400/415 Available - Same Horsepower at 50 Hz with a 1.0 Service Factor)
- Class F insulation (Impregnation Resin and Magnet wire are class H)
- NEMA design A. All ratings Exceed NEMA design C for motors 15HP and above
- F1 Mounted (Cast Iron frames 254T and larger are F2 convertible)
- Stainless Steel Nameplate - Laser etched with high contrast background
- Regreasable ball bearings (Frames 254T and up)
- Gasketed conduit box
- Class I, Div. 2, Groups A, B, C & D – T3, Class II, Div 2, Groups F & G – T3C

## Features that make a difference:

- Super Premium efficiency exceeding NEMA Premium® levels
- 1.25 Service Factor in all ratings
- Optimized ventilation system for cooler operation and low noise levels.
- Solid base for lower vibration levels
- Frames 447T and up can easily be F2 converted by rotating the terminal box adapter
- NPT Threaded terminal box

## Inverter Rated:

**1000 : 1 for variable torque**

**20 : 1 for constant torque**





# Super Premium Efficiency Motors

GENERAL PURPOSE - Three-Phase

## TEFC - Foot Mount

HP	KW	RPM	Frame	Catalog Number	List Price	Mult. Symbol	Approx. Shipping Weight (lbs)	Service Factor	FL Amps @ High	FL. Eff (%)	"C" Dimension (in)	Voltage (V)	Notes
1	0.75	3600	143/5T	<b>0013EG3E143T-W22</b>	<b>\$569</b>	N1	48	1.25	1.35	84.0	13.358	230/460	36;37
		1800	143/5T	<b>00118EG3E143T-W22</b>	<b>\$580</b>	N1	56	1.25	1.33	87.5	13.358	230/460	36;37
1.5	1.1	3600	143/5T	<b>00156EG3E143T-W22</b>	<b>\$597</b>	N1	51	1.25	1.92	86.5	13.358	230/460	36;37
		1800	L143/5T	<b>00158EG3EL145T-W22</b>	<b>\$606</b>	N1	64	1.25	1.93	88.5	14.566	230/460	36;37;39
2	1.5	3600	143/5T	<b>00236EG3E145T-W22</b>	<b>\$650</b>	N1	56	1.25	2.56	87.5	13.358	230/460	36;37
		1800	L143/5T	<b>00218EG3EL145T-W22</b>	<b>\$673</b>	N1	64	1.25	2.63	88.5	14.566	230/460	36;37;39
3	2.2	3600	182/4T	<b>00336EG3E182T-W22</b>	<b>\$839</b>	N1	98	1.25	3.67	88.5	15.860	230/460	36;37
		1800	182/4T	<b>00318EG3E182T-W22</b>	<b>\$729</b>	N1	103	1.25	3.75	91.0	15.860	230/460	36;37
		1200	213/5T	<b>00312EG3E213T-W22</b>	<b>\$1,242</b>	N1	184	1.25	4.31	90.2	19.517	230/460	36;37;51
5	3.7	3600	182/4T	<b>00536EG3E184T-W22</b>	<b>\$960</b>	N1	106	1.25	5.99	90.2	15.860	230/460	36;37
		1800	L182/4T	<b>00518EG3EL184T-W22</b>	<b>\$849</b>	N1	118	1.25	6.38	91.0	17.041	230/460	36;37;39
		1200	L213/5T	<b>00512EG3EL215T-W22</b>	<b>\$1,465</b>	N1	207	1.25	6.80	91.0	20.461	230/460	36;37;39
7.5	5.5	3600	213/5T	<b>00736EG3E213T-W22</b>	<b>\$1,238</b>	N1	169	1.25	8.82	91.0	19.517	230/460	36;37
		1800	213/5T	<b>00718EG3E213T-W22</b>	<b>\$1,198</b>	N1	186	1.25	8.94	93.0	19.517	230/460	36;37
		1200	254/6T	<b>00712EG3E254T-W22</b>	<b>\$2,272</b>	N1	356	1.25	9.46	92.4	24.945	230/460	36;37;51
10	7.5	3600	213/5T	<b>01036EG3E215T-W22</b>	<b>\$1,465</b>	N1	193	1.25	11.5	91.7	19.517	230/460	36;37
		1800	L213/5T	<b>01018EG3EL215T-W22</b>	<b>\$1,400</b>	N1	209	1.25	12.0	93.0	20.461	230/460	36;37;39
		1200	254/6T	<b>01012EG3E256T-W22</b>	<b>\$2,636</b>	N1	387	1.25	12.7	92.4	24.945	230/460	36;37
15	11	3600	254/6T	<b>01536EG3E254T-W22</b>	<b>\$2,006</b>	N1	340	1.25	17.4	92.4	24.945	230/460	36;37
		1800	254/6T	<b>01518EG3E254T-W22</b>	<b>\$2,033</b>	N1	365	1.25	17.8	93.6	24.945	230/460	36;37
		1200	284/6T	<b>01512EG3E284T-W22</b>	<b>\$3,620</b>	N1	449	1.25	18.1	93.0	27.929	230/460	36;37
20	15	3600	254/6T	<b>02036EG3E256T-W22</b>	<b>\$2,620</b>	N1	373	1.25	23.0	93.0	24.945	230/460	36;37
		1800	254/6T	<b>02018EG3E256T-W22</b>	<b>\$2,421</b>	N1	396	1.25	24.7	94.1	24.945	230/460	36;37
		1200	284/6T	<b>02012EG3E286T-W22</b>	<b>\$4,358</b>	N1	495	1.25	24.4	93.0	27.929	230/460	36;37
25	18.5	3600	284/6TS	<b>02536EG3E284TS-W22</b>	<b>\$3,298</b>	N1	435	1.25	28.5	93.6	26.557	230/460	36;37
		1800	284/6T	<b>02518EG3E284T-W22</b>	<b>\$3,017</b>	N1	459	1.25	30.3	94.5	27.929	230/460	36;37
		1200	324/6T	<b>02512EG3E324T-W22</b>	<b>\$5,211</b>	N1	623	1.25	30.8	94.1	31.116	230/460	36;37;51
30	22	3600	284/6TS	<b>03036EG3E286TS-W22</b>	<b>\$3,917</b>	N1	475	1.25	33.5	93.6	26.557	230/460	36;37
		1800	284/6T	<b>03018EG3E286T-W22</b>	<b>\$3,545</b>	N1	491	1.25	35.6	94.5	27.929	230/460	36;37
		1200	324/6T	<b>03012EG3E326T-W22</b>	<b>\$5,800</b>	N1	667	1.25	36.7	94.1	31.116	230/460	36;37
40	30	3600	324/6TS	<b>04036EG3E324TS-W22</b>	<b>\$5,198</b>	N1	590	1.25	46.5	94.1	29.616	230/460	36;37
		1800	324/6T	<b>04018EG3E324T-W22</b>	<b>\$4,596</b>	N1	638	1.25	48.9	95.0	31.116	230/460	36;37
		1200	364/5T	<b>04012EG3E364T-W22</b>	<b>\$8,012</b>	N1	1046	1.25	48.9	95.0	34.251	230/460	36;37;51
50	37	3600	324/6TS	<b>05036EG3E326TS-W22</b>	<b>\$5,848</b>	N1	637	1.25	57.1	94.5	29.616	230/460	36;37
		1800	324/6T	<b>05018EG3E326T-W22</b>	<b>\$5,610</b>	N1	661	1.25	60.1	95.4	31.116	230/460	36;37
		1200	364/5T	<b>05012EG3E365T-W22</b>	<b>\$9,370</b>	N1	1062	1.25	60.3	95.0	34.251	230/460	36;37
60	45	3600	364/5TS	<b>06036EG3E364TS-W22</b>	<b>\$8,307</b>	N1	1042	1.25	66.8	95.0	32.338	230/460	36;37
		1800	364/5T	<b>06018EG3E364T-W22</b>	<b>\$8,128</b>	N1	1045	1.25	70.2	95.8	34.251	230/460	36;37
		1200	404/5T	<b>06012EG3E404T-W22</b>	<b>\$11,547</b>	N1	1323	1.25	72.2	95.4	39.730	230/460	36;37
75	55	3600	364/5TS	<b>07536EG3E365TS-W22</b>	<b>\$10,000</b>	N1	1041	1.25	82.6	95.0	32.338	230/460	36;37
		1800	364/5T	<b>07518EG3E365T-W22</b>	<b>\$9,576</b>	N1	1046	1.25	86.8	95.8	34.251	230/460	36;37
		1200	404/5T	<b>07512EG3E405T-W22</b>	<b>\$13,264</b>	N1	1344	1.25	89.3	95.4	39.730	230/460	36;37
100	75	3600	404/5TS	<b>10036EG3E405TS-W22</b>	<b>\$13,202</b>	N1	1299	1.25	111	95.4	36.732	230/460	36;37
		1800	404/5T	<b>10018EG3E405T-W22</b>	<b>\$12,858</b>	N1	1328	1.25	116	96.2	39.730	230/460	36;37
		1200	444/5T	<b>10012EG3E444T-W22</b>	<b>\$17,194</b>	N1	2145	1.25	124	95.8	45.157	230/460	36;37

Super Premium Efficiency Motors

continued on next page

Please refer to back cover for description of "NOTES"

For detailed specifications, data sheets, drawings and performance curves visit [http:// www.weg.net](http://www.weg.net)

Data subject to change without notice.

Can't find what you are looking for? Call 1-800-ASK-4WEG (275-4934)

# Super Premium Efficiency Motors



GENERAL PURPOSE - Three-Phase

## TEFC - Foot Mount - *continued*

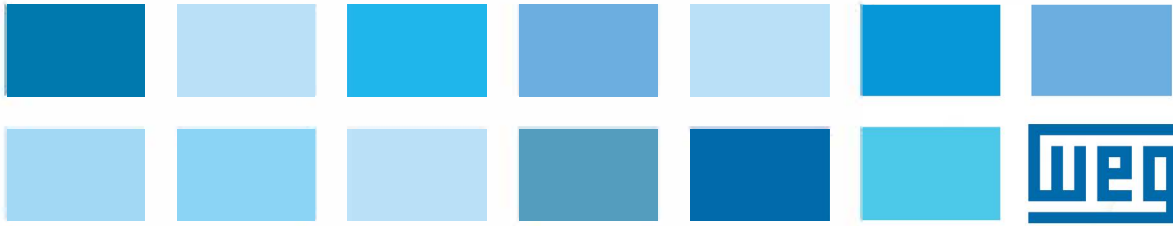
Super Premium Efficiency Motors

HP	kW	RPM	Frame	Catalog Number	List Price	Mult. Symbol	Approx. Shipping Weight (lbs)	Service Factor	FL Amps @ High	FL. Eff (%)	"C" Dimension (in)	Voltage (V)	Notes
125	90	3600	444/5TS	<a href="#">12536EG3G444TS-W22</a>	<b>\$16,885</b>	N1	1872	1.25	136	95.8	41.407	460	36;37
		1800	444/5T	<a href="#">12518EG3G444T-W22</a>	<b>\$16,223</b>	N1	1991	1.25	140	96.2	45.157	460	36;37
		1200	444/5T	<a href="#">12512EG3G445T-W22</a>	<b>\$19,742</b>	N1	2231	1.25	152	95.8	45.157	460	36;37;51
150	110	3600	444/5TS	<a href="#">15036EG3G445TS-W22</a>	<b>\$20,770</b>	N1	2071	1.25	163	96.2	41.407	460	36;37;51
		1800	444/5T	<a href="#">15018EG3G445T-W22</a>	<b>\$19,162</b>	N1	2226	1.25	170	96.5	45.157	460	36;37
		1200	447/9T	<a href="#">15012EG3G449T-W22</a>	<b>\$22,703</b>	N1	3098	1.25	179	96.2	56.338	460	36;37;51
200	150	3600	445/7TS	<a href="#">20036EG3G447TS-W22</a>	<b>\$25,918</b>	N1	2333	1.25	217	96.2	44.951	460	36;37
		1800	447/9T	<a href="#">20018EG3G449T-W22</a>	<b>\$23,208</b>	N1	2995	1.25	234	96.8	56.338	460	36;37
		1200	447/9T	<a href="#">20012EG3G449T-W22</a>	<b>\$27,646</b>	N1	3145	1.25	245	96.2	56.338	460	36;37;51
250	185	3600	445/7TS	<a href="#">25036EG3G447TS-W22</a>	<b>\$32,831</b>	N1	2480	1.25	267	96.5	44.951	460	36;37
		1800	447/9T	<a href="#">25018EG3G449T-W22</a>	<b>\$29,388</b>	N1	3083	1.25	286	96.8	56.338	460	36;37

Please refer to back cover for description of "NOTES"

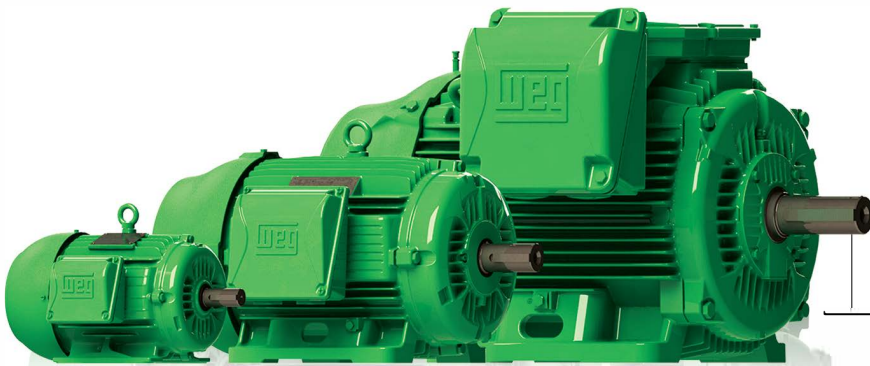
For detailed specifications, data sheets, drawings and performance curves visit <http://www.weg.net>





# Super Premium Efficiency

The most efficient induction motor in the World!



Motors with higher efficiency and lower total cost of ownership...  
**We call it WEGnology.**



Transforming energy into solutions. [www.weg.net](http://www.weg.net)

# Severe-Duty – Three Phase Motors

## GENERAL PURPOSE

TEFC – Foot Mount	A-93
TEFC – C-Face – Foot Mount	A-100
TEFC – C-Face – Footless	A-102

## IEEE 841

TEFC – Foot Mount	A-104
TEFC – C-Face – Foot Mount	A-108
TEFC – C-Face – Footless	A-109

## CRUSHER DUTY

TEFC – Foot Mount	A-113
-------------------	-------

## VECTOR DUTY

TENV – Foot Mount – Double C-Face	A-115
-----------------------------------	-------

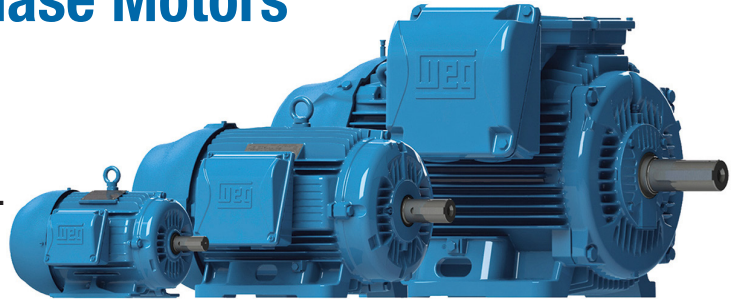
## IEC TRU-METRIC™

TEFC – Foot Mount IE3	A-117
TEFC – Foot Mount - FF-Face Motors	A-118

# Severe-Duty – Three Phase Motors

You Do Not Need A Special Motor For Severe Duty.

Severe Duty Is Standard With WEG.



## W22 - Cast Iron

### Standard Features:

- 50/60 Hz rated (380V on nameplate - 400/415 available)
- Rated 50HZ at same horsepower up to 250HP 1.0 Service Factor for 2, 4 & 6 pole motors
- Rated 50Hz at same horsepower up to 125HP 1.0 Service Factor for 8 pole motors
- Class F insulation (impregnation resin and magnet wire are class H)
- F1 mounted (cast iron frames are F2 convertible). Frames 447T and up can easily be F2 converted by simply rotating the terminal box adapter
- Cast iron frames: regreasable ball bearings (frames 254T and up)
- Gasketed conduit box
- 200-240V Space heaters standard on Frames 586/7-588/9

### \*Inverter Rated

**1000:1 for Variable Torque  
NEMA Premium®**

**20:1 Constant Torque up to 250HP**

**6:1 Constant Torque 300HP and up**

*\* Insulated housing standard on L449T and above*

### Features that make a difference:

- All NEMA Premium® ratings have a 1.25 Service Factor (up to 100 HP) resulting in cooler operation and extended life of the motor
- All Cast Iron Construction, including Terminal Box and Fan Cover (\*)
- Solid feet for low vibration levels and impact absorption
- Optimized ventilation system for cool operation and extended life
- High Grade FC200 cast iron provides superior mechanical strength and heat dissipation
- All WEG W22 motors are Totally Enclosed Fan Cooled with a true IP55 rating against dust and moisture. (IP56, IP65 and IP66 available as optional)
- Exclusive W-Seal 364T and larger provides superior bearing protection
- Taconite Labyrinth seal 586 Frame and larger
- Exclusive WEG painting system exceed 200hrs ASTM 117 corrosion test (Exceeds IEEE 841 standard)
- Balanced to 0.08 inches per second vibration limits (Meets IEEE 841 standard)
- Four Bolt Conduit Cover with glued Neoprene Gasket
- Impregnation Resin and magnet wire are insulation class H
- Stainless Steel Nameplate - Laser etched with high contrast background
- Corrosion Proof Drains
- Inverter Duty per NEMA MG1, Part 31
- Certified Class I Div 2, Groups A, B, C & D; Class II, Div 2, Groups F & G
- Suitable for IEEE45 USCG 259 – Marine Duty

\*Cast iron fan cover available as an option on 143-215T frames

### Optimal Cooling System

#### Fan Cover

- Aerodynamic design
- Minimal noise levels
- Superb air flow distribution over frame
- Superior mechanical strength

#### Fan

- Reinforced fan hub structure
- Noise level reduction
- Optimal air flow

### Terminal Box

- Excellent connection quality
- Easy cable handling during installation
- Ample space available for accessory installation
- Low Maintenance
- Mounting F1/F2/F3
- Rotation on 90° stages

### Bearing Caps

#### External

- Finned surface for optimal bearing heat dissipation

#### Internal

- Positive pressure lubrication system
- Excellent bearing lubrication quality improvement
- Lower bearing temperature
- 1.25 SF up to 100 hp

### Seal Subsystem

- Excellent dust and moisture protection

### Frame

- Low temperature on windings and bearings
- Low noise design
- Terminal box position outlet on top; 447T and larger

#### Pad for vibration sensor

- Displaced 90° from each other

### Enhanced Lifting Provisions

- Easy handling - horizontal & vertical
- Superior mechanical strength and handling safety

#### Solid feet

- Impact resistance
- Ideal for high vibration level applications

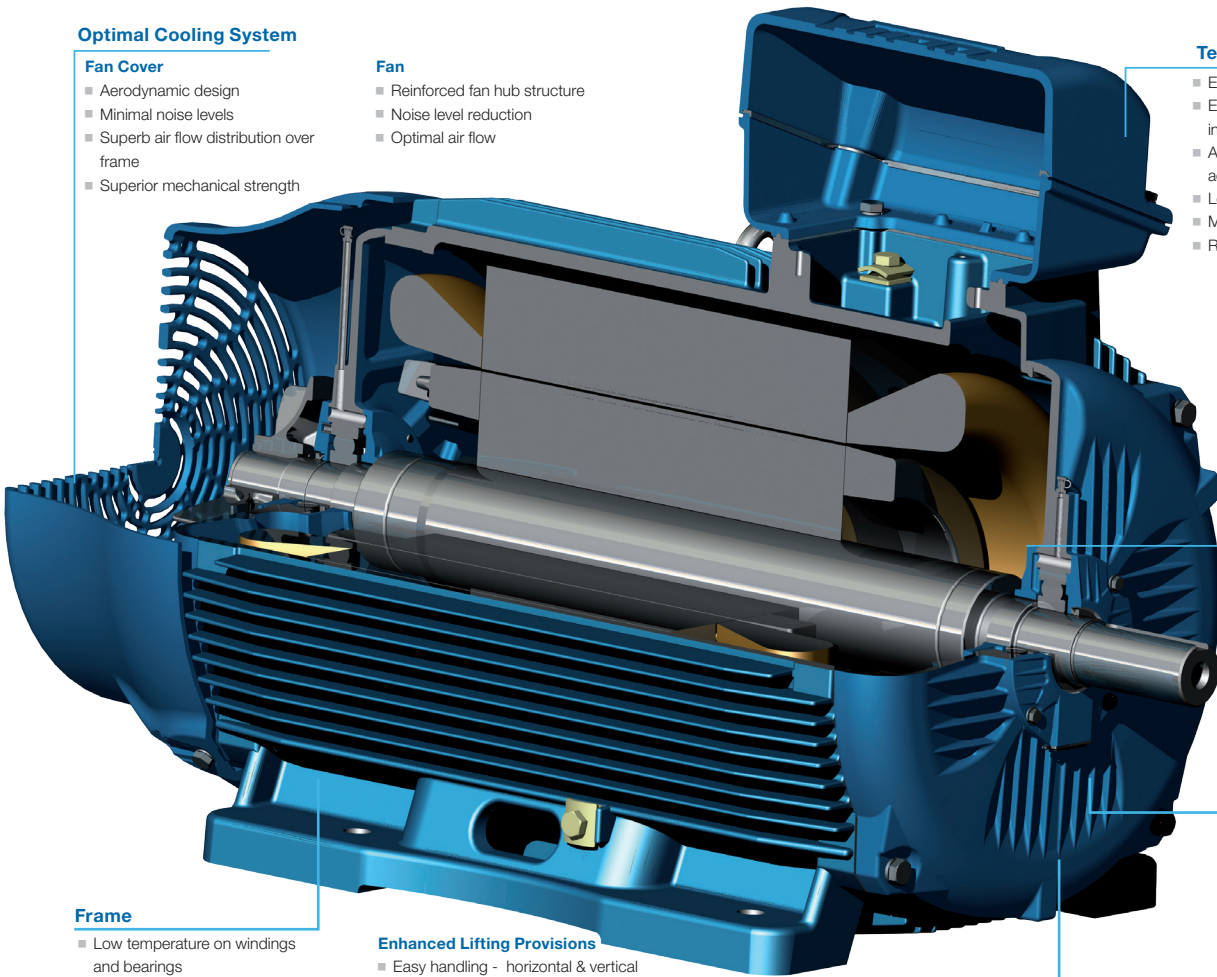
### Endshields Subsystem

#### DE (Drive Endshield)

- Fin design increases air flow
- Bearing moved outwards for better load support
- Bearing heat dissipation for reduced bearing temperature
- Reinforced endshield structure

#### NDE (Non-Drive Endshield)

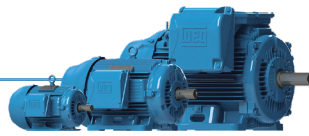
- Smooth exterior surface
- Optimal air flow
- Designed for low noise
- Structural rigidity for low vibration
- Insulated housing standard on L447/9T and above



Please refer to back cover for description of "NOTES"

For detailed specifications, data sheets, drawings and performance curves visit <http://www.weg.net>

Data subject to change without notice.



# Severe Duty - Three-Phase Motors

GENERAL PURPOSE

## TEFC - Foot Mount

HP	kW	RPM	Frame	Catalog Number	List Price	Mult. Symbol	Approx. Shipping Weight (lbs)	Service Factor	FL Amps @ High	FL. Eff (%)	"C" Dimension (in)	Voltage (V)	Notes
1	0.75	3600	143/5T	<a href="#">00136ET3E143T-W22</a>	\$538	N1	45	1.25	1.44	81.5	13.358	230/460	
		3600	143/5T	<a href="#">00136ET3H143T-W22</a>	\$538	N1	44	1.25	1.15	81.5	13.358	575	
		1800	143/5T	<a href="#">00118ET3E143T-W22</a>	\$527	N1	48	1.25	1.47	85.5	13.358	230/460	
		1800	143/5T	<a href="#">00118ET3H143T-W22</a>	\$527	N1	48	1.25	1.18	85.5	13.358	575	
		1200	143/5T	<a href="#">00112ET3E145T-W22</a>	\$608	N1	55	1.25	1.73	82.5	13.358	230/460	
		1200	143/5T	<a href="#">00112ET3H145T-W22</a>	\$608	N1	55	1.25	1.38	82.5	13.358	575	
		900	182/4T	<a href="#">00109ET3E182T-W22</a>	\$1,043	N1	88	1.25	2.30	78.5	15.860	230/460	
		900	182/4T	<a href="#">00109ET3H182T-W22</a>	\$1,043	N1	104	1.25	1.84	78.5	15.860	575	
1.5	1.1	3600	143/5T	<a href="#">00156ET3E143T-W22</a>	\$543	N1	49	1.25	1.96	84.0	13.358	230/460	
		3600	143/5T	<a href="#">00156ET3H143T-W22</a>	\$543	N1	49	1.25	1.57	84.0	13.358	575	
		1800	143/5T	<a href="#">00158ET3E145T-W22</a>	\$551	N1	53	1.25	2.02	86.5	13.358	230/460	
		1800	143/5T	<a href="#">00158ET3H145T-W22</a>	\$551	N1	53	1.25	1.62	86.5	13.358	575	
		1200	182/4T	<a href="#">00152ET3E182T-W22</a>	\$754	N1	97	1.25	2.54	87.5	15.860	230/460	
		1200	182/4T	<a href="#">00152ET3H182T-W22</a>	\$754	N1	97	1.25	2.03	87.5	15.860	575	
		900	182/4T	<a href="#">00159ET3E184T-W22</a>	\$1,207	N1	102	1.25	2.70	82.5	15.860	230/460	
		900	182/4T	<a href="#">00159ET3H184T-W22</a>	\$1,207	N1	102	1.25	2.16	82.5	15.860	575	
2	1.5	3600	143/5T	<a href="#">00236ET3E145T-W22</a>	\$591	N1	54	1.25	2.56	85.5	13.358	230/460	
		3600	143/5T	<a href="#">00236ET3H145T-W22</a>	\$591	N1	54	1.25	2.05	85.5	13.358	575	
		1800	143/5T	<a href="#">00218ET3E145T-W22</a>	\$612	N1	51	1.25	2.76	86.5	13.358	230/460	
		1800	143/5T	<a href="#">00218ET3H145T-W22</a>	\$612	N1	54	1.25	2.21	86.5	13.358	575	
		1200	182/4T	<a href="#">00212ET3E184T-W22</a>	\$819	N1	108	1.25	3.22	88.5	15.860	230/460	39
		1200	182/4T	<a href="#">00212ET3H184T-W22</a>	\$819	N1	103	1.25	2.58	88.5	15.860	575	39
		900	213/5T	<a href="#">00209ET3E213T-W22</a>	\$1,848	N1	171	1.25	3.39	85.5	19.517	230/460	
		900	213/5T	<a href="#">00209ET3H213T-W22</a>	\$1,848	N1	171	1.25	2.71	85.5	19.517	575	
3	2.2	3600	182/4T	<a href="#">00336ET3E182T-W22</a>	\$763	N1	99	1.25	3.63	86.5	15.860	230/460	
		3600	182/4T	<a href="#">00336ET3H182T-W22</a>	\$763	N1	99	1.25	2.90	86.5	15.860	575	
		1800	182/4T	<a href="#">00318ET3E182T-W22</a>	\$663	N1	92	1.25	3.91	89.5	15.860	230/460	
		1800	182/4T	<a href="#">00318ET3H182T-W22</a>	\$663	N1	94	1.25	3.13	89.5	15.860	575	
		1200	213/5T	<a href="#">00312ET3E213T-W22</a>	\$1,129	N1	160	1.25	4.41	89.5	19.517	230/460	
		1200	213/5T	<a href="#">00312ET3H213T-W22</a>	\$1,129	N1	163	1.25	3.53	89.5	19.517	575	
		900	213/5T	<a href="#">00309ET3E215T-W22</a>	\$2,115	N1	189	1.25	4.55	85.5	19.517	230/460	
		900	213/5T	<a href="#">00309ET3H215T-W22</a>	\$2,115	N1	188	1.25	3.64	85.5	19.517	575	
5	3.7	3600	182/4T	<a href="#">00536ET3E184T-W22</a>	\$873	N1	103	1.25	5.90	88.5	15.860	230/460	
		3600	182/4T	<a href="#">00536ET3H184T-W22</a>	\$873	N1	106	1.25	4.72	88.5	15.860	575	
		1800	182/4T	<a href="#">00518ET3E184T-W22</a>	\$772	N1	101	1.25	6.45	89.5	15.860	230/460	
		1800	182/4T	<a href="#">00518ET3H184T-W22</a>	\$772	N1	104	1.25	5.16	89.5	15.860	575	
		1800	182/4T	<a href="#">00518ET3P184T-W22</a>	\$772	N1	103	1.25	14.8	89.5	15.860	200	
		1200	213/5T	<a href="#">00512ET3E215T-W22</a>	\$1,332	N1	170	1.25	6.83	89.5	19.517	230/460	
		1200	213/5T	<a href="#">00512ET3H215T-W22</a>	\$1,332	N1	180	1.25	5.46	89.5	19.517	575	
		900	254/6T	<a href="#">00509ET3E254T-W22</a>	\$3,301	N1	302	1.25	7.58	87.5	24.945	230/460	
900	254/6T	<a href="#">00509ET3H254T-W22</a>	\$3,301	N1	321	1.25	6.06	87.5	24.945	575			

continued on next page

Please refer to back cover for description of "NOTES"

For detailed specifications, data sheets, drawings and performance curves visit <http://www.weg.net>

Data subject to change without notice.

Can't find what you are looking for? Call 1-800-ASK-4WEG (275-4934)

Severe Duty - Three-Phase Motors

# Severe Duty - Three-Phase Motors



## GENERAL PURPOSE

### TEFC - Foot Mount - *continued*

HP	kW	RPM	Frame	Catalog Number	List Price	Mult. Symbol	Approx. Shipping Weight (lbs)	Service Factor	FL Amps @ High	FL Eff (%)	"C" Dimension (in)	Voltage (V)	Notes
7.5	5.5	3600	182/4T	<a href="#">00736ET3E184T-W22</a>	\$1,074	N1	106	1.25	8.76	89.5	15.860	230/460	12
		3600	213/5T	<a href="#">00736ET3E213T-W22</a>	\$1,125	N1	149	1.25	8.76	89.5	19.517	230/460	
		3600	213/5T	<a href="#">00736ET3H213T-W22</a>	\$1,125	N1	163	1.25	7.01	89.5	19.517	575	
		1800	213/5T	<a href="#">00718ET3E213T-W22</a>	\$1,089	N1	170	1.25	9.18	91.7	19.517	230/460	
		1800	213/5T	<a href="#">00718ET3H213T-W22</a>	\$1,089	N1	174	1.25	7.34	91.7	19.517	575	
		1800	213/5T	<a href="#">00718ET3P213T-W22</a>	\$1,089	N1	175	1.25	21.1	91.7	19.517	200	
		1200	254/6T	<a href="#">00712ET3E254T-W22</a>	\$2,065	N1	300	1.25	9.48	91.0	24.945	230/460	
		1200	254/6T	<a href="#">00712ET3H254T-W22</a>	\$2,065	N1	316	1.25	7.58	91.0	24.945	575	39
		900	254/6T	<a href="#">00709ET3E256T-W22</a>	\$3,658	N1	317	1.25	11.1	87.5	24.945	230/460	
		900	254/6T	<a href="#">00709ET3H256T-W22</a>	\$3,658	N1	373	1.25	8.88	87.5	24.945	575	
10	7.5	3600	213/5T	<a href="#">01036ET3E215T-W22</a>	\$1,332	N1	172	1.25	11.6	90.2	19.517	230/460	
		3600	213/5T	<a href="#">01036ET3H215T-W22</a>	\$1,332	N1	180	1.25	9.28	90.2	19.517	575	
		1800	213/5T	<a href="#">01018ET3E215T-W22</a>	\$1,273	N1	175	1.25	12.4	91.7	19.517	230/460	
		1800	213/5T	<a href="#">01018ET3H215T-W22</a>	\$1,273	N1	188	1.25	9.92	91.7	19.517	575	
		1800	213/5T	<a href="#">01018ET3P215T-W22</a>	\$1,273	N1	189	1.25	28.5	91.7	19.517	200	
		1200	254/6T	<a href="#">01012ET3E256T-W22</a>	\$2,396	N1	318	1.25	12.9	91.0	24.945	230/460	
		1200	254/6T	<a href="#">01012ET3H256T-W22</a>	\$2,396	N1	325	1.25	10.3	91.0	24.945	575	
		900	284/6T	<a href="#">01009ET3E284T-W22</a>	\$4,634	N1	373	1.25	13.4	90.2	27.929	230/460	
		900	284/6T	<a href="#">01009ET3H284T-W22</a>	\$4,634	N1	371	1.25	10.7	90.2	27.929	575	
15	11	3600	213/5T	<a href="#">01536ET3E215T-W22</a>	\$1,697	N1	192	1.25	17.0	91.0	19.517	230/460	12
		3600	254/6T	<a href="#">01536ET3E254T-W22</a>	\$1,824	N1	293	1.25	17.2	91.0	24.945	230/460	
		3600	254/6T	<a href="#">01536ET3H254T-W22</a>	\$1,824	N1	298	1.25	13.8	91.0	24.945	575	
		1800	254/6T	<a href="#">01518ET3E254T-W22</a>	\$1,848	N1	339	1.25	18.0	92.4	24.945	230/460	
		1800	254/6T	<a href="#">01518ET3H254T-W22</a>	\$1,848	N1	347	1.25	14.4	92.4	24.945	575	
		1800	254/6T	<a href="#">01518ET3P254T-W22</a>	\$1,848	N1	349	1.25	41.4	92.4	24.945	200	
		1200	284/6TS	<a href="#">01512ET3E284TS-W22</a>	\$3,291	N1	420	1.25	17.9	91.7	26.557	230/460	
		1200	284/6TS	<a href="#">01512ET3H284TS-W22</a>	\$3,291	N1	360	1.25	14.3	91.7	26.557	575	
		1200	284/6T	<a href="#">01512ET3E284T-W22</a>	\$3,291	N1	406	1.25	17.9	91.7	27.929	230/460	
		1200	284/6T	<a href="#">01512ET3H284T-W22</a>	\$3,291	N1	420	1.25	14.3	91.7	27.929	575	
		900	284/6T	<a href="#">01509ET3E286T-W22</a>	\$5,368	N1	429	1.25	19.4	90.2	27.929	230/460	
900	284/6T	<a href="#">01509ET3H286T-W22</a>	\$5,368	N1	428	1.25	15.5	90.2	27.929	575			
20	15	3600	254/6T	<a href="#">02036ET3E256T-W22</a>	\$2,382	N1	317	1.25	23.2	91.0	24.945	230/460	
		3600	254/6T	<a href="#">02036ET3H256T-W22</a>	\$2,382	N1	323	1.25	18.6	91.0	24.945	575	
		1800	254/6T	<a href="#">02018ET3E256T-W22</a>	\$2,201	N1	386	1.25	24.1	93.0	24.945	230/460	
		1800	254/6T	<a href="#">02018ET3H256T-W22</a>	\$2,201	N1	396	1.25	19.3	93.0	24.945	575	
		1800	254/6T	<a href="#">02018ET3P256T-W22</a>	\$2,201	N1	397	1.25	55.4	93.0	24.945	200	
		1200	284/6T	<a href="#">02012ET3E286T-W22</a>	\$3,962	N1	432	1.25	24.2	91.7	27.929	230/460	
		1200	284/6T	<a href="#">02012ET3H286T-W22</a>	\$3,962	N1	447	1.25	19.4	91.7	27.929	575	
		900	284/6T	<a href="#">02009ET3E286T-W22</a>	\$5,854	N1	556	1.00	28.2	90.2	27.929	230/460	1;12;37
		900	324/6T	<a href="#">02009ET3E324T-W22</a>	\$6,339	N1	548	1.25	28.3	91.0	31.116	230/460	
		900	324/6T	<a href="#">02009ET3H324T-W22</a>	\$6,339	N1	546	1.25	22.6	91.0	31.116	575	

*continued on next page*

Please refer to back cover for description of "NOTES"

For detailed specifications, data sheets, drawings and performance curves visit <http://www.weg.net>



### TEFC - Foot Mount - *continued*

HP	kW	RPM	Frame	Catalog Number	List Price	Mult. Symbol	Approx. Shipping Weight (lbs)	Service Factor	FL Amps @ High	FL Eff (%)	"C" Dimension (in)	Voltage (V)	Notes
25	18.5	3600	284/6TS	<a href="#">02536ET3E284TS-W22</a>	\$2,998	N1	391	1.25	28.5	91.7	26.557	230/460	
		3600	284/6TS	<a href="#">02536ET3H284TS-W22</a>	\$2,998	N1	405	1.25	22.8	91.7	26.557	575	
		1800	284/6TS	<a href="#">02518ET3E284TS-W22</a>	\$2,743	N1	438	1.25	29.5	93.6	26.557	230/460	
		1800	284/6T	<a href="#">02518ET3E284T-W22</a>	\$2,743	N1	408	1.25	29.5	93.6	27.929	230/460	
		1800	284/6T	<a href="#">02518ET3H284T-W22</a>	\$2,743	N1	439	1.25	23.6	93.6	27.929	575	
		1200	324/6T	<a href="#">02512ET3E324T-W22</a>	\$4,737	N1	569	1.25	30.4	93.0	31.116	230/460	
		1200	324/6T	<a href="#">02512ET3H324T-W22</a>	\$4,737	N1	583	1.25	24.3	93.0	31.116	575	
		900	324/6T	<a href="#">02509ET3E326T-W22</a>	\$7,315	N1	593	1.25	35.9	91.0	31.116	230/460	
		900	324/6T	<a href="#">02509ET3H326T-W22</a>	\$7,315	N1	593	1.25	28.7	91.0	31.116	575	
30	22	3600	284/6TS	<a href="#">03036ET3E286TS-W22</a>	\$3,561	N1	408	1.25	33.8	91.7	26.557	230/460	
		3600	284/6TS	<a href="#">03036ET3H286TS-W22</a>	\$3,561	N1	425	1.25	27.0	91.7	26.557	575	
		1800	284/6TS	<a href="#">03018ET3E286TS-W22</a>	\$3,223	N1	476	1.25	35.1	93.6	26.557	230/460	
		1800	284/6T	<a href="#">03018ET3E286T-W22</a>	\$3,223	N1	461	1.25	35.1	93.6	27.929	230/460	
		1800	284/6T	<a href="#">03018ET3H286T-W22</a>	\$3,223	N1	476	1.25	28.1	93.6	27.929	575	
		1200	324/6T	<a href="#">03012ET3E326T-W22</a>	\$5,273	N1	530	1.25	36.2	93.0	31.116	230/460	
		1200	324/6T	<a href="#">03012ET3H326T-W22</a>	\$5,273	N1	627	1.25	29.0	93.0	31.116	575	
		900	364/5T	<a href="#">03009ET3E364T-W22</a>	\$11,215	N1	899	1.25	37.0	92.4	34.251	230/460	
		40	30	3600	324/6TS	<a href="#">04036ET3E324TS-W22</a>	\$4,725	N1	546	1.25	45.8	92.4	29.616
3600	324/6TS			<a href="#">04036ET3H324TS-W22</a>	\$4,725	N1	589	1.25	36.6	92.4	29.616	575	
1800	324/6TS			<a href="#">04018ET3E324TS-W22</a>	\$4,178	N1	613	1.25	47.1	94.1	31.116	230/460	
1800	324/6T			<a href="#">04018ET3E324T-W22</a>	\$4,178	N1	591	1.25	47.1	94.1	31.116	230/460	
1800	324/6T			<a href="#">04018ET3H324T-W22</a>	\$4,178	N1	614	1.25	37.7	94.1	31.116	575	
1800	324/6T			<a href="#">04018ET3P324T-W22</a>	\$4,178	N1	625	1.25	108	94.1	31.116	200	
1200	364/5T			<a href="#">04012ET3E364T-W22</a>	\$7,284	N1	964	1.25	46.5	94.1	34.251	230/460	
1200	364/5T			<a href="#">04012ET3H364T-W22</a>	\$7,284	N1	904	1.25	37.2	94.1	34.251	575	
900	364/5T			<a href="#">04009ET3E365T-W22</a>	\$12,194	N1	954	1.25	50.3	92.4	34.251	230/460	
50	37	3600	324/6TS	<a href="#">05036ET3E326TS-W22</a>	\$5,316	N1	587	1.25	56.1	93.0	29.616	230/460	
		3600	324/6TS	<a href="#">05036ET3H326TS-W22</a>	\$5,316	N1	610	1.25	44.9	93.0	29.616	575	
		1800	324/6TS	<a href="#">05018ET3E326TS-W22</a>	\$5,100	N1	637	1.25	59.2	94.5	31.116	230/460	
		1800	324/6T	<a href="#">05018ET3E326T-W22</a>	\$5,100	N1	585	1.25	59.2	94.5	31.116	230/460	
		1800	324/6T	<a href="#">05018ET3H326T-W22</a>	\$5,100	N1	634	1.25	47.4	94.5	31.116	575	
		1200	364/5T	<a href="#">05012ET3E365T-W22</a>	\$8,518	N1	914	1.25	57.4	94.1	34.251	230/460	
		1200	364/5T	<a href="#">05012ET3H365T-W22</a>	\$8,518	N1	1026	1.25	45.9	94.1	34.251	575	
		900	404/5T	<a href="#">05009ET3E404T-W22</a>	\$17,648	N1	1214	1.25	60.0	93.0	39.73	230/460	
		60	45	3600	364/5TS	<a href="#">06036ET3E364TS-W22</a>	\$7,552	N1	855	1.25	67.0	93.6	32.338
3600	364/5TS			<a href="#">06036ET3G364TS-W22</a>	\$7,552	N1	961	1.25	67.0	93.6	32.338	460	
3600	364/5TS			<a href="#">06036ET3H364TS-W22</a>	\$7,552	N1	968	1.25	53.6	93.6	32.338	575	
1800	364/5TS			<a href="#">06018ET3E364TS-W22</a>	\$7,389	N1	1026	1.25	68.3	95.0	32.338	230/460	
1800	364/5T			<a href="#">06018ET3E364T-W22</a>	\$7,389	N1	946	1.25	68.3	95.0	34.251	230/460	
1800	364/5T			<a href="#">06018ET3G364T-W22</a>	\$7,389	N1	1025	1.25	68.3	95.0	34.251	460	
1800	364/5T			<a href="#">06018ET3H364T-W22</a>	\$7,389	N1	1033	1.25	54.6	95.0	34.251	575	
1200	404/5T			<a href="#">06012ET3E404T-W22</a>	\$10,497	N1	1252	1.25	69.5	94.5	39.730	230/460	
1200	404/5T			<a href="#">06012ET3ERB404T-W22</a>	\$10,497	N1	1262	1.25	69.5	94.5	39.730	230/460	14
1200	404/5T			<a href="#">06012ET3G404T-W22</a>	\$10,497	N1	1213	1.25	69.5	94.5	39.730	460	
1200	404/5T			<a href="#">06012ET3H404T-W22</a>	\$10,497	N1	1255	1.25	55.6	94.5	39.730	575	
900	404/5T			<a href="#">06009ET3E405T-W22</a>	\$20,443	N1	1263	1.25	73.0	93.0	39.730	230/460	

Severe Duty - Three-Phase Motors

*continued on next page*

Please refer to back cover for description of "NOTES"

For detailed specifications, data sheets, drawings and performance curves visit [http:// www.weg.net](http://www.weg.net)

Data subject to change without notice.

Can't find what you are looking for? Call 1-800-ASK-4WEG (275-4934)

# Severe Duty - Three-Phase Motors



## GENERAL PURPOSE

### TEFC - Foot Mount - *continued*

HP	kW	RPM	Frame	Catalog Number	List Price	Mult. Symbol	Approx. Shipping Weight (lbs)	Service Factor	FL Amps @ High	FL. Eff (%)	"C" Dimension (in)	Voltage (V)	Notes
75	55	3600	364/5TS	<a href="#">07536ET3E365TS-W22</a>	\$9,091	N1	900	1.25	81.9	93.6	32.338	230/460	
		3600	364/5TS	<a href="#">07536ET3G365TS-W22</a>	\$9,091	N1	963	1.25	81.9	93.6	32.338	460	
		3600	364/5TS	<a href="#">07536ET3H365TS-W22</a>	\$9,091	N1	967	1.25	65.5	93.6	32.338	575	
		1800	364/5TS	<a href="#">07518ET3E365TS-W22</a>	\$8,705	N1	988	1.25	84.1	95.4	32.338	230/460	
		1800	364/5T	<a href="#">07518ET3E365T-W22</a>	\$8,705	N1	969	1.25	84.1	95.4	34.251	230/460	
		1800	364/5T	<a href="#">07518ET3G365T-W22</a>	\$8,705	N1	1045	1.25	84.1	95.4	34.251	460	
		1800	364/5T	<a href="#">07518ET3H365T-W22</a>	\$8,705	N1	1050	1.25	67.3	95.4	34.251	575	
		1200	404/5T	<a href="#">07512ET3E405T-W22</a>	\$12,058	N1	1303	1.25	84.9	94.5	39.730	230/460	
		1200	404/5T	<a href="#">07512ET3ERB405T-W22</a>	\$12,058	N1	1262	1.25	84.9	94.5	39.730	230/460	14
		1200	404/5T	<a href="#">07512ET3G405T-W22</a>	\$12,058	N1	1298	1.25	84.9	94.5	39.730	460	
		1200	404/5T	<a href="#">07512ET3GRB405T-W22</a>	\$12,058	N1	1309	1.25	84.9	94.5	39.730	460	14
		1200	404/5T	<a href="#">07512ET3H405T-W22</a>	\$12,058	N1	1303	1.25	67.9	94.5	39.730	575	
		900	444/5T	<a href="#">07509ET3E444T-W22</a>	\$23,334	N1	1665	1.25	93.0	93.6	45.157	230/460	
		900	444/5T	<a href="#">07509ET3QRB444TF2-W2</a>	\$23,334	N1	1707	1.25	93.0	93.6	45.157	460	14
100	75	3600	404/5TS	<a href="#">10036ET3E405TS-W22</a>	\$12,002	N1	1024	1.25	110	94.1	36.732	230/460	
		3600	404/5TS	<a href="#">10036ET3G405TS-W22</a>	\$12,002	N1	1176	1.25	110	94.1	36.732	460	
		3600	404/5TS	<a href="#">10036ET3H405TS-W22</a>	\$12,002	N1	1182	1.25	88.0	94.1	36.732	575	
		1800	404/5TS	<a href="#">10018ET3E405TS-W22</a>	\$11,689	N1	1266	1.25	111	95.4	36.732	230/460	
		1800	404/5T	<a href="#">10018ET3E405T-W22</a>	\$11,689	N1	1190	1.25	111	95.4	39.730	230/460	
		1800	404/5T	<a href="#">10018ET3ERB405T-W22</a>	\$11,689	N1	1239	1.25	111	95.4	39.730	230/460	14
		1800	404/5T	<a href="#">10018ET3G405T-W22</a>	\$11,689	N1	1280	1.25	111	95.4	39.730	460	
		1800	404/5T	<a href="#">10018ET3GRB405T-W22</a>	\$11,689	N1	1199	1.25	111	95.4	39.730	460	14
		1800	404/5T	<a href="#">10018ET3H405T-W22</a>	\$11,689	N1	1283	1.25	88.8	95.4	39.730	575	
		1800	404/5T	<a href="#">10018ET3HRB405T-W22</a>	\$11,689	N1	1294	1.25	88.8	95.4	39.730	575	14
		1200	444/5T	<a href="#">10012ET3E444T-W22</a>	\$15,631	N1	1786	1.25	121	95.0	45.157	230/460	
		1200	444/5T	<a href="#">10012ET3ERB444T-W22</a>	\$15,631	N1	1859	1.25	121	95.0	45.157	230/460	14
		1200	444/5T	<a href="#">10012ET3G444T-W22</a>	\$15,631	N1	1840	1.25	121	95.0	45.157	460	
		1200	444/5T	<a href="#">10012ET3GRB444T-W22</a>	\$15,631	N1	1854	1.25	121	95.0	45.157	460	14
		1200	444/5T	<a href="#">10012ET3H444T-W22</a>	\$15,631	N1	1837	1.25	96.8	95.0	45.157	575	
		900	444/5T	<a href="#">10009ET3E445T-W22</a>	\$26,988	N1	1900	1.25	127	94.1	45.157	230/460	
900	444/5T	<a href="#">10009ET3G445T-W22</a>	\$26,988	N1	1939	1.25	127	94.1	45.157	460			

*continued on next page*

Please refer to back cover for description of "NOTES"

For detailed specifications, data sheets, drawings and performance curves visit <http://www.weg.net>

Data subject to change without notice.





### TEFC - Foot Mount - *continued*

HP	kW	RPM	Frame	Catalog Number	List Price	Mult. Symbol	Approx. Shipping Weight (lbs)	Service Factor	FL Amps @ High	FL. Eff (%)	"C" Dimension (in)	Voltage (V)	Notes
125	90	3600	444/5TS	<a href="#">12536ET3E444TS-W22</a>	\$15,350	N1	1802	1.15	134	95.0	41.407	230/460	
		3600	444/5TS	<a href="#">12536ET3G444TS-W22</a>	\$15,350	N1	1798	1.15	134	95.0	41.407	460	
		3600	444/5TS	<a href="#">12536ET3H444TS-W22</a>	\$15,350	N1	1795	1.15	107	95.0	41.407	575	
		1800	444/5TS	<a href="#">12518ET3E444TS-W22</a>	\$14,748	N1	1627	1.15	139	95.4	41.407	230/460	
		1800	444/5T	<a href="#">12518ET3E444T-W22</a>	\$14,748	N1	1699	1.15	139	95.4	45.157	230/460	
		1800	444/5T	<a href="#">12518ET3ERB444T-W22</a>	\$14,748	N1	1730	1.15	139	95.4	45.157	230/460	14
		1800	444/5T	<a href="#">12518ET3G444T-W22</a>	\$14,748	N1	1710	1.15	139	95.4	45.157	460	
		1800	444/5T	<a href="#">12518ET3GRB444T-W22</a>	\$14,748	N1	1736	1.15	139	95.4	45.157	460	14
		1800	444/5T	<a href="#">12518ET3H444T-W22</a>	\$14,748	N1	1815	1.15	111	95.4	45.157	575	
		1200	444/5T	<a href="#">12512ET3E445T-W22</a>	\$17,947	N1	1980	1.15	143	95.0	45.157	230/460	
		1200	444/5T	<a href="#">12512ET3ERB445T-W22</a>	\$17,947	N1	1993	1.15	143	95.0	45.157	230/460	14
		1200	444/5T	<a href="#">12512ET3G445T-W22</a>	\$17,947	N1	1893	1.15	143	95.0	45.157	460	
		1200	444/5T	<a href="#">12512ET3GRB445T-W22</a>	\$17,947	N1	1996	1.15	143	95.0	45.157	460	14
		1200	444/5T	<a href="#">12512ET3H445T-W22</a>	\$17,947	N1	1974	1.15	114	95.0	45.157	575	
		900	445/7T	<a href="#">12509ET3G447T-W22</a>	\$28,175	N1	2235	1.15	151	94.5	48.701	460	
150	110	3600	444/5TS	<a href="#">15036ET3E445TS-W22</a>	\$18,882	N1	1899	1.15	161	95.0	41.407	230/460	
		3600	444/5TS	<a href="#">15036ET3G445TS-W22</a>	\$18,882	N1	1908	1.15	161	95.0	41.407	460	
		1800	444/5TS	<a href="#">15018ET3G445TS-W22</a>	\$17,420	N1	1869	1.15	170	95.8	41.407	460	
		1800	444/5T	<a href="#">15018ET3E445T-W22</a>	\$17,420	N1	1918	1.15	170	95.8	45.157	230/460	
		1800	444/5T	<a href="#">15018ET3G445T-W22</a>	\$17,420	N1	1905	1.15	170	95.8	45.157	460	
		1800	444/5T	<a href="#">15018ET3GRB445T-W22</a>	\$17,420	N1	1853	1.15	170	95.8	45.157	460	14
		1800	444/5T	<a href="#">15018ET3H445T-W22</a>	\$17,420	N1	1958	1.15	136	95.8	45.157	575	
		1800	444/5T	<a href="#">15018ET3HRB445T-W22</a>	\$17,420	N1	2034	1.15	136	95.8	45.157	575	14
		1200	445/7T	<a href="#">15012ET3E447T-W22</a>	\$20,639	N1	2354	1.15	176	95.8	48.701	230/460	
		1200	445/7T	<a href="#">15012ET3G447T-W22</a>	\$20,639	N1	2472	1.15	176	95.8	48.701	460	
		1200	445/7T	<a href="#">15012ET3GRB447T-W22</a>	\$20,639	N1	2371	1.15	176	95.8	48.701	460	14
		1200	445/7T	<a href="#">15012ET3H447T-W22</a>	\$20,639	N1	2467	1.15	141	95.8	48.701	575	
		900	447/9T	<a href="#">15009ET3G449T-W22</a>	\$30,677	N1	3079	1.15	185	94.5	56.338	460	

*continued on next page*

Severe Duty - Three-Phase Motors

Please refer to back cover for description of "NOTES"

For detailed specifications, data sheets, drawings and performance curves visit <http://www.weg.net>

Data subject to change without notice.

Can't find what you are looking for? Call 1-800-ASK-4WEG (275-4934)

# Severe Duty - Three-Phase Motors



## GENERAL PURPOSE

### TEFC - Foot Mount - *continued*

HP	kW	RPM	Frame	Catalog Number	List Price	Mult. Symbol	Approx. Shipping Weight (lbs)	Service Factor	FL Amps @ High	FL Eff (%)	"C" Dimension (in)	Voltage (V)	Notes
200	150	3600	445/7TS	<a href="#">20036ET3E447TS-W22</a>	\$23,562	N1	2224	1.15	219	95.4	44.951	230/460	
		3600	445/7TS	<a href="#">20036ET3G447TS-W22</a>	\$23,562	N1	2046	1.15	219	95.4	44.951	460	
		3600	504/5S	<a href="#">20036ET3G504S-W22</a>	\$23,562	N1	2373	1.15	222	95.4	48.215	460	
		1800	445/7TS	<a href="#">20018ET3G447TS-W22</a>	\$21,098	N1	2138	1.15	230	96.2	44.951	460	
		1800	445/7T	<a href="#">20018ET3E447T-W22</a>	\$21,098	N1	2349	1.15	230	96.2	48.701	230/460	
		1800	445/7T	<a href="#">20018ET3G447T-W22</a>	\$21,098	N1	2224	1.15	230	96.2	48.701	460	
		1800	445/7T	<a href="#">20018ET3GRB447T-W22</a>	\$21,098	N1	2209	1.15	230	96.2	48.701	460	14
		1800	445/7T	<a href="#">20018ET3H447T-W22</a>	\$21,098	N1	2477	1.15	184	96.2	48.701	575	
		1800	445/7T	<a href="#">20018ET3HRB447T-W22</a>	\$21,098	N1	1850	1.15	184	96.2	48.701	575	14
		1800	504/5	<a href="#">20018ET3G504-W22</a>	\$21,098	N1	2621	1.15	228	96.2	54.095	460	
		1200	445/7T	<a href="#">20012ET3G447T-W22</a>	\$25,133	N1	2406	1.15	237	95.8	48.701	460	
		1200	445/7T	<a href="#">20012ET3GRB447T-W22</a>	\$25,133	N1	2588	1.15	237	95.8	48.701	460	14
		1200	447/9T	<a href="#">20012ET3E449T-W22</a>	\$25,255	N1	2495	1.15	237	95.8	56.338	230/460	
		1200	447/9T	<a href="#">20012ET3G449T-W22</a>	\$25,255	N1	3044	1.15	237	95.8	56.338	460	
		1200	447/9T	<a href="#">20012ET3GRB449T-W22</a>	\$25,255	N1	2940	1.15	237	95.8	56.338	460	14
		1200	447/9T	<a href="#">20012ET3H449T-W22</a>	\$25,255	N1	2933	1.15	190	95.8	56.338	575	
		1200	504/5	<a href="#">20012ET3G505-W22</a>	\$25,133	N1	2467	1.15	237	95.8	54.095	460	
		900	447/9T	<a href="#">20009ET3G449T-W22</a>	\$49,899	N1	3255	1.15	254	95.0	56.338	460	
250	185	3600	445/7TS	<a href="#">25036ET3G447TS-W22</a>	\$29,846	N1	2535	1.15	266	95.8	44.951	460	
		3600	447/9TS	<a href="#">25036ET3G449TS-W22</a>	\$33,173	N1	2730	1.15	266	95.8	52.588	460	
		1800	445/7TS	<a href="#">25018ET3G447TS-W22</a>	\$27,189	N1	2709	1.15	281	96.2	44.951	460	
		1800	445/7T	<a href="#">25018ET3H447T-W22</a>	\$26,716	N1	2710	1.15	225	96.2	48.701	575	
		1800	445/7TS	<a href="#">25018ET3H447TS-W22</a>	\$27,189	N1	2896	1.15	225	96.2	44.951	575	
		1800	445/7T	<a href="#">25018ET3G447T-W22</a>	\$26,716	N1	2446	1.15	281	96.2	48.701	460	
		1800	445/7T	<a href="#">25018ET3GRB447T-W22</a>	\$26,716	N1	2554	1.15	281	96.2	48.701	460	14
		1800	445/7T	<a href="#">25018ET3HRB447T-W22</a>	\$26,716	N1	2414	1.15	225	96.2	48.701	575	14
		1800	447/9T	<a href="#">25018ET3G449T-W22</a>	\$26,803	N1	2879	1.15	281	96.2	56.338	460	
		1800	447/9T	<a href="#">25018ET3GRB449T-W22</a>	\$26,803	N1	2815	1.15	281	96.2	56.338	460	14
		1200	447/9T	<a href="#">25012ET3E449T-W22</a>	\$35,555	N1	3217	1.15	292	95.8	56.338	230/460	
		1200	447/9T	<a href="#">25012ET3G449T-W22</a>	\$35,555	N1	3090	1.15	292	95.8	56.338	460	
		1200	447/9T	<a href="#">25012ET3GRB449T-W22</a>	\$35,555	N1	3224	1.15	292	95.8	56.338	460	14
		1200	447/9T	<a href="#">25012ET3H449T-W22</a>	\$35,555	N1	3206	1.15	234	95.8	56.338	575	
		1200	586/7	<a href="#">25012ET3G586/7-W22</a>	\$39,631	N1	3769	1.15	299	95.8	61.902	460	43
		900	L447/9T	<a href="#">25009ET3G449T-W22</a>	\$56,168	N1	3590	1.15	308	95.4	57.181	460	43
300	220	3600	447/9TS	<a href="#">30036ET3G449TS-W22</a>	\$38,269	N1	2987	1.15	320	95.8	52.588	460	
		1800	447/9TS	<a href="#">30018ET3G449TS-W22</a>	\$31,384	N1	2894	1.15	330	96.2	52.588	460	44
		1800	447/9T	<a href="#">30018ET3G449T-W22</a>	\$31,384	N1	2888	1.15	330	96.2	56.338	460	
		1800	447/9T	<a href="#">30018ET3GRB449T-W22</a>	\$31,384	N1	2992	1.15	330	96.2	56.338	460	14
		1200	447/9T	<a href="#">30012ET3G449T-W22</a>	\$38,437	N1	3178	1.00	356	95.8	56.338	460	37
		1200	447/9T	<a href="#">30012ET3GKD449T-W22</a>	\$38,437	K1	3313	1.00	356	95.8	56.338	460	14
		1200	586/7	<a href="#">30012ET3G586/7-W22</a>	\$44,301	N1	4061	1.15	356	95.8	61.902	460	43
900	L447/9T	<a href="#">30009ET3G449T-W22</a>	\$58,655	N1	3826	1.15	371	95.4	57.181	460	19;43		

*continued on next page*

Please refer to back cover for description of "NOTES"

For detailed specifications, data sheets, drawings and performance curves visit <http://www.weg.net>

Severe Duty - Three-Phase Motors



### TEFC - Foot Mount - *continued*

HP	kW	RPM	Frame	Catalog Number	List Price	Mult. Symbol	Approx. Shipping Weight (lbs)	Service Factor	FL Amps @ High	FL Eff (%)	"C" Dimension (in)	Voltage (V)	Notes
350	260	3600	447/9TS	<a href="#">35036ET3G449TS-W22</a>	\$43,805	N1	3120	1.15	377	96.2	52.588	460	
		1800	447/9TS	<a href="#">35018ET3G449TS-W22</a>	\$36,517	N1	3123	1.15	394	96.2	52.588	460	44
		1800	447/9T	<a href="#">35018ET3G449T-W22</a>	\$36,517	N1	3168	1.15	394	96.2	56.338	460	
		1800	447/9T	<a href="#">35018ET3GRB449T-W22</a>	\$36,517	N1	2941	1.15	394	96.2	56.338	460	14
		1200	L447/9T	<a href="#">35012ET3G449T-W22</a>	\$47,633	N1	3781	1.15	415	95.8	57.181	460	37;43
		1200	L447/9T	<a href="#">35012ET3GRB449T-W22</a>	\$47,633	N1	3800	1.15	415	95.8	57.181	460	14;19;37;43
		900	586/7	<a href="#">35009ET3G586/7-W22</a>	\$64,873	N1	5028	1.00	426	95.8	61.902	460	1;19;43
400	300	3600	L447/9TS	<a href="#">40036ET3G449TS-W22</a>	\$44,605	N1	3361	1.15	432	95.8	53.431	460	43
		1800	L447/9TS	<a href="#">40018ET3G449TS-W22</a>	\$43,805	N1	3328	1.15	445	96.2	53.431	460	43
		1800	L447/9T	<a href="#">40018ET3G449T-W22</a>	\$43,805	N1	3416	1.15	445	96.2	57.181	460	43
		1800	L447/9T	<a href="#">40018ET3GRB449T-W22</a>	\$43,805	N1	3404	1.15	445	96.2	57.181	460	14;43
		1800	L447/9T	<a href="#">40018ET3H449T-W22</a>	\$43,805	N1	3400	1.15	356	96.2	57.181	575	43
		1200	L447/9T	<a href="#">40012ET3G449T-W22</a>	\$52,307	N1	3720	1.00	477	95.8	57.181	460	19;37;43
		1200	L447/9T	<a href="#">40012ET3GRB449T-W22</a>	\$52,307	N1	3827	1.00	477	95.8	57.181	460	14;19;37;43
		1200	586/7	<a href="#">40012ET3G586/7-W22</a>	\$56,201	N1	4663	1.15	483	96.2	61.902	460	43
		900	588/9	<a href="#">40009ET3G588/9-W22</a>	\$66,123	N1	3308	1.00	498	95.7	69.381	460	1;19;43
450	330	3600	L447/9TS	<a href="#">45036ET3G449TS-W22</a>	\$49,610	N1	3537	1.00	475	95.8	53.431	460	1;19;43
		1800	L447/9T	<a href="#">45018ET3G449T-W22</a>	\$48,010	N1	3681	1.15	501	96.2	57.181	460	43
		1800	L447/9T	<a href="#">45018ET3GRB449T-W22</a>	\$48,010	N1	3657	1.15	501	96.2	57.181	460	14;43
		1200	586/7	<a href="#">45012ET3G586/7-W22</a>	\$62,251	N1	4957	1.00	532	96.2	61.902	460	1;19;43
		1200	586/7	<a href="#">45012ET3GRB586/7-W22</a>	\$62,251	N1	5248	1.00	532	96.2	61.902	460	1;19;14;43
		900	588/9	<a href="#">45009ET3G588/9-W22</a>	\$68,715	N1	5915	1.00	534	95.8	69.381	460	1;19;43;44
500	370	3600	586/7S	<a href="#">50036ET3G586/7S-W22</a>	\$56,305	N1	4649	1.15	530	96.2	55.027	460	43;44
		1800	L447/9T	<a href="#">50018ET3G449T-W22</a>	\$50,594	N1	3889	1.00	561	96.2	57.181	460	1;19;43
		1800	L447/9T	<a href="#">50018ET3GRB449T-W22</a>	\$50,594	N1	5424	1.00	561	96.2	57.181	460	1;14;19;43
		1200	586/7	<a href="#">50012ET3G586/7-W22</a>	\$62,962	N1	4916	1.00	603	96.2	61.902	460	1;19;43;44
600	450	3600	588/9S	<a href="#">60036ET3G588/9S-W22</a>	\$64,635	N1	5142	1.00	650	96.5	62.506	460	1;19;43;44
		1800	586/7	<a href="#">60018ET3G586/7-W22</a>	\$60,316	N1	4963	1.00	665	96.5	61.902	460	1;19;43;44
		1200	588/9	<a href="#">60012ET3G588/9-W22</a>	\$71,374	N1	6168	1.00	743	96.2	69.381	460	1;19;43;44
650	480	3600	588/9S	<a href="#">65036ET3G588/9S-W22</a>	\$66,835	N1	4805	1.00	685	96.6	62.506	460	1;19;43;44
		1800	588/9	<a href="#">65018ET3G588/9-W22</a>	\$66,701	N1	5597	1.00	734	96.6	69.381	460	1;19;43;44
700	515	3600	588/9S	<a href="#">70036ET3G588/9S-W22</a>	\$71,254	N1	5680	1.00	736	96.6	62.506	460	1;19;43;44
		1800	588/9	<a href="#">70018ET3G588/9-W22</a>	\$71,185	N1	5940	1.00	788	96.6	69.381	460	1;19;43;44
750	550	1800	588/9	<a href="#">75018ET3G588/9-W22</a>	\$74,025	N1	6154	1.00	840	96.7	69.381	460	1;19;43;44

Severe Duty - Three-Phase Motors

Please refer to back cover for description of "NOTES"

For detailed specifications, data sheets, drawings and performance curves visit <http://www.weg.net>

Data subject to change without notice.

Can't find what you are looking for? Call 1-800-ASK-4WEG (275-4934)

# Severe Duty - Three-Phase Motors



GENERAL PURPOSE

## TEFC - C-Face - Foot Mount

HP	kW	RPM	Frame	Catalog Number	List Price	Mult. Symbol	Approx. Shipping Weight (lbs)	Service Factor	FL Amps @ High	FL Eff (%)	"C" Dimension (in)	Voltage (V)	Notes
1	0.75	3600	143/5TC	<a href="#">00136ET3E143TC-W22</a>	\$566	N1	47	1.25	1.44	81.5	13.358	230/460	
		1800	143/5TC	<a href="#">00118ET3E143TC-W22</a>	\$555	N1	50	1.25	1.47	85.5	13.358	230/460	
		1800	143/5TC	<a href="#">00118ET3H143TC-W22</a>	\$555	N1	50	1.25	1.18	85.5	13.358	575	
		1200	143/5TC	<a href="#">00112ET3E145TC-W22</a>	\$636	N1	57	1.25	1.73	82.5	13.358	230/460	
1.5	1.1	3600	143/5TC	<a href="#">00156ET3E143TC-W22</a>	\$571	N1	52	1.25	1.96	84.0	13.358	230/460	
		3600	143/5TC	<a href="#">00156ET3H143TC-W22</a>	\$571	N1	51	1.25	1.57	84.0	13.358	575	
		1800	143/5TC	<a href="#">00158ET3E145TC-W22</a>	\$579	N1	56	1.25	2.02	86.5	13.358	230/460	
		1800	143/5TC	<a href="#">00158ET3H145TC-W22</a>	\$579	N1	56	1.25	1.62	86.5	13.358	575	
		1200	182/4TC	<a href="#">00152ET3E182TC-W22</a>	\$792	N1	101	1.25	2.54	87.5	15.860	230/460	
2	1.5	3600	143/5TC	<a href="#">00236ET3E145TC-W22</a>	\$619	N1	56	1.25	2.56	85.5	13.358	230/460	
		3600	143/5TC	<a href="#">00236ET3H145TC-W22</a>	\$619	N1	56	1.25	2.05	85.5	13.358	575	
		1800	143/5TC	<a href="#">00218ET3E145TC-W22</a>	\$640	N1	53	1.25	2.76	86.5	13.358	230/460	
		1800	143/5TC	<a href="#">00218ET3H145TC-W22</a>	\$640	N1	57	1.25	2.21	86.5	13.358	575	
		1200	182/4TC	<a href="#">00212ET3E184TC-W22</a>	\$857	N1	112	1.25	3.22	88.5	15.860	230/460	39
3	2.2	3600	182/4TC	<a href="#">00336ET3E182TC-W22</a>	\$802	N1	103	1.25	3.63	86.5	15.860	230/460	
		3600	182/4TC	<a href="#">00336ET3H182TC-W22</a>	\$802	N1	103	1.25	2.90	86.5	15.860	575	
		1800	182/4TC	<a href="#">00318ET3E182TC-W22</a>	\$700	N1	96	1.25	3.91	89.5	15.860	230/460	
		1800	182/4TC	<a href="#">00318ET3H182TC-W22</a>	\$700	N1	98	1.25	3.13	89.5	15.860	575	
		1200	213/5TC	<a href="#">00312ET3E213TC-W22</a>	\$1,180	N1	166	1.25	4.41	89.5	19.517	230/460	
		900	213/5TC	<a href="#">00309ET3E215TC-W22</a>	\$2,166	N1	192	1.25	4.55	85.5	19.517	230/460	
5	3.7	3600	182/4TC	<a href="#">00536ET3E184TC-W22</a>	\$911	N1	110	1.25	5.90	88.5	15.860	230/460	
		3600	182/4TC	<a href="#">00536ET3H184TC-W22</a>	\$911	N1	109	1.25	4.72	88.5	15.860	575	
		1800	182/4TC	<a href="#">00518ET3E184TC-W22</a>	\$810	N1	107	1.25	6.45	89.5	15.860	230/460	
		1800	182/4TC	<a href="#">00518ET3H184TC-W22</a>	\$810	N1	108	1.25	5.16	89.5	15.860	575	
		1200	213/5TC	<a href="#">00512ET3E215TC-W22</a>	\$1,384	N1	183	1.25	6.83	89.5	19.517	230/460	
7.5	5.5	3600	182/4TC	<a href="#">00736ET3E184TC-W22</a>	\$1,112	N1	110	1.25	8.76	89.5	15.860	230/460	
		3600	182/4TC	<a href="#">00736ET3H184TC-W22</a>	\$1,112	N1	109	1.25	7.01	89.5	15.860	575	
		3600	213/5TC	<a href="#">00736ET3E213TC-W22</a>	\$1,177	N1	166	1.25	8.76	89.5	19.517	230/460	
		3600	213/5TC	<a href="#">00736ET3H213TC-W22</a>	\$1,177	N1	166	1.25	7.01	89.5	19.517	575	
		1800	213/5TC	<a href="#">00718ET3E213TC-W22</a>	\$1,141	N1	174	1.25	9.18	91.7	19.517	230/460	
		1800	213/5TC	<a href="#">00718ET3H213TC-W22</a>	\$1,141	N1	178	1.25	7.34	91.7	19.517	575	
		1200	254/6TC	<a href="#">00712ET3E254TC-W22</a>	\$2,134	N1	321	1.25	9.48	91.0	24.945	230/460	
		900	254/6TC	<a href="#">00709ET3E256TC-W22</a>	\$3,726	N1	341	1.25	11.1	87.5	24.945	230/460	
10	7.5	3600	213/5TC	<a href="#">01036ET3E215TC-W22</a>	\$1,383	N1	178	1.25	11.6	90.2	19.517	230/460	
		3600	213/5TC	<a href="#">01036ET3H215TC-W22</a>	\$1,383	N1	183	1.25	9.28	90.2	19.517	575	
		1800	213/5TC	<a href="#">01018ET3E215TC-W22</a>	\$1,325	N1	183	1.25	12.4	91.7	19.517	230/460	
		1800	213/5TC	<a href="#">01018ET3H215TC-W22</a>	\$1,325	N1	191	1.25	9.92	91.7	19.517	575	
		1200	254/6TC	<a href="#">01012ET3E256TC-W22</a>	\$2,465	N1	329	1.25	12.9	91.0	24.945	230/460	
15	11	3600	213/5TC	<a href="#">01536ET3E215TC-W22</a>	\$1,748	N1	187	1.25	17.0	91.0	19.517	230/460	
		3600	254/6TC	<a href="#">01536ET3E254TC-W22</a>	\$1,893	N1	295	1.25	17.2	91.0	24.945	230/460	
		3600	254/6TC	<a href="#">01536ET3H254TC-W22</a>	\$1,893	N1	302	1.25	13.8	91.0	24.945	575	
		1800	254/6TC	<a href="#">01518ET3E254TC-W22</a>	\$1,917	N1	340	1.25	18.0	92.4	24.945	230/460	
		1800	254/6TC	<a href="#">01518ET3H254TC-W22</a>	\$1,917	N1	351	1.25	14.4	92.4	24.945	575	
		1200	284/6TC	<a href="#">01512ET3E284TC-W22</a>	\$3,388	N1	430	1.25	17.9	91.7	27.929	230/460	
		1200	284/6TC	<a href="#">01512ET3H284TC-W22</a>	\$3,388	N1	428	1.25	14.3	91.7	27.929	575	

continued on next page

Please refer to back cover for description of "NOTES"

For detailed specifications, data sheets, drawings and performance curves visit <http://www.weg.net>

Data subject to change without notice.



### TEFC - C-Face - Foot Mount - *continued*

HP	kW	RPM	Frame	Catalog Number	List Price	Mult. Symbol	Approx. Shipping Weight (lbs)	Service Factor	FL Amps @ High	FL. Eff (%)	"C" Dimension (in)	Voltage (V)	Notes
20	15	3600	254/6TC	<a href="#">02036ET3E256TC-W22</a>	\$2,451	N1	318	1.25	23.2	91.0	24.945	230/460	
		3600	254/6TC	<a href="#">02036ET3H256TC-W22</a>	\$2,451	N1	327	1.25	18.6	91.0	24.945	575	
		1800	254/6TC	<a href="#">02018ET3E256TC-W22</a>	\$2,270	N1	389	1.25	24.1	93.0	24.945	230/460	
		1800	254/6TC	<a href="#">02018ET3H256TC-W22</a>	\$2,270	N1	401	1.25	19.3	93.0	24.945	575	
		1200	284/6TC	<a href="#">02012ET3E286TC-W22</a>	\$4,060	N1	457	1.25	24.2	91.7	27.929	230/460	
25	18.5	3600	284/6TSC	<a href="#">02536ET3E284TSC-W22</a>	\$3,096	N1	416	1.25	28.5	91.7	26.557	230/460	
		3600	284/6TSC	<a href="#">02536ET3H284TSC-W22</a>	\$3,096	N1	413	1.25	22.8	91.7	26.557	575	
		1800	284/6TC	<a href="#">02518ET3E284TC-W22</a>	\$2,840	N1	418	1.25	29.5	93.6	27.929	230/460	
		1800	284/6TC	<a href="#">02518ET3H284TC-W22</a>	\$2,840	N1	447	1.25	23.6	93.6	27.929	575	
		1200	324/6TC	<a href="#">02512ET3E324TC-W22</a>	\$4,858	N1	601	1.25	30.4	93.0	31.116	230/460	
30	22	3600	284/6TSC	<a href="#">03036ET3E286TSC-W22</a>	\$3,659	N1	433	1.25	33.8	91.7	26.557	230/460	
		3600	284/6TSC	<a href="#">03036ET3H286TSC-W22</a>	\$3,659	N1	433	1.25	27.0	91.7	26.557	575	
		1800	284/6TC	<a href="#">03018ET3E286TC-W22</a>	\$3,321	N1	466	1.25	35.1	93.6	27.929	230/460	
		1800	284/6TC	<a href="#">03018ET3H286TC-W22</a>	\$3,321	N1	484	1.25	28.1	93.6	27.929	575	
		1200	324/6TC	<a href="#">03012ET3E326TC-W22</a>	\$5,394	N1	645	1.25	36.2	93.0	31.116	230/460	
40	30	3600	324/6TSC	<a href="#">04036ET3E324TSC-W22</a>	\$4,845	N1	606	1.25	45.8	92.4	29.616	230/460	
		3600	324/6TSC	<a href="#">04036ET3H324TSC-W22</a>	\$4,845	N1	605	1.25	36.6	92.4	29.616	575	
		1800	324/6TSC	<a href="#">04018ET3E324TSC-W22</a>	\$4,300	N1	629	1.25	47.1	94.1	29.616	230/460	
		1800	324/6TC	<a href="#">04018ET3E324TC-W22</a>	\$4,300	N1	606	1.25	47.1	94.1	31.116	230/460	
		1800	324/6TC	<a href="#">04018ET3H324TC-W22</a>	\$4,300	N1	630	1.25	37.7	94.1	31.116	575	
		1200	364/5TC	<a href="#">04012ET3E364TC-W22</a>	\$7,576	N1	1032	1.25	46.5	94.1	34.251	230/460	
50	37	3600	324/6TSC	<a href="#">05036ET3E326TSC-W22</a>	\$5,437	N1	628	1.25	56.1	93.0	29.616	230/460	
		1800	324/6TSC	<a href="#">05018ET3E326TSC-W22</a>	\$5,221	N1	614	1.25	59.2	94.5	29.616	230/460	
		1800	324/6TC	<a href="#">05018ET3E326TC-W22</a>	\$5,221	N1	625	1.25	59.2	94.5	31.116	230/460	
		1800	324/6TC	<a href="#">05018ET3H326TC-W22</a>	\$5,221	N1	651	1.25	47.4	94.5	31.116	575	
		1200	364/5TC	<a href="#">05012ET3E365TC-W22</a>	\$8,960	N1	1048	1.25	57.4	94.1	34.251	230/460	
60	45	3600	364/5TSC	<a href="#">06036ET3E364TSC-W22</a>	\$7,994	N1	990	1.25	67.0	93.6	32.338	230/460	
		3600	364/5TSC	<a href="#">06036ET3H364TSC-W22</a>	\$7,994	N1	992	1.25	53.6	93.6	32.338	575	
		1800	364/5TC	<a href="#">06018ET3E364TC-W22</a>	\$7,831	N1	961	1.25	68.3	95.0	34.251	230/460	
		1800	364/5TC	<a href="#">06018ET3H364TC-W22</a>	\$7,831	N1	1060	1.25	54.6	95.0	34.251	575	
75	55	3600	364/5TSC	<a href="#">07536ET3E365TSC-W22</a>	\$9,533	N1	993	1.25	81.9	93.6	32.338	230/460	
		1800	364/5TC	<a href="#">07518ET3E365TC-W22</a>	\$9,148	N1	1024	1.25	84.1	95.4	34.251	230/460	
		1800	364/5TC	<a href="#">07518ET3H365TC-W22</a>	\$9,148	N1	1075	1.25	67.3	95.4	34.251	575	
		1200	404/5TC	<a href="#">07512ET3H405TC-W22</a>	\$12,549	N1	1337	1.25	67.9	94.5	39.730	575	
100	75	1800	404/5TSC	<a href="#">10018ET3E405TSC-W22</a>	\$12,179	N1	1256	1.25	111	95.4	36.732	230/460	
		1800	404/5TC	<a href="#">10018ET3E405TC-W22</a>	\$12,179	N1	1256	1.25	111	95.4	39.730	230/460	
		1800	404/5TC	<a href="#">10018ET3H405TC-W22</a>	\$12,179	N1	1318	1.25	88.8	95.4	39.730	575	
125	90	1800	444/5TSC	<a href="#">12518ET3G444TSC-W22</a>	\$16,218	N1	1759	1.15	139	95.4	41.407	460	
		1800	444/5TC	<a href="#">12518ET3E444TC-W22</a>	\$16,218	N1	1887	1.15	139	95.4	45.157	230/460	
		1800	444/5TC	<a href="#">12518ET3G444TC-W22</a>	\$16,218	N1	1851	1.15	139	95.4	45.157	460	
		1800	444/5TC	<a href="#">12518ET3H444TC-W22</a>	\$16,218	N1	1851	1.15	111	95.4	45.157	575	
150	110	1800	444/5TC	<a href="#">15018ET3E445TC-W22</a>	\$18,025	N1	1919	1.15	170	95.8	45.157	230/460	
		1800	444/5TC	<a href="#">15018ET3G445TC-W22</a>	\$18,025	N1	1997	1.15	170	95.8	45.157	460	

*continued on next page*

Please refer to back cover for description of "NOTES"

For detailed specifications, data sheets, drawings and performance curves visit <http://www.weg.net>

Data subject to change without notice.

Can't find what you are looking for? Call 1-800-ASK-4WEG (275-4934)

# Severe Duty - Three-Phase Motors



## GENERAL PURPOSE

### TEFC - C-Face - Foot Mount - *continued*

HP	kW	RPM	Frame	Catalog Number	List Price	Mult. Symbol	Approx. Shipping Weight (lbs)	Service Factor	FL Amps @ High	FL Eff (%)	"C" Dimension (in)	Voltage (V)	Notes
200	150	1800	445/7TC	<a href="#">20018ET3G447TC-W22</a>	\$21,704	N1	2523	1.15	230	96.2	48.701	460	
250	185	1800	445/7TSC	<a href="#">25018ET3G447TSC-W22</a>	\$34,280	N1	2361	1.15	281	96.2	44.951	460	
		1800	445/7TSC	<a href="#">25018ET3Q447TSC-W22</a>	\$27,322	N1	2836	1.15	281	96.2	44.951	460	
300	220	1800	447/9TC	<a href="#">30018ET3G449TC-W22</a>	\$31,990	N1	3069	1.15	330	96.2	56.338	460	



### TEFC - C-Face - Footless

HP	kW	RPM	Frame	Catalog Number	List Price	Mult. Symbol	Approx. Shipping Weight (lbs)	Service Factor	FL Amps @ High	FL Eff (%)	"C" Dimension (in)	Voltage (V)	Notes
1	0.75	3600	143TC	<a href="#">00136ET3ER143TC-W22</a>	\$577	N1	44	1.25	1.44	81.5	13.065	230/460	15
		1800	143TC	<a href="#">00118ET3ER143TC-W22</a>	\$572	N1	47	1.25	1.47	85.5	13.065	230/460	15
		1200	145TC	<a href="#">00112ET3ER145TC-W22</a>	\$655	N1	56	1.25	1.73	82.5	16.197	230/460	15
1.5	1.1	3600	143TC	<a href="#">00156ET3ER143TC-W22</a>	\$588	N1	48	1.25	1.96	84.0	13.065	230/460	15
		1800	145TC	<a href="#">00158ET3ER145TC-W22</a>	\$596	N1	55	1.25	2.02	86.5	14.077	230/460	15
		1200	182TC	<a href="#">00152ET3ER182TC-W22</a>	\$816	N1	100	1.25	2.54	87.5	16.197	230/460	15;39
2	1.5	3600	145TC	<a href="#">00236ET3ER145TC-W22</a>	\$638	N1	55	1.25	2.56	85.5	14.077	230/460	15
		1800	145TC	<a href="#">00218ET3ER145TC-W22</a>	\$659	N1	56	1.25	2.76	86.5	14.077	230/460	15
		1200	184TC	<a href="#">00212ET3ER184TC-W22</a>	\$883	N1	110	1.25	3.22	88.5	17.197	230/460	15;39
3	2.2	3600	145TC	<a href="#">00336ET3ER145TC-W22</a>	\$677	N1	58	1.25	3.71	86.5	14.077	230/460	15
		3600	182TC	<a href="#">00336ET3ER182TC-W22</a>	\$826	N1	108	1.25	3.63	86.5	16.197	230/460	15;39
		1800	182TC	<a href="#">00318ET3ER182TC-W22</a>	\$721	N1	104	1.25	3.91	89.5	16.197	230/460	15;39
		1200	213TC	<a href="#">00312ET3ER213TC-W22</a>	\$1,203	N1	154	1.25	4.41	89.5	19.399	230/460	15
5	3.7	3600	184TC	<a href="#">00536ET3ER184TC-W22</a>	\$938	N1	115	1.25	5.90	88.5	17.197	230/460	15
		1800	184TC	<a href="#">00518ET3ER184TC-W22</a>	\$834	N1	113	1.25	6.45	89.5	17.197	230/460	15
		1200	215TC	<a href="#">00512ET3ER215TC-W22</a>	\$1,426	N1	178	1.25	6.83	89.5	20.895	230/460	15
7.5	5.5	3600	213TC	<a href="#">00736ET3ER213TC-W22</a>	\$1,212	N1	155	1.25	8.76	89.5	19.399	230/460	15
		1800	213TC	<a href="#">00718ET3ER213TC-W22</a>	\$1,175	N1	167	1.25	9.18	91.7	19.399	230/460	15
10	7.5	3600	215TC	<a href="#">01036ET3ER215TC-W22</a>	\$1,424	N1	179	1.25	11.6	90.2	20.895	230/460	15
		1800	215TC	<a href="#">01018ET3ER215TC-W22</a>	\$1,366	N1	187	1.25	12.4	91.7	20.895	230/460	15
15	11	3600	254TC	<a href="#">01536ET3ER254TC-W22</a>	\$1,950	N1	300	1.25	17.2	91.0	25.063	230/460	15
		1800	254TC	<a href="#">01518ET3ER254TC-W22</a>	\$1,975	N1	348	1.25	18.0	92.4	25.063	230/460	15
20	15	3600	256TC	<a href="#">02036ET3ER256TC-W22</a>	\$2,525	N1	335	1.25	23.2	91.0	26.795	230/460	15
		1800	256TC	<a href="#">02018ET3ER256TC-W22</a>	\$2,338	N1	407	1.25	24.1	93.0	26.795	230/460	15
25	18.5	3600	284TSC	<a href="#">02536ET3ER284TSC-W22</a>	\$3,187	N1	406	1.25	28.5	91.7	27.305	230/460	15
		1800	284TC	<a href="#">02518ET3ER284TC-W22</a>	\$2,925	N1	441	1.25	29.5	93.6	28.677	230/460	15
30	22	3600	286TSC	<a href="#">03036ET3ER286TSC-W22</a>	\$3,767	N1	436	1.25	33.8	91.7	28.801	230/460	15
		1800	286TC	<a href="#">03018ET3ER286TC-W22</a>	\$3,421	N1	489	1.25	35.1	93.6	30.173	230/460	15
		1200	326TSC	<a href="#">03012ET3ER326TSC-W22</a>	\$5,768	N1	732	1.25	36.2	93.0	32.254	230/460	15
40	30	3600	324TSC	<a href="#">04036ET3ER324TSC-W22</a>	\$4,988	N1	684	1.25	45.8	92.4	30.758	230/460	15
		1800	324TC	<a href="#">04018ET3ER324TC-W22</a>	\$4,429	N1	613	1.25	47.1	94.1	32.258	230/460	15
50	37	1800	326TC	<a href="#">05018ET3ER326TC-W22</a>	\$5,378	N1	648	1.25	59.2	94.5	33.754	230/460	15
60	45	1800	364/5TC	<a href="#">06018ET3ER364TC-W22</a>	\$8,053	N1	869	1.25	68.3	95.0	37.440	230/460	15
75	55	1800	364/5TC	<a href="#">07518ET3ER365TC-W22</a>	\$9,408	N1	1256	1.25	84.1	95.4	37.440	230/460	15

Please refer to back cover for description of "NOTES"

For detailed specifications, data sheets, drawings and performance curves visit <http://www.weg.net>

Data subject to change without notice.

# Severe Duty Three-Phase Motors

IEEE 841 - THREE PHASE

## TEFC - NEMA Premium®

WEG's IEEE 841 motors are specially suited for Pulp & Paper mills, Steel mills, Petrochemical Plants and diverse demanding applications requiring severe duty long life motors.

WEG's W22 cast iron platform has a superior cooling system and solid feet for cool operation and lower vibration and noise extending the life of the motor.

### Standard Features:

- Class F insulation (Impregnation Resin and magnet wire are class H)
- F1 Mounted (F2 convertible). Frames 447T and up can easily be F2 converted by simply rotating the terminal box adapter
- Stainless Steel Nameplate - Laser etched with high contrast background
- All frames with regreasable ball bearings
- Class I, Div. 2, Groups A, B, C & D – T3,

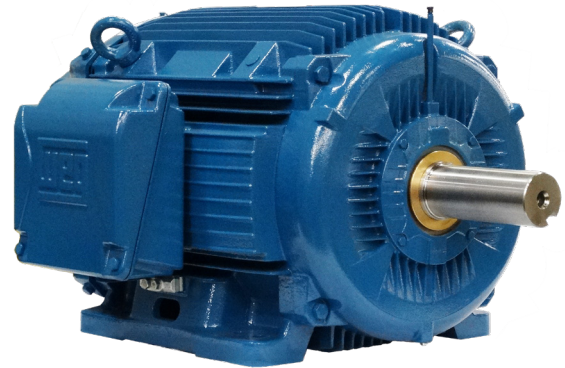
**\*Inverter Rated: Exceeds NEMA MG 1 Part 31 insulation requirements**

**1000:1 for variable torque**

**20:1 for constant torque**

*\* Frame 586/7 250HP and up 6:1 CT and 1000:1 VT*

*\* Insulated housing standard on L447/9T and above*



Severe Duty -  
Three-Phase  
Motors

### Features that make a difference:

- 1.25 Service Factor up to 100 HP
- InproSeal Bearing Isolators both ends
- Bearing protection meets IP56
- Rubber lead separator between terminal box and frame
- Vibration: 0.04 inches per second or less
- Guaranteed foot flatness to within 0.005"
- Bearing life 50,000 hours (L-10)
- Epoxy Paint system exceeds 250hrs Salt Fog test
- Interior surfaces are epoxy coated
- Non-sparking fan
- NPT Threaded terminal box
- Seamless copper lead lugs
- Seamless Stainless Steel grease extension tubes
- Automatic grease relief fittings
- IEEE 841 Link to Test Report in conduit box
- Suitable for IEEE45 USCG 259 – Marine Duty



# Severe Duty - Three-Phase Motors



IEEE 841

## TEFC - Foot Mount

HP	kW	RPM	Frame	Catalog Number	List Price	Mult. Symbol	Approx. Shipping Weight (lbs)	Service Factor	FL Amps @ High	FL. Eff (%)	"C" Dimension (in)	Voltage (V)	Notes
1	0.75	1800	143/5T	<a href="#">00118ST3QIE143T-W22</a>	\$922	I1	58	1.25	1.47	85.5	13.358	460	
		1800	143/5T	<a href="#">00118ST3HIE143T-W22</a>	\$922	I1	58	1.25	1.18	85.5	13.358	575	
		1200	143/5T	<a href="#">00112ST3QIE145T-W22</a>	\$1,062	I1	66	1.25	1.73	82.5	13.358	460	
		1200	143/5T	<a href="#">00112ST3HIE145T-W22</a>	\$1,062	I1	66	1.25	1.38	82.5	13.358	575	
		900	182/4T	<a href="#">00109ST3QIE182T-W22</a>	\$2,006	I1	97	1.25	2.30	78.5	15.860	460	
1.5	1.1	3600	143/5T	<a href="#">00156ST3QIE143T-W22</a>	\$981	I1	59	1.25	1.96	84.0	13.358	460	
		3600	143/5T	<a href="#">00156ST3HIE143T-W22</a>	\$981	I1	43	1.25	1.57	84.0	13.358	575	
		1800	143/5T	<a href="#">00158ST3QIE145T-W22</a>	\$981	I1	63	1.25	2.02	86.5	13.358	460	
		1800	143/5T	<a href="#">00158ST3HIE145T-W22</a>	\$981	I1	63	1.25	1.62	86.5	13.358	575	
		1200	182/4T	<a href="#">00152ST3QIE182T-W22</a>	\$1,286	I1	108	1.25	2.54	87.5	15.860	460	
		1200	182/4T	<a href="#">00152ST3HIE182T-W22</a>	\$1,286	I1	74	1.25	2.03	87.5	15.860	575	
		900	182/4T	<a href="#">00159ST3QIE184T-W22</a>	\$2,016	I1	112	1.25	2.70	82.5	15.860	460	
2	1.5	3600	143/5T	<a href="#">00236ST3QIE145T-W22</a>	\$1,023	I1	64	1.25	2.56	85.5	13.358	460	
		3600	143/5T	<a href="#">00236ST3HIE145T-W22</a>	\$1,023	I1	64	1.25	2.05	85.5	13.358	575	
		1800	143/5T	<a href="#">00218ST3QIE145T-W22</a>	\$1,023	I1	64	1.25	2.76	86.5	13.358	460	
		1800	143/5T	<a href="#">00218ST3HIE145T-W22</a>	\$1,023	I1	64	1.25	2.21	86.5	13.358	575	
		1200	182/4T	<a href="#">00212ST3QIE184T-W22</a>	\$1,363	I1	113	1.25	3.22	88.5	15.860	460	
		1200	182/4T	<a href="#">00212ST3HIE184T-W22</a>	\$1,363	I1	114	1.25	2.58	88.5	15.860	575	39
		900	213/5T	<a href="#">00209ST3QIE213T-W22</a>	\$2,701	I1	154	1.25	3.39	85.5	19.517	460	
3	2.2	3600	182/4T	<a href="#">00336ST3QIE182T-W22</a>	\$1,267	I1	109	1.25	3.63	86.5	15.860	460	
		3600	182/4T	<a href="#">00336ST3HIE182T-W22</a>	\$1,267	I1	108	1.25	2.90	86.5	15.860	575	
		1800	182/4T	<a href="#">00318ST3QIE182T-W22</a>	\$1,224	I1	106	1.25	3.91	89.5	15.860	460	
		1800	182/4T	<a href="#">00318ST3HIE182T-W22</a>	\$1,224	I1	104	1.25	3.13	89.5	15.860	575	
		1200	213/5T	<a href="#">00312ST3QIE213T-W22</a>	\$1,537	I1	173	1.25	4.41	89.5	19.517	460	
		1200	213/5T	<a href="#">00312ST3HIE213T-W22</a>	\$1,537	I1	173	1.25	3.53	89.5	19.517	575	
		900	213/5T	<a href="#">00309ST3QIE215T-W22</a>	\$2,883	I1	199	1.25	4.55	85.5	19.517	460	
5	3.7	3600	182/4T	<a href="#">00536ST3QIE184T-W22</a>	\$1,429	I1	116	1.25	5.90	88.5	15.860	460	
		3600	182/4T	<a href="#">00536ST3HIE184T-W22</a>	\$1,429	I1	116	1.25	4.72	88.5	15.860	575	
		1800	182/4T	<a href="#">00518ST3QIE184T-W22</a>	\$1,371	I1	115	1.25	6.45	89.5	15.860	460	
		1800	182/4T	<a href="#">00518ST3HIE184T-W22</a>	\$1,371	I1	115	1.25	5.16	89.5	15.860	575	
		1200	213/5T	<a href="#">00512ST3QIE215T-W22</a>	\$1,901	I1	191	1.25	6.83	89.5	19.517	460	
		1200	213/5T	<a href="#">00512ST3HIE215T-W22</a>	\$1,901	I1	191	1.25	5.46	89.5	19.517	575	
		900	254/6T	<a href="#">00509ST3QIE254T-W22</a>	\$4,243	I1	306	1.25	7.58	87.5	24.945	460	
7.5	5.5	3600	213/5T	<a href="#">00736ST3QIE213T-W22</a>	\$1,751	I1	174	1.25	8.76	89.5	19.517	460	
		3600	213/5T	<a href="#">00736ST3HIE213T-W22</a>	\$1,751	I1	173	1.25	7.01	89.5	19.517	575	
		1800	213/5T	<a href="#">00718ST3QIE213T-W22</a>	\$1,646	I1	185	1.25	9.18	91.7	19.517	460	
		1800	213/5T	<a href="#">00718ST3HIE213T-W22</a>	\$1,646	I1	185	1.25	7.34	91.7	19.517	575	
		1200	254/6T	<a href="#">00712ST3QIE254T-W22</a>	\$2,544	I1	322	1.25	9.48	91.0	24.945	460	
		1200	254/6T	<a href="#">00712ST3HIE254T-W22</a>	\$2,544	I1	299	1.25	7.58	91.0	24.945	575	
		900	254/6T	<a href="#">00709ST3QIE256T-W22</a>	\$5,040	I1	321	1.25	11.1	87.5	24.945	460	

continue on next page

Please refer to back cover for description of "NOTES"

For detailed specifications, data sheets, drawings and performance curves visit <http://www.weg.net>





## TEFC - Foot Mount - continued

HP	kW	RPM	Frame	Catalog Number	List Price	Mult. Symbol	Approx. Shipping Weight (lbs)	Service Factor	FL Amps @ High	FL Eff (%)	"C" Dimension (in)	Voltage (V)	Notes
10	7.5	3600	213/5T	<a href="#">01036ST3QIE215T-W22</a>	\$1,920	I1	191	1.25	11.6	90.2	19.517	460	
		3600	213/5T	<a href="#">01036ST3HIE215T-W22</a>	\$1,920	I1	191	1.25	9.28	90.2	19.517	575	
		1800	213/5T	<a href="#">01018ST3QIE215T-W22</a>	\$1,760	I1	188	1.25	12.4	91.7	19.517	460	
		1800	213/5T	<a href="#">01018ST3HIE215T-W22</a>	\$1,760	I1	199	1.25	9.92	91.7	19.517	575	
		1200	254/6T	<a href="#">01012ST3QIE256T-W22</a>	\$2,834	I1	329	1.25	12.9	91.0	24.945	460	
		1200	254/6T	<a href="#">01012ST3HIE256T-W22</a>	\$2,834	I1	329	1.25	10.3	91.0	24.945	575	
		900	284/6T	<a href="#">01009ST3QIE284T-W22</a>	\$5,936	I1	380	1.25	13.4	90.2	27.929	460	
15	11	3600	254/6T	<a href="#">01536ST3QIE254T-W22</a>	\$2,428	I1	303	1.25	17.2	91.0	24.945	460	
		3600	254/6T	<a href="#">01536ST3HIE254T-W22</a>	\$2,428	I1	303	1.25	13.8	91.0	24.945	575	
		1800	254/6T	<a href="#">01518ST3QIE254T-W22</a>	\$2,257	I1	341	1.25	18.0	92.4	24.945	460	
		1800	254/6T	<a href="#">01518ST3HIE254T-W22</a>	\$2,257	I1	351	1.25	14.4	92.4	24.945	575	
		1200	284/6T	<a href="#">01512ST3QIE284T-W22</a>	\$4,203	I1	430	1.25	17.9	91.7	27.929	460	
		1200	284/6T	<a href="#">01512ST3HIE284T-W22</a>	\$4,203	I1	425	1.25	14.3	91.7	27.929	575	
		900	284/6T	<a href="#">01509ST3QIE286T-W22</a>	\$6,742	I1	437	1.25	19.4	90.2	27.929	460	
20	15	3600	254/6T	<a href="#">02036ST3QIE256T-W22</a>	\$2,957	I1	329	1.25	23.2	91.0	24.945	460	
		3600	254/6T	<a href="#">02036ST3HIE256T-W22</a>	\$2,957	I1	328	1.25	18.6	91.0	24.945	575	
		1800	254/6T	<a href="#">02018ST3QIE256T-W22</a>	\$2,597	I1	385	1.25	24.1	93.0	24.945	460	
		1800	254/6T	<a href="#">02018ST3HIE256T-W22</a>	\$2,597	I1	400	1.25	19.3	93.0	24.945	575	
		1200	284/6T	<a href="#">02012ST3QIE286T-W22</a>	\$4,773	I1	456	1.25	24.2	91.7	27.929	460	
		1200	284/6T	<a href="#">02012ST3HIE286T-W22</a>	\$4,773	I1	456	1.25	19.4	91.7	27.929	575	
		900	324/6T	<a href="#">02009ST3QIE324T-W22</a>	\$8,269	I1	551	1.25	28.3	91.0	31.116	460	
25	18.5	3600	284/6TS	<a href="#">02536ST3QIE284TS-W22</a>	\$3,368	I1	413	1.25	28.5	91.7	26.557	460	
		3600	284/6TS	<a href="#">02536ST3HIE284TS-W22</a>	\$3,368	I1	403	1.25	22.8	91.7	26.557	575	
		1800	284/6T	<a href="#">02518ST3QIE284T-W22</a>	\$2,926	I1	448	1.25	29.5	93.6	27.929	460	
		1800	284/6T	<a href="#">02518ST3HIE284T-W22</a>	\$2,926	I1	447	1.25	23.6	93.6	27.929	575	
		1200	324/6T	<a href="#">02512ST3QIE324T-W22</a>	\$5,211	I1	588	1.25	30.4	93.0	31.116	460	
		1200	324/6T	<a href="#">02512ST3HIE324T-W22</a>	\$5,211	I1	587	1.25	24.3	93.0	31.116	575	
		900	324/6T	<a href="#">02509ST3QIE326T-W22</a>	\$8,838	I1	596	1.25	35.9	91.0	31.116	460	
30	22	3600	284/6TS	<a href="#">03036ST3QIE286TS-W22</a>	\$3,799	I1	433	1.25	33.8	91.7	26.557	460	
		3600	284/6TS	<a href="#">03036ST3HIE286TS-W22</a>	\$3,799	I1	433	1.25	27.0	91.7	26.557	575	
		1800	284/6T	<a href="#">03018ST3QIE286T-W22</a>	\$3,509	I1	454	1.25	35.1	93.6	27.929	460	
		1800	284/6T	<a href="#">03018ST3HIE286T-W22</a>	\$3,509	I1	484	1.25	28.1	93.6	27.929	575	
		1200	324/6T	<a href="#">03012ST3QIE326T-W22</a>	\$5,359	I1	633	1.25	35.8	93.0	31.116	460	
		1200	324/6T	<a href="#">03012ST3HIE326T-W22</a>	\$5,359	I1	632	1.25	28.6	93.0	31.116	575	
		900	364/5T	<a href="#">03009ST3QIE364T-W22</a>	\$13,149	I1	900	1.25	37.0	92.4	34.251	460	
40	30	3600	324/6TS	<a href="#">04036ST3QIE324TS-W22</a>	\$5,306	I1	591	1.25	45.8	92.4	29.616	460	
		3600	324/6TS	<a href="#">04036ST3HIE324TS-W22</a>	\$5,306	I1	591	1.25	36.6	92.4	29.616	575	
		1800	324/6T	<a href="#">04018ST3QIE324T-W22</a>	\$4,692	I1	590	1.25	47.1	94.1	31.116	460	
		1800	324/6T	<a href="#">04018ST3HIE324T-W22</a>	\$4,692	I1	617	1.25	37.7	94.1	31.116	575	
		1200	364/5T	<a href="#">04012ST3QIE364T-W22</a>	\$8,636	I1	1007	1.25	46.5	94.1	34.251	460	
		1200	364/5T	<a href="#">04012ST3HIE364T-W22</a>	\$8,636	I1	1003	1.25	37.2	94.1	34.251	575	
		900	364/5T	<a href="#">04009ST3QIE365T-W22</a>	\$14,909	I1	955	1.25	50.3	92.4	34.251	460	

continued on next page

Severe Duty - Three-Phase Motors

Please refer to back cover for description of "NOTES"

For detailed specifications, data sheets, drawings and performance curves visit <http://www.weg.net>

Data subject to change without notice.

Can't find what you are looking for? Call 1-800-ASK-4WEG (275-4934)

IEEE 841

## TEFC - Foot Mount - *continued*

Severe Duty -  
Three-Phase  
Motors

HP	kW	RPM	Frame	Catalog Number	List Price	Mult. Symbol	Approx. Shipping Weight (lbs)	Service Factor	FL Amps @ High	FL. Eff (%)	"C" Dimension (in)	Voltage (V)	Notes
50	37	3600	324/6TS	<a href="#">05036ST3QIE326TS-W22</a>	\$5,970	I1	613	1.25	56.1	93.0	29.616	460	
		3600	324/6TS	<a href="#">05036ST3HIE326TS-W22</a>	\$5,970	I1	612	1.25	44.9	93.0	29.616	575	
		1800	324/6T	<a href="#">05018ST3QIE326T-W22</a>	\$5,233	I1	610	1.25	59.2	94.5	31.116	460	
		1800	324/6T	<a href="#">05018ST3HIE326T-W22</a>	\$5,233	I1	636	1.25	47.4	94.5	31.116	575	
		1200	364/5T	<a href="#">05012ST3QIE365T-W22</a>	\$9,369	I1	1022	1.25	57.4	94.1	34.251	460	
		1200	364/5T	<a href="#">05012ST3HIE365T-W22</a>	\$9,369	I1	1019	1.25	45.9	94.1	34.251	575	
		900	404/5T	<a href="#">05009ST3QIE404T-W22</a>	\$19,331	I1	1214	1.25	60.0	93.0	39.730	460	
60	45	3600	364/5TS	<a href="#">06036ST3QIE364TS-W22</a>	\$8,665	I1	965	1.25	67.0	93.6	32.338	460	
		3600	364/5TS	<a href="#">06036ST3HIE364TS-W22</a>	\$8,665	I1	963	1.25	53.6	93.6	32.338	575	
		1800	364/5T	<a href="#">06018ST3QIE364T-W22</a>	\$8,044	I1	957	1.25	68.3	95.0	34.251	460	
		1800	364/5T	<a href="#">06018ST3HIE364T-W22</a>	\$8,044	I1	1030	1.25	54.6	95.0	34.251	575	
		1200	404/5T	<a href="#">06012ST3QIE404T-W22</a>	\$11,790	I1	1253	1.25	69.5	94.5	39.730	460	
		1200	404/5T	<a href="#">06012ST3HIE404T-W22</a>	\$11,790	I1	1249	1.25	55.6	94.5	39.730	575	
		900	404/5T	<a href="#">06009ST3QIE405T-W22</a>	\$22,579	I1	1261	1.25	73.0	93.0	39.730	460	
75	55	3600	364/5TS	<a href="#">07536ST3QIE365TS-W22</a>	\$10,210	I1	1012	1.25	81.9	93.6	32.338	460	
		3600	364/5TS	<a href="#">07536ST3HIE365TS-W22</a>	\$10,210	I1	972	1.25	65.5	93.6	32.338	575	
		1800	364/5T	<a href="#">07518ST3QIE365T-W22</a>	\$9,289	I1	996	1.25	84.1	95.4	34.251	460	
		1800	364/5T	<a href="#">07518ST3QIERB365T-W2</a>	\$10,019	I1	1019	1.25	84.1	95.4	34.251	460	14
		1800	364/5T	<a href="#">07518ST3HIE365T-W22</a>	\$9,289	I1	1045	1.25	67.3	95.4	34.251	575	
		1200	404/5T	<a href="#">07512ST3QIE405T-W22</a>	\$12,866	I1	1317	1.25	84.9	94.5	39.730	460	
		1200	404/5T	<a href="#">07512ST3QIERB405T-W2</a>	\$12,866	I1	1326	1.25	84.9	94.5	39.730	460	14
		1200	404/5T	<a href="#">07512ST3HIE405T-W22</a>	\$12,866	I1	1298	1.25	67.9	94.5	39.730	575	
		900	444/5T	<a href="#">07509ST3QIE444T-W22</a>	\$23,457	I1	1666	1.25	93.0	93.6	44.950	460	
100	75	3600	404/5TS	<a href="#">10036ST3QIE405TS-W22</a>	\$12,806	I1	1182	1.25	110	94.1	36.732	460	
		3600	404/5TS	<a href="#">10036ST3HIE405TS-W22</a>	\$12,806	I1	1191	1.25	88.0	94.1	36.732	575	
		1800	404/5T	<a href="#">10018ST3QIE405T-W22</a>	\$12,471	I1	1276	1.25	116	95.4	39.730	460	
		1800	404/5T	<a href="#">10018ST3QIERB405T-W2</a>	\$12,471	I1	1292	1.25	116	95.4	39.730	460	14
		1800	404/5T	<a href="#">10018ST3HIE405T-W22</a>	\$12,471	I1	1339	1.25	92.8	95.4	39.730	575	
		1800	404/5T	<a href="#">10018ST3HIERB405T-W2</a>	\$12,471	I1	1348	1.25	92.8	95.4	39.730	575	14
		1200	444/5T	<a href="#">10012ST3QIE444T-W22</a>	\$17,933	I1	1800	1.25	121	95.0	44.950	460	
		1200	444/5T	<a href="#">10012ST3QIERB444T-W2</a>	\$17,933	I1	1915	1.25	121	95.0	44.950	460	14
		1200	444/5T	<a href="#">10012ST3HIE444T-W22</a>	\$17,933	I1	1900	1.25	96.8	95.0	44.950	575	
		900	444/5T	<a href="#">10009ST3QIE445T-W22</a>	\$24,681	I1	1944	1.25	127	94.1	44.950	460	
		900	444/5T	<a href="#">10009ST3QIERB445T-W2</a>	\$24,681	I1	1763	1.25	127	94.1	44.950	460	14
125	90	3600	444/5TS	<a href="#">12536ST3QIE444TS-W22</a>	\$18,198	I1	1805	1.15	134	95.0	41.200	460	
		3600	444/5TS	<a href="#">12536ST3HIE444TS-W22</a>	\$18,198	I1	1796	1.15	107	95.0	41.200	575	
		1800	444/5T	<a href="#">12518ST3QIE444T-W22</a>	\$16,564	I1	1708	1.15	139	95.4	44.950	460	
		1800	444/5T	<a href="#">12518ST3QIERB444T-W2</a>	\$16,564	I1	1836	1.15	139	95.4	44.950	460	14
		1800	444/5T	<a href="#">12518ST3HIE444T-W22</a>	\$16,564	I1	1822	1.15	111	95.4	44.950	575	
		1200	444/5T	<a href="#">12512ST3QIE445T-W22</a>	\$20,158	I1	2016	1.15	143	95.0	44.950	460	
		1200	444/5T	<a href="#">12512ST3QIERB445T-W2</a>	\$20,158	I1	2028	1.15	143	95.0	44.950	460	14
		1200	444/5T	<a href="#">12512ST3HIE445T-W22</a>	\$20,158	I1	2013	1.15	114	95.0	44.950	575	
		900	445/7T	<a href="#">12509ST3QIE447T-W22</a>	\$29,733	I1	2239	1.15	151	94.5	48.701	460	
900	445/7T	<a href="#">12509ST3QIERB447T-W2</a>	\$29,733	I1	2273	1.15	151	94.5	48.701	460	14		

*continued on next page*

Please refer to back cover for description of "NOTES"

For detailed specifications, data sheets, drawings and performance curves visit <http://www.weg.net>



## TEFC - Foot Mount - continued

HP	kW	RPM	Frame	Catalog Number	List Price	Mult. Symbol	Approx. Shipping Weight (lbs)	Service Factor	FL Amps @ High	FL. Eff (%)	"C" Dimension (in)	Voltage (V)	Notes
150	110	3600	444/5TS	<a href="#">15036ST3QIE445TS-W22</a>	\$21,433	I1	1900	1.15	161	95.0	41.200	460	
		3600	444/5TS	<a href="#">15036ST3HIE445TS-W22</a>	\$21,433	I1	1908	1.15	129	95.0	41.200	575	
		1800	444/5T	<a href="#">15018ST3QIE445T-W22</a>	\$18,587	I1	1910	1.15	170	95.8	44.950	460	
		1800	444/5T	<a href="#">15018ST3QIERB445T-W2</a>	\$18,587	I1	2041	1.15	170	95.8	44.950	460	14
		1800	444/5T	<a href="#">15018ST3HIE445T-W22</a>	\$18,587	I1	2027	1.15	136	95.8	44.950	575	
		1800	444/5T	<a href="#">15018ST3HIERB445T-W2</a>	\$18,587	I1	2038	1.15	136	95.8	44.950	575	14
		1200	445/7T	<a href="#">15012ST3QIE447T-W22</a>	\$23,181	I1	2511	1.15	176	95.8	48.701	460	
		1200	445/7T	<a href="#">15012ST3QIERB447T-W2</a>	\$23,181	I1	2543	1.15	176	95.8	48.701	460	14
		1200	445/7T	<a href="#">15012ST3HIE447T-W22</a>	\$23,181	I1	2531	1.15	141	95.8	48.701	575	
		900	445/7T	<a href="#">15009ST3QIE447T-W22</a>	\$34,755	I1	2409	1.15	185	94.5	48.701	460	
900	445/7T	<a href="#">15009ST3QIERB447T-W2</a>	\$34,755	I1	2421	1.15	185	94.5	48.701	460	14;51		
200	150	3600	445/7TS	<a href="#">20036ST3QIE447TS-W22</a>	\$28,568	I1	2240	1.15	219	95.4	44.951	460	
		3600	445/7TS	<a href="#">20036ST3HIE447TS-W22</a>	\$28,568	I1	2209	1.15	175	95.4	44.951	575	
		1800	445/7T	<a href="#">20018ST3QIE447T-W22</a>	\$23,696	I1	2320	1.15	230	96.2	48.701	460	
		1800	445/7T	<a href="#">20018ST3QIERB447T-W2</a>	\$23,696	I1	2520	1.15	230	96.2	48.701	460	14
		1800	445/7T	<a href="#">20018ST3HIE447T-W22</a>	\$23,696	I1	2502	1.15	184	96.2	48.701	575	
		1200	447/9T	<a href="#">20012ST3QIE449T-W22</a>	\$27,557	I1	2978	1.15	237	95.8	56.338	460	
		1200	447/9T	<a href="#">20012ST3QIERB449T-W2</a>	\$27,557	I1	3052	1.15	237	95.8	56.338	460	14
		1200	447/9T	<a href="#">20012ST3HIE449T-W22</a>	\$27,557	I1	3030	1.15	190	95.8	56.338	575	
		1200	447/9T	<a href="#">20012ST3HIERB449T-W2</a>	\$27,557	I1	3046	1.15	190	95.8	56.338	575	14
		900	L447/9T	<a href="#">20009ST3QIE449T-W22</a>	\$57,394	I1	3655	1.15	242	95.0	57.181	460	43
900	L447/9T	<a href="#">20009ST3QIERB449T-W2</a>	\$57,394	I1	3669	1.15	242	95.0	57.181	460	14;43		
900	L447/9T	<a href="#">20009ST3HIE449T-W22</a>	\$57,394	I1	3569	1.15	194	95.0	57.181	575	43		
250	185	3600	447/9TS	<a href="#">25036ST3QIE449TS-W22</a>	\$34,663	I1	2603	1.15	266	95.8	52.940	460	
		1800	447/9T	<a href="#">25018ST3QIE449T-W22</a>	\$30,081	I1	2904	1.15	281	96.2	56.338	460	
		1800	447/9T	<a href="#">25018ST3QIERB449T-W2</a>	\$30,081	I1	2869	1.15	281	96.2	56.338	460	14
		1200	447/9T	<a href="#">25012ST3QIE449T-W22</a>	\$39,415	I1	3190	1.15	292	95.8	56.338	460	
		1200	447/9T	<a href="#">25012ST3QIERB449T-W2</a>	\$39,415	I1	2702	1.15	292	95.8	56.338	460	14
300	220	1800	447/9T	<a href="#">30018ST3QIE449T-W22</a>	\$36,810	I1	3102	1.15	330	96.2	56.338	460	
		1800	447/9T	<a href="#">30018ST3QIERB449T-W2</a>	\$36,810	I1	3130	1.15	330	96.2	56.338	460	14
		1200	L447/9T	<a href="#">30012ST3QIE449T-W22</a>	\$44,648	I1	3645	1.15	351	95.8	57.181	460	43
		1200	L447/9T	<a href="#">30012ST3QIERB449T-W2</a>	\$44,648	I1	3571	1.15	351	95.8	57.181	460	14;43
350	260	1800	L447/9T	<a href="#">35018ST3QIE449T-W22</a>	\$44,105	I1	3580	1.15	394	96.2	57.181	460	43
		1800	L447/9T	<a href="#">35018ST3QIERB449T-W2</a>	\$44,105	I1	3580	1.15	394	96.2	57.181	460	14;43
		1200	L447/9T	<a href="#">35012ST3QIE449T-W22</a>	\$52,634	I1	3824	1.15	415	95.8	57.181	460	43, 37
		1200	L447/9T	<a href="#">35012ST3QIERB449T-W2</a>	\$52,634	I1	3756	1.15	415	95.8	57.181	460	14;43
400	300	1800	L447/9T	<a href="#">40018ST3QIE449T-W22</a>	\$48,396	I1	3467	1.15	455	96.2	57.181	460	43
		1800	L447/9T	<a href="#">40018ST3QIERB449T-W2</a>	\$48,396	I1	3467	1.15	455	96.2	57.181	460	14;43

Severe Duty - Three-Phase Motors

Please refer to back cover for description of "NOTES"

For detailed specifications, data sheets, drawings and performance curves visit <http://www.weg.net>

Data subject to change without notice.

Can't find what you are looking for? Call 1-800-ASK-4WEG (275-4934)

# Severe Duty - Three-Phase Motors



IEEE 841

## TEFC - C-Face - Foot Mount

Severe Duty - Three-Phase Motors

HP	kW	RPM	Frame	Catalog Number	List Price	Mult. Symbol	Approx. Shipping Weight (lbs)	Service Factor	FL Amps @ High	FL. Eff (%)	"C" Dimension (in)	Voltage (V)	Notes
1	0.75	1800	143/5TC	<a href="#">00118ST3QIE143TC-W22</a>	\$972	I1	55	1.25	1.47	85.5	13.358	460	
		1200	143/5TC	<a href="#">00112ST3QIE145TC-W22</a>	\$1,112	I1	63	1.25	1.73	82.5	13.358	460	
1.5	1.1	3600	143/5TC	<a href="#">00156ST3QIE143TC-W22</a>	\$1,031	I1	57	1.25	1.96	84.0	13.358	460	
		1800	143/5TC	<a href="#">00158ST3QIE145TC-W22</a>	\$1,031	I1	61	1.25	2.02	86.5	13.358	460	
		1200	182/4TC	<a href="#">00152ST3QIE182TC-W22</a>	\$1,351	I1	112	1.25	2.54	87.5	15.860	460	
		900	182/4TC	<a href="#">00159ST3QIE184TC-W22</a>	\$2,081	I1	116	1.25	2.70	82.5	15.860	460	
2	1.5	3600	143/5TC	<a href="#">00236ST3QIE145TC-W22</a>	\$1,073	I1	62	1.25	2.56	85.5	13.358	460	
		1800	143/5TC	<a href="#">00218ST3QIE145TC-W22</a>	\$1,073	I1	62	1.25	2.76	86.5	13.358	460	
		1200	182/4TC	<a href="#">00212ST3QIE184TC-W22</a>	\$1,428	I1	117	1.25	3.22	88.5	15.860	460	39
		900	213/5TC	<a href="#">00209ST3QIE213TC-W22</a>	\$2,781	I1	185	1.25	3.39	85.5	19.517	460	
3	2.2	3600	182/4TC	<a href="#">00336ST3QIE182TC-W22</a>	\$1,332	I1	113	1.25	3.63	86.5	15.860	460	
		1800	182/4TC	<a href="#">00318ST3QIE182TC-W22</a>	\$1,289	I1	109	1.25	3.91	89.5	15.860	460	
		1200	213/5TC	<a href="#">00312ST3QIE213TC-W22</a>	\$1,617	I1	178	1.25	4.41	89.5	19.517	460	
		900	213/5TC	<a href="#">00309ST3QIE215TC-W22</a>	\$2,963	I1	181	1.25	4.55	85.5	19.517	460	
5	3.7	3600	182/4TC	<a href="#">00536ST3QIE184TC-W22</a>	\$1,494	I1	120	1.25	5.90	88.5	15.860	460	
		1800	182/4TC	<a href="#">00518ST3QIE184TC-W22</a>	\$1,436	I1	119	1.25	6.45	89.5	15.860	460	
		1200	213/5TC	<a href="#">00512ST3QIE215TC-W22</a>	\$1,981	I1	194	1.25	6.83	89.5	19.517	460	
		900	254/6TC	<a href="#">00509ST3QIE254TC-W22</a>	\$4,363	I1	309	1.25	7.58	87.5	24.945	460	
7.5	5.5	3600	213/5TC	<a href="#">00736ST3QIE213TC-W22</a>	\$1,831	I1	177	1.25	8.76	89.5	19.517	460	
		1800	213/5TC	<a href="#">00718ST3QIE213TC-W22</a>	\$1,726	I1	189	1.25	9.18	91.7	19.517	460	
		1200	254/6TC	<a href="#">00712ST3QIE254TC-W22</a>	\$2,664	I1	325	1.25	9.48	91.0	24.945	460	
		900	254/6TC	<a href="#">00709ST3QIE256TC-W22</a>	\$5,160	I1	321	1.25	11.1	87.5	24.945	460	
10	7.5	3600	213/5TC	<a href="#">01036ST3QIE215TC-W22</a>	\$2,000	I1	195	1.25	11.6	90.2	19.517	460	
		1800	213/5TC	<a href="#">01018ST3QIE215TC-W22</a>	\$1,840	I1	203	1.25	12.4	91.7	19.517	460	
		1200	254/6TC	<a href="#">01012ST3QIE256TC-W22</a>	\$2,954	I1	340	1.25	12.9	91.0	24.945	460	
		900	284/6TC	<a href="#">01009ST3QIE284TC-W22</a>	\$6,136	I1	400	1.25	13.4	90.2	27.929	460	
15	11	3600	254/6TC	<a href="#">01536ST3QIE254TC-W22</a>	\$2,548	I1	306	1.25	17.2	91.0	24.945	460	
		1800	254/6TC	<a href="#">01518ST3QIE254TC-W22</a>	\$2,377	I1	355	1.25	18.0	92.4	24.945	460	
		1200	284/6TC	<a href="#">01512ST3QIE284TC-W22</a>	\$4,403	I1	434	1.25	17.9	91.7	27.929	460	
		900	284/6TC	<a href="#">01509ST3QIE286TC-W22</a>	\$6,942	I1	444	1.25	19.4	90.2	27.929	460	
20	15	3600	254/6TC	<a href="#">02036ST3QIE256TC-W22</a>	\$3,077	I1	332	1.25	23.2	91.0	24.945	460	
		1800	254/6TC	<a href="#">02018ST3QIE256TC-W22</a>	\$2,717	I1	404	1.25	24.1	93.0	24.945	460	
		1200	284/6TC	<a href="#">02012ST3QIE286TC-W22</a>	\$4,973	I1	465	1.25	24.2	91.7	27.929	460	
		900	324/6TC	<a href="#">02009ST3QIE324TC-W22</a>	\$8,494	I1	482	1.25	28.3	91.0	31.116	460	
25	18.5	3600	284/6TSC	<a href="#">02536ST3QIE284TSC-W2</a>	\$3,568	I1	389	1.25	28.5	91.7	26.557	460	
		1800	284/6TC	<a href="#">02518ST3QIE284TC-W22</a>	\$3,126	I1	456	1.25	29.5	93.6	27.929	460	
		1200	324/6TC	<a href="#">02512ST3QIE324TC-W22</a>	\$5,436	I1	603	1.25	30.4	93.0	31.116	460	
		900	324/6TC	<a href="#">02509ST3QIE326TC-W22</a>	\$9,063	I1	539	1.25	35.9	91.0	31.116	460	
30	22	3600	284/6TSC	<a href="#">03036ST3QIE286TSC-W2</a>	\$3,999	I1	441	1.25	33.8	91.7	26.557	460	
		1800	284/6TC	<a href="#">03018ST3QIE286TC-W22</a>	\$3,709	I1	493	1.25	35.1	93.6	27.929	460	
		1200	324/6TC	<a href="#">03012ST3QIE326TC-W22</a>	\$5,584	I1	646	1.25	35.8	93.0	31.116	460	
		900	364/5TC	<a href="#">03009ST3QIE364TC-W22</a>	\$13,524	I1	917	1.25	37.0	92.4	34.251	460	

continued on next page

Please refer to back cover for description of "NOTES"

For detailed specifications, data sheets, drawings and performance curves visit <http://www.weg.net>

## TEFC - C-Face - Foot Mount - *continued*

HP	kW	RPM	Frame	Catalog Number	List Price	Mult. Symbol	Approx. Shipping Weight (lbs)	Service Factor	FL Amps @ High	FL. Eff (%)	"C" Dimension (in)	Voltage (V)	Notes
40	30	3600	324/6TSC	<a href="#">04036ST3QIE324TSC-W2</a>	\$5,531	I1	602	1.25	45.8	92.4	29.616	460	
		1800	324/6TC	<a href="#">04018ST3QIE324TC-W22</a>	\$4,917	I1	633	1.25	47.1	94.1	31.116	460	
		1200	364/5TC	<a href="#">04012ST3QIE364TC-W22</a>	\$9,011	I1	1032	1.25	46.5	94.1	34.251	460	
		900	364/5TC	<a href="#">04009ST3QIE365TC-W22</a>	\$15,284	I1	990	1.25	50.3	92.4	34.251	460	
50	37	3600	324/6TSC	<a href="#">05036ST3QIE326TSC-W2</a>	\$6,195	I1	627	1.25	56.1	93.0	29.616	460	
		1800	324/6TC	<a href="#">05018ST3QIE326TC-W22</a>	\$5,458	I1	651	1.25	59.2	94.5	31.116	460	
		1200	364/5TC	<a href="#">05012ST3QIE365TC-W22</a>	\$9,744	I1	983	1.25	57.4	94.1	34.251	460	
		900	404/5TC	<a href="#">05009ST3QIE404TC-W22</a>	\$19,856	I1	1132	1.25	60.0	93.0	39.730	460	
60	45	1200	404/5TC	<a href="#">06012ST3QIE404TC-W22</a>	\$12,315	I1	1156	1.25	69.5	94.5	39.730	460	

Severe Duty - Three-Phase Motors



## TEFC - C-Face - Footless

HP	kW	RPM	Frame	Catalog Number	List Price	Mult. Symbol	Approx. Shipping Weight (lbs)	Service Factor	FL Amps @ High	FL. Eff (%)	"C" Dimension (in)	Voltage (V)	Notes
1	0.75	1800	143/5TC	<a href="#">00118ST3QIER143TC-W2</a>	\$1,000	I1	54	1.25	1.47	85.5	14.066	460	15
1.5	1.1	1800	143/5TC	<a href="#">00158ST3QIER145TC-W2</a>	\$1,061	I1	62	1.25	2.02	86.5	14.066	460	15
2	1.5	1800	143/5TC	<a href="#">00218ST3QIER145TC-W2</a>	\$1,104	I1	63	1.25	2.76	86.5	14.066	460	15
3	2.2	1800	182/4TC	<a href="#">00318ST3QIER182TC-W2</a>	\$1,326	I1	110	1.25	3.91	89.5	17.080	460	15;39
5	3.7	1800	182/4TC	<a href="#">00518ST3QIER184TC-W2</a>	\$1,478	I1	119	1.25	6.45	89.5	17.080	460	15
7.5	5.5	1800	213/5TC	<a href="#">00718ST3QIER213TC-W2</a>	\$1,776	I1	177	1.25	9.18	91.7	21.269	460	15
10	7.5	1800	213/5TC	<a href="#">01018ST3QIER215TC-W2</a>	\$1,893	I1	192	1.25	12.4	91.7	21.269	460	15

Please refer to back cover for description of "NOTES"

For detailed specifications, data sheets, drawings and performance curves visit <http://www.weg.net>

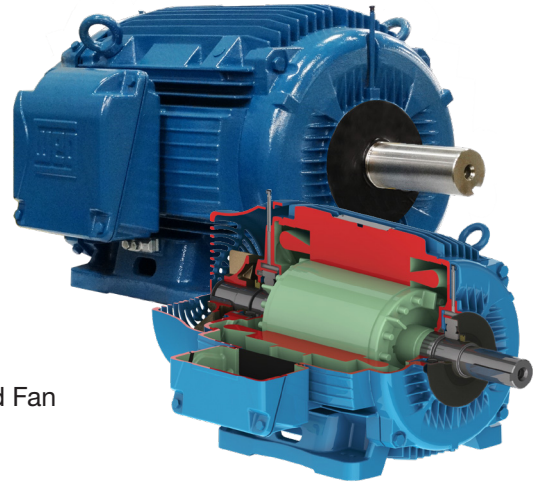
Data subject to change without notice.

Can't find what you are looking for? Call 1-800-ASK-4WEG (275-4934)

# W22 API661 Severe Duty Motors

## 5-75HP

The WEG W22 API661 product is the latest generation of Severe Duty Cast Iron frame industrial motors designed to meet the demands of Reliability, Efficiency, and Total Cost of Ownership today's customers demand, and have come to expect from WEG.



# API 661

### Standard Features:

- Heavy Duty FC200 Cast Iron Frame, Brackets, Conduit Box and Fan Cover
- Motor rated IP56 for better driven water exclusion
- InproSeal Mini 66 seals rated IP56 on both bearings+DE umbrella Slinger
- Shaft Drilled & Tapped for vertical lifting shaft up or down
- Roller bearing on DE for min 40,000 L-10 bearing life on belted loads
- Dual drilled mounting Feet for increased flexibility
- Foot flatness of <.005" and paint free feet aid mounting and alignment
- Regreasable bearings with WEG Positive Pressure Lubrication System (PPLS) including Cast Iron bearing caps, Seamless Stainless Steel grease inlet extensions, and Auto grease relief
- Forged shouldered eyebolts for safe handling (180T frame and above)
- Stainless Steel automatic condensate Drains in both endshields
- 4-Bolts Conduit Box and Cover with Neoprene gaskets for sure seal
- VFD Rated Class F insulation system per NEMA MG1 Part 31 utilizing Class H Varnish and Magnet wire
- Stainless Steel Nameplate includes Weight, Division 2, and lubrication information
- IEEE 841 Test report with Vibration data included in the conduit box

### Features that make a difference:

- Low Vibration design  
.04 in/sec (1/2 IEEE 841 Spec)
- Vertical lifting capability
- Highest Service Factor in the industry  
1.25SF on <125HP
- Bearings meet IP56
- Automatic Drains at lowest point
- Bearings meet IP56
- Epoxy Paint system exceeds 250Hrs Salt spray per ASTM B117



## TEFC - Foot Mount

HP	kW	RPM	Frame	Catalog Number	List Price	Mult. Symbol	Approx. Shipping Weight (lbs)	Service Factor	FL Amps @ High	FL Eff (%)	"C" Dimension (in)	Voltage (V)	Notes
5	3.7	1800	182/4T	<a href="#">00518ST3QAP184T-W22</a>	<b>\$1,371</b>	I1	115	1.25	6.45	89.5	15.860	460	
7.5	5.5	1800	213/5T	<a href="#">00718ST3QAP213T-W22</a>	<b>\$1,870</b>	I1	185	1.25	9.18	91.7	19.517	460	
10	7.5	1800	213/5T	<a href="#">01018ST3QAP215T-W22</a>	<b>\$1,962</b>	I1	188	1.25	12.4	91.7	19.517	460	14
15	11	1800	254/6T	<a href="#">01518ST3QAP254T-W22</a>	<b>\$2,524</b>	I1	341	1.25	18.0	92.4	24.945	460	14
20	11	1800	254/6T	<a href="#">02018ST3QAP256T-W22</a>	<b>\$2,881</b>	I1	385	1.25	24.1	93.0	24.945	460	14
25	18.5	1800	284/6T	<a href="#">02518ST3QAP284T-W22</a>	<b>\$3,236</b>	I1	448	1.25	29.5	93.6	27.929	460	14
30	22	1800	284/6T	<a href="#">03018ST3QAP286T-W22</a>	<b>\$3,824</b>	I1	454	1.25	35.1	93.6	27.929	460	14
40	30	1800	324/6T	<a href="#">04018ST3QAP324T-W22</a>	<b>\$5,095</b>	I1	590	1.25	47.1	94.1	31.116	460	14
50	37	1800	324/6T	<a href="#">05018ST3QAP326T-W22</a>	<b>\$5,617</b>	I1	610	1.25	59.2	94.5	31.116	460	14
60	45	1800	364/5T	<a href="#">06018ST3QAP364T-W22</a>	<b>\$8,535</b>	I1	957	1.25	68.3	95.0	34.251	460	14
75	55	1800	364/5T	<a href="#">07518ST3QAP365T-W22</a>	<b>\$9,772</b>	I1	996	1.25	84.1	95.4	34.251	460	14

Severe Duty - Three-Phase Motors

Please refer to back cover for description of "NOTES"

For detailed specifications, data sheets, drawings and performance curves visit [http:// www.weg.net](http://www.weg.net)

Data subject to change without notice.

Can't find what you are looking for? Call 1-800-ASK-4WEG (275-4934)

**A-111**

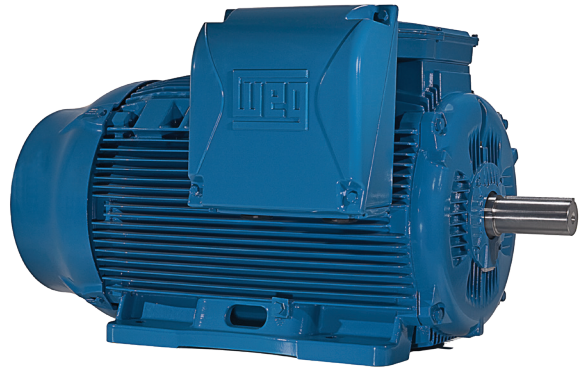
# Severe Duty – Three-Phase Motors

## CRUSHER DUTY

### TEFC - NEMA Premium®

Designed for the most demanding crusher applications. These motors are designed for horizontal and vertical mounting and have exceptional high starting and breakdown torques.

WEG's W22 cast iron platform has a superior cooling system and solid feet for cool operation and low vibration and noise, extending the life of the motor.



### Features that make a difference:

- Special Lead Protection
- Oversized Roller bearings
- Versatile starting methods - capable of wye/delta, across the line start (12 leads)
- NPT Threaded terminal box

### Standard Features:

- 50/60 Hz rated (380V on Nameplate - 400/415 available)
- Rated 50Hz at same Horsepower up to 250HP 1.0 Service Factor for 2, 4 & 6 Pole motors
- Class F insulation (Impregnation Resin and Magnet wire are class H)
- NEMA design A. All ratings exceed NEMA design C torque
- F1 Mounted (F2 convertible). Frames 447T and up can easily be F2 converted by simply rotating the terminal box adapter
- Stainless Steel Nameplate - Laser etched with high contrast background
- Gasketed conduit box
- Regreasable bearings
- Largest diameter shafts ("Z" frames) for the highest load ratings in the industry
- Labyrinth seal on both ends - 580Z and 586/7T
- Class I, Div. 2, Groups A, B, C & D – T3, Class II, Div 2, Groups F & G – T3C

**\*Inverter Rated: Meets MG 1 Part 31**

**1000:1 for variable torque  
6:1 for constant torque**

*\* Insulated housing standard on L447/9T and above*







# Severe Duty - Three-Phase Motors

## CRUSHER DUTY

### TEFC - Foot Mount

HP	kW	RPM	Frame	Catalog Number	List Price	Mult. Symbol	Approx. Shipping Weight (lbs)	Service Factor	FL Amps @ High	FL Eff (%)	"C" Dimension (in)	Voltage (V)	Notes
50	37	900	404/5T	<a href="#">05009ET3EKD404T-W22</a>	\$17,648	K1	1483	1.25	60.0	93.0	39.730	230/460	14
60	45	1200	404/5T	<a href="#">06012ET3ERB404T-W22</a>	\$10,497	N1	1262	1.25	69.5	94.5	39.730	230/460	14
		900	404/5T	<a href="#">06009ET3EKD405T-W22</a>	\$20,443	K1	1273	1.15	73.0	93.0	39.730	230/460	14
75	55	1200	404/5T	<a href="#">07512ET3ERB405T-W22</a>	\$12,058	N1	1262	1.25	84.9	94.5	39.730	230/460	14
		1200	404/5T	<a href="#">07512ET3GRB405T-W22</a>	\$12,058	N1	1309	1.25	84.9	94.5	39.730	460	14
		900	444/5T	<a href="#">07509ET3GKD444T-W22</a>	\$23,334	K1	2143	1.25	93.0	93.6	45.157	460	14
		900	444/5T	<a href="#">07509ET3QRB444TF2-W2</a>	\$23,334	N1	1707	1.25	93.0	93.6	45.157	460	14;51
100	75	1800	404/5T	<a href="#">10018ET3ERB405T-W22</a>	\$11,689	N1	1239	1.25	111	95.4	39.730	230/460	14
		1800	404/5T	<a href="#">10018ET3GRB405T-W22</a>	\$11,689	N1	1199	1.25	111	95.4	39.730	460	14
		1800	404/5T	<a href="#">10018ET3HRB405T-W22</a>	\$11,689	N1	1294	1.25	88.8	95.4	39.730	575	14
		1200	444/5T	<a href="#">10012ET3ERB444T-W22</a>	\$15,631	N1	1859	1.25	121	95.0	45.157	230/460	14
		1200	444/5T	<a href="#">10012ET3GRB444T-W22</a>	\$15,631	N1	1854	1.25	121	95.0	45.157	460	14
		900	444/5T	<a href="#">10009ET3GKD445T-W22</a>	\$26,988	K1	1952	1.25	127	94.1	45.157	460	14
125	90	1800	444/5T	<a href="#">12518ET3ERB444T-W22</a>	\$14,748	N1	1730	1.15	139	95.4	45.157	230/460	14
		1800	444/5T	<a href="#">12518ET3GRB444T-W22</a>	\$14,748	N1	1736	1.15	139	95.4	45.157	460	14
		1200	444/5T	<a href="#">12512ET3ERB445T-W22</a>	\$17,947	N1	1993	1.15	143	95.0	45.157	230/460	14
		1200	444/5T	<a href="#">12512ET3GRB445T-W22</a>	\$17,947	N1	1996	1.15	143	95.0	45.157	460	14
		900	445/7T	<a href="#">12509ET3GKD447T-W22</a>	\$28,175	K1	2287	1.15	151	94.5	48.701	460	14
150	110	1800	444/5T	<a href="#">15018ET3GRB445T-W22</a>	\$17,420	N1	1853	1.15	170	95.8	45.157	460	14
		1800	444/5T	<a href="#">15018ET3HRB445T-W22</a>	\$17,420	N1	2034	1.15	136	95.8	45.157	575	14
		1200	445/7T	<a href="#">15012ET3GRB447T-W22</a>	\$20,639	N1	2371	1.15	176	95.8	48.701	460	14
		900	445/7T	<a href="#">15009ET3GKD447T-W22</a>	\$30,677	K1	2457	1.15	185	94.5	48.701	460	14;19
200	150	1800	445/7T	<a href="#">20018ET3GRB447T-W22</a>	\$21,098	N1	2209	1.15	230	96.2	48.701	460	14
		1800	445/7T	<a href="#">20018ET3HRB447T-W22</a>	\$21,098	N1	1850	1.15	184	96.2	48.701	575	14
		1200	445/7T	<a href="#">20012ET3GRB447T-W22</a>	\$25,133	N1	2588	1.15	237	95.8	48.701	460	14
		1200	447/9T	<a href="#">20012ET3GRB449T-W22</a>	\$25,255	N1	2940	1.15	237	95.8	56.338	460	14
		1200	504/5Z	<a href="#">20012ET3GKD505Z-W22</a>	\$25,133	K1	2841	1.15	244	95.4	55.090	460	14;18;43
		1200	504/5Z	<a href="#">20012ET3HKD505Z-W22</a>	\$25,133	K1	2861	1.15	197	95.8	55.090	575	14;18;43
		900	447/9T	<a href="#">20009ET3GKD449T-W22</a>	\$49,899	K1	3268	1.15	254	95.0	56.338	460	14
250	185	1800	445/7T	<a href="#">25018ET3GKD447T-W22</a>	\$26,716	K1	2993	1.15	281	96.2	48.701	460	14
		1800	445/7T	<a href="#">25018ET3GRB447T-W22</a>	\$26,716	N1	2554	1.15	281	96.2	48.701	460	14
		1800	445/7T	<a href="#">25018ET3HRB447T-W22</a>	\$26,716	N1	2414	1.15	225	96.2	48.701	575	14;51
		1800	447/9T	<a href="#">25018ET3GRB449T-W22</a>	\$26,803	N1	2815	1.15	281	96.2	56.338	460	14
		1800	504/5Z	<a href="#">25018ET3GKD505Z-W22</a>	\$26,716	K1	2818	1.15	277	96.2	55.090	460	14;18;43
		1200	447/9T	<a href="#">25012ET3GKD449T-W22</a>	\$35,555	K1	3224	1.15	292	95.8	56.338	460	14
		1200	447/9T	<a href="#">25012ET3GRB449T-W22</a>	\$35,555	N1	3224	1.15	292	95.8	56.338	460	14
		1200	586/7Z	<a href="#">25012ET3GKD580Z-W22</a>	\$39,631	K1	3817	1.15	299	95.8	61.902	460	14;18;43
		1200	586/7Z	<a href="#">25012ET3HKD580Z-W22</a>	\$39,631	K1	4636	1.15	239	95.8	61.902	575	14;18;43;51
		900	586/7T	<a href="#">25009ET3GKD586/7-W22</a>	\$56,168	K1	5128	1.15	299	95.8	61.902	460	14;43

continued on next page

Severe Duty - Three-Phase Motors

Please refer to back cover for description of "NOTES"

For detailed specifications, data sheets, drawings and performance curves visit <http://www.weg.net>

Data subject to change without notice.

Can't find what you are looking for? Call 1-800-ASK-4WEG (275-4934)

# Severe Duty - Three-Phase Motors



## CRUSHER DUTY

### TEFC - Foot Mount - *continued*

HP	kW	RPM	Frame	Catalog Number	List Price	Mult. Symbol	Approx. Shipping Weight (lbs)	Service Factor	FL Amps @ High	FL. Eff (%)	"C" Dimension (in)	Voltage (V)	Notes
300	220	1800	447/9T	<a href="#">30018ET3GKD449T-W22</a>	\$31,384	K1	3030	1.15	330	96.2	56.338	460	14
		1800	447/9T	<a href="#">30018ET3GRB449T-W22</a>	\$31,384	N1	2992	1.15	330	96.2	56.338	460	14
		1800	586/7Z	<a href="#">30018ET3GKD580Z-W22</a>	\$39,112	K1	3552	1.15	351	95.8	61.902	460	14;18;43
		1800	586/7Z	<a href="#">30018ET3HKD580Z-W22</a>	\$39,112	K1	4326	1.15	281	95.8	61.902	575	14;18;43
		1200	447/9T	<a href="#">30012ET3GKD449T-W22</a>	\$38,437	K1	3313	1.00	356	95.8	56.338	460	14
		1200	586/7T	<a href="#">30012ET3GKD586/7-W22</a>	\$44,301	K1	4081	1.15	356	95.8	61.902	460	14;43
		1200	586/7Z	<a href="#">30012ET3GKD580Z-W22</a>	\$44,301	K1	4109	1.15	356	95.8	61.902	460	14;18;43
		1200	586/7Z	<a href="#">30012ET3HKD580Z-W22</a>	\$44,301	K1	4936	1.15	307	95.8	61.902	575	14;18;43
		900	586/7T	<a href="#">30009ET3GKD586/7-W22</a>	\$58,655	K1	5696	1.15	356	95.8	61.902	460	14;43
350	260	1800	447/9T	<a href="#">35018ET3GKD449T-W22</a>	\$36,517	K1	3258	1.15	394	96.2	56.338	460	14
		1800	447/9T	<a href="#">35018ET3GRB449T-W22</a>	\$36,517	N1	2941	1.15	394	96.2	56.338	460	14
		1800	586/7Z	<a href="#">35018ET3GKD580Z-W22</a>	\$41,230	K1	3577	1.15	415	95.8	61.902	460	14;18;43
		1800	586/7Z	<a href="#">35018ET3HKD580Z-W22</a>	\$41,230	K1	4572	1.15	327	96.2	61.902	575	14;18;43
		1200	L447/9T	<a href="#">35012ET3GRB449T-W22</a>	\$47,633	N1	3800	1.15	415	95.8	57.181	460	14;19;37;43
		1200	586/7Z	<a href="#">35012ET3GKD580Z-W22</a>	\$50,250	K1	4401	1.15	421	95.8	61.902	460	14;18;43
		1200	586/7T	<a href="#">35012ET3GKD586/7-W22</a>	\$50,250	K1	4373	1.15	421	95.8	61.902	460	14;43
		900	586/7T	<a href="#">35009ET3GKD586/7-W22</a>	\$64,873	K1	4797	1.00	426	95.8	61.902	460	1;14;43
400	300	1800	L447/9T	<a href="#">40018ET3GRB449T-W22</a>	\$43,805	N1	3404	1.15	445	96.2	57.181	460	14;43
		1800	586/7Z	<a href="#">40018ET3GKD580Z-W22</a>	\$45,805	K1	4052	1.15	466	96.2	61.902	460	14;18;43
		1800	586/7Z	<a href="#">40018ET3HKD580Z-W22</a>	\$45,805	K1	3692	1.15	364	96.2	61.902	575	14;18;43
		1200	L447/9T	<a href="#">40012ET3GRB449T-W22</a>	\$52,307	N1	3827	1.00	477	95.8	57.181	460	14;19;37;43
		1200	586/7T	<a href="#">40012ET3GKD586/7-W22</a>	\$56,201	K1	4699	1.15	483	96.2	61.902	460	14;43
		1200	586/7Z	<a href="#">40012ET3GKD580Z-W22</a>	\$58,210	K1	4572	1.15	483	96.2	61.902	460	14;18;43
		1200	586/7Z	<a href="#">40012ET3HKD580Z-W22</a>	\$58,210	K1	5513	1.15	386	96.2	61.902	575	14;18;43
450	330	1800	L447/9T	<a href="#">45018ET3GRB449T-W22</a>	\$48,010	N1	3657	1.15	501	96.2	57.181	460	14;43
		1800	586/7Z	<a href="#">45018ET3GKD580Z-W22</a>	\$48,053	K1	4277	1.15	527	95.8	61.902	460	14;18;43
		1800	586/7T	<a href="#">45018ET3GKD586/7-W22</a>	\$48,053	K1	5416	1.15	501	96.2	61.902	460	14;43
		1200	586/7Z	<a href="#">45012ET3GKD580Z-W22</a>	\$63,251	K1	5724	1.00	532	96.2	61.902	460	1;14;18;43
		1200	586/7	<a href="#">45012ET3GRB586/7-W22</a>	\$62,251	N1	5248	1.00	532	96.2	61.902	460	1;14;43
500	370	1800	L447/9T	<a href="#">50018ET3GRB449T-W22</a>	\$50,594	N1	5424	1.00	561	96.2	57.181	460	1;14;19;43
		1800	586/7Z	<a href="#">50018ET3GKD580Z-W22</a>	\$51,611	K1	4547	1.00	575	96.2	61.902	460	1;14;18;43
		1200	586/7Z	<a href="#">50012ET3GKD580Z-W22</a>	\$65,962	K1	5024	1.00	603	96.2	61.902	460	1;14;18;43

Severe Duty - Three-Phase Motors

Please refer to back cover for description of "NOTES"

For detailed specifications, data sheets, drawings and performance curves visit <http://www.weg.net>

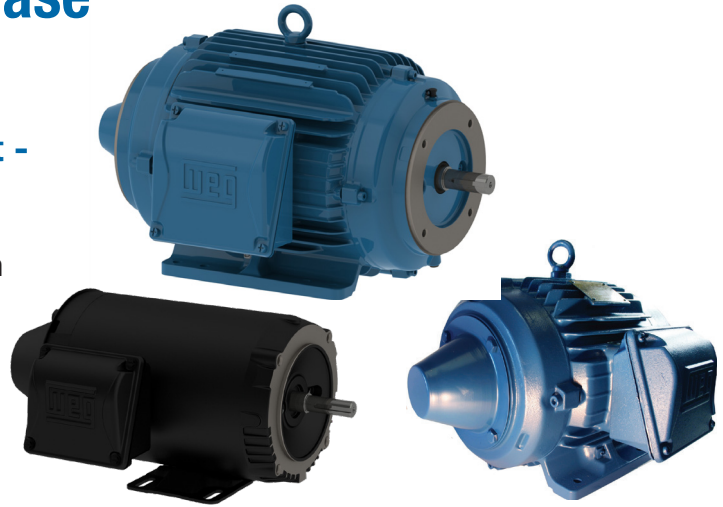
# Severe Duty – Three-Phase

## VECTOR DUTY MOTORS

### TENV - Three-Phase - Foot Mount - Double C-Face

Designed specifically for inverter operation for applications requiring 1000:1 constant torque turndown ratio

- Class H insulation with Spike resistant Magnet wire and Class F Rise
- NEMA design B
- F1 Mounted (F2 convertible)
- Stainless Steel Nameplate - Laser etched with high contrast background
- Gasketed conduit box



Severe Duty - Three-Phase Motors

#### Features that make a difference:

- Constant torque operation from 0 to base speed (1000:1) on PWM Vector Drive
- Constant Horsepower operation up to 150% base speed
- Ready for encoder mount
- With thermostats (1 per phase)
- Special nameplate data for easy drive set-up
- Ready for C-face brake, limited to 10 lb-ft braking torque

**Inverter Rated:  
1000 : 1 for constant torque**

### TENV - Foot Mount - Double C-Face

HP	kW	RPM	Frame	Catalog Number	List Price	Mult. Symbol	Approx. Shipping Weight (lbs)	Service Factor	FL Amps @ High	FL. Eff (%)	"C" Dimension (in)	Voltage (V)	Notes
0.5	0.37	1800	56	<a href="#">.5018NT3FVD56C-S</a>	<b>599</b>		28	1.0	1.0	78.5	10.803	230/460	17
0.75	0.55	1800	56	<a href="#">.7518NT3FVD56C-S</a>	<b>636</b>		31	1.0	1.3	81.5	11.197	230/460	17
1	0.75	1800	56	<a href="#">00118NT3FVD56C-S</a>	<b>681</b>		38	1.0	1.5	85.5	14.788	230/460	17
1	0.75	1800	143/5TC	<a href="#">00118NT3FVD143TC-W22</a>	<b>\$697</b>	D1	51	1.00	1.41	85.5	14.678	230/460	17;19
1.5	1.1	1800	143/5TC	<a href="#">00158NT3FVD145TC-W22</a>	<b>\$705</b>	D1	60	1.00	2.00	86.5	14.678	230/460	17;19
2	1.5	1800	143/5TC	<a href="#">00218NT3FVD145TC-W22</a>	<b>\$928</b>	D1	62	1.00	2.65	86.5	14.678	230/460	17;19
3	2.2	1800	182/4TC	<a href="#">00318NT3FVD182TC-W22</a>	<b>\$1,150</b>	D1	107	1.00	3.91	89.5	16.569	230/460	17;19
5	3.7	1800	182/4TC	<a href="#">00518NT3FVD184TC-W22</a>	<b>\$1,373</b>	D1	116	1.00	7.11	89.5	16.569	230/460	17;19;37
7.5	5.5	1800	213/5TC	<a href="#">00718NT3FVD213TC-W22</a>	<b>\$1,803</b>	D1	173	1.00	9.07	91.7	20.041	230/460	17;19
10	7.5	1800	213/5TC	<a href="#">01018NT3FVD215TC-W22</a>	<b>\$2,157</b>	D1	207	1.00	13.3	91.7	20.041	230/460	17;19;37
15	11	1800	254/6TC	<a href="#">01518NT3FVD254TC-W22</a>	<b>\$2,567</b>	D1	365	1.00	19.4	92.4	25.569	230/460	17;19
20	15	1800	254/6TC	<a href="#">02018NT3FVD256TC-W22</a>	<b>\$3,747</b>	D1	398	1.00	26.6	93.0	25.569	230/460	17;19;37

Note: Flanged motors on Cast Iron frame sizes 143/5 to 254/6 have non-NEMA BA dimension. Refer to mechanical section of this catalog for details.

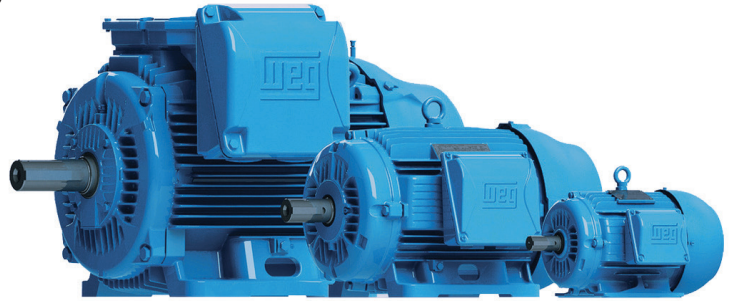


# Severe Duty – Three-Phase Motors

IEC TRU-METRIC™ - Three Phase

## TEFC

This line is designed and built according to IEC Standards 60034 and 60072.



### Standard Features:

- 60 Hz (1.25 Service Factor) and 50 Hz (1.0 Service Factor)
- Class F insulation (Impregnation Resin and Magnet wire are class H)
- F2 mounted as standard (F1 convertible)
- Stainless Steel Nameplate - Laser etched with high contrast background
- Regreasable ball bearings (Frames 160 and up)
- Gasketed conduit box
- Class I, Div. 2, Groups A, B, C & D – T3, Class II, Div 2, Groups F & G – T3C (Cast Iron Frames only)
- Suitable for WYE/Delta Start

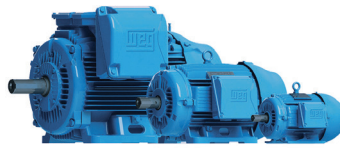
### Features that make a difference:

- 1.25 Service Factor for 60 Hz operation (IE3)
- Optimized ventilation system for cooler operation and low noise levels
- Solid base for lower vibration levels (Cast Iron Frames)
- Frames 225 and up can easily be F1 (B3L) converted by simply rotating the terminal box adapter or F3 by removing it
- Terminal blocks

**\*Inverter Rated (IE3):**  
**1000:1 for variable torque**  
**12:1 for constant torque**

*\* Insulated NDE housing standard on 315L and above.*





# Severe Duty - Three-Phase Motors

IEC TRU-METRIC™

## TEFC - Foot Mount - IE3

HP	kW	RPM	Frame	Catalog Number	List Price	Mult. Symbol	Approx. Shipping Weight (lbs)	Service Factor	FL Amps @ High	FL Eff (%)	"C" Dimension (in)	Voltage (V)	Notes
5.5	4	900/750	160M	<a href="#">00409ET3Y160M-W22</a>	\$1,947	T1	299	1.25	8.17	86.5	23.543	460//380-415/660-690	7
7.5	5.5	1200//1000	132M/L	<a href="#">00512ET3Y132M/L-W22</a>	\$1,760	T1	206	1.25	10.8	91.0	20.276	460//380-415/660-690	7
		900//750	160M	<a href="#">00509ET3Y160M-W22</a>	\$2,244	T1	306	1.25	11.1	87.5	23.543	460//380-415/660-690	7
10	7.5	1200//1000	160M	<a href="#">00712ET3Y160M-W22</a>	\$2,306	T1	306	1.25	13.1	91.0	23.543	460//380-415/660-690	7
		900//750	160L	<a href="#">00709ET3Y160L-W22</a>	\$2,774	T1	352	1.25	15.2	88.5	25.276	460//380-415/660-690	7
15	11	3600//3000	160M	<a href="#">01136ET3Y160M-W22</a>	\$2,102	T1	304	1.25	17.9	91.7	23.543	460//380-415/660-690	7
		1800//1500	160M	<a href="#">01118ET3Y160M-W22</a>	\$1,726	T1	321	1.25	18.2	92.4	23.543	460//380-415/660-690	7
		1200//1000	160L	<a href="#">01112ET3Y160L-W22</a>	\$3,160	T1	354	1.25	18.8	91.7	25.276	460//380-415/660-690	7
		900//750	180L	<a href="#">01109ET3Y180L-W22</a>	\$4,031	T1	419	1.25	19.5	89.5	27.638	460//380-415/660-690	7
20	15	3600//3000	160M	<a href="#">01536ET3Y160M-W22</a>	\$2,413	T1	320	1.25	24.4	91.7	23.543	460//380-415/660-690	7
		1800//1500	160L	<a href="#">01518ET3Y160L-W22</a>	\$2,118	T1	375	1.25	250	93.0	25.276	460//380-415/660-690	7
		1200//1000	180L	<a href="#">01512ET3Y180L-W22</a>	\$3,884	T1	447	1.25	24.7	91.7	27.638	460//380-415/660-690	7
		900//750	200L	<a href="#">01509ET3Y200L-W22</a>	\$5,158	T1	517	1.25	28.0	91.0	30.197	460//380-415/660-690	7
25	18.5	3600//3000	160L	<a href="#">01836ET3Y160L-W22</a>	\$2,925	T1	353	1.25	29.9	92.4	25.276	460//380-415/660-690	7
		1800//1500	180M	<a href="#">01818ET3Y180M-W22</a>	\$2,689	T1	436	1.25	30.6	93.6	26.142	460//380-415/660-690	7
		1200//1000	200L	<a href="#">01812ET3Y200L-W22</a>	\$4,886	T1	552	1.25	30.8	93.0	30.197	460//380-415/660-690	7
		900//750	225S/M	<a href="#">01809ET3Y225S/M-W22</a>	\$5,902	T1	830	1.25	31.6	93.0	34.882	460//380-415/660-690	7
30	22	3600//3000	180M	<a href="#">02236ET3Y180M-W22</a>	\$3,492	T1	424	1.25	34.7	92.4	26.142	460//380-415/660-690	7
		1800//1500	180L	<a href="#">02218ET3Y180L-W22</a>	\$3,225	T1	457	1.25	36.0	93.6	27.638	460//380-415/660-690	7
		1200//1000	200L	<a href="#">02212ET3Y200L-W22</a>	\$4,924	T1	601	1.25	37.1	93.0	30.197	460//380-415/660-690	7
		900//750	225S/M	<a href="#">02209ET3Y225S/M-W22</a>	\$7,506	T1	885	1.25	37.6	93.0	34.882	460//380-415/660-690	7
40	30	3600//3000	200L	<a href="#">03036ET3Y200L-W22</a>	\$4,877	T1	575	1.25	47.1	93.0	30.197	460//380-415/660-690	7
		1800//1500	200L	<a href="#">03018ET3Y200L-W22</a>	\$4,312	T1	580	1.25	49.4	94.1	30.197	460//380-415/660-690	7
		1200//1000	225S/M	<a href="#">03012ET3Y225S/M-W22</a>	\$7,689	T1	1055	1.25	47.6	94.1	34.882	460//380-415/660-690	7
		900//750	250S/M	<a href="#">03009ET3Y250S/M-W22</a>	\$8,858	T1	1078	1.25	50.9	93.6	37.992	460//380-415/660-690	7
50	37	3600//3000	200L	<a href="#">03736ET3Y200L-W22</a>	\$5,487	T1	587	1.25	61.3	93.6	30.197	460//380-415/660-690	7
		1800//1500	225S/M	<a href="#">03718ET3Y225S/M-W22</a>	\$6,984	T1	1041	1.25	58.5	94.5	34.882	460//380-415/660-690	7
		1200//1000	250S/M	<a href="#">03712ET3Y250S/M-W22</a>	\$9,947	T1	1266	1.25	58.8	94.1	37.992	460//380-415/660-690	7
		900//750	280S/M	<a href="#">03709ET3Y280S/M-W22</a>	\$11,751	T1	1481	1.25	64.1	94.1	42.165	460//380-415/660-690	7
60	45	3600//3000	225S/M	<a href="#">04536ET3Y225S/M-W22</a>	\$7,961	T1	1053	1.25	66.7	94.1	33.701	460//380-415/660-690	7
		1800//1500	225S/M	<a href="#">04518ET3Y225S/M-W22</a>	\$7,391	T1	1022	1.25	69.9	950	34.882	460//380-415/660-690	7
		1200//1000	280S/M	<a href="#">04512ET3Y280S/M-W22</a>	\$11,023	T1	1681	1.25	74.7	94.5	42.165	460//380-415/660-690	7
		900//750	280S/M	<a href="#">04509ET3Y280S/M-W22</a>	\$12,815	T1	1631	1.25	77.0	94.1	42.165	460//380-415/660-690	7
75	55	3600//3000	250S/M	<a href="#">05536ET3Y250S/M-W22</a>	\$9,847	T1	1259	1.25	80.3	94.5	37.992	460//380-415/660-690	7
		1800//1500	250S/M	<a href="#">05518ET3Y250S/M-W22</a>	\$8,961	T1	1206	1.25	85.1	95.4	37.992	460//380-415/660-690	7
		1200//1000	280S/M	<a href="#">05512ET3Y280S/M-W22</a>	\$13,622	T1	1794	1.25	90.2	94.5	42.165	460//380-415/660-690	7
		900//750	315S/M	<a href="#">05509ET3Y315S/M-W22</a>	\$15,379	T1	2436	1.25	93.7	94.5	50.157	460//380-415/660-690	7
100	75	3600//3000	280S/M	<a href="#">07536ET3Y280S/M-W22</a>	\$12,472	T1	1776	1.25	111	94.5	42.165	460//380-415/660-690	7
		1800//1500	280S/M	<a href="#">07518ET3Y280S/M-W22</a>	\$12,353	T1	1738	1.25	116	95.4	42.165	460//380-415/660-690	7
		1200//1000	315S/M	<a href="#">07512ET3Y315S/M-W22</a>	\$16,479	T1	2399	1.25	122	95.0	50.157	460//380-415/660-690	7
		900//750	315S/M	<a href="#">07509ET3Y315S/M-W22</a>	\$18,647	T1	2701	1.25	127	95.0	50.157	460//380-415/660-690	7
125	90	3600//3000	280S/M	<a href="#">09036ET3Y280S/M-W22</a>	\$16,720	T1	1862	1.25	132	95.0	42.165	460//380-415/660-690	7
		1800//1500	280S/M	<a href="#">09018ET3Y280S/M-W22</a>	\$15,220	T1	1835	1.25	139	95.4	42.165	460//380-415/660-690	7
		1200//1000	315S/M	<a href="#">09012ET3Y315S/M-W22</a>	\$19,448	T1	2601	1.25	146	95.4	50.157	460//380-415/660-690	7
		900//750	315S/M	<a href="#">09009ET3Y315S/M-W22</a>	\$21,288	T1	2884	1.25	152	95.0	50.157	460//380-415/660-690	7

Severe Duty - Three-Phase Motors

continued on next page

Please refer to back cover for description of "NOTES"

For detailed specifications, data sheets, drawings and performance curves visit <http://www.weg.net>

Data subject to change without notice.

Can't find what you are looking for? Call 1-800-ASK-4WEG (275-4934)

A-117

## TEFC - Foot Mount - IE3 - *continued*

Severe Duty -  
Three-Phase  
Motors

HP	kW	RPM	Frame	Catalog Number	List Price	Mult. Symbol	Approx. Shipping Weight (lbs)	Service Factor	FL Amps @ High	FL Eff (%)	"C" Dimension (in)	Voltage (V)	Notes
150	110	3600/3000	315S/M	<a href="#">11036ET3Y315S/M-W22</a>	\$21,018	T1	2382	1.25	163	95.0	48.976	460/380-415/660-690	7
		1800/1500	280S/M	<a href="#">11018ET3Y280S/M-W22</a>	\$17,078	T1	2210	1.25	170	95.8	42.165	460/380-415/660-690	7
		1200/1000	315S/M	<a href="#">11012ET3Y315S/M-W22</a>	\$22,507	T1	2730	1.25	178	95.8	50.157	460/380-415/660-690	7
		900/750	315L	<a href="#">11009ET3Y315L-W22</a>	\$27,910	T1	3008	1.25	186	95.4	54.685	460/380-415/660-690	7;43
175	132	3600/3000	315S/M	<a href="#">13236ET3Y315S/M-W22</a>	\$23,180	T1	2662	1.25	193	95.4	48.976	460/380-415/660-690	7
		1800/1500	315S/M	<a href="#">13218ET3Y315S/M-W22</a>	\$19,732	T1	2540	1.25	203	96.2	50.157	460/380-415/660-690	7
		1200/1000	315S/M	<a href="#">13212ET3Y315S/M-W22</a>	\$25,642	T1	3031	1.25	214	95.8	50.157	460/380-415/660-690	7
		900/750	315L	<a href="#">13209ET3Y315L-W22</a>	\$33,687	T1	3796	1.25	223	95.4	54.685	460/380-415/660-690	7;43
200	150	3600/3000	315S/M	<a href="#">15036ET3Y315S/M-W22</a>	\$26,249	T1	2682	1.25	219	95.4	48.976	460/380-415/660-690	7
		1800/1500	315S/M	<a href="#">15018ET3Y315S/M-W22</a>	\$21,772	T1	2784	1.25	228	96.2	50.157	460/380-415/660-690	7
		1200/1000	315L	<a href="#">15012ET3Y315L-W22</a>	\$28,298	T1	3557	1.15	240	95.8	54.685	460/380-415/660-690	7;43
250	185	3600/3000	315S/M	<a href="#">18536ET3Y315S/M-W22</a>	\$26,529	T1	2900	1.25	269	95.8	48.976	460/380-415/660-690	7
		1800/1500	315S/M	<a href="#">18518ET3Y315S/M-W22</a>	\$26,247	T1	2948	1.25	284	96.2	50.157	460/380-415/660-690	7
		1200/1000	355M/L	<a href="#">18512ET3Y355M/L-W22</a>	\$43,876	T1	3666	1.15	311	95.8	58.346	460/380-415/660-690	7
300	220	3600/3000	315L	<a href="#">22036ET3Y315L-W22</a>	\$44,212	T1	3468	1.25	315	96.2	53.268	460/380-415/660-690	7;43
		1800/1500	315L	<a href="#">22018ET3Y315L-W22</a>	\$36,234	T1	3113	1.25	338	96.2	54.685	460/380-415/660-690	7;43
		1200/1000	355M/L	<a href="#">22012ET3Y355M/L-W22</a>	\$46,322	T1	4507	1.15	370	95.8	58.346	460/380-415/660-690	7;43
350	260	3600/3000	355M/L	<a href="#">26036ET3Y355M/L-W22</a>	\$50,637	T1	4975	1.15	373	96.2	55.591	460/380-415/660-690	7;43;51
		1800/1500	355M/L	<a href="#">26018ET3Y355M/L-W22</a>	\$43,761	T1	4218	1.15	399	96.2	58.346	460/380-415/660-690	7;43
		1200/1000	355M/L	<a href="#">26012ET3Y355M/L-W22</a>	\$53,001	T1	5075	1.15	436	95.9	58.346	460/380-415/660-690	7;43
400	300	3600/3000	355M/L	<a href="#">30036ET3Y355M/L-W22</a>	\$66,321	T1	4034	1.15	315	96.2	55.591	460/380-415/660-690	7;43
		1800/1500	355M/L	<a href="#">30018ET3Y355M/L-W22</a>	\$60,292	T1	4337	1.00	466	96.2	58.346	460/380-415/660-690	7;43
450	330	1800/1500	355M/L	<a href="#">33018ET3Y355M/L-W22</a>	\$64,557	T1	4906	1.15	505	96.5	58.346	460/380-415/660-690	7;43

## TEFC – Foot Mount - FF-Face Motors

HP	kW	RPM	Frame	Catalog Number	List Price	Mult. Symbol	Approx. Shipping Weight (lbs)	Service Factor	FL Amps @ High	FL Eff (%)	"C" Dimension (in)	Voltage (V)	Notes
0.5	0.37	1800/1500	71	<a href="#">.3718EP3EAL71FF-W22</a>	\$340	T1	26	1.15	1.06	73.0	9.764	230/460/380-415 V	2;7
0.75	0.55	3600/3000	71	<a href="#">.5536EP3EAL71FF-W22</a>	\$366	T1	23	1.15	1.14	76.0	9.764	230/460/380-415 V	2;7
		1800/1500	80	<a href="#">.5518EP3EAL80FF-W22</a>	\$383	T1	28	1.15	1.25	77.0	10.866	230/460/380-415 V	2;7
1	0.75	1800/1500	90S/L	<a href="#">.7518ET3EAL90S/LFF-W</a>	\$479	T1	42	1.25	1.47	85.5	12.953	230/460/380-415 V	2;7
		1800/1500	90S/L	<a href="#">.7518ET3WAL90S/LFF-W</a>	\$479	T1	43	1.25	1.47	85.5	12.953	460/220-240/380-415 V	2;7
2	1.5	1800/1500	90S/L	<a href="#">00158ET3EAL90LFF-W22</a>	\$583	T1	49	1.25	2.79	86.5	12.953	208-230/460/380-415 V	2;7
		1800/1500	90L	<a href="#">00158ET3WAL90LFF-W22</a>	\$583	T1	51	1.25	2.79	86.5	12.953	460/220-240/380-415 V	
		1200/1000	100L	<a href="#">00152ET3WAL100LFF-W2</a>	\$882	T1	76	1.25	3.04	88.5	14.803	460/220-240/380-415 V	2;7
3	2.2	3600/3000	90L	<a href="#">00236ET3WAL90LFF-W22</a>	\$815	T1	46	1.25	3.85	86.5	12.953	460/220-240/380-415 V	
		1800/1500	100L	<a href="#">00218ET3EAL100LFF-W2</a>	\$700	T1	66	1.25	4.11	89.5	14.803	230/460/380-415 V	2;7
		1800/1500	100L	<a href="#">00218ET3WAL100LFF-W2</a>	\$700	T1	68	1.25	4.05	87.5	14.803	460/220-240/380-415 V	
4	3	1800/1500	100L	<a href="#">00318ET3WAL100LFF-W2</a>	\$742	T1	77	1.25	5.33	89.5	14.803	460/220-240/380-415 V	2;7
5.5	4	3600/3000	112M	<a href="#">00436ET3YAL112MFF-W2</a>	\$944	T1	86	1.25	6.67	88.5	15.472	460/380-415 V	2;7
		1800/1500	112M	<a href="#">00418ET3YAL112MFF-W2</a>	\$749	T1	93	1.25	7.28	89.5	15.472	460/380-415 V	2;7
		1200/1000	132M	<a href="#">00412ET3YAL132MFF-W2</a>	\$1,333	T1	147	1.25	7.90	89.5	19.291	460/380-415 V	2;7
7.5	5.5	3600/3000	132S	<a href="#">00536ET3YAL132SFF-W2</a>	\$1,223	T1	135	1.25	8.97	89.5	19.291	460/380-415 V	39
		1800/1500	132S	<a href="#">00518ET3YAL132SFF-W2</a>	\$1,011	T1	142	1.25	9.07	91.7	19.291	460/380-415 V	2;7
10	7.5	3600/3000	132S	<a href="#">00736ET3YAL132SFF-W2</a>	\$1,371	T1	147	1.25	12.3	90.2	19.291	460/380-415 V	2;7
		1800/1500	132M	<a href="#">00718ET3YAL132MFF-W2</a>	\$1,189	T1	159	1.25	12.2	91.7	19.291	460/380-415 V	2;7
15	11	3600/3000	160M	<a href="#">01136ET3Y160MFF-W22</a>	\$2,219	T1	304	1.25	17.9	91.7	23.543	460/380-415 V	7
		1800/1500	160M	<a href="#">01118ET3Y160MFF-W22</a>	\$1,843	T1	304	1.25	18.2	92.4	23.543	460/380-415 V	7
20	15	1800/1500	160L	<a href="#">01518ET3Y160LFF-W22</a>	\$2,235	T1	358	1.25	25.0	93.0	25.276	460/380-415 V	7
30	22	1800/1500	180L	<a href="#">02218ET3Y180LFF-W22</a>	\$3,361	T1	501	1.25	36.0	93.6	27.638	460/380-415 V	7
50	37	3600/3000	200L	<a href="#">03736ET3Y200LFF-W22</a>	\$5,789	T1	595	1.25	61.3	93.6	30.197	460/380-415 V	7;51
		1800/1500	225S/M	<a href="#">03718ET3Y225S/MFF-W22</a>	\$7,774	T1	1058	1.25	58.5	94.5	34.882	460/380-415 V	7

Please refer to back cover for description of "NOTES"

For detailed specifications, data sheets, drawings and performance curves visit [http:// www.weg.net](http://www.weg.net)

# Explosion Proof Motors

## SINGLE-PHASE

Foot Mount .....	A-121
C-Face – Foot Mount .....	A-121

## THREE-PHASE

Foot Mount .....	A-123
C-Face – Foot Mount .....	A-127
C-Face – Footless .....	A-128
JP – Foot Mount .....	A-128
ATEX Foot Mount .....	A-130



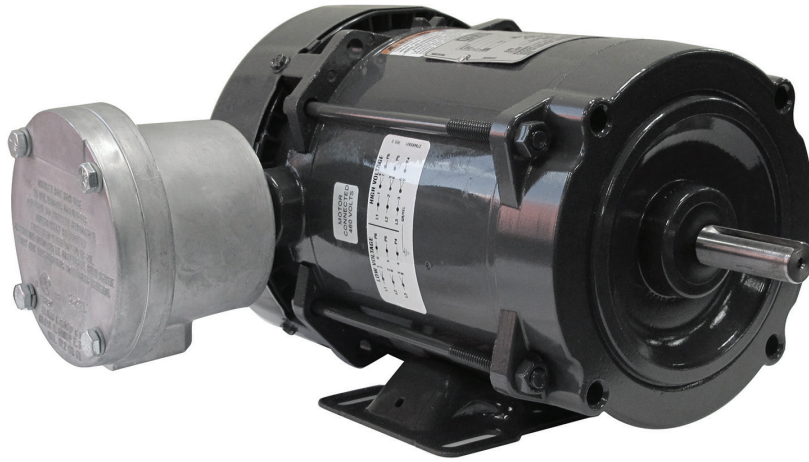
Please refer to back cover for description of "NOTES"

For detailed specifications, data sheets, drawings and performance curves visit <http://www.weg.net>

Data subject to change without notice.

Can't find what you are looking for? Call 1-800-ASK-4WEG (275-4934)

# Fractional Explosion Proof Motors



## Features:

- Class F insulation
- 1.0 service factor
- Foot mount motors with and without C-flange
- Class I, Division 1 – Group C & D and Class II, Division 1 – Group E, F & G – T3B
- Thermally Protected
- 24" long leads for remote wiring
- Aluminum endshields
- Not rated for VFD



Explosion Proof  
Motors

## Features that make a difference:

- 50°C ambient temperature rating
- Three-Phase motors also rated for 50Hz
- Unassembled aluminum conduit box included

Please contact your authorized WEG distributor or go to [weg.net](http://weg.net) for further information or additional specifications. **1-800-ASK-4WEG**







### Foot Mount

HP	kW	RPM	Frame	Catalog Number	List Price	Mult. Symbol	Approx. Shipping Weight (lbs)	Service Factor	FL Amps @ High	FL. Eff (%)	"C" Dimension (in)	Voltage (V)	Notes
0.33	0.25	3600	56	<b>.3336XS1B56</b>	<b>\$612</b>	XF	23	1.00	2.60	59.7	11.790	115/208-230	1;3;9;42
		1800	56	<b>.3318XS1B56</b>	<b>\$670</b>	XF	25	1.00	3.00	60.4	11.790	115/208-230	1;3;9;42
0.5	0.37	3600	56	<b>.5036XS1B56</b>	<b>\$636</b>	XF	26	1.00	3.40	66.7	12.040	115/208-230	1;3;9;42
		1800	56	<b>.5018XS1B56</b>	<b>\$739</b>	XF	27	1.00	4.20	62.4	12.290	115/208-230	1;3;9;42
0.75	0.55	3600	56	<b>.7536XS1B56</b>	<b>\$717</b>	XF	30	1.00	4.30	74.5	12.540	115/208-230	1;3;9;42
		1800	56	<b>.7518XS1B56</b>	<b>\$868</b>	XF	34	1.00	4.52	70.8	13.040	115/208-230	1;3;9;42
1	0.75	3600	56	<b>00136XS1B56</b>	<b>\$774</b>	XF	32	1.00	5.30	76.5	13.040	115/208-230	1;3;9;42
		1800	56	<b>00118XS1B56</b>	<b>\$988</b>	XF	37	1.00	6.30	74.8	13.790	115/208-230	1;3;9;42
1.5	1.1	3600	56	<b>00156XS1C56</b>	<b>\$1,121</b>	XF	38	1.00	7.80	80.0	14.040	208-230	1;3;9;42
		1800	56H	<b>00158XS1C56H</b>	<b>\$1,324</b>	XF	48	1.00	7.80	80.0	15.420	208-230	1;3;9;42
2	1.5	3600	56H	<b>00236XS1C56H</b>	<b>\$1,408</b>	XF	43	1.00	9.80	81.1	14.540	208-230	1;3;9;42



### C-Face - Foot Mount

HP	kW	RPM	Frame	Catalog Number	List Price	Mult. Symbol	Approx. Shipping Weight (lbs)	Service Factor	FL Amps @ High	FL. Eff (%)	"C" Dimension (in)	Voltage (V)	Notes
0.33	0.25	3600	56C	<b>.3336XS1B56C</b>	<b>\$737</b>	XF	23	1.00	2.60	59.7	11.790	115/208-230	1;3;9;42
		1800	56C	<b>.3318XS1B56C</b>	<b>\$816</b>	XF	25	1.00	3.00	60.4	11.790	115/208-230	1;3;9;42
0.5	0.37	3600	56C	<b>.5036XS1B56C</b>	<b>\$717</b>	XF	26	1.00	3.40	66.7	12.040	115/208-230	1;3;9;42
		1800	56C	<b>.5018XS1B56C</b>	<b>\$817</b>	XF	27	1.00	4.20	62.4	12.290	115/208-230	1;3;9;42
0.75	0.55	3600	56C	<b>.7536XS1B56C</b>	<b>\$773</b>	XF	30	1.00	4.30	74.5	12.540	115/208-230	1;3;9;42
		1800	56C	<b>.7518XS1B56C</b>	<b>\$912</b>	XF	34	1.00	4.52	70.8	13.040	115/208-230	1;3;9;42
1	0.75	3600	56C	<b>00136XS1B56C</b>	<b>\$814</b>	XF	32	1.00	5.30	76.5	13.040	115/208-230	1;3;9;42
		1800	56C	<b>00118XS1B56C</b>	<b>\$1,036</b>	XF	37	1.00	6.30	74.8	13.790	115/208-230	1;3;9;42
1.5	1.1	3600	56C	<b>00156XS1C56C</b>	<b>\$1,274</b>	XF	38	1.00	7.80	80.0	14.040	208-230	1;3;9;42
		1800	56HC	<b>00158XS1C56HC</b>	<b>\$1,420</b>	XF	48	1.00	7.80	80.0	15.420	208-230	1;3;9;42
2	1.5	3600	56HC	<b>00236XS1C56HC</b>	<b>\$1,457</b>	XF	43	1.00	9.80	81.1	14.540	208-230	1;3;9;42

Explosion Proof Motors

Please refer to back cover for description of "NOTES"

For detailed specifications, data sheets, drawings and performance curves visit [http:// www.weg.net](http://www.weg.net)

Data subject to change without notice.

Can't find what you are looking for? Call 1-800-ASK-4WEG (275-4934)

# Explosion Proof Motors

NEMA Premium® EFFICIENCY MOTORS

WEG Explosion Proof motors are suitable for applications requiring UL or CSA certification for hazardous locations.

## Standard Features:

- Class F insulation (Impregnation Resin and Magnet wire are class H)
- F1 Mounted
- Stainless Steel Nameplate - Laser etched with high contrast background
- Regreasable ball bearings (Frames 254T and up)
- Corrosion resistant Epoxy/Polyurethane Paint system (C3 per ISO12944)
- CSA Approved - File LR50962
  - Class I, Division 1, Groups C & D Temperature Code T3C
  - Class II, Division 1, Groups F & G Temperature Code T3C
- UL Listed - File E87848
  - Class I, Division 1, Groups C & D
  - Class II, Division 1, Groups F & G<sup>1</sup>
  - Frame (143T-326T) Temperature Code T3C<sup>2</sup>
  - Frame (364T and up) Temperature Code T3C

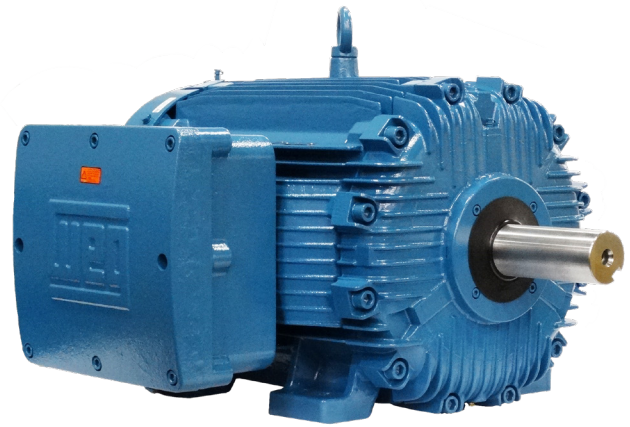
<sup>1)</sup> Class II UL only available as IP54 Modification.

Stock units are Class II only for cCSA<sub>US</sub>

<sup>2)</sup> T4 Temperature Code available on sine wave power as mod

<sup>3)</sup> 1000:1 Constant torque available as factory build with XP blower or as a modification with 20% derated HP.

(Contact Sales for details)



## Features that make a difference:

- NPT threaded terminal box
- Non-sparking fan
- Thermostats
- IP55 rated enclosure
- VFD Rated

Available with AEGIS® SGR Inside  
213T and larger as stock mod

**cUL<sub>US</sub> / cCSA<sub>US</sub> Inverter Rated: 143T – 586/7  
UL Listed - (File E87848)**

**CSA US - (Certificate 1629892)**

**Constant Torque<sup>3)</sup>**

20:1 for frames 143T to 215T - Class I & II

6:1 for frames 254T to 326T – Class I & II

2:1 for frame 364/5T to 586/7T - Class I & II

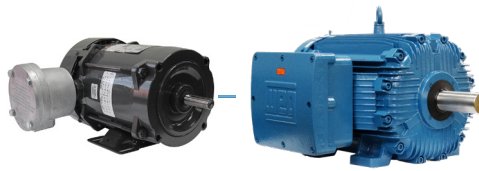
(Class I only for 449T)

**Variable Torque**

1000:1 for all frames excluding 449T - Class I & II

1000:1 for 449T - Class I only





# Explosion Proof Motors

## THREE -PHASE

### Foot Mount

HP	kW	RPM	Frame	Catalog Number	List Price	Mult. Symbol	Approx. Shipping Weight (lbs)	Service Factor	FL Amps @ High	FL Eff (%)	"C" Dimension (in)	Voltage (V)	Notes
0.33	0.25	3600	56	.3336XS3E56	\$650	XF	21	1.00	0.60	69.8	10.520	208-230/460	1;3;9;42
		1800	56	.3318XS3E56	\$713	XF	23	1.00	0.60	76.7	10.520	208-230/460	1;3;9;17;42
0.5	0.37	3600	56	.5036XS3E56	\$782	XF	24	1.00	0.90	73.1	11.790	208-230/460	1;3;9;42
		1800	56	.5018XS3E56	\$741	XF	27	1.00	0.85	79.1	11.920	208-230/460	1;3;9;42
0.75	0.55	3600	56	.7536XS3E56	\$815	XF	25	1.00	1.20	77.1	11.790	208-230/460	1;3;9;42
		1800	56	.7518XS3E56	\$817	XF	28	1.00	1.40	78.6	12.290	208-230/460	1;3;9;42
1	0.75	3600	56	00136XT3E56	\$858	XF	27	1.00	1.60	77.0	11.920	230/460	1;3;9;42
		3600	143/5T	00136XT3E143T	\$886	XT	64	1.15	1.41	81.5	13.752	230/460	
		1800	56	00118XT3E56	\$922	XF	31	1.00	1.60	85.5	13.660	230/460	1;3;9;42
		1800	143/5T	00118XT3E143T	\$901	XT	62	1.15	1.43	85.5	13.752	230/460	
		1800	143/5T	00118XT3H143T	\$901	XT	62	1.15	1.14	85.5	13.752	575	
		1200	143/5T	00112XT3E145T	\$988	XT	71	1.15	1.54	82.5	13.752	230/460	
		1200	143/5T	00112XT3H145T	\$988	XT	71	1.15	1.23	82.5	13.752	575	
		900	182/4T	00109XT3E182T	\$1,974	XT	120	1.15	2.30	78.5	15.862	230/460	
1.5	1.1	3600	56	00156XT3E56	\$1,050	XF	30	1.00	2.10	84.0	12.780	230/460	1;3;9;42
		3600	143/5T	00156XT3E143T	\$916	XT	65	1.15	2.05	84.0	13.752	230/460	
		3600	143/5T	00156XT3H143T	\$916	XT	64	1.15	1.64	84.0	13.752	575	
		1800	56H	00158XT3E56H	\$1,003	XF	41	1.00	2.10	86.5	14.540	230/460	1;3;9;42
		1800	143/5T	00158XT3E145T	\$963	XT	70	1.15	2.05	86.5	13.752	230/460	
		1800	143/5T	00158XT3H145T	\$963	XT	69	1.15	1.64	86.5	13.752	575	
		1200	182/4T	00152XT3E182T	\$1,105	XT	121	1.15	2.32	87.5	15.862	230/460	
		1200	182/4T	00152XT3H182T	\$1,105	XT	119	1.15	1.86	87.5	15.862	575	51
		900	182/4T	00159XT3E184T	\$1,901	XT	136	1.15	2.70	82.5	15.862	230/460	39
2	1.5	3600	56H	00236XT3E56H	\$1,171	XF	35	1.00	2.70	85.5	14.040	230/460	1;3;9;42
		3600	143/5T	00236XT3E145T	\$935	XT	72	1.15	2.69	85.5	13.752	230/460	
		3600	143/5T	00236XT3H145T	\$935	XT	72	1.15	2.15	85.5	13.752	575	
		1800	56H	00218XT3E56H	\$1,090	XF	48	1.00	2.70	86.5	15.040	230/460	1;3;9;42
		1800	143/5T	00218XT3E145T	\$995	XT	70	1.15	2.72	86.5	13.752	230/460	
		1800	143/5T	00218XT3H145T	\$995	XT	70	1.15	2.18	86.5	13.752	575	
		1200	182/4T	00212XT3E184T	\$1,158	XT	137	1.15	3.13	88.5	15.862	230/460	39
		1200	182/4T	00212XT3H184T	\$1,158	XT	137	1.15	2.50	88.5	15.862	575	39
		900	213/5T	00209XT3E213T	\$2,439	XT	174	1.15	3.45	84.0	19.450	230/460	
3	2.2	3600	182/4T	00336XT3E182T	\$1,192	XT	120	1.15	3.76	86.5	15.862	230/460	
		3600	182/4T	00336XT3H182T	\$1,192	XT	120	1.15	3.01	86.5	15.862	575	
		1800	182/4T	00318XT3E182T	\$1,208	XT	120	1.15	3.91	89.5	15.862	230/460	
		1800	182/4T	00318XT3H182T	\$1,208	XT	120	1.15	3.13	89.5	15.862	575	
		1200	213/5T	00312XT3E213T	\$1,792	XT	187	1.15	4.41	89.5	19.450	230/460	
		1200	213/5T	00312XT3H213T	\$1,792	XT	187	1.15	3.53	89.5	19.450	575	
		900	213/5T	00309XT3E215T	\$2,805	XT	205	1.15	4.36	85.5	19.450	230/460	
5	3.7	3600	182/4T	00536XT3E184T	\$1,255	XT	135	1.15	6.10	88.5	15.862	230/460	39
		3600	182/4T	00536XT3H184T	\$1,255	XT	135	1.15	4.88	88.5	15.862	575	39
		1800	182/4T	00518XT3E184T	\$1,220	XT	127	1.15	6.57	89.5	15.862	230/460	39
		1800	182/4T	00518XT3H184T	\$1,220	XT	137	1.15	5.26	89.5	15.862	575	39
		1200	213/5T	00512XT3E215T	\$1,899	XT	213	1.15	6.83	89.5	19.450	230/460	
		1200	213/5T	00512XT3H215T	\$1,899	XT	213	1.15	5.46	89.5	19.450	575	
		900	254T	00509XT3E254T	\$3,953	XT	344	1.15	7.93	87.5	23.175	230/460	

continued on next page

Please refer to back cover for description of "NOTES"

For detailed specifications, data sheets, drawings and performance curves visit <http://www.weg.net>

Data subject to change without notice.

Can't find what you are looking for? Call 1-800-ASK-4WEG (275-4934)

A-123

Explosion Proof Motors

THREE -PHASE

Foot Mount - *continued*

HP	kW	RPM	Frame	Catalog Number	List Price	Mult. Symbol	Approx. Shipping Weight (lbs)	Service Factor	FL Amps @ High	FL Eff (%)	"C" Dimension (in)	Voltage (V)	Notes
7.5	5.5	3600	213/5T	00736XT3E213T	\$1,646	XT	182	1.15	8.57	89.5	19.450	230/460	
		3600	213/5T	00736XT3H213T	\$1,646	XT	182	1.15	6.86	89.5	19.450	575	
		1800	213/5T	00718XT3E213T	\$1,897	XT	178	1.15	9.41	91.7	19.450	230/460	
		1800	213/5T	00718XT3H213T	\$1,897	XT	177	1.15	7.53	91.7	19.450	575	
		1200	254T	00712XT3E254T	\$2,483	XT	344	1.15	9.73	91.0	23.175	230/460	
		1200	254T	00712XT3H254T	\$2,483	XT	344	1.15	7.78	91.0	23.175	575	
		900	256T	00709XT3E256T	\$4,707	XT	388	1.15	11.6	87.5	24.923	230/460	
10	7.5	3600	213/5T	01036XT3E215T	\$1,727	XT	207	1.15	11.6	90.2	19.450	230/460	
		3600	213/5T	01036XT3H215T	\$1,727	XT	206	1.15	9.28	90.2	19.450	575	
		1800	L213/5T	01018XT3E215T	\$1,997	XT	149	1.15	12.7	91.7	20.631	230/460	
		1800	L213/5T	01018XT3H215T	\$1,997	XT	213	1.15	10.2	91.7	20.631	575	
		1200	256T	01012XT3E256T	\$2,900	XT	387	1.15	13.3	91.0	24.923	230/460	
		1200	256T	01012XT3H256T	\$2,900	XT	387	1.15	10.6	91.0	24.923	575	
		900	284T	01009XT3E284T	\$5,668	XT	496	1.15	13.3	91.0	26.407	230/460	
15	11	3600	254T	01536XT3E254T	\$2,387	XT	343	1.15	17.4	91.0	23.175	230/460	
		3600	254T	01536XT3H254T	\$2,387	XT	342	1.15	13.9	91.0	23.175	575	
		1800	254T	01518XT3E254T	\$2,653	XT	348	1.15	18.4	92.4	23.175	230/460	
		1800	254T	01518XT3H254T	\$2,653	XT	302	1.15	14.7	92.4	23.175	575	
		1200	284T	01512XT3E284T	\$4,048	XT	498	1.15	17.5	91.7	26.407	230/460	
		1200	284T	01512XT3H284T	\$4,048	XT	497	1.15	14.0	91.7	26.407	575	
		900	286T	01509XT3E286T	\$7,102	XT	536	1.15	19.0	91.0	27.905	230/460	
20	15	3600	256T	02036XT3E256T	\$3,083	XT	380	1.15	23.2	91.0	24.923	230/460	
		3600	256T	02036XT3H256T	\$3,083	XT	379	1.15	18.6	91.0	24.923	575	
		1800	256T	02018XT3E256T	\$3,008	XT	391	1.15	25.0	93.0	24.923	230/460	
		1800	256T	02018XT3H256T	\$3,008	XT	392	1.15	20.0	93.0	24.923	575	
		1200	286T	02012XT3E286T	\$4,444	XT	537	1.15	24.2	91.7	27.905	230/460	
		1200	286T	02012XT3H286T	\$4,444	XT	536	1.15	19.4	91.7	27.905	575	
		900	324T	02009XT3E324T	\$8,390	XT	654	1.15	27.5	92.4	29.602	230/460	
25	18.5	3600	284TS	02536XT3E284TS	\$4,188	XT	493	1.15	28.6	92.4	25.033	230/460	
		3600	284TS	02536XT3H284TS	\$4,188	XT	493	1.15	22.9	92.4	25.033	575	
		1800	284T	02518XT3E284T	\$3,886	XT	486	1.15	29.9	93.6	26.407	230/460	
		1800	284T	02518XT3H284T	\$3,886	XT	506	1.15	23.9	93.6	26.407	575	
		1200	324T	02512XT3E324T	\$5,375	XT	686	1.15	30.4	93.0	29.602	230/460	
		1200	324T	02512XT3H324T	\$5,375	XT	665	1.15	24.3	93.0	29.602	575	
		900	326T	02509XT3E326T	\$10,512	XT	713	1.15	35.4	92.4	31.106	230/460	
30	22	3600	286TS	03036XT3E286TS	\$4,262	XT	544	1.15	33.7	93.0	26.531	230/460	
		3600	286TS	03036XT3H286TS	\$4,262	XT	543	1.15	27.0	93.0	26.531	575	
		1800	286T	03018XT3E286T	\$4,296	XT	650	1.15	36.0	93.6	27.905	230/460	
		1800	286T	03018XT3H286T	\$4,296	XT	546	1.15	28.8	93.6	27.905	575	
		1200	326T	03012XT3E326T	\$6,196	XT	747	1.15	36.7	93.0	31.106	230/460	
		1200	326T	03012XT3H326T	\$6,196	XT	734	1.15	29.4	93.0	31.106	575	
		900	364/5T	03009XT3E364T	\$15,071	XT	1010	1.15	38.5	93.0	33.701	230/460	

*continued on next page*

Please refer to back cover for description of "NOTES"

For detailed specifications, data sheets, drawings and performance curves visit <http://www.weg.net>



### Foot Mount - continued

HP	kW	RPM	Frame	Catalog Number	List Price	Mult. Symbol	Approx. Shipping Weight (lbs)	Service Factor	FL Amps @ High	FL. Eff (%)	"C" Dimension (in)	Voltage (V)	Notes
40	30	3600	324TS	<a href="#">04036XT3E324TS</a>	\$5,583	XT	669	1.15	45.8	93.6	28.102	230/460	
		3600	324TS	<a href="#">04036XT3H324TS</a>	\$5,583	XT	669	1.15	36.6	93.6	28.102	575	
		1800	324T	<a href="#">04018XT3E324T</a>	\$5,380	XT	690	1.15	48.2	94.1	29.602	230/460	
		1800	324T	<a href="#">04018XT3H324T</a>	\$5,380	XT	693	1.15	38.6	94.1	29.602	575	
		1200	364/5T	<a href="#">04012XT3E364T</a>	\$10,576	XT	1091	1.15	47.1	94.1	33.701	230/460	
		1200	364/5T	<a href="#">04012XT3H364T</a>	\$10,576	XT	1084	1.15	37.7	94.1	33.701	575	
		900	364/5T	<a href="#">04009XT3E365T</a>	\$15,505	XT	1110	1.15	52.2	93.6	33.701	230/460	
50	37	3600	326TS	<a href="#">05036XT3E326TS</a>	\$6,582	XT	731	1.15	55.5	94.1	29.606	230/460	
		3600	326TS	<a href="#">05036XT3H326TS</a>	\$6,582	XT	723	1.15	44.4	94.1	29.606	575	
		1800	326T	<a href="#">05018XT3E326T</a>	\$6,545	XT	702	1.15	60.6	94.5	31.106	230/460	
		1800	326T	<a href="#">05018XT3H326T</a>	\$6,545	XT	732	1.15	48.5	94.5	31.106	575	
		1200	364/5T	<a href="#">05012XT3E365T</a>	\$11,197	XT	1124	1.15	58.1	94.1	33.701	230/460	
		1200	364/5T	<a href="#">05012XT3H365T</a>	\$11,197	XT	1113	1.15	46.5	94.1	33.701	575	
		900	404/5T	<a href="#">05009XT3E404T</a>	\$22,443	XT	1338	1.15	68.0	93.6	38.074	230/460	
60	45	3600	364/5TS	<a href="#">06036XT3E364TS</a>	\$9,988	XT	1109	1.15	68.2	94.1	31.575	230/460	
		3600	364/5TS	<a href="#">06036XT3H364TS</a>	\$9,988	XT	1114	1.15	54.6	94.1	31.575	575	
		1800	364/5T	<a href="#">06018XT3E364T</a>	\$10,460	XT	1146	1.15	68.3	95.0	33.701	230/460	
		1800	364/5T	<a href="#">06018XT3H364T</a>	\$10,460	XT	1112	1.15	54.6	95.0	33.701	575	
		1200	404/5T	<a href="#">06012XT3E404T</a>	\$13,196	XT	1279	1.15	70.3	94.5	38.074	230/460	
		1200	404/5T	<a href="#">06012XT3H404T</a>	\$13,196	XT	1222	1.15	56.2	94.5	38.074	575	
		900	404/5T	<a href="#">06009XT3E405T</a>	\$26,900	XT	1336	1.15	75.9	93.0	38.074	230/460	
75	55	3600	364/5TS	<a href="#">07536XT3E365TS</a>	\$11,285	XT	1110	1.15	82.4	94.1	31.575	230/460	
		3600	364/5TS	<a href="#">07536XT3H365TS</a>	\$11,285	XT	1033	1.15	65.9	94.1	31.575	575	
		1800	364/5T	<a href="#">07518XT3E365T</a>	\$11,125	XT	1146	1.15	83.2	95.4	33.701	230/460	
		1800	364/5T	<a href="#">07518XT3H365T</a>	\$11,125	XT	1133	1.15	66.6	95.4	33.701	575	
		1200	404/5T	<a href="#">07512XT3E405T</a>	\$13,836	XT	1330	1.15	87.0	94.5	38.074	230/460	
		900	444/5T	<a href="#">07509XT3E444T</a>	\$29,094	XT	2077	1.15	92.2	93.6	43.797	230/460	
100	75	3600	404/5TS	<a href="#">10036XT3E405TS</a>	\$12,999	XT	1290	1.15	110	95.0	35.074	230/460	
		3600	404/5TS	<a href="#">10036XT3G405TS</a>	\$12,999	XT	1214	1.15	110	95.0	35.074	460	
		3600	404/5TS	<a href="#">10036XT3H405TS</a>	\$12,999	XT	1296	1.15	88.1	95.0	35.074	575	
		1800	404/5T	<a href="#">10018XT3E405T</a>	\$14,206	XT	1317	1.15	113	95.4	38.074	230/460	
		1800	404/5T	<a href="#">10018XT3G405T</a>	\$14,206	XT	1313	1.15	113	95.4	38.074	460	
		1800	404/5T	<a href="#">10018XT3H405T</a>	\$14,206	XT	1322	1.15	90.4	95.4	38.074	575	
		1200	444/5T	<a href="#">10012XT3E444T</a>	\$21,032	XT	2268	1.15	121	95.0	43.797	230/460	
		1200	444/5T	<a href="#">10012XT3G444T</a>	\$21,032	XT	2233	1.15	121	95.0	43.797	460	
		900	444/5T	<a href="#">10009XT3E445T</a>	\$31,191	XT	2225	1.15	125	94.1	43.797	230/460	
125	90	3600	444/5TS	<a href="#">12536XT3G444TS</a>	\$20,874	XT	2173	1.15	132	95.0	40.047	460	
		1800	444/5T	<a href="#">12518XT3E444T</a>	\$19,961	XT	2214	1.15	142	95.4	43.797	230/460	
		1800	444/5T	<a href="#">12518XT3G444T</a>	\$19,961	XT	2208	1.15	142	95.4	43.797	460	
		1200	444/5T	<a href="#">12512XT3G445T</a>	\$21,537	XT	2428	1.15	150	95.0	43.797	460	

continued on next page

Explosion Proof Motors

Please refer to back cover for description of "NOTES"

For detailed specifications, data sheets, drawings and performance curves visit <http://www.weg.net>

Data subject to change without notice.

Can't find what you are looking for? Call 1-800-ASK-4WEG (275-4934)

THREE -PHASE

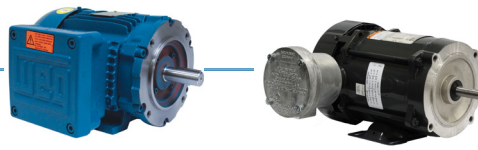
## Foot Mount - *continued*

HP	kW	RPM	Frame	Catalog Number	List Price	Mult. Symbol	Approx. Shipping Weight (lbs)	Service Factor	FL Amps @ High	FL. Eff (%)	"C" Dimension (in)	Voltage (V)	Notes
150	110	3600	444/5TS	<a href="#">15036XT3G445TS</a>	\$21,320	XT	2345	1.15	161	95.4	40.047	460	
		1800	444/5T	<a href="#">15018XT3E445T</a>	\$21,557	XT	2364	1.15	170	95.8	43.797	230/460	
		1800	444/5T	<a href="#">15018XT3G445T</a>	\$21,557	XT	2358	1.15	170	95.8	43.797	460	
		1800	444/5T	<a href="#">15018XT3H445T</a>	\$21,557	XT	2353	1.15	136	95.8	43.797	575	
		1200	447T	<a href="#">15012XT3G447T</a>	\$32,370	XT	2828	1.15	174	95.8	47.339	460	
		1200	504/5T	<a href="#">15012XT3G504</a>	\$32,370	XT	2869	1.15	174	95.8	49.445	460	43;51
200	150	3600	447TS	<a href="#">20036XT3G447TS</a>	\$29,446	XT	2656	1.15	221	95.8	43.589	460	
		1800	447T	<a href="#">20018XT3G447T</a>	\$29,397	XT	2585	1.15	230	96.2	47.339	460	
		1800	504/5T	<a href="#">20018XT3G504</a>	\$29,397	XT	2534	1.15	230	96.2	49.445	460	37;43
		1200	447T	<a href="#">20012XT3G447T</a>	\$33,613	XT	2848	1.15	249	95.8	47.339	460	
250	185	3600	447TS	<a href="#">25036XT3G447TS</a>	\$31,124	XT	2774	1.15	269	95.8	43.589	460	
		1800	447T	<a href="#">25018XT3G447T</a>	\$32,866	XT	2853	1.15	284	96.2	47.339	460	
		1800	447T	<a href="#">25018XT3H447T</a>	\$32,866	XT	2742	1.15	227	96.2	47.339	575	
		1200	449T	<a href="#">25012XT3G449T</a>	\$48,048	XT	3352	1.15	299	95.8	54.996	460	
300	220	3600	449TS	<a href="#">30036XT3G449TS</a>	\$48,747	XT	3185	1.15	320	95.8	51.246	460	37;51
		1800	449T	<a href="#">30018XT3G449T</a>	\$42,566	XT	3280	1.15	334	96.2	54.996	460	37
		1200	449T	<a href="#">30012XT3G449T</a>	\$52,790	XT	3361	1.15	351	95.8	54.996	460	
350	260	3600	449TS	<a href="#">35036XT3G449TS</a>	\$65,868	XT	3802	1.15	379	95.8	51.246	460	
		1800	449T	<a href="#">35018XT3G449T</a>	\$53,222	XT	3476	1.15	390	96.2	54.996	460	37
		1200	586/7	<a href="#">35012XT3G586/7</a>	\$71,652	XT	4655	1.15	421	95.8	61.389	460	43
400	300	1800	586/7	<a href="#">40018XT3G586/7</a>	\$61,096	XT	4345	1.15	460	96.2	61.389	460	43
		1200	586/7	<a href="#">40012XT3G586/7</a>	\$75,473	XT	5267	1.15	479	95.8	61.389	460	43
450	330	1800	586/7	<a href="#">45018XT3G586/7</a>	\$65,201	XT	4747	1.15	501	96.2	61.389	460	19;43
500	370	1800	586/7	<a href="#">50018XT3G586/7</a>	\$70,086	XT	5063	1.00	568	96.2	61.389	460	1;19;43

Explosion Proof Motors

Please refer to back cover for description of "NOTES"

For detailed specifications, data sheets, drawings and performance curves visit <http://www.weg.net>



# Explosion Proof Motors

## THREE -PHASE

### C-Face - Foot Mount

HP	kW	RPM	Frame	Catalog Number	List Price	Mult. Symbol	Approx. Shipping Weight (lbs)	Service Factor	FL Amps @ High	FL Eff (%)	"C" Dimension (in)	Voltage (V)	Notes
0.33	0.25	3600	56C	.3336XS3E56C	\$821	XF	21	1.00	0.60	69.8	10.520	208-230/460	1;3;9;42
		1800	56C	.3318XS3E56C	\$877	XF	23	1.00	0.60	76.7	10.520	208-230/460	1;3;9;17;42
0.5	0.37	3600	56C	.5036XS3E56C	\$856	XF	24	1.00	0.90	73.1	11.790	208-230/460	1;3;9;42
		1800	56C	.5018XS3E56C	\$926	XF	27	1.00	0.85	79.1	11.920	208-230/460	1;3;9;42
0.75	0.55	3600	56C	.7536XS3E56C	\$884	XF	25	1.00	1.20	77.1	11.790	208-230/460	1;3;9;42
		1800	56C	.7518XS3E56C	\$944	XF	28	1.00	1.40	78.6	12.290	208-230/460	1;3;9;42
1	0.75	3600	56C	00136XT3E56C	\$924	XF	27	1.00	1.60	77.0	11.920	230/460	1;3;9;42
		1800	56C	00118XT3E56C	\$1,007	XF	31	1.00	1.60	82.2	13.660	230/460	1;3;9;42
		1800	143/5TC	00118XT3E143TC	\$1,054	XT	71	1.15	1.43	85.5	13.752	230/460	
		1200	143/5TC	00112XT3E145TC	\$1,107	XT	80	1.15	1.54	82.5	13.752	230/460	
1.5	1.1	3600	56C	00156XT3E56C	\$1,038	XF	30	1.00	2.10	84.0	12.780	230/460	1;3;9;42
		3600	143/5TC	00156XT3E143TC	\$1,069	XT	73	1.15	2.05	84.0	13.752	230/460	
		1800	56HC	00158XT3E56HC	\$1,011	XF	41	1.00	2.10	86.5	14.540	230/460	1;3;9;42
		1800	143/5TC	00158XT3E145TC	\$1,116	XT	79	1.15	2.05	86.5	13.752	230/460	
		1800	143/5TC	00158XT3H145TC	\$1,024	XT	75	1.15	1.64	86.5	13.752	575	
		1200	182/4TC	00152XT3E182TC	\$1,270	XT	123	1.15	2.32	87.5	15.862	230/460	
2	1.5	3600	56HC	00236XT3E56HC	\$1,125	XF	35	1.00	2.70	85.5	14.040	230/460	1;3;9;42
		3600	143/5TC	00236XT3E145TC	\$1,045	XT	81	1.15	2.69	85.5	13.752	230/460	
		1800	56HC	00218XT3E56HC	\$1,162	XF	48	1.00	2.70	86.5	15.040	230/460	1;3;9;42
		1800	143/5TC	00218XT3E145TC	\$1,148	XT	79	1.15	2.72	86.5	13.752	230/460	
		1800	143/5TC	00218XT3H145TC	\$1,148	XT	78	1.15	2.18	86.5	13.752	575	
		1200	182/4TC	00212XT3E184TC	\$1,323	XT	140	1.15	3.13	88.5	15.862	230/460	39
3	2.2	3600	182/4TC	00336XT3E182TC	\$1,262	XT	122	1.15	3.76	86.5	15.862	230/460	
		1800	182/4TC	00318XT3E182TC	\$1,373	XT	122	1.15	3.91	89.5	15.862	230/460	
		1800	182/4TC	00318XT3H182TC	\$1,373	XT	122	1.15	3.13	89.5	15.862	575	
		1200	213/5TC	00312XT3E213TC	\$1,868	XT	195	1.15	4.41	89.5	19.450	230/460	
5	3.7	3600	182/4TC	00536XT3E184TC	\$1,325	XT	137	1.15	6.10	88.5	15.862	230/460	39
		3600	182/4TC	00536XT3H184TC	\$1,325	XT	137	1.15	4.88	88.5	15.862	575	39
		1800	182/4TC	00518XT3E184TC	\$1,385	XT	139	1.15	6.57	89.5	15.862	230/460	39
		1800	182/4TC	00518XT3H184TC	\$1,385	XT	139	1.15	5.26	89.5	15.862	575	39
		1200	213/5TC	00512XT3E215TC	\$1,975	XT	221	1.15	6.83	89.5	19.450	230/460	
7.5	5.5	3600	213/5TC	00736XT3E213TC	\$1,722	XT	190	1.15	8.57	89.5	19.450	230/460	
		1800	213/5TC	00718XT3E213TC	\$2,080	XT	186	1.15	9.41	91.7	19.450	230/460	
		1800	213/5TC	00718XT3H213TC	\$2,080	XT	185	1.15	7.53	91.7	19.450	575	
10	7.5	3600	213/5TC	01036XT3E215TC	\$1,803	XT	215	1.15	11.6	90.2	19.450	230/460	
		3600	213/5TC	01036XT3H215TC	\$1,803	XT	214	1.15	9.28	90.2	19.450	575	
		1800	L215TC	01018XT3E215TC	\$2,180	XT	215	1.15	12.7	91.7	20.631	230/460	
		1800	L215TC	01018XT3H215TC	\$2,180	XT	221	1.15	10.2	91.7	20.631	575	
15	11	3600	254TC	01536XT3E254TC	\$2,490	XT	346	1.15	17.4	91.0	23.175	230/460	
		1800	254TC	01518XT3E254TC	\$2,976	XT	306	1.15	18.4	92.4	23.175	230/460	
		1800	254TC	01518XT3H254TC	\$2,976	XT	305	1.15	14.7	92.4	23.175	575	
20	15	1800	256TC	02018XT3E256TC	\$3,331	XT	395	1.15	25.0	93.0	24.923	230/460	
		1800	256TC	02018XT3H256TC	\$3,111	XT	394	1.15	20.0	93.0	24.923	575	
25	18.5	1800	284TC	02518XT3E284TC	\$4,262	XT	514	1.15	29.9	93.6	26.407	230/460	
		1800	284TC	02518XT3H284TC	\$4,262	XT	513	1.15	23.9	93.6	26.407	575	

Explosion Proof Motors

continued on next page

Please refer to back cover for description of "NOTES"

For detailed specifications, data sheets, drawings and performance curves visit <http://www.weg.net>

Data subject to change without notice.

Can't find what you are looking for? Call 1-800-ASK-4WEG (275-4934)

A-127

## THREE -PHASE

### C-Face - Foot Mount - *continued*

HP	kW	RPM	Frame	Catalog Number	List Price	Mult. Symbol	Approx. Shipping Weight (lbs)	Service Factor	FL Amps @ High	FL. Eff (%)	"C" Dimension (in)	Voltage (V)	Notes
30	22	1800	286TC	<a href="#">03018XT3E286TC</a>	<b>\$4,672</b>	XT	555	1.15	36.0	93.6	27.905	230/460	
40	30	1800	324TC	<a href="#">04018XT3E324TC</a>	<b>\$5,919</b>	XT	700	1.15	48.2	94.1	29.602	230/460	
50	37	1800	326TC	<a href="#">05018XT3E326TC</a>	<b>\$7,084</b>	XT	740	1.15	60.6	94.5	31.106	230/460	
60	45	1800	364/5TC	<a href="#">06018XT3E364TC</a>	<b>\$11,116</b>	XT	1126	1.15	68.3	95.0	33.701	230/460	
75	55	1800	364/5TC	<a href="#">07518XT3E365TC</a>	<b>\$11,781</b>	XT	1147	1.15	83.2	95.4	33.701	230/460	
100	75	1800	404/5TC	<a href="#">10018XT3E405TC</a>	<b>\$14,993</b>	XT	1335	1.15	113	95.4	38.074	230/460	



### C-Face - Footless

HP	kW	RPM	Frame	Catalog Number	List Price	Mult. Symbol	Approx. Shipping Weight (lbs)	Service Factor	FL Amps @ High	FL. Eff (%)	"C" Dimension (in)	Voltage (V)	Notes
1	0.75	1800	143/5TC	<a href="#">00118XT3ER143TC</a>	<b>\$1,072</b>	XT	71	1.15	1.43	85.5	14.460	230/460	15
1.5	1.1	1800	143/5TC	<a href="#">00158XT3ER145TC</a>	<b>\$1,135</b>	XT	78	1.15	2.05	86.5	14.460	230/460	15
2	1.5	1800	143/5TC	<a href="#">00218XT3ER145TC</a>	<b>\$1,168</b>	XT	78	1.15	2.72	86.5	14.460	230/460	15
3	2.2	1800	182/4TC	<a href="#">00318XT3ER182TC</a>	<b>\$1,397</b>	XT	128	1.15	3.91	89.5	17.082	230/460	15;39
5	3.7	1800	182/4TC	<a href="#">00518XT3ER184TC</a>	<b>\$1,409</b>	XT	142	1.15	6.57	89.5	17.082	230/460	15;39
7.5	5.5	1800	213/5TC	<a href="#">00718XT3ER213TC</a>	<b>\$2,118</b>	XT	186	1.15	9.41	91.7	19.450	230/460	15
10	7.5	1800	L215TC	<a href="#">01018XT3ER215TC</a>	<b>\$2,220</b>	XT	220	1.15	12.7	91.7	23.493	230/460	15
15	11	1800	254TC	<a href="#">01518XT3ER254TC</a>	<b>\$3,029</b>	XT	320	1.15	18.4	92.4	25.025	230/460	15
20	15	1800	256TC	<a href="#">02018XT3ER256TC</a>	<b>\$3,391</b>	XT	403	1.15	25.0	93.0	26.773	230/460	15
25	18.5	1800	284TC	<a href="#">02518XT3ER284TC</a>	<b>\$4,340</b>	XT	523	1.15	29.9	93.6	28.651	230/460	15
30	22	1800	286TC	<a href="#">03018XT3ER286TC</a>	<b>\$4,758</b>	XT	548	1.15	36.0	93.6	30.149	230/460	15
40	30	1800	324TC	<a href="#">04018XT3ER324TC</a>	<b>\$6,027</b>	XT	702	1.15	48.2	94.1	32.240	230/460	15
50	37	1800	326TC	<a href="#">05018XT3ER326TC</a>	<b>\$7,215</b>	XT	739	1.15	60.6	94.5	33.744	230/460	15



### JP - Foot Mount

HP	kW	RPM	Frame	Catalog Number	List Price	Mult. Symbol	Approx. Shipping Weight (lbs)	Service Factor	FL Amps @ High	FL. Eff (%)	"C" Dimension (in)	Voltage (V)	Notes
3	2.2	1800	182/4JP	<a href="#">00318XT3E182JP</a>	<b>\$1,586</b>	XT	119	1.15	3.91	89.5	20.431	230/460	
		1800	182/4JP	<a href="#">00318XT3H182JP</a>	<b>\$1,586</b>	XT	119	1.15	3.13	89.5	20.431	575	
5	3.7	1800	182/4JP	<a href="#">00518XT3E184JP</a>	<b>\$1,609</b>	XT	136	1.15	6.57	89.5	20.306	230/460	39
		1800	182/4JP	<a href="#">00518XT3H184JP</a>	<b>\$1,609</b>	XT	136	1.15	5.26	89.5	20.306	575	39

Please refer to back cover for description of "NOTES"

For detailed specifications, data sheets, drawings and performance curves visit <http://www.weg.net>





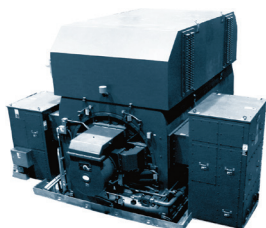
## WEG offers a complete range of products and services for the Oil & Gas segment

WEG / EM has manufactured motors and generators for the petroleum industry for over 100 years. We understand that every application is different and will work with the customer to meet their needs.

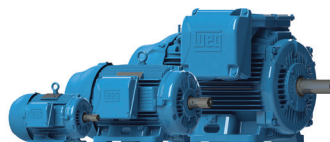
Motors can be designed to API Standards (where applicable), meeting welding, structural, vibration and testing requirements. Motors can be built for operation in classified hazardous areas per NEC or IEC/EN (ATEX) requirements. For synchronous motors, standard brushless excitation is non-sparking for hazardous atmospheres.



Synchronous and Induction Motors  
Up to 150,000 HP



Turbogenerators  
Up to 150 MW



NEMA, Above NEMA and IEC Low Voltage Motors  
Up to 2,000 HP



Low and Medium Voltage Drives and Soft Starters  
Up to 10,000 HP



Please refer to back cover for description of "NOTES"

For detailed specifications, data sheets, drawings and performance curves visit <http://www.weg.net>

Data subject to change without notice.

Can't find what you are looking for? Call 1-800-ASK-4WEG (275-4934)

A-129

# Three-Phase IEC - Flameproof Motors

## ATEX Motors

EXPLOSION PROOF

### TEFC - db - IE3

- 50 Hz and 60 Hz rated (1.00 Service Factor)
- Class F insulation (impregnation resin and magnet wire are class H)
- F3 mounted as standard
- Stainless Steel Nameplate - Laser etched with high contrast background
- Regreasable ball bearings (Frames 225 and up)
- Gasketed conduit box
- Zone 1 and 2, Groups IIA and IIB, class of temperature T4
- Suitable for WYE/Delta Start
- Design N
- Conductive plastic fan (frames 63 up to 315)
- Aluminum fan (frame 355)
- Lip Seal on both endshields
- Thermistors 1 per phase
- IP56
- CT: 2:1
- VFD Suitable



Explosion Proof  
Motors





### ATEX Foot Mount

HP	kW	RPM	Frame	Catalog Number	List Price	Mult. Symbol	Approx. Shipping Weight (lbs)	Service Factor	FL Amps @ High	FL. Eff (%)	"C" Dimension (in)	Voltage (V)	Notes
1	0.75	3000//3600	90S/L	<b>E0.7536XP3WAX90SF3-W</b>	<b>\$1,267</b>	XD	68	1.00	1.69	79.2	15.118	220-240/380-415//440-460	1;8;27,51
		1500//1800	90S/L	<b>E0.7518XP3WAX90SF3-W</b>	<b>\$1,283</b>	XD	91	1.00	1.66	80.4	15.118	220-240/380-415//440-460	1;8;27,51
		1000//1200	90S/L	<b>E0.7512XP3WAX90LF3-W</b>	<b>\$1,199</b>	XD	75	1.00	1.92	76.4	15.118	220-240/380-415//440-460	1;8;27,51
1.5	1.1	3000//3600	90S/L	<b>E00136XP3WAX90SF3-W</b>	<b>\$1,318</b>	XD	68	1.00	2.33	81.0	15.118	220-240/380-415//440-460	1;8;27,51
		1500//1800	90S/L	<b>E00118XP3WAX90LF3-W</b>	<b>\$1,334</b>	XD	75	1.00	2.45	82.1	15.118	220-240/380-415//440-460	1;8;27,51
		1000//1200	90S/L	<b>E00112XP3WAX90LF3-W</b>	<b>\$1,588</b>	XD	75	1.00	2.80	78.1	15.118	220-240/380-415//440-460	1;8;27
2	1.5	3000//3600	90S/L	<b>E00156XP3WAX90SF3-W</b>	<b>\$1,371</b>	XD	60	1.00	3.12	82.5	15.118	220-240/380-415//440-460	1;8;27,51
		1500//1800	100L	<b>E00158XP3WAX100LF3-W</b>	<b>\$1,488</b>	XD	123	1.00	3.16	83.7	17.244	220-240/380-415//440-460	1;8;27,51
		1000//1200	100L	<b>E00152XP3WAX100LF3-W</b>	<b>\$1,757</b>	XD	101	1.00	3.71	80.3	17.244	220-240/380-415//440-460	1;8;27,51
3	2.2	3000//3600	90S/L	<b>E00236XP3WAX90LF3-W</b>	<b>\$1,534</b>	XD	51	1.00	4.56	83.9	15.118	220-240/380-415//440-460	1;8;27,51
		1500//1800	100L	<b>E00218XP3WAX100LF3-W</b>	<b>\$1,783</b>	XD	136	1.00	4.56	84.9	17.244	220-240/380-415//440-460	1;8;27,51
		1000//1200	112M	<b>E00212XP3YAX112MF3-W</b>	<b>\$2,040</b>	XD	126	1.00	6.04	84.4	17.953	380-415/660-690//440-460	1;8;27,51
4	3	3000//3600	100L	<b>E00336XP3WAX100LF3-W</b>	<b>\$1,918</b>	XD	130	1.00	5.85	85.0	17.244	220-240/380-415//440-460	1;8;27,51
		1500//1800	112M	<b>E00318XP3YAX112MF3-W</b>	<b>\$2,137</b>	XD	145	1.00	6.09	87.9	17.953	380-415/660-690//440-460	1;8;27,51
		1000//1200	132S/M	<b>E00312XP3YAX132SF3-W</b>	<b>\$3,224</b>	XD	180	1.00	7.34	83.6	20.630	380-415/660-690//440-460	1;8;27,51
5.5	4	3000//3600	112M	<b>E00436XP3YAX112MF3-W</b>	<b>\$2,414</b>	XD	164	1.00	7.50	86.3	17.953	380-415/660-690//440-460	1;8;27,51
		1500//1800	112M	<b>E00418XP3YAX112MF3-W</b>	<b>\$2,468</b>	XD	147	1.00	8.00	87.0	17.953	380-415/660-690//440-460	1;8;27,51
		1000//1200	132S/M	<b>E00412XP3YAX132MF3-W</b>	<b>\$3,607</b>	XD	202	1.00	9.50	84.9	20.630	380-415/660-690//440-460	1;8;27,51
7.5	5.5	3000//3600	132S/M	<b>E00536XP3YAX132SF3-W</b>	<b>\$3,083</b>	XD	239	1.00	10.6	87.3	20.630	380-415/660-690//440-460	1;8;27,51
		1500//1800	132S/M	<b>E00518XP3YAX132SF3-W</b>	<b>\$3,025</b>	XD	247	1.00	10.4	87.7	20.630	380-415/660-690//440-460	1;8;27,51
		1000//1200	132S/M	<b>E00512XP3YAX132MF3-W</b>	<b>\$3,800</b>	XD	219	1.00	12.9	86.2	20.630	380-415/660-690//440-460	1;8;27,51
10	7.5	3000//3600	132S/M	<b>E00736XP3YAX132SF3-W</b>	<b>\$3,556</b>	XD	252	1.00	13.8	88.7	20.630	380-415/660-690//440-460	1;8;27,51
		1500//1800	132S/M	<b>E00718XP3YAX132MF3-W</b>	<b>\$3,685</b>	XD	224	1.00	13.9	89.4	20.630	380-415/660-690//440-460	1;8;27,51
		1000//1200	160M/L	<b>E00712XP3YAX160MF3-W</b>	<b>\$5,017</b>	XD	350	1.00	14.7	88.5	28.228	380-415/660-690//440-460	1;8;27,51

Explosion Proof Motors

continued on next page

Please refer to back cover for description of "NOTES"

 For detailed specifications, data sheets, drawings and performance curves visit <http://www.weg.net>

Data subject to change without notice.

Can't find what you are looking for? Call 1-800-ASK-4WEG (275-4934)

# Explosion Proof Motors



THREE -PHASE



TEFC – Ex db - IE3

HP	KW	RPM	Frame	Catalog Number	List Price	Mult. Symbol	Approx. Shipping Weight (lbs)	Service Factor	FL Amps @ High	FL. Eff (%)	“C” Dimension (in)	Voltage (V)	Notes
1	0.75	3000//3600	80	E0.7536XT3WAX80F3-W2	\$1,432	XD	51	1	1.65	81.1	12.205	220-240/380-415//440-460	1;8;27
		1500//1800	80	E0.7518XT3WAX80F3-W2	\$1,450	XD	55	1	1.66	82.5	12.205	220-240/380-415//440-460	1;8;27
		1000//1200	90S/L	E0.7512XT3WAX90LF3-W	\$1,355	XD	103	1	1.91	79.1	15.118	220-240/380-415//440-460	1;8;27
1.5	1.1	3000//3600	80	E00136XT3WAX80F3-W2	\$1,489	XD	53	1	2.32	83.4	12.205	220-240/380-415//440-460	1;8;27
		1500//1800	90S/L	E00118XT3WAX90LF3-W	\$1,507	XD	100	1	2.34	84.8	15.118	220-240/380-415//440-460	1;8;27
		1000//1200	100L	E00112XT3WAX100LF3-W	\$1,794	XD	108	1	2.76	81.5	17.244	220-240/380-415//440-460	1;8;27
2	1.5	3000//3600	90S/L	E00156XT3WAX90SF3-W	\$1,549	XD	96	1	3.1	84.2	15.118	220-240/380-415//440-460	1;8;27
		1500//1800	90S/L	E00158XT3WAX90LF3-W	\$1,681	XD	106	1	3.16	85.7	15.118	220-240/380-415//440-460	1;8;27
		1000//1200	100L	E00152XT3WAX100LF3-W	\$1,985	XD	119	1	3.71	82.8	17.244	220-240/380-415//440-460	1;8;27
3	2.2	3000//3600	90S/L	E00236XT3WAX90LF3-W	\$1,733	XD	103	1	4.37	86.5	15.118	220-240/380-415//440-460	1;8;27
		1500//1800	100L	E00218XT3WAX100LF3-W	\$2,015	XD	115	1	4.56	87.2	17.244	220-240/380-415//440-460	1;8;27
		1000//1200	112M	E00212XT3YAX112MF3-W	\$2,305	XD	157	1	5.24	84.7	17.953	380-415/660-690//440-460	1;8;27
4	3	3000//3600	100L	E00336XT3WAX100LF3-W	\$2,167	XD	115	1	5.68	87.4	17.244	220-240/380-415//440-460	1;8;27
		1500//1800	100L	E00318XT3WAX100LF3-W	\$2,415	XD	136	1	6.07	88.1	17.244	220-240/380-415//440-460	1;8;27
		1000//1200	132S/M	E00312XT3YAX132SF3-W	\$3,643	XD	214	1	6.87	85.6	20.63	380-415/660-690//440-460	1;8;27
5.5	4	3000//3600	112M	E00436XT3YAX112MF3-W	\$2,728	XD	146	1	7.58	88.4	17.953	380-415/660-690//440-460	1;8;27
		1500//1800	112M	E00418XT3YAX112MF3-W	\$2,789	XD	157	1	8.35	88.9	17.953	380-415/660-690//440-460	1;8;27
		1000//1200	132S/M	E00412XT3YAX132MF3-W	\$4,076	XD	214	1	9.03	86.8	20.63	380-415/660-690//440-460	1;8;27
7.5	5.5	3000//3600	132S/M	E00536XT3YAX132SF3-W	\$3,484	XD	196	1	10.6	89.2	20.63	380-415/660-690//440-460	1;8;27
		1500//1800	132S/M	E00518XT3YAX132SF3-W	\$3,418	XD	207	1	10.4	89.8	20.63	380-415/660-690//440-460	1;8;27
		1000//1200	132S/M	E00512XT3YAX132MF3-W	\$4,294	XD	254	1	13	88	20.63	380-415/660-690//440-460	1;8;27
10	7.5	3000//3600	132S/M	E00736XT3YAX132SF3-W	\$4,018	XD	214	1	13.9	90.3	20.63	380-415/660-690//440-460	1;8;27
		1500//1800	132S/M	E00718XT3YAX132MF3-W	\$4,164	XD	225	1	13.9	90.4	20.63	380-415/660-690//440-460	1;8;27
		1000//1200	160M/L	E00712XT3YAX160MF3-W	\$5,669	XD	381	1	14.6	89.1	28.228	380-415/660-690//440-460	1;8;27
15	11	3000//3600	160M/L	E01136XT3YAX160MF3-W	\$4,687	XD	405	1	20.2	91.4	28.228	380-415/660-690//440-460	1;8;27
		1500//1800	160M/L	E01118XT3YAX160MF3-W	\$4,691	XD	388	1	20.7	91.4	28.228	380-415/660-690//440-460	1;8;27
		1000//1200	160M/L	E01112XT3YAX160LF3-W	\$5,968	XD	430	1	21.7	90.5	28.228	380-415/660-690//440-460	1;8;27
20	15	3000//3600	160M/L	E01536XT3YAX160MF3-W	\$5,564	XD	422	1	27.7	91.9	28.228	380-415/660-690//440-460	1;8;27
		1500//1800	160M/L	E01518XT3YAX160LF3-W	\$5,207	XD	441	1	28	92.1	28.228	380-415/660-690//440-460	1;8;27
		1000//1200	180M/L	E01512XT3YAX180LF3-W	\$7,273	XD	542	1	27.8	91.6	29.606	380-415/660-690//440-460	1;8;27
25	18.5	3000//3600	160M/L	E01836XT3YAX160LF3-W	\$6,684	XD	441	1	33.6	92.4	28.228	380-415/660-690//440-460	1;8;27
		1500//1800	180M/L	E01818XT3YAX180MF3-W	\$6,847	XD	542	1	34.7	92.6	29.606	380-415/660-690//440-460	1;8;27
		1000//1200	200M/L	E01812XT3YAX200LF3-W	\$9,468	XD	646	1	36.5	91.7	32.323	380-415/660-690//440-460	1;8;27
30	22	3000//3600	180M/L	E02236XT3YAX180MF3-W	\$8,022	XD	503	1	39.3	92.7	29.606	380-415/660-690//440-460	1;8;27
		1500//1800	180M/L	E02218XT3YAX180LF3-W	\$7,578	XD	562	1	40.6	93	29.606	380-415/660-690//440-460	1;8;27
		1000//1200	200M/L	E02212XT3YAX200LF3-W	\$10,720	XD	695	1	42	92.2	32.323	380-415/660-690//440-460	1;8;27
40	30	3000//3600	200M/L	E03036XT3YAX200LF3-W	\$9,971	XD	646	1	53.9	93.3	32.323	380-415/660-690//440-460	1;8;27
		1500//1800	200M/L	E03018XT3YAX200LF3-W	\$9,850	XD	695	1	56.4	93.6	32.323	380-415/660-690//440-460	1;8;27
		1000//1200	225S/M	E03012XT3YAX225SMF3W	\$14,618	XD	1138	1	54.7	93	37.441	380-415/660-690//440-460	1;8;27
50	37	3000//3600	200M/L	E03736XT3YAX200LF3-W	\$12,218	XD	670	1	67	93.7	32.323	380-415/660-690//440-460	1;8;27
		1500//1800	225S/M	E03718XT3YAX225SMF3W	\$12,542	XD	1087	1	66	93.9	37.441	380-415/660-690//440-460	1;8;27
		1000//1200	250S/M	E03712XT3YAX250SMF3W	\$17,149	XD	1363	1	65.5	93.5	39.724	380-415/660-690//440-460	1;8;27
60	45	3000//3600	225S/M	E04536XT3YAX225SMF3W	\$19,498	XD	1105	1	76.4	94.2	36.26	380-415/660-690//440-460	1;8;27
		1500//1800	225S/M	E04518XT3YAX225SMF3W	\$14,516	XD	1153	1	80.9	94.4	37.441	380-415/660-690//440-460	1;8;27
		1000//1200	280S/M	E04512XT3YAX280SMF3W	\$24,345	XD	1910	1	82.2	94	44.705	380-415/660-690//440-460	1;8;27

continued on next page

Please refer to back cover for description of “NOTES”

For detailed specifications, data sheets, drawings and performance curves visit <http://www.weg.net>

Explosion Proof Motors



### TEFC – Ex db - IE3 - continued

HP	KW	RPM	Frame	Catalog Number	List Price	Mult. Symbol	Approx. Shipping Weight (lbs)	Service Factor	FL Amps @ High	FL. Eff (%)	“C” Dimension (in)	Voltage (V)	Notes
75	55	3000//3600	250S/M	E05536XT3YAX250SMF3W	\$24,417	XD	1270	1	95.4	94.4	39.724	380-415/660-690//440-460	1;8;27
		1500//1800	250S/M	E05518XT3YAX250SMF3W	\$21,508	XD	1380	1	97.5	94.6	39.724	380-415/660-690//440-460	1;8;27
		1000//1200	280S/M	E05512XT3YAX280SMF3W	\$30,872	XD	2007	1	100	94.3	44.705	380-415/660-690//440-460	1;8;27
100	75	3000//3600	280S/M	E07536XT3YAX280SMF3W	\$34,180	XD	1910	1	126	94.9	44.705	380-415/660-690//440-460	1;8;27
		1500//1800	280S/M	E07518XT3YAX280SMF3W	\$27,104	XD	2040	1	134	95.2	44.705	380-415/660-690//440-460	1;8;27
		1000//1200	315S/M	E07512XT3YAX315SMF3W	\$35,180	XD	2518	1	137	95	51.654	380-415/660-690//440-460	1;8;27
125	90	3000//3600	280S/M	E09036XT3YAX280SMF3W	\$40,751	XD	2040	1	149	95.2	44.705	380-415/660-690//440-460	1;8;27
		1500//1800	280S/M	E09018XT3YAX280SMF3W	\$37,526	XD	2137	1	158	95.4	44.705	380-415/660-690//440-460	1;8;27
		1000//1200	315S/M	E09012XT3YAX315SMF3W	\$45,340	XD	2743	1	162	95.2	51.654	380-415/660-690//440-460	1;8;27
150	110	3000//3600	315S/M	E11036XT3YAX315SMF3W	\$48,322	XD	2443	1	187	95.4	50.472	380-415/660-690//440-460	1;8;27
		1500//1800	315S/M	E11018XT3YAX315SMF3W	\$42,766	XD	2593	1	189	95.5	51.654	380-415/660-690//440-460	1;8;27
		1000//1200	315S/M	E11012XT3YAX315SMF3W	\$54,984	XD	2893	1	196	95.1	51.654	380-415/660-690//440-460	1;8;27
175	132	3000//3600	315S/M	E13236XT3YAX315SMF3W	\$61,092	XD	2593	1	218	95.6	50.472	380-415/660-690//440-460	1;8;27
		1500//1800	315S/M	E13218XT3YAX315SMF3W	\$51,911	XD	2781	1	226	95.6	51.654	380-415/660-690//440-460	1;8;27
		1000//1200	315S/M	E13212XT3YAX315SMF3W	\$93,051	XD	3118	1	240	95.6	51.654	380-415/660-690//440-460	1;8;27
220	160	3000//3600	315S/M	E16036XT3YAX315SMF3W	\$76,056	XD	2743	1	264	95.8	50.472	380-415/660-690//440-460	1;8;27
		1500//1800	315S/M	E16018XT3YAX315SMF3W	\$56,646	XD	2968	1	273	95.8	51.654	380-415/660-690//440-460	1;8;27
		1000//1200	315L	E16012XT3YAX315LF3-W	\$101,880	XD	3473	1	287	95.8	55.984	380-415/660-690//440-460	1;8;27
270	200	3000//3600	315L	E20036XT3YAX315LF3-W	\$114,087	XD	3058	1	326	95.8	54.803	380-415/660-690//440-460	1;8;27
		1500//1800	315L	E20018XT3YAX315LF3-W	\$91,423	XD	3303	1	333	96.1	55.984	380-415/660-690//440-460	1;8;27
		1000//1200	355M/L	E20012XT3YAX355MLF3W	\$124,447	XD	4567	1	367	95.9	61.358	380-415/660-690//440-460	1;8;27
340	250	3000//3600	315L	E25036XT3YAX315LF3-W	\$125,854	XD	3477	1	398	96	54.803	380-415/660-690//440-460	1;8;27
		1500//1800	315L	E25018XT3YAX315LF3-W	\$107,240	XD	3616	1	424	96.4	55.984	380-415/660-690//440-460	1;8;27
		1000//1200	355M/L	E25012XT3YAX355MLF3W	\$150,638	XD	5263	1	464	96	61.358	380-415/660-690//440-460	1;8;27
430	315	1500//1800	355M/L	E31518XT3YAX355MLF3W	\$122,650	XD	4939	1	543	96	61.358	380-415/660-690//440-460	1;8;27

Explosion Proof Motors

Please refer to back cover for description of “NOTES”

For detailed specifications, data sheets, drawings and performance curves visit <http://www.weg.net>

Data subject to change without notice.

Can't find what you are looking for? Call 1-800-ASK-4WEG (275-4934)

## THREE -PHASE

### HYDRODUTY™ - STAINLESS STEEL

TEFC - Three-Phase - C-Face Foot Mount	A-137
TENV - Three-Phase - C-Face Foot Mount	A-137
TEFC – Three-Phase C-Face Footless	A-138
TENV – Three-Phase C-Face Footless	A-138
C-Face Foot Mount Optimal Match CFW08 Washdown Drive	A-139
C-Face Footless Optimal Match CFW08 Washdown Drive	A-140

### PICKERPLUS™ - WHITE EPOXY

TEFC - Three-Phase - C-Face Foot Mount	A-141
TEFC – Three-Phase C-Face Footless	A-141

### SHARK™ - STAINLESS STEEL

TEFC / TENV - Three-Phase - C-Face Foot Mount	A-142
TEFC / TENV – Three-Phase C-Face Footless	A-143
C-Face Foot Mount Optimal Match CFW08 Washdown Drive	A-144
C-Face Footless Optimal Match CFW08 Washdown Drive	A-145

### HYDROWASH™ - WHITE EPOXY

TEFC / /TENV - Three-Phase - C-Face Foot Mount	A-147
TEFC & TENV – Three-Phase C-Face Footless	A-148
TEFC – Three-Phase C-Face Rigid Base	A-148
C-Face Foot Mount Optimal Match CFW08 Washdown Drive	A-149
C-Face Footless Optimal Match CFW08 Washdown Drive	A-150
C-Face Rigid Base Optimal Match CFW08 Washdown Drive	A-150

### WASHDOWN DUTY VARIABLE FREQUENCY DRIVE

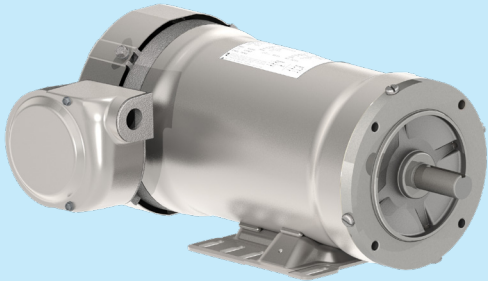
CFW500 - N4X/IP66 w/o Disconnect Switch	A-152
CFW500 - N4X/IP66 w/ Disconnect Switch	A-153
CFW500 Options and Accessories	A-154
CFW500 Technical Data	A-155

## Encapsulated Washdown Motors

THREE -PHASE

Encapsulated winding and a patented sealing system to ensure they will “standup” in the most severe applications.

### HydroDuty™



### The Ultimate Washdown Motor

- This is the ultimate stainless steel waterproof motor. It has been proven to provide 75% more cycles than other brands through extreme environment testing.
- Significantly reduces motor replacement and downtime costs
- Meets NEMA MG1 Part 31 for InverterDuty operation; 10:1 CT; 10:1 VT



#### Performance Specifications

- 1/2 to 5 hp, 860, 1140, 1725 or 3450 RPM
- TENV or TEFC enclosures
- NEMA Frames 56C, 143TC, 145TC and 182TC
- Metric Frame 80-B5 and 100L
- Meets IP69K enclosure protection

### PickerPlus™



### Severe Duty Feather Picker Motor

- Withstands frequent sanitizing with high pressure sprays and caustic fluids.
- Designed to withstand extreme side loading requirements

#### Performance Specifications

- 3 hp, 1725 RPM
- TEFC enclosure
- 145TC NEMA or 100L Metric Frames
- Footless or Base Mounted
- C-Face
- Meets IP69K enclosure protection

Wash Down Duty

## General Purpose Washdown Motors

### Shark™



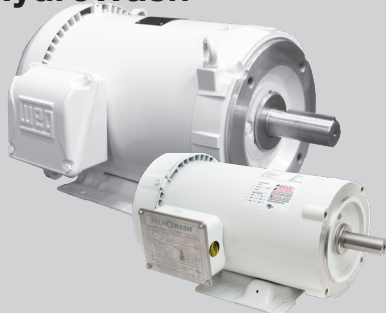
### Stainless Steel Washdown Motor

- For use in food processing, pharmaceutical and other applications requiring extreme cleanliness
- Class F epoxy insulation
- Meets NEMA MG1 Part 31 for Inverter Duty operation; 6:1 CT; 10:1 VT

#### Performance Specifications

- 1-10 hp NEMA Premium
- 1800 and 3600 RPM
- TEFC enclosures
- Frames 143TC to 215TC
- Base Mounted
- Meets IP56 enclosure protection

### HydroWash™



### White Painted Washdown Motor

- Designed for long service life in general purpose washdown applications
- It provides extended service life that can reduce your downtime costs for motor replacement
- Meets NEMA MG1 Part 31 for Inverter Duty operation; 6:1 CT; 10:1 VT

#### Performance Specifications

- 1/2 to 25hp
- TENV or TEFC enclosures
- NEMA Frames 56C - 256TC
- Footless or Base Mounted
- Meets IP56 enclosure protection

Please refer to back cover for description of “NOTES”

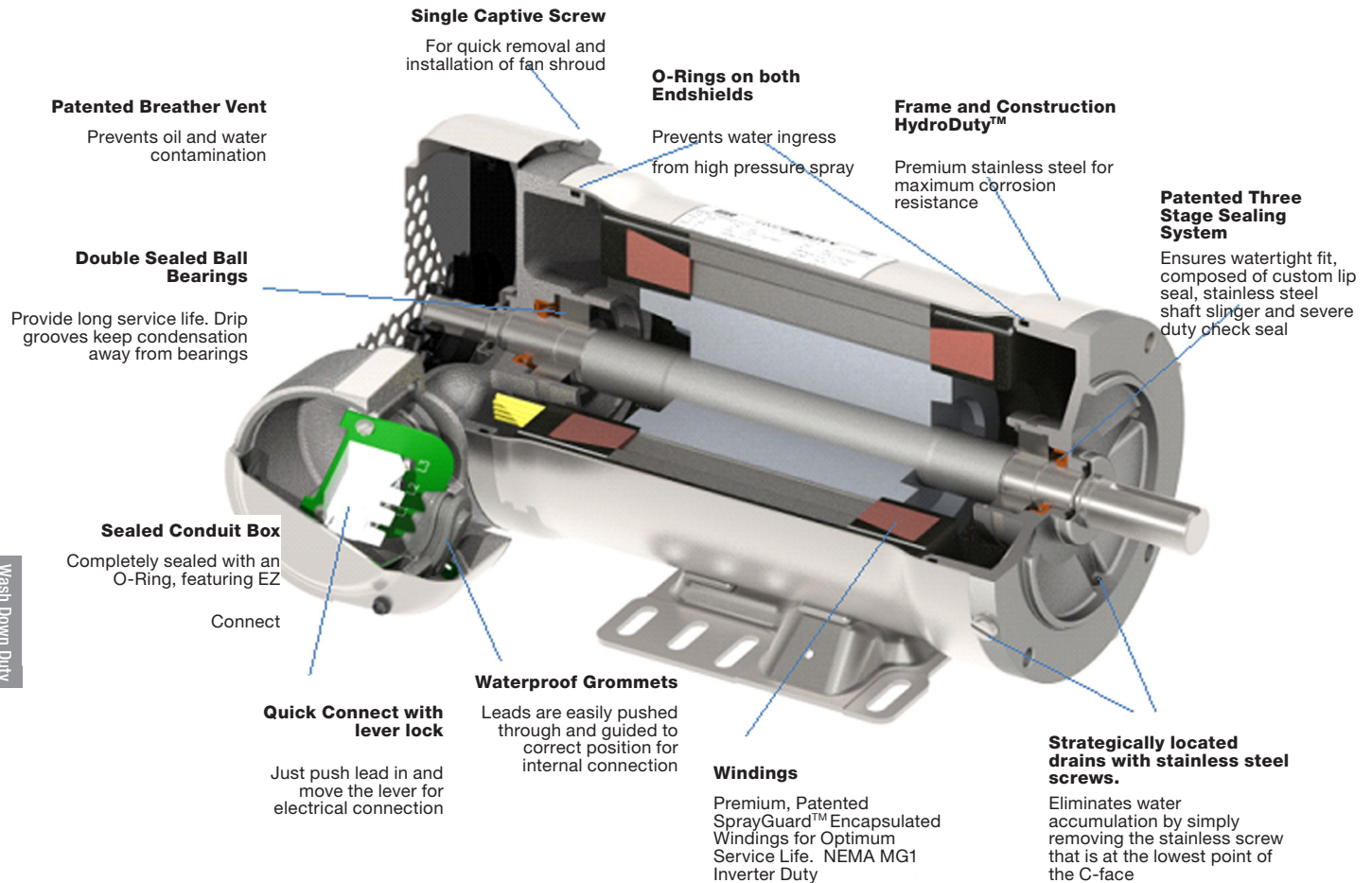
For detailed specifications, data sheets, drawings and performance curves visit <http://www.weg.net>

Data subject to change without notice.

# Wash Down Duty



## HydroDuty with EZ Connect\* Technology



## HydroDuty General features

Applicable for the complete line

- IP69K Certified
- Inverter Rated
- Internal Aegis Shaft Grounding ring available upon inquiry
- Warranty Includes Water Ingress for 12 months after installation.
- If water causes the motor to fail WEG considers this a defect in materials and workmanship.
- NEMA Premium design
- This is the ultimate stainless steel waterproof motor. It has been proven to provide 75% more cycles than other brands through extreme environment testing.
- Significantly reduces motor replacement and downtime costs
- Available from 1/2HP to 5HP, 860, 1140, 1725 or 3450 RPM
- TENV or TEFC enclosures
- NEMA Frames 56C and 143/5TC
- Metric Frame 80-B5 and 100L-B14

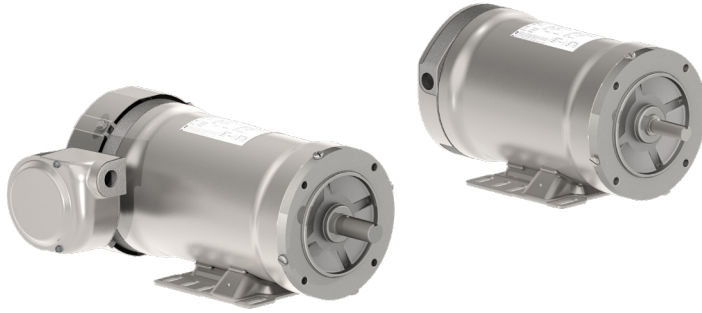
\* Patent Pending



Please refer to back cover for description of "NOTES"

For detailed specifications, data sheets, drawings and performance curves visit <http://www.weg.net>





Find the Optimal Match for your HydroDuty™ Motor on page 139



### HydroDuty™ - Stainless Steel - TEFC - C-Face - Foot Mount

HP	kW	RPM	Frame	EZ Connect Model Number	List Price	Mult. Symbol	Approx. Shipping Weight (lbs)	Service Factor	FL Amps @ High	FL Eff (%)	"C" Dimension Standard/EZ Model	Voltage (V)	Notes
0.5	0.37	1200	56C	1311087133	\$1,694	S3	52	1.15	1.10	75.5	13.99/13.88	230/460	21;41
		1800	56C	1311087121	\$1,544	S3	46	1.15	1.30	81.5	13.24/13.88	230/460	21;41
0.75	0.55	900	56C	1311087159	\$1,794	S3	61	1.00	2.70	70.0	15.42/15.63	230/460	1;21
		3600	56C	1313087156	\$1,601	S3	48	1.15	1.50	77.0	13.24/13.88	460	21;41
1	0.75	1800	56C	1311087115	\$1,619	S3	53	1.15	1.60	85.5	14.49/14.63	230/460	21;41
		1800	143TC	1311087124	\$1,642	S3	53	1.15	1.60	85.5	14.60/14.69	230/460	21;41
		1200	56C	1311087138	\$1,875	S3	62	1.15	1.90	82.5	15.49/15.63	230/460	21;41
		1200	145TC	1311087130	\$1,886	S3	62	1.15	1.90	82.5	15.56/15.69	230/460	21;41
		3600	56C	1313087154	\$1,658	S3	49	1.15	2.30	84.0	13.24/13.88	230/460	21;41
1.5	1.1	1800	56C	1311087110	\$1,683	S3	55	1.15	2.20	84.0	15.49/15.63	230/460	21;41
		1800	145TC	1311087111	\$1,706	S3	55	1.15	2.20	84.0	15.56/15.69	230/460	21;41
		3600	56C	1313087152	\$1,958	S3	54	1.15	2.90	85.5	13.99/14.63	230/460	21;41
2	1.5	3600	145TC	1313087153	\$1,976	S3	54	1.15	2.90	85.5	14.06/14.69	230/460	21;41
		1800	56C	1311087114	\$1,981	S3	62	1.15	2.80	86.5	15.49/15.63	230/460	21;41
		1800	145TC	1311087113	\$2,005	S3	62	1.15	2.80	86.5	15.56/15.69	230/460	21;41
		3	2.2	1800	184TC	H311007111 <sup>1</sup>	\$4,210	S3	113	1.15	4.30	89.5	19.09
5	3.7	1800	184TC	H311007110 <sup>1</sup>	\$4,953	S3	121	1.00	6.70	89.5	19.09	230/460	1;21

Wash Down Duty

### HydroDuty™ - Stainless Steel - TENV - C-Face - Foot Mount

HP	kW	RPM	Frame	EZ Connect Model Number	List Price	Mult. Symbol	Approx. Shipping Weight (lbs)	Service Factor	FL Amps @ High	FL Eff (%)	"C" Dimension Standard/EZ Model	Voltage (V)	Notes
0.5	0.37	3600	56C		\$1,416	S3	46	1.15	0.80	74.0	11.4	230/460	21;41
		1800	56C	1321087115	\$1,439	S3	45	1.00	0.90	78.5	11.40/12.87	230/460	1;21;41
0.75	0.55	3600	56C	1323087110	\$1,460	S3	52	1.15	1.10	77.0	12.15/12.87	230/460	21;41
		1800	56C	1321087113	\$1,483	S3	50	1.00	1.20	81.5	12.15/12.87	230/460	1;21;41
1	1.75	1800	56C	1321087112	\$1,591	S3	58	1.00	1.60	85.5	13.15/13.62	230/460	1;21;41
		1800	56C	1321087139**	\$1,696	S3	58	1.00	1.60	85.5	13.15/13.62	230/460	21;41
		1800	143TC/56C <sup>2</sup>	1321087119	\$1,615	S3	58	1.00	1.60	85.5	13.22/13.68	230/460	1;21;41

\*\*Low temperature ratings

All ratings are 208-230/460; 40° C ambient; Class F insulation

56 and 145 Frame models also rated 230/460, 50HZ, 1.0SF

<sup>1</sup> Regular terminal box

<sup>2</sup> EZ-Connect model is 56C frame.

Please refer to back cover for description of "NOTES"

For detailed specifications, data sheets, drawings and performance curves visit [http:// www.weg.net](http://www.weg.net)

Data subject to change without notice.

# Encapsulated Wash Down Duty



THREE -PHASE

Find the Optimal Match for your HydroDuty™ Motor on page 140



## HydroDuty™ - Stainless Steel - TEFC - C-Face - Footless

HP	kW	RPM	Frame	EZ Connect Model Number	List Price	Mult. Symbol	Approx. Shipping Weight (lbs)	Service Factor	FL Amps @ High	FL Eff (%)	"C" Dimension Standard/EZ Model	Voltage (V)	Notes
0.75	0.55	1725	56C	<a href="#">1311087122</a>	\$1,526	S3	45	1.15	1.30	81.5	13.24/13.88	230/460	1;20;21
1	0.75	3450	56C	<a href="#">1313087161</a>	\$1,581	S3	47	1.15	1.50	77.0	13.24/13.88	230/460	20;21;41
		1725	56C	<a href="#">1311087123</a>	\$1,601	S3	52	1.15	1.60	85.5	14.49/14.63	230/460	1;20;21
		1725	143TC	<a href="#">1311087125</a>	\$1,626	S3	52	1.15	1.60	85.5	14.56/14.69	230/460	1;20;21
		1725	80-B5	<a href="#">1311087152</a>	\$1,879	S3	58	1.15	1.60	85.5	15.34/15.47	230/460	20;21;41
1.5	1.1	1725	56C	<a href="#">1311087117</a>	\$1,663	S3	54	1.15	2.20	86.5	15.49/15.63	230/460	1;20;21
		1725	145TC	<a href="#">1311087118</a>	\$1,688	S3	54	1.15	2.20	86.5	15.56/15.69	230/460	1;20;21
2	1.5	1725	56C	<a href="#">1311087119</a>	\$1,962	S3	61	1.15	2.80	86.5	15.49/15.63	230/460	1;20;21
		1725	145TC	<a href="#">1311087120</a>	\$1,985	S3	61	1.15	2.80	86.5	15.56	230/460	1;20;21
3	2.2	1725	184TC	<a href="#">H311007113</a> <sup>(1)</sup>	\$4,155	S3	112	1.15	4.30	89.5	19.09	230/460	1;20;21
5	3.7	1725	184TC	<a href="#">H311007112</a> <sup>(1)</sup>	\$4,924	S3	120	1.00	6.70	89.5	19.09	230/460	1;20;21

Wash Down Duty

## HydroDuty™ - Stainless Steel - TENV - C-Face - Footless

HP	kW	RPM	Frame	EZ Connect Model Number	List Price	Mult. Symbol	Approx. Shipping Weight (lbs)	Service Factor	FL Amps @ High	FL Eff (%)	"C" Dimension Standard/EZ Model	Voltage (V)	Notes
0.5	0.37	1725	56C	<a href="#">1321087121</a>	\$1,421	S3	44	1.00	0.85	81.5	11.40/12.8	230/460	1;20;21;41
0.75	0.55	3450	56C	<a href="#">1323087114</a>	\$1,443	S3	51	1.15	1.10	77.0	12.15/12.8	230/460	1;20;21
		1725	56C	<a href="#">1321087117</a>	\$1,465	S3	49	1.00	1.20	81.5	12.15/12.8	230/460	1;20;21;41
1	0.75	1725	56C	<a href="#">1321087125</a>	\$1,572	S3	57	1.00	1.60	85.5	13.15/13.62	230/460	1;20;21;41
		1725	56C	<a href="#">1321087140</a> **	\$1,676	S3	58	1.00	1.60	85.5	13.15/13.62	230/460	1;20;21;41
		1725	143TC	<a href="#">1321087124</a>	\$1,595	S3	57	1.00	1.60	85.5	13.22/13.68	230/460	1;20;21;41
		1725	100L	<a href="#">1321087158</a>	\$1,891	S3	52	1.00	1.60	85.5	13.44/13.91	230/460	1;20;21

\*\*Low temperature ratings

All ratings are 208-230/460; 40° C ambient; Class F insulation

56 and 145 Frame models also rated 230/460, 50HZ, 1.0SF

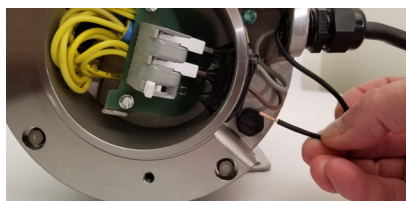
<sup>1</sup> Regular terminal box



1. Insert the incoming power leads thru the waterproof Seal.

2. Grommets automatically align the leads to the correct slot.

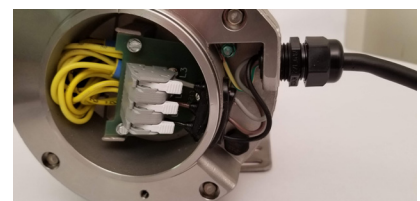
3. Push the levers closed.



1



2



3

Please refer to back cover for description of "NOTES"

For detailed specifications, data sheets, drawings and performance curves visit [http:// www.weg.net](http://www.weg.net)

**Optimal Match**



## HydroDuty™ Motor and CFW500 Washdown Drive Quick Selection Guide

### C-Face Foot Mount

HP	RPM	Volts	EZ Connect Model	Motor List Price	FL Amps @ high	230V Drive	Drive List Price	460V Drive	Drive List Price
0.5	3600	230/460		\$1,416	0.80	<a href="#">CFW500A02P6B2DB66G2</a>	\$800	<a href="#">CFW500A01P0T4DB66G2</a>	\$950
	1800	230/460	<a href="#">1321087115</a>	\$1,439	0.90	<a href="#">CFW500A02P6B2DB66G2</a>	\$800	<a href="#">CFW500A01P0T4DB66G2</a>	\$950
0.75	1200	230/460	<a href="#">1311087133</a>	\$1,694	1.10	<a href="#">CFW500A02P6B2DB66G2</a>	\$800	<a href="#">CFW500A01P6T4DB66G2</a>	\$975
	3600	230/460	<a href="#">1323087110</a>	\$1,460	1.10	<a href="#">CFW500A02P6B2DB66G2</a>	\$800	<a href="#">CFW500A01P6T4DB66G2</a>	\$975
	1800	230/460	<a href="#">1321087113</a>	\$1,483	1.20	<a href="#">CFW500A02P6B2DB66G2</a>	\$800	<a href="#">CFW500A01P6T4DB66G2</a>	\$975
	1800	230/460	<a href="#">1311087121</a>	\$1,544	1.30	<a href="#">CFW500A02P6B2DB66G2</a>	\$800	<a href="#">CFW500A01P6T4DB66G2</a>	\$975
1	900	460	<a href="#">1311087159</a>	\$1,794	2.70			<a href="#">CFW500A04P3T4DB66G2</a>	\$1,175
	3600	230/460	<a href="#">1313087156</a>	\$1,601	1.50	<a href="#">CFW500A04P3B2DB66G2</a>	\$850	<a href="#">CFW500A01P6T4DB66G2</a>	\$975
	1800	230/460	<a href="#">1321087112</a>	\$1,591	1.60	<a href="#">CFW500A04P3B2DB66G2</a>	\$850	<a href="#">CFW500A01P6T4DB66G2</a>	\$975
	1800	230/460	<a href="#">1311087115</a>	\$1,619	1.60	<a href="#">CFW500A04P3B2DB66G2</a>	\$850	<a href="#">CFW500A01P6T4DB66G2</a>	\$975
	1800	230/460	<a href="#">1321087139</a>	\$1,696	1.60	<a href="#">CFW500A04P3B2DB66G2</a>	\$850	<a href="#">CFW500A01P6T4DB66G2</a>	\$975
	1800	230/460	<a href="#">1321087119</a>	\$1,615	1.60	<a href="#">CFW500A04P3B2DB66G2</a>	\$850	<a href="#">CFW500A01P6T4DB66G2</a>	\$975
	1800	230/460	<a href="#">1311087124</a>	\$1,642	1.60	<a href="#">CFW500A04P3B2DB66G2</a>	\$850	<a href="#">CFW500A01P6T4DB66G2</a>	\$975
	1200	230/460	<a href="#">1311087138</a>	\$1,875	1.90	<a href="#">CFW500A04P3B2DB66G2</a>	\$850	<a href="#">CFW500A02P6T4DB66G2</a>	\$990
1.5	1200	230/460	<a href="#">1311087130</a>	\$1,886	1.90	<a href="#">CFW500A04P3B2DB66G2</a>	\$850	<a href="#">CFW500A02P6T4DB66G2</a>	\$990
	3600	230/460	<a href="#">1313087154</a>	\$1,658	2.30	<a href="#">CFW500A07P3B2DB66G2</a>	\$1,015	<a href="#">CFW500A02P6T4DB66G2</a>	\$990
	1800	230/460	<a href="#">1311087110</a>	\$1,683	2.20	<a href="#">CFW500A07P3B2DB66G2</a>	\$1,015	<a href="#">CFW500A02P6T4DB66G2</a>	\$990
2	1800	230/460	<a href="#">1311087111</a>	\$1,706	2.20	<a href="#">CFW500A07P3B2DB66G2</a>	\$1,015	<a href="#">CFW500A02P6T4DB66G2</a>	\$990
	3600	230/460	<a href="#">1313087152</a>	\$1,958	2.90	<a href="#">CFW500A04P3T4DB66G2</a>	\$1,175	<a href="#">CFW500A04P3T4DB66G2</a>	\$1,175
	3600	230/460	<a href="#">1313087153</a>	\$1,976	2.90	<a href="#">CFW500A07P3B2DB66G2</a>	\$1,015	<a href="#">CFW500A04P3T4DB66G2</a>	\$1,175
	1800	230/460	<a href="#">1311087114</a>	\$1,981	2.80	<a href="#">CFW500A07P3B2DB66G2</a>	\$1,015	<a href="#">CFW500A04P3T4DB66G2</a>	\$1,175
3	1800	230/460	<a href="#">1311087113</a>	\$2,005	2.80	<a href="#">CFW500A07P3B2DB66G2</a>	\$1,015	<a href="#">CFW500A04P3T4DB66G2</a>	\$1,175
	1800	230/460	<a href="#">H311007111</a>	\$4,210	4.30	<a href="#">CFW500A10P0B2DB66G2</a>	\$1,095	<a href="#">CFW500A04P3T4DB66G2</a>	\$1,175
5	1800	230/460	<a href="#">H311007110</a>	\$4,953	6.70	<a href="#">CFW500A16P0T2DB66G2</a>	\$1,350	<a href="#">CFW500A10P0T4DB66G2</a>	\$1,650

Wash Down Duty

Please refer to back cover for description of "NOTES"

For detailed specifications, data sheets, drawings and performance curves visit [http:// www.weg.net](http://www.weg.net)

Data subject to change without notice.

**Optimal Match**



## HydroDuty™ Motor and CFW500 Washdown Drive Quick Selection Guide

### C-Face Footless

HP	RPM	Volts	EZ Connect Model	Motor List Price	460V Amps	230V Drive	Drive List Price	460V Drive	Drive List Price
0.50	1800	230/460	<a href="#">1321087121</a>	\$1,421	0.85	<a href="#">CFW500A02P6B2DB66G2</a>	\$800	<a href="#">CFW500A01P0T4DB66G2</a>	\$950
0.75	3600	230/460	<a href="#">1323087114</a>	\$1,443	1.10	<a href="#">CFW500A02P6B2DB66G2</a>	\$800	<a href="#">CFW500A01P6T4DB66G2</a>	\$975
	1800	230/460	<a href="#">1321087117</a>	\$1,465	1.20	<a href="#">CFW500A02P6B2DB66G2</a>	\$800	<a href="#">CFW500A01P6T4DB66G2</a>	\$975
		230/460	<a href="#">1311087122</a>	\$1,526	1.30	<a href="#">CFW500A02P6B2DB66G2</a>	\$800	<a href="#">CFW500A01P6T4DB66G2</a>	\$975
	1	3600	230/460	<a href="#">1313087161</a>	\$1,581	1.50	<a href="#">CFW500A04P3B2DB66G2</a>	\$850	<a href="#">CFW500A01P6T4DB66G2</a>
230/460			<a href="#">1321087125</a>	\$1,572	1.60	<a href="#">CFW500A04P3B2DB66G2</a>	\$850	<a href="#">CFW500A01P6T4DB66G2</a>	\$975
1800		230/460	<a href="#">1321087140</a>	\$1,676	1.60	<a href="#">CFW500A04P3B2DB66G2</a>	\$850	<a href="#">CFW500A01P6T4DB66G2</a>	\$975
		230/460	<a href="#">1311087123</a>	\$1,601	1.60	<a href="#">CFW500A04P3B2DB66G2</a>	\$850	<a href="#">CFW500A01P6T4DB66G2</a>	\$975
		230/460	<a href="#">1321087124</a>	\$1,595	1.60	<a href="#">CFW500A04P3B2DB66G2</a>	\$850	<a href="#">CFW500A01P6T4DB66G2</a>	\$975
		230/460	<a href="#">1311087125</a>	\$1,626	1.60	<a href="#">CFW500A04P3B2DB66G2</a>	\$850	<a href="#">CFW500A01P6T4DB66G2</a>	\$975
		230/460	<a href="#">1321087158</a>	\$1,891	1.60	<a href="#">CFW500A04P3B2DB66G2</a>	\$850	<a href="#">CFW500A01P6T4DB66G2</a>	\$975
		230/460	<a href="#">1311087152</a>	\$1,879	1.60	<a href="#">CFW500A04P3B2DB66G2</a>	\$850	<a href="#">CFW500A01P6T4DB66G2</a>	\$975
1.5	1800	230/460	<a href="#">1311087117</a>	\$1,663	2.20	<a href="#">CFW500A07P3B2DB66G2</a>	\$1,015	<a href="#">CFW500A02P6T4DB66G2</a>	\$990
		230/460	<a href="#">1311087118</a>	\$1,688	2.20	<a href="#">CFW500A07P3B2DB66G2</a>	\$1,015	<a href="#">CFW500A02P6T4DB66G2</a>	\$990
2	1800	230/460	<a href="#">1311087119</a>	\$1,962	2.80	<a href="#">CFW500A07P3B2DB66G2</a>	\$1,015	<a href="#">CFW500A04P3T4DB66G2</a>	\$1,175
		230/460	<a href="#">1311087120</a>	\$1,985	2.80	<a href="#">CFW500A07P3B2DB66G2</a>	\$1,015	<a href="#">CFW500A04P3T4DB66G2</a>	\$1,175
3	1800	230/460	<a href="#">H311007113</a>	\$4155	4.30	<a href="#">CFW500A10P0B2DB66G2</a>	\$1,095	<a href="#">CFW500A04P3T4DB66G2</a>	\$1,175
5	1800	230/460	<a href="#">H311007112</a>	\$4294	6.70	<a href="#">CFW500A16P0T2DB66G2</a>	\$1,350	<a href="#">CFW500A10P0T4DB66G2</a>	\$1,650

Wash Down Duty

Please refer to back cover for description of "NOTES"

For detailed specifications, data sheets, drawings and performance curves visit <http://www.weg.net>



# Encapsulated Wash Down Duty

THREE -PHASE

## PickerPlus™ - White Epoxy - TEFC - C-Face - Foot Mount

HP	kW	RPM	Frame	Catalog Number	List Price	Mult. Symbol	Approx. Shipping Weight (lbs)	Service Factor	FL Amps @ High	FL. Eff (%)	"C" Dimension (in)	Voltage (V)	Notes
3	2.2	1800	145TC	<a href="#">1311017192</a>	<b>\$1,736</b>	S3	68	1.00	4.40	81.5	15.560	230/460	1;9
3	2.2	1800	100L	<a href="#">1311017196</a>	<b>\$1,852</b>	S3	68	1.00	4.40	81.5	15.780	230/460	1;9



## PickerPlus™ - White Epoxy - TEFC - C-Face - Footless

HP	kW	RPM	Frame	Catalog Number	List Price	Mult. Symbol	Approx. Shipping Weight (lbs)	Service Factor	FL Amps @ High	FL. Eff (%)	"C" Dimension (in)	Voltage (V)	Notes
3	2.2	1800	100L-B14	<a href="#">1311017195</a>	<b>\$1,803</b>	S3	66	1.00	4.40	81.5	15.780	230/460	1;9;20
3	2.2	1800	100L-B5	<a href="#">1311017191</a>	<b>\$1,820</b>	S3	71	1.00	4.40	81.5	16.180	230/460	1;9;20

Wash Down Duty

Please refer to back cover for description of "NOTES"

For detailed specifications, data sheets, drawings and performance curves visit [http:// www.weg.net](http://www.weg.net)

Data subject to change without notice.

Can't find what you are looking for? Call **1-800-ASK-4WEG** (275-4934) **A-141**

THREE-PHASE

Find the Optimal Match for your Shark™ Motor on page 144



## Shark™ - Stainless Steel - TEFC & TENV - C-Face - Foot Mount

HP	kW	RPM	Frame	Catalog Number	List Price	Mult. Symbol	Approx. Shipping Weight (lbs)	Enclosure	Service Factor	FL Amps @ High	FL Eff (%)	"C" Dimension (in)	Voltage (V)	Notes
0.33	0.25	1800	56C	<a href="#">.3318EP3ESS56C</a>	\$675	S1	29	TENV	1.15	0.53	79.8	11.250	230/460	17;21
0.50	0.37	3600	56C	<a href="#">.5036EP3ESS56C</a>	\$618	S1	30	TENV	1.15	0.65	78.3	11.250	230/460	17;21
		1800	56C	<a href="#">.5018EP3ESS56C</a>	\$696	S1	33	TENV	1.15	0.73	81.2	11.250	230/460	17;21
		1200	56C	<a href="#">.5012EP3ESS56C</a>	\$760	S1	34	TENV	1.15	0.86	79.1	11.670	230/460	17;21
0.75	0.55	3600	56C	<a href="#">.7536EP3ESS56C</a>	\$681	S1	30	TENV	1.15	1.02	81.9	11.250	230/460	17;21
		1800	56C	<a href="#">.7518EP3ESS56C</a>	\$798	S1	34	TENV	1.15	1.06	81.3	11.250	230/460	17;21
		1200	56HC	<a href="#">.7512EP3ESS56C</a>	\$868	S1	41	TENV	1.15	1.22	82.9	11.670	230/460	17;21
1	0.75	3600	56HC	<a href="#">00136ET3ESS56C</a>	\$836	S1	38	TEFC	1.15	1.45	77.0	14.000	230/460	21
		3600	56HC	<a href="#">00136NT3ESS56C</a>	\$912	S1	39	TENV	1.15	1.45	77.0	11.940	230/460	17;21
		1800	56HC	<a href="#">00118ET3ESS56C</a>	\$994	S1	38	TEFC	1.15	1.46	85.5	14.000	230/460	21
		1800	56HC	<a href="#">00118NT3ESS56C</a>	\$834	S1	38	TENV	1.15	1.46	85.5	11.940	230/460	17;21
		1800	143TC	<a href="#">00118ET3ESS143TC</a>	\$1,042	S1	38	TEFC	1.15	1.46	85.5	13.400	230/460	21
		1800	143TC	<a href="#">00118NT3ESS143TC</a>	\$1,026	S1	38	TENV	1.15	1.46	85.5	11.210	230/460	17;21
1.5	1.1	3600	56HC	<a href="#">00156ET3ESS56C</a>	\$1,023	S1	41	TEFC	1.15	1.99	84.0	14.000	230/460	21
		1800	56HC	<a href="#">00158ET3ESS56C</a>	\$1,041	S1	44	TEFC	1.15	2.06	86.5	14.000	230/460	21
		1800	145TC	<a href="#">00158ET3ESS145TC</a>	\$1,082	S1	43	TEFC	1.15	2.06	86.5	14.200	230/460	21
2	1.5	3600	56HC	<a href="#">00236ET3ESS56C</a>	\$1,146	S1	47	TEFC	1.15	2.55	85.5	14.000	230/460	21
		3600	145TC	<a href="#">00236ET3ESS145TC</a>	\$1,290	S1	45	TEFC	1.15	2.55	85.5	14.200	230/460	21
		1800	56HC	<a href="#">00218ET3ESS56C</a>	\$1,164	S1	51	TEFC	1.15	2.71	86.5	14.000	230/460	21
		1800	145TC	<a href="#">00218ET3ESS145TC</a>	\$1,257	S1	52	TEFC	1.15	2.78	86.5	13.600	230/460	21
3	2.2	3600	182TC	<a href="#">00336ET3ESS182TC</a>	\$1,989	S1	100	TEFC	1.15	3.73	86.5	17.300	230/460	21
		1800	182TC	<a href="#">00318ET3ESS182TC</a>	\$1,908	S1	113	TEFC	1.15	3.92	89.5	17.100	230/460	21
5	3.7	3600	184TC	<a href="#">00536ET3ESS184TC</a>	\$2,298	S1	111	TEFC	1.15	6.01	88.5	17.900	230/460	21
		1800	184TC	<a href="#">00518ET3ESS184TC</a>	\$2,230	S1	120	TEFC	1.15	6.54	89.5	17.900	230/460	21
7.5	5.5	3600	213TC	<a href="#">00736ET3ESS213TC</a>	\$3,377	S1	158	TEFC	1.15	8.82	89.5	20.500	230/460	21
		1800	213TC	<a href="#">00718ET3ESS213TC</a>	\$3,228	S1	173	TEFC	1.15	9.12	91.7	20.500	230/460	21
10	7.5	3600	215TC	<a href="#">01036ET3ESS215TC</a>	\$3,625	S1	177	TEFC	1.15	11.5	90.2	22.000	230/460	21
		1800	215TC	<a href="#">01018ET3ESS215TC</a>	\$3,499	S1	208	TEFC	1.15	12.2	91.7	22.000	230/460	21

Wash Down Duty

Please refer to back cover for description of "NOTES"

For detailed specifications, data sheets, drawings and performance curves visit <http://www.weg.net>



**Find the Optimal Match for your Shark™ Motor on page 145**



### Shark™ - Stainless Steel - TEFC & TENV - C-Face - Footless

HP	kW	RPM	Frame	Catalog Number	List Price	Mult. Symbol	Enclosure	Approx. Shipping Weight (lbs)	Service Factor	FL Amps @ High	FL. Eff (%)	"C" Dimension (in)	Voltage (V)	Notes
0.33	0.25	1800	56C	.3318EP3ESS56CFL	\$667	S1	TENV	28	1.15	0.53	79.8	11.250	230/460	17;20;21
0.50	0.37	3600	56C	.5036EP3ESS56CFL	\$611	S1	TENV	29	1.15	0.65	78.3	11.250	230/460	17;20;21
		1800	56C	.5018EP3ESS56CFL	\$689	S1	TENV	32	1.15	0.73	81.2	11.250	230/460	17;20;21
		1200	56C	.5012EP3ESS56CFL	\$752	S1	TENV	33	1.15	0.86	79.1	11.670	230/460	17;20;21
0.75	0.55	3600	56C	.7536EP3ESS56CFL	\$674	S1	TENV	29	1.15	1.02	81.9	11.250	230/460	17;20;21
		1800	56C	.7518EP3ESS56CFL	\$787	S1	TENV	33	1.15	1.06	81.3	11.250	230/460	17;20;21
		1200	56C	.7512EP3ESS56CFL	\$862	S1	TENV	40	1.15	1.22	82.9	11.670	230/460	17;20;21
1	0.75	3600	56HC	00136ET3ESS56CFL	\$827	S1	TEFC	37	1.15	1.45	77.0	14.000	230/460	20;21
		3600	56HC	00136NT3ESS56CFL	\$898	S1	TENV	38	1.15	1.45	77.0	11.940	230/460	17;20;21
		1800	56HC	00118ET3ESS56CFL	\$981	S1	TEFC	37	1.15	1.46	85.5	14.000	230/460	20;21
		1800	56HC	00118NT3ESS56CFL	\$824	S1	TENV	38	1.15	1.46	85.5	11.940	230/460	17;20;21
		1800	143TC	00118ET3ESS143TCFL	\$1,028	S1	TEFC	38	1.15	1.46	85.5	13.400	230/460	20;21
		1800	143TC	00118NT3ESS143TCFL	\$1013.65	S1	TENV	38	1.15	1.46	85.5	11.210	230/460	17;20;21
1.5	1.1	3600	56HC	00156ET3ESS56CFL	\$1,017	S1	TEFC	40	1.15	1.99	84.0	14.000	230/460	20;21
		3600	143TC	00156ET3ESS143TCFL	\$1,117	S1	TEFC	41	1.15	1.99	84.0	13.400	230/460	20;21
		1800	56HC	00158ET3ESS56CFL	\$1,034	S1	TEFC	43	1.15	2.06	86.5	14.000	230/460	20;21
		1800	145TC	00158ET3ESS145TCFL	\$1,066	S1	TEFC	43	1.15	2.06	86.5	14.200	230/460	20;21
2	1.5	3600	56HC	00236ET3ESS56CFL	\$1,139	S1	TEFC	45	1.15	2.55	85.5	14.000	230/460	20;21
		3600	145TC	00236ET3ESS145TCFL	\$1,275	S1	TEFC	45	1.15	2.55	85.5	14.200	230/460	20;21
		1800	56HC	00218ET3ESS56CFL	\$1,154	S1	TEFC	49	1.15	2.71	86.5	14.000	230/460	20;21
		1800	145TC	00218ET3ESS145TCFL	\$1,198	S1	TEFC	52	1.15	2.78	86.5	13.600	230/460	20;21
3	2.2	3600	145TC	00336ET3ESS145TCFL	\$1,858	S1	TEFC	59	1.15	3.78	86.5	16.200	230/460	20;21
		3600	182TC	00336ET3ESS182TCFL	\$1,974	S1	TEFC	98	1.15	3.73	86.5	17.300	230/460	20;21
		1800	182TC	00318ET3ESS182TCFL	\$1,892	S1	TEFC	111	1.15	3.92	89.5	17.100	230/460	20;21
5	3.7	3600	184TC	00536ET3ESS184TCFL	\$2,282	S1	TEFC	109	1.15	6.01	88.5	17.900	230/460	20;21
		1800	184TC	00518ET3ESS184TCFL	\$2,215	S1	TEFC	118	1.15	6.54	89.5	17.900	230/460	20;21
7.5	5.5	3600	213TC	00736ET3ESS213TCFL	\$3,356	S1	TEFC	155	1.15	8.82	89.5	20.500	230/460	20;21
		1800	213TC	00718ET3ESS213TCFL	\$3,207	S1	TEFC	170	1.15	9.12	91.7	20.500	230/460	20;21
10	7.5	3600	215TC	01036ET3ESS215TCFL	\$3,604	S1	TEFC	174	1.15	11.5	90.2	22.000	230/460	20;21
		1800	215TC	01018ET3ESS215TCFL	\$3,477	S1	TEFC	205	1.15	12.2	91.7	22.000	230/460	20;21

Wash Down Duty

Please refer to back cover for description of "NOTES"

For detailed specifications, data sheets, drawings and performance curves visit [http:// www.weg.net](http://www.weg.net)

Data subject to change without notice.

THREE -PHASE

## Shark™ Motor and CFW500 Washdown Drive

### Quick Selection Guide



### Shark™ - Stainless Steel - TEFC & TENV - C-Face - Foot Mount

Wash Down Duty

HP	RPM	Volts	Model	Motor List Price	Enclosure	460V Amps	SF Amps @230V	230V Drive	Drive List Price	SF Amps @460V	460V Drive	Drive List Price
0.33	1800	230/460	.3318EP3ESS56C	\$675	TENV	0.53	1.22	CFW500A01P6B2DB66G2	\$775	0.61	CFW500A01P0T4DB66G2	\$950
	3600	230/460	.5036EP3ESS56C	\$618	TENV	0.65	1.50	CFW500A01P6B2DB66G2	\$775	0.75	CFW500A01P0T4DB66G2	\$950
0.5	1800	230/460	.5018EP3ESS56C	\$696	TENV	0.73	1.68	CFW500A02P6B2DB66G2	\$800	0.84	CFW500A01P6T4DB66G2	\$975
	1200	230/460	.5012EP3ESS56C	\$760	TENV	0.86	1.98	CFW500A02P6B2DB66G2	\$800	0.99	CFW500A01P6T4DB66G2	\$975
0.75	3600	230/460	.7536EP3ESS56C	\$681	TENV	1.02	2.35	CFW500A02P6B2DB66G2	\$800	1.17	CFW500A01P6T4DB66G2	\$975
	1800	230/460	.7518EP3ESS56C	\$798	TENV	1.06	2.44	CFW500A02P6B2DB66G2	\$800	1.22	CFW500A01P6T4DB66G2	\$975
1	1200	230/460	.7512EP3ESS56C	\$868	TENV	1.22	2.80	CFW500A04P3B2DB66G2	\$850	1.4	CFW500A01P6T4DB66G2	\$975
	3600	230/460	00136ET3ESS56C	\$836	TEFC	1.45	3.34	CFW500A04P3B2DB66G2	\$850	1.67	CFW500A02P6T4DB66G2	\$990
1	3600	230/460	00136NT3ESS56C	\$912	TENV	1.45	3.34	CFW500A04P3B2DB66G2	\$850	1.67	CFW500A02P6T4DB66G2	\$990
	1800	230/460	00118ET3ESS56C	\$994	TEFC	1.46	3.36	CFW500A04P3B2DB66G2	\$850	1.68	CFW500A02P6T4DB66G2	\$990
1	1800	230/460	00118NT3ESS56C	\$834	TENV	1.46	3.36	CFW500A04P3B2DB66G2	\$850	1.68	CFW500A02P6T4DB66G2	\$990
	1800	230/460	00118ET3ESS143TC	\$1,042	TEFC	1.46	3.36	CFW500A04P3B2DB66G2	\$850	1.68	CFW500A02P6T4DB66G2	\$990
1.5	1800	230/460	00118NT3ESS143TC	\$1,026	TENV	1.46	3.36	CFW500A04P3B2DB66G2	\$850	1.68	CFW500A02P6T4DB66G2	\$990
	3600	230/460	00156ET3ESS56C	\$1,023	TEFC	1.99	4.58	CFW500A07P3B2DB66G2	\$1,015	2.29	CFW500A02P6T4DB66G2	\$990
1.5	1800	230/460	00158ET3ESS56C	\$1,041	TEFC	2.06	4.74	CFW500A07P3B2DB66G2	\$1,015	2.37	CFW500A02P6T4DB66G2	\$990
	1800	230/460	00158ET3ESS145TC	\$1,082	TEFC	2.06	4.74	CFW500A07P3B2DB66G2	\$1,015	2.37	CFW500A02P6T4DB66G2	\$990
2	3600	230/460	00236ET3ESS56C	\$1,146	TEFC	2.55	5.87	CFW500A07P3B2DB66G2	\$1,015	2.93	CFW500A04P3T4DB66G2	\$1,175
	3600	230/460	00236ET3ESS145TC	\$1,290	TEFC	2.55	5.87	CFW500A07P3B2DB66G2	\$1,015	2.93	CFW500A04P3T4DB66G2	\$1,175
2	1800	230/460	00218ET3ESS56C	\$1,164	TEFC	2.71	6.23	CFW500A07P3B2DB66G2	\$1,015	3.12	CFW500A04P3T4DB66G2	\$1,175
	1800	230/460	00218ET3ESS145TC	\$1,257	TEFC	2.78	6.39	CFW500A07P3B2DB66G2	\$1,015	3.2	CFW500A04P3T4DB66G2	\$1,175
3	3600	230/460	00336ET3ESS182TC	\$1,989	TEFC	3.73	8.58	CFW500A10P0B2DB66G2	\$1,095	4.29	CFW500A04P3T4DB66G2	\$1,175
	1800	230/460	00318ET3ESS182TC	\$1,908	TEFC	3.92	9.02	CFW500A10P0B2DB66G2	\$1,095	4.51	CFW500A06P5T4DB66G2	\$1,400
5	3600	230/460	00536ET3ESS184TC	\$2,298	TEFC	6.01	13.82	CFW500A16P0T2DB66G2	\$1,350	6.91	CFW500A10P0T4DB66G2	\$1,650
	1800	230/460	00518ET3ESS184TC	\$2,230	TEFC	6.54	15.04	CFW500A16P0T2DB66G2	\$1,350	7.52	CFW500A10P0T4DB66G2	\$1,650
7.5	3600	230/460	00736ET3ESS213TC	\$3,377	TEFC	8.82	20.29	CFW500B24P0T2DB66G2	\$1,950	10.14	CFW500B14P0T4DB66G2	\$2,050
	1800	230/460	00718ET3ESS213TC	\$3,228	TEFC	9.12	20.98	CFW500B24P0T2DB66G2	\$1,950	10.49	CFW500B14P0T4DB66G2	\$2,050
10	3600	230/460	01036ET3ESS215TC	\$3,625	TEFC	11.50	26.45	CFW500B28P0T2DB66G2	\$2,275	13.23	CFW500B14P0T4DB66G2	\$2,050
	1800	230/460	01018ET3ESS215TC	\$3,499	TEFC	12.20	28.06	CFW500B28P0T2DB66G2	\$2,275	14.03	CFW500B14P0T4DB66G2	\$2,050

Please refer to back cover for description of "NOTES"

For detailed specifications, data sheets, drawings and performance curves visit <http://www.weg.net>



### Shark™ Motor and CFW500 Washdown Drive Quick Selection Guide

**Optimal Match**



#### Shark™ - Stainless Steel - TEFC & TENV - C-Face - Footless

HP	RPM	Volts	Model	Enclosure	Motor List Price	460V Amps	SF Amps @230V	230V Drive	List Price	SF Amps @460V	460V Drive	List Price
0.33	1800	230/460	.3318EP3ESS56CFL	TENV	\$667	0.53	1.22	CFW500A01P6B2DB66G2	\$775	0.61	CFW500A01P0T4DB66G2	\$950
	3600	230/460	.5036EP3ESS56CFL	TENV	\$611	0.65	1.50	CFW500A01P6B2DB66G2	\$775	0.75	CFW500A01P0T4DB66G2	\$950
0.5	1800	230/460	.5018EP3ESS56CFL	TENV	\$689	0.73	1.68	CFW500A02P6B2DB66G2	\$800	0.84	CFW500A01P0T4DB66G2	\$950
	1200	230/460	.5012EP3ESS56CFL	TENV	\$752	0.86	1.98	CFW500A02P6B2DB66G2	\$800	0.99	CFW500A01P0T4DB66G2	\$950
0.75	3600	230/460	.7536EP3ESS56CFL	TENV	\$674	1.02	2.35	CFW500A02P6B2DB66G2	\$800	1.17	CFW500A01P6T4DB66G2	\$975
	1800	230/460	.7518EP3ESS56CFL	TENV	\$787	1.06	2.44	CFW500A02P6B2DB66G2	\$800	1.22	CFW500A01P6T4DB66G2	\$975
	1200	230/460	.7512EP3ESS56CFL	TENV	\$862	1.22	2.80	CFW500A04P3B2DB66G2	\$850	1.4	CFW500A01P6T4DB66G2	\$975
1	3600	230/460	00136ET3ESS56CFL	TEFC	\$827	1.45	3.34	CFW500A04P3B2DB66G2	\$850	1.67	CFW500A02P6T4DB66G2	\$990
	3600	230/460	00136NT3ESS56CFL	TENV	\$898	1.45	3.34	CFW500A04P3B2DB66G2	\$850	1.67	CFW500A02P6T4DB66G2	\$990
	1800	230/460	00118ET3ESS56CFL	TEFC	\$981	1.46	3.36	CFW500A04P3B2DB66G2	\$850	1.68	CFW500A02P6T4DB66G2	\$990
	1800	230/460	00118NT3ESS56CFL	TENV	\$824	1.46	3.36	CFW500A04P3B2DB66G2	\$850	1.68	CFW500A02P6T4DB66G2	\$990
	1800	230/460	00118ET3ESS143TCFL	TEFC	\$1,028	1.46	3.36	CFW500A04P3B2DB66G2	\$850	1.68	CFW500A02P6T4DB66G2	\$990
	1800	230/460	00118NT3ESS143TCFL	TENV	\$1,014	1.46	3.36	CFW500A04P3B2DB66G2	\$850	1.68	CFW500A02P6T4DB66G2	\$990
1.5	3600	230/460	00156ET3ESS56CFL	TEFC	\$1,017	1.99	4.58	CFW500A07P3B2DB66G2	\$1,015	2.29	CFW500A02P6T4DB66G2	\$990
	3600	230/460	00156NT3ESS143TCFL	TEFC	\$1,117	1.99	4.58	CFW500A07P3B2DB66G2	\$1,015	2.29	CFW500A02P6T4DB66G2	\$990
	1800	230/460	00158ET3ESS56CFL	TEFC	\$1,034	2.06	4.74	CFW500A07P3B2DB66G2	\$1,015	2.37	CFW500A02P6T4DB66G2	\$990
	1800	230/460	00158NT3ESS145TCFL	TEFC	\$1,066	2.06	4.74	CFW500A07P3B2DB66G2	\$1,015	2.37	CFW500A02P6T4DB66G2	\$990
2	3600	230/460	00236ET3ESS56CFL	TEFC	\$1,139	2.55	5.87	CFW500A07P3B2DB66G2	\$1,015	2.93	CFW500A04P3T4DB66G2	\$1,175
	3600	230/460	00236NT3ESS145TCFL	TEFC	\$1,275	2.55	5.87	CFW500A07P3B2DB66G2	\$1,015	2.93	CFW500A04P3T4DB66G2	\$1,175
	1800	230/460	00218ET3ESS56CFL	TEFC	\$1,154	2.71	6.23	CFW500A07P3B2DB66G2	\$1,015	3.12	CFW500A04P3T4DB66G2	\$1,175
	1800	230/460	00218NT3ESS145TCFL	TEFC	\$1,198	2.78	6.39	CFW500A07P3B2DB66G2	\$1,015	3.2	CFW500A04P3T4DB66G2	\$1,175
3	3600	230/460	00336ET3ESS145TCFL	TEFC	\$1,858	3.78	8.69	CFW500A10P0B2DB66G2	\$1,095	4.35	CFW500A04P3T4DB66G2	\$1,175
	3600	230/460	00336NT3ESS182TCFL	TEFC	\$1,974	3.73	8.58	CFW500A10P0B2DB66G2	\$1,095	4.29	CFW500A04P3T4DB66G2	\$1,175
	1800	230/460	00318ET3ESS182TCFL	TEFC	\$1,892	3.92	9.02	CFW500A10P0B2DB66G2	\$1,095	4.51	CFW500A06P5T4DB66G2	\$1,400
5	3600	230/460	00536ET3ESS184TCFL	TEFC	\$2,282	6.01	13.82	CFW500A16P0T2DB66G2	\$1,350	6.91	CFW500A10P0T4DB66G2	\$1,650
	1800	230/460	00518ET3ESS184TCFL	TEFC	\$2,215	6.54	15.04	CFW500A16P0T2DB66G2	\$1,350	7.52	CFW500A10P0T4DB66G2	\$1,650
7.5	3600	230/460	00736ET3ESS213TCFL	TEFC	\$3,356	8.82	20.29	CFW500B24P0T2DB66G2	\$1,950	10.14	CFW500B14P0T4DB66G2	\$2,050
	1800	230/460	00718ET3ESS213TCFL	TEFC	\$3,207	9.12	20.98	CFW500B24P0T2DB66G2	\$1,950	10.49	CFW500B14P0T4DB66G2	\$2,050
10	3600	230/460	01036ET3ESS215TCFL	TEFC	\$3,604	11.50	26.45	CFW500B28P0T2DB66G2	\$2,275	13.23	CFW500B14P0T4DB66G2	\$2,050
	1800	230/460	01018ET3ESS215TCFL	TEFC	\$3,477	12.20	28.06	CFW500B28P0T2DB66G2	\$2,275	14.03	CFW500B14P0T4DB66G2	\$2,050

Wash Down Duty

Please refer to back cover for description of "NOTES"

For detailed specifications, data sheets, drawings and performance curves visit [http:// www.weg.net](http://www.weg.net)

Data subject to change without notice.

THREE -PHASE

## HydroWash™

The Washdown line was designed to meet the requirements of industries where there is a constant need for hygiene and cleanliness of the environment through high pressure water jets and/or chemical products. Washdown motors are applied in food, beverage and pharmaceutical industries.



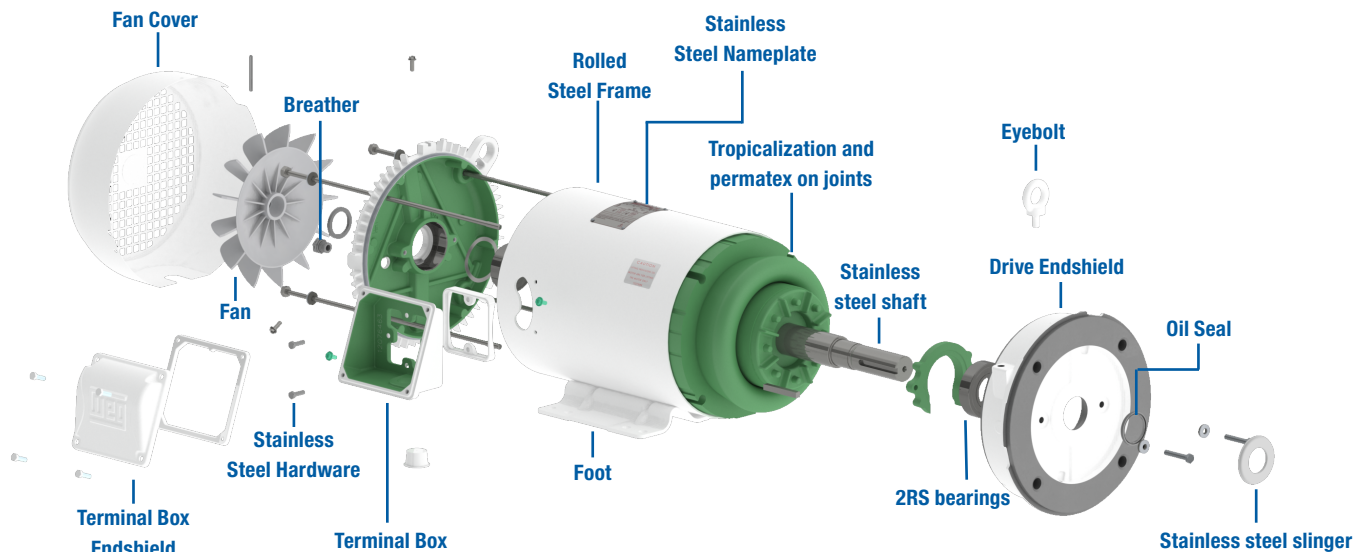
### Standard Features

- Output: 1/2 up to 25 HP
- Frames: 56 up to 254/6T
- Number of poles: 2 up to 6
- Certification CSA/UL
- Efficiency: NEMA Standard and NEMA Premium
- Voltage:
  - Frames 56 and 145T - 208-230/460 V with 9 leads
  - Frames 182/4T and 213/5T - 208-230/460//190-220/380-415 V with 9 leads
  - Frames 254/6T - 208-230/460//190-220/380-415 V with 12 leads
- Service factor: 1.15
- Mounting: F-1
- Insulation class "F" ( $\Delta T$  80 K)
- Degree of protection: IP56
- Shaft material: Stainless Steel (AISI 304)
- Bearing type: Shielded (2RS)
- Permatex on joints for frames 182/4T and above
- Viton O'Ring on joints for frames 56 and 145T
- Color: Porcelain White - Munsell N 9.5
- Coating NOBAC® for frames 180 and above
- Internal painting: Tropicalized (Epoxy for frames 180 and above)
- Breather on non drive endshield
- Vibration: Grade A
- Drive end bearing seal:
  - Frames 56 and 145T - Oil seal stainless steel spring + slinger (stainless steel)
  - Frames from 182/4T and above - Oil seal stainless steel spring + slinger (stainless steel)
- Non drive end bearing seal:
  - Frames 56 and 145T - Oil seal stainless steel spring
  - Frames from 182/4T and above - Oil seal stainless steel
- Type of grease: Mobil Polyrex EM
- Fan material: plastic
- Aluminium flanges
- Terminal box material: Aluminium
- External screws and key: Stainless Steel

### Options:

- Other mountings
- Voltage: 575 V with 6 leads
- Space heaters
- Thermal protection
- Cable glands
- Threaded center hole (shaft)
- Vibration: Grade B
- SGR shaft grounding ring (Inverter use)
- Shaft material: Stainless Steel (AISI 316)

Wash Down Duty



Please refer to back cover for description of "NOTES"

For detailed specifications, data sheets, drawings and performance curves visit <http://www.weg.net>



Find the Optimal Match for your HydroWash™ Motor on page 149



### C-Face - Foot Mount

HP	RPM	Frame	Catalog Number	List Price	Multi.	Enclosure	HZ	SF	FL Amps @ high	C Dim	kVA Code	Appr. Ship. Wt (lbs)
0.5	1725	56C	<a href="#">.5018NT3EHW56C</a>	\$644	S2	TENV	60	1.15	0.80	10.230	L	27
0.75	1725	56C	<a href="#">.7518NT3EHW56C</a>	\$720	S2	TENV	60	1.15	1.20	10.990	M	33
1	1725	56C	<a href="#">00118NT3EHW56C</a>	\$843	S2	TENV	60	1.15	1.50	11.980	K	40
	1725	145TC	<a href="#">00118NT3EHW143TC</a>	\$859	S2	TENV	60	1.15	1.50	12.040	K	40
1.5	1725	56C	<a href="#">00158ET3EHW56C</a>	\$860	S2	TEFC	60	1.15	2.20	14.460	K	42
	1725	145TC	<a href="#">00158ET3EHW145TC</a>	\$880	S2	TEFC	60	1.15	2.20	14.570	K	42
2	1725	56C	<a href="#">00218ET3EHW56C</a>	\$1,035	S2	TEFC	60	1.15	2.80	14.550	K	49
	1725	145TC	<a href="#">00218ET3EHW145TC</a>	\$1,060	S2	TEFC	60	1.15	2.80	14.550	K	49
	1200	182/4TC	<a href="#">00212ET3EHW184TC-S</a>	\$1,410	S2	TEFC	60	1.15	3.0	17.126	K	91
3	3600	182/4TC	<a href="#">00336ET3EHW182TC-S</a>	\$1,409	S2	TEFC	60	1.15	3.7	16.339	K	77
	1800	182/4TC	<a href="#">00318ET3EHW182TC-S</a>	\$1,421	S2	TEFC	60	1.15	3.8	17.913	K	94
	1200	213/5TC	<a href="#">00312ET3EHW213TC-S</a>	\$1,850	S2	TEFC	60	1.15	4.2	19.291	H	144
5	3600	182/4TC	<a href="#">00536ET3EHW184TC-S</a>	\$1,700	S2	TEFC	60	1.15	5.9	17.913	J	92
	1800	182/4TC	<a href="#">00518ET3EHW184TC-S</a>	\$1,728	S2	TEFC	60	1.15	6.5	17.913	J	88
	1200	213/5TC	<a href="#">00512ET3EHW215TC-S</a>	\$2,185	S2	TEFC	60	1.15	6.7	20.079	H	156
7.5	3600	182/4TC	<a href="#">00736ET3EHW184TC-S</a>	\$2,082	S2	TEFC	60	1.15	8.6	17.126	H	96
	3600	213/5TC	<a href="#">00736ET3EHW213TC-S</a>	\$2,214	S2	TEFC	60	1.15	8.7	20.079	H	145
	1800	213/5TC	<a href="#">00718ET3EHW213TC-S</a>	\$2,230	S2	TEFC	60	1.15	9.1	18.898	H	136
	1200	254/6TC	<a href="#">00712ET3EHW254TC-S</a>	\$3,795	S2	TEFC	60	1.15	10.0	22.559	G	239
10	3600	213/5TC	<a href="#">01036ET3EHW215TC-S</a>	\$2,650	S2	TEFC	60	1.15	11.5	21.654	H	175
	1800	213/5TC	<a href="#">01018ET3EHW215TC-S</a>	\$2,568	S2	TEFC	60	1.15	12.2	19.291	H	147
	1200	254/6TC	<a href="#">01012ET3EHW256TC-S</a>	\$4,345	S2	TEFC	60	1.15	13.8	23.346	G	269
15	3600	213/5TC	<a href="#">01536ET3EHW215TC-S</a>	\$3,250	S2	TEFC	60	1.15	17.0	21.654	J	171
	3600	254/6TC	<a href="#">01536ET3EHW254TC-S</a>	\$4,859	S2	TEFC	60	1.15	17.4	22.559	G	210
	1800	254/6TC	<a href="#">01518ET3EHW254TC-S</a>	\$4,826	S2	TEFC	60	1.15	18.2	22.559	G	242
20	3600	254/6TC	<a href="#">02036ET3EHW256TC-S</a>	\$5,772	S2	TEFC	60	1.15	22.7	23.346	G	248
	1800	254/6TC	<a href="#">02018ET3EHW256TC-S</a>	\$5,830	S2	TEFC	60	1.15	24.7	23.346	H	271
25	3600	254/6TC	<a href="#">02536ET3EHW256TC-S</a>	\$6,887	S2	TEFC	60	1.15	28.5	23.346	J	258

Wash Down Duty

Please refer to back cover for description of "NOTES"

For detailed specifications, data sheets, drawings and performance curves visit [http:// www.weg.net](http://www.weg.net)

Data subject to change without notice.

# General Purpose Wash Down Duty



THREE -PHASE



Find the Optimal Match for your HydroWash™ Motor on page 150

## C-Face - Foot Mount and Footless

HP	RPM	Frame	Catalog Number	List Price	Multi.	Enclosure	HZ	SF	FL Amps @ high	C Dim	kVA Code	Appr. Ship. Wt (lbs)
0.5	1725	56C	.5018NT3EHW56CFL	\$625	S2	TENV	60	1.15	0.80	10.230	L	27
0.75	1725	56C	.7518NT3EHW56CFL	\$699	S2	TENV	60	1.15	1.11	10.990	L	33
1	1725	56C	00118NT3EHW56CFL	\$815	S2	TENV	60	1.15	1.50	11.980	K	40
	1725	145TC	00118NT3EHW145TC	\$830	S2	TENV	60	1.15	1.50	12.040	K	40
1.5	1725	56C	00158ET3EHW56CFL	\$830	S2	TEFC	60	1.15	2.20	14.460	K	42
	1725	145TC	00158ET3EHW145TC	\$850	S2	TEFC	60	1.15	2.20	14.530	K	42
2	1725	56C	00218ET3EHW56CFL	\$995	S2	TEFC	60	1.15	2.80	14.550	K	49
	1725	145TC	00218ET3EHW145TC	\$1,020	S2	TEFC	60	1.15	2.80	14.550	K	49
3	1800	182/4TC	00318ET3EHW182TC-S	\$1,259	S2	TEFC	60	1.15	3.81	17.913	K	94
5	3600	182/4TC	00536ET3EHW182TC-S	\$1,600	S2	TEFC	60	1.15	5.90	17.913	J	92
	1800	182/4TC	00518ET3EHW184TC-S	\$1,592	S2	TEFC	60	1.15	6.49	17.913	J	87
7.5	3600	213/5TC	00736ET3EHW213TC-S	\$2,010	S2	TEFC	60	1.15	8.67	20.079	H	151
	1800	213/5TC	00718ET3EHW213TC-S	\$2,011	S2	TEFC	60	1.15	9.07	18.898	H	137
10	3600	213/5TC	01036ET3EHW215TC-S	\$2,442	S2	TEFC	60	1.15	11.50	21.654	H	180
	1800	213/5TC	01018ET3EHW215TC-S	\$2,394	S2	TEFC	60	1.15	12.20	19.291	H	147
15	3600	213/5TC	01536ET3EHW215TC-S	\$3,052	S2	TEFC	60	1.15	17.00	21.654	J	176

Wash Down Duty



## Rigid Base

HP	RPM	Frame	Catalog Number	List Price	Multi.	Enclosure	HZ	SF	FL Amps @ high	C Dim	kVA Code	Appr. Ship. Wt (lbs)
3	3600	182/4T	00336ET3EHW182T-S	\$1,340	S2	TEFC	60	1.15	3.7	16.339	K	67
	1800	182/4T	00318ET3EHW182T-S	\$1,315	S2	TEFC	60	1.15	3.8	17.913	K	89
5	3600	182/4T	00536ET3EHW184T-S	\$1,628	S2	TEFC	60	1.15	5.9	17.913	J	87
	1800	182/4T	00518ET3EHW184T-S	\$1,640	S2	TEFC	60	1.15	6.5	17.913	J	82
7.5	3600	182/4T	00736ET3EHW184T-S	\$1,978	S2	TEFC	60	1.15	8.6	17.126	H	91
	3600	213/5T	00736ET3EHW213T-S	\$2,040	S2	TEFC	60	1.15	8.7	20.079	H	145
	1800	213/5T	00718ET3EHW213T-S	\$2,046	S2	TEFC	60	1.15	9.1	18.898	H	133
10	1800	213/5T	01018ET3EHW215T-S	\$2,350	S2	TEFC	60	1.15	12.2	19.291	H	140
15	1800	254/6T	01518ET3EHW254T-S	\$4,602	S2	TEFC	60	1.15	18.2	22.559	G	236
20	1800	254/6T	02018ET3EHW256T-S	\$5,571	S2	TEFC	60	1.15	24.7	23.346	H	266

Please refer to back cover for description of "NOTES"

For detailed specifications, data sheets, drawings and performance curves visit <http://www.weg.net>

## HydroWash™ Motor and CFW500 Washdown Drive Quick Selection Guide

**Optimal Match**



### HydroWash™ - White Epoxy - TEFC - C-Face - Foot Mount

HP	RPM	Volts	Catalog Number	Motor List Price	FL Amps @ high	230V Drive	Drive List Price	460V Drive	Drive List Price
0.5	1800	230/460	.5018NT3EHW56CZ*	\$644	0.80	CFW500A01P6B2DB66G2	\$775	CFW500A01P0T4DB66G2	\$950
0.75	1800	230/460	.7518NT3EHW56CZ*	\$720	1.20	CFW500A02P6B2DB66G2	\$800	CFW500A01P6T4DB66G2	\$975
1	1800	230/460	00118NT3EHW56CZ*	\$843	1.50	CFW500A04P3B2DB66G2	\$850	CFW500A01P6T4DB66G2	\$975
		230/460	00118NT3EHW143TCZ*	\$859	1.50	CFW500A04P3B2DB66G2	\$850	CFW500A01P6T4DB66G2	\$975
1.5	1800	230/460	00158ET3EHW56CZ	\$860	2.20	CFW500A07P3B2DB66G2	\$1,015	CFW500A02P6T4DB66G2	\$990
		230/460	00158ET3EHW145TCZ	\$880	2.20	CFW500A07P3B2DB66G2	\$1,015	CFW500A02P6T4DB66G2	\$990
2	1800	230/460	00218ET3EHW56CZ	\$1,035	2.80	CFW500A07P3B2DB66G2	\$1,015	CFW500A04P3T4DB66G2	\$1,175
		230/460	00218ET3EHW145TCZ	\$1,060	2.80	CFW500A07P3B2DB66G2	\$1,015	CFW500A04P3T4DB66G2	\$1,175
2	1200	230/460	00212ET3EHW184TC-S	\$1,410	3.0	CFW500A07P3B2DB66G2	\$1,015	CFW500A04P3T4DB66G2	\$1,175
3	3600	230/460	00336ET3EHW182TC-S	\$1,409	3.7	CFW500A10P0B2DB66G2	\$1,095	CFW500A04P3T4DB66G2	\$1,175
3	1800	230/460	00318ET3EHW182TC-S	\$1,380	3.8	CFW500A10P0B2DB66G2	\$1,095	CFW500A04P3T4DB66G2	\$1,175
3	1200	230/460	00312ET3EHW213TC-S	\$1,850	4.2	CFW500A10P0B2DB66G2	\$1,095	CFW500A04P3T4DB66G2	\$1,175
5	3600	230/460	00536ET3EHW184TC-S	\$1,700	5.9	CFW500A16P0T2DB66G2	\$1,350	CFW500A06P5T4DB66G2	\$1,400
5	1800	230/460	00518ET3EHW184TC-S	\$1,728	6.5	CFW500A16P0T2DB66G2	\$1,350	CFW500A06P5T4DB66G2	\$1,400
5	1200	230/460	00512ET3EHW215TC-S	\$2,185	6.7	CFW500A16P0T2DB66G2	\$1,350	CFW500A10P0T4DB66G2	\$1,650
7.5	3600	230/460	00736ET3EHW184TC-S	\$2,082	8.6	CFW500B24P0T2DB66G2	\$1,950	CFW500A10P0T4DB66G2	\$1,650
7.5	3600	230/460	00736ET3EHW213TC-S	\$2,214	8.7	CFW500B24P0T2DB66G2	\$1,950	CFW500A10P0T4DB66G2	\$1,650
7.5	1800	230/460	00718ET3EHW213TC-S	\$2,230	9.1	CFW500B24P0T2DB66G2	\$1,950	CFW500A10P0T4DB66G2	\$1,650
7.5	1200	230/460	00712ET3EHW254TC-S	\$3,795	10.0	CFW500B24P0T2DB66G2	\$1,950	CFW500A10P0T4DB66G2	\$1,650
10	3600	230/460	01036ET3EHW215TC-S	\$2,650	11.5	CFW500B24P0T2DB66G2	\$1,950	CFW500B14P0T4DB66G2	\$2,050
10	1800	230/460	01018ET3EHW215TC-S	\$2,568	12.2	CFW500B28P0T2DB66G2	\$2,275	CFW500B14P0T4DB66G2	\$2,050
10	1200	230/460	01012ET3EHW256TC-S	\$4,345	13.8	CFW500B28P0T2DB66G2	\$2,275	CFW500B14P0T4DB66G2	\$2,050
15	3600	230/460	01536ET3EHW215TC-S	\$3,250	17.0			CFW500B24P0T4DB66G2	\$3,025
15	3600	230/460	01536ET3EHW254TC-S	\$4,859	17.4			CFW500B24P0T4DB66G2	\$3,025
15	1800	230/460	01518ET3EHW254TC-S	\$4,826	18.2			CFW500B24P0T4DB66G2	\$3,025
20	3600	230/460	02036ET3EHW256TC-S	\$5,772	22.7			CFW500B24P0T4DB66G2	\$3,025
20	1800	230/460	02018ET3EHW256TC-S	\$5,830	24.7			CFW500B31P0T4DB66G2	\$3,650
25	3600	230/460	02536ET3EHW256TC-S	\$6,887	28.5			CFW500B31P0T4DB66G2	\$3,650

\* TENV

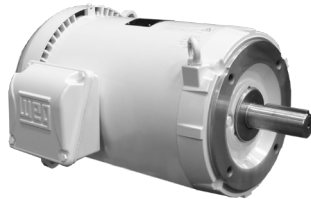
continued on next page

Wash Down Duty

# General Purpose Wash Down Duty



THREE -PHASE



**Optimal Match**

## HydroWash™ - White Epoxy - TEFC - C-Face - Foot Mount and Footless

HP	RPM	Volts	Catalog Number	Motor List Price	460V Amps	230V Drive	Drive List Price	460V Drive	Drive List Price
0.5	1800	230/460	.5018NT3EHW56CZFL*	\$510	0.80	CFW500A01P6B2DB66G2	\$775	CFW500A01P0T4DB66G2	\$950
0.75	1800	230/460	.7518NT3EHW56CZFL*	\$553	1.20	CFW500A02P6B2DB66G2	\$800	CFW500A01P6T4DB66G2	\$975
1	1800	230/460	00118NT3EHW56CZFL*	\$599	1.50	CFW500A04P3B2DB66G2	\$850	CFW500A01P6T4DB66G2	\$975
		230/460	00118NT3EHWR143TCZ*	\$628	1.50	CFW500A04P3B2DB66G2	\$850	CFW500A01P6T4DB66G2	\$975
1.5	1800	230/460	00158ET3EHW56CZFL	\$830	2.20	CFW500A07P3B2DB66G2	\$1,015	CFW500A02P6T4DB66G2	\$990
		230/460	00158ET3EHWR145TCZ	\$850	2.20	CFW500A07P3B2DB66G2	\$1,015	CFW500A02P6T4DB66G2	\$990
2	1800	230/460	00218ET3EHW56CZFL	\$995	2.80	CFW500A07P3B2DB66G2	\$1,015	CFW500A04P3T4DB66G2	\$1,175
		230/460	00218ET3EHWR145TCZ	\$1,020	2.80	CFW500A07P3B2DB66G2	\$1,015	CFW500A04P3T4DB66G2	\$1,175
3	1800	230/460	00318ET3EHWR182TC-S	\$1,259	3.81	CFW500A10P0B2DB66G2	\$1,095	CFW500A04P3T4DB66G2	\$1,175
5	3600	230/460	00536ET3EHWR182TC-S	\$1,600	5.90	CFW500A16P0T2DB66G2	\$1,350	CFW500A06P5T4DB66G2	\$1,400
5	1800	230/460	00518ET3EHWR184TC-S	\$1,592	6.49	CFW500A16P0T2DB66G2	\$1,350	CFW500A06P5T4DB66G2	\$1,400
7.5	3600	230/460	00736ET3EHWR213TC-S	\$2,010	8.67	CFW500B24P0T2DB66G2	\$1,950	CFW500A10P0T4DB66G2	\$1,650
7.5	1800	230/460	00718ET3EHWR213TC-S	\$2,011	9.07	CFW500B24P0T2DB66G2	\$1,950	CFW500A10P0T4DB66G2	\$1,650
10	3600	230/460	01036ET3EHWR215TC-S	\$2,442	11.50	CFW500B24P0T2DB66G2	\$1,950	CFW500B14P0T4DB66G2	\$2,050
10	1800	230/460	01018ET3EHWR215TC-S	\$2,394	12.20	CFW500B28P0T2DB66G2	\$2,275	CFW500B14P0T4DB66G2	\$2,050
15	3600	230/460	01536ET3EHWR215TC-S	\$3,052	17.00			CFW500B24P0T4DB66G2	\$3,025

\*TENV

Wash Down Duty



## HydroWash™ - White Epoxy - TEFC - Rigid Base

HP	RPM	Volts	Catalog Number	Motor List Price	460V Amps	230V Drive	Drive List Price	460V Drive	Drive List Price
3	3600	230/460	00336ET3EHW182T-S	\$1,340	3.7	CFW500A10P0B2DB66G2	\$1,095	CFW500A04P3T4DB66G2	\$1,175
3	1800	230/460	00318ET3EHW182T-S	\$1,315	3.8	CFW500A10P0B2DB66G2	\$1,095	CFW500A04P3T4DB66G2	\$1,175
5	3600	230/460	00536ET3EHW184T-S	\$1,628	5.9	CFW500A16P0T2DB66G2	\$1,350	CFW500A06P5T4DB66G2	\$1,400
5	1800	230/460	00518ET3EHW184T-S	\$1,640	6.5	CFW500A16P0T2DB66G2	\$1,350	CFW500A06P5T4DB66G2	\$1,400
7.5	3600	230/460	00736ET3EHW184T-S	\$1,978	8.6	CFW500B24P0T2DB66G2	\$1,950	CFW500A10P0T4DB66G2	\$1,650
7.5	3600	230/460	00736ET3EHW213T-S	\$2,040	8.7	CFW500B24P0T2DB66G2	\$1,950	CFW500A10P0T4DB66G2	\$1,650
7.5	1800	230/460	00718ET3EHW213T-S	\$2,046	9.1	CFW500B24P0T2DB66G2	\$1,950	CFW500A10P0T4DB66G2	\$1,650
10	1800	230/460	01018ET3EHW215T-S	\$2,350	12.2	CFW500B28P0T2DB66G2	\$2,275	CFW500B14P0T4DB66G2	\$2,050
15	1800	230/460	01518ET3EHW254T-S	\$4,602	18.2			CFW500B24P0T4DB66G2	\$3,025
20	1800	230/460	02018ET3EHW256T-S	\$5,571	24.7			CFW500B31P0T4DB66G2	\$3,650

Please refer to back cover for description of "NOTES"

For detailed specifications, data sheets, drawings and performance curves visit <http://www.weg.net>

## CFW500-N4X/IP66 WASHDOWN DRIVE

The WEG CFW500 Wash series is a redesign of our most successful CFW500 series product line. Engineer improvements have produced one of the most compact and full featured washdown drive in the market.

The new version with IP66/NEMA 4X protection rating increases the product robustness, ensuring protection against the ingress of dust and water jets from any direction, which allows its use and installation both indoors and outdoors. The new IP66 models of the CFW500 line have the following characteristics.

### Standard Features

- Same programming as other WEG VFDs including CFW500-IP20.
- Built-in SoftPLC.
- Scalar, Vector Control (Senseless and closed loop with encoder feedback) & VVW PM (suitable for fan, Pump and compressor).
- NEMA 4X(IP66) Enclosure.
- Available with and without disconnect switch.
- Suitable for indoor and Outdoor use.
- 200-240V, 380-480V or 500-600 input voltage.
- Heavy Duty rated - 150% current overload capacity.
- 0 to 500 Hz output frequency.
- 2.5 to 15 kHz adjustable switching frequency (5 kHz standard)
- Built-in 24Vdc Power supply (max. 150 mA).
- Built-in RS-485 (Modbus RTU) communication.
- Four isolated programmable digital inputs.
- One programmable relay output (1NO, 1NC, 240vac 0.5A).
- One programmable transistor output.
- One isolated programmable analog input (0-10V, 0/4-20mA).
- One isolated programmable analog output (0-10V, 0/4-20mA).
- Protective features: Over current (Phase-Phase short circuit in the output or phase-ground short circuit in the output), Under/overvoltage, overtemperature in heatsink, motor overload, IGBT overload and external fault.
- Control features: Linear and "S" ramp acceleration and deceleration, local/remote control, DC braking, torque boost, motor slip compensation, electronic pot, preset speeds, adjustable V/Hz profile, maximum and minimum adjustable frequency limits, two skip frequencies, adjustable output current limit, JOG, ride-thru, flying start and PID regulator.
- Same keypad with backlight as of CFW500 product line with Main display line, secondary display line and bar graph display.
- Ambient: 14°F (-10°C) to 104°F (40°C), 3300ft (1000m) altitude, 5-95% humidity, non-condensing.
- WLP and WPS (only 230VAC and 460VAC Models) compatible.

For Indoor / Outdoor Use



### Applications NEMA 4X

- Pumps
- Fans
- Blowers
- Conveyors
- Rollout tables
- Agitators
- Mixers
- Any washdown applications

Wash Down Duty

## CFW500 - N4X/IP66 VFD W/O DISCONNECT SWITCH

Motor Voltage	HD - Motor HP <sup>1</sup>	HD - Drive Amps <sup>2</sup>	Catalog Number	Braking Transistor	Frame Size <sup>4</sup>	Dimensions (in.) HxWxD	Approx. Weight (lbs.)	List Price	Multiplier New (Old)	
230 Vac / 3 Phase	Input Power Supply: Single or Three-Phase 200-240 Vac									
	1/3	1.6	<a href="#">CFW500A01P6B2DB66G2</a>	Yes	A	10.4 x 6.5 x 8.9	22.0	\$775	V1G (V1)	
	3/4	2.6	<a href="#">CFW500A02P6B2DB66G2</a>	Yes	A	10.4 x 6.5 x 8.9	22.0	\$800	V1G (V1)	
	1 1/2	4.3	<a href="#">CFW500A04P3B2DB66G2</a>	Yes	A	10.4 x 6.5 x 8.9	22.0	\$850	V1G (V1)	
	2	7.3	<a href="#">CFW500A07P3B2DB66G2</a>	Yes	A	10.4 x 6.5 x 8.9	22.0	\$1,015	V1G (V1)	
	3	10.0	<a href="#">CFW500A10P0B2DB66G2</a>	Yes	A	10.4 x 6.5 x 8.9	22.0	\$1,095	V1G (V1)	
	Input Power Supply: Three-Phase 200-240 Vac									
	5	16	<a href="#">CFW500A16P0T2DB66G2</a>	Yes	A	10.4 x 6.5 x 8.9	22.0	\$1,350	V1G (V1)	
	7 1/2	24	<a href="#">CFW500B24P0T2DB66G2</a>	Yes	B	13.4 x 8.5 x 8.9	26.5	\$1,950	V1G (V1)	
	10	28	<a href="#">CFW500B28P0T2DB66G2</a>	Yes	B	13.4 x 8.5 x 8.9	26.5	\$2,275	V1G (V1)	
	10	33	<a href="#">CFW500B33P0T2DB66G2</a>	Yes	B	13.4 x 8.5 x 8.9	26.5	\$2,675	V1G (V1)	
	460 Vac / 3 Phase	Input Power Supply: Three-Phase 380-480 Vac								
		1/2	1.0	<a href="#">CFW500A01P0T4DB66G2</a>	Yes	A	10.4 x 6.5 x 8.9	22.0	\$950	V1G (V1)
		1	1.6	<a href="#">CFW500A01P6T4DB66G2</a>	Yes	A	10.4 x 6.5 x 8.9	22.0	\$975	V1G (V1)
2		2.6	<a href="#">CFW500A02P6T4DB66G2</a>	Yes	A	10.4 x 6.5 x 8.9	22.0	\$990	V1G (V1)	
3		4.3	<a href="#">CFW500A04P3T4DB66G2</a>	Yes	A	10.4 x 6.5 x 8.9	22.0	\$1,175	V1G (V1)	
5		6.5	<a href="#">CFW500A06P5T4DB66G2</a>	Yes	A	10.4 x 6.5 x 8.9	22.0	\$1,400	V1G (V1)	
7 1/2		10	<a href="#">CFW500A10P0T4DB66G2</a>	Yes	A	10.4 x 6.5 x 8.9	22.0	\$1,650	V1G (V1)	
10		14	<a href="#">CFW500B14P0T4DB66G2</a>	Yes	B	13.4 x 8.5 x 8.9	26.5	\$2,050	V1G (V1)	
10		16	<a href="#">CFW500B16P0T4DB66G2</a>	Yes	B	13.4 x 8.5 x 8.9	26.5	\$2,275	V1G (V1)	
15		24	<a href="#">CFW500B24P0T4DB66G2</a>	Yes	B	13.4 x 8.5 x 8.9	26.5	\$3,025	V1G (V1)	
25		31	<a href="#">CFW500B31P0T4DB66G2</a>	Yes	B	13.4 x 8.5 x 8.9	26.5	\$3,650	V1G (V1)	
575 Vac / 3 Phase <sup>3</sup>		Input Power Supply: Three-Phase 500-600 Vac								
	1 1/2	1.7	<a href="#">CFW500B01P7T5DB66</a>	Yes	B	13.4 x 8.5 x 8.9	26.5	\$1,590	V1G (V1)	
	3	3.0	<a href="#">CFW500B03P0T5DB66</a>	Yes	B	13.4 x 8.5 x 8.9	26.5	\$1,670	V1G (V1)	
	3	4.3	<a href="#">CFW500B04P3T5DB66</a>	Yes	B	13.4 x 8.5 x 8.9	26.5	\$1,890	V1G (V1)	
	7 1/2	7.0	<a href="#">CFW500B07P0T5DB66</a>	Yes	B	13.4 x 8.5 x 8.9	26.5	\$2,115	V1G (V1)	
	10	10.0	<a href="#">CFW500B10P0T5DB66</a>	Yes	B	13.4 x 8.5 x 8.9	26.5	\$2,330	V1G (V1)	
	10	12.0	<a href="#">CFW500B12P0T5DB66</a>	Yes	B	13.4 x 8.5 x 8.9	26.5	\$2,615	V1G (V1)	

Notes:

- 1) HP rating based on WEG W22 motors average FLA values. Use as a guide only.
- 2) Motor FLA may vary with speed and manufacturer. ALWAYS compare motor FLA to Nominal AMPS of drive.
- 3) All 575V drives are non-stocked items and are still Generation-1 drives, consult WEG for availability.
- 4) Frame Size A & B are rated for 40°C ambient temperature.

Please refer to back cover for description of "NOTES"

For detailed specifications, data sheets, drawings and performance curves visit <http://www.weg.net>



# CFW500 - N4X/IP66 VFD With DISCONNECT SWITCH

Motor Voltage	HD - Motor HP <sup>1</sup>	HD - Drive Amps <sup>2</sup>	Catalog Number	Braking Transistor	Frame Size <sup>4</sup>	Dimensions (in.) HxWxD	Approx. Weight (lbs.)	List Price	Multiplier New (Old)		
230 Vac / 3 Phase	Input Power Supply: Single or Three-Phase 200-240 Vac										
	1/3	1.6	<a href="#">CFW500A01P6B2DB66DSG2</a>	Yes	A	10.4 x 6.5 x 9.9	22.0	\$895	V1G (V1)		
	3/4	2.6	<a href="#">CFW500A02P6B2DB66DSG2</a>	Yes	A	10.4 x 6.5 x 9.9	22.0	\$920	V1G (V1)		
	1 1/2	4.3	<a href="#">CFW500A04P3B2DB66DSG2</a>	Yes	A	10.4 x 6.5 x 9.9	22.0	\$980	V1G (V1)		
	2	7.3	<a href="#">CFW500A07P3B2DB66DSG2</a>	Yes	A	10.4 x 6.5 x 9.9	22.0	\$1,170	V1G (V1)		
	3	10.0	<a href="#">CFW500A10P0B2DB66DSG2</a>	Yes	A	10.4 x 6.5 x 9.9	22.0	\$1,255	V1G (V1)		
	Input Power Supply: Three-Phase 200-240 Vac										
	5	16	<a href="#">CFW500A16P0T2DB66DSG2</a>	Yes	A	10.4 x 6.5 x 9.9	22.0	\$1,555	V1G (V1)		
	7 1/2	24	<a href="#">CFW500B24P0T2DB66DSG2</a>	Yes	B	13.4 x 8.5 x 9.9	26.5	\$2,245	V1G (V1)		
	10	28	<a href="#">CFW500B28P0T2DB66DSG2</a>	Yes	B	13.4 x 8.5 x 9.9	26.5	\$2,620	V1G (V1)		
	10	33	<a href="#">CFW500B33P0T2DB66DSG2</a>	Yes	B	13.4 x 8.5 x 9.9	26.5	\$3,080	V1G (V1)		
	460 Vac / 3 Phase	Input Power Supply: Three-Phase 380-480 Vac									
		1/2	1.0	<a href="#">CFW500A01P0T4DB66DSG2</a>	Yes	A	10.4 x 6.5 x 9.9	22.0	\$1,095	V1G (V1)	
		1	1.6	<a href="#">CFW500A01P6T4DB66DSG2</a>	Yes	A	10.4 x 6.5 x 9.9	22.0	\$1,125	V1G (V1)	
2		2.6	<a href="#">CFW500A02P6T4DB66DSG2</a>	Yes	A	10.4 x 6.5 x 9.9	22.0	\$1,140	V1G (V1)		
3		4.3	<a href="#">CFW500A04P3T4DB66DSG2</a>	Yes	A	10.4 x 6.5 x 9.9	22.0	\$1,350	V1G (V1)		
5		6.5	<a href="#">CFW500A06P5T4DB66DSG2</a>	Yes	A	10.4 x 6.5 x 9.9	22.0	\$1,610	V1G (V1)		
7 1/2		10	<a href="#">CFW500A10P0T4DB66DSG2</a>	Yes	A	10.4 x 6.5 x 9.9	22.0	\$1,900	V1G (V1)		
10		14	<a href="#">CFW500B14P0T4DB66DSG2</a>	Yes	B	13.4 x 8.5 x 9.9	26.5	\$2,360	V1G (V1)		
10		16	<a href="#">CFW500B16P0T4DB66DSG2</a>	Yes	B	13.4 x 8.5 x 9.9	26.5	\$2,620	V1G (V1)		
15		24	<a href="#">CFW500B24P0T4DB66DSG2</a>	Yes	B	13.4 x 8.5 x 9.9	26.5	\$3,480	V1G (V1)		
25		31	<a href="#">CFW500B31P0T4DB66DSG2</a>	Yes	B	13.4 x 8.5 x 9.9	26.5	\$4,200	V1G (V1)		
575 Vac / 3 Phase 3	Input Power Supply: Three-Phase 500-600 Vac										
	1 1/2	1.7	<a href="#">CFW500B01P7T5DB66DS</a>	Yes	B	13.4 x 8.5 x 9.9	26.5	\$1,830	V1G (V1)		
	3	3.0	<a href="#">CFW500B03P0T5DB66DS</a>	Yes	B	13.4 x 8.5 x 9.9	26.5	\$1,925	V1G (V1)		
	3	4.3	<a href="#">CFW500B04P3T5DB66DS</a>	Yes	B	13.4 x 8.5 x 9.9	26.5	\$2,175	V1G (V1)		
	7 1/2	7.0	<a href="#">CFW500B07P0T5DB66DS</a>	Yes	B	13.4 x 8.5 x 9.9	26.5	\$2,435	V1G (V1)		
	10	10.0	<a href="#">CFW500B10P0T5DB66DS</a>	Yes	B	13.4 x 8.5 x 9.9	26.5	\$2,680	V1G (V1)		
	10	12.0	<a href="#">CFW500B12P0T5DB66DS</a>	Yes	B	13.4 x 8.5 x 9.9	26.5	\$3,005	V1G (V1)		

Wash Down Duty

**Notes:**

- 1) HP rating based on WEG W22 motors average FLA values. Use as a guide only.
- 2) Motor FLA may vary with speed and manufacturer. ALWAYS compare motor FLA to Nominal AMPS of drive.
- 3) All 575V drives are non-stocked items and are still Generation-1 drives, consult WEG for availability.
- 4) Frame Size A & B are rated for 40°C ambient temperature.

Please refer to back cover for description of "NOTES"

 For detailed specifications, data sheets, drawings and performance curves visit [http:// www.weg.net](http://www.weg.net)

Data subject to change without notice.

## Options and Accessories

Type	CATALOG NUMBER	Description	Apprx. Shpg. Wt. (lbs.)
I/O	<b>CFW500-IOS</b> <sup>1</sup>	CFW500 I/O Module; 4 DI, 1 AI, 1 AO, 1 DOR, 1 DOT, 1 RS485, 10vdc, 24vdc	0.2
I/O	<b>CFW500-IOD</b>	CFW500 I/O Module; 8 DI, 1 AI, 1 AO, 1 DOR, 4 DOT, 1 RS485, 10vdc, 24vdc	0.2
I/O	<b>CFW500-IOAD</b>	CFW500 I/O Module; 6 DI, 3 AI, 2 AO, 1 DOR, 3 DOT, 1 RS485, 10vdc, 24vdc	0.2
I/O	<b>CFW500-IOR-B</b>	CFW500 I/O Module; 5 DI, 1 AI, 1 AO, 4 DOR, 1 DOT, 1 RS485, 10vdc, 24vdc	0.2
Encoder Input	<b>CFW500-ENC</b>	CFW500 Encoder Module; Quad Input A & B, 1 RS485, 5 DI, 1 AI, 1 AO, 3 DOR, 1 DOT, 24vdc	0.2
USB Card	<b>CFW500-CUSB</b>	CFW500 Comm. Module; 1 USB, 1 RS485, 4 DI, 1 AI, 1 AO, 1 DOR, 1 DOT, 10vdc, 24vdc	0.2
RS232 Card	<b>CFW500-CRS232</b>	CFW500 Comm. Module; 1 RS232, 1 RS485, 4 DI, 1 AI, 1 AO, 1 DOR, 1 DOT, 24vdc	0.2
RS485 Card	<b>CFW500-CRS485-B</b>	CFW500 Comm. Module; 2 RS485, 4 DI, 2 AI, 1 AO, 2 DOR, 1 DOT, 10vdc, 24vdc	0.2
CANopen Card	<b>CFW500-CCAN</b>	CFW500 Comm. Module; 1 CAN/DeviceNet, 1 RS485, 2 DI, 1 AI, 1 AO, 1 DOR, 1 DOT, 10vdc, 24vdc	0.2
Profibus DP & DP-V1 Module	<b>CFW500-CPDP2</b>	CFW500 Comm. Module; 1-Profibus DP & DP-V1 100BASE TX RJ-45 Port, 1-RS485, 2-DI, 1-AI, 1-AO, 1-DOR, 1-DOT, 24vdc (Terminal Block Connector)	0.2
Modbus TCP Comm. Module	<b>CFW500-CEMB-TCP</b>	CFW500 Comm. Module; 1-Modbus TCP 100BASE TX RJ-45 Port, 1-RS485, 2-DI, 1-AI, 1-AO, 1-DOR, 1-DOT, 24vdc	0.2
ProfiNet I/O Comm. Module	<b>CFW500-CEPN-IO</b>	CFW500 Comm. Module; 1-ProfiNet I/O 100BASE TX RJ-45 Port, 1-RS485, 2-DI, 1-AI, 1-AO, 1-DOR, 1-DOT, 24vdc	0.2
EtherNet IP Comm. Module	<b>CFW500-CETH-IP</b>	CFW500 Comm. Module; 2-DI, 1-AI, 1-AO, 1-DOR, 1-DOT, 1-RS485, 1-EtherNet IP 100BASE TX RJ-45 Port, 24vdc	0.2
STO Module	<b>CFW500-SFY2</b> <sup>2</sup>	CFW500 Safety Function Module; Safe Torque Off (STO) / Stop Category 0, Safe Stop 1 Time Controlled (SS1-t) / Stop Category 1; Safety Category: SIL 3, PL e	1.8
STO Module Plug	<b>CFW50X-STO-JMP</b>	CFW50x STO module plug	0.2
Flash Memory Module	<b>CFW500-MMF</b>	CFW500 Flash Memory Module for saving and reloading program and parameters to / from the drive.	0.2
Remote Keypad - Non Text	<b>CFW500-HMIR</b> <sup>3</sup>	CFW500 Remote non-text Keypad for mounting through enclosure door (Mounting Frame Kit is not required).	0.6
Remote Keypad - Advanced Text	<b>HMI-01</b> <sup>4</sup>	CFW500 Remote Advanced Text Keypad for mounting through enclosure door (Mounting Frame Kit is required).	0.4
Remote Keypad - Advanced Text Frame Kit	<b>CFW500-RHMIF</b>	CFW500 Remote Advanced Text Keypad enclosure door mounting frame kit	0.5
HMI Cable 1M	<b>CFW500-CCHMIRO1M</b>	3.3 ft (1 meter) Remote Keypad Cable	0.5
HMI Cable 2M	<b>CFW500-CCHMIRO2M</b>	6.6 ft (2 meter) Remote Keypad Cable	0.7
HMI Cable 3M	<b>CFW500-CCHMIRO3M</b>	9.9 ft (3 meter) Remote Keypad Cable	1.0
HMI Cable 5M	<b>CFW500-CCHMIRO5M</b>	16 ft (5 meter) Remote Keypad Cable	1.2
HMI Cable 7.5M	<b>CFW500-CCHMIRO75M</b>	25 ft (7.5 meter) Remote Keypad Cable	1.5
HMI Cable 10M	<b>CFW500-CCHMIRO10M</b>	33 ft (10 meter) Remote Keypad Cable	2.0

### Notes:

- CFW500-IOS Card is included as standard with CFW500-IP66 Drives.
- The Safety Function Module can be installed in the CFW500-IP66 drives in addition to the IOS module / any other I/O module / communication module. This model only works with 230VAC and 460VAC drives.
- The "CFW500-HMIR" Remote Keypad (Non-Text) requires Qty. (1) CFW500-CCHIROxM cable. ("x" represents the cable length in meters).
- The "HMI-01" remote Keypad (Advanced Text) requires Qty. (1) CFW500-RHMIF & Qty. (1) CFW500-CCHIROxM cable. ("x" represents the cable length in meters). This keypad only works with 230VAC and 460VAC drives.

Please refer to back cover for description of "NOTES"

For detailed specifications, data sheets, drawings and performance curves visit <http://www.weg.net>

## CFW500-N4X/IP66 Technical Data

<b>Power Supply</b>	Voltage	Single phase or Three Phase	200-240 Vac (+10%, -15%)
		Three phase	380-480 Vac, 500-600 Vac (+10%, -15%)
	Frequency	50 / 60Hz +/- 2Hz	
<b>Enclosure</b>	Degree of Protection	NEMA 4X / IP66	
	Mounting	Indoor / Outdoor	
<b>Control</b>	Control Modes	Volts per Hertz (Scalar)	VVW: Voltage vector control
		Sensorless Voltage Vector	Vector control with encoder
	Power Output	Sinusoidal PWM (Space Vector Modulation)	
		IGBT Transistors	
	Switching Frequency	2.5kHz to 15kHz	
	Frequency Range	0-500 Hz, resolution of 0.015 Hz	
	Overload Capacity	150% for 60 seconds, repeatable every 10 min.	
<b>Inputs</b>	4 programmable isolated digital inputs, 24V DC, NPN (Active Low) or PNP (Active High)		
	1 programmable isolated analog input; programmable for current or voltage (0-10V, 4-20mA or 0-20mA)		
<b>Outputs</b>	1 programmable relay output: Form C (One NO & NC contact), 240 V / 0.5 A		
	1 programmable isolated open collector digital output (transistor Output); 24Vdc.		
	1 programmable isolated analog output; programmable for current or voltage (0-10V, 4-20mA or 0-20mA)		
<b>Power Supply</b>	24 Vdc, +/- 20%, Max. 150 mA		
	10 Vdc, Max. 2 mA		
<b>Communication</b>	Isolated RS485 (One Port)		
	Modbus-RTU with max. communication of 38.4 kbps		
<b>Safety</b>	Protections	Motor over current	DC link over voltage
		Motor overload	DC link under voltage
		Output phase-to-phase short circuit	Drive over temperature
		Output phase-to-ground short circuit	External fault
		Programming error	
<b>Ambient</b>	Temperature	14 - 104°F (-10 to 40°C), up to 122°F (50°C) with 2% / 1.8°F (1°C) output current derating.	
	Humidity	5-95% Non Condensing	
	Altitude	0-3300 ft (1000m), up to 13,200 ft (4000m) with 1% / 328ft (100 m) output current derating.	
<b>Regulatory Conformance</b>	Safety Standards	UL 508C, UL 840, IEN/EN 61800-5-1, EN 50178, IEC/EN 60204-1, IEC/EN 60146, IEC/EN 61800-2	
	Electromagnetic Compatibility (EMC)	IEC/EN 61800-3, CISPR 11, IEC/EN 61000-4-2/3/4/5/6.	
	Mechanical Construction	IEC/EN 60529, UL 50, IEC/EN 60721-3-3	
<b>Special Functions</b>	Linear and "S" ramp accel and decel, local/remote control, FWD/REV selection, DC braking, manual and auto torque boost, motor slip compensation, electronic pot, two skip frequencies, maximum and minimum adjustable frequency limits, adjustable output current, Dc bus regulation, Speed/Torque Control, PID		
<b>Keypad</b>	Three lines of Display (Main display, Secondary display & Bar display) displaying three parameters, LDC; 9 keys		
	Readouts for: output frequency (Hz), output current (A), output voltage (V), motor torque (%) in vector mode, DC bus voltage (V), value proportional to frequency (Ex.: RPM), heatsink temperature, fault and status messages		

Please refer to back cover for description of "NOTES"

 For detailed specifications, data sheets, drawings and performance curves visit [http:// www.weg.net](http://www.weg.net)

Data subject to change without notice.

## SINGLE-PHASE

TEFC – Foot Mount	A-159
TEFC – C-Face – Foot Mount	A-160
TEFC – C-Face – Footless	A-160
TEFC – Foot Mount – Thermally Protected	A-161
ODP – Foot Mount	A-162
ODP – Resilient Base	A-163
ODP – C-Face – Foot Mount	A-164
ODP – C-Face – Footless	A-165
ODP – Foot Mount – Thermally Protected	A-165

## THREE-PHASE

TEFC – Foot Mount	A-166
TEFC – C-Face – Foot Mount	A-167
TEFC – C-Face – Footless	A-168
TEFC – Footless - Explosion Proof	A-168
ODP – Foot Mount	A-169
ODP – C-Face – Foot Mount	A-170
ODP – C-Face – Footless	A-171
ODP – Resilient Base	A-171

## DC MOTORS

NEMA 56 PMDC Motors	A-172
NEMA 145TC PMDC Motors	A-172

## EXPLOSION PROOF - SINGLE-PHASE

Foot Mount	A-174
C-Face – Foot Mount	A-174

## EXPLOSION PROOF - THREE-PHASE

Foot Mount	A-175
C-Face – Foot Mount	A-175

# Fractional Motors

## Single-Phase TEFC & ODP

High Starting Torque makes these motors ideal for a wide range of applications.

### Standard Features:

- Ball bearings
- Class F insulation



ODP

TEFC

### Features that make a difference:

- High Starting Torque
- TEFC motors are rated IP55 (gasketed conduit box and capacitor cover)



Resilient Base

# Fractional Motors

## Three-Phase TEFC & ODP

High Starting Torque makes these motors ideal for a wide range of applications.

### Standard Features:

- 50/60 Hz Rated
- Ball bearings
- Class F insulation



ODP



TEFC



Resilient Base

### Features that make a difference:

- Motors are suitable for VFD operation (TEFC)
- 50/60 Hz Rated
- Service Factor 1.15 or better
- TEFC rated IP55 (gasketed conduit box and capacitor cover)

Fractional Motors

#### Inverter Rated

	Max Ambient temp.	Efficiency	Frame	Output	Poles	CT Constant Torque	VT Variable torque
ODP	Up to 40°C	None (Standard Eff)	48 - 56	<1Hp	-	4:1	1000:1
				≥ 1Hp	-	2:1	
		Premium Efficiency	48 - 56	<1Hp	2	5:1	
				≥ 1Hp	2	3:1	
TEFC	Up to 40°C	None (Standard Eff)	48 - 56	<1Hp	-	10:1	1000:1
				≥ 1Hp	-	5:1	
		Premium Efficiency	48 - 56	-	2	10:1	
				-	4, 6 and 8	4:1	



Please refer to back cover for description of "NOTES"

For detailed specifications, data sheets, drawings and performance curves visit [http:// www.weg.net](http://www.weg.net)



### TEFC - Foot Mount

HP	kW	RPM	Frame	Catalog Number	List Price	Mult. Symbol	Approx. Shipping Weight (lbs)	Service Factor	FL Amps @ High	FL. Eff (%)	"C" Dimension (in)	Voltage (V)	Notes
0.25	0.18	3600	W56	.2536ES1BW56-S	\$257	F1	20	1.15	2.10	50.0	10.713	115/208-230	9
		1800	W56	.2518ES1BW56-S	\$267	F1	20	1.15	2.30	57.0	11.106	115/208-230	9
0.33	0.25	3600	W56	.3336ES1BW56-S	\$267	F1	23	1.15	2.60	54.0	11.106	115/208-230	9
		1800	W56	.3318ES1BW56-S	\$283	F1	22	1.15	3.00	61.0	11.500	115/208-230	9
		1800	W56	.3318ES1RFDW56-S	\$284	R1	22	1.15	3.00	61.0	11.500	115/230	4;9
0.5	0.37	3600	W56	.5036ES1BW56-S	\$284	F1	24	1.15	3.50	60.0	11.500	115/208-230	9
		3600	W56	.5036ES1BOLW56-S	\$316	F1	24	1.15	3.50	60.0	11.500	115/208-230	4;9
		1800	W56	.5018ES1RFDW56-S	\$308	R1	25	1.15	4.00	64.0	11.894	115/230	4;9
		1800	W56	.5018ES1BW56-S	\$312	F1	24	1.15	4.00	64.0	11.894	115/208-230	9
		1200	W56	.5012ES1B56-S	\$512	F1	38	1.15	3.20	71.0	13.508	115/208-230	9
0.75	0.55	3600	56	.7536ES1BOL56-S	\$329	F1	31	1.15	4.00	66.0	12.721	115/208-230	4;9
		3600	56	.7536ES1B56-S	\$297	F1	31	1.15	4.00	66.0	12.721	115/208-230	9
		1800	56	.7518ES1RFD56-S	\$357	R1	34	1.15	5.30	68.5	13.114	115/230	4;9
		1800	56	.7518ES1B56-S	\$348	F1	33	1.15	5.30	68.5	13.114	115/208-230	9
		1200	56H	.7512ES1B56-S	\$648	F1	44	1.15	4.70	70.0	14.295	115/208-230	9
1	0.75	3600	56	00136ES1BOL56-S	\$408	F1	35	1.15	5.10	70.0	13.114	115/208-230	4;9
		3600	56	00136ES1B56-S	\$376	F1	34	1.15	5.10	70.0	13.114	115/208-230	9
		1800	56	00118ES1RFD56-S	\$394	R1	40	1.15	6.80	71.0	13.901	115/230	4;9
		1800	56	00118ES1B56-S	\$401	F1	39	1.15	6.80	71.0	13.902	115/208-230	9
1.5	1.1	3600	56	00156ES1B56-S	\$432	F1	39	1.15	6.60	75.0	13.902	115/208-230	9
		3600	56	00156ES1BOL56-S	\$463	F1	39	1.15	6.60	75.0	13.902	115/208-230	4;9
		1800	56H	00158ES1RFD56H-S	\$502	R1	51	1.15	7.50	77.0	15.083	115/230	4;9
		1800	56H	00158ES1B56-S	\$456	F1	40	1.15	7.50	77.0	15.083	115/208-230	9
2	1.5	3600	56H	00236ES1BOL56-S	\$592	F1	44	1.15	8.70	77.0	14.295	115/208-230	4;9
		3600	56H	00236ES1B56-S	\$561	F1	44	1.15	8.70	77.0	14.295	115/208-230	9
		1800	56H	00218ES1RFD56H-S	\$529	R1	56	1.15	10.0	78.5	15.870	115/230	4;9

Please refer to back cover for description of "NOTES"

For detailed specifications, data sheets, drawings and performance curves visit <http://www.weg.net>

Data subject to change without notice.

Can't find what you are looking for? Call 1-800-ASK-4WEG (275-4934)

# Fractional Motors



SINGLE -PHASE



## TEFC - C-Face - Foot Mount

HP	kW	RPM	Frame	Catalog Number	List Price	Mult. Symbol	Approx. Shipping Weight (lbs)	Service Factor	FL Amps @ High	FL. Eff (%)	"C" Dimension (in)	Voltage (V)	Notes
0.25	0.18	3600	W56C	.2536ES1BW56C-S	\$280	F1	20	1.15	2.10	50.0	10.713	115/208-230	9
		1800	W56C	.2518ES1BW56C-S	\$288	F1	20	1.15	2.30	57.0	11.106	115/208-230	9
0.33	0.25	3600	W56C	.3336ES1BW56C-S	\$288	F1	22	1.15	2.60	54.0	11.106	115/208-230	9
		1800	W56C	.3318ES1BW56C-S	\$304	F1	22	1.15	3.00	61.0	11.500	115/208-230	9
0.5	0.37	3600	W56C	.5036ES1BW56C-S	\$313	F1	24	1.15	3.50	60.0	11.500	115/208-230	9
		1800	W56C	.5018ES1BW56C-S	\$333	F1	26	1.15	4.00	64.0	11.894	115/208-230	9
		1800	W56C	.5018ES1BOW56C-S	\$348	F1	24	1.15	4.00	64.0	11.894	115/208-230	3;9
		1200	W56C	.5012ES1B56C-S	\$535	F1	39	1.15	3.20	67.0	13.508	115/208-230	9
0.75	0.55	3600	56C	.7536ES1B56C-S	\$353	F1	32	1.15	4.00	66.0	12.721	115/208-230	9
		1800	56C	.7518ES1B56C-S	\$370	F1	34	1.15	5.30	68.5	13.114	115/208-230	9
		1200	56HC	.7512ES1B56C-S	\$669	F1	45	1.15	4.70	70.0	14.295	115/208-230	9
1	0.75	3600	56C	00136ES1B56C-S	\$378	F1	35	1.15	5.10	70.0	13.114	115/208-230	9
		1800	56C	00118ES1B56C-S	\$424	F1	40	1.15	6.80	71.0	13.902	115/208-230	9
		1800	56C	00118ES1B056C-S	\$439	F1	40	1.15	6.80	71.0	13.902	115/208-230	3;9
1.5	1.1	3600	56C	00156ES1B56C-S	\$454	F1	40	1.15	6.60	75.0	13.902	115/208-230	9
		1800	56HC	00158ES1B056C-S	\$493	F1	41	1.15	7.50	77.0	15.083	115/208-230	3;9
		1800	56HC	00158ES1B56C-S	\$478	F1	41	1.15	7.50	77.0	15.083	115/208-230	9
2	1.5	3600	56HC	00236ES1B56C-S	\$589	F1	44	1.15	8.70	77.0	14.295	115/208-230	9



## TEFC - C-Face - Footless

HP	kW	RPM	Frame	Catalog Number	List Price	Mult. Symbol	Approx. Shipping Weight (lbs)	Service Factor	FL Amps @ High	FL. Eff (%)	"C" Dimension (in)	Voltage (V)	Notes
0.33	0.25	3600	W56C	.3336ES1BW56CFL-S	\$288	F1	21	1.15	2.60	53.0	11.106	115/208-230	9;20
		1800	W56C	.3318ES1BW56CFL-S	\$304	F1	22	1.15	3.00	61.0	11.500	115/208-230	9;20
0.5	0.37	3600	W56C	.5036ES1BW56CFL-S	\$313	F1	24	1.15	3.50	60.0	11.500	115/208-230	9;20
		1800	W56C	.5018ES1BW56CFL-S	\$333	F1	24	1.15	4.00	64.0	11.894	115/208-230	9;20
		1200	56C	.5012ES1B56CFL-S	\$535	F1	38	1.15	3.20	71.0	13.508	115/208-230	9;20
		3600	56C	.7536ES1B56CFL-S	\$353	F1	31	1.15	4.00	66.0	12.721	115/208-230	9;20
0.75	0.55	1800	56C	.7518ES1B56CFL-S	\$370	F1	34	1.15	5.30	68.5	13.114	115/208-230	9;20
		1200	56C	.7512ES1B56CFL-S	\$669	F1	44	1.15	4.70	70.0	14.295	115/208-230	9;20
		3600	56C	00136ES1B56CFL-S	\$378	F1	35	1.15	5.10	70.0	13.114	115/208-230	9;20
1	0.75	1800	56C	00118ES1B56CFL-S	\$424	F1	39	1.15	6.80	71.0	13.902	115/208-230	9;20
		3600	56C	00156ES1B56CFL-S	\$454	F1	39	1.15	6.60	75.0	13.902	115/208-230	9;20
1.5	1.1	1800	56C	00158ES1B56CFL-S	\$478	F1	40	1.15	7.50	77.0	15.083	115/208-230	9;20
		3600	56C	00236ES1B56CFL-S	\$589	F1	43	1.15	8.70	77.0	14.295	115/208-230	9;20

Please refer to back cover for description of "NOTES"

For detailed specifications, data sheets, drawings and performance curves visit <http://www.weg.net>





### TEFC - Foot Mount - Thermally Protected

HP	kW	RPM	Frame	Catalog Number	List Price	Mult. Symbol	Approx. Shipping Weight (lbs)	Service Factor	FL Amps @ High	FL. Eff (%)	"C" Dimension (in)	Voltage (V)	Notes
0.33	0.25	1800	W56	<b>.3318ES1RFDW56-S</b>	<b>\$284</b>	R1	22	1.15	3.00	61.0	11.500	115/230	4;9
		3600	W56	<b>.5036ES1BOLW56-S</b>	<b>\$316</b>	F1	24	1.15	3.50	60.0	11.500	115/208-230	4;9
0.5	0.37	1800	W56	<b>.5018ES1RFDW56-S</b>	<b>\$308</b>	R1	25	1.15	4.00	64.0	11.894	115/230	4;9
		3600	56	<b>.7536ES1BOL56-S</b>	<b>\$329</b>	F1	31	1.15	4.00	66.0	12.721	115/208-230	4;9
0.75	0.55	1800	56	<b>.7518ES1RFD56-S</b>	<b>\$357</b>	R1	34	1.15	5.30	68.5	13.114	115/230	4;9
		3600	56	<b>00136ES1BOL56-S</b>	<b>\$408</b>	F1	35	1.15	5.10	70.0	13.114	115/208-230	4;9
1	0.75	1800	56	<b>00118ES1RFD56-S</b>	<b>\$394</b>	R1	40	1.15	6.80	71.0	13.901	115/230	4;9
		3600	56	<b>00156ES1BOL56-S</b>	<b>\$463</b>	F1	39	1.15	6.60	75.0	13.902	115/208-230	4;9
1.5	1.1	1800	56H	<b>00158ES1RFD56H-S</b>	<b>\$502</b>	R1	51	1.15	7.50	77.0	15.083	115/230	4;9
		3600	56H	<b>00236ES1BOL56-S</b>	<b>\$592</b>	F1	44	1.15	8.70	77.0	14.295	115/208-230	4;9
2	1.5	1800	56H	<b>00218ES1RFD56H-S</b>	<b>\$529</b>	R1	56	1.15	10.0	78.5	15.870	115/230	4;9

Please refer to back cover for description of "NOTES"

For detailed specifications, data sheets, drawings and performance curves visit <http://www.weg.net>

Data subject to change without notice.

Can't find what you are looking for? Call 1-800-ASK-4WEG (275-4934)

# Fractional Motors

SINGLE -PHASE

ODP - Foot Mount



HP	kW	RPM	Frame	Catalog Number	List Price	Mult. Symbol	Approx. Shipping Weight (lbs)	Service Factor	FL Amps @ High	FL. Eff (%)	"C" Dimension (in)	Voltage (V)	Notes
0.12	0.09	1800	48	.12180S1B48-S	\$201	F1B	18	1.40	1.40	50.0	9.098	115/208-230	9
		3600	48	.16360S1B48-S	\$216	F1B	21	1.35	1.40	53.0	9.098	115/208-230	9
0.16	0.12	1800	48	.16180S1B48-S	\$208	F1B	22	1.35	1.70	53.0	9.098	115/208-230	9
		3600	48	.25360T1B48-S	\$253	F2B	19	1.35	1.30	66.6	9.492	115/208-230	9
0.25	0.18	3600	W56	.25360T1BW56-S	\$253	F2B	19	1.35	1.30	66.6	9.866	115/208-230	9
		1800	48	.25180T1B48-S	\$241	F2B	18	1.35	1.60	68.5	9.492	115/208-230	9
		1800	W56	.25180T1BW56-S	\$241	F2B	19	1.35	1.60	68.5	9.866	115/208-230	9
		3600	48	.33360T1B48-S	\$256	F2B	23	1.35	1.60	70.5	9.886	115/208-230	9
0.33	0.25	3600	W56	.33360T1BW56-S	\$257	F2B	23	1.35	1.60	70.5	10.260	115/208-230	9
		1800	48	.33180T1B48-S	\$275	F2B	20	1.35	2.10	72.4	9.886	115/208-230	9
		1800	W56	.33180T1BW56-S	\$275	F2B	21	1.35	2.10	72.4	10.260	115/208-230	9
		3600	48	.50360T1B48-S	\$276	F2B	23	1.25	2.40	72.4	9.886	115/208-230	9
0.5	0.37	3600	W56	.50360S1BCDW56-S	\$224	C1S	28	1.00	3.10	63.0	9.866	115/208-230	1;4;6;9
		3600	W56	.50360T1BW56-S	\$282	F2B	24	1.25	2.40	72.4	10.260	115/208-230	9
		1800	48	.50180T1B48-S	\$318	F2B	23	1.25	2.80	76.2	10.280	115/208-230	9
		1800	W56	.50180T1BW56-S	\$307	F2B	23	1.25	2.80	76.2	10.654	115/208-230	9
		3600	W56	.75360S1BCDW56-S	\$237	C1S	22	1.00	4.30	68.5	10.260	115/208-230	1;4;6;9
0.75	0.55	3600	56	.75360T1B56-S	\$320	F2B	30	1.25	3.40	76.2	11.890	115/208-230	9
		1800	56	.75180T1B56-S	\$387	F2B	38	1.25	3.40	81.8	11.890	115/208-230	9
		3600	56	.001360S1BCD56-S	\$278	C1S	36	1.00	6.60	67.0	11.102	115/208-230	1;4;6;9
1	0.75	3600	56	.001360T1B56-S	\$347	F2B	35	1.25	4.30	80.4	11.890	115/208-230	9
		1800	56	.001180T1B56-S	\$421	F2B	41	1.15	4.50	82.6	12.677	115/208-230	9
		1800	56	.001180T1B056-S	\$438	F2B	41	1.15	4.50	82.6	12.677	115/208-230	3;9
		3600	56	.001560S1BCD56-S	\$311	C1S	40	1.00	8.70	68.0	11.496	115/208-230	1;4;6;9
1.5	1.1	3600	56	.001560T1B56-S	\$393	F2B	38	1.15	6.20	81.5	12.284	115/208-230	9
		1800	56H	.001580T1B56-S	\$523	F2B	49	1.15	6.80	83.8	13.071	115/208-230	9
		1800	56H	.001580T1B056-S	\$541	F2B	50	1.15	6.80	83.8	13.465	115/208-230	3;9
		3600	56H	.002360S1BCD56-S	\$372	C1S	34	1.00	8.90	70.0	11.890	115/208-230	1;4;6;9
2	1.5	3600	56H	.002360T1B56-S	\$485	F2B	43	1.15	8.40	82.9	12.677	115/208-230	9
		1800	56H	.002180T1B56-S	\$626	F2B	54	1.15	9.30	84.5	13.465	115/208-230	9
		3600	56H	.003360S1CCD56-S	\$432	C1S	41	1.00	12.7	80.0	12.677	208-230	1;4;6;9
3	2.2	3600	56H	.003360T1B56-S	\$568	F2B	52	1.15	12.2	84.1	13.465	115/208-230	9
		3600	56H	.005360S1DCD56H-S	\$458	C1S	53	1.00	20.3	80.0	13.465	230	1;4;6;9
5	3.7	3600	56HZ	.005360S1DCD56HZ-S	\$481	C1S	53	1.00	20.3	80.0	13.533	230	1;4;5;6;9

Fractional Motors

Please refer to back cover for description of "NOTES"

For detailed specifications, data sheets, drawings and performance curves visit <http://www.weg.net>



### ODP - Resilient Base

HP	kW	RPM	Frame	Catalog Number	List Price	Mult. Symbol	Approx. Shipping Weight (lbs)	Service Factor	FL Amps @ High	FL. Eff (%)	"C" Dimension (in)	Voltage (V)	Notes
0.16	0.12	1800	48Z	<a href="#">.16180S1ASPRB048Z-S</a>	\$272	F1B	21	1.35	3.00	50.5	10.138	115	3;9;13;16
		1800	48Z	<a href="#">.16180S1ASPRB48Z-S</a>	\$260	F1B	21	1.35	3.00	50.5	10.138	115	9;13;16
0.25	0.18	1800	48Z	<a href="#">.25180S1BSPRB048Z-S</a>	\$274	F1B	22	1.35	2.10	55.0	10.138	115/208-230	3;9;13;16
		1800	48Z	<a href="#">.25180S1ASPRB048Z-S</a>	\$274	F1B	22	1.35	4.30	55.0	10.138	115	3;9;13;16
		1800	48Z	<a href="#">.25180S1ASPRB48Z-S</a>	\$262	F1B	22	1.35	4.30	55.0	10.138	115	9;13;16
0.33	0.25	1800	48Z	<a href="#">.33180S1BSPRB048Z-S</a>	\$284	F1B	24	1.35	2.60	60.8	10.138	115/208-230	3;9;13;16
		1800	W56	<a href="#">.33180S1BSPRB0W56-S</a>	\$288	F1B	25	1.35	2.60	62.0	10.138	115/208-230	3;9;13;16
		1800	W56	<a href="#">.33180S1BSPRBW56-S</a>	\$276	F1B	25	1.35	2.60	62.0	10.138	115/208-230	9;13;16
		1800	48Z	<a href="#">.33180S1BSPRB48Z-S</a>	\$272	F1B	24	1.35	2.60	60.8	10.138	115/208-230	9;13;16
		1800	W56	<a href="#">.33180T1BRBOW56-S</a>	\$325	F2B	24	1.35	2.10	72.4	10.925	115/208-230	3;9;13
0.5	0.37	1800	48Z	<a href="#">.50180S1BSPRB048Z-S</a>	\$311	F1B	29	1.25	3.70	63.5	10.925	115/208-230	3;9;13;16
		1800	48Z	<a href="#">.50180S1BSPRB48Z-S</a>	\$299	F1B	29	1.25	3.70	63.5	10.925	115/208-230	9;13;16
		1800	W56	<a href="#">.50180S1BSPRB0W56-S</a>	\$316	F1B	30	1.25	3.70	63.5	10.945	115/208-230	3;9;13;16
		1800	W56	<a href="#">.50180S1BSPRBW56-S</a>	\$304	F1B	30	1.25	3.70	63.5	10.945	115/208-230	9;13;16
		1800	W56	<a href="#">.50180T1BRBOW56-S</a>	\$368	F2B	26	1.25	2.75	76.2	11.319	115/208-230	3;9;13
0.75	0.55	1800	56	<a href="#">.75180T1BRB056-S</a>	\$434	F2B	38	1.25	3.40	81.8	12.402	115/208-230	3;9;13
1	0.75	1800	56	<a href="#">001180T1BRB056-S</a>	\$468	F2B	43	1.15	4.50	82.6	13.189	115/208-230	3;9;13
1.5	1.1	3600	56	<a href="#">001560T1BRB056-S</a>	\$450	F2B	39	1.15	6.20	81.5	12.795	115/208-230	3;9;13
		1800	56H	<a href="#">001580T1BRB056-S</a>	\$570	F2B	50	1.15	6.80	83.8	13.583	115/208-230	3;9;13
2	1.5	1800	56H	<a href="#">002180T1BRB056H-S</a>	\$616	F2B	57	1.15	9.30	84.5	14.373	115/208-230	3;9;13

Please refer to back cover for description of "NOTES"

For detailed specifications, data sheets, drawings and performance curves visit <http://www.weg.net>

Data subject to change without notice.

Can't find what you are looking for? Call 1-800-ASK-4WEG (275-4934)

# Fractional Motors



SINGLE -PHASE



## ODP - C-Face - Foot Mount

HP	kW	RPM	Frame	Catalog Number	List Price	Mult. Symbol	Approx. Shipping Weight (lbs)	Service Factor	FL Amps @ High	FL. Eff (%)	"C" Dimension (in)	Voltage (V)	Notes
0.12	0.09	1800	48CH	<a href="#">.12180S1B48CH-S</a>	\$222	F1B	18	1.40	1.40	50.0	9.098	115/208-230	9
0.16	0.12	3600	48CH	<a href="#">.16360S1B48CH-S</a>	\$237	F1B	21	1.35	1.40	53.0	9.098	115/208-230	9
		1800	48CH	<a href="#">.16180S1B48CH-S</a>	\$231	F1B	22	1.35	1.70	53.0	9.098	115/208-230	9
0.25	0.18	3600	48CH	<a href="#">.25360T1B48CH-S</a>	\$277	F2B	19	1.35	1.30	66.6	9.492	115/208-230	9
		3600	W56C	<a href="#">.25360T1BW56C-S</a>	\$281	F2B	19	1.35	1.30	66.6	9.866	115/208-230	9
		1800	48CH	<a href="#">.25180T1B48CH-S</a>	\$269	F2B	18	1.35	1.60	68.5	9.492	115/208-230	9
		1800	W56C	<a href="#">.25180T1BW56C-S</a>	\$269	F2B	19	1.35	1.60	68.5	9.866	115/208-230	9
0.33	0.25	3600	48CH	<a href="#">.33360T1B48CH-S</a>	\$282	F2B	23	1.35	1.60	70.5	9.886	115/208-230	9
		3600	W56C	<a href="#">.33360T1BW56C-S</a>	\$285	F2B	23	1.35	1.60	70.5	10.260	115/208-230	9
		1800	48CH	<a href="#">.33180T1B48CH-S</a>	\$299	F2B	20	1.35	2.10	72.4	9.886	115/208-230	9
		1800	W56C	<a href="#">.33180T1BW56C-S</a>	\$303	F2B	21	1.35	2.10	72.4	10.260	115/208-230	9
0.5	0.37	3600	48CH	<a href="#">.50360T1B48CH-S</a>	\$300	F2B	23	1.25	2.40	72.4	9.886	115/208-230	9
		3600	W56C	<a href="#">.50360T1BW56C-S</a>	\$310	F2B	24	1.25	2.40	72.4	10.260	115/208-230	9
		1800	W56C	<a href="#">.50180T1BOW56C-S</a>	\$352	F2B	24	1.25	2.80	76.2	10.654	115/208-230	3;9
		1800	W56C	<a href="#">.50180T1BW56C-S</a>	\$335	F2B	24	1.25	2.80	76.2	10.654	115/208-230	9
0.75	0.55	3600	56C	<a href="#">.75360T1B56C-S</a>	\$348	F2B	30	1.25	3.40	76.2	11.890	115/208-230	9
		1800	56C	<a href="#">.75180T1B56C-S</a>	\$415	F2B	38	1.25	3.40	81.8	11.890	115/208-230	9
1	0.75	3600	56C	<a href="#">001360T1B56C-S</a>	\$375	F2B	35	1.25	4.30	80.4	11.890	115/208-230	9
		1800	56C	<a href="#">001180T1B56C-S</a>	\$449	F2B	41	1.15	4.50	82.6	12.677	115/208-230	9
1.5	1.1	3600	56C	<a href="#">001560T1B56C-S</a>	\$421	F2B	38	1.15	6.20	81.5	12.284	115/208-230	9
		1800	56HC	<a href="#">001580T1B56C-S</a>	\$551	F2B	49	1.15	6.80	83.8	13.071	115/208-230	9
2	1.5	3600	56HC	<a href="#">002360T1B56C-S</a>	\$513	F2B	43	1.15	8.40	82.9	12.677	115/208-230	9
		1800	56HC	<a href="#">002180T1B56C-S</a>	\$654	F2B	54	1.15	9.30	84.5	13.465	115/208-230	9
3	2.2	3600	56HC	<a href="#">003360T1B56C-S</a>	\$596	F2B	52	1.15	12.2	84.1	13.465	115/208-230	9

Fractional Motors

Please refer to back cover for description of "NOTES"

For detailed specifications, data sheets, drawings and performance curves visit [http:// www.weg.net](http://www.weg.net)



### ODP - C-Face - Footless

HP	kW	RPM	Frame	Catalog Number	List Price	Mult. Symbol	Approx. Shipping Weight (lbs)	Service Factor	FL Amps @ High	FL. Eff (%)	"C" Dimension (in)	Voltage (V)	Notes
0.25	0.18	1800	W56C	<a href="#">.25180T1BW56CFL-S</a>	\$269	F2B	18	1.35	1.60	68.5	9.866	115/208-230	9;20;51
0.33	0.25	3600	W56C	<a href="#">.33360T1BW56CFL-S</a>	\$285	F2B	23	1.35	1.60	70.5	10.260	115/208-230	9;20
		3600	W56C	<a href="#">.33360T1BOW56CFL-S</a>	\$302	F2B	23	1.35	1.60	70.5	10.260	115/208-230	3;9;20
		1800	W56C	<a href="#">.33180T1BW56CFL-S</a>	\$303	F2B	20	1.35	2.10	72.4	10.260	115/208-230	9;20
0.5	0.37	3600	W56C	<a href="#">.50360T1BOW56CFL-S</a>	\$327	F2B	23	1.25	2.40	72.4	10.260	115/208-230	3;9;20
		3600	W56C	<a href="#">.50360T1BW56CFL-S</a>	\$310	F2B	23	1.25	2.40	72.4	10.260	115/208-230	9;20
		1800	W56C	<a href="#">.50180T1BW56CFL-S</a>	\$335	F2B	23	1.25	2.80	76.2	10.654	115/208-230	9;20
0.75	0.55	3600	56C	<a href="#">.75360T1B056CFL-S</a>	\$365	F2B	29	1.25	3.40	76.2	11.890	115/208-230	3;9;20
		3600	56C	<a href="#">.75360T1B56CFL-S</a>	\$348	F2B	29	1.25	3.40	76.2	11.890	115/208-230	9;20
		1800	56C	<a href="#">.75180T1B56CFL-S</a>	\$415	F2B	38	1.25	3.40	81.8	11.890	115/208-230	9;20
1	0.75	3600	56C	<a href="#">001360T1B56CFL-S</a>	\$375	F2B	35	1.25	4.30	80.4	11.890	115/208-230	9;20
		3600	56C	<a href="#">001360T1B056CFL-S</a>	\$392	F2B	35	1.25	4.30	80.4	11.890	115/208-230	3;9;20
		1800	56C	<a href="#">001180T1B56CFL-S</a>	\$449	F2B	41	1.15	4.50	82.6	12.677	115/208-230	9;20
1.5	1.1	3600	56C	<a href="#">001560T1B56CFL-S</a>	\$421	F2B	38	1.15	6.20	81.5	12.284	115/208-230	9;20
		3600	56C	<a href="#">001560T1B056CFL-S</a>	\$438	F2B	38	1.15	6.20	81.5	12.284	115/208-230	3;9;20;51
		1800	56C	<a href="#">001580T1B56CFL-S</a>	\$551	F2B	48	1.15	6.80	83.8	13.071	115/208-230	9;20
2	1.5	3600	56C	<a href="#">002360T1B56CFL-S</a>	\$513	F2B	43	1.15	8.40	82.9	12.677	115/208-230	9;20
		3600	56C	<a href="#">002360T1B056CFL-S</a>	\$530	F2B	43	1.15	8.40	82.9	12.677	115/208-230	3;9;20;51
		1800	56C	<a href="#">002180T1B56CFL-S</a>	\$654	F2B	54	1.15	9.30	84.5	13.465	115/208-230	9;20
3	2.2	3600	56C	<a href="#">003360T1B056CFL-S</a>	\$613	F2B	51	1.15	12.2	84.1	13.465	115/208-230	3;9;20
		3600	56C	<a href="#">003360T1B56CFL-S</a>	\$596	F2B	51	1.15	12.2	84.1	13.465	115/208-230	9;20



### ODP - Foot Mount - Thermally Protected

HP	kW	RPM	Frame	Catalog Number	List Price	Mult. Symbol	Approx. Shipping Weight (lbs)	Service Factor	FL Amps @ High	FL. Eff (%)	"C" Dimension (in)	Voltage (V)	Notes
0.5	0.37	3600	W56	<a href="#">.50360S1BCDW56-S</a>	\$224	C1S	28	1.00	3.10	63.0	9.866	115/208-230	1;4;6;9
0.75	0.55	3600	W56	<a href="#">.75360S1BCDW56-S</a>	\$237	C1S	22	1.00	4.30	68.5	10.260	115/208-230	1;4;6;9
1	0.75	3600	56	<a href="#">001360S1BCD56-S</a>	\$278	C1S	36	1.00	6.60	67.0	11.102	115/208-230	1;4;6;9
		1800	56	<a href="#">001180T1B056-S</a>	\$438	F2B	41	1.15	4.50	82.6	12.677	115/208-230	3;9
1.5	1.1	3600	56	<a href="#">001560S1BCD56-S</a>	\$311	C1S	40	1.00	8.70	68.0	11.496	115/208-230	1;4;6;9
		1800	56H	<a href="#">001580T1B056-S</a>	\$541	F2B	50	1.15	6.80	83.8	13.465	115/208-230	3;9
2	1.5	3600	56H	<a href="#">002360S1BCD56-S</a>	\$372	C1S	34	1.00	8.90	70.0	11.890	115/208-230	1;4;6;9
3	2.2	3600	56H	<a href="#">003360S1CCD56-S</a>	\$432	C1S	41	1.00	12.7	80.0	12.677	208-230	1;4;6;9
5	3.7	3600	56H	<a href="#">005360S1DCD56H-S</a>	\$458	C1S	53	1.00	20.3	80.0	13.465	230	1;4;6;9
		3600	56HZ	<a href="#">005360S1DCD56HZ-S</a>	\$481	C1S	53	1.00	20.3	80.0	13.533	230	1;4;5;6;9

Please refer to back cover for description of "NOTES"

For detailed specifications, data sheets, drawings and performance curves visit <http://www.weg.net>

Data subject to change without notice.

Can't find what you are looking for? Call 1-800-ASK-4WEG (275-4934)

A-165

# Fractional Motors



THREE -PHASE

TEFC - Foot Mount

HP	kW	RPM	Frame	Catalog Number	List Price	Mult. Symbol	Approx. Shipping Weight (lbs)	Service Factor	FL Amps @ High	FL. Eff (%)	"C" Dimension (in)	Voltage (V)	Notes
0.25	0.18	3600	56	.2536ES3E56-S	\$237	F1	21	1.15	0.50	57.5	11.142	208-230/460	9
		1800	56	.2518ES3E56-S	\$249	F1	23	1.15	0.50	70.0	11.142	208-230/460	9
0.33	0.25	3600	56	.3336ES3E56-S	\$249	F1	22	1.15	0.60	62.0	11.142	208-230/460	9
		1800	56	.3318ES3E56-S	\$253	F1	24	1.15	0.60	74.0	11.535	208-230/460	9
0.5	0.37	3600	56	.5036ES3E56-S	\$258	F1	24	1.15	0.80	68.0	11.535	208-230/460	9
		1800	56	.5018ES3E56-S	\$287	F1	26	1.15	0.90	77.0	11.535	208-230/460	9
		1800	56	.5018ES3H56-S	\$288	F1	26	1.15	0.70	77.0	11.535	575	9
		1200	56	.5012ES3E56-S	\$417	F1	31	1.15	1.00	72.0	12.323	208-230/460	9
0.75	0.55	3600	56	.7536ES3E56-S	\$287	F1	25	1.15	1.10	72.0	11.535	208-230/460	9
		3600	56	.7536ES3H56-S	\$288	F1	25	1.15	0.90	72.0	11.535	575	9
		1800	56	.7518ES3E56-S	\$311	F1	28	1.15	1.20	78.5	11.929	208-230/460	9
		1200	56H	.7512ES3E56-S	\$427	F1	34	1.15	1.30	75.5	12.716	208-230/460	9
1	0.75	3600	W56	00136ET3EW56-S	\$392	F1	25	1.15	1.50	78.5	11.106	230/460	9
		3600	W56	00136ET3HW56-S	\$392	F1	25	1.15	1.20	78.5	11.106	575	9
		1800	56	00118ET3E56-S	\$379	F1	41	1.15	1.50	85.5	13.504	230/460	9
		1800	56	00118ET3H56-S	\$379	F1	41	1.15	1.20	85.5	13.504	575	9
		1200	56H	00112ET3E56-S	\$497	F1	42	1.15	1.60	82.5	13.504	230/460	9
1.5	1.1	3600	56	00156ET3E56-S	\$433	F1	37	1.15	1.90	84.0	13.109	230/460	9
		1800	56H	00158ET3E56-S	\$435	F1	44	1.15	2.00	86.5	13.504	230/460	9
2	1.5	3600	56H	00236ET3E56-S	\$489	F1	44	1.15	2.50	85.5	13.898	230/460	9
		1800	56H	00218ET3E56-S	\$478	F1	46	1.15	2.70	86.5	13.898	230/460	9
3	2.2	3600	56H	00336ET3E56-S	\$578	F1	54	1.15	3.50	86.5	15.079	230/460	9

Fractional Motors

Please refer to back cover for description of "NOTES"

For detailed specifications, data sheets, drawings and performance curves visit [http:// www.weg.net](http://www.weg.net)



### TEFC - C-Face - Foot Mount

HP	kW	RPM	Frame	Catalog Number	List Price	Mult. Symbol	Approx. Shipping Weight (lbs)	Service Factor	FL Amps @ High	FL. Eff (%)	"C" Dimension (in)	Voltage (V)	Notes
0.25	0.18	3600	56C	.2536ES3E56C-S	\$258	F1	21	1.15	0.50	57.5	11.142	208-230/460	9
		1800	56C	.2518ES3E56C-S	\$270	F1	23	1.15	0.50	70.0	11.142	208-230/460	9
		1800	56C	.2518ES3H56C-S	\$270	F1	23	1.15	0.40	70.0	11.142	575	9
0.33	0.25	3600	56C	.3336ES3E56C-S	\$270	F1	22	1.15	0.60	62.0	11.142	208-230/460	9
		3600	56C	.3336ES3H56C-S	\$270	F1	22	1.15	0.50	62.0	11.142	575	9
		1800	56C	.3318ES3E56C-S	\$274	F1	24	1.15	0.60	74.0	11.535	208-230/460	9
0.5	0.37	3600	56C	.5036ES3E56C-S	\$282	F1	24	1.15	0.80	68.0	11.535	208-230/460	9
		3600	56C	.5036ES3H56C-S	\$281	F1	24	1.15	0.70	68.0	11.535	575	9
		1800	56C	.5018ES3E56C-S	\$311	F1	26	1.15	0.90	77.0	11.535	208-230/460	9
		1800	56C	.5018ES3H56C-S	\$263	F1	26	1.15	0.70	77.0	11.535	575	9
		1200	56C	.5012ES3E56C-S	\$440	F1	31	1.15	1.00	72.0	12.323	208-230/460	9
0.75	0.55	3600	56C	.7536ES3E56C-S	\$311	F1	25	1.15	1.10	72.0	11.535	208-230/460	9
		3600	56C	.7536ES3H56C-S	\$310	F1	25	1.15	0.90	72.0	11.535	575	9
		1800	56C	.7518ES3E56C-S	\$332	F1	28	1.15	1.20	78.5	11.929	208-230/460	9
		1800	56C	.7518ES3H56C-S	\$333	F1	28	1.15	1.00	78.5	11.929	575	9
		1200	56HC	.7512ES3E56C-S	\$449	F1	34	1.15	1.30	75.5	12.716	208-230/460	9
1	0.75	3600	W56C	00136ET3EW56C-S	\$420	F1	25	1.15	1.50	78.5	11.106	230/460	9
		3600	W56C	00136ET3HW56C-S	\$420	F1	25	1.15	1.20	78.5	11.106	575	9
		1800	56C	00118ET3E56C-S	\$407	F1	41	1.15	1.50	85.5	13.504	230/460	9
		1800	56C	00118ET3H56C-S	\$407	F1	41	1.15	1.20	85.5	13.504	575	9
		1200	56HC	00112ET3E56C-S	\$525	F1	42	1.15	1.60	82.5	13.504	230/460	9
1.5	1.1	3600	56C	00156ET3E56C-S	\$461	F1	37	1.15	1.90	84.0	13.109	230/460	9
		3600	56C	00156ET3H56C-S	\$461	F1	37	1.15	1.50	84.0	13.109	575	9
		1800	56HC	00158ET3E56C-S	\$463	F1	44	1.15	2.00	86.5	13.504	230/460	9
		1800	56HC	00158ET3H56C-S	\$463	F1	44	1.15	1.60	86.5	13.504	575	9
2	1.5	3600	56HC	00236ET3E56C-S	\$517	F1	44	1.15	2.50	85.5	13.898	230/460	9
		3600	56HC	00236ET3H56C-S	\$517	F1	44	1.15	2.00	85.5	13.898	575	9
		1800	56HC	00218ET3E56C-S	\$506	F1	46	1.15	2.70	86.5	13.898	230/460	9
3	2.2	3600	56HC	00336ET3E56C-S	\$606	F1	54	1.15	3.50	86.5	15.079	230/460	9
		3600	56HC	00336ET3H56C-S	\$606	F1	54	1.15	2.80	86.5	15.079	575	9

Please refer to back cover for description of "NOTES"

For detailed specifications, data sheets, drawings and performance curves visit [http:// www.weg.net](http://www.weg.net)

Data subject to change without notice.

Can't find what you are looking for? Call 1-800-ASK-4WEG (275-4934)

# Fractional Motors



THREE -PHASE

## TEFC - C-Face - Footless

HP	kW	RPM	Frame	Catalog Number	List Price	Mult. Symbol	Approx. Shipping Weight (lbs)	Service Factor	FL Amps @ High	FL. Eff (%)	"C" Dimension (in)	Voltage (V)	Notes
0.33	0.25	3600	56C	.3336ES3E56CFL-S	\$270	F1	22	1.15	0.60	62.0	11.142	208-230/460	9;20
		3600	56C	.3336ES3H56CFL-S	\$270	F1	22	1.15	0.50	62.0	11.142	575	9;20
		1800	56C	.3318ES3E56CFL-S	\$274	F1	24	1.15	0.60	74.0	11.535	208-230/460	9;20
0.5	0.37	3600	56C	.5036ES3E56CFL-S	\$282	F1	24	1.15	0.80	68.0	11.535	208-230/460	9;20
		1800	56C	.5018ES3E56CFL-S	\$311	F1	26	1.15	0.90	77.0	11.535	208-230/460	9;20
		1800	56C	.5018ES3H56CFL-S	\$312	F1	26	1.15	0.70	77.0	11.535	575	9;20
		1200	56C	.5012ES3E56CFL-S	\$440	F1	31	1.15	1.00	72.0	12.323	208-230/460	9;20
		1200	56C	.5012ES3H56CFL-S	\$441	F1	31	1.15	0.80	72.0	12.323	575	9;20
0.75	0.55	3600	56C	.7536ES3E56CFL-S	\$311	F1	25	1.15	1.10	72.0	11.535	208-230/460	9;20
		3600	56C	.7536ES3H56CFL-S	\$312	F1	25	1.15	0.90	72.0	11.535	575	9;20
		1800	56C	.7518ES3E56CFL-S	\$332	F1	28	1.15	1.20	78.5	11.929	208-230/460	9;20
		1800	56C	.7518ES3H56CFL-S	\$333	F1	28	1.15	1.00	78.5	11.929	575	9;20
		1200	56C	.7512ES3E56CFL-S	\$449	F1	34	1.15	1.30	75.5	12.716	208-230/460	9;20
		1200	56C	.7512ES3H56CFL-S	\$450	F1	34	1.15	1.10	75.5	12.716	575	9;20
1	0.75	3600	W56C	00136ET3EW56CFL-S	\$420	F1	25	1.15	1.50	78.5	11.106	230/460	9;20
		1800	56C	00118ET3E56CFL-S	\$407	F1	41	1.15	1.50	85.5	13.504	230/460	9;20
		1800	56C	00118ET3H56CFL-S	\$407	F1	41	1.15	1.20	85.5	13.504	575	9;20
		1200	56C	00112ET3E56CFL-S	\$528	F1	42	1.15	1.60	82.5	13.504	230/460	9;20
		1200	56C	00112ET3H56CFL-S	\$528	F1	42	1.15	1.30	82.5	13.504	575	9;20
1.5	1.1	3600	56C	00156ET3E56CFL-S	\$461	F1	37	1.15	1.90	84.0	13.109	230/460	9;20
		1800	56C	00158ET3E56CFL-S	\$463	F1	44	1.15	2.00	86.5	13.504	230/460	9;20
2	1.5	3600	56C	00236ET3E56CFL-S	\$517	F1	44	1.15	2.50	85.5	13.898	230/460	9;20
		1800	56C	00218ET3E56CFL-S	\$506	F1	46	1.15	2.70	86.5	13.898	230/460	9;20
3	2.2	3600	56C	00336ET3E56CFL-S	\$606	F1	54	1.15	3.50	86.5	15.079	230/460	9;20
		3600	56C	00336ET3H56CFL-S	\$606	F1	54	1.15	2.80	86.5	15.079	575	9;20

Fractional Motors



## TEFC - Footless Mount - Explosion Proof

HP	kW	RPM	Frame	Catalog Number	List Price	Mult. Symbol	Approx. Shipping Weight (lbs)	Service Factor	FL Amps @ High	FL. Eff (%)	"C" Dimension (in)	Voltage (V)	Notes
0.5	0.37	3600	56J	.5036XS3EJPR56J	\$810	XF	24	1.00	0.9	73.1	12.3	230/460	1;3;9;43
0.75	0.55	3600	56J	.7536XS3EJPR56J	\$835	XF	25	1.00	1.2	77.1	12.3	230/460	1;3;9;45
1	0.75	3600	56J	00136XT3EJPR56J	\$1,030	XF	27	1.00	1.6	77	12.43	230/460	1;3;9;47
1.5	1.1	3600	56J	00156XT3EJPR56J	\$1,105	XF	30	1.00	2.1	84	13.3	230/460	1;3;9;49
2	1.5	3600	56J	00236XT3EJPR56J	\$1,153	XF	35	1.00	2.7	85.5	13.3	230/460	1;3;9;51

Please refer to back cover for description of "NOTES"

For detailed specifications, data sheets, drawings and performance curves visit <http://www.weg.net>





### ODP - Foot Mount

HP	kW	RPM	Frame	Catalog Number	List Price	Mult. Symbol	Approx. Shipping Weight (lbs)	Service Factor	FL Amps @ High	FL. Eff (%)	"C" Dimension (in)	Voltage (V)	Notes
0.25	0.18	3600	56	<a href="#">.25360T3E56-S</a>	<b>\$231</b>	F2B	19	1.35	0.46	65.6	10.315	230/460	9
		1800	48	<a href="#">.25180T3E48-S</a>	<b>\$235</b>	F2B	18	1.35	0.48	70.0	9.492	230/460	9
		1800	56	<a href="#">.25180T3E56-S</a>	<b>\$235</b>	F2B	19	1.35	0.53	69.5	9.921	230/460	9
		1200	56	<a href="#">.25120T3E56-S</a>	<b>\$288</b>	F2B	21	1.35	0.55	67.5	10.315	230/460	9
0.33	0.25	3600	56	<a href="#">.33360T3E56-S</a>	<b>\$242</b>	F2B	19	1.35	0.61	69.5	10.315	230/460	9
		1800	56	<a href="#">.33180T3E56-S</a>	<b>\$256</b>	F2B	20	1.35	0.67	73.4	10.315	230/460	9
		1800	56	<a href="#">.33180T3H56-S</a>	<b>\$269</b>	F2B	20	1.35	0.54	73.4	10.315	575	9
		1200	56	<a href="#">.33120T3E56-S</a>	<b>\$333</b>	F2B	22	1.35	0.70	71.4	10.315	230/460	9
0.5	0.37	3600	56	<a href="#">.50360T3E56-S</a>	<b>\$258</b>	F2B	20	1.25	0.81	73.4	10.315	230/460	9
		1800	56	<a href="#">.50180T3E56-S</a>	<b>\$296</b>	F2B	24	1.25	0.86	78.2	10.709	230/460	9
		1800	56	<a href="#">.50180T3H56-S</a>	<b>\$311</b>	F2B	24	1.25	0.69	78.2	10.709	575	9
		1200	56	<a href="#">.50120T3E56-S</a>	<b>\$349</b>	F2B	25	1.25	0.93	75.3	10.709	230/460	9
0.75	0.55	3600	56	<a href="#">.75360T3E56-S</a>	<b>\$305</b>	F2B	22	1.25	1.14	76.8	10.709	230/460	9
		1800	56	<a href="#">.75180T3E56-S</a>	<b>\$330</b>	F2B	27	1.25	1.15	81.1	11.102	230/460	9
		1800	56	<a href="#">.75180T3H56-S</a>	<b>\$347</b>	F2B	27	1.25	0.92	81.1	11.102	575	9
		1200	56H	<a href="#">.75120T3E56-S</a>	<b>\$384</b>	F2B	38	1.15	1.26	81.7	12.677	230/460	9
1	0.75	3600	56	<a href="#">001360T3E56-S</a>	<b>\$355</b>	F2B	23	1.25	1.51	77.0	10.709	230/460	9
		1800	56	<a href="#">001180T3E56-S</a>	<b>\$350</b>	F2B	30	1.15	1.57	83.5	11.495	230/460	9
		1200	56H	<a href="#">001120T3E56-S</a>	<b>\$458</b>	F2B	42	1.15	1.68	82.5	13.070	230/460	9
1.5	1.1	3600	56	<a href="#">001560T3E56-S</a>	<b>\$380</b>	F2B	30	1.15	1.85	84.0	11.889	230/460	9
		1800	56H	<a href="#">001580T3E56-S</a>	<b>\$361</b>	F2B	40	1.15	2.10	86.5	12.677	230/460	9
2	1.5	3600	56H	<a href="#">002360T3E56-S</a>	<b>\$436</b>	F2B	38	1.15	2.42	85.5	12.677	230/460	9
		1800	56H	<a href="#">002180T3E56-S</a>	<b>\$371</b>	F2B	40	1.15	2.69	86.5	12.677	230/460	9
3	2.2	3600	56H	<a href="#">003360T3E56-S</a>	<b>\$485</b>	F2B	42	1.15	3.59	85.5	13.070	230/460	9
		1800	56HZ	<a href="#">003180T3E56Z-S</a>	<b>\$481</b>	F2B	48	1.15	3.97	86.9	13.071	230/460	9

Please refer to back cover for description of "NOTES"

For detailed specifications, data sheets, drawings and performance curves visit [http:// www.weg.net](http://www.weg.net)

Data subject to change without notice.

Can't find what you are looking for? Call 1-800-ASK-4WEG (275-4934)

# Fractional Motors



THREE -PHASE

ODP - C-Face - Foot Mount

HP	kW	RPM	Frame	Catalog Number	List Price	Mult. Symbol	Approx. Shipping Weight (lbs)	Service Factor	FL Amps @ High	FL. Eff (%)	"C" Dimension (in)	Voltage (V)	Notes
0.25	0.18	3600	56C	<a href="#">.25360T3E56C-S</a>	<b>\$259</b>	F2B	19	1.35	0.46	65.6	10.315	230/460	9
		1800	56C	<a href="#">.25180T3E56C-S</a>	<b>\$263</b>	F2B	19	1.35	0.53	69.5	9.921	230/460	9
		1200	56C	<a href="#">.25120T3E56C-S</a>	<b>\$316</b>	F2B	21	1.35	0.55	67.5	10.315	230/460	9;51
0.33	0.25	3600	56C	<a href="#">.33360T3E56C-S</a>	<b>\$270</b>	F2B	19	1.35	0.61	69.5	10.315	230/460	9
		1800	56C	<a href="#">.33180T3E56C-S</a>	<b>\$284</b>	F2B	20	1.35	0.67	73.4	10.315	230/460	9
		1200	56C	<a href="#">.33120T3E56C-S</a>	<b>\$361</b>	F2B	22	1.35	0.70	71.4	10.315	230/460	9
0.5	0.37	3600	56C	<a href="#">.50360T3E56C-S</a>	<b>\$286</b>	F2B	20	1.25	0.81	73.4	10.315	230/460	9
		1800	56C	<a href="#">.50180T3E56C-S</a>	<b>\$324</b>	F2B	24	1.25	0.86	78.2	10.709	230/460	9
		1200	56C	<a href="#">.50120T3E56C-S</a>	<b>\$377</b>	F2B	25	1.25	0.93	75.3	10.709	230/460	9
0.75	0.55	3600	56C	<a href="#">.75360T3E56C-S</a>	<b>\$333</b>	F2B	22	1.25	1.14	76.8	10.709	230/460	9
		1800	56C	<a href="#">.75180T3E56C-S</a>	<b>\$358</b>	F2B	27	1.25	1.15	81.1	11.102	230/460	9
		1800	56C	<a href="#">.75180T3H56C-S</a>	<b>\$358</b>	F2B	27	1.25	0.92	81.1	11.102	575	9
		1200	56HC	<a href="#">.75120T3E56C-S</a>	<b>\$412</b>	F2B	38	1.15	1.26	81.7	12.677	230/460	9
1	0.75	3600	56C	<a href="#">001360T3E56C-S</a>	<b>\$383</b>	F2B	23	1.25	1.51	77.0	10.709	230/460	9
		1800	56C	<a href="#">001180T3E56C-S</a>	<b>\$378</b>	F2B	30	1.15	1.57	83.5	11.495	230/460	9
		1200	56HC	<a href="#">001120T3E56C-S</a>	<b>\$486</b>	F2B	42	1.15	1.68	82.5	13.070	230/460	9
1.5	1.1	3600	56C	<a href="#">001560T3E56C-S</a>	<b>\$408</b>	F2B	30	1.15	1.85	84.0	11.889	230/460	9
		1800	56HC	<a href="#">001580T3E56C-S</a>	<b>\$389</b>	F2B	40	1.15	2.10	86.5	12.677	230/460	9
2	1.5	3600	56HC	<a href="#">002360T3E56C-S</a>	<b>\$464</b>	F2B	38	1.15	2.42	85.5	12.677	230/460	9
		1800	56HC	<a href="#">002180T3E56C-S</a>	<b>\$399</b>	F2B	40	1.15	2.69	86.5	12.677	230/460	9
3	2.2	3600	56HC	<a href="#">003360T3E56C-S</a>	<b>\$513</b>	F2B	42	1.15	3.59	85.5	13.070	230/460	9

Fractional Motors

Please refer to back cover for description of "NOTES"

For detailed specifications, data sheets, drawings and performance curves visit [http:// www.weg.net](http://www.weg.net)



### ODP - C-Face - Footless

HP	kW	RPM	Frame	Catalog Number	List Price	Mult. Symbol	Approx. Shipping Weight (lbs)	Service Factor	FL Amps @ High	FL. Eff (%)	"C" Dimension (in)	Voltage (V)	Notes
0.25	0.18	1800	56C	<a href="#">.25180T3E56CFL-S</a>	\$263	F2B	19	1.35	0.53	66.0	9.921	230/460	9;20
		1800	56C	<a href="#">.25180T3H56CFL-S</a>	\$263	F2B	19	1.35	0.42	69.5	9.921	575	9;20
0.33	0.25	3600	56C	<a href="#">.33360T3E56CFL-S</a>	\$270	F2B	19	1.35	0.61	69.5	10.315	230/460	9;20
		1800	56C	<a href="#">.33180T3E56CFL-S</a>	\$284	F2B	20	1.35	0.67	73.4	10.315	230/460	9;20
		1800	56C	<a href="#">.33180T3H56CFL-S</a>	\$284	F2B	20	1.35	0.54	73.4	10.315	575	9;20
0.5	0.37	3600	56C	<a href="#">.50360T3E56CFL-S</a>	\$286	F2B	20	1.25	0.81	73.4	10.315	230/460	9;20
		1800	56C	<a href="#">.50180T3E56CFL-S</a>	\$324	F2B	24	1.25	0.86	78.2	10.709	230/460	9;20
		1800	56C	<a href="#">.50180T3H56CFL-S</a>	\$324	F2B	24	1.25	0.69	78.2	10.709	575	9;20
0.75	0.55	3600	56C	<a href="#">.75360T3E56CFL-S</a>	\$333	F2B	22	1.25	1.14	76.8	10.709	230/460	9;20
		1800	56C	<a href="#">.75180T3E56CFL-S</a>	\$358	F2B	27	1.25	1.15	81.1	11.102	230/460	9;20
		1800	56C	<a href="#">.75180T3H56CFL-S</a>	\$358	F2B	27	1.25	0.92	81.1	11.102	575	9;20
1	0.75	3600	56C	<a href="#">001360T3E56CFL-S</a>	\$383	F2B	23	1.25	1.51	77.0	10.709	230/460	9;20
		1800	56C	<a href="#">001180T3E56CFL-S</a>	\$378	F2B	30	1.15	1.57	83.5	11.495	230/460	9;20
		1800	56C	<a href="#">001180T3H56CFL-S</a>	\$378	F2B	30	1.15	1.26	83.5	11.495	575	9;20
1.5	1.1	3600	56C	<a href="#">001560T3E56CFL-S</a>	\$408	F2B	30	1.15	1.85	84.0	11.889	230/460	9;20
		1800	56C	<a href="#">001580T3E56CFL-S</a>	\$389	F2B	40	1.15	2.10	86.5	12.677	230/460	9;20
		1800	56C	<a href="#">001580T3H56CFL-S</a>	\$389	F2B	40	1.15	1.68	86.5	12.677	575	9;20
2	1.5	3600	56C	<a href="#">002360T3E56CFL-S</a>	\$464	F2B	38	1.15	2.42	85.5	12.677	230/460	9;20
		1800	56C	<a href="#">002180T3E56CFL-S</a>	\$399	F2B	40	1.15	2.69	86.5	12.677	230/460	9;20
		1800	56C	<a href="#">002180T3H56CFL-S</a>	\$399	F2B	40	1.15	2.15	86.5	12.677	575	9;20
3	2.2	3600	56C	<a href="#">003360T3E56CFL-S</a>	\$513	F2B	42	1.15	3.59	85.5	13.070	230/460	9;20



### ODP - Three-Phase - Resilient Base

HP	kW	RPM	Frame	Catalog Number	List Price	Mult. Symbol	Approx. Shipping Weight (lbs)	Service Factor	FL Amps @ High	FL. Eff (%)	"C" Dimension (in)	Voltage (V)	Notes
0.33	0.25	1800	56	<a href="#">.33180T3ERB56-S</a>	\$314	F2B	22	1.35	0.67	73.4	10.827	230/460	9;13
0.5	0.37	1800	56	<a href="#">.50180T3ERB56-S</a>	\$354	F2B	25	1.25	0.86	78.2	11.220	230/460	9;13
0.75	0.55	1800	56	<a href="#">.75180T3ERB56-S</a>	\$388	F2B	28	1.25	1.15	81.1	11.614	230/460	9;13
1	0.75	1800	56	<a href="#">001180T3ERB56-S</a>	\$408	F2B	31	1.15	1.57	83.5	12.008	230/460	9;13
1.5	1.1	1800	56H	<a href="#">001580T3ERB56-S</a>	\$419	F2B	42	1.15	2.10	86.5	13.189	230/460	9;13

Please refer to back cover for description of "NOTES"

For detailed specifications, data sheets, drawings and performance curves visit [http:// www.weg.net](http://www.weg.net)

Data subject to change without notice.

Can't find what you are looking for? Call 1-800-ASK-4WEG (275-4934)

## DC MOTORS

### NEMA 56 PMDC Motors

- UL recognized; Also CE and RoHs listed
- Replaceable brushes
- ¼ HP thru ½ HP ratings have a 4.45" frame/tube OD
- ¾ HP and 1.0 HP ratings have a 4.85" frame/tube OD
- Optional Low Voltage (12V or 24V), or TENV Enclosed



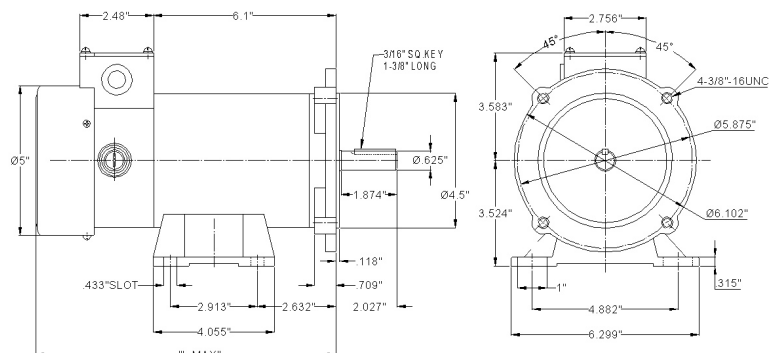
Catalog Number	HP	Voltage	Current	Speed	INSUL	Torque	L Max	List Price	Multiplier
			(Amp)	(RPM)	Class	(In/lbs)	(inches)		
MT-031	0.25	90	2.9	1750	F	9	9.63	\$516	DC1
MT-041	0.25	180	1.39	1750	F	9	9.63	\$516	DC1
MT-033	0.33	90	3.7	1750	F	12	9.63	\$563	DC1
MT-042	0.33	180	1.85	1750	F	12	9.63	\$563	DC1
MT-032	0.5	90	5.3	1750	F	18	10.24	\$644	DC1
MT-043	0.5	180	2.78	1750	F	18	10.24	\$644	DC1
MT-035	0.75	90	7.8	1750	F	27	11.67	\$791	DC1
MT-044	0.75	180	3.9	1750	F	27	11.67	\$791	DC1
MT-034	1	90	10.4	1750	F	36	13.05	\$930	DC1
MT-037	1	180	5.2	1750	F	36	13.05	\$930	DC1

### NEMA 145TC PMDC Motors

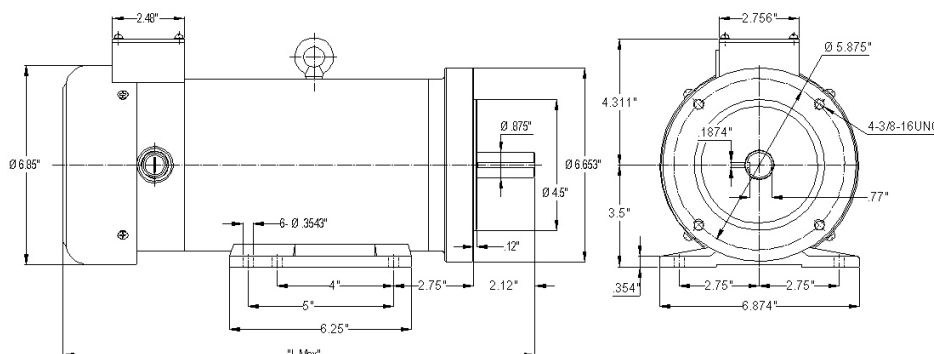
- Optional 90V ratings for both 1.5 HP and 2.0 HP ratings

Catalog Number	HP	Voltage	Current	Speed	INSUL	Torque	L Max	List Price	Multiplier
			(Amp)	(RPM)	Class	(In/lbs)	(inches)		
MT-038	1.5	180	8	1750	F	54	15.6	\$1,151	DC1
MT-039	2	180	9.5	1750	F	72	16.5	\$2,093	DC1
MT-040	3	180	14	1750	F	108	18.7	\$2,930	DC1

NEMA 56 Dimensions

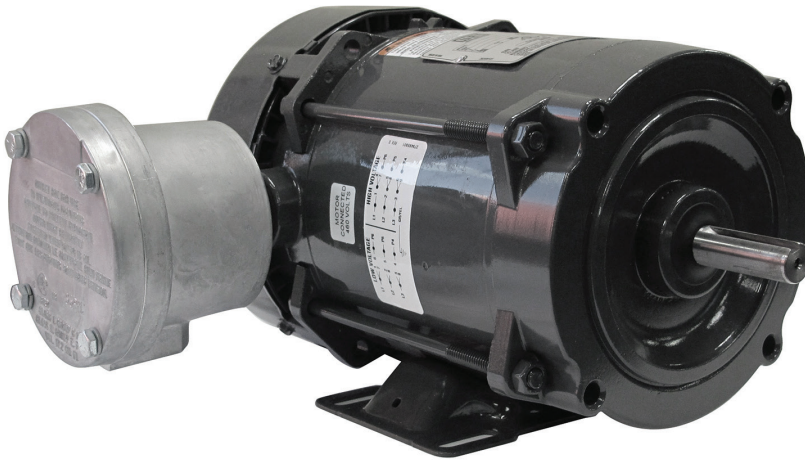


NEMA 145TC Dimensions



Please refer to back cover for description of "NOTES", drawings and performance curves visit <http://www.weg.net>

# Fractional Explosion Proof Motors



## Features:

- Class F insulation
- 1.0 service factor
- Foot mount motors with and without C-flange
- Class I, Division 1 – Group C & D and Class II, Division 1 – Group E, F & G – T3B
- Thermally Protected
- 24" long leads for remote wiring
- Aluminum endshields
- Not rated for VFD

## Features that make a difference:

- 50°C ambient temperature rating
- Three-Phase motors also rated for 50Hz
- Unassembled aluminum conduit box included

Please contact your authorized WEG distributor or go to [weg.net](http://weg.net) for further information or additional specifications. **1-800-ASK-4WEG**

# Fractional Motors



## EXPLOSION PROOF SINGLE PHASE



### Foot Mount

HP	kW	RPM	Frame	Catalog Number	List Price	Mult. Symbol	Approx. Shipping Weight (lbs)	Service Factor	FL Amps @ High	FL. Eff (%)	"C" Dimension (in)	Voltage (V)	Notes
0.33	0.25	3600	56	.3336XS1B56	\$612	XF	23	1.00	2.60	59.7	11.790	115/208-230	1;3;9;42
		1800	56	.3318XS1B56	\$670	XF	25	1.00	3.00	60.4	11.790	115/208-230	1;3;9;42
0.5	0.37	3600	56	.5036XS1B56	\$636	XF	26	1.00	3.40	66.7	12.040	115/208-230	1;3;9;42
		1800	56	.5018XS1B56	\$739	XF	27	1.00	4.20	62.4	12.290	115/208-230	1;3;9;42
0.75	0.55	3600	56	.7536XS1B56	\$717	XF	30	1.00	4.30	74.5	12.540	115/208-230	1;3;9;42
		1800	56	.7518XS1B56	\$868	XF	34	1.00	4.52	70.8	13.040	115/208-230	1;3;9;42
1	0.75	3600	56	00136XS1B56	\$774	XF	32	1.00	5.30	76.5	13.040	115/208-230	1;3;9;42
		1800	56	00118XS1B56	\$988	XF	37	1.00	6.30	74.8	13.790	115/208-230	1;3;9;42
1.5	1.1	3600	56	00156XS1C56	\$1,121	XF	38	1.00	7.80	80.0	14.040	208-230	1;3;9;42
		1800	56H	00158XS1C56H	\$1,324	XF	48	1.00	7.80	80.0	15.420	208-230	1;3;9;42
2	1.5	3600	56H	00236XS1C56H	\$1,408	XF	43	1.00	9.80	81.1	14.540	208-230	1;3;9;42



### C-Face - Foot Mount

HP	kW	RPM	Frame	Catalog Number	List Price	Mult. Symbol	Approx. Shipping Weight (lbs)	Service Factor	FL Amps @ High	FL. Eff (%)	"C" Dimension (in)	Voltage (V)	Notes
0.33	0.25	3600	56C	.3336XS1B56C	\$737	XF	23	1.00	2.60	59.7	11.790	115/208-230	1;3;9;42
		1800	56C	.3318XS1B56C	\$816	XF	25	1.00	3.00	60.4	11.790	115/208-230	1;3;9;42
0.5	0.37	3600	56C	.5036XS1B56C	\$717	XF	26	1.00	3.40	66.7	12.040	115/208-230	1;3;9;42
		1800	56C	.5018XS1B56C	\$817	XF	27	1.00	4.20	62.4	12.290	115/208-230	1;3;9;42
0.75	0.55	3600	56C	.7536XS1B56C	\$773	XF	30	1.00	4.30	74.5	12.540	115/208-230	1;3;9;42
		1800	56C	.7518XS1B56C	\$912	XF	34	1.00	4.52	70.8	13.040	115/208-230	1;3;9;42
1	0.75	3600	56C	00136XS1B56C	\$814	XF	32	1.00	5.30	76.5	13.040	115/208-230	1;3;9;42
		1800	56C	00118XS1B56C	\$1,036	XF	37	1.00	6.30	74.8	13.790	115/208-230	1;3;9;42
1.5	1.1	3600	56C	00156XS1C56C	\$1,274	XF	38	1.00	7.80	80.0	14.040	208-230	1;3;9;42
		1800	56HC	00158XS1C56HC	\$1,420	XF	48	1.00	7.80	80.0	15.420	208-230	1;3;9;42
2	1.5	3600	56HC	00236XS1C56HC	\$1,457	XF	43	1.00	9.80	81.1	14.540	208-230	1;3;9;42

Fractional Motors

Please refer to back cover for description of "NOTES"

For detailed specifications, data sheets, drawings and performance curves visit <http://www.weg.net>



### Foot Mount

HP	kW	RPM	Frame	Catalog Number	List Price	Mult. Symbol	Approx. Shipping Weight (lbs)	Service Factor	FL Amps @ High	FL. Eff (%)	"C" Dimension (in)	Voltage (V)	Notes
0.33	0.25	3600	56	.3336XS3E56	\$650	XF	21	1.00	0.60	69.8	10.520	230/460	1;3;9;42
		1800	56	.3318XS3E56	\$713	XF	23	1.00	0.60	76.7	10.520	230/460	1;3;9;17;42
0.5	0.37	3600	56	.5036XS3E56	\$782	XF	24	1.00	0.90	73.1	11.790	230/460	1;3;9;42
		1800	56	.5018XS3E56	\$741	XF	27	1.00	0.85	79.1	11.920	230/460	1;3;9;42
0.75	0.55	3600	56	.7536XS3E56	\$815	XF	25	1.00	1.20	77.1	11.790	230/460	1;3;9;42
		1800	56	.7518XS3E56	\$817	XF	28	1.00	1.40	78.6	12.290	230/460	1;3;9;42
1	0.75	3600	56	00136XT3E56	\$858	XF	27	1.00	1.60	77.0	11.920	230/460	1;3;9;42
		1800	56	00118XT3E56	\$922	XF	31	1.00	1.60	85.5	13.660	230/460	1;3;9;42
1.5	1.1	3600	56	00156XT3E56	\$1,050	XF	30	1.00	2.10	84.0	12.780	230/460	1;3;9;42
		1800	56H	00158XT3E56H	\$1,003	XF	41	1.00	2.10	86.5	14.540	230/460	1;3;9;42
2	1.5	3600	56H	00236XT3E56H	\$1,171	XF	35	1.00	2.70	85.5	14.040	230/460	1;3;9;42
		1800	56H	00218XT3E56H	\$1,090	XF	48	1.00	2.70	86.5	15.040	230/460	1;3;9;42



### C-Face - Foot Mount

HP	kW	RPM	Frame	Catalog Number	List Price	Mult. Symbol	Approx. Shipping Weight (lbs)	Service Factor	FL Amps @ High	FL. Eff (%)	"C" Dimension (in)	Voltage (V)	Notes
0.33	0.25	3600	56C	.3336XS3E56C	\$821	XF	21	1.00	0.60	69.8	10.520	208-230/460	1;3;9;42
		1800	56C	.3318XS3E56C	\$877	XF	23	1.00	0.60	76.7	10.520	208-230/460	1;3;9;17;42
0.5	0.37	3600	56C	.5036XS3E56C	\$856	XF	24	1.00	0.90	73.1	11.790	208-230/460	1;3;9;42
		1800	56C	.5018XS3E56C	\$926	XF	27	1.00	0.85	79.1	11.920	208-230/460	1;3;9;42
0.75	0.55	3600	56C	.7536XS3E56C	\$884	XF	25	1.00	1.20	77.1	11.790	208-230/460	1;3;9;42
		1800	56C	.7518XS3E56C	\$944	XF	28	1.00	1.40	78.6	12.290	208-230/460	1;3;9;42
1	0.75	3600	56C	00136XT3E56C	\$924	XF	27	1.00	1.60	77.0	11.920	230/460	1;3;9;42
		1800	56C	00118XT3E56C	\$1,007	XF	31	1.00	1.60	82.2	13.660	230/460	1;3;9;42
1.5	1.1	3600	56C	00156XT3E56C	\$1,038	XF	30	1.00	2.10	84.0	12.780	230/460	1;3;9;42
		1800	56HC	00158XT3E56HC	\$1,011	XF	41	1.00	2.10	86.5	14.540	230/460	1;3;9;42
2	1.5	3600	56HC	00236XT3E56HC	\$1,125	XF	35	1.00	2.70	85.5	14.040	230/460	1;3;9;42
		1800	56HC	00218XT3E56HC	\$1,162	XF	48	1.00	2.70	86.5	15.040	230/460	1;3;9;42

Please refer to back cover for description of "NOTES"

For detailed specifications, data sheets, drawings and performance curves visit <http://www.weg.net>

Data subject to change without notice.

Can't find what you are looking for? Call 1-800-ASK-4WEG (275-4934)

## COMMERCIAL HVAC MOTORS

TEFC – Single-Phase – Foot Mount	A-178
TEAO – Single-Phase – Resilient Base	A-178
TEAO – Single-Phase – Foot Mount	A-178
ODP – Single-Phase – Foot Mount	A-179
ODP – Single-Phase – Resilient Base	A-180
ODP – Three-Phase – Resilient Base	A-181
ODP – Single-Phase – Evaporative Cooler	A-181

## HVAC MOTORS - WITH INTERNAL AEGIS® SGR

TEFC – Three-Phase – Foot Mount	A-182
ODP – Three-Phase – Foot Mount	A-186

## COOLING TOWER MOTORS – THREE-PHASE

TEFC – Three-Phase – Foot Mount – NEMA Premium®	A-190
TEAO – Three-Phase – Foot Mount – NEMA Premium®	A-193
TEFC – Three-Phase – Double Speed (1 & 2 Windings) – High Efficiency	A-195

## PAD MOUNT MOTORS – Three-Phase

TEAO – NEMA Premium®	A-199
----------------------	-------



# Air Handling Motors

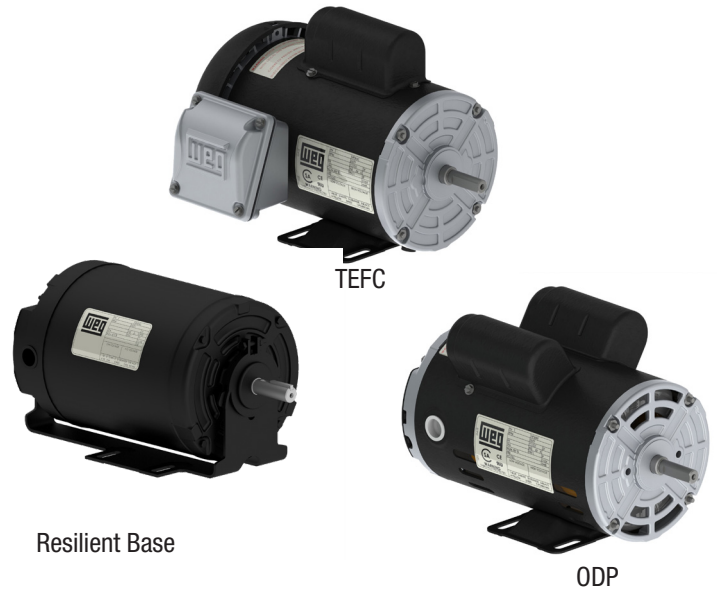
## COMMERCIAL HVAC MOTORS

### TEFC and ODP – Single Phase

High Starting Torque makes these motors ideal for a wide range of applications.

#### Standard Features:

- Ball bearings
- Class F insulation



#### Features that make a difference:

- High Starting Torque
- TEFC motors are rated IP55 (gasketed conduit box and capacitor cover)



### TEFC and ODP – Three Phase

#### Features that make a difference:

- New ventilation system for improved thermal performance
- Robust feet design suitable for tougher applications
- New and more robust eyebolts design (frames 182/4T and up) plus a second eyebolt on non-drive end allowing vertical lifting capability (frames 213/5T and 254/6T)
- Oversized diagonally split aluminum terminal box that exceeds IP55 requirements
- Terminal box rotatable in 90 degree increments for flexibility during installation
- Color coded leads as standard for easy wiring - (rolled steel only)
- Regreasable ball bearings on 254/6T frame as standard (optional for 182/4T and 213/5T)
- IP55 Ingress Protection as standard, being appropriate for severe environments - (TEFC only)
- Bearing cap as standard on flanged motors, optional on non flanged
- Suitable for VFD operation as per NEMA MG1 part 31.4.4.2
- Motor frame painting system 500 hours salt spray resistant



Please refer to back cover for description of "NOTES"

For detailed specifications, data sheets, drawings and performance curves visit <http://www.weg.net>

Data subject to change without notice.

Can't find what you are looking for? Call 1-800-ASK-4WEG (275-4934) **A-177**

# Air Handling Motors



## COMMERCIAL HVAC MOTORS

### TEFC - Single-Phase - Foot Mount

HP	kW	RPM	Frame	Catalog Number	List Price	Mult. Symbol	Approx. Shipping Weight (lbs)	Service Factor	FL Amps @ High	FL Eff (%)	"C" Dimension (in)	Voltage (V)	Notes
0.25	0.18	3600	W56	.2536ES1BW56-S	\$257	F1	20	1.15	2.10	50.0	10.713	115/208-230	9
		1800	W56	.2518ES1BW56-S	\$267	F1	20	1.15	2.30	57.0	11.106	115/208-230	9
0.33	0.25	3600	W56	.3336ES1BW56-S	\$267	F1	23	1.15	2.60	54.0	11.106	115/208-230	9
		1800	W56	.3318ES1BW56-S	\$283	F1	22	1.15	3.00	61.0	11.500	115/208-230	9
0.5	0.37	3600	W56	.5036ES1BW56-S	\$284	F1	24	1.15	3.50	60.0	11.500	115/208-230	9
		3600	W56	.5036ES1BOLW56-S	\$316	F1	24	1.15	3.50	60.0	11.500	115/208-230	4;9
		1800	W56	.5018ES1BW56-S	\$312	F1	24	1.15	4.00	64.0	11.894	115/208-230	9
		1200	W56	.5012ES1B56-S	\$512	F1	38	1.15	3.20	71.0	13.508	115/208-230	9
0.75	0.55	3600	56	.7536ES1BOL56-S	\$329	F1	31	1.15	4.00	66.0	12.721	115/208-230	4;9
		3600	56	.7536ES1B56-S	\$297	F1	31	1.15	4.00	66.0	12.721	115/208-230	9
		1800	56	.7518ES1B56-S	\$348	F1	33	1.15	5.30	68.5	13.114	115/208-230	9
		1200	56H	.7512ES1B56-S	\$648	F1	44	1.15	4.70	70.0	14.295	115/208-230	9
1	0.75	3600	56	00136ES1BOL56-S	\$408	F1	35	1.15	5.10	70.0	13.114	115/208-230	4;9
		3600	56	00136ES1B56-S	\$376	F1	34	1.15	5.10	70.0	13.114	115/208-230	9
		1800	56	00118ES1B56-S	\$401	F1	39	1.15	6.80	71.0	13.902	115/208-230	9
1.5	1.1	3600	56	00156ES1B56-S	\$432	F1	39	1.15	6.60	75.0	13.902	115/208-230	9
		3600	56	00156ES1BOL56-S	\$463	F1	39	1.15	6.60	75.0	13.902	115/208-230	4;9
		1800	56H	00158ES1B56-S	\$456	F1	40	1.15	7.50	77.0	15.083	115/208-230	9
2	1.5	3600	56H	00236ES1BOL56-S	\$592	F1	44	1.15	8.70	77.0	14.295	115/208-230	4;9
		3600	56H	00236ES1B56-S	\$561	F1	44	1.15	8.70	77.0	14.295	115/208-230	9



### TEAO - Single-Phase - Resilient Base

HP	kW	RPM	Frame	Catalog Number	List Price	Mult. Symbol	Approx. Shipping Weight (lbs)	Service Factor	FL Amps @ High	FL Eff (%)	"C" Dimension (in)	Voltage (V)	Notes
0.33	0.25	1800	48	.3318ES1BRBPFC48	\$325	G1	27	1.25	3.00	64.0	11.339	115/208-230	3;9;13;16
0.5	0.37	1800	C56	.5018ES1BRBPFC56	\$350	G1	29	1.25	4.20	65.0	11.732	115/208-230	3;9;13;16
0.75	0.55	1800	B56	.7518ES1BRBPFB56	\$400	G1	35	1.25	5.60	70.0	11.811	115/208-230	3;9;13
1	0.75	1800	D56	00118ES1BRBPFD56	\$435	G1	42	1.15	7.00	72.0	12.992	115/208-230	3;9;13



### TEAO - Single-Phase - Foot Mount

HP	kW	RPM	Frame	Catalog Number	List Price	Mult. Symbol	Approx. Shipping Weight (lbs)	Service Factor	FL Amps @ High	FL Eff (%)	"C" Dimension (in)	Voltage (V)	Notes
0.33	0.25	1800	48	.3318ES1BPFC48	\$311	G1	23	1.25	3.00	64.0	10.748	115/208-230	3;9;16
0.5	0.37	1800	C56	.5018ES1BPFC56	\$336	G1	26	1.25	4.20	65.0	11.102	115/208-230	3;9;16
0.75	0.55	1800	B56	.7518ES1BPFB56	\$414	G1	31	1.25	5.60	70.0	11.102	115/208-230	3;9
1	0.75	1800	D56	00118ES1BPFD56	\$410	G1	41	1.15	7.00	72.0	12.283	115/208-230	3;9

Please refer to back cover for description of "NOTES"

For detailed specifications, data sheets, drawings and performance curves visit <http://www.weg.net>



### ODP - Single-Phase - Foot Mount

HP	kW	RPM	Frame	Catalog Number	List Price	Mult. Symbol	Approx. Shipping Weight (lbs)	Service Factor	FL Amps @ High	FL. Eff (%)	"C" Dimension (in)	Voltage (V)	Notes
0.12	0.09	1800	48	<a href="#">.12180S1B48-S</a>	<b>\$201</b>	F1B	18	1.40	1.40	50.0	9.098	115/208-230	9
		3600	48	<a href="#">.16360S1B48-S</a>	<b>\$216</b>	F1B	21	1.35	1.40	53.0	9.098	115/208-230	9
0.16	0.12	1800	48	<a href="#">.16180S1B48-S</a>	<b>\$208</b>	F1B	22	1.35	1.70	53.0	9.098	115/208-230	9
		3600	48	<a href="#">.25360T1B48-S</a>	<b>\$253</b>	F2B	19	1.35	1.30	66.6	9.492	115/208-230	9
0.25	0.18	3600	W56	<a href="#">.25360T1BW56-S</a>	<b>\$253</b>	F2B	19	1.35	1.30	66.6	9.866	115/208-230	9
		1800	48	<a href="#">.25180T1B48-S</a>	<b>\$241</b>	F2B	18	1.35	1.60	68.5	9.492	115/208-230	9
		1800	W56	<a href="#">.25180T1BW56-S</a>	<b>\$241</b>	F2B	19	1.35	1.60	68.5	9.866	115/208-230	9
		3600	48	<a href="#">.33360T1B48-S</a>	<b>\$256</b>	F2B	23	1.35	1.60	70.5	9.886	115/208-230	9
0.33	0.25	3600	W56	<a href="#">.33360T1BW56-S</a>	<b>\$257</b>	F2B	23	1.35	1.60	70.5	10.260	115/208-230	9
		1800	48	<a href="#">.33180T1B48-S</a>	<b>\$275</b>	F2B	20	1.35	2.10	72.4	9.886	115/208-230	9
		1800	W56	<a href="#">.33180T1BW56-S</a>	<b>\$275</b>	F2B	21	1.35	2.10	72.4	10.260	115/208-230	9
		3600	48	<a href="#">.50360T1B48-S</a>	<b>\$276</b>	F2B	23	1.25	2.40	72.4	9.886	115/208-230	9
0.5	0.37	3600	W56	<a href="#">.50360T1BW56-S</a>	<b>\$282</b>	F2B	24	1.25	2.40	72.4	10.260	115/208-230	9
		1800	48	<a href="#">.50180T1B48-S</a>	<b>\$318</b>	F2B	23	1.25	2.80	76.2	10.280	115/208-230	9
		1800	W56	<a href="#">.50180T1BW56-S</a>	<b>\$307</b>	F2B	23	1.25	2.80	76.2	10.654	115/208-230	9
		3600	56	<a href="#">.75360T1B56-S</a>	<b>\$320</b>	F2B	30	1.25	3.40	76.2	11.890	115/208-230	9
0.75	0.55	1800	56	<a href="#">.75180T1B56-S</a>	<b>\$387</b>	F2B	38	1.25	3.40	81.8	11.890	115/208-230	9
		3600	56	<a href="#">001360T1B56-S</a>	<b>\$347</b>	F2B	35	1.25	4.30	80.4	11.890	115/208-230	9
1	0.75	1800	56	<a href="#">001180T1B56-S</a>	<b>\$421</b>	F2B	41	1.15	4.50	82.6	12.677	115/208-230	9
		1800	56	<a href="#">001180T1B056-S</a>	<b>\$438</b>	F2B	41	1.15	4.50	82.6	12.677	115/208-230	3;9
		3600	56	<a href="#">001560T1B56-S</a>	<b>\$393</b>	F2B	38	1.15	6.20	81.5	12.284	115/208-230	9
1.5	1.1	1800	56H	<a href="#">001580T1B56-S</a>	<b>\$523</b>	F2B	49	1.15	6.80	83.8	13.071	115/208-230	9
		1800	56H	<a href="#">001580T1B056-S</a>	<b>\$541</b>	F2B	50	1.15	6.80	83.8	13.465	115/208-230	3;9
		3600	56H	<a href="#">002360T1B56-S</a>	<b>\$485</b>	F2B	43	1.15	8.40	82.9	12.677	115/208-230	9
2	1.5	1800	56H	<a href="#">002180T1B56-S</a>	<b>\$626</b>	F2B	54	1.15	9.30	84.5	13.465	115/208-230	9
		3600	56H	<a href="#">003360T1B56-S</a>	<b>\$568</b>	F2B	52	1.15	12.2	84.1	13.465	115/208-230	9

Air Handling Motors

Please refer to back cover for description of "NOTES"

For detailed specifications, data sheets, drawings and performance curves visit <http://www.weg.net>

Data subject to change without notice.

Can't find what you are looking for? Call 1-800-ASK-4WEG (275-4934)

# Air Handling Motors

## COMMERCIAL HVAC MOTORS



### ODP - Single-Phase - Resilient Base

HP	kW	RPM	Frame	Catalog Number	List Price	Mult. Symbol	Approx. Shipping Weight (lbs)	Service Factor	FL Amps @ High	FL. Eff (%)	"C" Dimension (in)	Voltage (V)	Notes
0.16	0.12	1800	48Z	<b>.16180S1ASPRB048Z-S</b>	<b>\$272</b>	F1B	21	1.35	3.00	50.5	10.138	115	3;9;13;16
		1800	48Z	<b>.16180S1ASPRB48Z-S</b>	<b>\$260</b>	F1B	21	1.35	3.00	50.5	10.138	115	9;13;16
0.25	0.18	1800	48Z	<b>.25180S1BSPRB048Z-S</b>	<b>\$274</b>	F1B	22	1.35	2.10	55.0	10.138	115/208-230	3;9;13;16
		1800	48Z	<b>.25180S1ASPRB048Z-S</b>	<b>\$274</b>	F1B	22	1.35	4.30	55.0	10.138	115	3;9;13;16
		1800	48Z	<b>.25180S1ASPRB48Z-S</b>	<b>\$262</b>	F1B	22	1.35	4.30	55.0	10.138	115	9;13;16
		1800	W56	<b>.25180S1BRFBOW56-S</b>	<b>\$283</b>	F1B	18	1.35	2.30	57.0	10.138	115/208-230	3;9;13;42
		1800	W56	<b>.25180S1BRFBW56-S</b>	<b>\$271</b>	F1B	18	1.35	2.30	57.0	10.138	115/208-230	9;13;42
0.33	0.25	1800	48Z	<b>.33180S1BSPRB048Z-S</b>	<b>\$284</b>	F1B	24	1.35	2.60	60.8	10.138	115/208-230	3;9;13;16
		1800	48Z	<b>.33180S1BSPRB48Z-S</b>	<b>\$272</b>	F1B	24	1.35	2.60	60.8	10.138	115/208-230	9;13;16
		1800	W56	<b>.33180S1BSPRBOW56-S</b>	<b>\$288</b>	F1B	25	1.35	2.60	62.0	10.138	115/208-230	3;9;13;16
		1800	W56	<b>.33180S1BSPRBW56-S</b>	<b>\$276</b>	F1B	25	1.35	2.60	62.0	10.138	115/208-230	9;13;16
		1800	W56	<b>.33180S1BRFBW56-S</b>	<b>\$281</b>	F1B	20	1.35	3.10	60.0	10.531	115/208-230	9;13;42
		1800	W56	<b>.33180S1BRFBOW56-S</b>	<b>\$293</b>	F1B	20	1.35	3.10	60.0	10.531	115/208-230	3;9;13;42
		1800	W56	<b>.33180T1BRBOW56-S</b>	<b>\$325</b>	F2B	24	1.35	2.10	72.4	10.925	115/208-230	3;9;13
		1800	48Z	<b>.50180S1BSPRB048Z-S</b>	<b>\$311</b>	F1B	29	1.25	3.70	63.5	10.925	115/208-230	3;9;13;16
0.5	0.37	1800	48Z	<b>.50180S1BSPRB48Z-S</b>	<b>\$299</b>	F1B	29	1.25	3.70	63.5	10.925	115/208-230	9;13;16
		1800	W56	<b>.50180S1BRFBOW56-S</b>	<b>\$325</b>	F1B	21	1.25	4.10	63.0	10.925	115/208-230	3;9;13;42
		1800	W56	<b>.50180S1BRFBW56-S</b>	<b>\$313</b>	F1B	21	1.25	4.10	63.0	10.925	115/208-230	9;13;42
		1800	W56	<b>.50180S1BSPRBOW56-S</b>	<b>\$316</b>	F1B	30	1.25	3.70	63.5	10.945	115/208-230	3;9;13;16
		1800	W56	<b>.50180S1BSPRBW56-S</b>	<b>\$304</b>	F1B	30	1.25	3.70	63.5	10.945	115/208-230	9;13;16
		1800	W56	<b>.50180T1BRBOW56-S</b>	<b>\$368</b>	F2B	26	1.25	2.75	76.2	11.319	115/208-230	3;9;13
		1800	W56	<b>.75180S1BRFBOW56-S</b>	<b>\$379</b>	F1B	23	1.25	5.30	69.0	12.008	115/208-230	3;9;13;42
0.75	0.55	1800	W56	<b>.75180S1BRFBW56-S</b>	<b>\$367</b>	F1B	23	1.25	5.30	69.0	12.008	115/208-230	9;13;42
		1800	56	<b>.75180T1BRB056-S</b>	<b>\$434</b>	F2B	38	1.25	3.40	81.8	12.402	115/208-230	3;9;13
		1800	W56	<b>001180S1BRFB056-S</b>	<b>\$408</b>	F1B	25	1.15	6.80	71.0	12.402	115/208-230	3;9;13;42
1	0.75	1800	W56	<b>001180S1BRFBW56-S</b>	<b>\$396</b>	F1B	25	1.15	6.80	71.0	12.402	115/208-230	9;13;42
		1800	56	<b>001180T1BRB056-S</b>	<b>\$468</b>	F2B	43	1.15	4.50	82.6	13.189	115/208-230	3;9;13
		3600	56	<b>001560T1BRB056-S</b>	<b>\$450</b>	F2B	39	1.15	6.20	81.5	12.795	115/208-230	3;9;13
1.5	1.1	1800	56H	<b>001580T1BRB056-S</b>	<b>\$570</b>	F2B	50	1.15	6.80	83.8	13.583	115/208-230	3;9;13
		1800	56H	<b>002180T1BRB056H-S</b>	<b>\$616</b>	F2B	57	1.15	9.30	84.5	14.373	115/208-230	3;9;13



## ODP - Three-Phase - Resilient Base

HP	kW	RPM	Frame	Catalog Number	List Price	Mult. Symbol	Approx. Shipping Weight (lbs)	Service Factor	FL Amps @ High	FL. Eff (%)	"C" Dimension (in)	Voltage (V)	Notes
0.33	0.25	1800	56	<a href="#">.33180T3ERB56-S</a>	<b>\$314</b>	F2B	22	1.35	0.67	73.4	10.827	230/460	9;13
0.5	0.37	1800	56	<a href="#">.50180T3ERB56-S</a>	<b>\$354</b>	F2B	25	1.25	0.86	78.2	11.220	230/460	9;13
0.75	0.55	1800	56	<a href="#">.75180T3ERB56-S</a>	<b>\$388</b>	F2B	28	1.25	1.15	81.1	11.614	230/460	9;13
1	0.75	1800	56	<a href="#">001180T3ERB56-S</a>	<b>\$408</b>	F2B	31	1.15	1.57	83.5	12.008	230/460	9;13
1.5	1.1	1800	56H	<a href="#">001580T3ERB56-S</a>	<b>\$419</b>	F2B	42	1.15	2.10	86.5	13.189	230/460	9;13



## ODP - Single-Phase - Evaporative Cooler

HP	kW	RPM	Frame	Catalog Number	List Price	Mult. Symbol	Approx. Shipping Weight (lbs)	Service Factor	FL Amps @ High	FL. Eff (%)	"C" Dimension (in)	Voltage (V)	Notes
0.33	0.25	1800	56	<a href="#">.33180S1AEC56</a>	<b>\$156</b>	F1B	19	1.00	6.60	49.8	9.530	115	1;3;9;16
0.33/0.11	0.25/0.08	1800/1200	56	<a href="#">.33820S1AEC56</a>	<b>\$188</b>	F1B	21	1.00	6.60/3.70	49.8/33.6	9.530	115	1;3;9;16;51
0.5	0.37	1800	56	<a href="#">.50180S1AEC56</a>	<b>\$164</b>	F1B	21	1.00	8.20	58.0	9.530	115	1;3;9;16
		1800	56	<a href="#">.50180S1DEC56</a>	<b>\$166</b>	F1B	21	1.00	4.80	54.0	9.530	240	1;3;9;16
0.5/0.16	0.37/0.12	1800/1200	56	<a href="#">.50820S1AEC56</a>	<b>\$199</b>	F1B	24	1.00	8.20/4.60	58.0/42.4	9.530	115	1;3;9
		1800/1200	56	<a href="#">.50820S1DEC56</a>	<b>\$220</b>	F1B	24	1.00	4.80/2.10	54.0/39.6	9.530	240	1;3;9
0.75	0.55	1800	56	<a href="#">.75180S1AEC56</a>	<b>\$201</b>	F1B	24	1.00	10.40	61.9	9.530	115	1;3;9
		1800	56	<a href="#">.75180S1DEC56</a>	<b>\$201</b>	F1B	28	1.00	5.50	59.2	9.530	240	1;3;9
0.75/0.25	0.55/0.18	1800/1200	56	<a href="#">.75820S1AEC56</a>	<b>\$251</b>	F1B	26	1.00	10.4/5.50	61.9/42.8	9.530	115	1;3;9
		1800/1200	56	<a href="#">.75820S1DEC56</a>	<b>\$267</b>	F1B	27	1.00	5.50/2.60	59.0/47.4	9.530	240	1;3;9
1/0.33	0.75/0.25	1800/1200	56	<a href="#">001820S1AEC56</a>	<b>\$364</b>	F1B	32	1.00	12.1/7.10	65.1/49.1	10.960	115	1;3;9
		1800/1200	56	<a href="#">001820S1DEC56</a>	<b>\$389</b>	F1B	33	1.00	6.45/3.06	66.7/51.1	10.960	240	1;3;9

Air Handling Motors

Please refer to back cover for description of "NOTES"

For detailed specifications, data sheets, drawings and performance curves visit <http://www.weg.net>

Data subject to change without notice.

Can't find what you are looking for? Call 1-800-ASK-4WEG (275-4934)

# Air Handling Motors

HVAC MOTORS - WITH INTERNAL AEGIS® SGR



## TEFC - Three-Phase - Foot Mount and Foot Mount with C-Face

HP	kW	RPM	Frame	Catalog Number	List Price	Mult. Symbol	Approx. Shipping Weight (lbs)	Service Factor	FL Amps @ High	FL. Eff (%)	"C" Dimension (in)	Voltage (V)	Notes
1	0.75	3600	143/5T	<a href="#">00136ET3E143T-SG</a>	\$560	RSP	31	1.15	1.40	78.5	13.189	230/460	9;34
		3600	143/5T	<a href="#">00136ET3H143T-SG</a>	\$560	RSP	31	1.15	1.10	78.5	13.189	575	9;34
		1800	143/5T	<a href="#">00118ET3E143T-SG</a>	\$599	RSP	42	1.15	1.50	85.5	13.583	230/460	9;34
		1800	143/5T	<a href="#">00118ET3H143T-SG</a>	\$599	RSP	42	1.15	1.20	85.5	13.583	575	9;34
		1800	143/5T	<a href="#">00118ET3V143T-SG</a>	\$599	RSP	42	1.15	1.70	85.5	13.583	200/400	9;34
		1200	143/5T	<a href="#">00112ET3E145T-SG</a>	\$669	RSP	43	1.15	1.60	82.5	13.583	230/460	9;34
		1200	143/5T	<a href="#">00112ET3H145T-SG</a>	\$669	RSP	43	1.15	1.30	82.5	13.583	575	9;34
1.5	1.1	3600	143/5T	<a href="#">00156ET3E143T-SG</a>	\$613	RSP	39	1.15	1.90	84.0	13.189	230/460	9;34
		3600	143/5T	<a href="#">00156ET3H143T-SG</a>	\$613	RSP	39	1.15	1.50	84.0	13.189	575	9;34
		1800	143/5T	<a href="#">00158ET3E145T-SG</a>	\$620	RSP	43	1.15	2.00	86.5	13.583	230/460	9;34
		1800	143/5T	<a href="#">00158ET3H145T-SG</a>	\$620	RSP	43	1.15	1.60	86.5	13.583	575	9;34
		1800	143/5T	<a href="#">00158ET3V145T-SG</a>	\$620	RSP	43	1.15	2.30	86.5	13.583	200/400	9;34
		1200	182/4T	<a href="#">00152ET3E182T-SG</a>	\$826	RSP	76	1.15	2.20	87.5	16.339	230/460	9;34
		1200	182/4T	<a href="#">00152ET3H182T-SG</a>	\$826	RSP	76	1.15	1.80	87.5	16.339	575	9;34
2	1.5	3600	143/5T	<a href="#">00236ET3E145T-SG</a>	\$654	RSP	45	1.15	2.50	85.5	13.976	230/460	9;34
		3600	143/5T	<a href="#">00236ET3H145T-SG</a>	\$654	RSP	45	1.15	2.00	85.5	13.976	575	9;34
		1800	143/5T	<a href="#">00218ET3E145T-SG</a>	\$673	RSP	47	1.15	2.70	86.5	13.976	230/460	9;34
		1800	143/5T	<a href="#">00218ET3H145T-SG</a>	\$673	RSP	47	1.15	2.20	86.5	13.976	575	9;34
		1800	143/5T	<a href="#">00218ET3V145T-SG</a>	\$673	RSP	47	1.15	3.10	86.5	13.976	200/400	9;34
		1200	182/4T	<a href="#">00212ET3E184T-SG</a>	\$883	RSP	86	1.15	3.00	88.5	17.126	230/460	9;34
		1200	182/4T	<a href="#">00212ET3H184T-SG</a>	\$883	RSP	86	1.15	2.40	88.5	17.126	575	9;34
3	2.2	3600	182/4T	<a href="#">00336ET3E182T-SG</a>	\$835	RSP	73	1.15	3.70	86.5	16.339	230/460	9;34
		3600	182/4T	<a href="#">00336ET3H182T-SG</a>	\$835	RSP	73	1.15	3.00	86.5	16.339	575	9;34
		1800	182/4T	<a href="#">00318ET3E182T-SG</a>	\$747	RSP	87	1.15	3.80	89.5	17.913	230/460	9;34
		1800	182/4TC	<a href="#">00318ET3E182TC-SG</a>	\$780	RSP	87	1.15	3.80	89.5	17.913	230/460	9;34,51
		1800	182/4T	<a href="#">00318ET3H182T-SG</a>	\$747	RSP	87	1.15	3.00	89.5	17.913	575	9;34
		1800	182/4T	<a href="#">00318ET3V182T-SG</a>	\$747	RSP	87	1.15	4.40	89.5	17.913	200/400	9;34
		1200	213/5T	<a href="#">00312ET3E213T-SG</a>	\$1,183	RSP	134	1.15	4.20	89.5	19.291	230/460	9;34
		1200	213/5T	<a href="#">00312ET3H213T-SG</a>	\$1,183	RSP	134	1.15	3.40	89.5	19.291	575	9;34,51
5	3.7	3600	182/4T	<a href="#">00536ET3E184T-SG</a>	\$930	RSP	85	1.15	5.90	88.5	17.913	230/460	9;34
		3600	182/4TC	<a href="#">00536ET3E184TC-SG</a>	\$963	RSP	98	1.15	5.90	88.5	17.913	230/460	9;34,51
		3600	182/4T	<a href="#">00536ET3H184T-SG</a>	\$930	RSP	85	1.15	4.70	88.5	17.913	575	9;34
		1800	182/4T	<a href="#">00518ET3E184T-SG</a>	\$842	RSP	81	1.15	6.50	89.5	17.913	230/460	9;34
		1800	182/4TC	<a href="#">00518ET3E184TC-SG</a>	\$876	RSP	81	1.15	6.50	89.5	17.913	230/460	9;34,51
		1800	182/4T	<a href="#">00518ET3H184T-SG</a>	\$842	RSP	81	1.15	5.20	89.5	17.913	575	9;34
		1800	182/4T	<a href="#">00518ET3V184T-SG</a>	\$842	RSP	81	1.15	7.50	89.5	17.913	200/400	9;34
		1200	213/5T	<a href="#">00512ET3E215T-SG</a>	\$1,360	RSP	153	1.15	6.70	89.5	20.079	230/460	9;34
		1200	213/5T	<a href="#">00512ET3H215T-SG</a>	\$1,360	RSP	153	1.15	5.40	89.5	20.079	575	9;34

continued on next page

Air Handling Motors

Please refer to back cover for description of "NOTES"

For detailed specifications, data sheets, drawings and performance curves visit <http://www.weg.net>



### TEFC - Three-Phase - Foot Mount and Foot Mount with C-Face - *continued*

HP	kW	RPM	Frame	Catalog Number	List Price	Mult. Symbol	Approx. Shipping Weight (lbs)	Service Factor	FL Amps @ High	FL Eff (%)	"C" Dimension (in)	Voltage (V)	Notes
7.5	5.5	3600	213/5T	<a href="#">00736ET3E213T-SRG</a>	\$1,298	RSP	143	1.15	8.67	89.5	18.897	230/460	9;34
		3600	213/5T	<a href="#">00736ET3E213T-SG</a>	\$1,180	RSP	143	1.15	8.70	89.5	20.079	230/460	9;34
		3600	213/5TC	<a href="#">00736ET3E213TC-SG</a>	\$1,225	RSP	145	1.15	8.70	89.5	20.079	230/460	9;34,51
		3600	213/5T	<a href="#">00736ET3H213T-SG</a>	\$1,180	RSP	143	1.15	7.00	89.5	20.079	575	9;34
		1800	213/5T	<a href="#">00718ET3E213T-SG</a>	\$1,148	RSP	131	1.15	9.10	91.7	18.898	230/460	9;34
		1800	213/5TC	<a href="#">00718ET3E213TC-SG</a>	\$1,194	RSP	140	1.15	9.10	91.7	18.898	230/460	9;34,51
		1800	213/5T	<a href="#">00718ET3H213T-SG</a>	\$1,148	RSP	131	1.15	7.30	91.7	18.898	575	9;34
		1800	213/5T	<a href="#">00718ET3V213T-SG</a>	\$1,148	RSP	131	1.15	10.5	91.7	18.898	200/400	9;34
		1200	254/6T	<a href="#">00712ET3E254T-SG</a>	\$2,079	RSP	232	1.15	10.0	91.0	22.559	230/460	9;34
		1200	254/6T	<a href="#">00712ET3H254T-SG</a>	\$2,079	RSP	232	1.15	8.00	91.0	22.559	575	9;34
10	7.5	3600	213/5T	<a href="#">01036ET3E215T-SRG</a>	\$1,496	RSP	178	1.15	11.5	90.2	19.291	230/460	9;34
		3600	213/5T	<a href="#">01036ET3E215T-SG</a>	\$1,360	RSP	178	1.15	11.5	90.2	21.654	230/460	9;34
		3600	213/5TC	<a href="#">01036ET3E215TC-SG</a>	\$1,405	RSP	178	1.15	11.5	90.2	21.654	230/460	9;34,51
		3600	213/5T	<a href="#">01036ET3H215T-SG</a>	\$1,360	RSP	178	1.15	9.20	90.2	21.654	575	9;34
		1800	213/5T	<a href="#">01018ET3E215T-SG</a>	\$1,310	RSP	141	1.15	12.2	91.7	19.291	230/460	9;34
		1800	213/5TC	<a href="#">01018ET3E215TC-SG</a>	\$1,354	RSP	151	1.15	12.2	91.7	19.291	230/460	9;34,51
		1800	213/5T	<a href="#">01018ET3H215T-SG</a>	\$1,310	RSP	141	1.15	9.80	91.7	19.291	575	9;34
		1800	213/5T	<a href="#">01018ET3V215T-SG</a>	\$1,310	RSP	141	1.15	14.0	91.7	19.291	200/400	9;34
		1200	254/6T	<a href="#">01012ET3E256T-SG</a>	\$2,368	RSP	263	1.15	13.8	91.0	23.346	230/460	9;34
		1200	254/6T	<a href="#">01012ET3H256T-SG</a>	\$2,368	RSP	263	1.15	11.0	91.0	23.346	575	9;34
15	11	3600	254/6T	<a href="#">01536ET3E254T-SG</a>	\$1,869	RSP	216	1.15	17.4	91.0	22.559	230/460	9;34
		3600	254/6TC	<a href="#">01536ET3E254TC-SG</a>	\$1,929	RSP	216	1.15	17.4	91.0	22.559	230/460	9;34,51
		3600	254/6T	<a href="#">01536ET3H254T-SG</a>	\$1,869	RSP	216	1.15	13.9	91.0	22.559	575	9;34
		3600	254/6T	<a href="#">01536ET3E254T-W22G</a>	\$2,104	N1	300	1.25	17.2	91.0	24.945	230/460	9;34
		1800	254/6T	<a href="#">01518ET3E254T-W22G</a>	\$2,128	N1	349	1.25	18.0	92.4	24.961	230/460	9;34,51
		1800	254/6T	<a href="#">01518ET3E254T-SG</a>	\$1,890	RSP	234	1.15	18.2	92.4	22.559	230/460	9;34
		1800	254/6TC	<a href="#">01518ET3E254TC-SG</a>	\$1,950	RSP	248	1.15	18.2	92.4	22.559	230/460	9;34
		1800	254/6T	<a href="#">01518ET3H254T-SG</a>	\$1,890	RSP	234	1.15	14.6	92.4	22.559	575	34
		1800	254/6T	<a href="#">01518ET3V254T-SG</a>	\$1,890	RSP	234	1.15	20.9	92.4	22.559	200/400	34
		1200	284/6TS	<a href="#">01512ET3E284TS-W22G</a>	\$3,601	N1	360	1.25	17.9	91.7	26.557	230/460	34
		1200	284/6T	<a href="#">01512ET3E284T-W22G</a>	\$3,601	N1	422	1.25	17.9	91.7	27.929	230/460	9;34
		1200	284/6TS	<a href="#">01512ET3H284TS-W22G</a>	\$3,601	N1	360	1.25	14.3	91.7	26.557	575	9;34,51
20	15	3600	254/6T	<a href="#">02036ET3E256T-SG</a>	\$2,356	RSP	242	1.15	22.7	91.0	23.346	230/460	9;34
		3600	254/6TC	<a href="#">02036ET3E256TC-SG</a>	\$2,416	RSP	245	1.15	22.7	91.0	23.346	230/460	9;34
		3600	254/6T	<a href="#">02036ET3H256T-SG</a>	\$2,356	RSP	242	1.15	18.2	91.0	23.346	575	9;34,51
		3600	254/6T	<a href="#">02036ET3E256T-W22G</a>	\$2,662	N1	325	1.25	23.2	91.0	24.961	230/460	9;34
		1800	254/6T	<a href="#">02018ET3E256T-SG</a>	\$2,198	RSP	265	1.15	24.7	92.4	23.346	230/460	9;34,51
		1800	254/6TC	<a href="#">02018ET3E256TC-SG</a>	\$2,258	RSP	279	1.15	24.7	93.0	23.346	230/460	34
		1800	254/6T	<a href="#">02018ET3H256T-SG</a>	\$2,198	RSP	265	1.15	19.8	93.0	23.346	575	34
		1800	254/6T	<a href="#">02018ET3V256T-SG</a>	\$2,198	RSP	265	1.15	28.4	93.0	23.346	200/400	34
		1200	284/6T	<a href="#">02012ET3E286T-W22G</a>	\$4,272	N1	449	1.25	24.2	91.7	27.929	230/460	34
		1200	284/6T	<a href="#">02012ET3H286T-W22G</a>	\$4,272	N1	450	1.25	19.4	91.7	27.929	575	34
25	18.5	3600	284/6TS	<a href="#">02536ET3E284TS-W22G</a>	\$3,308	N1	406	1.25	28.5	91.7	26.557	230/460	34
		3600	284/6TS	<a href="#">02536ET3H284TS-W22G</a>	\$3,308	N1	400	1.25	22.8	91.7	26.557	575	34
		1800	284/6T	<a href="#">02518ET3E284T-W22G</a>	\$3,053	N1	440	1.25	29.5	93.6	27.929	230/460	34
		1800	284/6T	<a href="#">02518ET3H284T-W22G</a>	\$3,053	N1	439	1.25	23.6	93.6	27.929	575	34
		1800	284/6T	<a href="#">02518ET3V284T-W22G</a>	\$3,053	N1	440	1.25	33.9	93.6	27.929	200/400	34
		1200	324/6T	<a href="#">02512ET3E324T-W22G</a>	\$5,137	N1	585	1.25	30.4	93.0	31.116	230/460	34
		1200	324/6T	<a href="#">02512ET3H324T-W22G</a>	\$5,137	N1	569	1.25	24.3	93.0	31.116	575	34

Air Handling Motors

*continued on next page*

Please refer to back cover for description of "NOTES"

For detailed specifications, data sheets, drawings and performance curves visit <http://www.weg.net>

Data subject to change without notice.

Can't find what you are looking for? Call 1-800-ASK-4WEG (275-4934)

### TEFC - Three-Phase - Foot Mount and Foot Mount with C-Face - *continued*

HP	kW	RPM	Frame	Catalog Number	List Price	Mult. Symbol	Approx. Shipping Weight (lbs)	Service Factor	FL Amps @ High	FL. Eff (%)	"C" Dimension (in)	Voltage (V)	Notes
30	22	3600	284/6TS	<a href="#">03036ET3E286TS-W22G</a>	\$3,871	N1	425	1.25	33.8	91.7	26.557	230/460	34
		3600	284/6TS	<a href="#">03036ET3H286TS-W22G</a>	\$3,871	N1	430	1.25	27.0	91.7	26.557	575	34
		1800	284/6T	<a href="#">03018ET3E286T-W22G</a>	\$3,533	N1	478	1.25	35.1	93.6	27.929	230/460	34
		1800	284/6TC	<a href="#">03018ET3E286TC-W22G</a>	\$3,632	N1	486	1.25	35.1	93.6	27.929	230/460	34
		1800	284/6T	<a href="#">03018ET3H286T-W22G</a>	\$3,533	N1	476	1.25	28.1	93.6	27.929	575	34
		1800	284/6T	<a href="#">03018ET3V286T-W22G</a>	\$3,533	N1	479	1.25	40.4	93.6	27.929	200/400	34
		1200	324/6T	<a href="#">03012ET3E326T-W22G</a>	\$5,673	N1	629	1.25	36.2	93.0	31.116	230/460	34
		1200	324/6TC	<a href="#">03012ET3E326TC-W22G</a>	\$5,794	N1	621	1.25	36.2	93.0	31.116	230/460	34,51
		1200	324/6T	<a href="#">03012ET3H326T-W22G</a>	\$5,673	N1	621	1.25	29.0	93.0	31.116	575	34
40	30	3600	324/6TS	<a href="#">04036ET3E324TS-W22G</a>	\$5,125	N1	590	1.25	45.8	92.4	29.616	230/460	34
		3600	324/6TS	<a href="#">04036ET3H324TS-W22G</a>	\$5,125	N1	572	1.25	36.6	92.4	29.616	575	34
		1800	324/6T	<a href="#">04018ET3E324T-W22G</a>	\$4,578	N1	615	1.25	47.1	94.1	31.116	230/460	34
		1800	324/6T	<a href="#">04018ET3H324T-W22G</a>	\$4,578	N1	614	1.25	37.7	94.1	31.116	575	34
		1800	324/6T	<a href="#">04018ET3V324T-W22G</a>	\$4,578	N1	616	1.25	54.2	94.1	31.116	200/400	34
		1200	364/5T	<a href="#">04012ET3E364T-W22G</a>	\$8,124	N1	1004	1.25	46.5	94.1	34.251	230/460	34
		1200	364/5T	<a href="#">04012ET3H364T-W22G</a>	\$8,124	N1	950	1.25	37.2	94.1	34.251	575	34
50	37	3600	324/6TS	<a href="#">05036ET3E326TS-W22G</a>	\$5,716	N1	612	1.25	56.1	93.0	29.616	230/460	34
		3600	324/6TS	<a href="#">05036ET3H326TS-W22G</a>	\$5,716	N1	605	1.25	44.9	93.0	29.616	575	34
		1800	324/6T	<a href="#">05018ET3E326T-W22G</a>	\$5,500	N1	638	1.25	59.2	94.5	31.116	230/460	34
		1800	324/6T	<a href="#">05018ET3H326T-W22G</a>	\$5,500	N1	634	1.25	47.4	94.5	31.116	575	34
		1800	324/6T	<a href="#">05018ET3V326T-W22G</a>	\$5,500	N1	637	1.25	68.1	94.5	31.116	200/400	34,51
		1200	364/5T	<a href="#">05012ET3E365T-W22G</a>	\$9,358	N1	1021	1.25	57.4	94.1	34.251	230/460	34
		1200	364/5T	<a href="#">05012ET3H365T-W22G</a>	\$9,358	N1	1009	1.25	45.9	94.1	34.251	575	34
60	45	3600	364/5TS	<a href="#">06036ET3E364TS-W22G</a>	\$8,392	N1	962	1.25	67.0	93.6	32.338	230/460	34
		3600	364/5TS	<a href="#">06036ET3H364TS-W22G</a>	\$8,392	N1	954	1.25	53.6	93.6	32.338	575	34,51
		1800	364/5T	<a href="#">06018ET3E364T-W22G</a>	\$8,229	N1	1029	1.25	68.3	95.0	34.251	230/460	34
		1800	364/5T	<a href="#">06018ET3H364T-W22G</a>	\$8,229	N1	1027	1.25	54.6	95.0	34.251	575	34
		1200	404/5T	<a href="#">06012ET3E404T-W22G</a>	\$11,697	N1	1213	1.25	69.5	94.5	39.730	230/460	34
		1200	404/5T	<a href="#">06012ET3H404T-W22G</a>	\$11,697	N1	1213	1.25	55.6	94.5	39.730	575	34
75	55	3600	364/5TS	<a href="#">07536ET3E365TS-W22G</a>	\$9,931	N1	965	1.25	81.9	93.6	32.338	230/460	34
		3600	364/5TS	<a href="#">07536ET3H365TS-W22G</a>	\$9,931	N1	967	1.25	65.5	93.6	32.338	575	34,51
		1800	364/5T	<a href="#">07518ET3E365T-W22G</a>	\$9,545	N1	1046	1.25	84.1	95.4	34.251	230/460	34
		1800	364/5TC	<a href="#">07518ET3E365TC-W22G</a>	\$9,988	N1	1041	1.25	84.1	95.4	34.251	230/460	34,51
		1800	364/5T	<a href="#">07518ET3H365T-W22G</a>	\$9,545	N1	1044	1.25	67.3	95.4	34.251	575	34
		1200	404/5T	<a href="#">07512ET3E405T-W22G</a>	\$13,258	N1	882	1.25	84.9	94.5	39.730	230/460	34
		1200	404/5T	<a href="#">07512ET3H405T-W22G</a>	\$13,258	N1	882	1.25	67.9	94.5	39.730	575	34
100	75	3600	404/5TS	<a href="#">10036ET3E405TS-W22G</a>	\$13,202	N1	1193	1.25	110	94.1	36.732	230/460	34
		1800	404/5T	<a href="#">10018ET3E405T-W22G</a>	\$12,889	N1	1283	1.25	111	95.4	39.730	230/460	34
		1800	404/5T	<a href="#">10018ET3H405T-W22G</a>	\$12,889	N1	1292	1.25	88.8	95.4	39.730	575	34
		1200	444/5T	<a href="#">10012ET3E444T-W22G</a>	\$17,181	N1	1885	1.25	121	95.0	45.157	230/460	34
		1200	444/5T	<a href="#">10012ET3H444T-W22G</a>	\$17,181	N1	1885	1.25	96.8	95.0	45.157	575	34

*continued on next page*

Please refer to back cover for description of "NOTES"

For detailed specifications, data sheets, drawings and performance curves visit <http://www.weg.net>





### TEFC - Three-Phase - Foot Mount and Foot Mount with C-Face - *continued*

HP	kW	RPM	Frame	Catalog Number	List Price	Mult. Symbol	Approx. Shipping Weight (lbs)	Service Factor	FL Amps @ High	FL. Eff (%)	"C" Dimension (in)	Voltage (V)	Notes
125	90	3600	444/5TS	<a href="#">12536ET3E444TS-W22G</a>	<b>\$16,900</b>	N1	1836	1.15	134	95.0	41.407	230/460	34
		3600	444/5TS	<a href="#">12536ET3H444TS-W22G</a>	<b>\$16,900</b>	N1	1836	1.15	107	95.0	41.407	575	34
		1800	444/5T	<a href="#">12518ET3E444T-W22G</a>	<b>\$16,298</b>	N1	1824	1.15	139	95.4	45.157	230/460	34
		1800	444/5TC	<a href="#">12518ET3E444TC-W22G</a>	<b>\$16,904</b>	N1	1861	1.15	139	95.4	45.157	230/460	34
		1800	444/5T	<a href="#">12518ET3H444T-W22G</a>	<b>\$16,298</b>	N1	1824	1.15	111	95.4	45.157	575	34
		1800	444/5TC	<a href="#">12518ET3G444TC-W22G</a>	<b>\$17,768</b>	N1	1754	1.15	139	95.4	45.157	460	34,51
		1200	444/5T	<a href="#">12512ET3E445T-W22G</a>	<b>\$19,497</b>	N1	2004	1.15	143	95.0	45.157	230/460	34
		1200	444/5T	<a href="#">12512ET3H445T-W22G</a>	<b>\$19,497</b>	N1	2004	1.15	114	95.0	45.157	575	34
150	110	1800	444/5TC	<a href="#">15018ET3E445TC-W22G</a>	<b>\$19,575</b>	N1	1960	1.15	170	95.8	45.157	230/460	34
		1800	444/5TC	<a href="#">15018ET3G445TC-W22G</a>	<b>\$19,575</b>	N1	1960	1.15	170	95.8	45.157	460	34,51

Air Handling Motors

Please refer to back cover for description of "NOTES"

For detailed specifications, data sheets, drawings and performance curves visit <http://www.weg.net>

Data subject to change without notice.

Can't find what you are looking for? Call 1-800-ASK-4WEG (275-4934)

# Air Handling Motors

HVAC MOTORS - WITH INTERNAL AEGIS® SGR



## ODP - Three-Phase - Foot Mount and Foot Mount with C-Face

HP	kW	RPM	Frame	Catalog Number	List Price	Mult. Symbol	Approx. Shipping Weight (lbs)	Service Factor	FL Amps @ High	FL. Eff (%)	"C" Dimension (in)	Voltage (V)	Notes
1	0.75	1800	143/5T	<a href="#">001180T3E143T-SG*</a>	\$530	N1S	38	1.15	1.50	85.5	11.181	230/460	9,34
		1800	143/5TC	<a href="#">001180T3E143TC-SG</a>	\$564	N1S	38	1.15	1.50	85.5	11.181	230/460	9,34
		1800	143/5T	<a href="#">001180T3H143T-SG</a>	\$530	N1S	38	1.15	1.20	85.5	11.181	575	9,34,51
		1800	143/5T	<a href="#">001180T3V143T-SG</a>	\$530	N1S	38	1.15	1.70	85.5	11.181	200/400	9,34,51
		1200	143/5T	<a href="#">001120T3E145T-SG</a>	\$586	N1S	38	1.15	1.70	82.5	11.181	230/460	9,34,51
		1200	143/5T	<a href="#">001120T3H145T-SG</a>	\$586	N1S	38	1.15	1.30	82.5	11.181	575	9,34
1.5	1.1	3600	143/5T	<a href="#">001560T3E143T-SG</a>	\$582	N1S	33	1.15	1.90	84.0	11.181	230/460	9,34
		1800	143/5T	<a href="#">001580T3E145T-SG</a>	\$589	N1S	45	1.15	2.10	86.5	12.362	230/460	9,34
		1800	143/5TC	<a href="#">001580T3E145TC-SG</a>	\$623	N1S	45	1.15	2.10	86.5	12.362	230/460	9,34,51
		1800	143/5T	<a href="#">001580T3H145T-SG</a>	\$589	N1S	45	1.15	1.70	86.5	12.362	575	9,34
		1800	143/5T	<a href="#">001580T3V145T-SG</a>	\$589	N1S	45	1.15	2.40	86.5	12.362	200/400	9,34
		1800	143/5TC	<a href="#">001580T3V145TC-SG</a>	\$623	N1S	45	1.15	2.40	86.5	12.362	200/400	9,34,51
		1200	182/4T	<a href="#">001520T3E182T-SG</a>	\$758	N1S	63	1.15	2.30	86.5	13.976	230/460	9,34
2	1.5	3600	143/5T	<a href="#">002360T3E145T-SG</a>	\$627	N1S	40	1.15	2.40	85.5	11.969	230/460	9,34
		1800	143/5T	<a href="#">002180T3E145T-SG</a>	\$632	N1S	43	1.15	2.70	86.5	12.362	230/460	9,34
		1800	143/5TC	<a href="#">002180T3E145TC-SG</a>	\$666	N1S	43	1.15	2.70	86.5	12.362	230/460	9,34,51
		1800	143/5T	<a href="#">002180T3H145T-SG</a>	\$632	N1S	43	1.15	2.20	86.5	12.362	575	9,34,51
		1800	143/5T	<a href="#">002180T3V145T-SG</a>	\$632	N1S	43	1.15	3.10	86.5	12.362	200/400	9,34
		1200	182/4T	<a href="#">002120T3E184T-SG</a>	\$767	N1S	73	1.15	3.00	87.5	14.764	230/460	9,34
3	2.2	3600	143/5T	<a href="#">003360T3E145T-SG</a>	\$685	N1S	44	1.15	3.60	85.5	12.362	230/460	9,34
		1800	182/4T	<a href="#">003180T3E182T-SG</a>	\$694	N1S	73	1.15	3.90	89.5	15.157	230/460	9,34
		1800	182/4TC	<a href="#">003180T3E182TC-SG</a>	\$732	N1S	73	1.15	3.90	89.5	15.157	230/460	9,34
		1800	182/4T	<a href="#">003180T3H182T-SG</a>	\$694	N1S	73	1.15	3.10	89.5	15.157	575	9,34
		1800	182/4T	<a href="#">003180T3V182T-SG</a>	\$694	N1S	73	1.15	4.40	89.5	15.157	200/400	9,34
		1800	182/4TC	<a href="#">003180T3V182TC-SG</a>	\$732	N1S	73	1.15	4.40	89.5	15.157	200/400	9,34,51
		1200	213/5T	<a href="#">003120T3E213T-SG</a>	\$975	N1S	113	1.15	4.20	88.5	16.575	230/460	9,34
		1200	213/5T	<a href="#">003120T3H213T-SG</a>	\$975	N1S	113	1.15	3.30	88.5	16.575	575	9,34
5	3.7	3600	182/4T	<a href="#">005360T3E182T-SG</a>	\$821	N1S	61	1.15	6.10	86.5	14.764	230/460	9,34
		3600	182/4TC	<a href="#">005360T3E182TC-SG</a>	\$859	N1S	61	1.15	6.10	86.5	14.764	230/460	9,34,51
		1800	182/4T	<a href="#">005180T3E184T-SG</a>	\$800	N1S	88	1.15	6.30	89.5	16.339	230/460	9,34
		1800	182/4TC	<a href="#">005180T3E184TC-SG</a>	\$838	N1S	88	1.15	6.30	89.5	16.339	230/460	9,34
		1800	182/4T	<a href="#">005180T3H184T-SG</a>	\$800	N1S	88	1.15	5.10	89.5	16.339	575	9,34
		1800	182/4T	<a href="#">005180T3V184T-SG</a>	\$800	N1S	88	1.15	7.30	89.5	16.339	200/400	9,34
		1800	182/4TC	<a href="#">005180T3V184TC-SG</a>	\$838	N1S	88	1.15	7.30	89.5	16.339	200/400	9,34,51
		1200	213/5T	<a href="#">005120T3E215T-SG</a>	\$1,257	N1S	135	1.15	6.70	89.5	16.969	230/460	9,34

continued on next page



### ODP - Three-Phase - Foot Mount and Foot Mount with C-Face - *continued*

HP	kW	RPM	Frame	Catalog Number	List Price	Mult. Symbol	Approx. Shipping Weight (lbs)	Service Factor	FL Amps @ High	FL. Eff (%)	"C" Dimension (in)	Voltage (V)	Notes
7.5	5.5	3600	182/4T	<a href="#">007360T3E184T-SG</a>	\$1,090	N1S	76	1.15	8.70	88.5	15.157	230/460	9;34
		3600	182/4TC	<a href="#">007360T3E184TC-SG</a>	\$1,128	N1S	76	1.15	8.70	88.5	15.157	230/460	9;34,51
		1800	213/5T	<a href="#">007180T3E213T-SG</a>	\$1,110	N1S	125	1.15	9.30	91.0	16.575	230/460	9;34
		1800	213/5TC	<a href="#">007180T3E213TC-SG</a>	\$1,161	N1S	125	1.15	9.30	91.0	16.575	230/460	9;34
		1800	213/5T	<a href="#">007180T3H213T-SG</a>	\$1,110	N1S	125	1.15	7.40	91.0	16.575	575	9;34
		1800	213/5T	<a href="#">007180T3V213T-SG</a>	\$1,110	N1S	125	1.15	10.6	91.0	16.575	200/400	9;34
		1800	213/5TC	<a href="#">007180T3V213TC-SG</a>	\$1,161	N1S	125	1.15	10.6	91.0	16.575	200/400	9;34
		1200	254/6T	<a href="#">007120T3E254T-SG</a>	\$1,747	N1S	209	1.15	10.2	90.2	20.472	230/460	9;34
		1200	254/6TC	<a href="#">007120T3E254TC-SG</a>	\$1,815	N1S	209	1.15	10.2	90.2	20.472	230/460	9;34
		1200	254/6T	<a href="#">007120T3H254T-SG</a>	\$1,747	N1S	209	1.15	8.20	90.2	20.472	575	9;34
10	7.5	3600	213/5T	<a href="#">010360T3E213T-SG</a>	\$1,281	N1S	126	1.15	12.0	89.5	16.969	230/460	9;34
		3600	213/5TC	<a href="#">010360T3E213TC-SG</a>	\$1,332	N1S	126	1.15	12.0	89.5	16.969	230/460	9;34,51
		1800	213/5T	<a href="#">010180T3E215T-SG</a>	\$1,302	N1S	130	1.15	12.4	91.7	16.575	230/460	9;34
		1800	213/5TC	<a href="#">010180T3E215TC-SG</a>	\$1,353	N1S	130	1.15	12.4	91.7	16.575	230/460	9;34
		1800	213/5T	<a href="#">010180T3H215T-SG</a>	\$1,302	N1S	130	1.15	9.90	91.7	16.575	575	9;34
		1800	213/5T	<a href="#">010180T3V215T-SG</a>	\$1,302	N1S	130	1.15	14.3	91.7	16.575	200/400	9;34,51
		1800	213/5TC	<a href="#">010180T3V215TC-SG</a>	\$1,353	N1S	130	1.15	14.3	91.7	16.575	200/400	9;34
		1200	254/6T	<a href="#">010120T3E256T-SG</a>	\$1,997	N1S	237	1.15	13.9	91.7	20.472	230/460	9;34
		1200	254/6T	<a href="#">010120T3H256T-SG</a>	\$1,997	N1S	237	1.15	11.1	91.7	20.472	575	9;34
		15	11	3600	213/5T	<a href="#">015360T3E215T-SG</a>	\$1,692	N1S	141	1.15	17.2	90.2	17.756
3600	213/5TC			<a href="#">015360T3E215TC-SG</a>	\$1,743	N1S	141	1.15	17.2	90.2	17.756	230/460	9;34,51
1800	254/6T			<a href="#">015180T3E254T-SG</a>	\$1,757	N1S	211	1.15	18.6	93.0	20.472	230/460	9;34
1800	254/6TC			<a href="#">015180T3E254TC-SG</a>	\$1,825	N1S	211	1.15	18.6	93.0	20.472	230/460	9;34
1800	254/6T			<a href="#">015180T3H254T-SG</a>	\$1,757	N1S	211	1.15	14.9	93.0	20.472	575	9;34
1800	254/6T			<a href="#">015180T3V254T-SG</a>	\$1,757	N1S	211	1.15	21.4	93.0	20.472	200/400	9;34
1200	284T			<a href="#">015120T3E284T-W40G</a>	\$2,722	N1B	340	1.25	18.4	91.7	23.158	230/460	34
20	15			3600	254/6T	<a href="#">020360T3E254T-SG</a>	\$2,040	N1S	187	1.15	23.8	91.0	20.472
		3600	254/6TC	<a href="#">020360T3E254TC-SG</a>	\$2,108	N1S	187	1.15	23.8	91.0	20.472	230/460	9;34,51
		1800	254/6T	<a href="#">020180T3E256T-SG</a>	\$2,112	N1S	235	1.15	25.0	93.0	20.472	230/460	9;34
		1800	254/6TC	<a href="#">020180T3E256TC-SG</a>	\$2,180	N1S	235	1.15	25.0	93.0	20.472	230/460	9;34
		1800	254/6T	<a href="#">020180T3H256T-SG</a>	\$2,112	N1S	235	1.15	20.0	93.0	20.472	575	9;34
		1800	254/6T	<a href="#">020180T3V256T-SG</a>	\$2,112	N1S	235	1.15	28.8	93.0	20.472	200/400	9;34
		1800	254/6TC	<a href="#">020180T3V256TC-SG</a>	\$2,180	N1S	235	1.15	28.8	93.0	20.472	200/400	9;34
		1200	284/6T	<a href="#">020120T3E286T-W40G</a>	\$3,344	N1B	415	1.25	24.3	92.4	24.658	230/460	34
25	18.5	3600	254/6T	<a href="#">025360T3E256T-SG</a>	\$2,419	N1S	202	1.15	29.1	91.7	20.472	230/460	9;34
		3600	254/6TC	<a href="#">025360T3E256TC-SG</a>	\$2,487	N1S	202	1.15	29.1	91.7	20.472	230/460	9;34,51
		1800	284T	<a href="#">025180T3E284T-W40G</a>	\$2,470	N1B	381	1.25	29.5	93.6	23.158	230/460	34
		1800	284TC	<a href="#">025180T3E284TC-W40G</a>	\$2,555	N1B	388	1.25	29.5	93.6	23.158	230/460	34
		1800	284T	<a href="#">025180T3H284T-W40G</a>	\$2,470	N1B	380	1.25	23.6	93.6	23.158	575	34
		1800	284T	<a href="#">025180T3V284T-W40G</a>	\$2,470	N1B	372	1.25	33.9	93.6	23.158	200/400	34
		1200	324T	<a href="#">025120T3E324T-W40G</a>	\$3,919	N1B	485	1.25	30.8	93.0	25.807	230/460	34

*continued on next page*

Air Handling Motors

Please refer to back cover for description of "NOTES"

For detailed specifications, data sheets, drawings and performance curves visit <http://www.weg.net>

Data subject to change without notice.

Can't find what you are looking for? Call 1-800-ASK-4WEG (275-4934)

### ODP - Three-Phase - Foot Mount and Foot Mount with C-Face - *continued*

HP	KW	RPM	Frame	Catalog Number	List Price	Mult. Symbol	Approx. Shipping Weight (lbs)	Service Factor	FL Amps @ High	FL. Eff (%)	"C" Dimension (in)	Voltage (V)	Notes
30	22	3600	284TS	<a href="#">030360T3E284TS-W40G</a>	\$2,797	N1B	333	1.25	35.0	91.7	21.783	230/460	34
		1800	284/6T	<a href="#">030180T3E286T-W40G</a>	\$2,840	N1B	428	1.25	34.9	94.1	24.658	230/460	34
		1800	284/6TC	<a href="#">030180T3E286TC-W40G</a>	\$2,925	N1B	435	1.25	34.9	94.1	24.658	230/460	34
		1800	284/6T	<a href="#">030180T3H286T-W40G</a>	\$2,840	N1B	432	1.25	27.9	94.1	24.658	575	34
		1800	284/6T	<a href="#">030180T3V286T-W40G</a>	\$2,840	N1B	432	1.25	40.1	94.1	24.658	200/400	34
		1200	324/6T	<a href="#">030120T3E326T-W40G</a>	\$4,290	N1B	548	1.25	36.0	93.6	27.307	230/460	34
40	30	3600	284/6TS	<a href="#">040360T3E286TS-W40G</a>	\$3,618	N1B	377	1.25	46.8	92.4	23.283	230/460	34
		3600	284/6TSC	<a href="#">040360T3E286TSC-W40G</a>	\$3,703	N1B	397	1.25	46.8	92.4	23.283	230/460	34
		1800	324TS	<a href="#">040180T3E324TS-W40G</a>	\$3,372	N1B	505	1.25	47.6	94.1	24.307	230/460	34
		1800	324T	<a href="#">040180T3E324T-W40G</a>	\$3,495	N1B	481	1.25	47.6	94.1	25.807	230/460	34
		1800	324TC	<a href="#">040180T3E324TC-W40G</a>	\$3,595	N1B	497	1.25	47.6	94.1	25.807	230/460	34
		1800	324T	<a href="#">040180T3H324T-W40G</a>	\$3,495	N1B	505	1.25	38.1	94.1	25.807	575	34
		1800	324T	<a href="#">040180T3V324T-W40G</a>	\$3,495	N1B	486	1.25	54.7	94.1	25.807	200/400	34
		1800	324TC	<a href="#">040180T3V324TC-W40G</a>	\$3,595	N1B	505	1.25	54.7	94.1	25.807	200/400	34,51
		1200	364/5T	<a href="#">040120T3E364T-W40G</a>	\$6,384	N1B	855	1.25	47.1	94.1	29.725	230/460	34
50	37	3600	324TS	<a href="#">050360T3E324TS-W40G</a>	\$4,097	N1B	520	1.25	58.7	93.0	24.307	230/460	34
		3600	324TSC	<a href="#">050360T3E324TSC-W40G</a>	\$4,197	N1B	520	1.25	58.7	93.0	24.307	230/460	34
		1800	326TC	<a href="#">050180T3E326TC-G*</a>	\$4,288	N1B	587	1.15	59.9	94.5	27.667	230/460	34
		1800	324/6T	<a href="#">050180T3E326T-W40G</a>	\$4,188	N1B	544	1.25	58.5	94.5	27.307	230/460	34
		1800	324/6TC	<a href="#">050180T3E326TC-W40G</a>	\$4,288	N1B	563	1.25	58.5	94.5	27.307	230/460	34
		1800	324/6T	<a href="#">050180T3H326T-W40G</a>	\$4,188	N1B	535	1.25	46.8	94.5	27.307	575	34
		1800	324/6T	<a href="#">050180T3V326T-W40G</a>	\$4,188	N1B	520	1.25	67.3	94.5	27.307	200/400	34
		1200	364/5T	<a href="#">050120T3E365T-W40G</a>	\$7,232	N1B	884	1.25	58.1	94.1	29.725	230/460	34,51
60	45	3600	324/6TS	<a href="#">060360T3E326TS-W40G</a>	\$4,858	N1B	548	1.25	71.0	93.6	25.807	230/460	34
		1800	364/5T	<a href="#">060180T3E364T-W40G</a>	\$5,283	N1B	854	1.25	69.9	95.0	29.725	230/460	34
		1800	364/5TC	<a href="#">060180T3E364TC-W40G</a>	\$5,677	N1B	881	1.25	69.9	95.0	29.725	230/460	34
		1800	364/5T	<a href="#">060180T3H364T-W40G</a>	\$5,283	N1B	847	1.25	55.9	95.0	29.725	575	34
		1200	404/5T	<a href="#">060120T3E404T-W40G</a>	\$8,762	N1B	1051	1.25	70.3	94.5	34.100	230/460	34,51
75	55	3600	364/5TS	<a href="#">075360T3E364TS-W40G</a>	\$6,172	N1B	789	1.25	84.8	93.6	27.522	230/460	34
		3600	364/5TSC	<a href="#">075360T3E364TSC-W40G</a>	\$6,566	N1B	794	1.25	84.8	93.6	27.522	230/460	34,51
		1800	364/5T	<a href="#">075180T3E365T-W40G</a>	\$6,498	N1B	878	1.25	85.5	95.0	29.725	230/460	34
		1800	364/5TC	<a href="#">075180T3E365TC-W40G</a>	\$6,892	N1B	904	1.25	85.5	95.0	29.725	230/460	34
		1800	364/5T	<a href="#">075180T3H365T-W40G</a>	\$6,498	N1B	875	1.25	68.4	95.0	29.725	575	34
		1200	404/5T	<a href="#">075120T3E405T-W40G</a>	\$9,558	N1B	1087	1.25	85.9	94.5	34.100	230/460	34,51
100	75	3600	364/5TS	<a href="#">100360T3E365TS-W40G</a>	\$7,484	N1B	835	1.25	116	93.6	27.522	230/460	34,51
		1800	404/5TS	<a href="#">100180T3E404TS-W40G</a>	\$7,751	N1B	1047	1.25	115	95.4	31.100	230/460	34
		1800	404/5T	<a href="#">100180T3E404T-W40G</a>	\$8,341	N1B	1064	1.25	115	95.4	34.100	230/460	34
		1800	404/5T	<a href="#">100180T3H404T-W40G</a>	\$8,341	N1B	1070	1.25	92.0	95.4	34.100	575	34
		1200	444/5T	<a href="#">100120T3E444T-W40G</a>	\$13,463	N1B	1403	1.25	127	95.0	38.108	230/460	34,51
125	90	3600	404/5TS	<a href="#">125360T3E404TS-W40G</a>	\$10,026	N1B	955	1.25	136	94.1	31.100	230/460	34,51
		1800	404/5T	<a href="#">125180T3E405T-W40G</a>	\$9,181	N1B	1156	1.25	138	95.4	34.100	230/460	34,51
		1800	404/5TC	<a href="#">125180T3E405TC-W40G</a>	\$9,627	N1B	1156	1.25	138	95.4	34.100	230/460	34
		1800	404/5T	<a href="#">125180T3H405T-W40G</a>	\$9,181	N1B	1156	1.25	110	95.4	34.100	575	34,51
		1200	444/5T	<a href="#">125120T3G445T-W40G</a>	\$14,353	N1B	1497	1.25	154	95.0	38.108	460	34,51
150	110	3600	404/5TS	<a href="#">150360T3G405TS-W40G</a>	\$12,616	N1B	1004	1.25	167	94.1	31.100	460	34,51

\* To be discontinued and replaced by W40 model once inventory is depleted.

Please refer to back cover for description of "NOTES"

For detailed specifications, data sheets, drawings and performance curves visit <http://www.weg.net>

# Air Handling Motors

## COOLING TOWER MOTORS

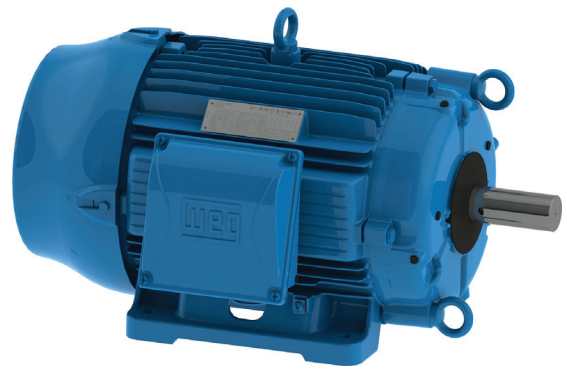
### Three-Phase TEFC & TEAO

WEG's cooling tower motors are designed for operation in 100% humidity and the most corrosive environments. They are designed to operate in either horizontal or vertical mounting.

WEG's W22 cast iron platform has a superior cooling system and solid feet for cool operation and low vibration and noise extending the life of the motor.

#### Standard Features:

- 50/60 Hz rated (380V on Nameplate - 400/415 Available - Same Horse Power at 50 Hz with a 1.0 Service Factor)
- Class F insulation (Impregnation Resin and magnet Wire are class H)
- Standard mounting is F2. F1 mounted motors are identified in the part number. (Both configurations are convertible).
- Stainless Steel Nameplate - Laser etched with high contrast background
- Double Sealed bearings
- Space Heaters 110-127/200-240V (200-240V 143/5T)



#### Features that make a difference:

- 1.25 Service Factor
- Multiple endbell drain plugs for shaft up, down or horizontal mounting
- Drain plugs in terminal box
- Rubber lead separator between terminal box and frame
- Internally and externally epoxy painted
- Double sealed bearings
- Double impregnation and bake

**Inverter Rated:  
1000:1 for variable torque**



# Air Handling Motors

## COOLING TOWER MOTORS - THREE-PHASE



### TEFC - Three-Phase - Foot Mount - NEMA Premium®

HP	kW	RPM	Frame	Catalog Number	List Price	Mult. Symbol	Approx. Shipping Weight (lbs)	Service Factor	FL Amps @ High	FL. Eff (%)	"C" Dimension (in)	Voltage (V)	Notes
1	0.75	1800	143T	<a href="#">00118ET3ECT143TF1-W2</a>	\$647	L1	48	1.25	1.47	85.5	12.346	230/460	
		1800	143T	<a href="#">00118ET3ECT143T-W22</a>	\$647	L1	48	1.25	1.47	85.5	12.346	230/460	7
		1800	143T	<a href="#">00118ET3PCT143T-W22</a>	\$647	L1	48	1.25	3.38	85.5	12.346	200	7
		1200	143/5T	<a href="#">00112ET3ECT145TF1-W2</a>	\$728	L1	56	1.25	1.73	82.5	13.358	230/460	
		1200	143/5T	<a href="#">00112ET3ECT145T-W22</a>	\$728	L1	58	1.25	1.73	82.5	13.358	230/460	7
		1200	143/5T	<a href="#">00112ET3PCT145TF1-W2</a>	\$728	L1	56	1.25	3.98	82.5	13.358	200	
		1200	143/5T	<a href="#">00112ET3PCT145T-W22</a>	\$728	L1	58	1.25	3.98	82.5	13.358	200	7,51
1.5	1.1	1800	143/5T	<a href="#">00158ET3ECT145TF1-W2</a>	\$676	L1	56	1.25	2.02	86.5	13.358	230/460	
		1800	143/5T	<a href="#">00158ET3ECT145T-W22</a>	\$676	L1	56	1.25	2.02	86.5	13.358	230/460	7
		1800	143/5T	<a href="#">00158ET3PCT145TF1-W2</a>	\$676	L1	56	1.25	4.65	86.5	13.358	200	
		1800	143/5T	<a href="#">00158ET3PCT145T-W22</a>	\$676	L1	56	1.25	4.65	86.5	13.358	200	7
		1200	182T	<a href="#">00152ET3ECT182T-W22</a>	\$903	L1	98	1.25	2.54	87.5	14.860	230/460	7
		1200	182T	<a href="#">00152ET3PCT182T-W22</a>	\$903	L1	79	1.25	5.84	87.5	14.860	200	7
2	1.5	1800	143/5T	<a href="#">00218ET3ECT145TF1-W2</a>	\$752	L1	58	1.25	2.76	86.5	13.358	230/460	
		1800	143/5T	<a href="#">00218ET3ECT145T-W22</a>	\$752	L1	58	1.25	2.76	86.5	13.358	230/460	7
		1800	143/5T	<a href="#">00218ET3HCT145T-W22</a>	\$752	L1	58	1.25	2.21	86.5	13.358	575	7
		1800	143/5T	<a href="#">00218ET3PCT145TF1-W2</a>	\$752	L1	58	1.25	6.35	86.5	13.358	200	
		1800	143/5T	<a href="#">00218ET3PCT145T-W22</a>	\$752	L1	58	1.25	6.35	86.5	13.358	200	7
		1200	182/4T	<a href="#">00212ET3ECT184T-W22</a>	\$981	L1	107	1.25	3.23	88.5	15.860	230/460	7
		1200	182/4T	<a href="#">00212ET3PCT184T-W22</a>	\$981	L1	97	1.25	7.43	88.5	15.860	200	7
3	2.2	1800	182T	<a href="#">00318ET3ECT182TF1-W2</a>	\$781	L1	96	1.25	3.91	89.5	14.860	230/460	
		1800	182T	<a href="#">00318ET3ECT182T-W22</a>	\$781	L1	96	1.25	3.91	89.5	14.860	230/460	7
		1800	182T	<a href="#">00318ET3HCT182TF1-W2</a>	\$781	L1	95	1.25	3.13	89.5	14.860	575	
		1800	182T	<a href="#">00318ET3HCT182T-W22</a>	\$781	L1	95	1.25	3.13	89.5	14.860	575	7
		1800	182T	<a href="#">00318ET3PCT182TF1-W2</a>	\$781	L1	96	1.25	8.99	89.5	14.860	200	
		1800	182T	<a href="#">00318ET3PCT182T-W22</a>	\$781	L1	96	1.25	8.99	89.5	14.860	200	7
		1200	213T	<a href="#">00312ET3ECT213T-W22</a>	\$1,329	L1	158	1.25	4.41	89.5	18.021	230/460	7
		1200	213T	<a href="#">00312ET3HCT213T-W22</a>	\$1,329	L1	152	1.25	3.53	89.5	19.517	575	7,51
1200	213T	<a href="#">00312ET3PCT213T-W22</a>	\$1,329	L1	159	1.25	10.1	89.5	18.021	200	7		
5	3.7	1800	182/4T	<a href="#">00518ET3ECT184TF1-W2</a>	\$894	L1	108	1.25	6.45	89.5	15.860	230/460	
		1800	182/4T	<a href="#">00518ET3ECT184T-W22</a>	\$894	L1	108	1.25	6.45	89.5	15.860	230/460	7
		1800	182/4T	<a href="#">00518ET3HCT184TF1-W2</a>	\$894	L1	108	1.25	5.16	89.5	15.860	575	
		1800	182/4T	<a href="#">00518ET3HCT184T-W22</a>	\$894	L1	108	1.25	5.16	89.5	15.860	575	7
		1800	182/4T	<a href="#">00518ET3PCT184TF1-W2</a>	\$894	L1	108	1.25	14.8	89.5	15.860	200	
		1800	182/4T	<a href="#">00518ET3PCT184T-W22</a>	\$894	L1	108	1.25	14.8	89.5	15.860	200	7
		1200	213/5T	<a href="#">00512ET3ECT215TF1-W2</a>	\$1,517	L1	175	1.25	6.83	89.5	19.517	230/460	
		1200	213/5T	<a href="#">00512ET3ECT215T-W22</a>	\$1,517	L1	183	1.25	6.83	89.5	19.517	230/460	7
		1200	213/5T	<a href="#">00512ET3HCT215T-W22</a>	\$1,517	L1	175	1.25	5.46	89.5	19.517	575	7,51
		1200	213/5T	<a href="#">00512ET3PCT215T-W22</a>	\$1,517	L1	184	1.25	15.7	89.5	19.517	200	7

continued on next page



### TEFC - Three-Phase - Foot Mount - NEMA Premium® - continued

HP	kW	RPM	Frame	Catalog Number	List Price	Mult. Symbol	Approx. Shipping Weight (lbs)	Service Factor	FL Amps @ High	FL. Eff (%)	"C" Dimension (in)	Voltage (V)	Notes
7.5	5.5	1800	213T	<a href="#">00718ET3ECT213TF1-W2</a>	\$1,293	L1	171	1.25	9.18	91.7	18.021	230/460	
		1800	213T	<a href="#">00718ET3ECT213T-W22</a>	\$1,293	L1	171	1.25	9.18	91.7	18.021	230/460	7
		1800	213T	<a href="#">00718ET3HCT213TF1-W2</a>	\$1,293	L1	170	1.25	7.34	91.7	18.021	575	
		1800	213T	<a href="#">00718ET3HCT213T-W22</a>	\$1,293	L1	170	1.25	7.34	91.7	18.021	575	7
		1800	213T	<a href="#">00718ET3PCT213TF1-W2</a>	\$1,293	L1	171	1.25	21.1	91.7	18.021	200	
		1800	213T	<a href="#">00718ET3PCT213T-W22</a>	\$1,293	L1	171	1.25	21.1	91.7	18.021	200	7
		1200	254T	<a href="#">00712ET3ECT254T-W22</a>	\$2,433	L1	311	1.25	9.48	91.0	23.213	230/460	7
		1200	254T	<a href="#">00712ET3HCT254T-W22</a>	\$2,433	L1	299	1.25	7.58	91.0	23.213	575	7
		1200	254T	<a href="#">00712ET3PCT254T-W22</a>	\$2,433	L1	311	1.25	21.8	91.0	23.213	200	7
10	7.5	1800	213/5T	<a href="#">01018ET3ECT215TF1-W2</a>	\$1,475	L1	192	1.25	12.4	91.7	19.517	230/460	
		1800	213/5T	<a href="#">01018ET3ECT215T-W22</a>	\$1,475	L1	192	1.25	12.4	91.7	19.517	230/460	7
		1800	213/5T	<a href="#">01018ET3HCT215TF1-W2</a>	\$1,475	L1	192	1.25	9.92	91.7	19.517	575	
		1800	213/5T	<a href="#">01018ET3HCT215T-W22</a>	\$1,475	L1	192	1.25	9.92	91.7	19.517	575	7
		1800	213/5T	<a href="#">01018ET3PCT215TF1-W2</a>	\$1,475	L1	192	1.25	28.5	91.7	19.517	200	
		1800	213/5T	<a href="#">01018ET3PCT215T-W22</a>	\$1,475	L1	192	1.25	28.5	91.7	19.517	200	7
		1200	254/6T	<a href="#">01012ET3ECT256TF1-W2</a>	\$2,751	L1	331	1.25	12.9	91.0	24.945	230/460	
		1200	254/6T	<a href="#">01012ET3ECT256T-W22</a>	\$2,751	L1	331	1.25	12.9	91.0	24.945	230/460	7
		1200	254/6T	<a href="#">01012ET3HCT256T-W22</a>	\$2,751	L1	343	1.25	10.3	91.0	24.945	575	7,51
1200	254/6T	<a href="#">01012ET3PCT256T-W22</a>	\$2,751	L1	331	1.25	29.7	91.0	24.945	200	7		
15	11	1800	254T	<a href="#">01518ET3ECT254TF1-W2</a>	\$2,122	L1	341	1.25	18.0	92.4	23.213	230/460	
		1800	254T	<a href="#">01518ET3ECT254T-W22</a>	\$2,122	L1	341	1.25	18.0	92.4	23.213	230/460	7
		1800	254T	<a href="#">01518ET3HCT254TF1-W2</a>	\$2,122	L1	341	1.25	14.4	92.4	23.213	575	
		1800	254T	<a href="#">01518ET3HCT254T-W22</a>	\$2,122	L1	341	1.25	14.4	92.4	23.213	575	7
		1800	254T	<a href="#">01518ET3PCT254TF1-W2</a>	\$2,122	L1	342	1.25	41.4	92.4	23.213	200	
		1800	254T	<a href="#">01518ET3PCT254T-W22</a>	\$2,122	L1	342	1.25	41.4	92.4	23.213	200	7
		1200	284T	<a href="#">01512ET3ECT284T-W22</a>	\$3,850	L1	422	1.25	17.9	91.7	26.433	230/460	7
		1200	284T	<a href="#">01512ET3PCT284T-W22</a>	\$3,850	L1	423	1.25	41.2	91.7	26.433	200	7
20	15	1800	254/6T	<a href="#">02018ET3ECT256TF1-W2</a>	\$2,549	L1	403	1.25	24.1	93.0	24.945	230/460	
		1800	254/6T	<a href="#">02018ET3ECT256T-W22</a>	\$2,549	L1	387	1.25	24.1	93.0	24.945	230/460	7
		1800	254/6T	<a href="#">02018ET3HCT256TF1-W2</a>	\$2,549	L1	402	1.25	19.3	93.0	24.945	575	
		1800	254/6T	<a href="#">02018ET3HCT256T-W22</a>	\$2,549	L1	402	1.25	19.3	93.0	24.945	575	7
		1800	254/6T	<a href="#">02018ET3PCT256TF1-W2</a>	\$2,549	L1	403	1.25	55.4	93.0	24.945	200	
		1800	254/6T	<a href="#">02018ET3PCT256T-W22</a>	\$2,549	L1	403	1.25	55.4	93.0	24.945	200	7
		1200	284/6T	<a href="#">02012ET3ECT286T-W22</a>	\$4,635	L1	461	1.25	24.2	91.7	27.929	230/460	7
		1200	284/6T	<a href="#">02012ET3PCT286T-W22</a>	\$4,635	L1	503	1.25	55.7	91.7	27.929	200	7
25	18.5	1800	284T	<a href="#">02518ET3ECT284TF1-W2</a>	\$3,236	L1	441	1.25	29.5	93.6	26.433	230/460	
		1800	284T	<a href="#">02518ET3ECT284T-W22</a>	\$3,236	L1	441	1.25	29.5	93.6	26.433	230/460	7
		1800	284T	<a href="#">02518ET3HCT284TF1-W2</a>	\$3,236	L1	439	1.25	23.6	93.6	26.433	575	
		1800	284T	<a href="#">02518ET3HCT284T-W22</a>	\$3,236	L1	439	1.25	23.6	93.6	26.433	575	7
		1800	284T	<a href="#">02518ET3PCT284TF1-W2</a>	\$3,236	L1	440	1.25	67.9	93.6	26.433	200	
		1800	284T	<a href="#">02518ET3PCT284T-W22</a>	\$3,236	L1	440	1.25	67.9	93.6	26.433	200	7
		1200	324T	<a href="#">02512ET3ECT324T-W22</a>	\$5,543	L1	575	1.25	30.4	93.0	29.620	230/460	7
		1200	324T	<a href="#">02512ET3PCT324T-W22</a>	\$5,543	L1	574	1.25	69.9	93.0	29.620	200	7

continued on next page

Please refer to back cover for description of "NOTES"

For detailed specifications, data sheets, drawings and performance curves visit <http://www.weg.net>

Data subject to change without notice.

Can't find what you are looking for? Call 1-800-ASK-4WEG (275-4934)

## COOLING TOWER MOTORS - THREE-PHASE

### TEFC - Three-Phase - Foot Mount - NEMA Premium® - continued

HP	kW	RPM	Frame	Catalog Number	List Price	Mult. Symbol	Approx. Shipping Weight (lbs)	Service Factor	FL Amps @ High	FL. Eff (%)	"C" Dimension (in)	Voltage (V)	Notes
30	22	1800	284/6T	<a href="#">03018ET3ECT286TF1-W2</a>	\$3,738	L1	490	1.25	35.1	93.6	27.929	230/460	
		1800	284/6T	<a href="#">03018ET3ECT286T-W22</a>	\$3,738	L1	490	1.25	35.1	93.6	27.929	230/460	7
		1800	284/6T	<a href="#">03018ET3HCT286TF1-W2</a>	\$3,738	L1	489	1.25	28.1	93.6	27.929	575	
		1800	284/6T	<a href="#">03018ET3HCT286T-W22</a>	\$3,738	L1	489	1.25	28.1	93.6	27.929	575	7
		1800	284/6T	<a href="#">03018ET3PCT286TF1-W2</a>	\$3,738	L1	491	1.25	80.7	93.6	27.929	200	
		1800	284/6T	<a href="#">03018ET3PCT286T-W22</a>	\$3,738	L1	491	1.25	80.7	93.6	27.929	200	7
		1200	324/6T	<a href="#">03012ET3ECT326T-W22</a>	\$6,064	L1	673	1.25	36.2	93.0	31.116	230/460	7
		1200	324/6T	<a href="#">03012ET3PCT326T-W22</a>	\$6,064	L1	634	1.25	83.3	93.0	31.116	200	7
40	30	1800	324T	<a href="#">04018ET3ECT324TF1-W2</a>	\$4,805	L1	605	1.25	47.1	94.1	29.620	230/460	
		1800	324T	<a href="#">04018ET3ECT324T-W22</a>	\$4,805	L1	605	1.25	47.1	94.1	29.620	230/460	7
		1800	324T	<a href="#">04018ET3HCT324TF1-W2</a>	\$4,805	L1	603	1.25	37.7	94.1	29.620	575	
		1800	324T	<a href="#">04018ET3HCT324T-W22</a>	\$4,805	L1	603	1.25	37.7	94.1	29.620	575	7
		1800	324T	<a href="#">04018ET3PCT324TF1-W2</a>	\$4,805	L1	606	1.25	108	94.1	29.620	200	
		1800	324T	<a href="#">04018ET3PCT324T-W22</a>	\$4,805	L1	606	1.25	108	94.1	29.620	200	7
		1200	364/5T	<a href="#">04012ET3ECT364T-W22</a>	\$8,376	L1	1003	1.25	46.5	94.1	34.251	230/460	7
		1200	364/5T	<a href="#">04012ET3PCT364T-W22</a>	\$8,376	L1	1076	1.25	107	94.1	34.251	200	7
50	37	1800	324/6T	<a href="#">05018ET3ECT326TF1-W2</a>	\$5,865	L1	644	1.25	59.2	94.5	31.116	230/460	
		1800	324/6T	<a href="#">05018ET3ECT326T-W22</a>	\$5,865	L1	643	1.25	59.2	94.5	31.116	230/460	7
		1800	324/6T	<a href="#">05018ET3HCT326TF1-W2</a>	\$5,865	L1	644	1.25	47.4	94.5	31.116	575	
		1800	324/6T	<a href="#">05018ET3HCT326T-W22</a>	\$5,865	L1	644	1.25	47.4	94.5	31.116	575	7,51
		1800	324/6T	<a href="#">05018ET3PCT326T-W22</a>	\$5,865	L1	662	1.25	136	94.5	31.116	200	7
		1200	364/5T	<a href="#">05012ET3ECT365T-W22</a>	\$9,625	L1	1020	1.25	57.4	94.1	34.251	230/460	7
		1200	364/5T	<a href="#">05012ET3PCT365T-W22</a>	\$9,625	L1	1127	1.25	132	94.1	34.251	200	7
		60	45	1800	364/5T	<a href="#">06018ET3ECT364TF1-W2</a>	\$8,497	L1	1009	1.25	68.3	95.0	34.251
1800	364/5T			<a href="#">06018ET3ECT364T-W22</a>	\$8,497	L1	1029	1.25	68.3	95.0	34.251	230/460	7
1800	364/5T			<a href="#">06018ET3HCT364TF1-W2</a>	\$8,497	L1	1009	1.25	54.6	95.0	34.251	575	
1800	364/5T			<a href="#">06018ET3HCT364T-W22</a>	\$8,497	L1	1009	1.25	54.6	95.0	34.251	575	7
1800	364/5T			<a href="#">06018ET3PCT364T-W22</a>	\$8,497	L1	1036	1.25	157	95.0	34.251	200	7,51
1200	404/5T			<a href="#">06012ET3ECT404T-W22</a>	\$11,861	L1	1272	1.25	69.5	94.5	39.730	230/460	7
1200	404/5T			<a href="#">06012ET3PCT404T-W22</a>	\$11,861	L1	1346	1.25	160	94.5	39.730	200	7
75	55			1800	364/5T	<a href="#">07518ET3ECT365TF1-W2</a>	\$9,924	L1	1007	1.25	84.1	95.4	34.251
		1800	364/5T	<a href="#">07518ET3ECT365T-W22</a>	\$9,924	L1	1046	1.25	84.1	95.4	34.251	230/460	7
		1800	364/5T	<a href="#">07518ET3HCT365T-W22</a>	\$9,924	L1	1007	1.25	67.3	95.4	34.251	575	7,51
		1800	364/5T	<a href="#">07518ET3PCT365T-W22</a>	\$9,924	L1	1047	1.25	193	95.4	34.251	200	7
		1200	404/5T	<a href="#">07512ET3ECT405T-W22</a>	\$13,626	L1	1243	1.25	84.9	94.5	39.730	230/460	7
		1200	404/5T	<a href="#">07512ET3PCT405T-W22</a>	\$13,626	L1	1478	1.25	195	94.5	39.730	200	7
100	75	1800	404/5T	<a href="#">10018ET3ECT405T-W22</a>	\$13,092	L1	1303	1.25	111	95.4	39.730	230/460	7
		1800	404/5T	<a href="#">10018ET3PCT405T-W22</a>	\$13,092	L1	1302	1.25	255	95.4	39.730	200	7
		1200	444/5T	<a href="#">10012ET3ECT444T-W22</a>	\$17,194	L1	2006	1.25	121	95.0	44.950	230/460	7
		1200	444/5T	<a href="#">10012ET3PCT444T-W22</a>	\$17,194	L1	2006	1.25	278	95.0	44.950	200	7

Please refer to back cover for description of "NOTES"

 For detailed specifications, data sheets, drawings and performance curves visit <http://www.weg.net>





### TEAO - Three-Phase - Foot Mount - NEMA Premium®

HP	kW	RPM	Frame	Catalog Number	List Price	Mult. Symbol	Approx. Shipping Weight (lbs)	Service Factor	FL Amps @ High	FL Eff (%)	"C" Dimension (in)	Voltage (V)	Notes
1	0.75	1800	143T	00118AT3PCT143T-W22	\$666	L1	54	1.25	3.38	85.5	12.353	200	7
1.5	1.1	1800	143/5T	00158AT3PCT145T-W22	\$696	L1	56	1.25	4.65	86.5	13.338	200	7
2	1.5	1800	143/5T	00218AT3ECT145TF1-W2	\$775	L1	58	1.25	2.76	86.5	13.338	230/460	
		1800	143/5T	00218AT3ECT145T-W22	\$775	L1	58	1.25	2.76	86.5	13.338	230/460	7
		1800	143/5T	00218AT3PCT145T-W22	\$775	L1	58	1.25	6.35	86.5	13.338	200	7
		1200	182/4T	00212AT3ECT184TF1-W2	\$1,010	L1	105	1.25	3.23	88.5	15.298	230/460	
		1200	182/4T	00212AT3ECT184T-W22	\$1,010	L1	97	1.25	3.23	88.5	15.298	230/460	
		1200	182/4T	00212AT3HCT184TF1-W2	\$1,010	L1	97	1.25	2.58	88.5	15.298	575	
		1200	182/4T	00212AT3HCT184T-W22	\$1,010	L1	97	1.25	2.58	88.5	15.298	575	7
		1200	182/4T	00212AT3PCT184TF1-W2	\$1,010	L1	106	1.25	7.43	88.5	15.298	200	
		1200	182/4T	00212AT3PCT184T-W22	\$1,010	L1	97	1.25	7.43	88.5	15.298	200	7,51
3	2.2	1800	182T	00318AT3ECT182TF1-W2	\$804	L1	94	1.25	3.91	89.5	14.298	230/460	
		1800	182T	00318AT3ECT182T-W22	\$804	L1	94	1.25	3.91	89.5	14.298	230/460	7
		1800	182T	00318AT3HCT182T-W22	\$804	L1	96	1.25	3.13	89.5	14.298	575	7
		1800	182T	00318AT3PCT182TF1-W2	\$804	L1	99	1.25	8.99	89.5	14.298	200	
		1800	182T	00318AT3PCT182T-W22	\$804	L1	94	1.25	8.99	89.5	14.298	200	7
		1200	213T	00312AT3ECT213TF1-W2	\$1,369	L1	157	1.25	4.41	89.5	17.239	230/460	
		1200	213T	00312AT3ECT213T-W22	\$1,369	L1	134	1.25	4.41	89.5	17.239	230/460	7
		1200	213T	00312AT3HCT213T-W22	\$1,369	L1	134	1.25	3.53	89.5	17.239	575	7
		1200	213T	00312AT3PCT213TF1-W2	\$1,369	L1	159	1.25	10.1	89.5	17.239	200	
1200	213T	00312AT3PCT213T-W22	\$1,369	L1	134	1.25	10.1	89.5	17.239	200	7		
5	3.7	1800	182/4T	00518AT3ECT184TF1-W2	\$921	L1	107	1.25	6.45	89.5	15.298	230/460	
		1800	182/4T	00518AT3ECT184T-W22	\$921	L1	107	1.25	6.45	89.5	15.298	230/460	7
		1800	182/4T	00518AT3HCT184TF1-W2	\$921	L1	107	1.25	5.16	89.5	15.298	575	
		1800	182/4T	00518AT3HCT184T-W22	\$921	L1	104	1.25	5.16	89.5	15.298	575	7
		1800	182/4T	00518AT3PCT184TF1-W2	\$921	L1	107	1.25	14.8	89.5	15.298	200	
		1800	182/4T	00518AT3PCT184T-W22	\$921	L1	107	1.25	14.8	89.5	15.298	200	7
		1200	213/5T	00512AT3ECT215TF1-W2	\$1,563	L1	182	1.25	6.83	89.5	18.739	230/460	
		1200	213/5T	00512AT3ECT215T-W22	\$1,563	L1	175	1.25	6.83	89.5	18.739	230/460	7
		1200	213/5T	00512AT3HCT215TF1-W2	\$1,563	L1	175	1.25	5.46	89.5	18.739	575	
		1200	213/5T	00512AT3HCT215T-W22	\$1,563	L1	175	1.25	5.46	89.5	18.739	575	7
		1200	213/5T	00512AT3PCT215TF1-W2	\$1,563	L1	183	1.25	15.7	89.5	18.739	200	
1200	213/5T	00512AT3PCT215T-W22	\$1,563	L1	175	1.25	15.7	89.5	18.739	200	7		
7.5	5.5	1800	213T	00718AT3ECT213TF1-W2	\$1,332	L1	170	1.25	9.18	91.7	17.239	230/460	
		1800	213T	00718AT3ECT213T-W22	\$1,332	L1	170	1.25	9.18	91.7	17.239	230/460	7
		1800	213T	00718AT3HCT213TF1-W2	\$1,332	L1	169	1.25	7.34	91.7	17.239	575	
		1800	213T	00718AT3HCT213T-W22	\$1,332	L1	169	1.25	7.34	91.7	17.239	575	7
		1800	213T	00718AT3PCT213TF1-W2	\$1,332	L1	170	1.25	21.1	91.7	17.239	200	
		1800	213T	00718AT3PCT213T-W22	\$1,332	L1	170	1.25	21.1	91.7	17.239	200	7
		1200	254T	00712AT3ECT254TF1-W2	\$2,506	L1	297	1.25	9.48	91.0	21.594	230/460	39
		1200	254T	00712AT3PCT254TF1-W2	\$2,506	L1	299	1.25	21.8	91.0	21.594	200	39

continued on next page

Air Handling Motors

Please refer to back cover for description of "NOTES"

For detailed specifications, data sheets, drawings and performance curves visit <http://www.weg.net>

Data subject to change without notice.

Can't find what you are looking for? Call 1-800-ASK-4WEG (275-4934)

# Air Handling Motors



## COOLING TOWER MOTORS - THREE-PHASE

### TEAO - Three-Phase - Foot Mount - NEMA Premium® - continued

HP	kW	RPM	Frame	Catalog Number	List Price	Mult. Symbol	Approx. Shipping Weight (lbs)	Service Factor	FL Amps @ High	FL. Eff (%)	"C" Dimension (in)	Voltage (V)	Notes
10	7.5	1800	213/5T	<a href="#">01018AT3ECT215TF1-W2</a>	\$1,519	L1	192	1.25	12.4	91.7	18.739	230/460	
		1800	213/5T	<a href="#">01018AT3ECT215T-W22</a>	\$1,519	L1	192	1.25	12.4	91.7	18.739	230/460	7
		1800	213/5T	<a href="#">01018AT3HCT215TF1-W2</a>	\$1,519	L1	191	1.25	9.92	91.7	18.739	575	
		1800	213/5T	<a href="#">01018AT3HCT215T-W22</a>	\$1,519	L1	191	1.25	9.92	91.7	18.739	575	7
		1800	213/5T	<a href="#">01018AT3PCT215TF1-W2</a>	\$1,519	L1	191	1.25	28.5	91.7	18.739	200	
		1800	213/5T	<a href="#">01018AT3PCT215T-W22</a>	\$1,519	L1	191	1.25	28.5	91.7	18.739	200	7
		1200	254/6T	<a href="#">01012AT3ECT256TF1-W2</a>	\$2,919	L1	317	1.25	12.9	91.0	23.343	230/460	
		1200	254/6T	<a href="#">01012AT3PCT256TF1-W2</a>	\$2,919	L1	333	1.25	29.7	91.0	23.343	200	
		1200	254/6T	<a href="#">01012AT3PCT256T-W22</a>	\$2,919	L1	333	1.25	29.7	91.0	23.343	200	7
15	11	1800	254T	<a href="#">01518AT3ECT254TF1-W2</a>	\$2,186	L1	327	1.25	18.0	92.4	21.594	230/460	
		1800	254T	<a href="#">01518AT3ECT254T-W22</a>	\$2,186	L1	327	1.25	18.0	92.4	21.594	230/460	7
		1800	254T	<a href="#">01518AT3HCT254TF1-W2</a>	\$2,186	L1	327	1.25	14.4	92.4	21.594	575	
		1800	254T	<a href="#">01518AT3HCT254T-W22</a>	\$2,186	L1	327	1.25	14.4	92.4	21.594	575	7
		1800	254T	<a href="#">01518AT3PCT254TF1-W2</a>	\$2,186	L1	328	1.25	41.4	92.4	21.594	200	
		1800	254T	<a href="#">01518AT3PCT254T-W22</a>	\$2,186	L1	328	1.25	41.4	92.4	21.594	200	7
		1200	284T	<a href="#">01512AT3ECT284TF1-W2</a>	\$3,965	L1	420	1.25	17.9	91.7	25.418	230/460	
		1800	254/6T	<a href="#">02018AT3ECT256TF1-W2</a>	\$2,625	L1	389	1.25	24.1	93.0	23.343	230/460	
		1800	254/6T	<a href="#">02018AT3ECT256T-W22</a>	\$2,625	L1	389	1.25	24.1	93.0	23.343	230/460	7
20	15	1800	254/6T	<a href="#">02018AT3HCT256TF1-W2</a>	\$2,625	L1	388	1.25	19.3	93.0	23.343	575	
		1800	254/6T	<a href="#">02018AT3HCT256T-W22</a>	\$2,625	L1	388	1.25	19.3	93.0	23.343	575	7
		1800	254/6T	<a href="#">02018AT3PCT256TF1-W2</a>	\$2,625	L1	389	1.25	55.4	93.0	23.343	200	
		1800	254/6T	<a href="#">02018AT3PCT256T-W22</a>	\$2,625	L1	389	1.25	55.4	93.0	23.343	200	7
		1200	284/6T	<a href="#">02012AT3ECT286TF1-W2</a>	\$4,576	L1	443	1.25	24.2	91.7	26.918	230/460	
		1800	284T	<a href="#">02518AT3ECT284TF1-W2</a>	\$3,333	L1	423	1.25	29.5	93.6	25.418	230/460	
		1800	284T	<a href="#">02518AT3ECT284T-W22</a>	\$3,333	L1	423	1.25	29.5	93.6	25.418	230/460	7
		1800	284T	<a href="#">02518AT3HCT284TF1-W2</a>	\$3,333	L1	422	1.25	23.6	93.6	25.418	575	
		1800	284T	<a href="#">02518AT3HCT284T-W22</a>	\$3,333	L1	422	1.25	23.6	93.6	25.418	575	7
25	18.5	1800	284T	<a href="#">02518AT3PCT284TF1-W2</a>	\$3,333	L1	422	1.25	67.9	93.6	25.418	200	
		1800	284T	<a href="#">02518AT3PCT284T-W22</a>	\$3,333	L1	422	1.25	67.9	93.6	25.418	200	7
		1200	324T	<a href="#">02512AT3ECT324TF1-W2</a>	\$5,709	L1	555	1.25	30.4	93.0	28.575	230/460	
		1200	324T	<a href="#">02512AT3HCT324TF1-W2</a>	\$5,709	L1	605	1.25	24.3	93.0	28.575	575	
		1800	284/6T	<a href="#">03018AT3ECT286TF1-W2</a>	\$3,850	L1	473	1.25	35.1	93.6	26.918	230/460	
		1800	284/6T	<a href="#">03018AT3ECT286T-W22</a>	\$3,850	L1	473	1.25	35.1	93.6	26.918	230/460	7
		1800	284/6T	<a href="#">03018AT3HCT286TF1-W2</a>	\$3,850	L1	471	1.25	28.1	93.6	26.918	575	
		1800	284/6T	<a href="#">03018AT3HCT286T-W22</a>	\$3,850	L1	469	1.25	28.1	93.6	26.918	575	7
		1800	284/6T	<a href="#">03018AT3PCT286TF1-W2</a>	\$3,850	L1	473	1.25	80.7	93.6	26.918	200	
1800	284/6T	<a href="#">03018AT3PCT286T-W22</a>	\$3,850	L1	473	1.25	80.7	93.6	26.918	200	7		
30	22	1200	324/6T	<a href="#">03012AT3PCT326TF1-W2</a>	\$6,246	L1	673	1.25	83.3	93.0	30.071	200	
		1800	324T	<a href="#">04018AT3ECT324TF1-W2</a>	\$4,949	L1	586	1.25	47.1	94.1	28.575	230/460	
		1800	324T	<a href="#">04018AT3ECT324T-W22</a>	\$4,949	L1	586	1.25	47.1	94.1	28.575	230/460	7
		1800	324T	<a href="#">04018AT3HCT324TF1-W2</a>	\$4,949	L1	584	1.25	37.7	94.1	28.575	575	
		1800	324T	<a href="#">04018AT3HCT324T-W22</a>	\$4,949	L1	580	1.25	37.7	94.1	28.575	575	7
		1800	324T	<a href="#">04018AT3PCT324TF1-W2</a>	\$4,949	L1	576	1.25	108	94.1	28.575	200	
		1800	324T	<a href="#">04018AT3PCT324T-W22</a>	\$4,949	L1	581	1.25	108	94.1	28.575	200	7
		1800	324/6T	<a href="#">05018AT3ECT326T-W22</a>	\$6,041	L1	662	1.25	59.2	94.5	30.071	230/460	7
		1800	324/6T	<a href="#">05018AT3HCT326T-W22</a>	\$6,041	L1	662	1.25	47.3	94.5	30.071	575	7
1800	324/6T	<a href="#">05018AT3PCT326T-W22</a>	\$6,041	L1	662	1.25	136	94.5	30.071	200	7		
60	45	1800	364/5T	<a href="#">06018AT3ECT364T-W22</a>	\$8,752	L1	1036	1.25	68.3	95.0	29.390	230/460	7
75	55	1800	364/5T	<a href="#">07518AT3ECT365T-W22</a>	\$10,222	L1	1047	1.25	84.1	95.4	29.390	230/460	7
100	75	1800	404/5T	<a href="#">10018AT3ECT405TF1-W2</a>	11412	L1	1268	1.25	87.2	95.4	36.417	230/460	
		1800	404/5T	<a href="#">10018AT3ECT405T-W22</a>	11412	L1	1268	1.25	87.2	95.4	36.417	230/460	7

Please refer to back cover for description of "NOTES"

For detailed specifications, data sheets, drawings and performance curves visit <http://www.weg.net>



### TEFC - Dual Speed (1 & 2 Windings) - High Efficiency

HP	kW	RPM	Frame	Catalog Number	List Price	Mult. Symbol	Approx. Shipping Weight (lbs)	Service Factor	FL Amps @ High	FL. Eff (%)	"C" Dimension (in)	Voltage (V)	Notes
2/0.50	1.5/0.37	1800/900	143/5T	00289EP3PCT145VF1-W2	\$929	H1	53	1.25	6.40	82.5	13.358	200	23;30
		1800/900	143/5T	00289EP3PCT145V-W22	\$929	H1	56	1.25	6.40	82.5	13.358	200	7;23;30
		1200/600	213T	00226EP3QCT213VF1-W2	\$2,021	H1	53	1.15	3.35	84.0	18.021	460	23;30
		1200/600	213T	00226EP3QCT213V-W22	\$2,021	H1	53	1.15	3.35	84.0	18.021	460	7;23;30
3/0.75	2.2/0.55	1800/900	182T	00389EP3QCT182VF1-W2	\$1,369	H1	100	1.25	3.99	87.5	14.860	460	23;30
		1800/900	182T	00389EP3QCT182V-W22	\$1,369	H1	94	1.25	3.99	87.5	14.860	460	7;23;30
		1800/900	182T	00389EP3PCT182VF1-W2	\$1,369	H1	95	1.25	9.18	87.5	14.860	200	23;30
		1800/900	182T	00389EP3PCT182V-W22	\$1,369	H1	100	1.25	9.18	87.5	14.860	200	7;23;30
		1200/600	213/5T	00326EP3QCT215V-W22	\$2,125	H1	100	1.15	4.11	84.0	19.517	460	7;23;30
5/1.25	3.7/0.92	1800/900	182/4T	00589EP3QCT184VF1-W2	\$1,471	H1	105	1.25	6.63	87.5	15.860	460	23;30
		1800/900	182/4T	00589EP3QCT184V-W22	\$1,471	H1	104	1.25	6.63	87.5	15.860	460	7;23;30
		1800/900	182/4T	00589EP3HCT184VF1-W2	\$1,471	H1	104	1.25	5.30	87.5	15.860	575	23;30
		1800/900	182/4T	00589EP3HCT184V-W22	\$1,471	H1	104	1.25	5.30	87.5	15.860	575	7;23;30
		1800/900	182/4T	00589EP3PCT184VF1-W2	\$1,471	H1	104	1.25	15.2	87.5	15.860	200	23;30
		1800/900	182/4T	00589EP3PCT184V-W22	\$1,471	H1	104	1.25	15.2	87.5	15.860	200	7;23;30
		1800/900	213/5T	00589EP3QCT215V2F1-W	\$2,262	H1	181	1.25	6.55	88.5	19.517	460	22;30
		1800/900	213/5T	00589EP3QCT215V2-W22	\$2,262	H1	181	1.25	6.55	88.5	19.517	460	7;22;30
		1800/900	213/5T	00589EP3PCT215V2F1-W	\$2,262	H1	181	1.25	15.1	88.5	19.517	200	22;30
		1200/600	254T	00526EP3QCT254VF1-W2	\$2,424	H1	121	1.15	7.06	86.5	23.213	460	23;30
1200/600	254T	00526EP3QCT254V-W22	\$2,424	H1	121	1.15	7.06	86.5	23.213	460	7;23;30		
7.5/1.75	5.5/1.3	1800/900	213T	00789EP3QCT213VF1-W2	\$1,672	H1	168	1.25	9.51	88.5	18.021	460	23;30
		1800/900	213T	00789EP3QCT213V-W22	\$1,672	H1	168	1.25	9.51	88.5	18.021	460	7;23;30
		1800/900	213T	00789EP3HCT213V-W22	\$1,672	H1	164	1.25	7.61	88.5	18.021	575	7;23;30
		1800/900	213T	00789EP3PCT213VF1-W2	\$1,672	H1	164	1.25	21.9	88.5	18.021	200	23;30
		1800/900	213T	00789EP3PCT213V-W22	\$1,672	H1	164	1.25	21.9	88.5	18.021	200	7;23;30
		1800/900	254T	00789EP3QCT254V2F1-W	\$2,808	H1	302	1.25	9.75	88.5	23.213	460	22;30
		1800/900	254T	00789EP3QCT254V2-W22	\$2,808	H1	302	1.25	9.75	88.5	23.213	460	7;22;30
		1800/900	254T	00789EP3PCT254V2F1-W	\$2,808	H1	302	1.25	22.4	88.5	23.213	200	22;30
		1800/900	254T	00789EP3PCT254V2-W22	\$2,808	H1	302	1.25	22.4	88.5	23.213	200	7;22;30
		1200/600	254/6T	00726EP3QCT256V-W22	\$2,496	H1	181	1.15	10.1	87.5	24.945	460	7;23;30
10/2.5	7.5/1.85	1800/900	213/5T	01089EP3QCT215VF1-W2	\$1,891	H1	181	1.25	13.0	88.5	19.517	460	23;30
		1800/900	213/5T	01089EP3QCT215V-W22	\$1,891	H1	181	1.25	13.0	88.5	19.517	460	7;23;30
		1800/900	213/5T	01089EP3HCT215VF1-W2	\$1,891	H1	168	1.25	10.4	88.5	19.517	575	23;30
		1800/900	213/5T	01089EP3HCT215V-W22	\$1,891	H1	168	1.25	10.4	88.5	19.517	575	7;23;30
		1800/900	213/5T	01089EP3PCT215VF1-W2	\$1,891	H1	168	1.25	29.9	88.5	19.517	200	23;30
		1800/900	213/5T	01089EP3PCT215V-W22	\$1,891	H1	168	1.25	29.9	88.5	19.517	200	7;23;30
		1800/900	254/6T	01089EP3QCT256V2F1-W	\$3,052	H1	346	1.25	13.0	89.5	24.945	460	22;30
		1800/900	254/6T	01089EP3QCT256V2-W22	\$3,052	H1	363	1.25	13.0	89.5	24.945	460	7;22;30
		1800/900	254/6T	01089EP3PCT256V2F1-W	\$3,052	H1	346	1.25	29.9	89.5	24.945	200	22;30
		1800/900	254/6T	01089EP3PCT256V2-W22	\$3,052	H1	346	1.25	29.9	89.5	24.945	200	7;22;30
1200/600	284T	01026EP3QCT284V-W22	\$3,017	H1	377	1.15	12.2	89.5	26.433	460	7;23;30		

continued on next page

Air Handling Motors

Please refer to back cover for description of "NOTES"

For detailed specifications, data sheets, drawings and performance curves visit <http://www.weg.net>

Data subject to change without notice.

Can't find what you are looking for? Call 1-800-ASK-4WEG (275-4934)

## COOLING TOWER MOTORS - THREE-PHASE

### TEFC - Dual Speed (1 & 2 Windings) - High Efficiency - *continued*

HP	KW	RPM	Frame	Catalog Number	List Price	Mult. Symbol	Approx. Shipping Weight (lbs)	Service Factor	FL Amps @ High	FL. Eff (%)	"C" Dimension (in)	Voltage (V)	Notes
15/3.75	11/2.8	1800/900	254T	01589EP3QCT254VF1-W2	\$2,572	H1	324	1.25	19.0	89.5	23.213	460	23;30
		1800/900	254T	01589EP3QCT254V-W22	\$2,572	H1	324	1.25	19.0	89.5	23.213	460	7;23;30
		1800/900	254T	01589EP3HCT254VF1-W2	\$2,572	H1	324	1.25	15.2	89.5	23.213	575	23;30
		1800/900	254T	01589EP3HCT254V-W22	\$2,572	H1	288	1.25	15.2	89.5	23.213	575	7;23;30
		1800/900	254T	01589EP3PCT254VF1-W2	\$2,572	H1	288	1.25	43.8	89.5	23.213	200	23;30
		1800/900	254T	01589EP3PCT254V-W22	\$2,572	H1	288	1.25	43.8	89.5	23.213	200	7;23;30
		1800/900	284T	01589EP3QCT284V2F1-W	\$3,878	H1	439	1.25	18.7	90.2	26.433	460	22;30
		1800/900	284T	01589EP3QCT284V2-W22	\$3,878	H1	435	1.25	18.7	90.2	26.433	460	7;22;30
		1800/900	284T	01589EP3PCT284V2F1-W	\$3,878	H1	435	1.25	43.0	90.2	26.433	200	22;30
		1800/900	284T	01589EP3PCT284V2-W22	\$3,878	H1	435	1.25	43.0	90.2	26.433	200	7;22;30
		1200/600	284/6T	01526EP3QCT286VF1-W2	\$3,274	H1	271	1.15	18.0	90.2	27.929	460	23;30
		1200/600	284/6T	01526EP3QCT286V-W22	\$3,274	H1	271	1.15	18.0	90.2	27.929	460	7;23;30
		1200/600	284/6T	01526EP3HCT286VF1-W2	\$3,274	H1	271	1.15	14.4	90.2	27.929	575	23;30
		1200/600	284/6T	01526EP3HCT286V-W22	\$3,274	H1	271	1.15	14.4	90.2	27.929	575	7;23;30
		1200/600	284/6T	01526EP3PCT286VF1-W2	\$3,274	H1	271	1.15	41.4	90.2	27.929	200	23;30
		1200/600	284/6T	01526EP3PCT286V-W22	\$3,274	H1	271	1.15	41.4	90.2	27.929	200	7;23;30
20/5	15/3.7	1800/900	254/6T	02089EP3QCT256VF1-W2	\$2,923	H1	360	1.25	26.1	90.2	24.945	460	23;30
		1800/900	254/6T	02089EP3QCT256V-W22	\$2,923	H1	360	1.25	26.1	90.2	24.945	460	7;23;30
		1800/900	254/6T	02089EP3HCT256VF1-W2	\$2,923	H1	335	1.25	20.9	90.2	24.945	575	23;30;51
		1800/900	254/6T	02089EP3HCT256V-W22	\$2,923	H1	335	1.25	20.9	90.2	24.945	575	7;23;30
		1800/900	254/6T	02089EP3PCT256VF1-W2	\$2,923	H1	362	1.25	60.0	90.2	24.945	200	23;30
		1800/900	254/6T	02089EP3PCT256V-W22	\$2,923	H1	335	1.25	60.0	90.2	24.945	200	7;23;30
		1800/900	284/6T	02089EP3QCT286V2F1-W	\$4,827	H1	503	1.25	24.9	91.0	27.929	460	22;30
		1800/900	284/6T	02089EP3QCT286V2-W22	\$4,827	H1	503	1.25	24.9	91.0	27.929	460	7;22;30
		1800/900	284/6T	02089EP3PCT286V2F1-W	\$4,827	H1	512	1.25	57.3	91.0	27.929	200	22;30
		1800/900	284/6T	02089EP3PCT286V2-W22	\$4,827	H1	512	1.25	57.3	91.0	27.929	200	7;22;30
25/6.3	18.5/4.6	1800/900	284/6T	02589EP3QCT286VF1-W2	\$4,199	H1	500	1.25	29.4	91.7	27.929	460	23;30
		1800/900	284/6T	02589EP3QCT286V-W22	\$4,199	H1	512	1.25	29.4	91.7	27.929	460	7;23;30
		1800/900	284/6T	02589EP3HCT286VF1-W2	\$4,199	H1	500	1.25	23.5	91.7	27.929	575	23;30
		1800/900	284/6T	02589EP3HCT286V-W22	\$4,199	H1	512	1.25	23.5	91.7	27.929	575	7;23;30
		1800/900	284/6T	02589EP3PCT286VF1-W2	\$4,199	H1	512	1.25	67.6	91.7	27.929	200	23;30
		1800/900	324T	02589EP3QCT324V2F1-W	\$5,826	H1	531	1.25	30.9	91.7	29.620	460	22;30
		1800/900	324T	02589EP3QCT324V2-W22	\$5,826	H1	580	1.25	30.9	91.7	29.620	460	7;22;30
		1800/900	324T	02589EP3PCT324V2F1-W	\$5,826	H1	531	1.25	71.1	91.7	29.620	200	22;30
		1800/900	324T	02589EP3PCT324V2-W22	\$5,826	H1	531	1.25	71.1	91.7	29.620	200	7;22;30
		1200/600	324/6T	02526EP3QCT326V-W22	\$6,222	H1	512	1.15	29.9	90.2	31.116	460	7;23;30

*continued on next page*

Please refer to back cover for description of "NOTES"

For detailed specifications, data sheets, drawings and performance curves visit <http://www.weg.net>



## COOLING TOWER MOTORS - THREE-PHASE

### TEFC - Dual Speed (1 & 2 Windings) - High Efficiency - *continued*

HP	kW	RPM	Frame	Catalog Number	List Price	Mult. Symbol	Approx. Shipping Weight (lbs)	Service Factor	FL Amps @ High	FL Eff (%)	"C" Dimension (in)	Voltage (V)	Notes
30/7.5	22/5.5	1800/900	324T	03089EP3QCT324VF1-W2	\$4,725	H1	578	1.25	37.2	91.7	29.620	460	23;30
		1800/900	324T	03089EP3QCT324V-W22	\$4,725	H1	578	1.25	37.2	91.7	29.620	460	7;23;30
		1800/900	324T	03089EP3HCT324VF1-W2	\$4,725	H1	542	1.25	29.8	91.7	29.620	575	23;30
		1800/900	324T	03089EP3HCT324V-W22	\$4,725	H1	542	1.25	29.8	91.7	29.620	575	7;23;30
		1800/900	324T	03089EP3PCT324VF1-W2	\$4,725	H1	581	1.25	85.5	91.7	29.620	200	23;30
		1800/900	324T	03089EP3PCT324V-W22	\$4,725	H1	542	1.25	85.5	91.7	29.620	200	7;23;30
		1800/900	324/6T	03089EP3QCT326V2F1-W	\$6,995	H1	625	1.25	37.4	92.4	31.116	460	22;30
		1800/900	324/6T	03089EP3QCT326V2-W22	\$6,995	H1	625	1.25	37.4	92.4	31.116	460	7;22;30
		1800/900	324/6T	03089EP3PCT326V2F1-W	\$6,995	H1	625	1.25	86.0	92.4	31.116	200	22;30
		1800/900	324/6T	03089EP3PCT326V2-W22	\$6,995	H1	625	1.25	86.0	92.4	31.116	200	7;22;30
		1200/600	364/5T	03026EP3QCT364V-W22	\$7,435	H1	542	1.15	35.4	91.7	34.251	460	7;23;30
40/10	30/7.5	1800/900	324/6T	04089EP3QCT326VF1-W2	\$5,464	H1	640	1.25	47.9	92.4	31.116	460	23;30
		1800/900	324/6T	04089EP3QCT326V-W22	\$5,464	H1	625	1.25	47.9	92.4	31.116	460	7;23;30
		1800/900	324/6T	04089EP3HCT326VF1-W2	\$5,464	H1	625	1.25	38.3	92.4	31.116	575	23;30;51
		1800/900	324/6T	04089EP3HCT326V-W22	\$5,464	H1	625	1.25	38.3	92.4	31.116	575	7;23;30
		1800/900	324/6T	04089EP3PCT326VF1-W2	\$5,464	H1	625	1.25	110	92.4	31.116	200	23;30
		1800/900	324/6T	04089EP3PCT326V-W22	\$5,464	H1	625	1.25	110	92.4	31.116	200	7;23;30
		1800/900	364/5T	04089EP3QCT364V2F1-W	\$8,720	H1	986	1.25	46.8	92.4	34.251	460	22;30
		1800/900	364/5T	04089EP3QCT364V2-W22	\$8,720	H1	1029	1.25	46.8	92.4	34.251	460	7;22;30
		1800/900	364/5T	04089EP3PCT364V2F1-W	\$8,720	H1	1029	1.25	108	92.4	34.251	200	22;30;51
		1800/900	364/5T	04089EP3PCT364V2-W22	\$8,720	H1	1029	1.25	108	92.4	34.251	200	7;22;30
		1200/600	364/5T	04026EP3QCT365VF1-W2	\$9,302	H1	965	1.25	48.9	91.7	34.251	460	23;30
1200/600	364/5T	04026EP3QCT365V-W22	\$9,302	H1	625	1.15	48.9	91.7	34.251	460	7;23;30		
50/12.5	37/9.2	1800/900	364/5T	05089EP3QCT364VF1-W2	\$7,526	H1	968	1.25	59.8	92.4	34.251	460	23;30
		1800/900	364/5T	05089EP3QCT364V-W22	\$7,526	H1	968	1.25	59.8	92.4	34.251	460	7;23;30
		1800/900	364/5T	05089EP3QCT365V2F1-W	\$11,093	H1	1042	1.25	57.0	92.5	34.251	460	22;30
		1800/900	364/5T	05089EP3QCT365V2-W22	\$11,093	H1	1102	1.25	57.0	92.5	34.251	460	7;22;30
		1800/900	364/5T	05089EP3HCT364VF1-W2	\$7,526	H1	1051	1.25	47.8	92.4	34.251	575	23;30
		1800/900	364/5T	05089EP3HCT364V-W22	\$7,526	H1	1051	1.25	47.8	92.4	34.251	575	7;23;30
		1800/900	364/5T	05089EP3PCT364VF1-W2	\$7,526	H1	1051	1.25	138	92.4	34.251	200	23;30
		1800/900	364/5T	05089EP3PCT364V-W22	\$7,526	H1	1051	1.25	138	92.4	34.251	200	7;23;30
		1800/900	364/5T	05089EP3PCT365V2F1-W	\$11,093	H1	1102	1.25	131	92.5	34.251	200	22;30
		1800/900	364/5T	05089EP3PCT365V2-W22	\$11,093	H1	1102	1.25	131	92.5	34.251	200	7;22;30
		1200/600	364/5T	05026EP3QCT365VF1-W2	\$11,051	H1	1051	1.15	59.6	91.7	34.251	460	23;30
1200/600	364/5T	05026EP3QCT365V-W22	\$11,051	H1	1051	1.15	59.6	91.7	34.251	460	7;23;30		
60/15	45/11	1800/900	364/5T	06089EP3QCT365VF1-W2	\$11,068	H1	997	1.25	72.3	93.0	34.251	460	23;30
		1800/900	364/5T	06089EP3QCT365V-W22	\$11,068	H1	1015	1.25	72.3	93.0	34.251	460	7;23;30
		1800/900	364/5T	06089EP3PCT365VF1-W2	\$11,068	H1	1102	1.25	166	93.0	34.251	200	23;30
		1800/900	364/5T	06089EP3PCT365V-W22	\$11,068	H1	1102	1.25	166	93.0	34.251	200	7;23;30
75/18.5	55/13.6	1800/900	404/5T	07589EP3QCT404VF1-W2	\$14,226	H1	1294	1.25	85.3	93.0	39.730	460	23;30
		1800/900	404/5T	07589EP3QCT404V-W22	\$14,226	H1	1294	1.25	85.3	93.0	39.730	460	7;23;30
		1800/900	404/5T	07589EP3PCT404VF1-W2	\$14,226	H1	1245	1.25	196	93.0	39.730	200	23;30
		1800/900	404/5T	07589EP3PCT404V-W22	\$14,226	H1	1245	1.25	196	93.0	39.730	200	7;23;30
100/25	75/18.5	1800/900	444/5T	10089EP3QCT444VF1-W2	\$16,398	H1	2149	1.25	119	94.1	44.950	460	23;30
		1800/900	444/5T	10089EP3QCT444V-W22	\$16,398	H1	2162	1.25	119	94.1	44.950	460	7;23;30
		1800/900	444/5T	10089EP3PCT444VF1-W2	\$16,398	H1	2149	1.25	274	94.1	44.950	200	23;30
		1800/900	444/5T	10089EP3PCT444V-W22	\$16,398	H1	2149	1.25	274	94.1	44.950	200	7;23;30

Air Handling Motors

Please refer to back cover for description of "NOTES"

For detailed specifications, data sheets, drawings and performance curves visit <http://www.weg.net>

Data subject to change without notice.

Can't find what you are looking for? Call 1-800-ASK-4WEG (275-4934)

# Air Handling Motors

## PAD MOUNT MOTORS

### Three-Phase TEAO - NEMA Premium®

These TEAO motors are supplied with a detached terminal box and extended leads for remote installation.

#### Standard Features:

- Class F insulation (Impregnation Resin and magnet Wire are class H)
- Stainless Steel Nameplate - Laser etched with high contrast background
- Regreasable ball bearings (Frame 254Y and up)



#### Features that make a difference:

- 1.25 Service Factor
- Detached terminal box and extended leads
- Two stainless steel plates provided

#### Inverter Rated:

**1000 : 1 for variable torque**





### TEAO - NEMA Premium

HP	kW	RPM	Frame	Catalog Number	List Price	Mult. Symbol	Approx. Shipping Weight (lbs)	Service Factor	FL Amps @ High	FL. Eff (%)	"C" Dimension (in)	Voltage (V)	Notes
1	0.75	3600	145Y	<a href="#">00136ET3EPM143/5Y-W2</a>	\$565	Y1	42	1.25	1.44	81.5	12.110	230/460	
		1800	145Y	<a href="#">00118ET3EPM143/5Y-W2</a>	\$594	Y1	47	1.25	1.47	85.5	12.110	230/460	
1.5	1.1	3600	145Y	<a href="#">00156ET3EPM143/5Y-W2</a>	\$613	Y1	47	1.25	1.96	84.0	12.110	230/460	
		1800	145Y	<a href="#">00158ET3EPM143/5Y-W2</a>	\$617	Y1	52	1.25	2.02	86.5	12.110	230/460	
		1200	184Y	<a href="#">00152ET3EPM182/4Y-W2</a>	\$820	Y1	103	1.25	2.54	87.5	13.803	230/460	
2	1.5	3600	145Y	<a href="#">00236ET3EPM143/5Y-W2</a>	\$661	Y1	52	1.25	2.56	85.5	12.110	230/460	
		1800	145Y	<a href="#">00218ET3EPM143/5Y-W2</a>	\$685	Y1	52	1.25	2.76	86.5	12.110	230/460	
3	2.2	3600	184Y	<a href="#">00336ET3EPM182/4Y-W2</a>	\$847	Y1	104	1.25	3.63	86.5	13.803	230/460	
		1800	184Y	<a href="#">00318ET3EPM182/4Y-W2</a>	\$735	Y1	101	1.25	3.91	89.5	13.803	230/460	
5	3.7	3600	184Y	<a href="#">00536ET3EPM182/4Y-W2</a>	\$985	Y1	112	1.25	5.90	88.5	13.803	230/460	
		1800	184Y	<a href="#">00518ET3EPM182/4Y-W2</a>	\$855	Y1	110	1.25	6.45	89.5	13.803	230/460	
7.5	5.5	3600	215Y	<a href="#">00736ET3EPM213/5Y-W2</a>	\$1,248	Y1	162	1.25	8.76	89.5	17.198	230/460	39
		1800	215Y	<a href="#">00718ET3EPM213/5Y-W2</a>	\$1,240	Y1	170	1.25	9.18	91.7	17.198	230/460	
10	7.5	3600	215Y	<a href="#">01036ET3EPM213/5Y-W2</a>	\$1,477	Y1	185	1.25	11.6	90.2	17.198	230/460	
		1800	215Y	<a href="#">01018ET3EPM213/5Y-W2</a>	\$1,450	Y1	193	1.25	12.4	91.7	17.198	230/460	
15	11	1200	286Y	<a href="#">01512ET3EPM284/6Y-W2</a>	\$3,652	Y1	400	1.25	17.9	91.7	23.938	230/460	
20	15	1200	286Y	<a href="#">02012ET3EPM284/6Y-W2</a>	\$4,437	Y1	422	1.25	24.2	91.7	23.938	230/460	
25	18.5	1800	286Y	<a href="#">02518ET3EPM284/6Y-W2</a>	\$3,071	Y1	414	1.25	29.5	93.6	23.938	230/460	
		1200	326Y	<a href="#">02512ET3EPM324/6Y-W2</a>	\$5,353	Y1	591	1.25	30.4	93.0	26.658	230/460	
30	22	1800	286Y	<a href="#">03018ET3EPM284/6Y-W2</a>	\$3,610	Y1	452	1.25	35.1	93.6	23.938	230/460	
		1200	326Y	<a href="#">03012ET3EPM324/6Y-W2</a>	\$5,906	Y1	639	1.25	36.2	93.0	26.658	230/460	
40	30	1800	326Y	<a href="#">04018ET3EPM324/6Y-W2</a>	\$4,638	Y1	587	1.25	47.1	94.1	26.658	230/460	
50	37	1800	326Y	<a href="#">05018ET3EPM324/6Y-W2</a>	\$5,661	Y1	610	1.25	59.2	94.5	26.658	230/460	

Refer to electrical and mechanical data sections for additional technical information. Please refer to back cover for description of "NOTES"

For detailed specifications, data sheets, drawings and performance curves visit <http://www.weg.net>

Data subject to change without notice.

Can't find what you are looking for? Call 1-800-ASK-4WEG (275-4934)

# Pump Motors

## JET PUMP SINGLE-PHASE (56C/56J FRAMES)

TEFC – Foot Mount	A-202
TEFC – Footless	A-202
ODP – Foot Mount	A-203
ODP – Footless	A-203
TEFC – Footless - Explosion Proof	A-203

## JET PUMP THREE-PHASE (56C/56J FRAMES)

TEFC – Foot Mount	A-204
TEFC – Footless	A-204
ODP – Foot Mount	A-205
ODP – Footless	A-205

## POOL & SPA SINGLE-PHASE MOTORS

ODP – C-Face – Start Capacitor – High Service Factor	A-207
ODP – Square Face – Start Capacitor – High Service Factor	A-207
ODP – C-Face – Start Capacitor – Low Service Factor	A-208
ODP – Square Face – Start Capacitor – Low Service Factor	A-208

## CLOSE-COUPLED PUMP TEFC MOTORS

JM – TEFC – Single-Phase	A-209
JP – TEFC – Single-Phase	A-210
JM – TEFC – Three-Phase	A-212
JP – TEFC – Three-Phase	A-216
JP – TEFC – Explosion Proof	A-219

## CLOSE-COUPLED PUMP ODP MOTORS

JM – ODP – Single-Phase	A-220
JP – ODP – Single-Phase	A-220
JM – ODP – Three-Phase	A-221
JM – ODP – Three-Phase – Footless Vertical	A-224
JP – ODP – Three-Phase	A-225
JP – ODP – Three-Phase – Footless Vertical	A-228

## CLOSE-COUPLED PUMP TEFC MOTORS - WITH INTERNAL AEGIS® SGR

JM – TEFC – Three-Phase	A-230
JP – TEFC – Three-Phase	A-231

## CLOSE-COUPLED PUMP ODP MOTORS - WITH INTERNAL AEGIS® SGR

JM – ODP – Three-Phase	A-232
JP – ODP – Three-Phase	A-233

## FIRE PUMP MOTORS

ODP – Three-Phase	A-235
ODP – Three-Phase – C-Face	A-237
ODP – Three-Phase – JM - Footless Vertical	A-238
ODP – Three-Phase – JP - Footless Vertical	A-239
TEFC (50Hz) – Three-Phase – IE2	A-241

## P-BASE MOTORS

TEFC – Three-Phase – NEMA Premium®	A-244
------------------------------------	-------



# Pump Motors

## JET PUMP (56C/56J FRAMES)

These versatile motors have the torque and durability for the toughest commercial applications, yet are also economical choices for residential applications. Available with or without base and in “J” and “C” configurations

### ODP & TEFC - Single Phase

- Insulation class B
- Sealed ball bearings (Drive end)
- NEMA Service factor

### ODP & TEFC - Three Phase

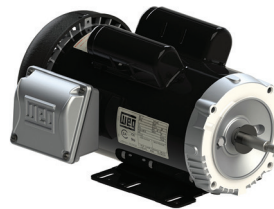
- Insulation class B (ODP)
- Insulation class F (TEFC)
- NEMA Service factor



ODP Single Phase



ODP Three Phase



TEFC Single Phase



TEFC Three Phase

### Features that make a difference:

#### ODP & TEFC - Single Phase

- Automatic Reset Thermal Overload Protector
- Stainless steel shaft end

#### ODP & TEFC - Three Phase

- Stainless steel shaft end



# Pump Motors



## JET PUMP SINGLE-PHASE (56C/56J FRAMES)



### TEFC - Foot Mount

HP	kW	RPM	Frame	Catalog Number	List Price	Mult. Symbol	Approx. Shipping Weight (lbs)	Service Factor	FL Amps @ High	FL. Eff (%)	"C" Dimension (in)	Voltage (V)	Notes
0.33	0.25	3600	W56C	.3336ES1BJPW56C-S	\$263	P1A	24	1.15	2.60	54.0	11.106	115/208-230	3;9
		3600	W56J	.3336ES1BJPW56J-S	\$282	P1B	22	1.15	2.60	54.0	11.606	115/208-230	3;9
0.5	0.37	3600	W56C	.5036ES1BJPW56C-S	\$284	P1A	26	1.15	3.50	60.0	11.500	115/208-230	3;9
		3600	W56J	.5036ES1BJPW56J-S	\$300	P1B	24	1.15	3.50	58.0	12.000	115/208-230	3;9
0.75	0.55	3600	56C	.7536ES1BJP56C-S	\$320	P1A	29	1.15	4.00	66.0	12.720	115/208-230	3;9
		3600	56J	.7536ES1BJP56J-S	\$330	P1B	29	1.15	4.00	64.0	13.220	115/208-230	3;9
1	0.75	3600	56C	00136ES1BJP56C-S	\$344	P1A	32	1.15	5.10	70.0	13.114	115/208-230	3;9
		3600	56J	00136ES1BJP56J-S	\$374	P1B	33	1.15	5.10	67.0	13.614	115/208-230	3;9
1.5	1.1	3600	56C	00156ES1BJP56C-S	\$412	P1A	37	1.15	6.60	75.0	13.902	115/208-230	3;9
		3600	56J	00156ES1BJP56J-S	\$425	P1B	37	1.15	6.60	70.0	14.402	115/208-230	3;9
2	1.5	3600	56HC	00236ES1BJP56C-S	\$487	P1A	42	1.15	8.70	74.0	14.295	115/208-230	3;9
		3600	56HJ	00236ES1BJP56J-S	\$486	P1B	42	1.15	8.70	74.0	14.795	115/208-230	3;9
3	2.2	3600	56HC	00336ES1DJP56C-S	\$548	P1A	51	1.15	12.7	80.0	15.476	230	3;9
		3600	56HJ	00336ES1DJP56J-S	\$557	P1B	53	1.15	12.7	80.0	15.976	230	3;9



### TEFC - Footless

HP	kW	RPM	Frame	Catalog Number	List Price	Mult. Symbol	Approx. Shipping Weight (lbs)	Service Factor	FL Amps @ High	FL. Eff (%)	"C" Dimension (in)	Voltage (V)	Notes
0.33	0.25	3600	W56C	.3336ES1BJPRW56C-S	\$282	P1A	24	1.15	2.60	54.0	11.106	115/208-230	3;9;20;51
		3600	W56J	.3336ES1BJPRW56J-S	\$296	P1B	21	1.15	2.60	54.0	11.606	115/208-230	3;9;20
0.5	0.37	3600	W56C	.5036ES1BJPRW56C-S	\$299	P1A	26	1.15	3.50	60.0	11.500	115/208-230	3;9;20
		3600	W56J	.5036ES1BJPRW56J-S	\$305	P1B	24	1.15	3.50	60.0	12.000	115/208-230	3;9;20
0.75	0.55	3600	56C	.7536ES1BJPR56C-S	\$341	P1A	29	1.15	4.00	66.0	12.720	115/208-230	3;9;20
		3600	56J	.7536ES1BJPR56J-S	\$336	P1B	29	1.15	4.00	64.0	13.220	115/208-230	3;9;20
1	0.75	3600	56C	00136ES1BJPR56C-S	\$357	P1A	32	1.15	5.10	70.0	13.114	115/208-230	3;9;20
		3600	56J	00136ES1BJPR56J-S	\$386	P1B	32	1.15	5.10	67.0	13.614	115/208-230	3;9;20
1.5	1.1	3600	56C	00156ES1BJPR56C-S	\$432	P1A	37	1.15	6.60	75.0	13.902	115/208-230	3;9;20
		3600	56J	00156ES1BJPR56J-S	\$438	P1B	37	1.15	6.60	75.0	14.402	115/208-230	3;9;20
2	1.5	3600	56C	00236ES1BJPR56C-S	\$494	P1A	42	1.15	8.70	77.0	14.295	115/208-230	3;9;20
		3600	56J	00236ES1BJPR56J-S	\$498	P1B	41	1.15	8.70	77.0	14.795	115/208-230	3;9;20
3	2.2	3600	56C	00336ES1DJP56C-S	\$555	P1A	51	1.15	12.7	80.0	15.476	230	3;9;20
		3600	56J	00336ES1DJP56J-S	\$573	P1B	53	1.15	12.7	80.0	15.976	230	3;9;20



## JET PUMP SINGLE-PHASE (56C/56J FRAMES)

### ODP - Foot Mount

HP	kW	RPM	Frame	Catalog Number	List Price	Mult. Symbol	Approx. Shipping Weight (lbs)	Service Factor	FL Amps @ High	FL. Eff (%)	"C" Dimension (in)	Voltage (V)	Notes
0.33	0.25	3600	W56J	.33360S1BJPW56J-S	\$254	P1B	19	1.75	2.50	59.0	10.366	115/208-230	3;9
0.5	0.37	3600	W56J	.50360S1BJPW56J-S	\$258	P1B	22	1.60	3.30	65.0	10.760	115/208-230	3;9
0.75	0.55	3600	W56J	.75360S1BJPW56J-S	\$296	P1B	25	1.50	4.80	68.3	11.154	115/208-230	3;9
1	0.75	3600	56J	001360S1BJP56J-S	\$334	P1B	29	1.40	6.40	68.0	12.008	115/208-230	3;9
1.5	1.1	3600	56J	001560S1BJP56J-S	\$382	P1B	33	1.30	8.60	72.0	12.402	115/208-230	3;9
2	1.5	3600	56J	002360S1BJP56J-S	\$438	P1B	41	1.20	10.9	75.0	13.189	115/208-230	3;9
3	2.2	3600	56J	003360S1DJP56J-S	\$499	P1B	46	1.15	13.2	78.0	13.976	230	3;9



### ODP - Footless

HP	kW	RPM	Frame	Catalog Number	List Price	Mult. Symbol	Approx. Shipping Weight (lbs)	Service Factor	FL Amps @ High	FL. Eff (%)	"C" Dimension (in)	Voltage (V)	Notes
0.33	0.25	3600	W56C	.33360S1BJPRW56C-S	\$237	P1A	19	1.75	2.50	59.0	9.866	115/208-230	3;9;20
		3600	W56J	.33360S1BJPRW56J-S	\$255	P1B	19	1.75	2.50	59.0	10.366	115/208-230	3;9;20
0.5	0.37	3600	W56C	.50360S1BJPRW56C-S	\$255	P1A	21	1.60	3.30	65.0	10.260	115/208-230	3;9;20
		3600	W56J	.50360S1BJPRW56J-S	\$258	P1B	21	1.60	3.30	65.0	10.760	115/208-230	3;9;20
0.75	0.55	3600	W56C	.75360S1BJPRW56C-S	\$297	P1A	24	1.50	4.80	67.0	10.654	115/208-230	3;9;20
		3600	W56J	.75360S1BJPRW56J-S	\$296	P1B	24	1.50	4.80	68.3	11.154	115/208-230	3;9;20
1	0.75	3600	56C	001360S1BJPR56C-S	\$317	P1A	32	1.40	6.40	68.0	11.496	115/208-230	3;9;20
		3600	56J	001360S1BJPR56J-S	\$334	P1B	29	1.40	6.40	66.3	12.008	115/208-230	3;9;20
1.5	1.1	3600	56C	001560S1BJPR56C-S	\$338	P1A	36	1.30	8.60	72.0	11.890	115/208-230	3;9;20
		3600	56J	001560S1BJPR56J-S	\$382	P1B	33	1.30	8.60	73.2	12.402	115/208-230	3;9;20
2	1.5	3600	56C	002360S1BJPR56C-S	\$424	P1A	40	1.20	10.9	75.0	12.677	115/208-230	3;9;20
		3600	56J	002360S1BJPR56J-S	\$438	P1B	40	1.20	10.9	75.0	13.189	115/208-230	3;9;20
3	2.2	3600	56C	003360S1DJP56C-S	\$482	P1A	45	1.15	13.2	77.1	13.465	230	3;9;20
		3600	56J	003360S1DJP56J-S	\$499	P1B	45	1.15	13.2	77.1	13.976	230	3;9;20



### TEFC - Footless Mount - Explosion Proof

HP	kW	RPM	Frame	Catalog Number	List Price	Mult. Symbol	Approx. Shipping Weight (lbs)	Service Factor	FL Amps @ High	FL. Eff (%)	"C" Dimension (in)	Voltage (V)	Notes
0.5	0.37	3600	56J	.5036XS3EJPR56J	\$810	XF	24	1.00	0.9	73.1	12.3	230/460	1;3;9;43
0.75	0.55	3600	56J	.7536XS3EJPR56J	\$835	XF	25	1.00	1.2	77.1	12.3	230/460	1;3;9;45
1	0.75	3600	56J	00136XT3EJPR56J	\$1,030	XF	27	1.00	1.6	77	12.43	230/460	1;3;9;47
1.5	1.1	3600	56J	00156XT3EJPR56J	\$1,105	XF	30	1.00	2.1	84	13.3	230/460	1;3;9;49
2	1.5	3600	56J	00236XT3EJPR56J	\$1,153	XF	35	1.00	2.7	85.5	13.3	230/460	1;3;9;51

Please refer to back cover for description of "NOTES"

For detailed specifications, data sheets, drawings and performance curves visit <http://www.weg.net>

Data subject to change without notice.

Can't find what you are looking for? Call 1-800-ASK-4WEG (275-4934)

# Pump Motors



## JET PUMP THREE-PHASE (56C/56J FRAMES)



### TEFC - Foot Mount

HP	kW	RPM	Frame	Catalog Number	List Price	Mult. Symbol	Approx. Shipping Weight (lbs)	Service Factor	FL Amps @ High	FL. Eff (%)	"C" Dimension (in)	Voltage (V)	Notes
0.33	0.25	3600	56J	.3336ES3EJP56J-S	\$259	P1B	24	1.15	0.60	62.0	11.654	208-230/460	9
0.5	0.37	3600	56J	.5036ES3EJP56J-S	\$267	P1B	26	1.15	0.80	68.0	12.047	208-230/460	9
0.75	0.55	3600	56J	.7536ES3EJP56J-S	\$301	P1B	27	1.15	1.10	72.0	12.047	208-230/460	9
		3600	56J	.7536ES3HJP56J-S	\$301	P1B	27	1.15	0.90	72.0	12.047	575	9
1	0.75	3600	W56J	00136ET3EJPW56J-S	\$434	P1B	25	1.15	1.50	78.5	11.606	230/460	9
		3600	W56J	00136ET3HJPW56J-S	\$434	P1B	25	1.15	1.20	78.5	11.606	575	9
1.5	1.1	3600	56J	00156ET3EJP56J-S	\$473	P1B	41	1.15	1.90	84.0	13.614	230/460	9
		3600	56J	00156ET3HJP56J-S	\$473	P1B	41	1.15	1.50	84.0	13.614	575	9
2	1.5	3600	56J	00236ET3EJP56J-S	\$535	P1B	46	1.15	2.50	85.5	14.402	230/460	9
		3600	56J	00236ET3HJP56J-S	\$535	P1B	46	1.15	2.00	85.5	14.402	575	9
3	2.2	3600	56J	00336ET3EJP56J-S	\$634	P1B	55	1.15	3.50	86.5	15.583	230/460	9
		3600	56J	00336ET3HJP56J-S	\$634	P1B	55	1.15	2.80	86.5	15.583	575	9



### TEFC - Footless

HP	kW	RPM	Frame	Catalog Number	List Price	Mult. Symbol	Approx. Shipping Weight (lbs)	Service Factor	FL Amps @ High	FL. Eff (%)	"C" Dimension (in)	Voltage (V)	Notes
0.33	0.25	3600	56C	.3336ES3EJPR56C-S	\$257	P1A	24	1.15	0.60	62.0	11.142	208-230/460	9;20
		3600	56J	.3336ES3EJPR56J-S	\$268	P1B	24	1.15	0.60	62.0	11.654	208-230/460	9;20
0.5	0.37	3600	56C	.5036ES3EJPR56C-S	\$270	P1A	26	1.15	0.80	68.0	11.535	208-230/460	9;20
		3600	56J	.5036ES3EJPR56J-S	\$282	P1B	26	1.15	0.80	68.0	12.047	208-230/460	9;20
0.75	0.55	3600	56C	.7536ES3EJPR56C-S	\$293	P1A	27	1.15	1.10	72.0	11.535	208-230/460	9;20;51
		3600	56J	.7536ES3EJPR56J-S	\$319	P1B	27	1.15	1.10	72.0	12.047	208-230/460	9;20
1	0.75	3600	W56C	00136ET3EJPRW56C-S	\$425	P1A	25	1.15	1.50	78.5	11.106	230/460	9;20
		3600	W56J	00136ET3EJPRW56J-S	\$434	P1B	25	1.15	1.50	78.5	11.606	230/460	9;20
1.5	1.1	3600	56C	00156ET3EJPR56C-S	\$455	P1A	39	1.15	1.90	84.0	13.114	230/460	9;20
		3600	56J	00156ET3EJPR56J-S	\$468	P1B	41	1.15	1.90	84.0	13.614	230/460	9;20
		3600	56J	00156ET3HJPR56J-S	\$468	P1B	41	1.15	1.50	84.0	13.614	575	9;20
2	1.5	3600	56C	00236ET3EJPR56C-S	\$490	P1A	46	1.15	2.50	85.5	13.901	230/460	9;20
		3600	56J	00236ET3EJPR56J-S	\$525	P1B	46	1.15	2.50	85.5	14.402	230/460	9;20
		3600	56J	00236ET3HJPR56J-S	\$525	P1B	46	1.15	2.00	85.5	14.402	575	9;20
3	2.2	3600	56C	00336ET3EJPR56C-S	\$602	P1A	55	1.15	3.50	86.5	15.083	230/460	9;20
		3600	56J	00336ET3EJPR56J-S	\$624	P1B	55	1.15	3.50	86.5	15.583	230/460	9;20

Pump Motors

Please refer to back cover for description of "NOTES"

For detailed specifications, data sheets, drawings and performance curves visit <http://www.weg.net>



## JET PUMP THREE-PHASE (56C/56J FRAMES)

### ODP - Foot Mount

HP	kW	RPM	Frame	Catalog Number	List Price	Mult. Symbol	Approx. Shipping Weight (lbs)	Service Factor	FL Amps @ High	FL. Eff (%)	"C" Dimension (in)	Voltage (V)	Notes
0.33	0.25	3600	56J	.33360S3EJP56J-S	\$224	P1B	21	1.75	0.60	68.0	10.827	208-230/460	9
			56J	.50360S3EJP56J-S	\$236	P1B	21	1.60	0.90	68.0	10.827	208-230/460	9
0.5	0.37	3600	56J	.50360S3HJP56J-S	\$236	P1B	21	1.60	0.70	70.0	10.827	575	9
			56J	.75360S3EJP56J-S	\$271	P1B	24	1.50	1.20	72.0	11.220	208-230/460	9
0.75	0.55	3600	56J	.75360S3HJP56J-S	\$271	P1B	24	1.50	1.00	72.0	11.220	575	9
			56J	.001360S3EJP56J-S	\$286	P1B	25	1.40	1.50	74.0	11.220	208-230/460	9
1	0.75	3600	56J	.001360S3HJP56J-S	\$286	P1B	25	1.40	1.20	75.5	11.220	575	9
			56J	.001560S3EJP56J-S	\$296	P1B	28	1.30	2.10	77.0	11.614	208-230/460	9
1.5	1.1	3600	56J	.001560S3HJP56J-S	\$296	P1B	28	1.30	1.70	77.0	11.614	575	9
			56HJ	.002360S3EJP56J-S	\$316	P1B	32	1.20	2.80	78.5	12.008	208-230/460	9
2	1.5	3600	56HJ	.002360S3HJP56J-S	\$316	P1B	32	1.20	2.30	78.5	12.008	575	9
			56HJ	.003360S3EJP56J-S	\$339	P1B	38	1.15	3.90	81.5	12.795	208-230/460	9
3	2.2	3600	56HJ	.003360S3HJP56J-S	\$339	P1B	38	1.15	3.10	81.5	12.795	575	9



### ODP - Footless

HP	kW	RPM	Frame	Catalog Number	List Price	Mult. Symbol	Approx. Shipping Weight (lbs)	Service Factor	FL Amps @ High	FL. Eff (%)	"C" Dimension (in)	Voltage (V)	Notes
0.33	0.25	3600	56C	.33360S3EJPR56C-S	\$220	P1A	22	1.75	0.60	68.0	10.315	208-230/460	9;20
			56J	.33360S3EJPR56J-S	\$229	P1B	21	1.75	0.60	66.0	10.827	208-230/460	9;20
0.5	0.37	3600	56C	.50360S3EJPR56C-S	\$224	P1A	29	1.60	0.90	70.0	10.315	208-230/460	9;20
			56J	.50360S3EJPR56J-S	\$241	P1B	21	1.60	0.90	68.0	10.827	208-230/460	9;20
0.75	0.55	3600	56C	.75360S3EJPR56C-S	\$257	P1A	24	1.50	1.20	70.0	10.709	208-230/460	9;20
			56J	.75360S3EJPR56J-S	\$278	P1B	24	1.50	1.20	72.0	11.22	208-230/460	9;20
			56C	.75360S3HJPR56C-S	\$257	P1A	24	1.50	1.00	70.0	10.709	575	9;20
			56J	.75360S3HJPR56J-S	\$277	P1B	24	1.50	1.00	70.0	11.220	575	9;20
1	0.75	3600	56C	.001360S3EJPR56C-S	\$274	P1A	25	1.40	1.50	75.5	10.709	208-230/460	9;20
			56J	.001360S3EJPR56J-S	\$287	P1B	25	1.40	1.50	74.0	11.220	208-230/460	9;20
1.5	1.1	3600	56C	.001560S3EJPR56C-S	\$290	P1A	28	1.30	2.10	77.0	11.102	208-230/460	9;20
			56J	.001560S3EJPR56J-S	\$305	P1B	28	1.30	2.10	77.0	11.614	208-230/460	9;20
			56C	.001560S3HJPR56C-S	\$290	P1A	28	1.30	1.70	77.0	11.102	575	9;20
2	1.5	3600	56C	.002360S3EJPR56C-S	\$311	P1A	30	1.20	2.80	78.5	11.496	208-230/460	9;20
			56J	.002360S3EJPR56J-S	\$321	P1B	32	1.20	2.80	78.5	12.008	208-230/460	9;20
			56C	.002360S3HJPR56C-S	\$311	P1A	30	1.20	2.30	78.5	11.496	575	9;20
			56J	.002360S3HJPR56J-S	\$321	P1B	32	1.20	2.30	78.5	12.008	575	9;20
3	2.2	3600	56C	.003360S3EJPR56C-S	\$332	P1A	35	1.15	3.90	81.5	12.283	208-230/460	9;20
			56J	.003360S3EJPR56J-S	\$350	P1B	38	1.15	3.90	81.5	12.795	208-230/460	9;20

Please refer to back cover for description of "NOTES"

For detailed specifications, data sheets, drawings and performance curves visit <http://www.weg.net>

Data subject to change without notice.

Can't find what you are looking for? Call 1-800-ASK-4WEG (275-4934)

# Pump Motors

## POOL & SPA MOTORS

### ODP

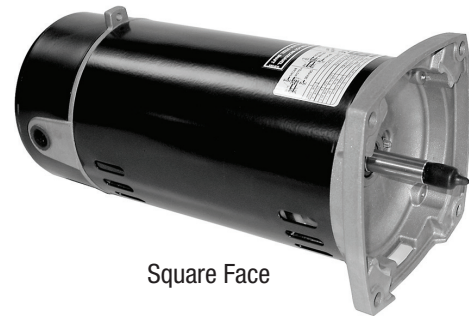
These motors are specially designed for pool duty. Available in high and low Service Factor.

### Standard Features:

- C-Face is cast iron; square flange is aluminum
- Class B insulation



C-Face



Square Face

### Features that make a difference:

- Dual compartment for easy maintenance
- Rated for 50 degrees Celsius ambient temperature
- Stainless steel shaft (AISI 316)
- Automatic Reset thermal overload protection
- Threaded shaft
- Internal and external grounding
- Terminal box threaded NPT 1/2"
- Sealed bearings
- Drive endshield sealing (V'ring for C-face, Lip Seal for Square flange)
- Epoxy coating

\*\* Not for use in California





### ODP - C-Face - Start Capacitor - High Service Factor

HP	kW	RPM	Frame	Catalog Number	List Price	Mult. Symbol	Approx. Shipping Weight (lbs)	Service Factor	FL Amps @ High	FL Eff (%)	"C" Dimension (in)	Voltage (V)	Notes
0.5	0.37	3600	K56J	<a href="#">PCJ105H</a>	<b>\$236</b>	P1D	23	1.60	4.55	60.4	13.898	115/230	3;9;20
0.75	0.55	3600	K56J	<a href="#">PCJ107H</a>	<b>\$263</b>	P1D	27	1.50	5.60	65.8	13.898	115/230	3;9;20
1	0.75	3600	L56J	<a href="#">PCJ110H</a>	<b>\$300</b>	P1D	30	1.40	7.05	69.7	14.488	115/230	3;9;20
1.5	1.1	3600	M56J	<a href="#">PCJ115H</a>	<b>\$400</b>	P1D	33	1.30	7.50	76.3	15.079	230	3;9;20
2	1.5	3600	M56J	<a href="#">PCJ120H</a>	<b>\$486</b>	P1D	34	1.20	9.20	78.3	15.079	230	3;9;20



### ODP - Square Face - Start Capacitor - High Service Factor

HP	kW	RPM	Frame	Catalog Number	List Price	Mult. Symbol	Approx. Shipping Weight (lbs)	Service Factor	FL Amps @ High	FL Eff (%)	"C" Dimension (in)	Voltage (V)	Notes
0.33	0.25	3600	K48Y	<a href="#">PCQ103H</a>	<b>\$231</b>	P1D	20	1.95	3.45	55.0	12.913	115/230	3;9;20
0.5	0.37	3600	K48Y	<a href="#">PCQ105H</a>	<b>\$241</b>	P1D	22	1.90	4.55	60.4	12.913	115/230	3;9;20
0.75	0.55	3600	K48Y	<a href="#">PCQ107H</a>	<b>\$275</b>	P1D	26	1.65	5.60	65.8	12.913	115/230	3;9;20
1	0.75	3600	L48Y	<a href="#">PCQ110H</a>	<b>\$320</b>	P1D	29	1.65	7.05	69.7	13.504	115/230	3;9;20
1.5	1.1	3600	M48Y	<a href="#">PCQ115H</a>	<b>\$411</b>	P1D	32	1.50	7.50	76.3	14.094	230	3;9;20
2	1.5	3600	M48Y	<a href="#">PCQ120H</a>	<b>\$500</b>	P1D	33	1.30	9.20	78.3	14.094	230	3;9;20

Please refer to back cover for description of "NOTES"

For detailed specifications, data sheets, drawings and performance curves visit <http://catalog.wegelectric.com>

Data subject to change without notice.

Can't find what you are looking for? Call 1-800-ASK-4WEG (275-4934)



### ODP - C-Face - Start Capacitor - Low Service Factor

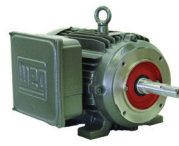
HP	kW	RPM	Frame	Catalog Number	List Price	Mult. Symbol	Approx. Shipping Weight (lbs)	Service Factor	FL Amps @ High	FL Eff (%)	"C" Dimension (in)	Voltage (V)	Notes
0.75	0.55	3600	K56J	<a href="#">PCJ107</a>	<b>\$236</b>	P1D	23	1.30	5.10	66.2	13.898	115/230	3;9;20
1	0.75	3600	K56J	<a href="#">PCJ110</a>	<b>\$263</b>	P1D	26	1.25	6.25	70.1	13.898	115/230	3;9;20
1.5	1.1	3600	L56J	<a href="#">PCJ115</a>	<b>\$300</b>	P1D	30	1.10	8.85	69.6	14.488	115/230	3;9;20
2	1.5	3600	M56J	<a href="#">PCJ120</a>	<b>\$400</b>	P1D	33	1.10	9.30	76.6	15.079	230	3;9;20
2.5	1.9	3600	M56J	<a href="#">PCJ125</a>	<b>\$486</b>	P1D	34	1.04	10.8	80.7	15.079	230	3;9;20



### ODP - Square Face - Start Capacitor - Low Service Factor

HP	kW	RPM	Frame	Catalog Number	List Price	Mult. Symbol	Approx. Shipping Weight (lbs)	Service Factor	FL Amps @ High	FL Eff (%)	"C" Dimension (in)	Voltage (V)	Notes
0.50	0.37	3600	K48Y	<a href="#">PCQ105</a>	<b>\$231</b>	P1D	20	1.30	3.75	61.8	12.913	115/230	3;9;20;51
0.75	0.55	3600	K48Y	<a href="#">PCQ107</a>	<b>\$241</b>	P1D	22	1.30	5.10	66.2	12.913	115/230	3;9;20
1	0.75	3600	K48Y	<a href="#">PCQ110</a>	<b>\$275</b>	P1D	26	1.25	6.25	70.1	12.913	115/230	3;9;20
1.5	1.1	3600	L48Y	<a href="#">PCQ115</a>	<b>\$320</b>	P1D	29	1.10	8.85	69.6	13.504	115/230	3;9;20
2	1.5	3600	M48Y	<a href="#">PCQ120</a>	<b>\$411</b>	P1D	32	1.10	9.30	76.6	14.094	230	3;9;20
2.5	1.9	3600	M48Y	<a href="#">PCQ125</a>	<b>\$500</b>	P1D	33	1.04	10.8	80.7	14.094	230	3;9;20





### JM - TEFC - Single-Phase

HP	kW	RPM	Frame	Catalog Number	List Price	Mult. Symbol	Approx. Shipping Weight (lbs)	Service Factor	FL Amps @ High	FL. Eff (%)	"C" Dimension (in)	Voltage (V)	Notes
1	0.75	3600	143/5JM	<b>00136ES1E143JM-W22</b>	<b>\$682</b>	P1	51	1.15	2.4	70	16.811	208-230/460	
1.5	1.1	3600	143/5JM	<b>00156ES1E143JM-W22</b>	<b>\$729</b>	P1	53	1.15	3.4	74	16.811	208-230/460	
		1800	143/5JM	<b>00158ES1E145JM-W22</b>	<b>\$754</b>	P1	69	1.15	3.38	77	16.811	208-230/460	
2	1.5	1800	143/5JM	<b>00218ES1E145JM-W22</b>	<b>\$814</b>	P1	70	1.15	4.56	78.5	16.811	208-230/460	
3	2.2	3600	143/5JM	<b>00336ES1C145JM-W22</b>	<b>\$1,076</b>	P1	72	1.15	12.6	78.5	16.811	208-230	
		1800	182/4JM	<b>00318ES1E184JM-W22</b>	<b>\$1,182</b>	P1	108	1.15	6.9	77	18.543	208-230/460	
		1800	182/4JM	<b>00318ES1B184JM-W22</b>	<b>\$1,182</b>	P1	108	1.15	15.1	77	18.543	115/208-230	
5	3.7	3600	182/4JM	<b>00536ES1C184JM-W22</b>	<b>\$1,457</b>	P1	110	1.15	19	85.5	18.543	208-230	
		1800	182/4JM	<b>00518ES1B184JM-W22</b>	<b>\$1,430</b>	P1	127	1.15	22.4	78	18.543	115/208-230	
7.5	5.5	3600	213/5JM	<b>00736ES1C213JM-W22</b>	<b>\$1,641</b>	P1	169	1.15	28.3	85.5	20.354	208-230	
		1800	213/5JM	<b>00718ES1C215JM-W22</b>	<b>\$1,766</b>	P1	185	1.15	31.7	83	20.354	208-230	
10	7.5	1800	213/5JM	<b>01018ES1E215JM-W22</b>	<b>\$2,057</b>	P1	194	1.15	20.4	84	20.354	208-230/460	
		1800	213/5JM	<b>01018ES1C215JM-W22</b>	<b>\$2,057</b>	P1	197	1.15	40.9	84	20.354	208-230	

Please refer to back cover for description of "NOTES"

For detailed specifications, data sheets, drawings and performance curves visit <http://www.weg.net>

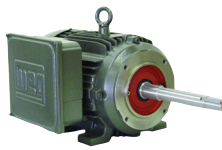
Data subject to change without notice.

Can't find what you are looking for? Call **1-800-ASK-4WEG** (275-4934)

# Pump Motors



## CLOSE-COUPLED PUMP TEFC MOTORS



### JP - TEFC - Single-Phase

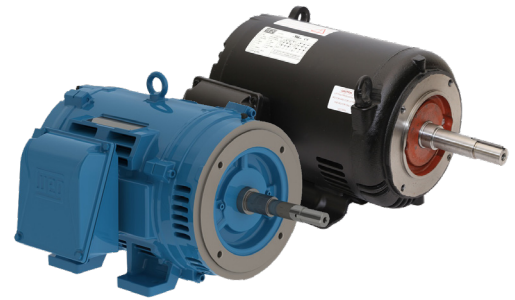
HP	kW	RPM	Frame	Catalog Number	List Price	Mult. Symbol	Approx. Shipping Weight (lbs)	Service Factor	FL Amps @ High	FL. Eff (%)	"C" Dimension (in)	Voltage (V)	Notes
0.5	0.37	3600	143/5JP	.5036ES1E143JP-W22	\$668	P1	51	1.15	1.47	57.7	19.882	208-230/460	
1.5	1.1	3600	143/5JP	00156ES1E143JP-W22	\$729	P1	53	1.15	3.40	74.0	19.882	208-230/460	
2	1.5	3600	143/5JP	00236ES1E145JP-W22	\$770	P1	69	1.15	4.50	77.0	19.882	208-230/460	
		1800	143/5JP	00218ES1E145JP-W22	\$814	P1	69	1.15	4.56	78.5	19.882	208-230/460	
3	2.2	3600	143/5JP	00336ES1E145JP-W22	\$1,076	P1	61	1.15	6.25	78.5	19.882	208-230/460	
		1800	182/4JP	00318ES1E184JP-W22	\$1,182	P1	103	1.15	6.90	77.0	21.614	208-230/460	
		1800	182/4JP	00318ES1B184JP-W22	\$1,182	P1	103	1.15	15.1	77.0	21.614	115/208-230	
5	3.7	3600	182/4JP	00536ES1E184JP-W22	\$1,457	P1	108	1.15	9.50	85.5	21.614	208-230/460	
		3600	182/4JP	00536ES1B184JP-W22	\$1,457	P1	103	1.15	20.8	84.0	21.614	115/208-230	
		1800	182/4JP	00518ES1E184JP-W22	\$1,430	P1	116	1.15	10.7	80.0	21.614	208-230/460	
		1800	182/4JP	00518ES1B184JP-W22	\$1,430	P1	140	1.15	22.4	78.0	21.614	115/208-230	
7.5	5.5	3600	213/5JP	00736ES1E213JP-W22	\$1,641	P1	169	1.15	14.1	85.5	24.212	208-230/460	
		1800	213/5JP	00718ES1E215JP-W22	\$1,762	P1	183	1.15	15.0	83.0	24.212	208-230/460	
10	7.5	3600	213/5JP	01036ES1E215JP-W22	\$2,172	P1	175	1.15	19.4	86.5	24.212	208-230/460	
		3600	213/5JP	01036ES1C215JP-W22	\$2,172	P1	175	1.15	38.9	86.5	24.212	208-230	
		1800	213/5JP	01018ES1E215JP-W22	\$2,057	P1	199	1.15	20.4	84.0	24.212	208-230/460	

# Pump Motors

## CLOSE-COUPLED PUMP MOTORS

### ODP - Three Phase

WEG Open Drip Proof motors are designed to meet demanding applications in environments where dirt and humidity are minimal. These motors are specifically designed to provide maximum ventilation and heat dissipation.



**Inverter Rated: 1000 : 1 for variable torque**

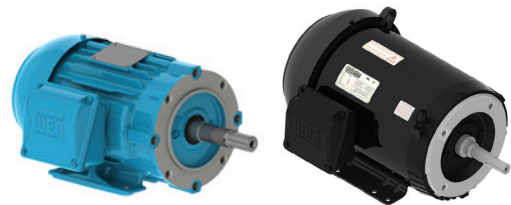
#### Features that make a difference:

- For rolled steel motors: 50/60 Hz rated (380V on Nameplate - 400/415 Available - Same Horse Power at 50 Hz with a 1.0 Service Factor)
- For W40 - cast iron motors: Nameplated 50 Hz at reduced HP IE3 efficiency and CE mark
- Class F insulation (Impregnation Resin and Magnet wire are class H)
- F1 Mounted (Cast Iron Frame motors are F2 convertible)
- Stainless Steel Nameplate - Laser etched with high contrast background (Cast Iron Frame only)
- Regreasable ball bearings (Frames 254JM/JP and up)
- AEGIS Ring™ inside available

### TEFC - Three Phase

High performance with maximum energy efficiency, this is the meaning of the new WEG electric motor. High efficiency and Low cost of Ownership throughout the entire motor lifetime have been the basis for the W22 development. A design created to anticipate concepts on performance and energy savings.

WEG's W22 cast iron platform has an improved cooling system and solid feet for cooler operation and reduced vibration and noise extending the life of the motor.



**Inverter Rated: 1000 : 1 for variable torque**

#### Features that make a difference:

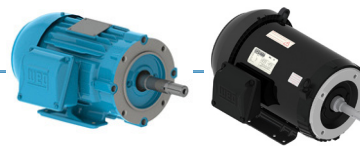
- 1.25 Service Factor
- Optimized ventilation system for cooler operation and reduced noise levels
- Solid base for reduced vibration levels
- NPT Threaded terminal box
- AEGIS Ring™ inside available

#### Standard Features:

- 50/60 Hz rated (380V on Nameplate - 400/415 Available - Same Horse Power at 50 Hz with a 1.0 Service Factor)
- Class F insulation (Impregnation Resin and Magnet wire are class H)
- F1 Mounted (Cast Iron frames are F2 convertible)
- Stainless Steel Nameplate - Laser etched with high contrast background (cast iron frame only)
- Regreasable ball bearings (Frames 254JM/JP and up)
- Gasketed conduit box
- Class I, Div. 2, Groups A, B, C & D – T3, Class II, Div 2, Groups F & G – T3C

# Pump Motors

## CLOSE-COUPLED PUMP TEFC MOTORS



### JM - TEFC - Three-Phase

HP	kW	RPM	Frame	Catalog Number	List Price	Mult. Symbol	Approx. Shipping Weight (lbs)	Service Factor	FL Amps @ High	FL. Eff (%)	"C" Dimension (in)	Voltage (V)	Notes
1	0.75	1800	143/5JM	<a href="#">00118ET3E143JM-S</a>	\$613	P1S	45	1.15	1.50	85.5	16.102	230/460	9
		1800	143/5JM	<a href="#">00118ET3H143JM-S</a>	\$613	P1S	45	1.15	1.20	85.5	16.102	575	9
		1800	143/5JM	<a href="#">00118ET3V143JM-S</a>	\$613	P1S	45	1.15	1.70	85.5	16.102	200/400	9
		1800	143/5JM	<a href="#">00118ET3E143JM-W22</a>	\$613	P1	55	1.25	1.47	85.5	15.675	230/460	
		1800	143/5JM	<a href="#">00118ET3H143JM-W22</a>	\$613	P1	55	1.25	1.18	85.5	15.675	575	
		1200	143/5JM	<a href="#">00112ET3E145JM-S</a>	\$700	P1S	45	1.15	1.60	82.5	16.102	230/460	9
		1200	143/5JM	<a href="#">00112ET3E145JM-W22</a>	\$700	P1	62	1.25	1.73	82.5	15.675	230/460	
1.5	1.1	3600	143/5JM	<a href="#">00156ET3E143JM-S</a>	\$710	P1S	41	1.15	1.90	84.0	15.709	230/460	9
		3600	143/5JM	<a href="#">00156ET3E143JM-W22</a>	\$710	P1	57	1.25	1.96	84.0	15.675	230/460	
		1800	143/5JM	<a href="#">00158ET3E145JM-S</a>	\$643	P1S	47	1.15	2.00	86.5	16.102	230/460	9
		1800	143/5JM	<a href="#">00158ET3H145JM-S</a>	\$643	P1S	47	1.15	1.60	86.5	16.102	575	9
		1800	143/5JM	<a href="#">00158ET3V145JM-S</a>	\$643	P1S	47	1.15	2.30	86.5	16.102	200/400	9
		1800	143/5JM	<a href="#">00158ET3E145JM-W22</a>	\$643	P1	61	1.25	2.02	86.5	15.675	230/460	
		1800	143/5JM	<a href="#">00158ET3H145JM-W22</a>	\$643	P1	61	1.25	1.62	86.5	15.675	575	
		1200	182/4JM	<a href="#">00152ET3E182JM-S</a>	\$909	P1S	84	1.15	2.20	87.5	17.835	230/460	9
1200	182/4JM	<a href="#">00152ET3E182JM-W22</a>	\$909	P1	99	1.25	2.54	87.5	17.411	230/460			
2	1.5	3600	143/5JM	<a href="#">00236ET3E145JM-S</a>	\$683	P1S	47	1.15	2.50	85.5	16.496	230/460	9
		3600	143/5JM	<a href="#">00236ET3H145JM-S</a>	\$683	P1S	47	1.15	2.00	85.5	16.496	575	9;51
		3600	143/5JM	<a href="#">00236ET3V145JM-S</a>	\$683	P1S	47	1.15	2.80	85.5	16.496	200/400	9
		3600	143/5JM	<a href="#">00236ET3E145JM-W22</a>	\$683	P1	61	1.25	2.56	85.5	15.675	230/460	
		3600	143/5JM	<a href="#">00236ET3H145JM-W22</a>	\$683	P1	58	1.25	2.05	85.5	15.675	575	
		1800	143/5JM	<a href="#">00218ET3E145JM-S</a>	\$707	P1S	50	1.15	2.70	86.5	16.496	230/460	9
		1800	143/5JM	<a href="#">00218ET3H145JM-S</a>	\$707	P1S	50	1.15	2.20	86.5	16.496	575	9
		1800	143/5JM	<a href="#">00218ET3V145JM-S</a>	\$707	P1S	50	1.15	3.10	86.5	16.496	200/400	9
		1800	143/5JM	<a href="#">00218ET3E145JM-W22</a>	\$707	P1	62	1.25	2.76	86.5	15.675	230/460	
		1800	143/5JM	<a href="#">00218ET3H145JM-W22</a>	\$707	P1	62	1.25	2.21	86.5	15.675	575	
		1200	182/4JM	<a href="#">00212ET3E184JM-S</a>	\$1,021	P1S	97	1.15	3.00	88.5	18.622	230/460	9
		1200	182/4JM	<a href="#">00212ET3E184JM-W22</a>	\$1,021	P1	105	1.25	3.23	88.5	17.411	230/460	39
3	2.2	3600	143/5JM	<a href="#">00336ET3E145JM-S</a>	\$897	P1S	56	1.15	3.50	86.5	17.677	230/460	9;12
		3600	143/5JM	<a href="#">00336ET3H145JM-S</a>	\$897	P1S	56	1.15	2.80	86.5	17.677	575	9;12
		3600	182/4JM	<a href="#">00336ET3E182JM-S</a>	\$918	P1S	81	1.15	3.70	86.5	17.835	230/460	9
		3600	182/4JM	<a href="#">00336ET3H182JM-S</a>	\$918	P1S	81	1.15	2.90	86.5	17.835	575	9
		3600	143/5JM	<a href="#">00336ET3E145JM-W22</a>	\$764	P1	60	1.25	3.71	86.5	15.675	230/460	12
		3600	143/5JM	<a href="#">00336ET3H145JM-W22</a>	\$764	P1	60	1.25	2.97	86.5	15.675	575	12
		3600	182/4JM	<a href="#">00336ET3E182JM-W22</a>	\$918	P1	101	1.25	3.63	86.5	17.411	230/460	
		3600	182/4JM	<a href="#">00336ET3H182JM-W22</a>	\$918	P1	101	1.25	2.90	86.5	17.411	575	
		1800	182/4JM	<a href="#">00318ET3E182JM-S</a>	\$1,022	P1S	101	1.15	3.80	89.5	19.409	230/460	9
		1800	182/4JM	<a href="#">00318ET3H182JM-S</a>	\$1,022	P1S	101	1.15	3.10	89.5	19.409	575	9
		1800	182/4JM	<a href="#">00318ET3V182JM-S</a>	\$1,022	P1S	101	1.15	4.40	89.5	19.409	200/400	9
		1800	182/4JM	<a href="#">00318ET3E182JMV-S</a>	\$1,080	P1S	101	1.15	3.80	89.5	20.749	230/460	9;15
		1800	182/4JM	<a href="#">00318ET3E182JM-W22</a>	\$1,022	P1	97	1.25	3.91	89.5	17.411	230/460	
		1800	182/4JM	<a href="#">00318ET3H182JM-W22</a>	\$1,022	P1	96	1.25	3.13	89.5	17.411	575	
		1200	213/5JM	<a href="#">00312ET3E213JM-S</a>	\$1,423	P1S	147	1.15	4.20	89.5	20.433	230/460	9
		1200	213/5JM	<a href="#">00312ET3E213JM-W22</a>	\$1,423	P1	160	1.25	4.41	89.5	20.392	230/460	

continued on next page

Please refer to back cover for description of "NOTES"

For detailed specifications, data sheets, drawings and performance curves visit <http://www.weg.net>

### JM - TEFC - Three-Phase - *continued*

HP	kW	RPM	Frame	Catalog Number	List Price	Mult. Symbol	Approx. Shipping Weight (lbs)	Service Factor	FL Amps @ High	FL. Eff (%)	"C" Dimension (in)	Voltage (V)	Notes
5	3.7	3600	182/4JM	<a href="#">00536ET3E184JM-S</a>	\$1,075	P1S	99	1.15	5.90	88.5	19.409	230/460	9
		3600	182/4JM	<a href="#">00536ET3H184JM-S</a>	\$1,075	P1S	99	1.15	4.70	88.5	19.409	575	9
		3600	182/4JM	<a href="#">00536ET3P184JM-S</a>	\$1,075	P1S	99	1.15	13.6	88.5	19.409	200	9
		3600	182/4JM	<a href="#">00536ET3V184JM-S</a>	\$1,075	P1S	99	1.15	6.80	88.5	19.409	200/400	9
		3600	182/4JM	<a href="#">00536ET3E184JMV-S</a>	\$1,247	P1S	99	1.15	5.90	88.5	20.749	230/460	9;15;51
		3600	182/4JM	<a href="#">00536ET3E184JM-W22</a>	\$1,075	P1	108	1.25	5.90	88.5	17.411	230/460	
		3600	182/4JM	<a href="#">00536ET3H184JM-W22</a>	\$1,075	P1	107	1.25	4.72	88.5	17.411	575	
		1800	182/4JM	<a href="#">00518ET3E184JM-S</a>	\$1,141	P1S	94	1.15	6.50	89.5	19.409	230/460	9
		1800	182/4JM	<a href="#">00518ET3H184JM-S</a>	\$1,141	P1S	94	1.15	5.20	89.5	19.409	575	9
		1800	182/4JM	<a href="#">00518ET3P184JM-S</a>	\$1,141	P1S	94	1.15	14.9	89.5	19.409	200	9
		1800	182/4JM	<a href="#">00518ET3V184JM-S</a>	\$1,141	P1S	94	1.15	7.50	89.5	19.409	200/400	9
		1800	182/4JM	<a href="#">00518ET3E184JMV-S</a>	\$1,199	P1S	94	1.15	6.50	89.5	20.749	230/460	9;15
		1800	182/4JM	<a href="#">00518ET3E184JM-W22</a>	\$1,141	P1	106	1.25	6.45	89.5	17.411	230/460	
		1800	182/4JM	<a href="#">00518ET3H184JM-W22</a>	\$1,141	P1	106	1.25	5.16	89.5	17.411	575	
		1800	182/4JM	<a href="#">00518ET3P184JM-W22</a>	\$1,141	P1	106	1.25	14.8	89.5	17.411	200	
		1200	213/5JM	<a href="#">00512ET3E215JM-S</a>	\$1,769	P1S	163	1.15	6.70	89.5	21.220	230/460	9
1200	213/5JM	<a href="#">00512ET3E215JM-W22</a>	\$1,769	P1	180	1.25	6.83	89.5	20.392	230/460			
7.5	5.5	3600	182/4JM	<a href="#">00736ET3E184JM-S</a>	\$1,313	P1S	102	1.15	8.60	89.5	18.622	230/460	9;12
		3600	213/5JM	<a href="#">00736ET3E213JM-S</a>	\$1,419	P1S	152	1.15	8.70	89.5	21.220	230/460	9
		3600	182/4JM	<a href="#">00736ET3H184JM-S</a>	\$1,313	P1S	102	1.15	6.90	89.5	18.622	575	9
		3600	213/5JM	<a href="#">00736ET3H213JM-S</a>	\$1,419	P1S	152	1.15	6.90	89.5	21.220	575	9
		3600	213/5JM	<a href="#">00736ET3V213JM-S</a>	\$1,419	P1S	152	1.15	10.0	89.5	21.220	200/400	9
		3600	182/4JM	<a href="#">00736ET3E184JM-W22</a>	\$1,313	P1	108	1.25	8.76	89.5	17.411	230/460	12
		3600	182/4JM	<a href="#">00736ET3H184JM-W22</a>	\$1,313	P1	108	1.25	7.01	89.5	17.411	575	12
		3600	213/5JM	<a href="#">00736ET3E213JM-W22</a>	\$1,419	P1	168	1.25	8.76	89.5	20.392	230/460	
		3600	213/5JM	<a href="#">00736ET3H213JM-W22</a>	\$1,419	P1	163	1.25	7.01	89.5	20.392	575	
		1800	213/5JM	<a href="#">00718ET3E213JM-S</a>	\$1,519	P1S	139	1.15	9.10	91.7	20.039	230/460	9
		1800	213/5JM	<a href="#">00718ET3H213JM-S</a>	\$1,519	P1S	139	1.15	7.30	91.7	20.039	575	9
		1800	213/5JM	<a href="#">00718ET3P213JM-S</a>	\$1,519	P1S	139	1.15	20.8	91.7	20.039	200	9;51
		1800	213/5JM	<a href="#">00718ET3V213JM-S</a>	\$1,519	P1S	139	1.15	10.4	91.7	20.039	200/400	9
		1800	213/5JM	<a href="#">00718ET3E213JM-W22</a>	\$1,519	P1	180	1.25	9.18	91.7	20.392	230/460	
		1800	213/5JM	<a href="#">00718ET3H213JM-W22</a>	\$1,519	P1	179	1.25	7.34	91.7	20.392	575	
		1200	254/6JM	<a href="#">00712ET3E254JM-S</a>	\$2,455	P1S	247	1.15	10.0	91.0	24.055	230/460	9
1200	254/6JM	<a href="#">00712ET3E254JM-W22</a>	\$2,455	P1	319	1.25	9.48	91.0	26.226	230/460			
10	7.5	3600	213/5JM	<a href="#">01036ET3E215JM-S</a>	\$1,769	P1S	179	1.15	11.5	90.2	22.795	230/460	9
		3600	213/5JM	<a href="#">01036ET3H215JM-S</a>	\$1,769	P1S	179	1.15	9.20	90.2	22.795	575	9
		3600	213/5JM	<a href="#">01036ET3V215JM-S</a>	\$1,769	P1S	179	1.15	13.2	90.2	22.795	200/400	9
		3600	213/5JM	<a href="#">01036ET3E215JM-W22</a>	\$1,769	P1	185	1.25	11.6	90.2	20.392	230/460	
		3600	213/5JM	<a href="#">01036ET3H215JM-W22</a>	\$1,769	P1	185	1.25	9.28	90.2	20.392	575	
		1800	213/5JM	<a href="#">01018ET3E215JM-S</a>	\$1,792	P1S	151	1.15	12.2	91.7	20.433	230/460	9
		1800	213/5JM	<a href="#">01018ET3H215JM-S</a>	\$1,792	P1S	151	1.15	9.80	91.7	20.433	575	9
		1800	213/5JM	<a href="#">01018ET3V215JM-S</a>	\$1,792	P1S	151	1.15	14.0	91.7	20.433	200/400	9
		1800	213/5JM	<a href="#">01018ET3E215JM-W22</a>	\$1,792	P1	193	1.25	12.4	91.7	20.392	230/460	
		1800	213/5JM	<a href="#">01018ET3H215JM-W22</a>	\$1,792	P1	193	1.25	9.92	91.7	20.392	575	
		1200	254/6JM	<a href="#">01012ET3E256JM-S</a>	\$2,979	P1S	278	1.15	13.8	91.0	24.843	230/460	9
		1200	254/6JM	<a href="#">01012ET3E256JM-W22</a>	\$2,979	P1	327	1.25	12.9	91.0	26.226	230/460	

*continued on next page*

Please refer to back cover for description of "NOTES"

For detailed specifications, data sheets, drawings and performance curves visit <http://www.weg.net>

Data subject to change without notice.

Can't find what you are looking for? Call 1-800-ASK-4WEG (275-4934)

## CLOSE-COUPLED PUMP TEFC MOTORS

### JM - TEFC - Three-Phase - *continued*

HP	kW	RPM	Frame	Catalog Number	List Price	Mult. Symbol	Approx. Shipping Weight (lbs)	Service Factor	FL Amps @ High	FL Eff (%)	"C" Dimension (in)	Voltage (V)	Notes
15	11	3600	213/5JM	<a href="#">01536ET3E215JM-S</a>	<b>\$2,058</b>	P1S	178	1.15	17.0	91.0	22.795	230/460	9;12
		3600	213/5JM	<a href="#">01536ET3H215JM-S</a>	<b>\$2,058</b>	P1S	178	1.15	13.6	91.0	22.795	575	9;12
		3600	213/5JM	<a href="#">01536ET3V215JM-S</a>	<b>\$2,058</b>	P1S	178	1.15	19.5	91.0	22.795	200/400	9;12
		3600	213/5JM	<a href="#">01536ET3E215JM-W22</a>	<b>\$2,058</b>	P1	187	1.25	17.0	91.0	20.392	230/460	12
		3600	213/5JM	<a href="#">01536ET3H215JM-W22</a>	<b>\$2,058</b>	P1	185	1.25	13.8	91.0	20.392	575	12
		3600	254/6JM	<a href="#">01536ET3E254JM-S</a>	<b>\$2,214</b>	P1S	216	1.15	17.4	91.0	24.055	230/460	9;12
		3600	254/6JM	<a href="#">01536ET3H254JM-S</a>	<b>\$2,214</b>	P1S	216	1.15	13.9	91.0	24.055	575	9
		3600	254/6JM	<a href="#">01536ET3V254JM-S</a>	<b>\$2,214</b>	P1S	216	1.15	20.0	91.0	24.055	200/400	9
		3600	254/6JM	<a href="#">01536ET3E254JM-W22</a>	<b>\$2,214</b>	P1	301	1.25	17.2	91.0	26.226	230/460	
		3600	254/6JM	<a href="#">01536ET3H254JM-W22</a>	<b>\$2,214</b>	P1	300	1.25	13.8	91.0	26.226	575	
		1800	254/6JM	<a href="#">01518ET3E254JM-S</a>	<b>\$2,609</b>	P1S	249	1.15	18.2	92.4	24.055	230/460	9
		1800	254/6JM	<a href="#">01518ET3H254JM-S</a>	<b>\$2,609</b>	P1S	249	1.15	14.6	92.4	24.055	575	9
		1800	254/6JM	<a href="#">01518ET3V254JM-S</a>	<b>\$2,609</b>	P1S	249	1.15	20.9	92.4	24.055	200/400	9
		1800	254/6JM	<a href="#">01518ET3E254JM-W22</a>	<b>\$2,609</b>	P1	350	1.25	18.0	92.4	26.226	230/460	
		1800	254/6JM	<a href="#">01518ET3H254JM-W22</a>	<b>\$2,609</b>	P1	349	1.25	14.4	92.4	26.226	575	
1200	284/6JM	<a href="#">01512ET3E284JM-W22</a>	<b>\$3,912</b>	P1	434	1.25	17.9	91.7	28.700	230/460			
20	15	3600	254/6JM	<a href="#">02036ET3E256JM-S</a>	<b>\$2,965</b>	P1S	257	1.15	22.7	91.0	24.843	230/460	9
		3600	254/6JM	<a href="#">02036ET3H256JM-S</a>	<b>\$2,965</b>	P1S	257	1.15	18.2	91.0	24.843	575	9
		3600	254/6JM	<a href="#">02036ET3V256JM-S</a>	<b>\$2,965</b>	P1S	257	1.15	26.1	91.0	24.843	200/400	9
		3600	254/6JM	<a href="#">02036ET3E256JM-W22</a>	<b>\$2,965</b>	P1	327	1.25	23.2	91.0	26.226	230/460	
		3600	254/6JM	<a href="#">02036ET3H256JM-W22</a>	<b>\$2,965</b>	P1	325	1.25	18.6	91.0	26.226	575	
		1800	254/6JM	<a href="#">02018ET3E256JM-S</a>	<b>\$2,857</b>	P1S	279	1.15	24.7	93.0	24.843	230/460	9
		1800	254/6JM	<a href="#">02018ET3H256JM-S</a>	<b>\$2,857</b>	P1S	279	1.15	19.8	92.4	24.843	575	9
		1800	254/6JM	<a href="#">02018ET3V256JM-S</a>	<b>\$2,857</b>	P1S	279	1.15	28.4	93.0	24.843	200/400	9
		1800	254/6JM	<a href="#">02018ET3E256JM-W22</a>	<b>\$2,857</b>	P1	399	1.25	24.1	93.0	26.226	230/460	
		1800	254/6JM	<a href="#">02018ET3H256JM-W22</a>	<b>\$2,857</b>	P1	398	1.25	19.3	93.0	26.226	575	
1200	284/6JM	<a href="#">02012ET3E286JM-W22</a>	<b>\$4,940</b>	P1	461	1.25	24.2	91.7	28.700	230/460			
25	18.5	3600	254/6JM	<a href="#">02536ET3E256JM-S</a>	<b>\$3,231</b>	P1S	267	1.15	28.5	91.7	24.843	230/460	9
		3600	254/6JM	<a href="#">02536ET3H256JM-S</a>	<b>\$3,231</b>	P1S	267	1.15	22.8	91.7	24.843	575	9
		3600	254/6JM	<a href="#">02536ET3V256JM-S</a>	<b>\$3,231</b>	P1S	267	1.15	32.8	91.7	24.843	200/400	9
		3600	254/6JM	<a href="#">02536ET3E256JM-W22</a>	<b>\$3,231</b>	P1	375	1.00	28.1	91.7	26.226	230/460	
		3600	254/6JM	<a href="#">02536ET3H256JM-W22</a>	<b>\$3,231</b>	P1	374	1.00	22.5	91.7	26.226	575	
		3600	284/6JM	<a href="#">02536ET3E284JM-W22</a>	<b>\$3,619</b>	P1	421	1.25	28.5	91.7	28.700	230/460	
		3600	284/6JM	<a href="#">02536ET3H284JM-W22</a>	<b>\$3,619</b>	P1	416	1.25	22.8	91.7	28.700	575	
		1800	284/6JM	<a href="#">02518ET3E284JM-W22</a>	<b>\$3,734</b>	P1	452	1.25	29.5	93.6	28.700	230/460	
		1800	284/6JM	<a href="#">02518ET3H284JM-W22</a>	<b>\$3,734</b>	P1	451	1.25	23.6	93.6	28.700	575	
		1200	324/6JM	<a href="#">02512ET3E324JM-W22</a>	<b>\$5,546</b>	P1	598	1.25	30.4	93.0	29.645	230/460	
30	22	3600	284/6JM	<a href="#">03036ET3E286JM-W22</a>	<b>\$4,539</b>	P1	439	1.25	33.8	91.7	28.700	230/460	
		3600	284/6JM	<a href="#">03036ET3H286JM-W22</a>	<b>\$4,539</b>	P1	439	1.25	27.0	91.7	28.700	575	
		1800	284/6JM	<a href="#">03018ET3E286JM-W22</a>	<b>\$4,096</b>	P1	490	1.25	35.1	93.6	28.700	230/460	
		1800	284/6JM	<a href="#">03018ET3H286JM-W22</a>	<b>\$4,096</b>	P1	490	1.25	28.1	93.6	28.700	575	51
		1200	324/6JM	<a href="#">03012ET3E326JM-W22</a>	<b>\$6,686</b>	P1	636	1.25	36.2	93.0	29.645	230/460	

*continued on next page*

### JM - TEFC - Three-Phase - continued

HP	kW	RPM	Frame	Catalog Number	List Price	Mult. Symbol	Approx. Shipping Weight (lbs)	Service Factor	FL Amps @ High	FL. Eff (%)	"C" Dimension (in)	Voltage (V)	Notes
40	30	3600	284/6JM	<a href="#">04036ET3E286JM-W22</a>	\$5,368	P1	469	1.00	45.8	92.4	28.700	230/460	37
		3600	284/6JM	<a href="#">04036ET3H286JM-W22</a>	\$5,368	P1	586	1.00	36.6	92.4	28.700	575	37;51
		3600	324/6JM	<a href="#">04036ET3E324JM-W22</a>	\$5,534	P1	605	1.25	45.8	92.4	29.645	230/460	
		3600	324/6JM	<a href="#">04036ET3H324JM-W22</a>	\$5,534	P1	604	1.25	36.6	92.4	29.645	575	51
		1800	324/6JM	<a href="#">04018ET3E324JM-W22</a>	\$5,316	P1	628	1.25	47.1	94.1	29.645	230/460	
		1800	324/6JM	<a href="#">04018ET3H324JM-W22</a>	\$5,316	P1	621	1.25	37.7	94.1	29.645	575	51
		1200	364/5JM	<a href="#">04012ET3E364JM-W22</a>	\$8,807	P1	1023	1.25	46.5	94.1	33.031	230/460	
50	37	3600	324/6JM	<a href="#">05036ET3E326JM-W22</a>	\$6,622	P1	623	1.25	56.1	93.0	29.645	230/460	
		1800	324/6JM	<a href="#">05018ET3E326JM-W22</a>	\$6,513	P1	651	1.25	59.2	94.5	29.645	230/460	
		1800	324/6JM	<a href="#">05018ET3H326JM-W22</a>	\$6,513	P1	648	1.25	47.4	94.5	29.645	575	
		1200	364/5JM	<a href="#">05012ET3E365JM-W22</a>	\$10,551	P1	1040	1.25	57.4	94.1	33.031	230/460	
60	45	3600	324/6JM	<a href="#">06036ET3E326JM-W22</a>	\$7,699	P1	630	1.00	70.2	93.6	29.645	230/460	37
		3600	364/5JM	<a href="#">06036ET3E364JM-W22</a>	\$8,261	P1	985	1.25	67.0	93.6	33.832	230/460	
		3600	364/5JM	<a href="#">06036ET3H364JM-W22</a>	\$8,261	P1	941	1.25	53.6	93.6	33.832	575	
		1800	364/5JM	<a href="#">06018ET3E364JM-W22</a>	\$8,912	P1	1048	1.25	68.3	95.0	33.031	230/460	
		1800	364/5JM	<a href="#">06018ET3H364JM-W22</a>	\$8,912	P1	1037	1.25	54.6	95.0	33.031	575	
75	55	3600	364/5JM	<a href="#">07536ET3E365JM-W22</a>	\$11,124	P1	989	1.25	81.9	93.6	33.832	230/460	
		3600	364/5JM	<a href="#">07536ET3H365JM-W22</a>	\$11,124	P1	992	1.25	65.5	93.6	33.832	575	
		1800	364/5JM	<a href="#">07518ET3E365JM-W22</a>	\$10,057	P1	1065	1.25	84.1	95.4	33.031	230/460	
		1800	364/5JM	<a href="#">07518ET3H365JM-W22</a>	\$10,057	P1	1039	1.25	67.3	95.4	33.031	575	
100	75	3600	404/5TCZ	<a href="#">10036ET3E405JM-W22</a>	\$13,093	P1	1220	1.25	110	94.1	37.724	230/460	
		3600	404/5TCZ	<a href="#">10036ET3G405JM-W22</a>	\$13,093	P1	1215	1.25	110	94.1	37.724	460	
		1800	404/5TCZ	<a href="#">10018ET3E405JM-W22</a>	\$12,300	P1	1321	1.25	111	95.4	37.724	230/460	
		1800	404/5TCZ	<a href="#">10018ET3G405JM-W22</a>	\$12,300	P1	1318	1.25	111	95.4	37.724	460	

Please refer to back cover for description of "NOTES"

For detailed specifications, data sheets, drawings and performance curves visit <http://www.weg.net>

Data subject to change without notice.

Can't find what you are looking for? Call 1-800-ASK-4WEG (275-4934)

# Pump Motors

## CLOSE-COUPLED PUMP TEFC MOTORS

### JP - TEFC - Three-Phase



HP	kW	RPM	Frame	Catalog Number	List Price	Mult. Symbol	Approx. Shipping Weight (lbs)	Service Factor	FL Amps @ High	FL. Eff (%)	"C" Dimension (in)	Voltage (V)	Notes
1	0.75	1800	143/5JP	<a href="#">00118ET3E143JP-S</a>	\$624	P1S	50	1.15	1.50	85.5	19.173	230/460	9
		1800	143/5JP	<a href="#">00118ET3E143JP-W22</a>	\$624	P1	53	1.25	1.47	85.5	18.736	230/460	
		1200	143/5JP	<a href="#">00112ET3E145JP-S</a>	\$714	P1S	47	1.15	1.60	82.5	19.173	230/460	9
		1200	143/5JP	<a href="#">00112ET3E145JP-W22</a>	\$714	P1	55	1.25	1.73	82.5	18.736	230/460	
1.5	1.1	3600	143/5JP	<a href="#">00156ET3E143JP-S</a>	\$649	P1S	46	1.15	1.90	84.0	18.780	230/460	9
		3600	143/5JP	<a href="#">00156ET3E143JP-W22</a>	\$649	P1	51	1.25	1.96	84.0	18.736	230/460	
		1800	143/5JP	<a href="#">00158ET3E145JP-S</a>	\$653	P1S	52	1.15	2.00	86.5	19.173	230/460	9
		1800	143/5JP	<a href="#">00158ET3E145JP-W22</a>	\$653	P1	58	1.25	2.02	86.5	18.736	230/460	
		1200	182/4JP	<a href="#">00152ET3E182JP-S</a>	\$924	P1S	86	1.15	2.20	87.5	20.906	230/460	9
		1200	182/4JP	<a href="#">00152ET3E182JP-W22</a>	\$924	P1	74	1.25	2.54	87.5	20.475	230/460	
2	1.5	3600	143/5JP	<a href="#">00236ET3E145JP-S</a>	\$694	P1S	52	1.15	2.50	85.5	19.567	230/460	9
		3600	143/5JP	<a href="#">00236ET3E145JP-W22</a>	\$694	P1	59	1.25	2.56	85.5	18.736	230/460	
		1800	143/5JP	<a href="#">00218ET3E145JP-S</a>	\$718	P1S	55	1.15	2.70	86.5	19.567	230/460	9
		1800	143/5JP	<a href="#">00218ET3E145JP-W22</a>	\$718	P1	59	1.25	2.76	86.5	18.736	230/460	
		1200	182/4JP	<a href="#">00212ET3E184JP-S</a>	\$1,040	P1S	100	1.15	3.00	88.5	21.693	230/460	9
		1200	182/4JP	<a href="#">00212ET3E184JP-W22</a>	\$1,040	P1	91	1.25	3.23	88.5	20.475	230/460	
3	2.2	3600	143/5JP	<a href="#">00336ET3E145JP-S</a>	\$915	P1S	61	1.15	3.50	86.5	20.748	230/460	9;12
		3600	143/5JP	<a href="#">00336ET3E145JP-W22</a>	\$915	P1	61	1.25	3.71	86.5	18.736	230/460	12
		3600	182/4JP	<a href="#">00336ET3E182JP-S</a>	\$933	P1S	88	1.15	3.70	86.5	20.906	230/460	9
		3600	182/4JP	<a href="#">00336ET3E182JP-W22</a>	\$933	P1	111	1.25	3.63	86.5	20.475	230/460	
		3600	182/4JP	<a href="#">00336ET3H182JP-W22</a>	\$933	P1	103	1.25	2.90	86.5	20.475	575	
		1800	182/4JP	<a href="#">00318ET3E182JP-S</a>	\$1,041	P1S	108	1.15	3.80	89.5	22.480	230/460	9
		1800	182/4JP	<a href="#">00318ET3H182JP-S</a>	\$1,041	P1S	108	1.15	3.10	89.5	22.480	575	9
		1800	182/4JP	<a href="#">00318ET3E182JP-W22</a>	\$1,041	P1	107	1.25	3.91	89.5	20.475	230/460	
		1800	182/4JP	<a href="#">00318ET3H182JP-W22</a>	\$1,041	P1	100	1.25	3.13	89.5	20.475	575	51
		1200	213/5JP	<a href="#">00312ET3E213JP-S</a>	\$1,449	P1S	152	1.15	4.20	89.5	24.291	230/460	9,51
1200	213/5JP	<a href="#">00312ET3E213JP-W22</a>	\$1,449	P1	126	1.25	4.41	89.5	24.264	230/460			
5	3.7	3600	182/4JP	<a href="#">00536ET3E184JP-S</a>	\$1,094	P1S	106	1.15	5.90	88.5	22.480	230/460	9
		3600	182/4JP	<a href="#">00536ET3E184JP-W22</a>	\$1,094	P1	118	1.25	5.90	88.5	20.475	230/460	
		3600	182/4JP	<a href="#">00536ET3H184JP-W22</a>	\$1,094	P1	113	1.25	4.72	88.5	20.475	575	
		1800	182/4JP	<a href="#">00518ET3E184JP-S</a>	\$1,161	P1S	105	1.15	6.50	89.5	22.480	230/460	9
		1800	182/4JP	<a href="#">00518ET3H184JP-S</a>	\$1,161	P1S	105	1.15	5.20	89.5	22.480	575	9
		1800	182/4JP	<a href="#">00518ET3E184JP-W22</a>	\$1,161	P1	117	1.25	6.45	89.5	20.475	230/460	
		1800	182/4JP	<a href="#">00518ET3H184JP-W22</a>	\$1,161	P1	116	1.25	5.16	89.5	20.475	575	51
		1200	213/5JP	<a href="#">00512ET3E215JP-S</a>	\$1,801	P1S	171	1.15	6.70	89.5	25.079	230/460	9,51
		1200	213/5JP	<a href="#">00512ET3E215JP-W22</a>	\$1,801	P1	193	1.25	6.83	89.5	24.264	230/460	

continued on next page



## CLOSE-COUPLED PUMP TEFC MOTORS

### JP - TEFC - Three-Phase - continued

HP	kW	RPM	Frame	Catalog Number	List Price	Mult. Symbol	Approx. Shipping Weight (lbs)	Service Factor	FL Amps @ High	FL Eff (%)	"C" Dimension (in)	Voltage (V)	Notes
7.5	5.5	3600	182/4JP	<a href="#">00736ET3E184JP-S</a>	\$1,339	P1S	109	1.15	8.60	89.5	21.693	230/460	9;12
		3600	182/4JP	<a href="#">00736ET3E184JP-W22</a>	\$1,339	P1	118	1.25	8.76	89.5	20.475	230/460	12
		3600	213/5JP	<a href="#">00736ET3E213JP-S</a>	\$1,445	P1S	161	1.15	8.70	89.5	25.079	230/460	9,51
		3600	213/5JP	<a href="#">00736ET3H213JP-S</a>	\$1,445	P1S	161	1.15	6.90	89.5	25.079	575	9
		3600	213/5JP	<a href="#">00736ET3E213JP-W22</a>	\$1,445	P1	177	1.25	8.76	89.5	24.264	230/460	
		3600	213/5JP	<a href="#">00736ET3H213JP-W22</a>	\$1,445	P1	168	1.25	7.01	89.5	24.264	575	51
		1800	213/5JP	<a href="#">00718ET3E213JP-S</a>	\$1,543	P1S	148	1.15	9.10	91.7	23.898	230/460	9
		1800	213/5JP	<a href="#">00718ET3H213JP-S</a>	\$1,543	P1S	148	1.15	7.30	91.7	23.898	575	9,51
		1800	213/5JP	<a href="#">00718ET3V213JP-S</a>	\$1,543	P1S	148	1.15	10.4	91.7	23.898	200/400	9,51
		1800	213/5JP	<a href="#">00718ET3E213JP-W22</a>	\$1,543	P1	189	1.25	9.18	91.7	24.264	230/460	
		1800	213/5JP	<a href="#">00718ET3H213JP-W22</a>	\$1,543	P1	188	1.25	7.34	91.7	24.264	575	
		1200	254/6JP	<a href="#">00712ET3E254JP-S</a>	\$2,495	P1S	256	1.15	10.0	91.0	26.929	230/460	9,51
1200	254/6JP	<a href="#">00712ET3E254JP-W22</a>	\$2,495	P1	323	1.25	9.48	91.0	29.106	230/460			
10	7.5	3600	213/5JP	<a href="#">01036ET3E215JP-S</a>	\$1,801	P1S	184	1.15	11.5	90.2	26.654	230/460	9
		3600	213/5JP	<a href="#">01036ET3H215JP-S</a>	\$1,801	P1S	184	1.15	9.20	90.2	26.654	575	9
		3600	213/5JP	<a href="#">01036ET3E215JP-W22</a>	\$1,801	P1	195	1.25	11.6	90.2	24.264	230/460	
		3600	213/5JP	<a href="#">01036ET3H215JP-W22</a>	\$1,801	P1	191	1.25	9.28	90.2	24.264	575	
		1800	213/5JP	<a href="#">01018ET3E215JP-S</a>	\$1,823	P1S	160	1.15	12.2	91.7	24.291	230/460	9
		1800	213/5JP	<a href="#">01018ET3H215JP-S</a>	\$1,823	P1S	160	1.15	9.80	91.7	24.291	575	9
		1800	213/5JP	<a href="#">01018ET3V215JP-S</a>	\$1,823	P1S	160	1.15	14.0	91.7	24.291	200/400	9,51
		1800	213/5JP	<a href="#">01018ET3E215JP-W22</a>	\$1,823	P1	203	1.25	12.4	91.7	24.264	230/460	
		1800	213/5JP	<a href="#">01018ET3H215JP-W22</a>	\$1,823	P1	202	1.25	9.92	91.7	24.264	575	
		1200	254/6JP	<a href="#">01012ET3E256JP-S</a>	\$3,103	P1S	287	1.15	13.8	91.0	27.717	230/460	9
1200	254/6JP	<a href="#">01012ET3E256JP-W22</a>	\$3,103	P1	326	1.25	12.9	91.0	29.106	230/460			
15	11	3600	213/5JP	<a href="#">01536ET3E215JP-S</a>	\$2,099	P1S	179	1.15	17.0	91.0	26.654	230/460	9;12
		3600	213/5JP	<a href="#">01536ET3H215JP-S</a>	\$2,099	P1S	179	1.15	13.6	91.0	26.654	575	9;12
		3600	213/5JP	<a href="#">01536ET3E215JP-W22</a>	\$2,099	P1	194	1.25	17.0	91.0	24.264	230/460	12
		3600	254/6JP	<a href="#">01536ET3E254JP-S</a>	\$2,629	P1S	217	1.15	17.4	91.0	26.929	230/460	9
		3600	254/6JP	<a href="#">01536ET3V254JP-S</a>	\$2,629	P1S	217	1.15	20.0	91.0	26.929	200/400	9
		3600	254/6JP	<a href="#">01536ET3E254JP-W22</a>	\$2,629	P1	305	1.25	17.2	91.0	29.106	230/460	
		3600	254/6JP	<a href="#">01536ET3H254JP-W22</a>	\$2,629	P1	302	1.25	13.8	91.0	29.106	575	
		1800	254/6JP	<a href="#">01518ET3E254JP-S</a>	\$2,653	P1S	251	1.15	18.2	92.4	26.929	230/460	9
		1800	254/6JP	<a href="#">01518ET3H254JP-S</a>	\$2,653	P1S	251	1.15	14.6	92.4	26.929	575	9,51
		1800	254/6JP	<a href="#">01518ET3V254JP-S</a>	\$2,653	P1S	251	1.15	20.9	92.4	26.929	200/400	9
		1800	254/6JP	<a href="#">01518ET3E254JP-W22</a>	\$2,653	P1	353	1.25	18.0	92.4	29.106	230/460	
		1800	254/6JP	<a href="#">01518ET3H254JP-W22</a>	\$2,653	P1	353	1.25	14.4	92.4	29.106	575	
1200	284/6JP	<a href="#">01512ET3E284JP-W22</a>	\$3,972	P1	436	1.25	17.9	91.7	31.575	230/460			

continued on next page

Please refer to back cover for description of "NOTES"

For detailed specifications, data sheets, drawings and performance curves visit <http://www.weg.net>

Data subject to change without notice.

## CLOSE-COUPLED PUMP TEFC MOTORS

### JP - TEFC - Three-Phase - continued

HP	kW	RPM	Frame	Catalog Number	List Price	Mult. Symbol	Approx. Shipping Weight (lbs)	Service Factor	FL Amps @ High	FL. Eff (%)	"C" Dimension (in)	Voltage (V)	Notes
20	15	3600	254/6JP	<a href="#">02036ET3E256JP-S</a>	\$3,018	P1S	258	1.15	22.7	91.0	27.717	230/460	9
		3600	254/6JP	<a href="#">02036ET3H256JP-S</a>	\$3,018	P1S	258	1.15	18.2	91.0	27.717	575	9
		3600	254/6JP	<a href="#">02036ET3E256JP-W22</a>	\$3,018	P1	330	1.25	23.2	91.0	29.106	230/460	
		3600	254/6JP	<a href="#">02036ET3H256JP-W22</a>	\$3,018	P1	327	1.25	18.6	91.0	29.106	575	
		1800	254/6JP	<a href="#">02018ET3E256JP-S</a>	\$2,908	P1S	281	1.15	24.7	92.4	27.717	230/460	9
		1800	254/6JP	<a href="#">02018ET3H256JP-S</a>	\$2,908	P1S	281	1.15	19.8	93.0	27.717	575	9
		1800	254/6JP	<a href="#">02018ET3V256JP-S</a>	\$2,908	P1S	281	1.15	28.4	93.0	27.717	200/400	9
		1800	254/6JP	<a href="#">02018ET3E256JP-W22</a>	\$2,908	P1	404	1.25	24.1	93.0	29.106	230/460	
		1800	254/6JP	<a href="#">02018ET3H256JP-W22</a>	\$2,908	P1	401	1.25	19.3	93.0	29.106	575	51
		1200	284/6JP	<a href="#">02012ET3E286JP-W22</a>	\$5,015	P1	463	1.25	24.2	91.7	31.575	230/460	
25	18.5	3600	254/6JP	<a href="#">02536ET3E256JP-S</a>	\$3,296	P1S	269	1.15	28.5	91.7	27.717	230/460	9
		3600	254/6JP	<a href="#">02536ET3H256JP-S</a>	\$3,296	P1S	269	1.15	22.8	91.7	27.717	575	9,51
		3600	254/6JP	<a href="#">02536ET3E256JP-W22</a>	\$3,296	P1	378	1.00	28.1	91.7	29.106	230/460	
		3600	254/6JP	<a href="#">02536ET3H256JP-W22</a>	\$3,296	P1	399	1.00	22.5	91.7	29.106	575	
		3600	284/6JP	<a href="#">02536ET3E284JP-W22</a>	\$3,679	P1	422	1.25	28.5	91.7	31.575	230/460	
		3600	284/6JP	<a href="#">02536ET3H284JP-W22</a>	\$3,679	P1	421	1.25	22.8	91.7	31.575	575	51
		1800	284/6JP	<a href="#">02518ET3E284JP-W22</a>	\$3,797	P1	454	1.25	29.5	93.6	31.575	230/460	
		1800	284/6JP	<a href="#">02518ET3H284JP-W22</a>	\$3,797	P1	453	1.25	23.6	93.6	31.575	575	
		1200	324/6JP	<a href="#">02512ET3E324JP-W22</a>	\$5,972	P1	535	1.25	30.4	93.0	34.021	230/460	
30	22	3600	284/6JP	<a href="#">03036ET3E286JP-W22</a>	\$4,614	P1	441	1.25	33.8	91.7	31.575	230/460	
		3600	284/6JP	<a href="#">03036ET3H286JP-W22</a>	\$4,614	P1	463	1.25	27.0	91.7	31.575	575	
		1800	284/6JP	<a href="#">03018ET3E286JP-W22</a>	\$4,167	P1	492	1.25	35.1	93.6	31.575	230/460	
		1800	284/6JP	<a href="#">03018ET3H286JP-W22</a>	\$4,167	P1	490	1.25	28.1	93.6	31.575	575	
		1200	324/6JP	<a href="#">03012ET3E326JP-W22</a>	\$6,690	P1	639	1.25	36.2	93.0	34.021	230/460	
40	30	3600	284/6JP	<a href="#">04036ET3E286JP-W22</a>	\$5,475	P1	471	1.00	45.8	92.4	31.575	230/460	37
		3600	284/6JP	<a href="#">04036ET3H286JP-W22</a>	\$5,475	P1	617	1.00	36.6	92.4	31.575	575	37
		3600	324/6JP	<a href="#">04036ET3E324JP-W22</a>	\$5,628	P1	602	1.25	45.8	92.4	34.021	230/460	
		3600	324/6JP	<a href="#">04036ET3H324JP-W22</a>	\$5,628	P1	579	1.25	36.6	92.4	34.021	575	
		1800	324/6JP	<a href="#">04018ET3E324JP-W22</a>	\$5,413	P1	625	1.25	47.1	94.1	34.021	230/460	
		1800	324/6JP	<a href="#">04018ET3H324JP-W22</a>	\$5,413	P1	608	1.25	37.7	94.1	34.021	575	
		1200	364/5JP	<a href="#">04012ET3E364JP-W22</a>	\$9,268	P1	1003	1.25	46.5	94.1	35.916	230/460	
50	37	3600	324/6JP	<a href="#">05036ET3E326JP-W22</a>	\$6,733	P1	624	1.25	56.1	93.0	34.021	230/460	
		3600	324/6JP	<a href="#">05036ET3H326JP-W22</a>	\$6,733	P1	622	1.25	44.9	93.0	34.021	575	
		1800	324/6JP	<a href="#">05018ET3E326JP-W22</a>	\$6,624	P1	648	1.25	59.2	94.5	34.021	230/460	
		1800	324/6JP	<a href="#">05018ET3H326JP-W22</a>	\$6,624	P1	645	1.25	47.4	94.5	34.021	575	51
		1200	364/5JP	<a href="#">05012ET3E365JP-W22</a>	\$10,748	P1	983	1.25	57.4	94.1	35.916	230/460	51
60	45	3600	324/6JP	<a href="#">06036ET3E326JP-W22</a>	\$7,853	P1	627	1.00	70.2	93.6	34.021	230/460	37
		3600	364/5JP	<a href="#">06036ET3E364JP-W22</a>	\$10,252	P1	994	1.25	67.0	93.6	36.711	230/460	
		3600	364/5JP	<a href="#">06036ET3H364JP-W22</a>	\$10,252	P1	946	1.25	53.6	93.6	36.711	575	
		1800	364/5JP	<a href="#">06018ET3E364JP-W22</a>	\$9,619	P1	1056	1.25	68.3	95.0	35.916	230/460	
		1800	364/5JP	<a href="#">06018ET3H364JP-W22</a>	\$9,619	P1	1042	1.25	54.6	95.0	35.916	575	
		1200	404/5JP	<a href="#">06012ET3E404JP-W22</a>	\$12,444	P1	1156	1.25	69.5	94.5	38.911	230/460	

continued on next page

Please refer to back cover for description of "NOTES"

For detailed specifications, data sheets, drawings and performance curves visit <http://www.weg.net>

### JP - TEFC - Three-Phase - *continued*

HP	kW	RPM	Frame	Catalog Number	List Price	Mult. Symbol	Approx. Shipping Weight (lbs)	Service Factor	FL Amps @ High	FL. Eff (%)	"C" Dimension (in)	Voltage (V)	Notes
75	55	3600	364/5JP	<a href="#">07536ET3E365JP-W22</a>	<b>\$11,321</b>	P1	997	1.25	81.9	93.6	36.711	230/460	
		3600	364/5JP	<a href="#">07536ET3G365JP-W22</a>	<b>\$11,321</b>	P1	1153	1.25	81.9	93.6	36.711	460	
		3600	364/5JP	<a href="#">07536ET3H365JP-W22</a>	<b>\$11,321</b>	P1	997	1.25	65.5	93.6	36.711	575	
		1800	364/5JP	<a href="#">07518ET3E365JP-W22</a>	<b>\$10,235</b>	P1	1075	1.25	84.1	95.4	35.916	230/460	
		1800	364/5JP	<a href="#">07518ET3H365JP-W22</a>	<b>\$10,235</b>	P1	1044	1.25	67.3	95.4	35.916	575	
		1200	404/5JP	<a href="#">07512ET3E405JP-W22</a>	<b>\$14,005</b>	P1	1209	1.25	84.9	94.5	38.911	230/460	
100	75	3600	404/5JP	<a href="#">10036ET3E405JP-W22</a>	<b>\$13,949</b>	P1	1203	1.25	110	94.1	40.551	230/460	
		3600	404/5JP	<a href="#">10036ET3G405JP-W22</a>	<b>\$13,949</b>	P1	1222	1.25	110	94.1	40.551	460	
		1800	404/5JP	<a href="#">10018ET3E405JP-W22</a>	<b>\$12,411</b>	P1	1291	1.25	111	95.4	38.911	230/460	
		1800	404/5JP	<a href="#">10018ET3G405JP-W22</a>	<b>\$12,411</b>	P1	1294	1.25	111	95.4	38.911	460	

### JP - TEFC - Explosion Proof

HP	kW	RPM	Frame	Catalog Number	List Price	Mult. Symbol	Approx. Shipping Weight (lbs)	Service Factor	FL Amps @ High	FL. Eff (%)	"C" Dimension (in)	Voltage (V)	Notes
3	2.2	1800	182/4JP	<a href="#">00318XT3E182JP</a>	<b>\$1,586</b>	XT	119	1.15	3.91	89.5	20.431	230/460	
		1800	182/4JP	<a href="#">00318XT3H182JP</a>	<b>\$1,586</b>	XT	119	1.15	3.13	89.5	20.431	575	
5	3.7	1800	182/4JP	<a href="#">00518XT3E184JP</a>	<b>\$1,609</b>	XT	136	1.15	6.57	89.5	20.306	230/460	39, 51
		1800	182/4JP	<a href="#">00518XT3H184JP</a>	<b>\$1,609</b>	XT	136	1.15	5.26	89.5	20.306	575	39, 51

Please refer to back cover for description of "NOTES"

For detailed specifications, data sheets, drawings and performance curves visit <http://www.weg.net>

Data subject to change without notice.

Can't find what you are looking for? Call **1-800-ASK-4WEG** (275-4934)

# Pump Motors



## CLOSE-COUPLED PUMP ODP MOTORS



### JM - ODP - Single Phase

HP	kW	RPM	Frame	Catalog Number	List Price	Mult. Symbol	Approx. Shipping Weight (lbs)	Service Factor	FL Amps @ High	FL. Eff (%)	"C" Dimension (in)	Voltage (V)	Notes
3	2.2	3600	182/4JM	<b>003360S1B182JM</b>	<b>\$977</b>	P1CS	111	1.25	11.7	86.0	18.976	115/208-230	9
5	3.7	3600	182/4JM	<b>005360S1B184JM</b>	<b>\$1,383</b>	P1CS	123	1.25	19.0	88.0	18.976	115/208-230	9
7.5	5.5	3600	213/5JM	<b>007360S1C213JM</b>	<b>\$1,567</b>	P1CS	132	1.15	30.2	85.5	18.667	208-230	9
10	7.5	3600	213/5JM	<b>010360S1C215JM</b>	<b>\$2,067</b>	P1CS	132	1.15	42.0	84.0	20.499	208-230	9



### JP - ODP - Single Phase

HP	kW	RPM	Frame	Catalog Number	List Price	Mult. Symbol	Approx. Shipping Weight (lbs)	Service Factor	FL Amps @ High	FL. Eff (%)	"C" Dimension (in)	Voltage (V)	Notes
3	2.2	3600	182/4JP	<b>003360S1B182JP</b>	<b>\$977</b>	P1CS	117	1.25	11.7	86.0	21.942	115/208-230	9
5	3.7	3600	182/4JP	<b>005360S1B184JP</b>	<b>\$1,383</b>	P1CS	127	1.25	19.0	88.0	21.942	115/208-230	9
7.5	5.5	3600	213/5JP	<b>007360S1C213JP</b>	<b>\$1,567</b>	P1CS	142	1.15	30.2	85.5	22.558	208-230	9
10	7.5	3600	213/5JP	<b>010360S1C215JP</b>	<b>\$2,067</b>	P1CS	138	1.15	42.0	84.0	24.390	208-230	9



JM - ODP - Three Phase

HP	kW	RPM	Frame	Catalog Number	List Price	Mult. Symbol	Approx. Shipping Weight (lbs)	Service Factor	FL Amps @ High	FL. Eff (%)	"C" Dimension (in)	Voltage (V)	Notes
1	0.75	1800	143/5JM	<a href="#">001180T3E143JM-S</a>	\$486	P1S	40	1.15	1.50	85.5	13.701	230/460	9
		1800	143/5JM	<a href="#">001180T3H143JM-S</a>	\$486	P1S	40	1.15	1.20	85.5	13.701	575	9
		1800	143/5JM	<a href="#">001180T3V143JM-S</a>	\$486	P1S	40	1.15	1.70	85.5	13.701	200/400	9
		1200	143/5JM	<a href="#">001120T3E145JM-S</a>	\$550	P1S	40	1.15	1.70	82.5	13.701	230/460	9
1.5	1.1	3600	143/5JM	<a href="#">001560T3E143JM-S</a>	\$534	P1S	35	1.15	1.90	84.0	13.701	230/460	9
		3600	143/5JM	<a href="#">001560T3V143JM-S</a>	\$534	P1S	35	1.15	2.10	84.0	13.701	200/400	9
		1800	143/5JM	<a href="#">001580T3E145JM-S</a>	\$553	P1S	47	1.15	2.10	86.5	14.882	230/460	9
		1800	143/5JM	<a href="#">001580T3H145JM-S</a>	\$553	P1S	47	1.15	1.70	86.5	14.882	575	9
		1800	143/5JM	<a href="#">001580T3V145JM-S</a>	\$553	P1S	47	1.15	2.40	86.5	14.882	200/400	9
		1200	182/4JM	<a href="#">001520T3E182JM-S</a>	\$769	P1S	71	1.15	2.30	86.5	15.472	230/460	9
2	1.5	3600	143/5JM	<a href="#">002360T3E145JM-S</a>	\$580	P1S	42	1.15	2.40	85.5	14.094	230/460	9
		3600	143/5JM	<a href="#">002360T3H145JM-S</a>	\$580	P1S	42	1.15	1.90	85.5	14.094	575	9
		3600	143/5JM	<a href="#">002360T3V145JM-S</a>	\$580	P1S	42	1.15	2.80	85.5	14.094	200/400	9
		1800	143/5JM	<a href="#">002180T3E145JM-S</a>	\$607	P1S	44	1.15	2.70	86.5	14.882	230/460	9
		1800	143/5JM	<a href="#">002180T3H145JM-S</a>	\$607	P1S	44	1.15	2.20	86.5	14.882	575	9
		1800	143/5JM	<a href="#">002180T3V145JM-S</a>	\$607	P1S	44	1.15	3.10	86.5	14.882	200/400	9
		1200	182/4JM	<a href="#">002120T3E184JM-S</a>	\$816	P1S	83	1.15	3.00	87.5	16.260	230/460	9
3	2.2	3600	143/5JM	<a href="#">003360T3E145JM-S</a>	\$660	P1S	45	1.15	3.60	85.5	14.488	230/460	9
		3600	143/5JM	<a href="#">003360T3H145JM-S</a>	\$660	P1S	45	1.15	2.90	85.5	14.488	575	9
		3600	143/5JM	<a href="#">003360T3V145JM-S</a>	\$660	P1S	45	1.15	4.10	85.5	14.488	200/400	9
		1800	182/4JM	<a href="#">003180T3E182JM-S</a>	\$665	P1S	84	1.15	3.90	89.5	16.654	230/460	9
		1800	182/4JM	<a href="#">003180T3H182JM-S</a>	\$665	P1S	84	1.15	3.10	89.5	16.654	575	9
		1800	182/4JM	<a href="#">003180T3V182JM-S</a>	\$665	P1S	84	1.15	4.40	89.5	16.654	200/400	9
		1200	213/5JM	<a href="#">003120T3E213JM-S</a>	\$1,105	P1S	123	1.15	4.20	88.5	17.717	230/460	9
5	3.7	3600	182/4JM	<a href="#">005360T3E182JM-S</a>	\$780	P1S	70	1.15	6.10	86.5	16.260	230/460	9
		3600	182/4JM	<a href="#">005360T3H182JM-S</a>	\$780	P1S	70	1.15	4.90	86.5	16.260	575	9
		3600	182/4JM	<a href="#">005360T3V182JM-S</a>	\$780	P1S	70	1.15	7.00	86.5	16.260	200/400	9
		1800	182/4JM	<a href="#">005180T3E184JM-S</a>	\$849	P1S	96	1.15	6.30	89.5	17.835	230/460	9
		1800	182/4JM	<a href="#">005180T3H184JM-S</a>	\$849	P1S	96	1.15	5.10	89.5	17.835	575	9
		1800	182/4JM	<a href="#">005180T3V184JM-S</a>	\$849	P1S	96	1.15	7.30	89.5	17.835	200/400	9
		1200	213/5JM	<a href="#">005120T3E215JM-S</a>	\$1,319	P1S	144	1.15	6.70	89.5	18.110	230/460	9
7.5	5.5	3600	182/4JM	<a href="#">007360T3E184JM-S</a>	\$1,086	P1S	87	1.15	8.70	88.5	16.654	230/460	9
		3600	182/4JM	<a href="#">007360T3H184JM-S</a>	\$1,086	P1S	87	1.15	6.90	88.5	16.654	575	9
		3600	182/4JM	<a href="#">007360T3V184JM-S</a>	\$1,086	P1S	87	1.15	10.0	88.5	16.654	200/400	9
		1800	213/5JM	<a href="#">007180T3E213JM-S</a>	\$1,119	P1S	135	1.15	9.30	91.0	17.717	230/460	9
		1800	213/5JM	<a href="#">007180T3H213JM-S</a>	\$1,120	P1S	135	1.15	7.40	91.0	17.717	575	9;51
		1800	213/5JM	<a href="#">007180T3V213JM-S</a>	\$1,119	P1S	135	1.15	10.6	91.0	17.717	200/400	9
		1200	254/6JM	<a href="#">007120T3E254JM-S</a>	\$1,985	P1S	224	1.15	10.2	90.2	21.969	230/460	9
		1200	254JM	<a href="#">007120T3E254JM-W40</a>	\$1,985	P1C	243	1.25	9.94	90.2	22.517	230/460	

continued on next page

Please refer to back cover for description of "NOTES"

For detailed specifications, data sheets, drawings and performance curves visit <http://www.weg.net>

Data subject to change without notice.

## CLOSE-COUPLED PUMP ODP MOTORS

### JM - ODP - Three Phase - *continued*

HP	kW	RPM	Frame	Catalog Number	List Price	Mult. Symbol	Approx. Shipping Weight (lbs)	Service Factor	FL Amps @ High	FL Eff (%)	"C" Dimension (in)	Voltage (V)	Notes
10	7.5	3600	213/5JM	<b>010360T3E213JM-S</b>	<b>\$1,289</b>	P1S	132	1.15	12.0	89.5	18.110	230/460	9
		3600	213/5JM	<b>010360T3H213JM-S</b>	<b>\$1,289</b>	P1S	132	1.15	9.60	89.5	18.110	575	9
		3600	213/5JM	<b>010360T3V213JM-S</b>	<b>\$1,289</b>	P1S	132	1.15	13.8	89.5	18.110	200/400	9
		1800	213/5JM	<b>010180T3E215JM-S</b>	<b>\$1,364</b>	P1S	140	1.15	12.4	91.7	17.717	230/460	9
		1800	213/5JM	<b>010180T3H215JM-S</b>	<b>\$1,366</b>	P1S	140	1.15	9.90	91.7	17.717	575	9
		1200	254/6JM	<b>010120T3E256JM-S</b>	<b>\$2,298</b>	P1S	252	1.15	13.9	91.7	21.969	230/460	9
		1200	254/6JM	<b>010120T3E256JM-W40</b>	<b>\$2,298</b>	P1C	271	1.25	12.8	91.7	24.264	230/460	
15	11	3600	213/5JM	<b>015360T3E215JM-S</b>	<b>\$1,707</b>	P1S	151	1.15	17.2	90.2	18.898	230/460	9
		3600	213/5JM	<b>015360T3H215JM-S</b>	<b>\$1,707</b>	P1S	151	1.15	13.8	90.2	18.898	575	9
		3600	213/5JM	<b>015360T3V215JM-S</b>	<b>\$1,707</b>	P1S	151	1.15	19.8	90.2	18.898	200/400	9
		1800	254/6JM	<b>015180T3E254JM-S</b>	<b>\$1,995</b>	P1S	225	1.15	18.6	93.0	21.969	230/460	9
		1800	254/6JM	<b>015180T3H254JM-S</b>	<b>\$1,995</b>	P1S	225	1.15	14.9	93.0	21.969	575	9
		1800	254/6JM	<b>015180T3V254JM-S</b>	<b>\$1,995</b>	P1S	225	1.15	21.4	93.0	21.969	200/400	9
		1800	254JM	<b>015180T3E254JM-W40</b>	<b>\$1,995</b>	P1C	291	1.25	17.5	93.0	22.517	230/460	
		1800	254JM	<b>015180T3H254JM-W40</b>	<b>\$1,995</b>	P1C	290	1.25	14.0	93.0	22.517	575	
		1800	254JM	<b>015180T3V254JM-W40</b>	<b>\$1,995</b>	P1C	273	1.25	20.1	93.0	22.517	200/400	
20	15	1200	284JM	<b>015120T3E284JM-W40</b>	<b>\$3,164</b>	P1C	355	1.25	18.4	91.7	24.033	230/460	
		3600	254/6JM	<b>020360T3E254JM-S</b>	<b>\$2,107</b>	P1S	206	1.15	23.8	91.0	21.969	230/460	9
		3600	254/6JM	<b>020360T3H254JM-S</b>	<b>\$2,107</b>	P1S	206	1.15	19.0	91.0	21.969	575	9
		3600	254/6JM	<b>020360T3V254JM-S</b>	<b>\$2,107</b>	P1S	206	1.15	27.4	91.0	21.969	200/400	9
		3600	254JM	<b>020360T3E254JM-W40</b>	<b>\$2,107</b>	P1C	237	1.25	24.3	91.0	22.517	230/460	
		3600	254JM	<b>020360T3H254JM-W40</b>	<b>\$2,107</b>	P1C	236	1.25	19.4	91.0	22.517	575	
		3600	254JM	<b>020360T3V254JM-W40</b>	<b>\$2,107</b>	P1C	236	1.25	28.0	91.0	22.517	200/400	
		1800	254/6JM	<b>020180T3E256JM-S</b>	<b>\$2,413</b>	P1S	250	1.15	25.0	93.0	21.969	230/460	9
		1800	254/6JM	<b>020180T3H256JM-S</b>	<b>\$2,413</b>	P1S	250	1.15	20.0	93.0	21.969	575	9
		1800	254/6JM	<b>020180T3E256JM-W40</b>	<b>\$2,413</b>	P1C	326	1.25	24.1	93.0	24.264	230/460	
		1800	254/6JM	<b>020180T3H256JM-W40</b>	<b>\$2,413</b>	P1C	326	1.25	19.3	93.0	24.264	575	
25	18.5	1200	284/6JM	<b>020120T3E286JM-W40</b>	<b>\$3,872</b>	P1C	430	1.25	24.3	92.4	25.533	230/460	
		3600	254/6JM	<b>025360T3E256JM-S</b>	<b>\$2,598</b>	P1S	217	1.15	29.1	91.7	21.969	230/460	9
		3600	254/6JM	<b>025360T3H256JM-S</b>	<b>\$2,598</b>	P1S	217	1.15	23.3	91.7	21.969	575	9
		3600	254/6JM	<b>025360T3E256JM-W40</b>	<b>\$2,598</b>	P1C	266	1.25	28.8	91.7	24.264	230/460	
		3600	254/6JM	<b>025360T3H256JM-W40</b>	<b>\$2,598</b>	P1C	263	1.25	23.0	91.7	24.264	575	
		1800	284JM	<b>025180T3E284JM-W40</b>	<b>\$2,912</b>	P1C	397	1.25	29.5	93.6	24.033	230/460	
		1800	284JM	<b>025180T3H284JM-W40</b>	<b>\$2,912</b>	P1C	400	1.25	23.6	93.6	24.033	575	
30	22	1200	324JM	<b>025120T3E324JM-W40</b>	<b>\$4,306</b>	P1C	514	1.25	30.8	93.0	26.057	230/460	
		3600	284JM	<b>030360T3E284JM-W40</b>	<b>\$3,185</b>	P1C	350	1.25	35.0	91.7	24.033	230/460	
		3600	284JM	<b>030360T3H284JM-W40</b>	<b>\$3,185</b>	P1C	373	1.25	28.0	91.7	24.033	575	
		3600	284JM	<b>030360T3V284JM-W40</b>	<b>\$3,185</b>	P1C	373	1.25	40.3	91.7	24.033	200/400	
		1800	284/6JM	<b>030180T3E286JM-W40</b>	<b>\$3,368</b>	P1C	443	1.25	34.9	94.1	25.533	230/460	
		1800	284/6JM	<b>030180T3H286JM-W40</b>	<b>\$3,368</b>	P1C	452	1.25	27.9	94.1	25.533	575	
1200	324/6JM	<b>030120T3E326JM-W40</b>	<b>\$4,741</b>	P1C	561	1.25	36.0	93.6	27.557	230/460			

*continued on next page*

### JM - ODP - Three Phase - continued

HP	kW	RPM	Frame	Catalog Number	List Price	Mult. Symbol	Approx. Shipping Weight (lbs)	Service Factor	FL Amps @ High	FL. Eff (%)	"C" Dimension (in)	Voltage (V)	Notes
40	30	3600	284/6JM	<a href="#">040360T3E286JM-W40</a>	\$3,811	P1C	394	1.25	46.8	92.4	25.533	230/460	
		3600	284/6JM	<a href="#">040360T3H286JM-W40</a>	\$3,811	P1C	411	1.25	37.4	92.4	25.533	575	
		1800	324JM	<a href="#">040180T3E324JM-W40</a>	\$3,797	P1C	494	1.25	47.6	94.1	26.057	230/460	
		1800	324JM	<a href="#">040180T3H324JM-W40</a>	\$3,797	P1C	520	1.25	38.1	94.1	26.057	575	
		1200	364/5JM	<a href="#">040120T3E364JM-W40</a>	\$6,696	P1C	849	1.25	47.1	94.1	29.270	230/460	
50	37	3600	324JM	<a href="#">050360T3E324JM-W40</a>	\$4,607	P1C	474	1.25	58.7	93.0	26.057	230/460	
		3600	324JM	<a href="#">050360T3G324JM-W40</a>	\$4,607	P1C	522	1.25	58.7	93.0	26.057	460	
		3600	324JM	<a href="#">050360T3H324JM-W40</a>	\$4,607	P1C	523	1.25	47.0	93.0	26.057	575	
		1800	324/6JM	<a href="#">050180T3E326JM-W40</a>	\$4,877	P1C	557	1.25	58.5	94.5	27.557	230/460	
		1800	324/6JM	<a href="#">050180T3H326JM-W40</a>	\$4,877	P1C	596	1.25	46.8	94.5	27.557	575	
		1200	364/5JM	<a href="#">050120T3E365JM-W40</a>	\$7,666	P1C	884	1.25	58.1	94.1	29.270	230/460	
60	45	3600	324/6JM	<a href="#">060360T3E326JM-W40</a>	\$5,432	P1C	519	1.25	71.0	93.6	27.557	230/460	
		3600	324/6JM	<a href="#">060360T3G326JM-W40</a>	\$5,432	P1C	517	1.25	71.0	93.6	27.557	460	
		3600	324/6JM	<a href="#">060360T3H326JM-W40</a>	\$5,432	P1C	564	1.25	56.8	93.6	27.557	575	
		1800	364/5JM	<a href="#">060180T3E364JM-W40</a>	\$5,994	P1C	876	1.25	69.9	95.0	29.270	230/460	51
		1800	364/5JM	<a href="#">060180T3G364JM-W40</a>	\$5,994	P1C	847	1.25	69.9	95.0	29.270	460	
		1800	364/5JM	<a href="#">060180T3H364JM-W40</a>	\$5,994	P1C	847	1.25	55.9	95.0	29.270	575	
75	55	3600	364/5JM	<a href="#">075360T3E364JM-W40</a>	\$6,951	P1C	815	1.25	84.8	93.6	29.270	230/460	
		3600	364/5JM	<a href="#">075360T3G364JM-W40</a>	\$6,951	P1C	794	1.25	84.8	93.6	29.270	460	
		3600	364/5JM	<a href="#">075360T3H364JM-W40</a>	\$6,951	P1C	794	1.25	67.8	93.6	29.270	575	
		1800	364/5JM	<a href="#">075180T3E365JM-W40</a>	\$6,932	P1C	875	1.25	85.5	95.0	29.270	230/460	
		1800	364/5JM	<a href="#">075180T3G365JM-W40</a>	\$6,932	P1C	875	1.25	85.5	95.0	29.270	460	
		1800	364/5JM	<a href="#">075180T3H365JM-W40</a>	\$6,932	P1C	875	1.25	68.4	95.0	29.270	575	
100	75	3600	364/5JM	<a href="#">100360T3E365JM-W40</a>	\$8,683	P1C	835	1.25	116	93.6	29.270	230/460	
		3600	364/5JM	<a href="#">100360T3G365JM-W40</a>	\$8,683	P1C	865	1.25	116	93.6	29.270	460	

Please refer to back cover for description of "NOTES"

For detailed specifications, data sheets, drawings and performance curves visit <http://www.weg.net>

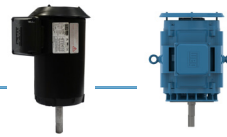
Data subject to change without notice.

Can't find what you are looking for? Call 1-800-ASK-4WEG (275-4934)

# Pump Motors

## CLOSE-COUPLED PUMP ODP MOTORS

### JM - ODP - Three Phase - Footless Vertical



HP	kW	RPM	Frame	Catalog Number	List Price	Mult. Symbol	Approx. Shipping Weight (lbs)	Service Factor	FL Amps @ High	FL. Eff (%)	"C" Dimension (in)	Voltage (V)	Notes
1	0.75	1800	143/5JM	<a href="#">001180T3E143JMV-S</a>	\$541	P1S	40	1.15	1.50	85.5	15.001	230/460	9;15
		1200	143/5JM	<a href="#">001120T3E145JMV-S</a>	\$605	P1S	40	1.15	1.70	82.5	15.001	230/460	9;15
1.5	1.1	3600	143/5JM	<a href="#">001560T3E143JMV-S</a>	\$589	P1S	35	1.15	1.90	84.0	15.001	230/460	9;15
		1800	143/5JM	<a href="#">001580T3E145JMV-S</a>	\$608	P1S	47	1.15	2.10	86.5	16.182	230/460	9;15
2	1.5	1200	182/4JM	<a href="#">001520T3E182JMV-S</a>	\$827	P1S	71	1.15	2.30	86.5	16.812	230/460	9;15
		3600	143/5JM	<a href="#">002360T3E145JMV-S</a>	\$635	P1S	42	1.15	2.40	85.5	15.394	230/460	9;15
		1800	143/5JM	<a href="#">002180T3E145JMV-S</a>	\$662	P1S	44	1.15	2.70	86.5	16.182	230/460	9;15
3	2.2	1200	182/4JM	<a href="#">002120T3E184JMV-S</a>	\$874	P1S	83	1.15	3.00	87.5	17.600	230/460	9;15
		3600	143/5JM	<a href="#">003360T3E145JMV-S</a>	\$715	P1S	45	1.15	3.60	85.5	15.788	230/460	9;15
		1800	182/4JM	<a href="#">003180T3E182JMV-S</a>	\$723	P1S	84	1.15	3.90	89.5	17.994	230/460	9;15
5	3.7	1200	213/5JM	<a href="#">003120T3E213JMV-S</a>	\$1,187	P1S	123	1.15	4.20	88.5	18.977	230/460	9;15
		3600	182/4JM	<a href="#">005360T3E182JMV-S</a>	\$838	P1S	75	1.15	6.10	86.5	17.600	230/460	9;15
		1800	182/4JM	<a href="#">005180T3E184JMV-S</a>	\$907	P1S	96	1.15	6.30	89.5	19.175	230/460	9;15
7.5	5.5	1200	213/5JM	<a href="#">005120T3E215JMV-S</a>	\$1,401	P1S	144	1.15	6.70	89.5	19.370	230/460	9;15
		3600	182/4JM	<a href="#">007360T3E184JMV-S</a>	\$1,144	P1S	87	1.15	8.70	88.5	17.994	230/460	9;15
		3600	182/4JM	<a href="#">007360T3H184JMV-S</a>	\$1,144	P1S	87	1.15	6.90	88.5	17.994	575	9;15
10	7.5	3600	182/4JM	<a href="#">007360T3V184JMV-S</a>	\$1,144	P1S	87	1.15	10.0	88.5	17.994	200/400	9;15,51
		1800	213/5JM	<a href="#">007180T3E213JMV-S</a>	\$1,201	P1S	135	1.15	9.30	91.0	18.977	230/460	9;15
		3600	213/5JM	<a href="#">010360T3E213JMV-S</a>	\$1,371	P1S	132	1.15	12.0	89.5	19.370	230/460	9;15
		3600	213/5JM	<a href="#">010360T3H213JMV-S</a>	\$1,371	P1S	132	1.15	9.60	89.5	19.370	575	9;15
15	11	1800	213/5JM	<a href="#">010360T3V213JMV-S</a>	\$1,371	P1S	132	1.15	13.8	89.5	19.370	200/400	9;15,51
		3600	213/5JM	<a href="#">010180T3E215JMV-S</a>	\$1,446	P1S	140	1.15	12.4	91.7	18.977	230/460	9;15
		1800	213/5JM	<a href="#">010180T3H215JMV-S</a>	\$1,448	P1S	140	1.15	9.90	91.7	18.977	575	9;15
		3600	213/5JM	<a href="#">015360T3E215JMV-S</a>	\$1,789	P1S	151	1.15	17.2	90.2	20.158	230/460	9;15
20	15	3600	213/5JM	<a href="#">015360T3H215JMV-S</a>	\$1,789	P1S	151	1.15	13.8	90.2	20.158	575	9;15,51
		3600	213/5JM	<a href="#">015360T3V215JMV-S</a>	\$1,789	P1S	151	1.15	19.8	90.2	20.158	200/400	9;15
		1800	254/6JM	<a href="#">015180T3E254JMV-S</a>	\$2,147	P1S	175	1.15	18.6	93.0	23.898	230/460	9;15,51
		3600	254/6JM	<a href="#">020360T3E254JMV-S</a>	\$2,205	P1S	206	1.15	23.8	91.0	23.359	230/460	9;15
25	18.5	3600	254/6JM	<a href="#">020360T3H254JMV-S</a>	\$2,205	P1S	206	1.15	19.0	91.0	23.359	575	9;15
		3600	254/6JM	<a href="#">020360T3V254JMV-S</a>	\$2,205	P1S	206	1.15	27.4	91.0	23.359	200/400	9;15
		1800	254/6JM	<a href="#">020180T3E256JMV-S</a>	\$2,580	P1S	198	1.15	25.0	93.0	23.898	230/460	9;15,51
		3600	254/6JM	<a href="#">025360T3E256JMV-S</a>	\$2,696	P1S	217	1.15	29.1	91.7	23.359	230/460	9;15
30	22	3600	254/6JM	<a href="#">025360T3H256JMV-S</a>	\$2,696	P1S	217	1.15	23.3	91.7	23.359	575	9;15,51
		3600	254/6JM	<a href="#">025360T3V256JMV-S</a>	\$2,696	P1S	217	1.15	33.5	91.7	23.359	200/400	9;15
		1800	284/6JM	<a href="#">025180T3E284JMV-W40</a>	\$3,137	P1C	421	1.25	29.5	93.6	27.403	230/460	15,51
40	30	3600	284/6JM	<a href="#">030360T3H284JMV-W40</a>	\$3,422	P1C	370	1.25	28.0	91.7	27.403	575	15
		1800	284/6JM	<a href="#">030180T3H286JMV-W40</a>	\$3,610	P1C	458	1.25	27.9	94.1	27.403	575	15
		3600	284/6JM	<a href="#">040360T3E286JMV-W40</a>	\$4,066	P1C	409	1.25	46.8	92.4	27.403	230/460	15
		3600	286JM	<a href="#">040360T3H286JMV*</a>	\$4,066	P1C	422	1.15	37.7	92.4	28.077	575	15
50	37	3600	284/6JM	<a href="#">040360T3H286JMV-W40</a>	\$4,066	P1C	408	1.25	37.4	92.4	27.403	575	15
		1800	324/6JM	<a href="#">040180T3E324JMV-W40</a>	\$4,431	P1C	514	1.25	47.6	94.1	29.427	230/460	15
		3600	324/6JM	<a href="#">050360T3E324JMV-W40</a>	\$4,911	P1C	494	1.25	58.7	93.0	29.427	230/460	15
		3600	324/6JM	<a href="#">050360T3H324JMV-W40</a>	\$4,911	P1C	485	1.25	47.0	93.0	29.427	575	15
60	45	3600	324/6JM	<a href="#">050360T3V324JMV-W40</a>	\$4,911	P1C	499	1.25	67.5	93.0	29.427	200/400	15
		1800	324/6JM	<a href="#">050180T3H326JMV-W40</a>	\$5,189	P1C	555	1.25	46.8	94.5	29.427	575	15
75	55	3600	364/5JM	<a href="#">060360T3H326JMV-W40</a>	\$5,761	P1C	524	1.25	56.8	93.6	29.427	575	15
75	55	3600	364/5JM	<a href="#">075360T3H364JMV-W40</a>	\$7,351	P1C	814	1.25	67.8	93.6	31.865	575	15

\* To be discontinued and replaced by W40 model once inven-tory is depleted.

Please refer to back cover for description of "NOTES"

For detailed specifications, data sheets, drawings and performance curves visit <http://www.weg.net>





JP - ODP - Three Phase

HP	kW	RPM	Frame	Catalog Number	List Price	Mult. Symbol	Approx. Shipping Weight (lbs)	Service Factor	FL Amps @ High	FL. Eff (%)	"C" Dimension (in)	Voltage (V)	Notes
1	0.75	1800	143/5JP	<a href="#">001180T3E143JP-S</a>	\$486	P1S	40	1.15	1.50	85.5	16.772	230/460	9,51
		1200	143/5JP	<a href="#">001120T3E145JP-S</a>	\$550	P1S	48	1.15	1.70	82.5	16.772	230/460	9
1.5	1.1	3600	143/5JP	<a href="#">001560T3E143JP-S</a>	\$534	P1S	35	1.15	1.90	84.0	16.772	230/460	9
		3600	143/5JP	<a href="#">001560T3V143JP-S</a>	\$534	P1S	35	1.15	2.10	84.0	16.772	200/400	9
		1800	143/5JP	<a href="#">001580T3E145JP-S</a>	\$553	P1S	47	1.15	2.10	86.5	17.953	230/460	9,51
		1200	182/4JP	<a href="#">001520T3E182JP-S</a>	\$729	P1S	77	1.15	2.30	86.5	18.543	230/460	9
2	1.5	3600	143/5JP	<a href="#">002360T3E145JP-S</a>	\$580	P1S	42	1.15	2.40	85.5	17.165	230/460	9
		3600	143/5JP	<a href="#">002360T3V145JP-S</a>	\$580	P1S	42	1.15	2.80	85.5	17.165	200/400	9
		1800	143/5JP	<a href="#">002180T3E145JP-S</a>	\$607	P1S	45	1.15	2.70	86.5	17.953	230/460	9
		1200	182/4JP	<a href="#">002120T3E184JP-S</a>	\$863	P1S	86	1.15	3.00	87.5	19.331	230/460	9
3	2.2	3600	143/5JP	<a href="#">003360T3E145JP-S</a>	\$660	P1S	45	1.15	3.60	85.5	17.559	230/460	9
		3600	143/5JP	<a href="#">003360T3H145JP-S</a>	\$660	P1S	45	1.15	2.90	85.5	17.559	575	9
		3600	143/5JP	<a href="#">003360T3V145JP-S</a>	\$660	P1S	45	1.15	4.10	85.5	17.559	200/400	9
		1800	182/4JP	<a href="#">003180T3E182JP-S</a>	\$665	P1S	85	1.15	3.90	89.5	19.724	230/460	9
		1800	182/4JP	<a href="#">003180T3H182JP-S</a>	\$665	P1S	85	1.15	3.10	89.5	19.724	575	9
		1200	213/5JP	<a href="#">003120T3E213JP-S</a>	\$1,095	P1S	132	1.15	4.20	88.5	21.575	230/460	9
5	3.7	3600	182/4JP	<a href="#">005360T3E182JP-S</a>	\$792	P1S	74	1.15	6.10	86.5	19.331	230/460	9
		3600	182/4JP	<a href="#">005360T3H182JP-S</a>	\$792	P1S	74	1.15	4.90	86.5	19.331	575	9
		3600	182/4JP	<a href="#">005360T3V182JP-S</a>	\$792	P1S	74	1.15	7.00	86.5	19.331	200/400	9
		1800	182/4JP	<a href="#">005180T3E184JP-S</a>	\$848	P1S	99	1.15	6.30	89.5	20.906	230/460	9
		1800	182/4JP	<a href="#">005180T3H184JP-S</a>	\$848	P1S	99	1.15	5.10	89.5	20.906	575	9,51
		1200	213/5JP	<a href="#">005120T3E215JP-S</a>	\$1,321	P1S	132	1.15	6.70	89.5	21.969	230/460	9
7.5	5.5	3600	182/4JP	<a href="#">007360T3E184JP-S</a>	\$1,086	P1S	89	1.15	8.70	88.5	19.724	230/460	9
		3600	182/4JP	<a href="#">007360T3H184JP-S</a>	\$1,086	P1S	89	1.15	6.90	88.5	19.724	575	9
		3600	182/4JP	<a href="#">007360T3V184JP-S</a>	\$1,086	P1S	89	1.15	10.0	88.5	19.724	200/400	9
		1800	213/5JP	<a href="#">007180T3E213JP-S</a>	\$1,120	P1S	144	1.15	9.30	91.0	21.575	230/460	9
		1800	213/5JP	<a href="#">007180T3H213JP-S</a>	\$1,120	P1S	144	1.15	7.40	91.0	21.575	575	9
		1800	213/5JP	<a href="#">007180T3V213JP-S</a>	\$1,120	P1S	144	1.15	10.6	91.0	21.575	200/400	9
		1200	254/6JP	<a href="#">007120T3E254JP-S</a>	\$2,113	P1S	226	1.15	10.2	90.2	24.843	230/460	9,51
		1200	254JP	<a href="#">007120T3E254JP-W40</a>	\$2,113	P1C	245	1.25	9.94	90.2	25.398	230/460	
10	7.5	3600	213/5JP	<a href="#">010360T3E213JP-S</a>	\$1,289	P1S	144	1.15	12.0	89.5	21.969	230/460	9
		3600	213/5JP	<a href="#">010360T3H213JP-S</a>	\$1,289	P1S	144	1.15	9.60	89.5	21.969	575	9
		3600	213/5JP	<a href="#">010360T3V213JP-S</a>	\$1,289	P1S	144	1.15	13.8	89.5	21.969	200/400	9
		1800	213/5JP	<a href="#">010180T3E215JP-S</a>	\$1,366	P1S	149	1.15	12.4	91.7	21.575	230/460	9
		1800	213/5JP	<a href="#">010180T3H215JP-S</a>	\$1,366	P1S	149	1.15	9.90	91.7	21.575	575	9
		1800	213/5JP	<a href="#">010180T3V215JP-S</a>	\$1,366	P1S	149	1.15	14.3	91.7	21.575	200/400	9
		1200	254/6JP	<a href="#">010120T3E256JP-S</a>	\$2,298	P1S	254	1.15	13.9	91.7	24.843	230/460	9
		1200	254/6JP	<a href="#">010120T3E256JP-W40</a>	\$2,298	P1C	271	1.25	12.8	91.7	27.146	230/460	

continued on next page

Please refer to back cover for description of "NOTES"

For detailed specifications, data sheets, drawings and performance curves visit <http://www.weg.net>

Data subject to change without notice.

## CLOSE-COUPLED PUMP ODP MOTORS

### JP - ODP - Three Phase - continued

HP	kW	RPM	Frame	Catalog Number	List Price	Mult. Symbol	Approx. Shipping Weight (lbs)	Service Factor	FL Amps @ High	FL. Eff (%)	"C" Dimension (in)	Voltage (V)	Notes
15	11	3600	213/5JP	<a href="#">015360T3E215JP-S</a>	<b>\$1,707</b>	P1S	160	1.15	17.2	90.2	22.756	230/460	9
		3600	213/5JP	<a href="#">015360T3H215JP-S</a>	<b>\$1,707</b>	P1S	160	1.15	13.8	90.2	22.756	575	9
		3600	213/5JP	<a href="#">015360T3V215JP-S</a>	<b>\$1,707</b>	P1S	160	1.15	19.8	90.2	22.756	200/400	9
		1800	254/6JP	<a href="#">015180T3E254JP-S</a>	<b>\$1,995</b>	P1S	228	1.15	18.6	93.0	24.843	230/460	9
		1800	254/6JP	<a href="#">015180T3H254JP-S</a>	<b>\$1,995</b>	P1S	228	1.15	14.9	93.0	24.843	575	9,51
		1800	254JP	<a href="#">015180T3E254JP-W40</a>	<b>\$1,995</b>	P1C	293	1.25	17.5	93.0	25.398	230/460	
		1800	254JP	<a href="#">015180T3H254JP-W40</a>	<b>\$1,995</b>	P1C	269	1.25	14.0	93.0	25.398	575	
		1200	284JP	<a href="#">015120T3E284JP-W40</a>	<b>\$3,163</b>	P1C	359	1.25	18.4	91.7	26.913	230/460	
20	15	3600	254/6JP	<a href="#">020360T3E254JP-S</a>	<b>\$2,106</b>	P1S	204	1.15	23.8	91.0	24.843	230/460	9
		3600	254/6JP	<a href="#">020360T3H254JP-S</a>	<b>\$2,106</b>	P1S	204	1.15	19.0	91.0	24.843	575	9,51
		3600	254/6JP	<a href="#">020360T3V254JP-S</a>	<b>\$2,106</b>	P1S	204	1.15	27.4	91.0	24.843	200/400	9,51
		3600	254JP	<a href="#">020360T3E254JP-W40</a>	<b>\$2,106</b>	P1C	239	1.25	24.3	91.0	25.398	230/460	
		3600	254JP	<a href="#">020360T3H254JP-W40</a>	<b>\$2,106</b>	P1C	238	1.25	19.4	91.0	25.398	575	51
		3600	254JP	<a href="#">020360T3V254JP-W40</a>	<b>\$2,106</b>	P1C	278	1.25	28.0	91.0	25.398	200/400	
		1800	254/6JP	<a href="#">020180T3E256JP-S</a>	<b>\$2,413</b>	P1S	252	1.15	25.0	93.0	24.843	230/460	9
		1800	254/6JP	<a href="#">020180T3H256JP-S</a>	<b>\$2,413</b>	P1S	252	1.15	20.0	93.0	24.843	575	9
		1800	254/6JP	<a href="#">020180T3E256JP-W40</a>	<b>\$2,413</b>	P1C	329	1.25	24.1	93.0	27.146	230/460	
		1800	254/6JP	<a href="#">020180T3H256JP-W40</a>	<b>\$2,413</b>	P1C	328	1.25	19.3	93.0	27.146	575	
1200	284/6JP	<a href="#">020120T3E286JP-W40</a>	<b>\$3,871</b>	P1C	434	1.25	24.3	92.4	28.413	230/460	51		
25	18.5	3600	254/6JP	<a href="#">025360T3E256JP-S</a>	<b>\$2,599</b>	P1S	218	1.15	29.1	91.7	24.843	230/460	9
		3600	254/6JP	<a href="#">025360T3H256JP-S</a>	<b>\$2,599</b>	P1S	218	1.15	23.3	91.7	24.843	575	9,51
		3600	254/6JP	<a href="#">025360T3V256JP-S</a>	<b>\$2,599</b>	P1S	218	1.15	33.5	91.7	24.843	200/400	9
		3600	254/6JP	<a href="#">025360T3E256JP-W40</a>	<b>\$2,599</b>	P1C	269	1.25	28.8	91.7	27.146	230/460	
		3600	254/6JP	<a href="#">025360T3H256JP-W40</a>	<b>\$2,599</b>	P1C	310	1.25	23.0	91.7	27.146	575	
		3600	254/6JP	<a href="#">025360T3V256JP-W40</a>	<b>\$2,599</b>	P1C	310	1.25	33.1	91.7	27.146	200/400	
		1800	284JP	<a href="#">025180T3E284JP-W40</a>	<b>\$2,911</b>	P1C	400	1.25	29.5	93.6	26.913	230/460	
		1800	284JP	<a href="#">025180T3H284JP-W40</a>	<b>\$2,911</b>	P1C	400	1.25	23.6	93.6	26.913	575	
		1200	324JP	<a href="#">025120T3E324JP-W40</a>	<b>\$4,306</b>	P1C	516	1.25	30.8	93.0	28.937	230/460	
30	22	3600	284JP	<a href="#">030360T3E284JP-W40</a>	<b>\$3,185</b>	P1C	354	1.25	35.0	91.7	26.913	230/460	
		3600	284JP	<a href="#">030360T3H284JP-W40</a>	<b>\$3,185</b>	P1C	367	1.25	28.0	91.7	26.913	575	
		3600	284JP	<a href="#">030360T3V284JP-W40</a>	<b>\$3,185</b>	P1C	422	1.25	40.3	91.7	26.913	200/400	
		1800	284/6JP	<a href="#">030180T3E286JP-W40</a>	<b>\$3,367</b>	P1C	447	1.25	34.9	94.1	28.413	230/460	
		1800	284/6JP	<a href="#">030180T3H286JP-W40</a>	<b>\$3,367</b>	P1C	453	1.25	27.9	94.1	28.413	575	
		1800	284/6JP	<a href="#">030180T3V286JP-W40</a>	<b>\$3,367</b>	P1C	447	1.25	40.1	94.1	28.413	200/400	51
		1200	324/6JP	<a href="#">030120T3E326JP-W40</a>	<b>\$4,980</b>	P1C	602	1.25	36.0	93.6	30.437	230/460	51
		3600	284/6JP	<a href="#">040360T3E286JP-W40</a>	<b>\$3,811</b>	P1C	398	1.25	46.8	92.4	28.413	230/460	
40	30	3600	284/6JP	<a href="#">040360T3H286JP-W40</a>	<b>\$3,811</b>	P1C	397	1.25	37.4	92.4	28.413	575	51
		3600	284/6JP	<a href="#">040360T3V286JP-W40</a>	<b>\$3,811</b>	P1C	532	1.25	53.8	92.4	28.413	200/400	
		1800	324JP	<a href="#">040180T3E324JP-W40</a>	<b>\$3,797</b>	P1C	499	1.25	47.6	94.1	28.937	230/460	
		1800	324JP	<a href="#">040180T3H324JP-W40</a>	<b>\$3,797</b>	P1C	491	1.25	38.1	94.1	28.937	575	51
		1800	324JP	<a href="#">040180T3V324JP-W40</a>	<b>\$3,797</b>	P1C	575	1.25	54.7	94.1	28.937	200/400	
		1200	364/5JP	<a href="#">040120T3E364JP-W40</a>	<b>\$7,444</b>	P1C	849	1.25	47.1	94.1	32.150	230/460	

continued on next page

### JP - ODP - Three Phase - continued

HP	kW	RPM	Frame	Catalog Number	List Price	Mult. Symbol	Approx. Shipping Weight (lbs)	Service Factor	FL Amps @ High	FL. Eff (%)	"C" Dimension (in)	Voltage (V)	Notes
50	37	3600	324JP	<a href="#">050360T3E324JP-W40</a>	\$4,607	P1C	479	1.25	58.7	93.0	28.937	230/460	
		3600	324JP	<a href="#">050360T3G324JP-W40</a>	\$4,607	P1C	477	1.25	58.7	93.0	28.937	460	
		3600	324JP	<a href="#">050360T3H324JP-W40</a>	\$4,607	P1C	525	1.25	47.0	93.0	28.937	575	51
		3600	324JP	<a href="#">050360T3V324JP-W40</a>	\$4,607	P1C	527	1.25	67.5	93.0	28.937	200/400	
		1800	324/6JP	<a href="#">050180T3E326JP-W40</a>	\$4,878	P1C	562	1.25	58.5	94.5	30.437	230/460	
		1800	324/6JP	<a href="#">050180T3H326JP-W40</a>	\$4,878	P1C	599	1.25	46.8	94.5	30.437	575	
		1200	364/5JP	<a href="#">050120T3E365JP-W40</a>	\$7,666	P1C	884	1.25	58.1	94.1	32.150	230/460	
60	45	3600	324/6JP	<a href="#">060360T3E326JP-W40</a>	\$5,432	P1C	524	1.25	71.0	93.6	30.437	230/460	
		3600	324/6JP	<a href="#">060360T3G326JP-W40</a>	\$5,432	P1C	522	1.25	71.0	93.6	30.437	460	
		3600	324/6JP	<a href="#">060360T3H326JP-W40</a>	\$5,432	P1C	521	1.25	56.8	93.6	30.437	575	51
		3600	324/6JP	<a href="#">060360T3V326JP-W40</a>	\$5,432	P1C	628	1.25	81.7	93.6	30.437	200/400	
		1800	364/5JP	<a href="#">060180T3E364JP-W40</a>	\$5,994	P1C	880	1.25	69.9	95.0	32.150	230/460	
		1800	364/5JP	<a href="#">060180T3G364JP-W40</a>	\$5,994	P1C	847	1.25	69.9	95.0	32.150	460	
		1800	364/5JP	<a href="#">060180T3H364JP-W40</a>	\$5,994	P1C	847	1.25	55.9	95.0	32.150	575	
75	55	1200	404/5JP	<a href="#">060120T3E404JP-W40</a>	\$9,462	P1C	1051	1.25	70.3	94.5	35.152	230/460	
		3600	364/5JP	<a href="#">075360T3E364JP-W40</a>	\$7,699	P1C	819	1.25	84.8	93.6	32.150	230/460	
		3600	364/5JP	<a href="#">075360T3G364JP-W40</a>	\$7,699	P1C	794	1.25	84.8	93.6	32.150	460	
		3600	364/5JP	<a href="#">075360T3H364JP-W40</a>	\$7,699	P1C	794	1.25	67.8	93.6	32.150	575	
		3600	364/5JP	<a href="#">075360T3V364JP-W40</a>	\$7,699	P1C	794	1.25	97.5	93.6	32.150	200/400	
		1800	364/5JP	<a href="#">075180T3E365JP-W40</a>	\$6,932	P1C	904	1.25	85.5	95.0	32.150	230/460	
		1800	364/5JP	<a href="#">075180T3G365JP-W40</a>	\$6,932	P1C	875	1.25	85.5	95.0	32.150	460	
100	75	1800	364/5JP	<a href="#">075180T3H365JP-W40</a>	\$6,932	P1C	875	1.25	68.4	95.0	32.150	575	
		1200	404/5JP	<a href="#">075120T3E405JP-W40</a>	\$9,762	P1C	1087	1.25	85.9	94.5	35.152	230/460	
		3600	364/5JP	<a href="#">100360T3E365JP-W40</a>	\$8,173	P1C	835	1.25	116	93.6	32.150	230/460	
		3600	364/5JP	<a href="#">100360T3G365JP-W40</a>	\$8,173	P1C	835	1.25	116	93.6	32.150	460	
125	125	1800	404/5JP	<a href="#">100180T3E404JP-W40</a>	\$8,783	P1C	1079	1.25	115	95.4	35.152	230/460	
		1800	404/5JP	<a href="#">100180T3G404JP-W40</a>	\$8,783	P1C	1070	1.25	115	95.4	35.152	460	
150	110	3600	404/5JP	<a href="#">125360T3G404JP-W40</a>	\$10,563	P1C	955	1.25	136	94.1	35.152	460	
		1800	404/5JP	<a href="#">125180T3G405JP-W40</a>	\$10,317	P1C	1156	1.25	138	95.4	35.152	460	
150	110	3600	404/5JP	<a href="#">150360T3G405JP-W40</a>	\$13,922	P1C	1004	1.25	167	94.1	35.152	460	

Please refer to back cover for description of "NOTES"

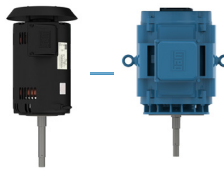
For detailed specifications, data sheets, drawings and performance curves visit <http://www.weg.net>

Data subject to change without notice.

Can't find what you are looking for? Call 1-800-ASK-4WEG (275-4934)

# Pump Motors

## CLOSE-COUPLED PUMP ODP MOTORS



### JP - ODP - Three Phase - Footless Vertical

HP	kW	RPM	Frame	Catalog Number	List Price	Mult. Symbol	Approx. Shipping Weight (lbs)	Service Factor	FL Amps @ High	FL. Eff (%)	"C" Dimension (in)	Voltage (V)	Notes
1.5	1.1	3600	143/5JP	<a href="#">001560T3E143JPV-S</a>	\$589	P1S	35	1.15	1.90	84.0	18.072	230/460	9;15
2	1.5	3600	143/5JP	<a href="#">002360T3E145JPV-S</a>	\$635	P1S	42	1.15	2.40	85.5	18.465	230/460	9;15
3	2.2	3600	143/5JP	<a href="#">003360T3E145JPV-S</a>	\$715	P1S	45	1.15	3.60	85.5	18.859	230/460	9;15
5	3.7	3600	182/4JP	<a href="#">005360T3E182JPV-S</a>	\$850	P1S	74	1.15	6.10	86.5	20.671	230/460	9;15
7.5	5.5	3600	182/4JP	<a href="#">007360T3E184JPV-S</a>	\$1,144	P1S	89	1.15	8.70	88.5	21.064	230/460	9;15,51
		3600	182/4JP	<a href="#">007360T3V184JPV-S</a>	\$1,144	P1S	89	1.15	10.0	88.5	21.064	200/400	9;15,51
		1200	254/6JP	<a href="#">007120T3E254JPV-S</a>	\$2,211	P1S	226	1.15	10.2	90.2	26.233	230/460	9;15
10	7.5	3600	213/5JP	<a href="#">010360T3E213JPV-S</a>	\$1,371	P1S	144	1.15	12.0	89.5	23.229	230/460	9;15
		3600	213/5JP	<a href="#">010360T3H213JPV-S</a>	\$1,371	P1S	144	1.15	9.60	89.5	23.229	575	9;15
		3600	213/5JP	<a href="#">010360T3V213JPV-S</a>	\$1,371	P1S	144	1.15	13.8	89.5	23.229	200/400	9;15,51
		1200	254/6JP	<a href="#">010120T3E256JPV-S</a>	\$2,396	P1S	254	1.15	13.9	91.7	26.233	230/460	9;15
15	11	3600	213/5JP	<a href="#">015360T3E215JPV-S</a>	\$1,789	P1S	160	1.15	17.2	90.2	24.016	230/460	9;15
		3600	213/5JP	<a href="#">015360T3H215JPV-S</a>	\$1,789	P1S	160	1.15	13.8	90.2	24.016	575	9;15
		3600	213/5JP	<a href="#">015360T3V215JPV-S</a>	\$1,789	P1S	160	1.15	19.8	90.2	24.016	200/400	9;15,51
		1800	254/6JP	<a href="#">015180T3V254JPV-S</a>	\$2,093	P1S	228	1.15	21.4	93.0	26.233	200/400	9;15
		1200	284/6JP	<a href="#">015120T3E284JPV-W40</a>	\$3,399	P1C	382	1.25	18.4	91.7	30.283	230/460	15
20	15	3600	254/6JP	<a href="#">020360T3E254JPV-S</a>	\$2,204	P1S	208	1.15	23.8	91.0	26.233	230/460	9;15
		3600	254/6JP	<a href="#">020360T3H254JPV-S</a>	\$2,204	P1S	208	1.15	19.0	91.0	26.233	575	9;15,51
		3600	254/6JP	<a href="#">020360T3V254JPV-S</a>	\$2,204	P1S	208	1.15	27.4	91.0	26.233	200/400	9;15,51
		1800	254/6JP	<a href="#">020180T3E256JPV-S</a>	\$2,580	P1S	198	1.15	25.0	93.0	26.772	230/460	9;15,51
25	18.5	3600	254/6JP	<a href="#">025360T3E256JPV-S</a>	\$2,697	P1S	222	1.15	29.1	91.7	26.233	230/460	9;15
		3600	254/6JP	<a href="#">025360T3H256JPV-S</a>	\$2,697	P1S	222	1.15	23.3	91.7	26.233	575	9;15,51
		3600	254/6JP	<a href="#">025360T3V256JPV-S</a>	\$2,697	P1S	222	1.15	33.5	91.7	26.233	200/400	9;15,51
		1800	284/6JP	<a href="#">025180T3E284JPV-W40</a>	\$3,137	P1C	423	1.25	29.5	93.6	30.283	230/460	15,51
30	22	3600	284JP	<a href="#">030360T3E284JPV*</a>	\$3,422	P1C	381	1.15	34.7	91.7	29.464	230/460	15
		3600	284JP	<a href="#">030360T3V284JPV*</a>	\$3,422	P1C	381	1.15	39.9	91.7	29.464	200/400	15
		3600	284/6JP	<a href="#">030360T3E284JPV-W40</a>	\$3,422	P1C	377	1.25	35.0	91.7	30.283	230/460	15
		3600	284/6JP	<a href="#">030360T3H284JPV-W40</a>	\$3,422	P1C	372	1.25	28.0	91.7	30.283	575	15;51
		3600	284/6JP	<a href="#">030360T3V284JPV-W40</a>	\$3,422	P1C	381	1.25	40.3	91.7	30.283	200/400	15
		1800	284/6JP	<a href="#">030180T3E286JPV-W40</a>	\$3,609	P1C	460	1.25	34.9	94.1	30.283	230/460	15
40	30	3600	286JP	<a href="#">040360T3E286JPV*</a>	\$4,066	P1C	425	1.15	47.1	92.4	30.957	230/460	15
		3600	286JP	<a href="#">040360T3V286JPV*</a>	\$4,066	P1C	425	1.15	54.2	92.4	30.957	200/400	15
		3600	284/6JP	<a href="#">040360T3E286JPV-W40</a>	\$4,066	P1C	411	1.25	46.8	92.4	30.283	230/460	15
		3600	284/6JP	<a href="#">040360T3V286JPV-W40</a>	\$4,066	P1C	414	1.25	53.8	92.4	30.283	200/400	15
		1800	324/6JP	<a href="#">040180T3E324JPV-W40</a>	\$4,077	P1C	515	1.25	47.6	94.1	32.307	230/460	15
		1800	324/6JP	<a href="#">040180T3V324JPV-W40</a>	\$4,077	P1C	520	1.25	54.7	94.1	32.307	200/400	15

continued on next page

### JP - ODP - Three Phase - Footless Vertical - continued

HP	kW	RPM	Frame	Catalog Number	List Price	Mult. Symbol	Approx. Shipping Weight (lbs)	Service Factor	FL Amps @ High	FL. Eff (%)	"C" Dimension (in)	Voltage (V)	Notes
50	37	3600	324JP	<b>050360T3E324.JPV*</b>	<b>\$4,911</b>	P1C	533	1.15	59.1	93.0	32.027	230/460	15
		3600	324JP	<b>050360T3V324.JPV*</b>	<b>\$4,911</b>	P1C	534	1.15	68.0	93.0	32.027	200/400	15
		3600	324/6JP	<b>050360T3E324.JPV-W40</b>	<b>\$4,911</b>	P1C	495	1.25	58.7	93.0	32.307	230/460	15
		3600	324/6JP	<b>050360T3H324.JPV-W40</b>	<b>\$4,911</b>	P1C	486	1.25	47.0	93.0	32.307	575	15
		3600	324/6JP	<b>050360T3V324.JPV-W40</b>	<b>\$4,911</b>	P1C	500	1.25	67.5	93.0	32.307	200/400	15
		1800	324/6JP	<b>050180T3E326.JPV-W40</b>	<b>\$5,190</b>	P1C	566	1.25	58.5	94.5	32.307	230/460	15
		1800	324/6JP	<b>050180T3V326.JPV-W40</b>	<b>\$5,190</b>	P1C	611	1.25	67.3	94.5	32.307	200/400	15
60	45	3600	326JP	<b>060360T3E326.JPV*</b>	<b>\$5,761</b>	P1C	581	1.15	71.0	93.6	33.523	230/460	15
		3600	326JP	<b>060360T3V326.JPV*</b>	<b>\$5,761</b>	P1C	583	1.15	81.7	93.6	33.523	200/400	15
		3600	324/6JP	<b>060360T3E326.JPV-W40</b>	<b>\$5,761</b>	P1C	528	1.25	71.0	93.6	32.307	230/460	15
		3600	324/6JP	<b>060360T3V326.JPV-W40</b>	<b>\$5,761</b>	P1C	534	1.25	81.7	93.6	32.307	200/400	15
		1800	364/5JP	<b>060180T3E364.JPV-W40</b>	<b>\$6,365</b>	P1C	884	1.25	69.9	95.0	34.745	230/460	15
		1800	364/5JP	<b>060180T3V364.JPV-W40</b>	<b>\$6,365</b>	P1C	883	1.25	80.4	95.0	34.745	200/400	15
75	55	3600	364/5JP	<b>075360T3E364.JPV*</b>	<b>\$8,121</b>	P1C	880	1.15	83.4	93.6	35.208	230/460	15
		3600	364/5JP	<b>075360T3E364.JPV-W40</b>	<b>\$8,121</b>	P1C	823	1.25	84.8	93.6	34.745	230/460	15
		3600	364/5JP	<b>075360T3H364.JPV-W40</b>	<b>\$8,121</b>	P1C	818	1.25	67.8	93.6	34.745	575	15
		3600	364/5JP	<b>075360T3V364.JPV-W40</b>	<b>\$8,121</b>	P1C	822	1.25	97.5	93.6	34.745	200/400	15
		1800	364/5JP	<b>075180T3E365.JPV-W40</b>	<b>\$7,331</b>	P1C	907	1.25	85.5	95.0	34.745	230/460	15
		1800	364/5JP	<b>075180T3V365.JPV-W40</b>	<b>\$7,331</b>	P1C	909	1.25	98.3	95.0	34.745	200/400	15
100	75	3600	364/5JP	<b>100360T3E365.JPV-W40</b>	<b>\$8,609</b>	P1C	875	1.25	116	93.6	34.745	230/460	15
		3600	364/5JP	<b>100360T3H365.JPV-W40</b>	<b>\$8,609</b>	P1C	870	1.25	92.8	93.6	34.745	575	15
		3600	364/5JP	<b>100360T3V365.JPV-W40</b>	<b>\$8,609</b>	P1C	875	1.25	133	93.6	34.745	200/400	15
		1800	404/5JP	<b>100180T3E404.JPV-W40</b>	<b>\$9,237</b>	P1C	1059	1.25	115	95.4	37.747	230/460	15
		1800	404/5JP	<b>100180T3V404.JPV-W40</b>	<b>\$9,237</b>	P1C	1059	1.25	132	95.4	37.747	200/400	15

\* To be discontinued and replaced by W40 model once inventory is depleted.



## CLOSE-COUPLED PUMP TEFC MOTORS - WITH INTERNAL AEGIS® SGR

### JM - TEFC - Three Phase

HP	kW	RPM	Frame	Catalog Number	List Price	Mult. Symbol	Approx. Shipping Weight (lbs)	Service Factor	FL Amps @ High	FL. Eff (%)	"C" Dimension (in)	Voltage (V)	Notes
1	0.75	1800	143/5JM	<a href="#">00118ET3E143JM-SG</a>	<b>\$764</b>	P1S	45	1.15	1.50	85.5	16.102	230/460	9;34
		1800	143/5JM	<a href="#">00118ET3H143JM-SG</a>	<b>\$764</b>	P1S	45	1.15	1.20	85.5	16.102	575	9;34
1.5	1.1	3600	143/5JM	<a href="#">00156ET3E143JM-SG</a>	<b>\$850</b>	P1S	41	1.15	1.90	84.0	15.709	230/460	9;34
		3600	143/5JM	<a href="#">00156ET3H143JM-SG</a>	<b>\$850</b>	P1S	41	1.15	1.50	84.0	15.709	575	9;34,51
		1800	143/5JM	<a href="#">00158ET3E145JM-SG</a>	<b>\$793</b>	P1S	47	1.15	2.00	86.5	16.102	230/460	9;34
		1800	143/5JM	<a href="#">00158ET3H145JM-SG</a>	<b>\$793</b>	P1S	47	1.15	1.60	86.5	16.102	575	9;34
2	1.5	3600	143/5JM	<a href="#">00236ET3E145JM-SG</a>	<b>\$834</b>	P1S	47	1.15	2.50	85.5	16.496	230/460	9;34
		3600	143/5JM	<a href="#">00236ET3H145JM-SG</a>	<b>\$834</b>	P1S	47	1.15	2.00	85.5	16.496	575	9;34,51
		1800	143/5JM	<a href="#">00218ET3E145JM-SG</a>	<b>\$858</b>	P1S	50	1.15	2.70	86.5	16.496	230/460	9;34
		1800	143/5JM	<a href="#">00218ET3H145JM-SG</a>	<b>\$858</b>	P1S	50	1.15	2.20	86.5	16.496	575	9;34
3	2.2	3600	182/4JM	<a href="#">00336ET3E182JM-SG</a>	<b>\$1,103</b>	P1S	81	1.15	3.70	86.5	17.835	230/460	9;34
		3600	182/4JM	<a href="#">00336ET3H182JM-SG</a>	<b>\$1,103</b>	P1S	81	1.15	2.90	86.5	17.835	575	9;34
		1800	182/4JM	<a href="#">00318ET3E182JM-SG</a>	<b>\$1,211</b>	P1S	87	1.15	3.80	89.5	19.409	230/460	9;34
		1800	182/4JM	<a href="#">00318ET3H182JM-SG</a>	<b>\$1,211</b>	P1S	101	1.15	3.10	89.5	19.409	575	9;34
5	3.7	3600	182/4JM	<a href="#">00536ET3E184JM-SG</a>	<b>\$1,264</b>	P1S	99	1.15	5.90	88.5	19.409	230/460	9;34
		3600	182/4JM	<a href="#">00536ET3H184JM-SG</a>	<b>\$1,264</b>	P1S	99	1.15	4.70	88.5	19.409	575	9;34
		1800	182/4JM	<a href="#">00518ET3E184JM-SG</a>	<b>\$1,331</b>	P1S	94	1.15	6.50	89.5	19.409	230/460	9;34
		1800	182/4JM	<a href="#">00518ET3H184JM-SG</a>	<b>\$1,331</b>	P1S	94	1.15	5.20	89.5	19.409	575	9;34
7.5	5.5	3600	213/5JM	<a href="#">00736ET3E213JM-SG</a>	<b>\$1,645</b>	P1S	152	1.15	8.70	89.5	21.220	230/460	9;34
		3600	213/5JM	<a href="#">00736ET3H213JM-SG</a>	<b>\$1,645</b>	P1S	152	1.15	6.90	89.5	21.220	575	9;34,51
		1800	213/5JM	<a href="#">00718ET3E213JM-SG</a>	<b>\$1,743</b>	P1S	139	1.15	9.10	91.7	20.039	230/460	9;34
		1800	213/5JM	<a href="#">00718ET3H213JM-SG</a>	<b>\$1,743</b>	P1S	139	1.15	7.30	91.7	20.039	575	9;34
10	7.5	3600	213/5JM	<a href="#">01036ET3E215JM-SG</a>	<b>\$2,001</b>	P1S	179	1.15	11.5	90.2	22.795	230/460	9;34
		3600	213/5JM	<a href="#">01036ET3H215JM-SG</a>	<b>\$2,001</b>	P1S	179	1.15	9.20	90.2	22.795	575	9;34
		1800	213/5JM	<a href="#">01018ET3E215JM-SG</a>	<b>\$2,023</b>	P1S	151	1.15	12.2	91.7	20.433	230/460	9;34
		1800	213/5JM	<a href="#">01018ET3H215JM-SG</a>	<b>\$2,023</b>	P1S	151	1.15	9.80	91.7	20.433	575	9;34
15	11	3600	213/5JM	<a href="#">01536ET3E215JM-SG</a>	<b>\$2,258</b>	P1S	178	1.15	17.0	91.0	22.795	230/460	9;34
		3600	213/5JM	<a href="#">01536ET3H215JM-SG</a>	<b>\$2,258</b>	P1S	178	1.15	13.6	91.0	22.795	575	9;34
		3600	254/6JM	<a href="#">01536ET3E254JM-SG</a>	<b>\$2,909</b>	P1S	216	1.15	17.4	91.0	24.055	230/460	9;34
		3600	254/6JM	<a href="#">01536ET3H254JM-SG</a>	<b>\$2,909</b>	P1S	216	1.15	13.9	91.0	24.055	575	9;34
		1800	254/6JM	<a href="#">01518ET3E254JM-SG</a>	<b>\$2,933</b>	P1S	249	1.15	18.2	92.4	24.055	230/460	9;34
		1800	254/6JM	<a href="#">01518ET3H254JM-SG</a>	<b>\$2,933</b>	P1S	249	1.15	14.6	92.4	24.055	575	9;34
20	15	3600	254/6JM	<a href="#">02036ET3E256JM-SG</a>	<b>\$3,298</b>	P1S	257	1.15	22.7	91.0	24.843	230/460	9;34
		3600	254/6JM	<a href="#">02036ET3H256JM-SG</a>	<b>\$3,298</b>	P1S	257	1.15	18.2	91.0	24.843	575	9;34,51
		1800	254/6JM	<a href="#">02018ET3E256JM-SG</a>	<b>\$3,188</b>	P1S	279	1.15	24.7	92.4	24.843	230/460	9;34
		1800	254/6JM	<a href="#">02018ET3H256JM-SG</a>	<b>\$3,188</b>	P1S	279	1.15	19.8	93.0	24.843	575	9;34



JP - TEFC - Three Phase

HP	kW	RPM	Frame	Catalog Number	List Price	Mult. Symbol	Approx. Shipping Weight (lbs)	Service Factor	FL Amps @ High	FL. Eff (%)	"C" Dimension (in)	Voltage (V)	Notes
1	0.75	1800	143/5JP	<a href="#">00118ET3E143JP-SG</a>	\$764	P1S	50	1.15	1.50	85.5	19.173	230/460	9;34
		3600	143/5JP	<a href="#">00156ET3E143JP-SG</a>	\$850	P1S	46	1.15	1.90	84.0	18.780	230/460	9;34
1.5	1.1	1800	143/5JP	<a href="#">00158ET3E145JP-SG</a>	\$793	P1S	52	1.15	2.00	86.5	19.173	230/460	9;34
		3600	143/5JP	<a href="#">00236ET3E145JP-SG</a>	\$834	P1S	52	1.15	2.50	85.5	19.567	230/460	9;34
2	1.5	1800	143/5JP	<a href="#">00218ET3E145JP-SG</a>	\$858	P1S	55	1.15	2.70	86.5	19.567	230/460	9;34
		3600	182/4JP	<a href="#">00336ET3E182JP-SG</a>	\$1,103	P1S	88	1.15	3.70	86.5	20.906	230/460	9;34
3	2.2	1800	182/4JP	<a href="#">00318ET3E182JP-SG</a>	\$1,211	P1S	87	1.15	3.80	89.5	22.480	230/460	9;34
		3600	182/4JP	<a href="#">00536ET3E184JP-SG</a>	\$1,264	P1S	106	1.15	5.90	88.5	22.480	230/460	9;34
5	3.7	1800	182/4JP	<a href="#">00518ET3E184JP-SG</a>	\$1,331	P1S	105	1.15	6.50	89.5	22.480	230/460	9;34
		3600	213/5JP	<a href="#">00736ET3E213JP-SG</a>	\$1,645	P1S	161	1.15	8.70	89.5	25.079	230/460	9;34
7.5	5.5	1800	213/5JP	<a href="#">00718ET3E213JP-SG</a>	\$1,743	P1S	148	1.15	9.10	91.7	23.898	230/460	9;34
		1800	213/5JP	<a href="#">00718ET3H213JP-SG</a>	\$1,743	P1S	148	1.15	7.30	91.7	23.898	575	9;34
		3600	213/5JP	<a href="#">01036ET3E215JP-SG</a>	\$2,001	P1S	184	1.15	11.5	90.2	26.654	230/460	9;34
10	7.5	1800	213/5JP	<a href="#">01018ET3E215JP-SG</a>	\$2,023	P1S	160	1.15	12.2	91.7	24.291	230/460	9;34
		1800	213/5JP	<a href="#">01018ET3H215JP-SG</a>	\$2,023	P1S	160	1.15	9.80	91.7	24.291	575	9;34
		3600	254/6JP	<a href="#">01536ET3E254JP-SG</a>	\$2,909	P1S	217	1.15	17.4	91.0	26.929	230/460	9;34
15	11	1800	254/6JP	<a href="#">01518ET3E254JP-SG</a>	\$2,933	P1S	251	1.15	18.2	92.4	26.929	230/460	9;34
		3600	254/6JP	<a href="#">02036ET3E256JP-SG</a>	\$3,298	P1S	258	1.15	22.7	91.0	27.717	230/460	9;34
20	15	1800	254/6JP	<a href="#">02018ET3E256JP-SG</a>	\$3,188	P1S	281	1.15	24.7	93.0	27.717	230/460	9;34
		3600	324/6JP	<a href="#">05018ET3E326JP-W22G</a>	\$7,024	P1	476	1.25	59.2	94.5	34.021	230/460	34;51

Please refer to back cover for description of "NOTES"

For detailed specifications, data sheets, drawings and performance curves visit <http://www.weg.net>

Data subject to change without notice.

Can't find what you are looking for? Call 1-800-ASK-4WEG (275-4934)



## CLOSE-COUPLED PUMP ODP MOTORS - WITH INTERNAL AEGIS® SGR

### JM - ODP - Three Phase

HP	kW	RPM	Frame	Catalog Number	List Price	Mult. Symbol	Approx. Shipping Weight (lbs)	Service Factor	FL Amps @ High	FL. Eff (%)	"C" Dimension (in)	Voltage (V)	Notes
1	0.75	1800	143/5JM	<a href="#">001180T3E143JM-SG</a>	\$626	P1S	40	1.15	1.50	85.5	13.701	230/460	9;34
		1800	143/5JM	<a href="#">001180T3H143JM-SG</a>	\$626	P1S	40	1.15	1.20	85.5	13.701	575	9;34
1.5	1.1	3600	143/5JM	<a href="#">001560T3E143JM-SG</a>	\$674	P1S	33	1.15	1.90	84.0	13.701	230/460	9;34
		3600	143/5JM	<a href="#">001560T3H143JM-SG</a>	\$674	P1S	33	1.15	1.50	84.0	13.701	575	9;34,51
		1800	143/5JM	<a href="#">001580T3E145JM-SG</a>	\$693	P1S	47	1.15	2.10	86.5	14.882	230/460	9;34
		1800	143/5JM	<a href="#">001580T3H145JM-SG</a>	\$693	P1S	47	1.15	1.70	86.5	14.882	575	9;34
2	1.5	3600	143/5JM	<a href="#">002360T3E145JM-SG</a>	\$720	P1S	40	1.15	2.40	85.5	14.094	230/460	9;34,51
		3600	143/5JM	<a href="#">002360T3H145JM-SG</a>	\$720	P1S	40	1.15	1.90	85.5	14.094	575	9;34
		3600	143/5JM	<a href="#">002360T3V145JM-SG</a>	\$720	P1S	40	1.15	2.80	85.5	14.094	200/400	9;34
		1800	143/5JM	<a href="#">002180T3E145JM-SG</a>	\$747	P1S	44	1.15	2.70	86.5	14.882	230/460	9;34
		1800	143/5JM	<a href="#">002180T3H145JM-SG</a>	\$747	P1S	44	1.15	2.20	86.5	14.882	575	9;34
3	2.2	3600	143/5JM	<a href="#">003360T3E145JM-SG</a>	\$800	P1S	43	1.15	3.60	85.5	14.488	230/460	9;34
		3600	143/5JM	<a href="#">003360T3H145JM-SG</a>	\$800	P1S	43	1.15	2.90	85.5	14.488	575	9;34
		3600	143/5JM	<a href="#">003360T3V145JM-SG</a>	\$800	P1S	43	1.15	4.10	85.5	14.488	200/400	9;34
		1800	182/4JM	<a href="#">003180T3E182JM-SG</a>	\$835	P1S	85	1.15	3.90	89.5	16.654	230/460	9;34
		1800	182/4JM	<a href="#">003180T3H182JM-SG</a>	\$835	P1S	85	1.15	3.10	89.5	16.654	575	9;34
		1800	182/4JM	<a href="#">003180T3V182JM-SG</a>	\$835	P1S	85	1.15	4.40	89.5	16.654	200/400	9;34
5	3.7	3600	182/4JM	<a href="#">005360T3E182JM-SG</a>	\$962	P1S	70	1.15	6.10	86.5	16.260	230/460	9;34
		3600	182/4JM	<a href="#">005360T3H182JM-SG</a>	\$962	P1S	70	1.15	4.90	86.5	16.260	575	9;34
		3600	182/4JM	<a href="#">005360T3V182JM-SG</a>	\$962	P1S	70	1.15	7.00	86.5	16.260	200/400	9;34
		1800	182/4JM	<a href="#">005180T3E184JM-SG</a>	\$1,019	P1S	96	1.15	6.30	89.5	17.835	230/460	9;34
		1800	182/4JM	<a href="#">005180T3H184JM-SG</a>	\$1,019	P1S	96	1.15	5.10	89.5	17.835	575	9;34
7.5	5.5	3600	182/4JM	<a href="#">007360T3E184JM-SG</a>	\$1,256	P1S	88	1.15	8.70	88.5	16.654	230/460	9;34
		3600	182/4JM	<a href="#">007360T3H184JM-SG</a>	\$1,256	P1S	88	1.15	6.90	88.5	16.654	575	9;34
		1800	213/5JM	<a href="#">007180T3E213JM-SG</a>	\$1,320	P1S	135	1.15	9.30	91.0	17.717	230/460	9;34
		1800	213/5JM	<a href="#">007180T3H213JM-SG</a>	\$1,320	P1S	135	1.15	7.40	91.0	17.717	575	9;34
10	7.5	3600	213/5JM	<a href="#">010360T3E213JM-SG</a>	\$1,489	P1S	135	1.15	12.0	89.5	18.110	230/460	9;34
		3600	213/5JM	<a href="#">010360T3H213JM-SG</a>	\$1,489	P1S	135	1.15	9.60	89.5	18.110	575	9;34
		1800	213/5JM	<a href="#">010180T3E215JM-SG</a>	\$1,566	P1S	140	1.15	12.4	91.7	17.717	230/460	9;34
		1800	213/5JM	<a href="#">010180T3H215JM-SG</a>	\$1,566	P1S	140	1.15	9.90	91.7	17.717	575	9;34
15	11	3600	213/5JM	<a href="#">015360T3E215JM-SG</a>	\$1,907	P1S	151	1.15	17.2	90.2	18.898	230/460	9;34
		3600	213/5JM	<a href="#">015360T3H215JM-SG</a>	\$1,907	P1S	151	1.15	13.8	90.2	18.898	575	9;34
		1800	254/6JM	<a href="#">015180T3E254JM-SG</a>	\$2,275	P1S	226	1.15	18.6	93.0	21.969	230/460	9;34
		1800	254/6JM	<a href="#">015180T3H254JM-SG</a>	\$2,275	P1S	226	1.15	14.9	93.0	21.969	575	9;34
20	15	3600	254/6JM	<a href="#">020360T3E254JM-SG</a>	\$2,387	P1S	202	1.15	23.8	91.0	21.969	230/460	9;34
		3600	254/6JM	<a href="#">020360T3H254JM-SG</a>	\$2,387	P1S	202	1.15	19.0	91.0	21.969	575	9;34
		1800	254/6JM	<a href="#">020180T3E256JM-SG</a>	\$2,693	P1S	250	1.15	25.0	93.0	21.969	230/460	9;34
		1800	254/6JM	<a href="#">020180T3H256JM-SG</a>	\$2,693	P1S	250	1.15	20.0	93.0	21.969	575	9;34
25	18.5	3600	254/6JM	<a href="#">025360T3E256JM-SG</a>	\$2,879	P1S	225	1.15	29.1	91.7	21.969	230/460	9;34
		3600	254/6JM	<a href="#">025360T3H256JM-SG</a>	\$2,879	P1S	225	1.15	23.3	91.7	21.969	575	9;34,51

Please refer to back cover for description of "NOTES"

 For detailed specifications, data sheets, drawings and performance curves visit <http://www.weg.net>





## CLOSE-COUPLED PUMP ODP MOTORS - WITH INTERNAL AEGIS® SGR

### JP - ODP - Three Phase

HP	kW	RPM	Frame	Catalog Number	List Price	Mult. Symbol	Approx. Shipping Weight (lbs)	Service Factor	FL Amps @ High	FL. Eff (%)	"C" Dimension (in)	Voltage (V)	Notes
1	0.75	1800	143/5JP	<a href="#">001180T3E143JP-SG</a>	\$626	P1S	40	1.15	1.50	85.5	16.772	230/460	9;34
		3600	143/5JP	<a href="#">001560T3E143JP-SG</a>	\$674	P1S	35	1.15	1.90	84.0	16.772	230/460	9;34
1.5	1.1	1800	143/5JP	<a href="#">001580T3E145JP-SG</a>	\$693	P1S	47	1.15	2.10	86.5	17.953	230/460	9;34
		3600	143/5JP	<a href="#">002360T3E145JP-SG</a>	\$720	P1S	42	1.15	2.40	85.5	17.165	230/460	9;34
2	1.5	1800	143/5JP	<a href="#">002180T3E145JP-SG</a>	\$747	P1S	45	1.15	2.70	86.5	17.953	230/460	9;34
		3600	143/5JP	<a href="#">003360T3E145JP-SG</a>	\$800	P1S	45	1.15	3.60	85.5	17.559	230/460	9;34
3	2.2	1800	182/4JP	<a href="#">003180T3E182JP-SG</a>	\$835	P1S	85	1.15	3.90	89.5	19.724	230/460	9;34
		3600	182/4JP	<a href="#">005360T3E182JP-SG</a>	\$962	P1S	74	1.15	6.10	86.5	19.331	230/460	9;34
5	3.7	1800	182/4JP	<a href="#">005180T3E184JP-SG</a>	\$1,019	P1S	99	1.15	6.30	89.5	20.906	230/460	9;34
		3600	182/4JP	<a href="#">007360T3E184JP-SG</a>	\$1,256	P1S	89	1.15	8.70	88.5	19.724	230/460	9;34
7.5	5.5	1800	213/5JP	<a href="#">007180T3E213JP-SG</a>	\$1,320	P1S	144	1.15	9.30	91.0	21.575	230/460	9;34
		1800	213/5JP	<a href="#">007180T3H213JP-SG</a>	\$1,320	P1S	144	1.15	7.40	91.0	21.575	575	9;34
		1800	213/5JP	<a href="#">007180T3V213JP-SG</a>	\$1,320	P1S	144	1.15	10.6	91.0	21.575	200/400	9;34
		3600	213/5JP	<a href="#">010360T3E213JP-SG</a>	\$1,489	P1S	144	1.15	12.0	89.5	21.969	230/460	9;34
10	7.5	3600	213/5JP	<a href="#">010360T3H213JP-SG</a>	\$1,489	P1S	144	1.15	9.60	89.5	21.969	575	9;34
		1800	213/5JP	<a href="#">010180T3E215JP-SG</a>	\$1,566	P1S	149	1.15	12.4	91.7	21.575	230/460	9;34
		1800	213/5JP	<a href="#">010180T3H215JP-SG</a>	\$1,566	P1S	149	1.15	9.9	91.7	21.575	575	9;34
		1800	213/5JP	<a href="#">010180T3V215JP-SG</a>	\$1,566	P1S	149	1.15	14.3	91.7	21.575	200/400	9;34
		3600	213/5JP	<a href="#">015360T3E215JP-SG</a>	\$1,907	P1S	160	1.15	17.2	90.2	22.756	230/460	9;34
15	11	3600	213/5JP	<a href="#">015360T3H215JP-SG</a>	\$1,907	P1S	160	1.15	13.8	90.2	22.756	575	9;34
		1800	254/6JP	<a href="#">015180T3E254JP-SG</a>	\$2,275	P1S	228	1.15	18.6	93.0	24.843	230/460	9;34
		3600	254/6JP	<a href="#">020360T3E254JP-SG</a>	\$2,387	P1S	204	1.15	23.8	91.0	24.843	230/460	9;34
20	15	1800	254/6JP	<a href="#">020180T3E256JP-SG</a>	\$2,693	P1S	252	1.15	25.0	93.0	24.843	230/460	9;34
		3600	254/6JP	<a href="#">025360T3E256JP-SG</a>	\$2,879	P1S	218	1.15	29.1	91.7	24.843	230/460	9;34
25	18.5	1800	284JP	<a href="#">025180T3E284JP-G</a>	\$3,221	P1C	392	1.15	29.9	93.6	27.141	230/460	34

Please refer to back cover for description of "NOTES"

For detailed specifications, data sheets, drawings and performance curves visit <http://www.weg.net>

Data subject to change without notice.

Can't find what you are looking for? Call 1-800-ASK-4WEG (275-4934)

# Pump Motors

## FIRE PUMP MOTORS

### ODP and TEFC- Three Phase - High Efficiency

WEG Open Drip Proof motors are designed to meet demanding applications in environments where dirt and humidity are minimal, with W22 as an option for more demanding environments. These motors are specifically designed to provide maximum ventilation and cool operation.

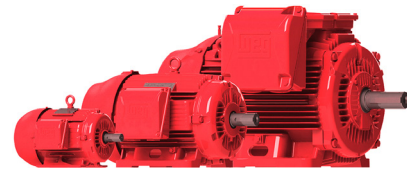
#### Features that make a difference:

- Class F insulation (Impregnation Resin and Magnet wire are class H)
- Class B Rise at 1.15 Service Factor
- F1 Mounted (Cast Iron Frame motors are F2 convertible)
- Stainless Steel Nameplate - Laser etched with high contrast background (Cast Iron Frames only)
- Cast Iron Frames: Regreasable ball bearings (Frames 254T and up)
- Rolled Steel Frames: ZZ ball bearings (Permanently lubricated)
- UL Listed for Fire Pump service
- 12 leads on 200/400V and 230/460V available on all frames.



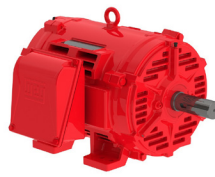
ODP

Inverter Rated:  
1000:1 for variable torque



TEFC





### ODP - Three Phase

HP	kW	RPM	Frame	Catalog Number	List Price	Mult. Symbol	Approx. Shipping Weight (lbs)	Service Factor	FL Amps @ High	FL Eff (%)	"C" Dimension (in)	Voltage (V)	Notes
20	15	3600	254T	<b>020360P3EFP254T-W40</b>	<b>\$1,469</b>	W1B	229	1.15	24.3	90.2	20.537	230/460	30
		1800	254/6T	<b>020180P3EFP256T-W40</b>	<b>\$1,526</b>	W1B	229	1.15	24.6	91.0	22.285	230/460	30,51
25	18.5	3600	254/6T	<b>025360P3EFP256T-S</b>	<b>\$1,783</b>	W1S	192	1.15	29.0	91.0	20.472	230/460	9;30
		3600	254/6T	<b>025360P3HFP256T-S</b>	<b>\$1,783</b>	W1S	192	1.15	23.2	91.0	20.472	575	9;30
		3600	254/6T	<b>025360P3VFP256T-S</b>	<b>\$1,783</b>	W1S	192	1.15	33.3	91.0	20.472	200/400	9;30
		3600	254/6T	<b>025360P3EFP256T-W40</b>	<b>\$1,783</b>	W1B	224	1.15	29.7	91.0	22.285	230/460	30
		3600	254/6T	<b>025360P3HFP256T-W40</b>	<b>\$1,783</b>	W1B	223	1.15	23.8	91.0	22.285	575	30
		1800	284TS	<b>025180P3EFP284TS-W40</b>	<b>\$1,799</b>	W1B	395	1.15	30.1	91.7	21.783	230/460	30
		1800	284TS	<b>025180P3VFP284TS-W40</b>	<b>\$1,799</b>	W1B	395	1.15	34.6	91.7	21.783	200/400	30
30	22	3600	284TS	<b>030360P3EFP284TS-W40</b>	<b>\$2,033</b>	W1B	331	1.15	34.9	91.0	21.783	230/460	30
		3600	284TS	<b>030360P3HFP284TS-W40</b>	<b>\$2,033</b>	W1B	331	1.15	27.9	91.0	21.783	575	30
		3600	284TS	<b>030360P3VFP284TS-W40</b>	<b>\$2,033</b>	W1B	331	1.15	40.1	91.0	21.783	200/400	30
		1800	284/6TS	<b>030180P3EFP286TS-W40</b>	<b>\$2,108</b>	W1B	413	1.15	35.6	92.4	23.283	230/460	30
		1800	284/6TS	<b>030180P3VFP286TS-W40</b>	<b>\$2,108</b>	W1B	413	1.15	40.9	92.4	23.283	200/400	30
40	30	3600	284/6TS	<b>040360P3EFP286TS-W40</b>	<b>\$2,757</b>	W1B	365	1.15	47.2	91.7	23.283	230/460	30
		3600	284/6TS	<b>040360P3HFP286TS-W40</b>	<b>\$2,757</b>	W1B	364	1.15	37.8	91.7	23.283	575	30
		3600	284/6TS	<b>040360P3VFP286TS-W40</b>	<b>\$2,757</b>	W1B	365	1.15	54.3	91.7	23.283	200/400	30
		1800	324TS	<b>040180P3EFP324TS-W40</b>	<b>\$2,652</b>	W1B	467	1.15	48.2	93.0	24.307	230/460	30
		1800	324TS	<b>040180P3HFP324TS-W40</b>	<b>\$2,652</b>	W1B	466	1.15	38.6	93.0	24.307	575	30
		1800	324TS	<b>040180P3VFP324TS-W40</b>	<b>\$2,652</b>	W1B	468	1.15	55.4	93.0	24.307	200/400	30
50	37	3600	324TS	<b>050360P3EFP324TS-W40</b>	<b>\$3,184</b>	W1B	457	1.15	58.4	92.4	24.307	230/460	30
		3600	324TS	<b>050360P3HFP324TS-W40</b>	<b>\$3,184</b>	W1B	457	1.15	46.7	92.4	24.307	575	30
		3600	324TS	<b>050360P3VFP324TS-W40</b>	<b>\$3,184</b>	W1B	457	1.15	67.2	92.4	24.307	200/400	30
		3600	324TS	<b>050360P3JFP324TS-W40</b>	<b>\$3,184</b>	W1B	457	1.15	70.7	92.4	24.307	380	30
		1800	324/6TS	<b>050180P3EFP326TS-W40</b>	<b>\$3,015</b>	W1B	502	1.15	60.2	93.0	25.807	230/460	30
		1800	324/6TS	<b>050180P3VFP326TS-W40</b>	<b>\$3,015</b>	W1B	502	1.15	69.2	93.0	25.807	200/400	30
60	45	3600	326TS	<b>060360P3VFP326TS*</b>	<b>\$4,008</b>	W1B	527	1.15	81.2	93.0	26.181	200/400	30;31
		3600	324/6TS	<b>060360P3EFP326TS-W40</b>	<b>\$4,008</b>	W1B	485	1.15	70.6	93.0	25.807	230/460	30
		3600	324/6TS	<b>060360P3HFP326TS-W40</b>	<b>\$4,008</b>	W1B	484	1.15	56.5	93.0	25.807	575	30
		3600	324/6TS	<b>060360P3VFP326TS-W40</b>	<b>\$4,008</b>	W1B	487	1.15	81.2	93.0	25.807	200/400	30
		3600	324/6TS	<b>060360P3JFP326TS-W40</b>	<b>\$4,008</b>	W1B	486	1.15	85.5	93.0	25.807	380	30
		1800	364/5TS	<b>060180P3EFP364TS-W40</b>	<b>\$3,703</b>	W1B	771	1.15	71.0	93.6	27.522	230/460	30
		1800	364/5TS	<b>060180P3HFP364TS-W40</b>	<b>\$3,703</b>	W1B	767	1.15	56.8	93.6	27.522	575	30
		1800	364/5TS	<b>060180P3VFP364TS-W40</b>	<b>\$3,703</b>	W1B	771	1.15	81.7	93.6	27.522	200/400	30
75	55	3600	364/5TS	<b>075360P3EFP364TS-W40</b>	<b>\$5,074</b>	W1B	771	1.15	85.3	93.0	27.522	230/460	30
		3600	364/5TS	<b>075360P3HFP364TS-W40</b>	<b>\$5,074</b>	W1B	769	1.15	68.2	93.0	27.522	575	30
		3600	364/5TS	<b>075360P3VFP364TS-W40</b>	<b>\$5,074</b>	W1B	773	1.15	98.1	93.0	27.522	200/400	30
		3600	364/5TS	<b>075360P3JFP364TS-W40</b>	<b>\$5,074</b>	W1B	771	1.15	103	93.0	27.522	380	30
		1800	364/5TS	<b>075180P3EFP365TS-W40</b>	<b>\$4,715</b>	W1B	852	1.15	85.3	94.1	27.522	230/460	30
		1800	364/5TS	<b>075180P3HFP365TS-W40</b>	<b>\$4,715</b>	W1B	848	1.15	68.2	94.1	27.522	575	30
		1800	364/5TS	<b>075180P3VFP365TS-W40</b>	<b>\$4,715</b>	W1B	851	1.15	98.1	94.1	27.522	200/400	30

continued on next page

Please refer to back cover for description of "NOTES"

For detailed specifications, data sheets, drawings and performance curves visit <http://www.weg.net>

Data subject to change without notice.

## FIRE PUMP MOTORS

### ODP - Three Phase - continued

HP	kW	RPM	Frame	Catalog Number	List Price	Mult. Symbol	Approx. Shipping Weight (lbs)	Service Factor	FL Amps @ High	FL. Eff (%)	"C" Dimension (in)	Voltage (V)	Notes
100	75	3600	364/5TS	100360P3EFP365TS-W40	\$6,152	W1B	842	1.15	115	93.0	27.522	230/460	30
		3600	364/5TS	100360P3HFP365TS-W40	\$6,152	W1B	838	1.15	92.0	93.0	27.522	575	30
		3600	364/5TS	100360P3VFP365TS-W40	\$6,152	W1B	842	1.15	132	93.0	27.522	200/400	30
		3600	364/5TS	100360P3JFP365TS-W40	\$6,152	W1B	841	1.15	139	93.0	27.522	380	30
		1800	404/5TS	100180P3EFP404TS-W40	\$6,065	W1B	930	1.15	116	94.1	31.100	230/460	30
		1800	404/5TS	100180P3HFP404TS-W40	\$6,065	W1B	927	1.15	92.8	94.1	31.100	575	30
		1800	404/5TS	100180P3VFP404TS-W40	\$6,065	W1B	928	1.15	133	94.1	31.100	200/400	30
		1800	404/5T	100180P3EFP404T-W40	\$6,065	W1B	946	1.15	116	94.1	34.100	230/460	30
125	90	3600	404/5TS	125360P3EFP404TS-W40	\$7,762	W1B	940	1.15	137	93.6	31.100	230/460	30
		3600	404/5TS	125360P3GFP404TS-W40	\$7,762	W1B	934	1.15	137	93.6	31.100	460	30
		3600	404/5TS	125360P3HFP404TS-W40	\$7,762	W1B	934	1.15	110	93.6	31.100	575	30
		3600	404/5TS	125360P3VFP404TS-W40	\$7,762	W1B	934	1.15	158	93.6	31.100	200/400	30
		3600	404/5TS	125360P3JFP404TS-W40	\$7,762	W1B	938	1.15	166	93.6	31.100	380	30
		1800	404/5TS	125180P3EFP405TS-W40	\$6,651	W1B	1088	1.15	139	94.5	31.100	230/460	30
		1800	404/5TS	125180P3GFP405TS-W40	\$6,651	W1B	1084	1.15	139	94.5	31.100	460	30,51
		1800	404/5TS	125180P3HFP405TS-W40	\$6,651	W1B	1081	1.15	111	94.5	31.100	575	30
1800	404/5TS	125180P3VFP405TS-W40	\$6,651	W1B	1089	1.15	160	94.5	31.100	200/400	30		
150	110	3600	404/5TS	150360P3EFP405TS-W40	\$10,042	W1B	1042	1.15	164	93.6	31.100	230/460	30
		3600	404/5TS	150360P3GFP405TS-W40	\$10,042	W1B	1040	1.15	164	93.6	31.100	460	30
		3600	404/5TS	150360P3HFP405TS-W40	\$10,042	W1B	1038	1.15	131	93.6	31.100	575	30
		3600	404/5TS	150360P3VFP405TS-W40	\$10,042	W1B	1038	1.15	188	93.6	31.100	200/400	30
		3600	404/5TS	150360P3JFP405TS-W40	\$10,042	W1B	1042	1.15	199	93.6	31.100	380	30
		1800	444/5TS	150180P3EFP444TS-W40	\$8,891	W1B	1426	1.15	169	95.0	34.358	230/460	30
		1800	444/5TS	150180P3GFP444TS-W40	\$8,891	W1B	1424	1.15	169	95.0	34.358	460	30,51
		1800	444/5TS	150180P3HFP444TS-W40	\$8,891	W1B	1422	1.15	135	95.0	34.358	575	30
200	150	3600	444/5TS	200360P3GFP444TS-W40	\$12,782	W1B	1415	1.15	224	94.5	34.358	460	30
		3600	444/5TS	200360P3HFP444TS-W40	\$12,782	W1B	1408	1.15	179	94.5	34.358	575	30
		3600	444/5TS	200360P3JFP444TS-W40	\$12,782	W1B	1413	1.15	271	94.5	34.358	380	30
		1800	444/5TS	200180P3GFP445TS-W40	\$10,837	W1B	1471	1.15	230	95.0	34.358	460	30
		1800	444/5TS	200180P3HFP445TS-W40	\$10,837	W1B	1469	1.15	184	95.0	34.358	575	30
		3600	444/5TS	250360P3GFP445TS-W40	\$15,654	W1B	1472	1.15	282	94.5	34.358	460	30
250	185	3600	444/5TS	250360P3HFP445TS-W40	\$15,654	W1B	1515	1.15	226	94.5	34.358	575	30,51
		1800	444/5TS	250180P3GFP445TS-W40	\$13,358	W1B	1618	1.15	283	95.4	34.358	460	30
		1800	444/5TS	250180P3HFP445TS-W40	\$13,358	W1B	1617	1.15	226	95.4	34.358	575	30
		3600	444/5TS	300360P3GFP445TS-W40	\$19,556	W1B	1594	1.15	327	95.0	34.358	460	30
300	220	3600	444/5TS	300360P3HFP445TS-W40	\$19,556	W1B	1596	1.15	262	95.0	34.358	575	30
		1800	447/9TS	300180P3GFP447/9TSW4	\$19,168	W1B	2055	1.15	336	95.5	42.959	460	30
		3600	447/9TS	350360P3GFP447/9TSW4	\$22,346	W1B	2100	1.15	386	95.0	42.959	460	30
350	260	3600	447/9TS	350360P3HFP447/9TSW4	\$22,346	W1B	2020	1.15	309	95.0	42.959	575	30
		1800	447/9TS	350180P3GFP447/9TSW4	\$22,807	W1B	2239	1.15	393	95.5	42.959	460	30
		1800	447/9TS	350180P3HFP447/9TSW4	\$22,807	W1B	2555	1.15	314	95.5	42.959	575	30
		3600	447/9TS	400360P3GFP447/9TSW4	\$24,140	W1B	2180	1.15	443	95.4	42.959	460	30
400	300	3600	447/9TS	400360P3HFP447/9TSW4	\$24,140	W1B	2103	1.15	354	95.4	42.959	575	30
		1800	447/9TS	400180P3QFP447/9TSW4	\$25,570	W1B	2475	1.15	443	95.5	42.959	460	30,51
		1800	447/9TS	400180P3HFP447/9TSW4	\$25,570	W1B	2695	1.15	354	95.5	42.959	575	30,51
		3600	447/9TS	450360P3GFP447/9TSW4	\$26,055	W1B	2306	1.15	480	95.8	42.959	460	30
450	330	3600	447/9TS	450360P3HFP447/9TSW4	\$26,055	W1B	2306	1.15	384	95.8	42.959	575	30
		3600	447/9TS	500360P3GFP447/9TSW4	\$27,711	W1B	2365	1.15	539	95.8	42.959	460	30
500	370	3600	447/9TS	500360P3HFP447/9TSW4	\$27,711	W1B	2365	1.15	431	95.8	42.959	575	30



ODP - Three Phase - C-Face

HP	kW	RPM	Frame	Catalog Number	List Price	Mult. Symbol	Approx. Shipping Weight (lbs)	Service Factor	FL Amps @ High	FL Eff (%)	"C" Dimension (in)	Voltage (V)	Notes
7.5	5.5	3600	182/4TC	007360P3EFP184TC-S	\$734	W1S	70	1.15	8.90	87.5	14.764	230/460	9;30
		3600	182/4TC	007360P3HFP184TC-S	\$734	W1S	70	1.15	7.10	87.5	14.764	575	9;30
		3600	182/4TC	007360P3VFP184TC-S	\$734	W1S	70	1.15	10.2	87.5	14.764	200/400	9;30
10	7.5	3600	213/5TC	010360P3EFP213TC-S	\$901	W1S	121	1.15	12.2	88.5	16.575	230/460	9;30;31;51
		3600	213/5TC	010360P3HFP213TC-S	\$901	W1S	121	1.15	9.80	88.5	16.575	575	9;30
15	11	3600	213/5TC	015360P3EFP215TC-S	\$1,283	W1S	135	1.15	17.5	89.5	16.969	230/460	9;30;31
		3600	213/5TC	015360P3VFP215TC-S	\$1,283	W1S	135	1.15	20.1	89.5	16.969	200/400	9;30;31
20	15	3600	254/6TC	020360P3EFP254TC-S	\$1,469	W1S	202	1.15	23.7	90.2	20.472	230/460	9;30;31
		3600	254/6TC	020360P3HFP254TC-S	\$1,469	W1S	202	1.15	19.0	90.2	20.472	575	9;30
		3600	254/6TC	020360P3VFP254TC-S	\$1,469	W1S	202	1.15	27.3	90.2	20.472	200/400	9;30;31
		3600	254TC	020360P3EFP254TC-W40	\$1,469	W1B	235	1.15	24.3	90.2	21.037	230/460	30
		3600	254TC	020360P3HFP254TC-W40	\$1,469	W1B	235	1.15	19.4	90.2	21.037	575	30;51
		3600	254TC	020360P3VFP254TC-W40	\$1,469	W1B	235	1.15	28.0	90.2	21.037	200/400	30;51
25	18.5	3600	254/6TC	025360P3EFP256TC-S	\$1,783	W1S	207	1.15	29.0	91.0	20.472	230/460	9;30
		3600	254/6TC	025360P3VFP256TC-S	\$1,783	W1S	207	1.15	33.3	91.0	20.472	200/400	9;30;31
		3600	254/6TC	025360P3EFP256TC-W40	\$1,783	W1B	252	1.15	29.7	91.0	22.785	230/460	30
		3600	254/6TC	025360P3VFP256TC-W40	\$1,783	W1B	252	1.15	34.2	91.0	22.785	200/400	30
30	22	3600	284TSC	030360P3EFP284TSC-W4	\$2,033	W1B	339	1.15	34.9	91.0	21.783	230/460	30
		3600	284TSC	030360P3VFP284TSC-W4	\$2,033	W1B	338	1.15	40.1	91.0	21.783	200/400	30
40	30	3600	284/6TSC	040360P3EFP286TSC-W4	\$2,757	W1B	373	1.15	47.2	91.7	23.283	230/460	30
		3600	284/6TSC	040360P3HFP286TSC-W4	\$2,757	W1B	372	1.15	37.8	91.7	23.283	575	30
		3600	284/6TSC	040360P3VFP286TSC-W4	\$2,757	W1B	384	1.15	54.3	91.7	23.283	200/400	30
		1800	324TC	040180P3EFP324TC-W40	\$2,752	W1B	495	1.15	48.2	93.0	25.807	230/460	30
50	37	3600	324TSC	050360P3EFP324TSC-W4	\$3,184	W1B	473	1.15	58.4	92.4	24.307	230/460	30
		3600	324TSC	050360P3VFP324TSC-W4	\$3,184	W1B	491	1.15	67.2	92.4	24.307	200/400	30
		1800	324/6TC	050180P3EFP326TC-W40	\$3,135	W1B	519	1.15	60.2	93.0	27.307	230/460	30
60	45	3600	324/6TSC	060360P3EFP326TSC-W4	\$4,448	W1B	501	1.15	70.6	93.0	25.807	230/460	30
75	55	1800	364/5TC	075180P3EFP365TC-W40	\$5,109	W1B	835	1.15	85.3	94.1	29.725	230/460	30
100	75	1800	404/5TC	100180P3EFP404TC-W40	\$6,510	W1B	970	1.15	116	94.1	34.100	230/460	30
		1800	404/5TC	100180P3HFP404TC-W40	\$6,510	W1B	967	1.15	92.8	94.1	34.100	575	30
		1800	404/5TC	100180P3VFP404TC-W40	\$6,510	W1B	969	1.15	133	94.1	34.100	200/400	30
125	90	1800	404/5TC	125180P3GFP405TC-W40	\$6,651	W1B	1060	1.15	139	94.5	34.100	460	30
		1800	404/5TC	125180P3HFP405TC-W40	\$6,651	W1B	1060	1.15	111	94.5	34.100	575	30;51

Pump Motors

Please refer to back cover for description of "NOTES"

For detailed specifications, data sheets, drawings and performance curves visit <http://www.weg.net>

Data subject to change without notice.

Can't find what you are looking for? Call 1-800-ASK-4WEG (275-4934)

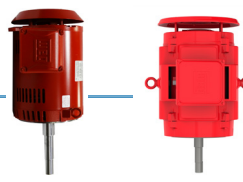
## FIRE PUMP MOTORS

### ODP – Three-Phase – JM – Footless Vertical



HP	kW	RPM	Frame	Catalog Number	List Price	Mult. Symbol	Approx. Shipping Weight (lbs)	Service Factor	FL Amps @ High	FL Eff (%)	"C" Dimension (in)	Voltage (V)	Notes
7.5	5.5	3600	182/4JM	007360P3EFP184JMV-S	\$993	P1S	83	1.15	8.90	87.5	17.600	230/460	9;15;30,51
		3600	182/4JM	007360P3HFP184JMV-S	\$993	P1S	83	1.15	7.10	87.5	17.600	575	9;15;30,51
		3600	182/4JM	007360P3VFP184JMV-S	\$993	P1S	83	1.15	10.2	87.5	17.600	200/400	9;15;30,51
10	7.5	3600	213/5JM	010360P3EFP213JMV-S	\$1,201	P1S	117	1.15	12.2	88.5	18.977	230/460	9;15;30,51
		3600	213/5JM	010360P3HFP213JMV-S	\$1,201	P1S	117	1.15	9.80	88.5	18.977	575	9;15;30,51
		3600	213/5JM	010360P3VFP213JMV-S	\$1,201	P1S	117	1.15	14.0	88.5	18.977	200/400	9;15;30,51
15	11	3600	213/5JM	015360P3EFP215JMV-S	\$1,617	P1S	132	1.15	17.5	89.5	19.370	230/460	9;15;30,51
		3600	213/5JM	015360P3HFP215JMV-S	\$1,617	P1S	132	1.15	14.0	89.5	19.370	575	9;15;30,51
		3600	213/5JM	015360P3VFP215JMV-S	\$1,617	P1S	132	1.15	20.1	89.5	19.370	200/400	9;15;30,51
20	15	3600	254/6JM	020360P3EFP254JMV-S	\$2,092	P1S	206	1.15	23.7	90.2	23.359	230/460	9;15;30,51
		3600	254/6JM	020360P3HFP254JMV-S	\$2,092	P1S	206	1.15	19.0	90.2	23.359	575	9;15;30,51
		3600	254/6JM	020360P3VFP254JMV-S	\$2,092	P1S	206	1.15	27.3	90.2	23.359	200/400	9;15;30,51
25	18.5	3600	254/6JM	025360P3EFP256JMV-S	\$2,352	P1S	211	1.15	29.0	91.0	23.359	230/460	9;15;30,51
		3600	254/6JM	025360P3HFP256JMV-S	\$2,352	P1S	211	1.15	23.2	91.0	23.359	575	9;15;30,51
		3600	254/6JM	025360P3VFP256JMV-S	\$2,352	P1S	211	1.15	33.3	91.0	23.359	200/400	9;15;30,51
30	22	3600	284JM	030360P3HFP284JMV*	\$3,181	P1C	368	1.15	27.6	91.0	26.584	575	15;30
		3600	284/6JM	030360P3EFP284JMV-W4	\$2,954	P1C	363	1.15	34.9	91.0	27.403	230/460	15;30,51
		3600	284/6JM	030360P3HFP284JMV-W4	\$3,181	P1C	363	1.15	27.9	91.0	27.403	575	15;30,51
		3600	284/6JM	030360P3VFP284JMV-W4	\$2,954	P1C	362	1.15	40.1	91.0	27.403	200/400	15;30,51
		1800	284/6JM	030180P3EFP286JMV-W4	\$3,175	P1C	435	1.15	35.6	92.4	27.403	230/460	15;30,51
		1800	284/6JM	030180P3HFP286JMV-W4	\$3,403	P1C	434	1.15	28.5	92.4	27.403	575	15;30,51
40	30	3600	284/6JM	040360P3EFP286JMV-W4	\$3,611	P1C	387	1.15	47.2	91.7	27.403	230/460	15;30,51
		3600	284/6JM	040360P3HFP286JMV-W4	\$3,611	P1C	386	1.15	37.8	91.7	27.403	575	15;30,51
		3600	284/6JM	040360P3VFP286JMV-W4	\$3,611	P1C	387	1.15	54.3	91.7	27.403	200/400	15;30,51
		1800	324/6JM	040180P3EFP324JMV-W4	\$3,621	P1C	502	1.15	48.2	93.0	29.427	230/460	15;30,51
		1800	324/6JM	040180P3HFP324JMV-W4	\$3,621	P1C	501	1.15	38.6	93.0	29.427	575	15;30,51
50	37	3600	324JM	050360P3HFP324JMV*	\$4,394	P1C	500	1.15	46.7	92.4	29.147	575	15;30
		3600	324/6JM	050360P3EFP324JMV-W4	\$4,394	P1C	492	1.15	58.4	92.4	29.427	230/460	15;30,51
		3600	324/6JM	050360P3HFP324JMV-W4	\$4,394	P1C	492	1.15	46.7	92.4	29.427	575	15;30,51
		3600	324/6JM	050360P3VFP324JMV-W4	\$4,664	P1C	492	1.15	67.2	92.4	29.427	200/400	15;30,51
		1800	324/6JM	050180P3EFP326JMV-W4	\$4,393	P1C	525	1.15	60.2	93.0	29.427	230/460	15;30,51
		1800	324/6JM	050180P3HFP326JMV-W4	\$4,527	P1C	523	1.15	48.2	93.0	29.427	575	15;30,51
60	45	3600	326JM	060360P3HFP326JMV*	\$5,305	P1C	555	1.15	56.5	93.0	30.643	575	15;30
		3600	324/6JM	060360P3EFP326JMV-W4	\$5,171	P1C	508	1.15	70.6	93.0	29.427	230/460	15;30,51
		3600	324/6JM	060360P3HFP326JMV-W4	\$5,305	P1C	507	1.15	56.5	93.0	29.427	575	15;30,51
		3600	324/6JM	060360P3VFP326JMV-W4	\$5,171	P1C	510	1.15	81.2	93.0	29.427	200/400	15;30,51

\* To be discontinued and replaced by W40 model once inventory is depleted.



### ODP – Three-Phase – JP – Footless Vertical

HP	kW	RPM	Frame	Catalog Number	List Price	Mult. Symbol	Approx. Shipping Weight (lbs)	Service Factor	FL Amps @ High	FL Eff (%)	“C” Dimension (in)	Voltage (V)	Notes
7.5	5.5	3600	182/4JP	007360P3EFP184JPV-S	\$993	P1S	83	1.15	8.90	87.5	20.671	230/460	9;15;30
		3600	182/4JP	007360P3HFP184JPV-S	\$993	P1S	83	1.15	7.10	87.5	20.671	575	9;15;30
		3600	182/4JP	007360P3VFP184JPV-S	\$993	P1S	83	1.15	10.2	87.5	20.671	200/400	9;15;30
		1800	213/5JP	007180P3EFP213JPV-S	\$1,028	P1S	127	1.15	9.30	88.5	22.835	230/460	9;15;30
		1800	213/5JP	007180P3HFP213JPV-S	\$1,028	P1S	127	1.15	7.40	88.5	22.835	575	9;15;30;51
10	7.5	3600	213/5JP	010360P3EFP213JPV-S	\$1,273	P1S	130	1.15	12.2	88.5	22.835	230/460	9;15;30
		3600	213/5JP	010360P3HFP213JPV-S	\$1,273	P1S	130	1.15	9.80	88.5	22.835	575	9;15;30
		3600	213/5JP	010360P3VFP213JPV-S	\$1,273	P1S	130	1.15	14.0	88.5	22.835	200/400	9;15;30
		1800	213/5JP	010180P3EFP215JPV-S	\$1,245	P1S	142	1.15	12.4	89.5	22.835	230/460	9;15;30
15	11	3600	213/5JP	015360P3EFP215JPV-S	\$1,617	P1S	144	1.15	17.5	89.5	23.229	230/460	9;15;30
		3600	213/5JP	015360P3HFP215JPV-S	\$1,617	P1S	144	1.15	14.0	89.5	23.229	575	9;15;30
		3600	213/5JP	015360P3VFP215JPV-S	\$1,617	P1S	144	1.15	20.1	89.5	23.229	200/400	9;15;30
		1800	254/6JP	015180P3EFP254JPV-S	\$1,847	P1S	203	1.15	18.5	91.0	26.233	230/460	9;15;30
		1800	254/6JP	015180P3VFP254JPV-S	\$1,847	P1S	203	1.15	21.3	91.0	26.233	200/400	9;15;30;51
20	15	3600	254/6JP	020360P3EFP254JPV-S	\$2,092	P1S	209	1.15	23.7	90.2	26.233	230/460	9;15;30
		3600	254/6JP	020360P3HFP254JPV-S	\$2,092	P1S	209	1.15	19.0	90.2	26.233	575	9;15;30
		3600	254/6JP	020360P3VFP254JPV-S	\$2,092	P1S	209	1.15	27.3	90.2	26.233	200/400	9;15;30
		1800	254/6JP	020180P3EFP256JPV-S	\$2,205	P1S	219	1.15	25.5	91.0	26.233	230/460	9;15;30;51
25	18.5	3600	254/6JP	025360P3EFP256JPV-S	\$2,518	P1S	214	1.15	29.0	91.0	26.233	230/460	9;15;30
		3600	254/6JP	025360P3HFP256JPV-S	\$2,518	P1S	214	1.15	23.2	91.0	26.233	575	9;15;30
		3600	254/6JP	025360P3VFP256JPV-S	\$2,518	P1S	214	1.15	33.3	91.0	26.233	200/400	9;15;30
		1800	284/6JP	025180P3EFP284JPV-W4	\$2,768	P1C	428	1.15	30.1	91.7	30.283	230/460	15;30
30	22	3600	284JP	030360P3EFP284JPV*	\$3,082	P1C	372	1.15	34.5	91.0	29.464	230/460	15;30
		3600	284JP	030360P3VFP284JPV*	\$3,082	P1C	372	1.15	39.7	91.0	29.464	200/400	15;30
		3600	284/6JP	030360P3EFP284JPV-W4	\$3,082	P1C	365	1.15	34.9	91.0	30.283	230/460	15;30
		3600	284/6JP	030360P3HFP284JPV-W4	\$3,181	P1C	364	1.15	27.9	91.0	30.283	575	15;30
		3600	284/6JP	030360P3VFP284JPV-W4	\$3,082	P1C	364	1.15	40.1	91.0	30.283	200/400	15;30
		1800	284/6JP	030180P3EFP286JPV-W4	\$3,224	P1C	437	1.15	35.6	92.4	30.283	230/460	15;30
		1800	284/6JP	030180P3VFP286JPV-W4	\$3,174	P1C	437	1.15	40.9	92.4	30.283	200/400	15;30
40	30	3600	286JP	040360P3EFP286JPV*	\$3,611	P1C	416	1.15	46.1	91.7	30.957	230/460	15;30
		3600	286JP	040360P3VFP286JPV*	\$3,611	P1C	416	1.15	53.0	91.7	30.957	200/400	15;30
		3600	284/6JP	040360P3EFP286JPV-W4	\$3,611	P1C	389	1.15	47.2	91.7	30.283	230/460	15;30
		3600	284/6JP	040360P3HFP286JPV-W4	\$3,499	P1C	388	1.15	37.8	91.7	30.283	575	15;30
		3600	284/6JP	040360P3VFP286JPV-W4	\$3,611	P1C	389	1.15	54.3	91.7	30.283	200/400	15;30
		1800	324JP	040180P3VFP324JPV*	\$3,987	P1C	509	1.15	56.8	93.0	32.027	200/400	15;30
		1800	324/6JP	040180P3EFP324JPV-W4	\$3,987	P1C	504	1.15	48.2	93.0	32.307	230/460	15;30
		1800	324/6JP	040180P3HFP324JPV-W4	\$3,621	P1C	502	1.15	38.6	93.0	32.307	575	15;30
		1800	324/6JP	040180P3VFP324JPV-W4	\$3,987	P1C	504	1.15	55.4	93.0	32.307	200/400	15;30

continued on next page

Please refer to back cover for description of “NOTES”

For detailed specifications, data sheets, drawings and performance curves visit <http://www.weg.net>

Data subject to change without notice.

## FIRE PUMP MOTORS

### ODP – Three-Phase – JP – Footless Vertical - *continued*

HP	kW	RPM	Frame	Catalog Number	List Price	Mult. Symbol	Approx. Shipping Weight (lbs)	Service Factor	FL Amps @ High	FL Eff (%)	"C" Dimension (in)	Voltage (V)	Notes
50	37	3600	324JP	<b>050360P3EFP324JPV*</b>	<b>\$4,372</b>	P1C	503	1.15	58.4	92.4	32.027	230/460	15;30
		3600	324JP	<b>050360P3HFP324JPV*</b>	<b>\$4,372</b>	P1C	506	1.15	46.7	92.4	32.027	575	15;30
		3600	324JP	<b>050360P3VFP324JPV*</b>	<b>\$4,372</b>	P1C	504	1.15	67.2	92.4	32.027	200/400	15;30
		3600	324/6JP	<b>050360P3EFP324JPV-W4</b>	<b>\$4,372</b>	P1C	494	1.15	58.4	92.4	32.307	230/460	15;30
		3600	324/6JP	<b>050360P3HFP324JPV-W4</b>	<b>\$4,372</b>	P1C	493	1.15	46.7	92.4	32.307	575	15;30
		3600	324/6JP	<b>050360P3VFP324JPV-W4</b>	<b>\$4,372</b>	P1C	494	1.15	67.2	92.4	32.307	200/400	15;30
		1800	324/6JP	<b>050180P3EFP326JPV-W4</b>	<b>\$4,500</b>	P1C	527	1.15	60.2	93.0	32.307	230/460	15;30
		1800	324/6JP	<b>050180P3HFP326JPV-W4</b>	<b>\$4,394</b>	P1C	525	1.15	48.2	93.0	32.307	575	15;30
		1800	324/6JP	<b>050180P3VFP326JPV-W4</b>	<b>\$4,500</b>	P1C	526	1.15	69.2	93.0	32.307	200/400	15;30
60	45	3600	326JP	<b>060360P3EFP326JPV*</b>	<b>\$5,105</b>	P1C	564	1.15	70.6	93.0	33.523	230/460	15;30
		3600	326JP	<b>060360P3HFP326JPV*</b>	<b>\$5,105</b>	P1C	558	1.15	56.5	93.0	33.523	575	15;30
		3600	326JP	<b>060360P3VFP326JPV*</b>	<b>\$5,105</b>	P1C	563	1.15	81.2	93.0	33.523	200/400	15;30
		3600	324/6JP	<b>060360P3EFP326JPV-W4</b>	<b>\$5,105</b>	P1C	510	1.15	70.6	93.0	32.307	230/460	15;30
		3600	324/6JP	<b>060360P3HFP326JPV-W4</b>	<b>\$5,105</b>	P1C	509	1.15	56.5	93.0	32.307	575	15;30
		3600	324/6JP	<b>060360P3VFP326JPV-W4</b>	<b>\$5,105</b>	P1C	511	1.15	81.2	93.0	32.307	200/400	15;30
		1800	364/5JP	<b>060180P3EFP364JPV-W4</b>	<b>\$6,142</b>	P1C	804	1.15	71.0	93.6	34.745	230/460	15;30
		1800	364/5JP	<b>060180P3VFP364JPV-W4</b>	<b>\$6,142</b>	P1C	804	1.15	81.7	93.6	34.745	200/400	15;30
75	55	3600	364/5JP	<b>075360P3EFP364JPV-W4</b>	<b>\$7,525</b>	P1C	804	1.15	85.3	93.0	34.745	230/460	15;30
		3600	364/5JP	<b>075360P3HFP364JPV-W4</b>	<b>\$7,525</b>	P1C	803	1.15	68.2	93.0	34.745	575	15;30
		3600	364/5JP	<b>075360P3VFP364JPV-W4</b>	<b>\$7,525</b>	P1C	806	1.15	98.1	93.0	34.745	200/400	15;30
		1800	364/5JP	<b>075180P3EFP365JPV*</b>	<b>\$6,967</b>	P1C	922	1.15	85.3	94.1	35.208	230/460	15;30
		1800	364/5JP	<b>075180P3EFP365JPV-W4</b>	<b>\$6,967</b>	P1C	885	1.15	85.3	94.1	34.745	230/460	15;30
		1800	364/5JP	<b>075180P3VFP365JPV-W4</b>	<b>\$6,967</b>	P1C	884	1.15	98.1	94.1	34.745	200/400	15;30
100	75	3600	364/5JP	<b>100360P3EFP365JPV-W4</b>	<b>\$8,860</b>	P1C	875	1.15	115	93.0	34.745	230/460	15;30
		3600	364/5JP	<b>100360P3HFP365JPV-W4</b>	<b>\$8,860</b>	P1C	871	1.15	92.0	93.0	34.745	575	15;30;51
		3600	364/5JP	<b>100360P3VFP365JPV-W4</b>	<b>\$8,860</b>	P1C	875	1.15	132	93.0	34.745	200/400	15;30
		1800	404/5JP	<b>100180P3EFP404JPV*</b>	<b>\$8,825</b>	P1C	992	1.15	118	94.1	38.452	230/460	15;30
		1800	404/5JP	<b>100180P3EFP404JPV-W4</b>	<b>\$8,825</b>	P1C	941	1.15	116	94.1	37.747	230/460	15;30
		1800	404/5JP	<b>100180P3VFP404JPV-W4</b>	<b>\$8,825</b>	P1C	939	1.15	133	94.1	37.747	200/400	15;30

\* To be discontinued and replaced by W40 model once inventory is depleted.





### W40 - ODP (50Hz) – Three-Phase – IE2

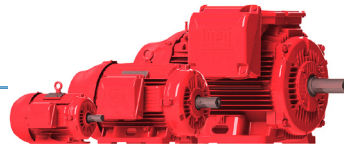
HP	kW	RPM	Frame	Catalog Number	List Price	Mult. Symbol	Approx. Shipping Weight (lbs)	Service Factor	FL Amps @ High	FL. Eff (%)	“C” Dimension (in)	Voltage (V)	Notes
20	15	3000	254/6T	<b>020300P30FP256T-W40</b>	<b>\$1,690</b>	W1B	284	1.15	26.0	90.2	22.285	380-415	30;32
		1500	254/6T	<b>020150P30FP256T-W40</b>	<b>\$1,831</b>	W1B	359	1.15	28.8	91.7	22.285	380-415	30;32
25	18.5	3000	254/6T	<b>025300P30FP256T-W40</b>	<b>\$2,051</b>	W1B	312	1.15	32.5	91.0	22.285	380-415	30;32
		1500	284TS	<b>025150P30FP284TS-W40</b>	<b>\$2,069</b>	W1B	401	1.15	34.2	91.7	21.783	380-415	30;32
30	22	3000	284TS	<b>030300P30FP284TS-W40</b>	<b>\$2,338</b>	W1B	382	1.15	40.0	91.0	21.783	380-415	30;32
		1500	284/6TS	<b>030150P30FP286TS-W40</b>	<b>\$2,425</b>	W1B	443	1.15	39.4	92.4	23.283	380-415	30;32
40	30	3000	284/6TS	<b>040300P30FP286TS-W40</b>	<b>\$3,171</b>	W1B	431	1.15	52.5	92.4	23.283	380-415	30;32
		1500	324TS	<b>040150P30FP324TS-W40</b>	<b>\$3,050</b>	W1B	531	1.15	55.4	93.0	25.807	380-415	30;32
50	37	3000	324TS	<b>050300P30FP324TS-W40</b>	<b>\$3,662</b>	W1B	510	1.15	66.3	92.4	25.807	380-415	30;32
		1500	324/6TS	<b>050150P30FP326TS-W40</b>	<b>\$3,588</b>	W1B	580	1.15	71.9	93.0	25.807	380-415	30;32
60	45	3000	324/6TS	<b>060300P30FP326TS-W40</b>	<b>\$4,610</b>	W1B	537	1.15	80.1	93.0	25.807	380-415	30;32
		1500	364/5TS	<b>060150P30FP365TS-W40</b>	<b>\$4,455</b>	W1B	802	1.15	83.6	93.6	27.520	380-415	30;32
75	55	3000	364/5TS	<b>075300P30FP365TS-W40</b>	<b>\$5,836</b>	W1B	840	1.15	96.8	93.0	27.520	380-415	30;32
		1500	364/5TS	<b>075150P30FP365TS-W40</b>	<b>\$5,423</b>	W1B	868	1.15	99.2	94.1	27.520	380-415	30;32
100	75	3000	364/5TS	<b>100300P30FP365TS-W40</b>	<b>\$7,075</b>	W1B	904	1.15	134	93.0	27.520	380-415	30;32
		1500	404/5TS	<b>100150P30FP405TS-W40</b>	<b>\$6,975</b>	W1B	1118	1.15	135	94.1	31.100	380-415	30;32
125	90	3000	404/5TS	<b>125300P30FP405TS-W40</b>	<b>\$8,927</b>	W1B	1109	1.15	157	93.6	31.100	380-415	30;32
		1500	444/5TS	<b>125150P30FP445TS-W40</b>	<b>\$9,336</b>	W1B	1396	1.15	160	94.5	34.575	380-415	30;32
150	110	3000	444/5TS	<b>150300P30FP445TS-W40</b>	<b>\$13,422</b>	W1B	1411	1.15	195	93.6	34.575	380-415	30;32
		1500	444/5TS	<b>150150P30FP445TS-W40</b>	<b>\$10,225</b>	W1B	1511	1.15	199	95.0	34.575	380-415	30;32
200	150	3000	444/5TS	<b>200300P30FP445TS-W40</b>	<b>\$14,700</b>	W1B	1552	1.15	258	95.0	34.575	380-415	30;32
		1500	447/9TS	<b>200150P30FP449TS-W40</b>	<b>\$15,362</b>	W1B	2270	1.15	262	95.0	42.959	380-415	30;32
250	185	3000	444/5TS	<b>250300P30FP445TS-W40</b>	<b>\$18,003</b>	W1B	1635	1.15	319	95.0	34.575	380-415	30;32
		1500	447/9TS	<b>250150P30FP449TS-W40</b>	<b>\$20,127</b>	W1B	2459	1.15	321	95.4	42.959	380-415	30;32
300	220	3000	447/9TS	<b>300300P30FP449TS-W40</b>	<b>\$23,464</b>	W1B	2261	1.15	384	95.0	42.959	380-415	30;32
		1500	5010/11TS	<b>300150P30FP5011TS-W4</b>	<b>\$22,044</b>	W1B	2778	1.15	387	95.4	56.992	380-415	30;32;51
350	260	3000	447/9TS	<b>350300P30FP449TS-W40</b>	<b>\$25,697</b>	W1B	2369	1.15	453	95.0	42.959	380-415	30;32
		1500	5010/11TS	<b>350150P30FP5011TS-W4</b>	<b>\$29,804</b>	W1B	4318	1.15	446	95.4	56.992	380-415	30;32
400	300	3000	447/9TS	<b>400300P30FP449TS-W40</b>	<b>\$27,761</b>	W1B	2596	1.15	509	95.4	42.959	380-415	30;32
		1500	5010/11TS	<b>400150P30FP5011TS-W4</b>	<b>\$32,521</b>	W1B	4481	1.15	509	95.4	56.992	380-415	30;32

Please refer to back cover for description of “NOTES”

For detailed specifications, data sheets, drawings and performance curves visit <http://www.weg.net>

Data subject to change without notice.

Can't find what you are looking for? Call 1-800-ASK-4WEG (275-4934)



## FIRE PUMP MOTORS

### TEFC (50Hz) – Three-Phase – IE2

HP	kW	RPM	Frame	Catalog Number	List Price	Mult. Symbol	Approx. Shipping Weight (lbs)	Service Factor	FL Amps @ High	FL Eff (%)	“C” Dimension (in)	Voltage (V)	Notes
15	11	3000	254/6T	01530EP30FP254T-W22	\$1,788	W1	266	1.15	19.3	90.2	24.945	380-415	30;32
		1500	254/6T	01515EP30FP254T-W22	\$1,811	W1	298	1.15	20.1	91.0	24.945	380-415	30;32
20	15	3000	254/6T	02030EP30FP256T-W22	\$2,334	W1	306	1.15	26.3	90.2	24.945	380-415	30;32
		1500	254/6T	02015EP30FP256T-W22	\$2,157	W1	347	1.15	27.7	90.9	24.945	380-415	30;32
25	18.5	3000	284/6TS	02530EP30FP284TS-W22	\$2,938	W1	368	1.15	31.3	92.4	26.557	380-415	30
		1500	284/6TS	02515EP30FP284TS-W22	\$2,688	W1	395	1.15	33.1	92.4	26.557	380-415	30;32
30	22	3000	284/6TS	03030EP30FP286TS-W22	\$3,490	W1	428	1.15	37.6	91.5	26.557	380-415	30
		1500	284/6TS	03015EP30FP286TS-W22	\$3,159	W1	447	1.15	40.0	92.1	26.557	380-415	30;32
40	30	3000	324/6TS	04030EP30FP324TS-W22	\$4,489	W1	568	1.15	50.3	92.5	29.616	380-415	30;32,51
		1500	324/6TS	04015EP30FP324TS-W22	\$3,969	W1	532	1.15	54.2	92.5	29.616	380-415	30;32
50	37	3000	324/6TS	05030EP30FP326TS-W22	\$5,050	W1	592	1.15	63.0	92.8	29.616	380-415	30,51
		1500	324/6TS	05015EP30FP326TS-W22	\$4,845	W1	567	1.15	66.2	93.0	29.616	380-415	30
60	45	3000	364/5TS	06030EP30FP364TS-W22	\$7,174	W1	927	1.15	74.2	93.0	32.276	380-415	30
		1500	364/5TS	06015EP30FP364TS-W22	\$7,020	W1	1029	1.15	77.6	93.8	32.276	380-415	30
75	55	3000	364/5TS	07530EP30FP365TS-W22	\$8,636	W1	983	1.15	92.0	93.5	32.276	380-415	30
		1500	364/5TS	07515EP30FP365TS-W22	\$8,270	W1	1050	1.15	95.3	94.5	32.276	380-415	30,51
100	75	3000	404/5TS	10030EP30FP405TS-W22	\$11,402	W1	1192	1.15	125	94.0	36.732	380-415	30
		1500	404/5TS	10015EP30FP405TS-W22	\$11,105	W1	1266	1.15	124	94.5	36.732	380-415	30,51
125	90	3000	444/5TS	12530EP30FP444TS-W22	\$14,583	W1	1664	1.15	156	94.5	41.200	380-415	30;32
		1500	444/5TS	12515EP30FP444TS-W22	\$14,011	W1	1686	1.15	158	94.6	41.200	380-415	30;32
150	110	3000	444/5TS	15030EP30FP445TS-W22	\$17,938	W1	1801	1.15	185	95.0	41.200	380-415	30;32
		1500	444/5TS	15015EP30FP445TS-W22	\$16,549	W1	1874	1.15	190	94.6	41.200	380-415	30,51
200	150	3000	445/7TS	20030EP30FP447TS-W22	\$22,384	W1	2242	1.15	236	95.2	44.951	380-415	30
		1500	445/7TS	20015EP30FP447TS-W22	\$20,043	W1	2107	1.15	264	95.3	44.951	380-415	30,51
250	185	3000	447/9TS	25030EP30FP449TS-W22	\$31,514	W1	2739	1.15	293	95.6	52.588	380-415	30
		1500	447/9TS	25015EP30FP449TS-W22	\$25,463	W1	2883	1.15	313	95.5	52.588	380-415	30
300	220	3000	447/9TS	30030EP30FP449TS-W22	\$36,356	W1	3141	1.15	351	95.7	52.588	380-415	30;32,51
		1500	L447/9TS	30015EP30FP449TS-W22	\$29,815	W1	3345	1.15	376	95.8	53.425	380-415	30;32,51

# Pump Motors

## P-BASE MOTORS

### TEFC - Three Phase - NEMA Premium®

HP and HPH types available. Suitable for dusty and moist environments providing high starting torque.

#### Standard Features:

- 50/60 Hz capable
- Class F insulation (Impregnation Resin and magnet Wire are class H)
- Stainless Steel Nameplate - Laser etched with high contrast background
- Regreasable ball bearings (Frames 254HP and up)
- Gasketed conduit box
- Class I, Div. 2, Groups A, B, C & D – T3, Class II, Div 2, Groups F & G – T3C

#### Inverter Rated:

**1000:1 for variable torque**



#### Features that make a difference:

- 1.25 Service Factor up to 100 HP
- NPT Threaded terminal box
- HP and HPH types available
- NPT Threaded terminal box



## P-BASE MOTORS

### TEFC – Three-Phase – NEMA Premium®

HP	kW	RPM	Frame	Catalog Number	List Price	Mult. Symbol	Approx. Shipping Weight (lbs)	Service Factor	FL Amps @ High	FL. Eff (%)	"C" Dimension (in)	Voltage (V)	Notes
1	0.75	1800	143HP	<a href="#">00118ET3E143HP-W22</a>	\$619	P1F	54	1.25	1.43	85.5	14.199	230/460	15,51
1.5	1.1	3600	L143HP	<a href="#">00156ET3E143HP-W22</a>	\$573	P1F	40	1.25	1.98	84.0	16.255	230/460	15
		1800	145HP	<a href="#">00158ET3E145HP-W22</a>	\$663	P1F	62	1.25	2.00	86.5	15.175	230/460	15,39
2	1.5	3600	145HP	<a href="#">00236ET3E145HP-W22</a>	\$581	P1F	51	1.25	2.65	85.5	15.175	230/460	15
		1800	145HP	<a href="#">00218ET3E145HP-W22</a>	\$730	P1F	63	1.25	2.72	86.5	15.175	230/460	15
3	2.2	3600	L145HP	<a href="#">00336ET3E145HP-W22</a>	\$863	P1F	74	1.25	3.71	86.5	17.2	230/460	15
		3600	182HP	<a href="#">00336ET3E182HP-W22</a>	\$925	P1F	88	1.25	3.68	86.5	16.841	230/460	15
		1800	182HP	<a href="#">00318ET3E182HP-W22</a>	\$923	P1F	108	1.25	3.90	89.5	16.841	230/460	15,39
5	3.7	3600	184HP	<a href="#">00536ET3E184HP-W22</a>	\$1,084	P1F	113	1.25	5.96	88.5	17.9	230/460	15
		1800	184HP	<a href="#">00518ET3E184HP-W22</a>	\$1,045	P1F	117	1.25	6.40	89.5	17.9	230/460	15
7.5	5.5	3600	L184HP	<a href="#">00736ET3E184HP-W22</a>	\$1,331	P1F	149	1.25	8.76	89.5	19.2	230/460	15
		3600	213HP	<a href="#">00736ET3E213HP-W22</a>	\$1,440	P1F	139	1.25	8.57	89.5	19.850	230/460	15,51
		1800	213HP	<a href="#">00718ET3E213HP-W22</a>	\$1,371	P1F	180	1.25	9.29	91.7	19.850	230/460	15
10	7.5	3600	215HP	<a href="#">01036ET3E215HP-W22</a>	\$1,727	P1F	193	1.25	11.5	90.2	21.346	230/460	15
		1800	215HP	<a href="#">01018ET3E215HP-W22</a>	\$1,641	P1F	201	1.25	12.6	91.7	21.346	230/460	15
15	11	3600	215HP	<a href="#">01536ET3E215HP-W22</a>	\$2,240	P1F	227	1.25	17.0	91.0	21.346	230/460	15
		3600	254HP	<a href="#">01536ET3E254HP-W22</a>	\$2,462	P1F	253	1.25	17.2	91.0	25.573	230/460	15
		1800	254HP	<a href="#">01518ET3E254HP-W22</a>	\$2,463	P1F	364	1.25	18.0	92.4	25.573	230/460	15
20	15	3600	254HP	<a href="#">02036ET3E254HP-W22</a>	\$2,738	P1F	341	1.25	23.2	91.0	25.573	230/460	15
		3600	256HP	<a href="#">02036ET3E256HP-W22</a>	\$2,955	P1F	351	1.25	23.2	91.0	27.305	230/460	15
		1800	256HP	<a href="#">02018ET3E256HP-W22</a>	\$2,721	P1F	308	1.25	24.4	93.0	27.305	230/460	15
25	18.5	3600	256HP	<a href="#">02536ET3E256HP-W22</a>	\$3,336	P1F	417	1.00	28.1	91.7	27.305	230/460	15
		3600	284HP	<a href="#">02536ET3E284HP-W22</a>	\$3,627	P1F	361	1.25	28.5	91.7	28.594	230/460	15
		3600	284HPH	<a href="#">02536ET3E284HPH-W22</a>	\$3,627	P1F	535	1.25	28.5	91.7	30.344	230/460	15
		1800	284HP	<a href="#">02518ET3E284HP-W22</a>	\$3,624	P1F	450	1.25	29.5	93.6	28.594	230/460	15
		1800	284HPH	<a href="#">02518ET3E284HPH-W22</a>	\$3,624	P1F	484	1.25	29.5	93.6	30.344	230/460	15
30	22	3600	286HP	<a href="#">03036ET3E286HP-W22</a>	\$4,365	P1F	392	1.25	33.8	91.7	30.089	230/460	15
		3600	286HPH	<a href="#">03036ET3E286HPH-W22</a>	\$4,365	P1F	576	1.25	33.8	91.7	31.839	230/460	15,51
		1800	286HP	<a href="#">03018ET3E286HP-W22</a>	\$3,967	P1F	436	1.25	35.1	93.6	30.089	230/460	15
		1800	286HPH	<a href="#">03018ET3E286HPH-W22</a>	\$3,967	P1F	610	1.25	35.1	93.6	31.839	230/460	15
40	30	3600	324HP	<a href="#">04036ET3E324HP-W22</a>	\$5,457	P1F	546	1.25	46.7	92.4	33.037	230/460	15
		1800	324HP	<a href="#">04018ET3E324HP-W22</a>	\$5,247	P1F	634	1.25	47.1	94.1	33.037	230/460	15
50	37	3600	326HP	<a href="#">05036ET3E326HP-W22</a>	\$6,681	P1F	583	1.25	56.1	93.0	34.531	230/460	15,51
		1800	326HP	<a href="#">05018ET3E326HP-W22</a>	\$6,009	P1F	668	1.25	60.6	94.5	34.531	230/460	15
60	45	3600	326HP	<a href="#">06036ET3E326HP-W22</a>	\$8,632	P1F	658	1.15	68.6	93.6	34.531	230/460	15
		3600	364/5HP	<a href="#">06036ET3E364HP-W22</a>	\$9,484	P1F	823	1.25	68.2	94.1	37.940	230/460	15
		1800	364/5HP	<a href="#">06018ET3E364HP-W22</a>	\$8,525	P1F	1100	1.25	68.4	95.0	37.940	230/460	15
75	55	3600	364/5HP	<a href="#">07536ET3E365HP-W22</a>	\$10,977	P1F	845	1.25	81.9	93.6	37.940	230/460	15
		1800	364/5HP	<a href="#">07518ET3E365HP-W22</a>	\$9,352	P1F	1114	1.25	82.3	95.4	37.940	230/460	15

continued on next page

### TEFC – Three-Phase – NEMA Premium® - continued

HP	kW	RPM	Frame	Catalog Number	List Price	Mult. Symbol	Approx. Shipping Weight (lbs)	Service Factor	FL Amps @ High	FL. Eff (%)	“C” Dimension (in)	Voltage (V)	Notes
100	75	3600	404/5HP	<a href="#">10036ET3E405HP-W22</a>	<b>\$12,908</b>	P1F	1043	1.25	112	94.1	41.340	230/460	15
		3600	404/5HPH	<a href="#">10036ET3E405HPH-W22</a>	<b>\$12,908</b>	P1F	1227	1.25	112	94.1	41.340	230/460	15;51
		3600	404/5HP	<a href="#">10036ET3G405HP-W22</a>	<b>\$12,908</b>	P1F	1486	1.25	112	94.1	41.340	460	15;51
		3600	404/5HPH	<a href="#">10036ET3G405HPH-W22</a>	<b>\$12,908</b>	P1F	1592	1.25	112	94.1	41.340	460	15
		1800	404/5HP	<a href="#">10018ET3E405HP-W22</a>	<b>\$11,222</b>	P1F	1138	1.25	112	95.4	41.340	230/460	15
		1800	404/5HPH	<a href="#">10018ET3E405HPH-W22</a>	<b>\$11,222</b>	P1F	1604	1.25	112	95.4	41.340	230/460	15
		1800	404/5HP	<a href="#">10018ET3G405HP-W22</a>	<b>\$11,222</b>	P1F	1475	1.25	112	95.4	41.340	460	15
		1800	404/5HPH	<a href="#">10018ET3G405HPH-W22</a>	<b>\$11,222</b>	P1F	1475	1.25	112	95.4	41.340	460	15
125	90	3600	444/5HP	<a href="#">12536ET3G444HP-W22</a>	<b>\$17,969</b>	P1F	2146	1.15	134	95.0	44.854	460	15
		1800	444/5HP	<a href="#">12518ET3G444HP-W22</a>	<b>\$15,687</b>	P1F	2060	1.15	142	95.4	44.854	460	15
150	110	3600	444/5HP	<a href="#">15036ET3G445HP-W22</a>	<b>\$20,517</b>	P1F	2275	1.15	163	95.0	44.854	460	15
		1800	444/5HP	<a href="#">15018ET3G445HP-W22</a>	<b>\$17,845</b>	P1F	2262	1.15	193	95.0	44.854	460	15

Please refer to back cover for description of “NOTES”

For detailed specifications, data sheets, drawings and performance curves visit <http://www.weg.net>

Data subject to change without notice.

Can't find what you are looking for? Call 1-800-ASK-4WEG (275-4934)

## TRU-METRIC™

TEFC – Foot Mount .....	A-248
TEFC – Foot Mount - FF-Face .....	A-251

## ATEX MOTORS

TEFC – Ex ec .....	A-253
TEFC – db – IE3 .....	A-258



# IEC Tru-Metric™ Motors

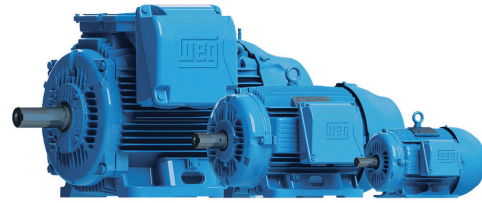
## GENERAL PURPOSE MOTORS

### TEFC - Three-Phase

This line is designed and built according to IEC Standards 60034 and 60072.

#### Standard Features:

- 60 Hz (1.25 Service Factor up to 200HP) and 50 Hz (1.0 Service Factor)
- Class F insulation (Impregnation Resin and Magnet wire are class H)
- F2 mounted as standard (F1 convertible)
- Stainless Steel Nameplate - Laser etched with high contrast background
- Regreasable ball bearings (Frames 160 and up)
- Gasketed conduit box
- Class I, Div. 2, Groups A, B, C & D – T3, Class II, Div 2, Groups F & G – T3C (Cast Iron Frames only)
- Suitable for WYE/Delta Start (W and Y voltage code motors)
- 660-690V; Sine Wave Only and with Nameplate Mod



W22 Cast Iron



Aluminum

#### Features that make a difference:

- 1.25 Service Factor for 60 Hz operation (IE3) up to 200 hp
- 1.00 Service Factor for 50 Hz operation (IE3)
- Optimized ventilation system for cooler operation and reduced noise levels
- Solid base for reduced vibration levels (Cast Iron Frames)
- Frames 225 and up can easily be F1 (B3L) converted by simply rotating the terminal box adapter or F3 by removing it
- Aluminum frames have removable feet for easy F1, F2 and F3 (B3L, B3R, B3T) conversion
- Terminal blocks

**Inverter Rated (IE3):**  
**1000:1 for variable torque**  
**12:1 for constant torque**

*\* 460V and below only*



Please refer to back cover for description of "NOTES"

For detailed specifications, data sheets, drawings and performance curves visit <http://www.weg.net>

Data subject to change without notice.

Can't find what you are looking for? Call 1-800-ASK-4WEG (275-4934)

**A-247**



### TEFC – Foot Mount

HP	kW	RPM	Frame	Catalog Number	List Price	Mult. Symbol	Approx. Shipping Weight (lbs)	Service Factor	FL Amps @ High	FL Eff (%)	"C" Dimension (in)	Voltage (V)	Notes
0.25	0.18	3600//3000	63	.1836EP3EAL63-W22	\$280	T1	14	1.15	0.48	68.0	8.504	230/460//190/380	2;7
		1800//1500	63	.1818EP3EAL63-W22	\$267	T1	16	1.15	0.51	69.0	8.504	230/460//190/380	2;7
		1200//1000	71	.1812EP3EAL71-W22	\$338	T1	22	1.15	0.77	61.0	9.764	230/460//190/380	2;7
		900//750	80	.1809EP3EAL80-W22	\$540	T1	30	1.25	0.80	50.5	10.866	230/460//190/380	2;7
		900//750	80	.1809EP3WAL80-W22	\$540	T1	28	1.15	0.80	50.5	10.866	460//220-240/380-415	2;7
0.33	0.25	3600//3000	63	.2536EP3EAL63-W22	\$286	T1	16	1.15	0.62	70.0	8.504	230/460//190/380	2;7
		1800//1500	71	.2518EP3EAL71-W22	\$282	T1	24	1.15	0.68	73.0	9.764	230/460//190/380	2;7
		1200//1000	71	.2512EP3EAL71-W22	\$363	T1	24	1.15	1.00	64.0	9.764	230/460//190/380	2;7
		900//750	80	.2509EP3EAL80-W22	\$583	T1	29	1.15	0.87	57.5	10.866	230/460//190/380	2;7
		900//750	80	.2509EP3WAL80-W22	\$583	T1	32	1.15	0.87	57.5	10.866	460//220-240/380-415	2;7
0.5	0.37	3600//3000	71	.3736EP3EAL71-W22	\$309	T1	22	1.15	0.83	73.0	9.764	230/460//190/380	2;7
		1800//1500	71	.3718EP3EAL71-W22	\$290	T1	24	1.15	1.06	73.0	9.764	230/460//190/380	2;7
		1200//1000	80	.3712EP3EAL80-W22	\$378	T1	27	1.15	1.07	64.0	10.866	230/460//190/380	2;7
		900//750	90S/L	.3709EP3EAL90S-W22	\$662	T1	40	1.15	1.35	61.5	12.953	230/460//190/380	2;7
		900//750	90S/L	.3709EP3WAL90S/L-W22	\$662	T1	40	1.15	1.35	61.5	12.953	460//220-240/380-415	2;7
0.75	0.55	3600//3000	71	.5536EP3EAL71-W22	\$316	T1	23	1.15	1.14	76.0	9.764	230/460//190/380	2;7
		1800//1500	80	.5518EP3EAL80-W22	\$333	T1	28	1.15	1.25	77.0	10.866	230/460//190/380	2;7
		1200//1000	80	.5512EP3EAL80-W22	\$405	T1	32	1.15	1.63	66.0	10.866	230/460//190/380	2;7
		900//750	90S/L	.5509EP3EAL90L-W22	\$696	T1	46	1.15	2.12	62.5	12.953	230/460//190/380	2;7
		900//750	90S/L	.5509EP3WAL90S/L-W22	\$696	T1	58	1.15	2.12	62.5	12.953	460//220-240/380-415	2;7
1	0.75	3600//3000	80	.7536ET3WAL80-W22	\$397	T1	27	1.25	1.43	81.5	10.866	460//220-240/380-415	2;7
		1800//1500	90S/L	.7518ET3EAL90S/L-W22	\$420	T1	42	1.25	1.47	85.5	12.953	230/460//190/380	2;7
		1800//1500	90S/L	.7518ET3WAL90S/L-W22	\$420	T1	43	1.25	1.47	85.5	12.953	460//220-240/380-415	2;7
		1200//1000	90S/L	.7512ET3EAL90S-W22	\$537	T1	47	1.25	1.68	82.5	12.953	230/460//190/380	2;7
		1200//1000	90S/L	.7512ET3WAL90S-W22	\$537	T1	51	1.25	1.68	82.5	12.953	460//220-240/380-415	2;7
		900//750	100L	.7509ET3EAL100L-W22	\$869	T1	68	1.25	2.11	75.5	14.803	230/460//190/380	2;7
1.5	1.1	3600//3000	80	.00136ET3EAL80-W22	\$444	T1	29	1.25	2.03	84.0	10.866	230/460//190/380	2;7
		3600//3000	80	.00136ET3WAL80-W22	\$444	T1	30	1.25	2.03	84.0	10.866	460//220-240/380-415	2;7
		1800//1500	90S/L	.00118ET3EAL90S-W22	\$470	T1	44	1.25	2.05	86.5	12.953	230/460//190/380	2;7
		1800//1500	90S/L	.00118ET3WAL90S-W22	\$470	T1	44	1.25	2.05	86.5	12.953	460//220-240/380-415	2;7
		1200//1000	100L	.00112ET3EAL100L-W22	\$746	T1	80	1.00	2.32	87.5	14.803	230/460//190/380	2;7
2	1.5	3600//3000	90S/L	.00156ET3EAL90S-W22	\$504	T1	44	1.25	2.69	85.5	12.953	230/460//190/380	2;7
		3600//3000	90S/L	.00156ET3WAL90S-W22	\$504	T1	44	1.25	2.69	85.5	12.953	460//220-240/380-415	2;7
		1800//1500	90S/L	.00158ET3EAL90L-W22	\$524	T1	49	1.25	2.79	86.5	12.953	230/460//190/380	2;7
		1800//1500	90S/L	.00158ET3WAL90L-W22	\$524	T1	49	1.25	2.79	86.5	12.953	460//220-240/380-415	2;7
		1200//1000	100L	.00152ET3WAL100L-W22	\$812	T1	76	1.25	3.13	88.5	16.535	460//220-240/380-415	2;7
		1200//1000	112M	.00152ET3EAL112M-W22	\$923	T1	93	1.25	3.08	88.5	15.472	230/460//190/380	2;7;51
		1200//1000	112M	.00152ET3WAL112M-W22	\$923	T1	93	1.25	3.08	88.5	15.472	460//220-240/380-415	2;7;51
		900//750	112M	.00159ET3YAL112M-W22	\$1,001	T1	90	1.25	3.50	84.0	15.472	460//380-415/660-690	2;7
3	2.2	3600//3000	90S/L	.00236ET3EAL90L-W22	\$756	T1	50	1.25	3.85	86.5	12.953	230/460//190/380	2;7
		3600//3000	90S/L	.00236ET3WAL90L-W22	\$756	T1	49	1.25	3.85	86.5	12.953	460//220-240/380-415	2;7
		1800//1500	100L	.00218ET3EAL100L-W22	\$630	T1	66	1.25	4.11	89.5	14.803	230/460//190/380	2;7
		1800//1500	100L	.00218ET3WAL100L-W22	\$630	T1	66	1.25	4.11	89.5	14.803	460//220-240/380-415	2;7
		1200//1000	132S	.00212ET3EAL132S-W22	\$1,166	T1	131	1.25	4.41	89.5	19.291	230/460//190/380	2;7
		1200//1000	132S	.00212ET3YAL132S-W22	\$1,166	T1	136	1.25	4.41	89.5	19.291	460//380-415/660-690	2;7
		900//750	132S	.00209ET3YAL132S-W22	\$1,412	T1	145	1.25	4.75	85.5	19.291	460//380-415/660-690	2;7

continued on next page

Please refer to back cover for description of "NOTES"

For detailed specifications, data sheets, drawings and performance curves visit <http://www.weg.net>





TEFC – Foot Mount - continued

HP	kW	RPM	Frame	Catalog Number	List Price	Mult. Symbol	Approx. Shipping Weight (lbs)	Service Factor	FL Amps @ High	FL Eff (%)	"C" Dimension (in)	Voltage (V)	Notes
4	3	3600/3000	100L	00336ET3EAL100L-W22	\$805	T1	65	1.25	5.01	88.5	14.803	230/460//190/380	2,7
		3600/3000	100L	00336ET3WAL100L-W22	\$805	T1	65	1.25	5.01	88.5	14.803	460//220-240/380-415	2,7
		1800/1500	100L	00318ET3EAL100L-W22	\$672	T1	77	1.25	5.33	89.5	14.803	230/460//190/380	2,7
		1800/1500	100L	00318ET3WAL100L-W22	\$672	T1	77	1.25	5.33	89.5	14.803	460//220-240/380-415	2,7
		1200/1000	132M	00312ET3EAL132M-W22	\$1,247	T1	137	1.25	6.01	89.5	19.291	230/460//190/380	2,7
		1200/1000	132M	00312ET3YAL132M-W22	\$1,247	T1	147	1.25	6.01	89.5	19.291	460//380-415/660-690	2,7
		900/750	132M	00309ET3EAL132M-W22	\$1,610	T1	193	1.25	6.29	85.5	19.291	230/460//190/380	2,7
		900/750	132M	00309ET3YAL132M-W22	\$1,610	T1	156	1.25	6.29	85.5	19.291	460//380-415/660-690	2,7
5.5	4	3600/3000	112M	00436ET3EAL112M-W22	\$874	T1	86	1.25	6.67	88.5	15.472	230/460//190/380	2,7
		3600/3000	112M	00436ET3YAL112M-W22	\$874	T1	86	1.25	6.67	88.5	15.472	460//380-415/660-690	2,7
		1800/1500	112M	00418ET3EAL112M-W22	\$679	T1	93	1.25	7.28	89.5	15.472	230/460//190/380	2,7
		1800/1500	112M	00418ET3YAL112M-W22	\$679	T1	93	1.25	7.28	89.5	15.472	460//380-415/660-690	2,7
		1200/1000	132M	00412ET3EAL132M-W22	\$1,254	T1	147	1.25	7.90	89.5	19.291	230/460//190/380	2,7
		1200/1000	132M	00412ET3YAL132M-W22	\$1,254	T1	147	1.25	7.90	89.5	19.291	460//380-415/660-690	2,7
		900/750	160M	00409ET3Y160M-W22	\$1,947	T1	299	1.25	8.17	86.5	23.543	460//380-415/660-690	7
7.5	5.5	3600/3000	132S	00536ET3EAL132S-W22	\$1,144	T1	136	1.25	8.97	89.5	19.291	230/460//190/380	2,7
		3600/3000	132S	00536ET3YAL132S-W22	\$1,144	T1	136	1.25	8.97	89.5	19.291	460//380-415/660-690	2,7
		1800/1500	132S	00518ET3EAL132S-W22	\$932	T1	142	1.25	9.07	91.7	19.291	230/460//190/380	2,7
		1800/1500	132S	00518ET3YAL132S-W22	\$932	T1	142	1.25	9.07	91.7	19.291	460//380-415/660-690	2,7
		1800/1500	132S	00518ET3Y132S-W22	\$953	T1	161	1.25	9.07	91.7	19.291	460//380-415	7
		1200/1000	132M/L	00512ET3Y132M/L-W22	\$1,760	T1	206	1.25	10.8	91.0	20.276	460//380-415/660-690	7
		900/750	160M	00509ET3Y160M-W22	\$2,244	T1	306	1.25	11.1	87.5	23.543	460//380-415/660-690	7
10	7.5	3600/3000	132S	00736ET3EAL132S-W22	\$1,292	T1	148	1.25	12.3	90.2	19.291	230/460//190/380	2,7
		3600/3000	132S	00736ET3YAL132S-W22	\$1,292	T1	147	1.25	12.3	90.2	19.291	460//380-415/660-690	2,7
		1800/1500	132M	00718ET3EAL132M-W22	\$1,110	T1	159	1.25	12.2	91.7	19.291	230/460//190/380	2,7
		1800/1500	132M	00718ET3YAL132M-W22	\$1,110	T1	159	1.25	12.2	91.7	19.291	460//380-415/660-690	2,7
		1200/1000	160M	00712ET3Y160M-W22	\$2,306	T1	306	1.25	13.1	91.0	23.543	460//380-415/660-690	7
		900/750	160L	00709ET3Y160L-W22	\$2,774	T1	352	1.25	15.2	88.5	25.276	460//380-415/660-690	7
15	11	3600/3000	160M	01136ET3Y160M-W22	\$2,102	T1	304	1.25	17.9	91.7	23.543	460//380-415/660-690	7
		1800/1500	160M	01118ET3Y160M-W22	\$1,726	T1	321	1.25	18.2	92.4	23.543	460//380-415/660-690	7
		1200/1000	160L	01112ET3Y160L-W22	\$3,160	T1	354	1.25	18.8	91.7	25.276	460//380-415/660-690	7
		900/750	180L	01109ET3Y180L-W22	\$4,031	T1	419	1.25	19.5	89.5	27.638	460//380-415/660-690	7
20	15	3600/3000	160M	01536ET3Y160M-W22	\$2,413	T1	320	1.25	24.4	91.7	23.543	460//380-415/660-690	7
		1800/1500	160L	01518ET3Y160L-W22	\$2,118	T1	375	1.25	25.0	93.0	25.276	460//380-415/660-690	7
		1200/1000	180L	01512ET3Y180L-W22	\$3,884	T1	447	1.25	24.7	91.7	27.638	460//380-415/660-690	7
		900/750	200L	01509ET3Y200L-W22	\$5,158	T1	517	1.25	28.0	91.0	30.197	460//380-415/660-690	7
25	18.5	3600/3000	160L	01836ET3Y160L-W22	\$2,925	T1	353	1.25	29.9	92.4	25.276	460//380-415/660-690	7
		1800/1500	180M	01818ET3Y180M-W22	\$2,689	T1	436	1.25	30.6	93.6	26.142	460//380-415/660-690	7
		1200/1000	200L	01812ET3Y200L-W22	\$4,886	T1	552	1.25	30.8	93.0	30.197	460//380-415/660-690	7
30	22	900/750	225S/M	01809ET3Y225S/M-W22	\$5,902	T1	830	1.25	31.6	93.0	34.882	460//380-415/660-690	7
		3600/3000	180M	02236ET3Y180M-W22	\$3,492	T1	424	1.25	34.7	92.4	26.142	460//380-415/660-690	7
		1800/1500	180L	02218ET3Y180L-W22	\$3,225	T1	457	1.25	36.0	93.6	27.638	460//380-415/660-690	7
		1200/1000	200L	02212ET3Y200L-W22	\$4,924	T1	601	1.25	37.1	93.0	30.197	460//380-415/660-690	7
		900/750	225S/M	02209ET3Y225S/M-W22	\$7,506	T1	885	1.25	37.6	93.0	34.882	460//380-415/660-690	7

continued on next page

Please refer to back cover for description of "NOTES"

For detailed specifications, data sheets, drawings and performance curves visit <http://www.weg.net>

Data subject to change without notice.

Can't find what you are looking for? Call 1-800-ASK-4WEG (275-4934)

GENERAL PURPOSE MOTORS

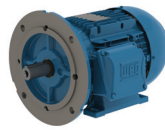
TEFC – Foot Mount - continued

HP	kW	RPM	Frame	Catalog Number	List Price	Mult. Symbol	Approx. Shipping Weight (lbs)	Service Factor	FL Amps @ High	FL Eff (%)	"C" Dimension (in)	Voltage (V)	Notes
40	30	3600//3000	200L	03036ET3Y200L-W22	\$4,877	T1	575	1.25	47.1	93.0	30.197	460//380-415/660-690	7
		1800//1500	200L	03018ET3Y200L-W22	\$4,312	T1	580	1.25	49.4	94.1	30.197	460//380-415/660-690	7
		1200//1000	225S/M	03012ET3Y225S/M-W22	\$7,689	T1	1055	1.25	47.6	94.1	34.882	460//380-415/660-690	7
		900//750	250S/M	03009ET3Y250S/M-W22	\$8,858	T1	1078	1.25	50.9	93.6	37.992	460//380-415/660-690	7
50	37	3600//3000	200L	03736ET3Y200L-W22	\$5,487	T1	587	1.25	61.3	93.6	30.197	460//380-415/660-690	7
		1800//1500	225S/M	03718ET3Y225S/M-W22	\$6,984	T1	1041	1.25	58.5	94.5	34.882	460//380-415/660-690	7
		1200//1000	250S/M	03712ET3Y250S/M-W22	\$9,947	T1	1266	1.25	58.8	94.1	37.992	460//380-415/660-690	7
		900//750	280S/M	03709ET3Y280S/M-W22	\$11,751	T1	1481	1.25	64.1	94.1	42.165	460//380-415/660-690	7
60	45	3600//3000	225S/M	04536ET3Y225S/M-W22	\$7,961	T1	1053	1.25	66.7	94.1	33.701	460//380-415/660-690	7
		1800//1500	225S/M	04518ET3Y225S/M-W22	\$7,391	T1	1022	1.25	69.9	95.0	34.882	460//380-415/660-690	7
		1200//1000	280S/M	04512ET3Y280S/M-W22	\$11,023	T1	1681	1.25	74.7	94.5	42.165	460//380-415/660-690	7
		900//750	280S/M	04509ET3Y280S/M-W22	\$12,815	T1	1631	1.25	77.0	94.1	42.165	460//380-415/660-690	7
75	55	3600//3000	250S/M	05536ET3Y250S/M-W22	\$9,847	T1	1259	1.25	80.3	94.5	37.992	460//380-415/660-690	7
		1800//1500	250S/M	05518ET3Y250S/M-W22	\$8,961	T1	1206	1.25	85.1	95.4	37.992	460//380-415/660-690	7
		1200//1000	280S/M	05512ET3Y280S/M-W22	\$13,622	T1	1794	1.25	90.2	94.5	42.165	460//380-415/660-690	7
		900//750	315S/M	05509ET3Y315S/M-W22	\$15,379	T1	2436	1.25	93.7	94.5	50.157	460//380-415/660-690	7
100	75	3600//3000	280S/M	07536ET3Y280S/M-W22	\$12,472	T1	1776	1.25	111	94.5	42.165	460//380-415/660-690	7
		1800//1500	280S/M	07518ET3Y280S/M-W22	\$12,353	T1	1738	1.25	116	95.4	42.165	460//380-415/660-690	7
		1200//1000	315S/M	07512ET3Y315S/M-W22	\$16,479	T1	2399	1.25	122	95.0	50.157	460//380-415/660-690	7
		900//750	315S/M	07509ET3Y315S/M-W22	\$18,647	T1	2701	1.25	127	95.0	50.157	460//380-415/660-690	7
125	90	3600//3000	280S/M	09036ET3Y280S/M-W22	\$16,720	T1	1862	1.25	132	95.0	42.165	460//380-415/660-690	7
		1800//1500	280S/M	09018ET3Y280S/M-W22	\$15,220	T1	1835	1.25	139	95.4	42.165	460//380-415/660-690	7
		1200//1000	315S/M	09012ET3Y315S/M-W22	\$19,448	T1	2601	1.25	146	95.4	50.157	460//380-415/660-690	7
		900//750	315S/M	09009ET3Y315S/M-W22	\$21,288	T1	2884	1.25	152	95.0	50.157	460//380-415/660-690	7
150	110	3600//3000	315S/M	11036ET3Y315S/M-W22	\$21,018	T1	2382	1.25	163	95.0	48.976	460//380-415/660-690	7
		1800//1500	280S/M	11018ET3Y280S/M-W22	\$17,078	T1	2210	1.25	170	95.8	42.165	460//380-415/660-690	7
		1200//1000	315S/M	11012ET3Y315S/M-W22	\$22,507	T1	2730	1.25	178	95.8	50.157	460//380-415/660-690	7
		900//750	315L	11009ET3Y315L-W22	\$27,910	T1	3008	1.25	186	95.4	54.685	460//380-415/660-690	7
175	132	3600//3000	315S/M	13236ET3Y315S/M-W22	\$23,180	T1	2662	1.25	193	95.4	48.976	460//380-415/660-690	7;43
		1800//1500	315S/M	13218ET3Y315S/M-W22	\$19,732	T1	2540	1.25	203	96.2	50.157	460//380-415/660-690	7
		1200//1000	315S/M	13212ET3Y315S/M-W22	\$25,642	T1	3031	1.25	214	95.8	50.157	460//380-415/660-690	7
		900//750	315L	13209ET3Y315L-W22	\$33,687	T1	3796	1.25	223	95.4	54.685	460//380-415/660-690	7;43
200	150	3600//3000	315S/M	15036ET3Y315S/M-W22	\$26,249	T1	2682	1.25	219	95.4	48.976	460//380-415/660-690	7
		1800//1500	315S/M	15018ET3Y315S/M-W22	\$21,772	T1	2784	1.25	228	96.2	50.157	460//380-415/660-690	7
		1200//1000	315L	15012ET3Y315L-W22	\$28,298	T1	3557	1.15	240	95.8	54.685	460//380-415/660-690	7;43
250	185	3600//3000	315S/M	18536ET3Y315S/M-W22	\$26,529	T1	2900	1.25	269	95.8	48.976	460//380-415/660-690	7
		1800//1500	315S/M	18518ET3Y315S/M-W22	\$26,247	T1	2948	1.25	284	96.2	50.157	460//380-415/660-690	7
		1200//1000	355M/L	18512ET3Y355M/L-W22	\$43,876	T1	3666	1.15	311	95.8	58.346	460//380-415/660-690	7
300	220	3600//3000	315L	22036ET3Y315L-W22	\$44,212	T1	3468	1.25	315	96.2	53.268	460//380-415/660-690	7;43
		1800//1500	315L	22018ET3Y315L-W22	\$36,234	T1	3113	1.25	338	96.2	54.685	460//380-415/660-690	7;43
		1200//1000	355M/L	22012ET3Y355M/L-W22	\$46,322	T1	4507	1.15	370	95.8	58.346	460//380-415/660-690	7;43
350	260	3600//3000	355M/L	26036ET3Y355M/L-W22	\$50,637	T1	4975	1.15	373	96.2	55.591	460//380-415/660-690	7;43;51
		1800//1500	355M/L	26018ET3Y355M/L-W22	\$43,761	T1	4218	1.15	399	96.2	58.346	460//380-415/660-690	7;43
		1200//1000	355M/L	26012ET3Y355M/L-W22	\$53,001	T1	5075	1.15	436	95.9	58.346	460//380-415/660-690	7;43
400	300	3600//3000	355M/L	30036ET3Y355M/L-W22	\$66,321	T1	4034	1.15	315	96.2	55.591	460//380-415/660-690	7;43
		1800//1500	355M/L	30018ET3Y355M/L-W22	\$60,292	T1	4337	1.00	466	96.2	58.346	460//380-415/660-690	7;43
		1800//1500	355M/L	33018ET3Y355M/L-W22	\$64,557	T1	4906	1.15	505	96.5	58.346	460//380-415/660-690	7;43

Please refer to back cover for description of "NOTES"

For detailed specifications, data sheets, drawings and performance curves visit <http://www.weg.net>

Data subject to change without notice.


**TEFC – (FF) B35(F2) D-Flange Style with Feet**

HP	kW	RPM	Frame	Catalog Number	List Price	Mult. Symbol	Approx. Shipping Weight (lbs)	Service Factor	FL Amps @ High	FL Eff (%)	"C" Dimension (in)	Voltage (V)	Notes
0.5	0.37	1800//1500	71	.3718EP3EAL71FF-W22	\$340	T1	26	1.15	1.06	73.0	9.764	230/460//380-415	2;7
		3600//3000	71	.5536EP3EAL71FF-W22	\$366	T1	23	1.15	1.14	76.0	9.764	230/460//380-415	2;7
0.75	0.55	1800//1500	80	.5518EP3EAL80FF-W22	\$383	T1	28	1.15	1.25	77.0	10.866	230/460//380-415	2;7
		1800//1500	90S/L	.7518ET3EAL90S/LFF-W	\$479	T1	42	1.25	1.47	85.5	12.953	230/460//380-415	2;7
1	0.75	1800//1500	90S/L	.7518ET3WAL90S/LFF-W	\$479	T1	43	1.25	1.47	85.5	12.953	460//220-240/380-415	2;7
		1800//1500	90S/L	00158ET3EAL90LFF-W22	\$583	T1	49	1.25	2.79	86.5	12.953	208-230/460//380-415	2;7
2	1.5	1800//1500	90L	00158ET3WAL90LFF-W22	\$583	T1	51	1.25	2.79	86.5	12.953	460//220-240/380-415	
		1200//1000	100L	00152ET3WAL100LFF-W2	\$882	T1	76	1.25	3.04	88.5	14.803	460//220-240/380-415	2;7
		3600//3000	90L	00236ET3WAL90LFF-W22	\$815	T1	46	1.25	3.85	86.5	12.953	460//220-240/380-415	
3	2.2	1800//1500	100L	00218ET3EAL100LFF-W2	\$700	T1	66	1.25	4.11	89.5	14.803	230/460//380-415	2;7
		1800//1500	100L	00218ET3WAL100LFF-W2	\$700	T1	68	1.25	4.05	87.5	14.803	460//220-240/380-415	
		1800//1500	100L	00318ET3WAL100LFF-W2	\$742	T1	77	1.25	5.33	89.5	14.803	460//220-240/380-415	2;7
5.5	4	3600//3000	112M	00436ET3YAL112MFF-W2	\$944	T1	86	1.25	6.67	88.5	15.472	460//380-415	2;7
		1800//1500	112M	00418ET3YAL112MFF-W2	\$749	T1	93	1.25	7.28	89.5	15.472	460//380-415	2;7
		1200//1000	132M	00412ET3YAL132MFF-W2	\$1,333	T1	147	1.25	7.90	89.5	19.291	460//380-415	2;7
7.5	5.5	3600//3000	132S	00536ET3YAL132SFF-W2	\$1,223	T1	135	1.25	8.97	89.5	19.291	460//380-415	39
		1800//1500	132S	00518ET3YAL132SFF-W2	\$1,011	T1	142	1.25	9.07	91.7	19.291	460//380-415	2;7
10	7.5	3600//3000	132S	00736ET3YAL132SFF-W2	\$1,371	T1	147	1.25	12.3	90.2	19.291	460//380-415	2;7
		1800//1500	132M	00718ET3YAL132MFF-W2	\$1,189	T1	159	1.25	12.2	91.7	19.291	460//380-415	2;7
15	11	3600//3000	160M	01136ET3Y160MFF-W22	\$2,219	T1	304	1.25	17.9	91.7	23.543	460//380-415	7
		1800//1500	160M	01118ET3Y160MFF-W22	\$1,843	T1	304	1.25	18.2	92.4	23.543	460//380-415	7
20	15	1800//1500	160L	01518ET3Y160LFF-W22	\$2,235	T1	358	1.25	25.0	93.0	25.276	460//380-415	7
30	22	1800//1500	180L	02218ET3Y180LFF-W22	\$3,361	T1	501	1.25	36.0	93.6	27.638	460//380-415 V	7
50	37	3600//3000	200L	03736ET3Y200LFF-W22	\$5,789	T1	595	1.25	61.3	93.6	30.197	460//380-415 V	7;51
		1800//1500	225S/M	03718ET3Y225S/MFF-W22	\$7,774	T1	1058	1.25	58.5	94.5	34.882	460//380-415 V	7

Please refer to back cover for description of "NOTES"

 For detailed specifications, data sheets, drawings and performance curves visit [http:// www.weg.net](http://www.weg.net)

Data subject to change without notice.

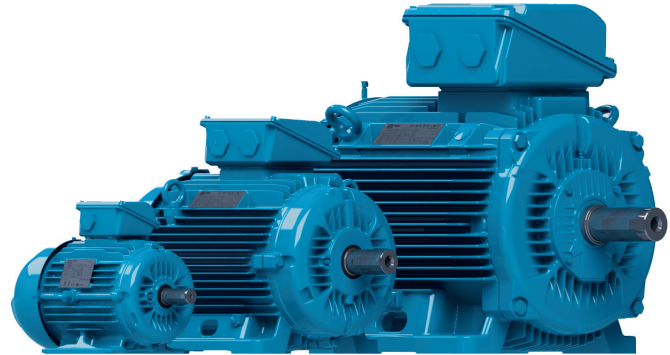
Can't find what you are looking for? Call 1-800-ASK-4WEG (275-4934)

# ATEX Motors

## INCREASED SAFETY

### TEFC - Ex ec

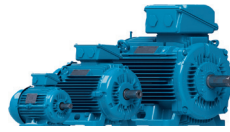
Ex ec motors do not require certification by any third party entity (a manufacturer's compliance declaration is sufficient). Nevertheless the Ex ec motors manufactured by WEG are certified by Ex NB BASEEFA.



### Standard Features:

- 50 Hz and 60 Hz rated (1.00 Service Factor)
- Class F insulation (Impregnation Resin and magnet Wire are class H)
- F3 mounted as standard
- Stainless Steel Nameplate - Laser etched with high contrast background
- Regreasable ball bearings (Frames 160 and up)
- Gasketed conduit box
- Zone 2 & 22, Groups IIA, IIB and IIC
- Temperature Class T3
- Suitable for WYE/Delta Start
- Design N
- Conductive plastic fan (frames 63 up to 315)
- Aluminum fan (frame 355)
- Thermistor 2 per phase





### TEFC - Ex ec

HP	kw	RPM	Frame	Catalog Number	List Price	Mult. Symbol	Approx. Shipping Weight (lbs)	Service Factor	FL Amps @ High	FL Eff (%)	"C" Dimension (in)	Voltage (V)	Notes
0.25	0.18	3000//3600	63	E0.1836EP3WAX63F3-W2	\$364	XN	22	1.00	0.51	63.6	8.504	220-240/380-415//440-460	1;8;27
		1500//1800	63	E0.1818EP3WAX63F3-W2	\$365	XN	20	1.00	0.57	64.7	8.504	220-240/380-415//440-460	1;8;27
		1000//1200	71	E0.1812EP3WAX71F3-W2	\$476	XN	29	1.00	0.74	58.6	9.843	220-240/380-415//440-460	1;8;27
0.33	0.25	3000//3600	63	E0.2536EP3WAX63F3-W2	\$373	XN	23	1.00	0.71	64.8	8.504	220-240/380-415//440-460	1;8;27
		1500//1800	71	E0.2518EP3WAX71F3-W2	\$415	XN	27	1.00	0.74	68.5	9.843	220-240/380-415//440-460	1;8;27
		1000//1200	71	E0.2512EP3WAX71F3-W2	\$483	XN	32	1.00	1.05	61.6	9.843	220-240/380-415//440-460	1;8;27
0.5	0.37	3000//3600	71	E0.3736EP3WAX71F3-W2	\$408	XN	24	1.00	0.88	71.2	9.843	220-240/380-415//440-460	1;8;27
		1500//1800	71	E0.3718EP3WAX71F3-W2	\$427	XN	28	1.00	1.03	72.7	9.843	220-240/380-415//440-460	1;8;27
		1000//1200	80	E0.3712EP3WAX80F3-W2	\$507	XN	33	1.00	1.10	67.6	10.906	220-240/380-415//440-460	1;8;27
0.75	0.55	3000//3600	71	E0.5536EP3WAX71F3-W2	\$415	XN	29	1.00	1.20	74.1	9.843	220-240/380-415//440-460	1;8;27
		1500//1800	80	E0.5518EP3WAX80F3-W2	\$488	XN	38	1.00	1.36	77.1	10.906	220-240/380-415//440-460	1;8;27
		1000//1200	80	E0.5512EP3WAX80F3-W2	\$523	XN	36	1.00	1.45	73.1	10.906	220-240/380-415//440-460	1;8;27
1	0.75	3000//3600	80	E0.7536EP3WAX80F3-W2	\$499	XN	37	1.00	1.56	79.5	10.906	220-240/380-415//440-460	1;8;27
		3000//3600	80	E0.7536ET3WAX80F3-W2	\$659	XN	27	1.00	1.63	81.1	10.906	220-240/380-415//440-460	1;8;27
		1500//1800	80	E0.7518EP3WAX80F3-W2	\$507	XN	39	1.00	1.61	80.1	10.906	220-240/380-415//440-460	1;8;27
		1500//1800	80	E0.7518ET3WAX80F3-W2	\$670	XN	39	1.00	1.60	82.8	10.906	220-240/380-415//440-460	1;8;27
		1000//1200	90S	E0.7512EP3WAX90SF3-W	\$660	XN	48	1.00	1.92	76.4	11.969	220-240/380-415//440-460	1;8;27
		1000//1200	L90S	E0.7512ET3WAXL90SF3W	\$872	XN	51	1.00	1.91	79.1	13.169	220-240/380-415//440-460	1;8;27
1.5	1.1	3000//3600	80	E00136EP3WAX80F3-W22	\$538	XN	41	1.00	2.33	80.2	10.906	220-240/380-415//440-460	1;8;27
		3000//3600	80	E00136ET3WAX80F3-W22	\$711	XN	35	1.00	2.32	83.4	10.906	220-240/380-415//440-460	1;8;27
		1500//1800	90S	E00118EP3WAX90SF3-W2	\$578	XN	53	1.00	2.36	82.1	11.969	220-240/380-415//440-460	1;8;27
		1500//1800	90S	E00118ET3WAX90SF3-W2	\$763	XN	51	1.00	2.34	84.8	11.969	220-240/380-415//440-460	1;8;27
		1000//1200	90L	E00112EP3WAX90LF3-W2	\$700	XN	58	1.00	2.80	78.1	12.953	220-240/380-415//440-460	1;8;27
		1000//1200	100L	E00112ET3WAX100LF3-W	\$924	XN	126	1.00	2.68	81.5	14.803	220-240/380-415//440-460	1;8;27
2	1.5	3000//3600	90S	E00156EP3WAX90SF3-W2	\$614	XN	45	1.00	3.08	82.5	11.969	220-240/380-415//440-460	1;8;27
		3000//3600	90S	E00156ET3WAX90SF3-W2	\$811	XN	50	1.00	3.06	85.2	11.969	220-240/380-415//440-460	1;8;27
		1500//1800	90L	E00158EP3WAX90LF3-W2	\$673	XN	56	1.00	3.22	83.1	12.953	220-240/380-415//440-460	1;8;27
		1500//1800	90L	E00158ET3WAX90LF3-W2	\$889	XN	59	1.00	3.15	86.1	12.953	220-240/380-415//440-460	1;8;27
		1000//1200	100L	E00152EP3WAX100LF3-W	\$872	XN	73	1.00	3.71	80.3	14.803	220-240/380-415//440-460	1;8;27
		1000//1200	100L	E00152ET3WAX100LF3-W	\$1,152	XN	98	1.00	3.71	82.8	14.803	220-240/380-415//440-460	1;8;27,51
		3000//3600	90L	E00236EP3WAX90LF3-W2	\$700	XN	63	1.00	4.56	83.9	12.953	220-240/380-415//440-460	1;8;27
3	2.2	3000//3600	90L	E00236ET3WAX90LF3-W2	\$924	XN	56	1.00	4.37	86.5	12.953	220-240/380-415//440-460	1;8;27
		1500//1800	100L	E00218EP3WAX100LF3-W	\$845	XN	85	1.00	4.56	84.9	14.803	220-240/380-415//440-460	1;8;27
		1500//1800	100L	E00218ET3WAX100LF3-W	\$1,116	XN	77	1.00	4.50	87.2	16.299	220-240/380-415//440-460	1;8;27
		1000//1200	112M	E00212EP3YAX112MF3-W	\$1,181	XN	87	1.00	5.34	83.0	15.512	380-415/660-690//440-460	1;8;27
		1000//1200	112M	E00212ET3YAX112MF3-W	\$1,561	XN	110	1.00	5.16	84.7	15.512	380-415/660-690//440-460	1;8;27
		3000//3600	100L	E00336EP3WAX100LF3-W	\$916	XN	89	1.00	5.85	85.0	14.803	220-240/380-415//440-460	1;8;27
		3000//3600	100L	E00336ET3WAX100LF3-W	\$1,210	XN	80	1.00	5.68	87.4	14.803	220-240/380-415//440-460	1;8;27
4	3	1500//1800	100L	E00318EP3WAX100LF3-W	\$1,016	XN	86	1.00	6.07	86.0	14.803	220-240/380-415//440-460	1;8;27
		1500//1800	L100L	E00318ET3WAXL100LF3W	\$1,342	XN	86	1.00	6.07	88.1	16.457	220-240/380-415//440-460	1;8;27
		1000//1200	132S	E00312EP3YAX132SF3-W	\$1,684	XN	140	1.00	7.34	83.6	17.795	380-415/660-690//440-460	1;8;27
		1000//1200	132S	E00312ET3YAX132SF3-W	\$2,225	XN	147	1.00	6.84	86.0	17.795	380-415/660-690//440-460	1;8;27
		3000//3600	112M	E00436EP3YAX112MF3-W	\$1,174	XN	87	1.00	7.50	86.3	15.512	380-415/660-690//440-460	1;8;27
5.5	4	3000//3600	112M	E00436ET3YAX112MF3-W	\$1,552	XN	94	1.00	7.49	88.4	15.512	380-415/660-690//440-460	1;8;27
		1500//1800	112M	E00418EP3YAX112MF3-W	\$1,388	XN	96	1.00	8.20	87.0	15.512	380-415/660-690//440-460	1;8;27
		1500//1800	112M	E00418ET3YAX112MF3-W	\$1,712	XN	100	1.00	8.09	89.3	15.512	380-415/660-690//440-460	1;8;27
		1000//1200	132M	E00412EP3YAX132MF3-W	\$1,910	XN	155	1.00	9.50	84.9	19.252	380-415/660-690//440-460	1;8;27
		1000//1200	132M	E00412ET3YAX132MF3-W	\$2,524	XN	158	1.00	9.03	86.8	19.252	380-415/660-690//440-460	1;8;27

continued on next page

Please refer to back cover for description of "NOTES"

For detailed specifications, data sheets, drawings and performance curves visit <http://www.weg.net>

Data subject to change without notice.

Can't find what you are looking for? Call 1-800-ASK-4WEG (275-4934)

INCREASED SAFETY

TEFC – Ex ec - *continued*

HP	kW	RPM	Frame	Catalog Number	List Price	Mult. Symbol	Approx. Shipping Weight (lbs)	Service Factor	FL Amps @ High	FL Eff (%)	"C" Dimension (in)	Voltage (V)	Notes
7.5	5.5	3000//3600	132S	E00536EP3YAX132SF3-W	\$1,613	XN	137	1.00	10.5	88.0	17.795	380-415/660-690//440-460	1;8;27
		3000//3600	132S	E00536ET3YAX132SF3-W	\$2,132	XN	145	1.00	10.6	89.2	17.795	380-415/660-690//440-460	1;8;27
		1500//1800	132S	E00518EP3YAX132SF3-W	\$1,798	XN	162	1.00	10.4	87.7	17.795	380-415/660-690//440-460	1;8;27
		1500//1800	132S	E00518ET3YAX132SF3-W	\$2,218	XN	150	1.00	10.1	89.8	17.795	380-415/660-690//440-460	1;8;27
		1000//1200	132M	E00512EP3YAX132MF3-W	\$2,312	XN	164	1.00	12.9	86.2	19.252	380-415/660-690//440-460	1;8;27
		1000//1200	132M/L	E00512ET3YAX132MLF3W	\$3,052	XN	207	1.00	12.6	88.0	20.276	380-415/660-690//440-460	1;8;27
10	7.5	3000//3600	132S	E00736EP3YAX132SF3-W	\$1,833	XN	144	1.00	13.8	88.7	17.795	380-415/660-690//440-460	1;8;27
		3000//3600	132S	E00736ET3YAX132SF3-W	\$2,422	XN	158	1.00	13.9	90.3	17.795	380-415/660-690//440-460	1;8;27
		1500//1800	132M	E00718EP3YAX132MF3-W	\$2,135	XN	164	1.00	13.9	89.4	19.252	380-415/660-690//440-460	1;8;27
		1500//1800	132M	E00718ET3YAX132MF3-W	\$2,634	XN	167	1.00	13.9	90.4	19.252	380-415/660-690//440-460	1;8;27
		1000//1200	160M	E00712EP3YAX160MF3-W	\$3,221	XN	286	1.00	14.7	88.5	23.543	380-415/660-690//440-460	1;8;27
		1000//1200	160M	E00712ET3YAX160MF3-W	\$4,256	XN	298	1.00	14.6	89.1	23.543	380-415/660-690//440-460	1;8;27
15	11	3000//3600	160M	E01136EP3YAX160MF3-W	\$3,150	XN	266	1.00	20.1	90.6	23.543	380-415/660-690//440-460	1;8;27
		3000//3600	160M	E01136ET3YAX160MF3-W	\$4,163	XN	291	1.00	19.7	91.4	23.543	380-415/660-690//440-460	1;8;27
		1500//1800	160M	E01118EP3YAX160MF3-W	\$3,331	XN	269	1.00	20.9	90.3	23.543	380-415/660-690//440-460	1;8;27
		1500//1800	160M	E01118ET3YAX160MF3-W	\$4,108	XN	287	1.00	20.6	91.5	23.543	380-415/660-690//440-460	1;8;27
		1000//1200	160L	E01112EP3YAX160LF3-W	\$4,243	XN	337	1.00	21.7	89.3	25.276	380-415/660-690//440-460	1;8;27
		1000//1200	160L	E01112ET3YAX160LF3-W	\$5,607	XN	347	1.00	21.7	90.3	25.276	380-415/660-690//440-460	1;8;27
20	15	3000//3600	160M	E01536EP3YAX160MF3-W	\$3,398	XN	284	1.00	27.2	91.4	23.543	380-415/660-690//440-460	1;8;27
		3000//3600	160M	E01536ET3YAX160MF3-W	\$4,490	XN	302	1.00	27.7	91.9	23.543	380-415/660-690//440-460	1;8;27
		1500//1800	160L	E01518EP3YAX160LF3-W	\$3,622	XN	313	1.00	28.2	91.2	25.276	380-415/660-690//440-460	1;8;27
		1500//1800	160L	E01518ET3YAX160LF3-W	\$4,696	XN	335	1.00	28.0	92.1	25.276	380-415/660-690//440-460	1;8;27
		1000//1200	180L	E01512EP3YAX180LF3-W	\$5,388	XN	411	1.00	27.1	90.6	27.638	380-415/660-690//440-460	1;8;27
		1000//1200	180L	E01512ET3YAX180LF3-W	\$7,119	XN	435	1.00	27.3	91.2	27.638	380-415/660-690//440-460	1;8;27
25	18.5	3000//3600	160L	E01836EP3YAX160LF3-W	\$3,960	XN	356	1.00	33.2	92.2	25.276	380-415/660-690//440-460	1;8;27
		3000//3600	160L	E01836ET3YAX160LF3-W	\$5,233	XN	335	1.00	33.6	92.4	25.276	380-415/660-690//440-460	1;8;27
		1500//1800	180M	E01818EP3YAX180MF3-W	\$5,439	XN	389	1.00	34.7	91.7	26.142	380-415/660-690//440-460	1;8;27
		1500//1800	180M	E01818ET3YAX180MF3-W	\$6,708	XN	397	1.00	34.7	92.6	26.142	380-415/660-690//440-460	1;8;27
		1000//1200	200L	E01812EP3YAX200LF3-W	\$7,499	XN	502	1.00	35.2	91.3	30.197	380-415/660-690//440-460	1;8;27
		1000//1200	200L	E01812ET3YAX200LF3-W	\$9,910	XN	504	1.00	36.0	91.7	30.197	380-415/660-690//440-460	1;8;27
30	22	3000//3600	180M	E02236EP3YAX180MF3-W	\$5,140	XN	389	1.00	38.1	92.4	26.142	380-415/660-690//440-460	1;8;27
		3000//3600	180M	E02236ET3YAX180MF3-W	\$6,792	XN	402	1.00	39.3	92.7	26.142	380-415/660-690//440-460	1;8;27
		1500//1800	180L	E02218EP3YAX180LF3-W	\$5,934	XN	446	1.00	39.9	92.4	27.638	380-415/660-690//440-460	1;8;27
		1500//1800	180L	E02218ET3YAX180LF3-W	\$7,319	XN	435	1.00	40.6	93.0	27.638	380-415/660-690//440-460	1;8;27
		1000//1200	200L	E02212EP3YAX200LF3-W	\$7,956	XN	526	1.00	41.8	91.6	30.197	380-415/660-690//440-460	1;8;27
		1000//1200	200L	E02212ET3YAX200LF3-W	\$10,539	XN	526	1.00	42.0	92.2	30.197	380-415/660-690//440-460	1;8;27
40	30	3000//3600	200L	E03036EP3YAX200LF3-W	\$7,515	XN	539	1.00	52.2	93.0	30.197	380-415/660-690//440-460	1;8;27
		3000//3600	200L	E03036ET3YAX200LF3-W	\$9,931	XN	548	1.00	54.6	93.3	30.197	380-415/660-690//440-460	1;8;27
		1500//1800	200L	E03018EP3YAX200LF3-W	\$7,716	XN	520	1.00	56.9	92.9	30.197	380-415/660-690//440-460	1;8;27
		1500//1800	200L	E03018ET3YAX200LF3-W	\$10,004	XN	533	1.00	56.4	93.6	30.197	380-415/660-690//440-460	1;8;27
		1000//1200	225S/M	E03012EP3YAX225SMF3W	\$12,034	XN	906	1.00	54.9	92.7	34.882	380-415/660-690//440-460	1;8;27
		1000//1200	225S/M	E03012ET3YAX225SMF3W	\$15,902	XN	952	1.00	54.7	93.0	34.882	380-415/660-690//440-460	1;8;27
50	37	3000//3600	200L	E03736EP3YAX200LF3-W	\$7,987	XN	592	1.00	64.0	93.5	30.197	380-415/660-690//440-460	1;8;27
		3000//3600	200L	E03736ET3YAX200LF3-W	\$10,554	XN	581	1.00	67.0	93.7	30.197	380-415/660-690//440-460	1;8;27
		1500//1800	225S/M	E03718EP3YAX225SMF3W	\$10,284	XN	868	1.00	64.9	93.3	34.882	380-415/660-690//440-460	1;8;27
		1500//1800	225S/M	E03718ET3YAX225SMF3W	\$13,553	XN	920	1.00	66.0	93.9	34.882	380-415/660-690//440-460	1;8;27
		1000//1200	250S/M	E03712EP3YAX250SMF3W	\$13,422	XN	1086	1.00	65.0	93.2	37.992	380-415/660-690//440-460	1;8;27
		1000//1200	250S/M	E03712ET3YAX250SMF3W	\$17,736	XN	1068	1.00	65.5	93.5	37.992	380-415/660-690//440-460	1;8;27

*continued on next page*

Please refer to back cover for description of "NOTES"

For detailed specifications, data sheets, drawings and performance curves visit [http:// www.weg.net](http://www.weg.net)

Data subject to change without notice.

### TEFC – Ex ec - continued

HP	kW	RPM	Frame	Catalog Number	List Price	Mult. Symbol	Approx. Shipping Weight (lbs)	Service Factor	FL Amps @ High	FL Eff (%)	"C" Dimension (in)	Voltage (V)	Notes
60	45	3000//3600	225S/M	<a href="#">E04536EP3YAX225SMF3W</a>	\$12,588	XN	899	1.00	75.8	93.8	33.701	380-415/660-690//440-460	1;8;27
		3000//3600	225S/M	<a href="#">E04536ET3YAX225SMF3W</a>	\$16,634	XN	1011	1.00	75.4	94.3	33.701	380-415/660-690//440-460	1;8;27;51
		1500//1800	225S/M	<a href="#">E04518EP3YAX225SMF3W</a>	\$11,696	XN	914	1.00	81.5	93.7	34.882	380-415/660-690//440-460	1;8;27
		1500//1800	225S/M	<a href="#">E04518ET3YAX225SMF3W</a>	\$15,411	XN	996	1.00	79.0	94.4	34.882	380-415/660-690//440-460	1;8;27
		1000//1200	280S/M	<a href="#">E04512EP3YAX280SMF3W</a>	\$20,481	XN	1478	1.00	83.7	93.5	42.165	380-415/660-690//440-460	1;8;27
		1000//1200	280S/M	<a href="#">E04512ET3YAX280SMF3W</a>	\$27,064	XN	1589	1.00	82.2	94.0	42.165	380-415/660-690//440-460	1;8;27
75	55	3000//3600	250S/M	<a href="#">E05536EP3YAX250SMF3W</a>	\$14,893	XN	1031	1.00	92.5	94.0	37.992	380-415/660-690//440-460	1;8;27
		3000//3600	250S/M	<a href="#">E05536ET3YAX250SMF3W</a>	\$19,680	XN	1134	1.00	93.2	94.4	37.992	380-415/660-690//440-460	1;8;27
		1500//1800	250S/M	<a href="#">E05518EP3YAX250SMF3W</a>	\$14,354	XN	1099	1.00	94.6	94.1	37.992	380-415/660-690//440-460	1;8;27
		1500//1800	250S/M	<a href="#">E05518ET3YAX250SMF3W</a>	\$18,916	XN	1091	1.00	97.5	94.6	37.992	380-415/660-690//440-460	1;8;27
		1000//1200	280S/M	<a href="#">E05512EP3YAX280SMF3W</a>	\$20,781	XN	1551	1.00	99.4	93.9	42.165	380-415/660-690//440-460	1;8;27
		1000//1200	280S/M	<a href="#">E05512ET3YAX280SMF3W</a>	\$27,355	XN	1644	1.00	100	94.3	42.165	380-415/660-690//440-460	1;8;27
100	75	3000//3600	280S/M	<a href="#">E07536EP3YAX280SMF3W</a>	\$20,430	XN	1553	1.00	127	94.3	42.165	380-415/660-690//440-460	1;8;27
		3000//3600	280S/M	<a href="#">E07536ET3YAX280SMF3W</a>	\$26,996	XN	1677	1.00	126	94.9	42.165	380-415/660-690//440-460	1;8;27
		1500//1800	280S/M	<a href="#">E07518EP3YAX280SMF3W</a>	\$20,544	XN	1573	1.00	130	94.4	42.165	380-415/660-690//440-460	1;8;27
		1500//1800	280S/M	<a href="#">E07518ET3YAX280SMF3W</a>	\$27,072	XN	1567	1.00	130	95.2	42.165	380-415/660-690//440-460	1;8;27
		1000//1200	315S/M	<a href="#">E07512EP3YAX315SMF3W</a>	\$23,092	XN	2010	1.00	137	94.2	50.157	380-415/660-690//440-460	1;8;27
		1000//1200	315S/M	<a href="#">E07512ET3YAX315SMF3W</a>	\$30,515	XN	2183	1.00	137	95.0	50.157	380-415/660-690//440-460	1;8;27
125	90	3000//3600	280S/M	<a href="#">E09036EP3YAX280SMF3W</a>	\$21,712	XN	1604	1.00	152	94.5	42.165	380-415/660-690//440-460	1;8;27
		3000//3600	280S/M	<a href="#">E09036ET3YAX280SMF3W</a>	\$28,691	XN	1744	1.00	149	95.2	42.165	380-415/660-690//440-460	1;8;27
		1500//1800	280S/M	<a href="#">E09018EP3YAX280SMF3W</a>	\$21,307	XN	1648	1.00	154	94.7	42.165	380-415/660-690//440-460	1;8;27
		1500//1800	280S/M	<a href="#">E09018ET3YAX280SMF3W</a>	\$28,077	XN	1722	1.00	154	95.4	42.165	380-415/660-690//440-460	1;8;27
		1000//1200	315S/M	<a href="#">E09012EP3YAX315SMF3W</a>	\$27,076	XN	2133	1.00	159	94.6	50.157	380-415/660-690//440-460	1;8;27
		1000//1200	315S/M	<a href="#">E09012ET3YAX315SMF3W</a>	\$35,779	XN	2337	1.00	162	95.2	50.157	380-415/660-690//440-460	1;8;27
150	110	3000//3600	315S/M	<a href="#">E11036EP3YAX315SMF3W</a>	\$26,144	XN	2091	1.00	183	94.9	48.976	380-415/660-690//440-460	1;8;27
		3000//3600	315S/M	<a href="#">E11036ET3YAX315SMF3W</a>	\$34,547	XN	2139	1.00	184	95.4	48.976	380-415/660-690//440-460	1;8;27
		1500//1800	315S/M	<a href="#">E11018EP3YAX315SMF3W</a>	\$27,068	XN	2120	1.00	192	95.0	50.157	380-415/660-690//440-460	1;8;27
		1500//1800	315S/M	<a href="#">E11018ET3YAX315SMF3W</a>	\$35,670	XN	2249	1.00	189	95.5	50.157	380-415/660-690//440-460	1;8;27
		1000//1200	315S/M	<a href="#">E11012EP3YAX315SMF3W</a>	\$34,367	XN	2294	1.00	194	94.9	50.157	380-415/660-690//440-460	1;8;27
		1000//1200	315S/M	<a href="#">E11012ET3YAX315SMF3W</a>	\$45,413	XN	2447	1.00	196	95.1	50.157	380-415/660-690//440-460	1;8;27
175	132	3000//3600	315S/M	<a href="#">E13236EP3YAX315SMF3W</a>	\$29,862	XN	2217	1.00	217	95.2	48.976	380-415/660-690//440-460	1;8;27
		3000//3600	315S/M	<a href="#">E13236ET3YAX315SMF3W</a>	\$39,500	XN	2249	1.00	218	95.6	48.976	380-415/660-690//440-460	1;8;27
		1500//1800	315S/M	<a href="#">E13218EP3YAX315SMF3W</a>	\$31,689	XN	2265	1.00	224	95.2	50.157	380-415/660-690//440-460	1;8;27
		1500//1800	315S/M	<a href="#">E13218ET3YAX315SMF3W</a>	\$42,877	XN	2381	1.00	226	95.6	50.157	380-415/660-690//440-460	1;8;27
		1000//1200	315S/M	<a href="#">E13212EP3YAX315SMF3W</a>	\$52,853	XN	2448	1.00	233	95.0	50.157	380-415/660-690//440-460	1;8;27
		1000//1200	315S/M	<a href="#">E13212ET3YAX315SMF3W</a>	\$76,749	XN	2580	1.00	240	95.6	50.157	380-415/660-690//440-460	1;8;27
200	150	3000//3600	315S/M	<a href="#">E15036EP3YAX315SMF3W</a>	\$31,360	XN	2073	1.00	253	94.8	48.976	220-240/380-415//440-460	1;8;27
		3000//3600	315S/M	<a href="#">E15036ET3YAX315SMF3W</a>	\$41,396	XN	2469	1.00	245	95.6	48.976	380-415/660-690//440-460	1;8;27
		1500//1800	315S/M	<a href="#">E15018EP3YAX315SMF3W</a>	\$33,286	XN	2073	1.00	254	95.4	50.157	220-240/380-415//440-460	1;8;27
		1500//1800	315S/M	<a href="#">E15018ET3YAX315SMF3W</a>	\$43,938	XN	2425	1.00	259	96.0	50.157	380-415/660-690//440-460	1;8;27
		1000//1200	315L	<a href="#">E15012ET3YAX315LF3W2</a>	\$82,712	XN	2800	1.00	269	95.7	54.685	380-415/660-690//440-460	1;8;27
		1000//1200	355M/L	<a href="#">E15012EP3YAX355MLF3W</a>	\$62,660	XN	2073	1.00	291	95.0	58.346	220-240/380-415//440-460	1;8;27

continued on next page

Please refer to back cover for description of "NOTES"

 For detailed specifications, data sheets, drawings and performance curves visit <http://www.weg.net>

Data subject to change without notice.

Can't find what you are looking for? Call 1-800-ASK-4WEG (275-4934)

## INCREASED SAFETY

### TEFC – Ex ec - continued

HP	kW	RPM	Frame	Catalog Number	List Price	Mult. Symbol	Approx. Shipping Weight (lbs)	Service Factor	FL Amps @ High	FL. Eff (%)	“C” Dimension (in)	Voltage (V)	Notes
220	160	3000/3600	315S/M	<a href="#">E16036EP3YAX315SMF3W</a>	\$38,870	XN	2778	1.00	262	95.3	48.976	380-415/660-690//440-460	1;8;27
		3000/3600	315S/M	<a href="#">E16036ET3YAX315SMF3W</a>	\$51,363	XN	2535	1.00	264	95.8	48.976	380-415/660-690//440-460	1;8;27
		1500/1800	315S/M	<a href="#">E16018EP3YAX315SMF3W</a>	\$36,046	XN	2385	1.00	271	95.4	50.157	380-415/660-690//440-460	1;8;27
		1500/1800	315S/M	<a href="#">E16018ET3YAX315SMF3W</a>	\$47,534	XN	2535	1.00	273	95.8	50.157	380-415/660-690//440-460	1;8;27
		1000/1200	315L	<a href="#">E16012EP3YAX315LF3-W</a>	\$60,176	XN	2862	1.00	282	95.2	54.685	380-415/660-690//440-460	1;8;27
		1000/1200	315L	<a href="#">E16012ET3YAX315LF3-W</a>	\$79,990	XN	2866	1.00	287	95.8	54.685	380-415/660-690//440-460	1;8;27
		1000/1200	355M/L	<a href="#">E16012EP3YAX355MLF3W</a>	\$65,792	XN	3488	1.00	290	96.0	58.346	380-415/660-690//440-460	1;8;27
		1000/1200	355M/L	<a href="#">E16012ET3YAX355MLF3W</a>	\$86,940	XN	3592	1.00	302	95.8	58.346	380-415/660-690//440-460	1;8;27
270	200	3000/3600	355M/L	<a href="#">E20036EP3YAX355MLF3W</a>	\$66,531	XN	3922	1.00	320	95.6	55.591	380-415/660-690//440-460	1;8;27
		1500/1800	315L	<a href="#">E20018ET3YAX315LF3-W</a>	\$70,770	XN	2800	1.00	333	96.1	54.685	380-415/660-690//440-460	1;8;27
		1500/1800	355M/L	<a href="#">E20018EP3YAX355MLF3W</a>	\$64,081	XN	3380	1.00	346	95.6	58.346	380-415/660-690//440-460	1;8;27
		1500/1800	355M/L	<a href="#">E20018ET3YAX355MLF3W</a>	\$76,925	XN	3580	1.00	344	96.3	58.346	380-415/660-690//440-460	1;8;27
		1000/1200	315L	<a href="#">E20012EP3YAX315LF3-W</a>	\$66,948	XN	3435	1.00	356	95.4	54.685	380-415/660-690//440-460	1;8;27
		1000/1200	355M/L	<a href="#">E20012EP3YAX355MLF3W</a>	\$74,007	XN	3907	1.00	368	95.7	58.346	380-415/660-690//440-460	1;8;27
		1000/1200	355M/L	<a href="#">E20012ET3YAX355MLF3W</a>	\$97,795	XN	3857	1.00	367	95.9	58.346	380-415/660-690//440-460	1;8;27
340	250	3000/3600	315L	<a href="#">E25036EP3YAX315LF3-W</a>	\$73,948	XN	3351	1.00	400	95.6	53.268	380-415/660-690//440-460	1;8;27
		3000/3600	355M/L	<a href="#">E25036EP3YAX355MLF3W</a>	\$82,191	XN	4275	1.00	392	96.4	55.591	380-415/660-690//440-460	1;8;27
		1500/1800	315L	<a href="#">E25018EP3YAX315LF3-W</a>	\$62,457	XN	3239	1.00	417	95.9	54.685	380-415/660-690//440-460	1;8;27
		1500/1800	315L	<a href="#">E25018ET3YAX315LF3-W</a>	\$76,550	XN	3307	1.00	424	96.4	54.685	380-415/660-690//440-460	1;8;27
		1500/1800	355M/L	<a href="#">E25018EP3YAX355MLF3W</a>	\$67,456	XN	3525	1.00	432	95.8	58.346	380-415/660-690//440-460	1;8;27
		1500/1800	355M/L	<a href="#">E25018ET3YAX355MLF3W</a>	\$83,195	XN	3702	1.00	424	96.4	58.346	380-415/660-690//440-460	1;8;27
		1000/1200	355M/L	<a href="#">E25012EP3YAX355MLF3W</a>	\$88,256	XN	4229	1.00	461	95.5	58.346	380-415/660-690//440-460	1;8;27
		1000/1200	355M/L	<a href="#">E25012ET3YAX355MLF3W</a>	\$111,338	XN	4320	1.00	464	96.0	58.346	380-415/660-690//440-460	1;8;27



# ATEX Motors

## EXPLOSION PROOF

### TEFC - db - IE3

- 50 Hz and 60 Hz rated (1.00 Service Factor)
- Class F insulation (impregnation resin and magnet wire are class H)
- F3 mounted as standard
- Stainless Steel Nameplate - Laser etched with high contrast background
- Regreasable ball bearings (Frames 225 and up)
- Gasketed conduit box
- Zone 1 and 2, Groups IIA and IIB, class of temperature T4
- Suitable for WYE/Delta Start
- Design N
- Conductive plastic fan (frames 63 up to 315)
- Aluminum fan (frame 355)
- Lip Seal on both endshields
- Thermistors 1 per phase
- IP56
- CT: 2:1
- VFD Suitable





## EXPLOSION PROOF

### TEFC – Ex db - IE3

HP	kW	RPM	Frame	Catalog Number	List Price	Mult. Symbol	Approx. Shipping Weight (lbs)	Service Factor	FL Amps @ High	FL Eff (%)	“C” Dimension (in)	Voltage (V)	Notes
1	0.75	3000//3600	80	E0.7536XT3WAX80F3-W2	\$1,432	XD	51	1	1.65	81.1	12.205	220-240/380-415//440-460	1,8;27
		1500//1800	80	E0.7518XT3WAX80F3-W2	\$1,450	XD	55	1	1.66	82.5	12.205	220-240/380-415//440-460	1,8;27
		1000//1200	90S/L	E0.7512XT3WAX90LF3-W	\$1,355	XD	103	1	1.91	79.1	15.118	220-240/380-415//440-460	1,8;27
1.5	1.1	3000//3600	80	E00136XT3WAX80F3-W2	\$1,489	XD	53	1	2.32	83.4	12.205	220-240/380-415//440-460	1,8;27
		1500//1800	90S/L	E00118XT3WAX90LF3-W	\$1,507	XD	100	1	2.34	84.8	15.118	220-240/380-415//440-460	1,8;27
		1000//1200	100L	E00112XT3WAX100LF3-W	\$1,794	XD	108	1	2.76	81.5	17.244	220-240/380-415//440-460	1,8;27
2	1.5	3000//3600	90S/L	E00156XT3WAX90SF3-W	\$1,549	XD	96	1	3.1	84.2	15.118	220-240/380-415//440-460	1,8;27
		1500//1800	90S/L	E00158XT3WAX90LF3-W	\$1,681	XD	106	1	3.16	85.7	15.118	220-240/380-415//440-460	1,8;27
		1000//1200	100L	E00152XT3WAX100LF3-W	\$1,985	XD	119	1	3.71	82.8	17.244	220-240/380-415//440-460	1,8;27
3	2.2	3000//3600	90S/L	E00236XT3WAX90LF3-W	\$1,733	XD	103	1	4.37	86.5	15.118	220-240/380-415//440-460	1,8;27
		1500//1800	100L	E00218XT3WAX100LF3-W	\$2,015	XD	115	1	4.56	87.2	17.244	220-240/380-415//440-460	1,8;27
		1000//1200	112M	E00212XT3YAX112MF3-W	\$2,305	XD	157	1	5.24	84.7	17.953	380-415/660-690//440-460	1,8;27
4	3	3000//3600	100L	E00336XT3WAX100LF3-W	\$2,167	XD	115	1	5.68	87.4	17.244	220-240/380-415//440-460	1,8;27
		1500//1800	100L	E00318XT3WAX100LF3-W	\$2,415	XD	136	1	6.07	88.1	17.244	220-240/380-415//440-460	1,8;27
		1000//1200	132S/M	E00312XT3YAX132SF3-W	\$3,643	XD	214	1	6.87	85.6	20.63	380-415/660-690//440-460	1,8;27
5.5	4	3000//3600	112M	E00436XT3YAX112MF3-W	\$2,728	XD	146	1	7.58	88.4	17.953	380-415/660-690//440-460	1,8;27
		1500//1800	112M	E00418XT3YAX112MF3-W	\$2,789	XD	157	1	8.35	88.9	17.953	380-415/660-690//440-460	1,8;27
		1000//1200	132S/M	E00412XT3YAX132MF3-W	\$4,076	XD	214	1	9.03	86.8	20.63	380-415/660-690//440-460	1,8;27
7.5	5.5	3000//3600	132S/M	E00536XT3YAX132SF3-W	\$3,484	XD	196	1	10.6	89.2	20.63	380-415/660-690//440-460	1,8;27
		1500//1800	132S/M	E00518XT3YAX132SF3-W	\$3,418	XD	207	1	10.4	89.8	20.63	380-415/660-690//440-460	1,8;27
		1000//1200	132S/M	E00512XT3YAX132MF3-W	\$4,294	XD	254	1	13	88	20.63	380-415/660-690//440-460	1,8;27
10	7.5	3000//3600	132S/M	E00736XT3YAX132SF3-W	\$4,018	XD	214	1	13.9	90.3	20.63	380-415/660-690//440-460	1,8;27
		1500//1800	132S/M	E00718XT3YAX132MF3-W	\$4,164	XD	225	1	13.9	90.4	20.63	380-415/660-690//440-460	1,8;27
		1000//1200	160M/L	E00712XT3YAX160MF3-W	\$5,669	XD	381	1	14.6	89.1	28.228	380-415/660-690//440-460	1,8;27
15	11	3000//3600	160M/L	E01136XT3YAX160MF3-W	\$4,687	XD	405	1	20.2	91.4	28.228	380-415/660-690//440-460	1,8;27
		1500//1800	160M/L	E01118XT3YAX160MF3-W	\$4,691	XD	388	1	20.7	91.4	28.228	380-415/660-690//440-460	1,8;27
		1000//1200	160M/L	E01112XT3YAX160LF3-W	\$5,968	XD	430	1	21.7	90.5	28.228	380-415/660-690//440-460	1,8;27
20	15	3000//3600	160M/L	E01536XT3YAX160MF3-W	\$5,564	XD	422	1	27.7	91.9	28.228	380-415/660-690//440-460	1,8;27
		1500//1800	160M/L	E01518XT3YAX160LF3-W	\$5,207	XD	441	1	28	92.1	28.228	380-415/660-690//440-460	1,8;27
		1000//1200	180M/L	E01512XT3YAX180LF3-W	\$7,273	XD	542	1	27.8	91.6	29.606	380-415/660-690//440-460	1,8;27
25	18.5	3000//3600	160M/L	E01836XT3YAX160LF3-W	\$6,684	XD	441	1	33.6	92.4	28.228	380-415/660-690//440-460	1,8;27
		1500//1800	180M/L	E01818XT3YAX180MF3-W	\$6,847	XD	542	1	34.7	92.6	29.606	380-415/660-690//440-460	1,8;27
		1000//1200	200M/L	E01812XT3YAX200LF3-W	\$9,468	XD	646	1	36.5	91.7	32.323	380-415/660-690//440-460	1,8;27
30	22	3000//3600	180M/L	E02236XT3YAX180MF3-W	\$8,022	XD	503	1	39.3	92.7	29.606	380-415/660-690//440-460	1,8;27
		1500//1800	180M/L	E02218XT3YAX180LF3-W	\$7,578	XD	562	1	40.6	93	29.606	380-415/660-690//440-460	1,8;27
		1000//1200	200M/L	E02212XT3YAX200LF3-W	\$10,720	XD	695	1	42	92.2	32.323	380-415/660-690//440-460	1,8;27
40	30	3000//3600	200M/L	E03036XT3YAX200LF3-W	\$9,971	XD	646	1	53.9	93.3	32.323	380-415/660-690//440-460	1,8;27
		1500//1800	200M/L	E03018XT3YAX200LF3-W	\$9,850	XD	695	1	56.4	93.6	32.323	380-415/660-690//440-460	1,8;27
		1000//1200	225S/M	E03012XT3YAX225SMF3W	\$14,618	XD	1138	1	54.7	93	37.441	380-415/660-690//440-460	1,8;27
50	37	3000//3600	200M/L	E03736XT3YAX200LF3-W	\$12,218	XD	670	1	67	93.7	32.323	380-415/660-690//440-460	1,8;27
		1500//1800	225S/M	E03718XT3YAX225SMF3W	\$12,542	XD	1087	1	66	93.9	37.441	380-415/660-690//440-460	1,8;27
		1000//1200	250S/M	E03712XT3YAX250SMF3W	\$17,149	XD	1363	1	65.5	93.5	39.724	380-415/660-690//440-460	1,8;27
60	45	3000//3600	225S/M	E04536XT3YAX225SMF3W	\$19,498	XD	1105	1	76.4	94.2	36.26	380-415/660-690//440-460	1,8;27
		1500//1800	225S/M	E04518XT3YAX225SMF3W	\$14,516	XD	1153	1	80.9	94.4	37.441	380-415/660-690//440-460	1,8;27
		1000//1200	280S/M	E04512XT3YAX280SMF3W	\$24,345	XD	1910	1	82.2	94	44.705	380-415/660-690//440-460	1,8;27

continued on next page

**TEFC – Ex db - IE3 - continued**

HP	kW	RPM	Frame	Catalog Number	List Price	Mult. Symbol	Approx. Shipping Weight (lbs)	Service Factor	FL Amps @ High	FL. Eff (%)	“C” Dimension (in)	Voltage (V)	Notes
75	55	3000//3600	250S/M	E05536XT3YAX250SMF3W	\$24,417	XD	1270	1	95.4	94.4	39.724	380-415/660-690//440-460	1;8;27
		1500//1800	250S/M	E05518XT3YAX250SMF3W	\$21,508	XD	1380	1	97.5	94.6	39.724	380-415/660-690//440-460	1;8;27
		1000//1200	280S/M	E05512XT3YAX280SMF3W	\$30,872	XD	2007	1	100	94.3	44.705	380-415/660-690//440-460	1;8;27
100	75	3000//3600	280S/M	E07536XT3YAX280SMF3W	\$34,180	XD	1910	1	126	94.9	44.705	380-415/660-690//440-460	1;8;27
		1500//1800	280S/M	E07518XT3YAX280SMF3W	\$27,104	XD	2040	1	134	95.2	44.705	380-415/660-690//440-460	1;8;27
		1000//1200	315S/M	E07512XT3YAX315SMF3W	\$35,180	XD	2518	1	137	95	51.654	380-415/660-690//440-460	1;8;27
125	90	3000//3600	280S/M	E09036XT3YAX280SMF3W	\$40,751	XD	2040	1	149	95.2	44.705	380-415/660-690//440-460	1;8;27
		1500//1800	280S/M	E09018XT3YAX280SMF3W	\$37,526	XD	2137	1	158	95.4	44.705	380-415/660-690//440-460	1;8;27
		1000//1200	315S/M	E09012XT3YAX315SMF3W	\$45,340	XD	2743	1	162	95.2	51.654	380-415/660-690//440-460	1;8;27
150	110	3000//3600	315S/M	E11036XT3YAX315SMF3W	\$48,322	XD	2443	1	187	95.4	50.472	380-415/660-690//440-460	1;8;27
		1500//1800	315S/M	E11018XT3YAX315SMF3W	\$42,766	XD	2593	1	189	95.5	51.654	380-415/660-690//440-460	1;8;27
		1000//1200	315S/M	E11012XT3YAX315SMF3W	\$54,984	XD	2893	1	196	95.1	51.654	380-415/660-690//440-460	1;8;27
175	132	3000//3600	315S/M	E13236XT3YAX315SMF3W	\$61,092	XD	2593	1	218	95.6	50.472	380-415/660-690//440-460	1;8;27
		1500//1800	315S/M	E13218XT3YAX315SMF3W	\$51,911	XD	2781	1	226	95.6	51.654	380-415/660-690//440-460	1;8;27
		1000//1200	315S/M	E13212XT3YAX315SMF3W	\$93,051	XD	3118	1	240	95.6	51.654	380-415/660-690//440-460	1;8;27
220	160	3000//3600	315S/M	E16036XT3YAX315SMF3W	\$76,056	XD	2743	1	264	95.8	50.472	380-415/660-690//440-460	1;8;27
		1500//1800	315S/M	E16018XT3YAX315SMF3W	\$56,646	XD	2968	1	273	95.8	51.654	380-415/660-690//440-460	1;8;27
		1000//1200	315L	E16012XT3YAX315LF3-W	\$101,880	XD	3473	1	287	95.8	55.984	380-415/660-690//440-460	1;8;27
270	200	3000//3600	315L	E20036XT3YAX315LF3-W	\$114,087	XD	3058	1	326	95.8	54.803	380-415/660-690//440-460	1;8;27
		1500//1800	315L	E20018XT3YAX315LF3-W	\$91,423	XD	3303	1	333	96.1	55.984	380-415/660-690//440-460	1;8;27
		1000//1200	355M/L	E20012XT3YAX355MLF3W	\$124,447	XD	4567	1	367	95.9	61.358	380-415/660-690//440-460	1;8;27
340	250	3000//3600	315L	E25036XT3YAX315LF3-W	\$125,854	XD	3477	1	398	96	54.803	380-415/660-690//440-460	1;8;27
		1500//1800	315L	E25018XT3YAX315LF3-W	\$107,240	XD	3616	1	424	96.4	55.984	380-415/660-690//440-460	1;8;27
		1000//1200	355M/L	E25012XT3YAX355MLF3W	\$150,638	XD	5263	1	464	96	61.358	380-415/660-690//440-460	1;8;27
430	315	1500//1800	355M/L	E31518XT3YAX355MLF3W	\$122,650	XD	4939	1	543	96	61.358	380-415/660-690//440-460	1;8;27

Please refer to back cover for description of “NOTES”

 For detailed specifications, data sheets, drawings and performance curves visit <http://www.weg.net>

Data subject to change without notice.

Can't find what you are looking for? Call 1-800-ASK-4WEG (275-4934)

**A-259**

## Farm Duty Motors

TEFC – Single-Phase – General Purpose – Foot Mount . . . . .	A-262
TEFC – Single-Phase – Auger Drive – Footless . . . . .	A-263
TEAO – Single-Phase – Poultry Fan – Foot Mount . . . . .	A-263
TEAO – Single-Phase – Poultry Fan – Resilient Base . . . . .	A-263
PSC Direct Drive . . . . .	A-263
TEAO – Three-Phase – Grain Dryer/Vane Axial Fan . . . . .	A-264
TEAO – Single-Phase – Grain Dryer/Vane Axial Fan . . . . .	A-264
TEAO – Single-Phase – Aeration Fan . . . . .	A-264
TEAO – Three-Phase – Aeration Fan . . . . .	A-264
TEFC – Single-Phase – C-Face - Foot Mount - Irrigation Duty . . . . .	A-265
TEFC – Three-Phase – C-Face - Foot Mount - Irrigation Duty . . . . .	A-265
Irrigation Drive Motors . . . . .	A-266
Jet End Booster Pump Motors . . . . .	A-266



# Farm Duty Motors

WEG offers a complete line of TEFC Farm Duty motors providing high starting torque for the most demanding applications. Standard features such as v-rings provide versatility for indoor and outdoor applications. Overload protection available in all frames protects the motor from extreme overloads and offers maximum safety to operators.

## General Purpose - TEFC

- Double shielded ball bearings
- Insulation class F with class B temperature rise
- Start and run capacitor on 1.5 HP and up
- High starting Torque
- Manual Reset Thermal Overload Protector

## Auger Drive - TEFC

- Double shielded ball bearings
- Two bolts mounting NEMA 'N' flange
- Extended shaft (NDE) with wrench flat for manual jogging of auger
- Centrifugal start switch protected against auger drive overspeed
- Manual Reset Thermal Overload Protector

## Poultry Fan - TEAO

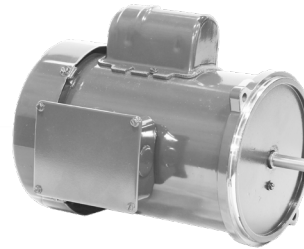
- Double shielded ball bearings
- Insulation class B
- Automatic Reset Thermal Overload Protector



Rolled Steel



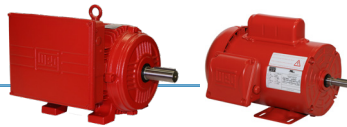
Cast Iron



Auger Drive

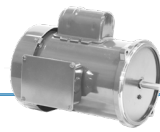


Poultry Fan



## TEFC – Single-Phase – General Purpose – Foot Mount

HP	kW	RPM	Frame	Catalog Number	List Price	Mult. Symbol	Approx. Shipping Weight (lbs)	Service Factor	FL Amps @ High	FL. Eff (%)	“C” Dimension (in)	oltage ()	Notes
0.33	0.25	1800	W56	.3318ES1RFDW56-S	\$284	R1	22	1.15	3.00	61.0	11.500	115/230	4;9
0.5	0.37	1800	W56	.5018ES1RFDW56-S	\$308	R1	25	1.15	4.00	64.0	11.894	115/230	4;9
0.75	0.55	1800	56	.7518ES1RFD56-S	\$357	R1	34	1.15	5.30	68.5	13.114	115/230	4;9
1	0.75	1800	56	00118ES1RFD56-S	\$394	R1	40	1.15	6.80	71.0	13.902	115/230	4;9
		1800	143/5T	00118ES1RFD143T-S	\$400	R1	40	1.15	6.80	71.0	13.969	115/230	4;9
1.5	1.1	1800	56H	00158ES1RFD56H-S	\$502	R1	51	1.15	7.48	77.0	15.083	115/230	4;9
		1800	143/5T	00158ES1RFD145T-S	\$504	R1	50	1.15	7.48	77.0	15.152	115/230	4;9
2	1.5	1800	56H	00218ES1RFD56H-S	\$529	R1	56	1.15	10.0	78.5	15.870	115/230	4;9
		1800	143/5T	00218ES1RFD145T-S	\$578	R1	57	1.15	10.0	78.5	15.938	115/230	4;9
		1800	182/4T	00218ES1RFD184T-S	\$790	R1	45	1.15	9.96	72%	19.094	230	4; 9
		1800	182/4T	00218ES1RFD182T-W22	\$790	R1	85	1.15	8.40	80.0	17.012	115/230	4;39
3	2.2	1800	182/4T	00318ES1DFD182T-S	\$915	R1	47	1.15	11.9	75%	19.094	230	4; 9
		1800	182/4T	00318ES1DFD184T-W22	\$915	R1	104	1.15	13.8	77.0	17.012	230	4;39
5	3.7	1800	182/4T	00518ES1DFD184T-S	\$1,074	R1	55	1.15	19.9	93%	19.882	230	4; 9
		1800	213/5T	00518ES1DFD215T-S	\$1,205	R1	79	1.15	20.2	87%	22.441	230	4; 9
		1800	182/4T	00518ES1DFD184T-W22	\$1,074	R1	117	1.15	21.4	80.0	17.012	230	4;39
		1800	213/5T	00518ES1DFD215T-W22	\$1,205	R1	146	1.15	21.3	80.5	19.462	230	4;39
		1800	213/5TZ	00518ES1DFD215Z-W22	\$1,205	R1	146	1.15	21.3	80.5	19.462	230	4;39
7.5	5.5	1800	213/5T	00718ES1DFD213T-S	\$1,463	R1	82	1.15	28.8	95%	22.441	230	4; 9
		1800	213/5T	00718ES1DFD215T-W22	\$1,463	R1	176	1.15	31.7	83.0	19.462	230	4;39
		1800	213/5TZ	00718ES1DFD215Z-W22	\$1,463	R1	176	1.15	31.7	83.0	19.462	230	4;39
10	7.5	1800	213/5T	01018ES1DFD215T-S	\$1,692	R1	85	1.15	39.1	97%	22.441	230	4; 9
		1800	213/5T	01018ES1DFD215T-W22	\$1,692	R1	194	1.15	40.9	84.0	19.462	230	4;39
12.5	9.2	1800	213/5T	01218ES1DFD215T-W22	\$1,889	R1	205	1.15	27.2	82.5	19.462	208-230/460	4;39



## TEFC – Single-Phase – Auger Drive – Footless

HP	kW	RPM	Frame	Catalog Number	List Price	Mult. Symbol	Approx. Shipping Weight (lbs)	Service Factor	FL Amps @ High	FL. Eff (%)	“C” Dimension (in)	Voltage (V)	Notes
0.33	0.25	1800	56NZ	.3318ES1RAD56NZ	\$363	A1	28	1.00	3.0	60.0	10.200	115/230	4;9;20;40
0.50	0.37	1800	56NZ	.5018ES1RAD56NZ	\$409	A1	30	1.00	3.6	70.0	11.200	115/230	4;9;20;40
0.75	0.55	1800	56NZ	.7518ES1RAD56NZ	\$447	A1	34	1.00	4.6	74.0	11.700	115/230	4;9;20;40
1	0.75	1800	56N	00118ES1RAD56N	\$481	A1	35	1.00	7.0	74.0	12.480	115/230	4;9;20;40
1.5	1.1	1800	56N	00158ES1RAD56N	\$597	A1	40	1.00	7.7	80.0	12.870	115/230	4;9;20;40



## TEAO – Single-Phase – Poultry Fan – Foot Mount

HP	kW	RPM	Frame	Catalog Number	List Price	Mult. Symbol	Approx. Shipping Weight (lbs)	Service Factor	FL Amps @ High	FL. Eff (%)	“C” Dimension (in)	Voltage (V)	Notes
0.33	0.25	1800	48	.3318AS1BPF48-S	\$311	G1	22	1.25	2.76	61.5	10.157	115/208-230	3;9;16
0.5	0.37	1800	W56	.5018AS1BPFW56-S	\$336	G1	27	1.25	4.20	65.0	11.102	115/208-230	3;9;16
0.75	0.55	1800	56	.7518AS1BPF56-S	\$385	G1	26	1.25	5.30	68.5	11.496	115/208-230	3;9
1	0.75	1800	56	00118AS1BPF56-S	\$410	G1	35	1.15	7.00	72.0	12.992	115/208-230	3;9
	0.75	1800	56	00118AS1BPFH56-S	\$445	G1	32	1.40	6.20	73.0	13.464	115/208-230	3;9
1.5	1.10	1800	56	00158AS1BPF56-S	\$458	G1	33	1.15	7.48	77.0	13.464	115/208-230	3;9
	1.10	1800	56	00158AS1BPFH56-S	\$484	G1	34	1.30	8.74	76.0	13.858	115/208-230	3;9
2	1.5	1800	143/5T	00218AS1BPF145T-S	\$548	G1	54	1.15	10.0	78.5%	14.516	115/208-230	3;9



## TEAO – Single-Phase – Poultry Fan – Resilient Base

HP	kW	RPM	Frame	Catalog Number	List Price	Mult. Symbol	Approx. Shipping Weight (lbs)	Service Factor	FL Amps @ High	FL. Eff (%)	“C” Dimension (in)	Voltage (V)	Notes
0.33	0.25	1800	48	.3318AS1BRBPF48-S	\$325	G1	20	1.25	2.76	61.5	10.157	115/208-230	3;9;16
0.5	0.37	1800	W56	.5018AS1BRBPFW56-S	\$350	G1	21	1.25	3.48	66.0	11.318	115/208-230	3;9;16
0.75	0.55	1800	56	.7518AS1BRBPF56-S	\$400	G1	26	1.25	5.63	68.5	12.008	115/208-230	3;9
1	0.75	1800	56	00118AS1BRBPF56-S	\$435	G1	35	1.15	7.00	72.0	12.992	115/208-230	3;9
1.5	1.10	1800	56	00158AS1BRBPF56-S	\$477	G1	35	1.15	7.48	77	13.976	115/208-230	3;9



## PSC Direct Drive Fan Motors - Single Phase - TEAO - Extended Through-Bolts

HP	kW	RPM	Frame	Catalog Number	List Price	Mult. Symbol	Approx. Shipping Weight (lbs)	Service Factor	FL Amps @ High	FL. Eff (%)	“C” Dimension (in)	Voltage (V)	Notes
0.33	0.25	1800	48Z	.3318AS1BPFPC48Z-S	\$287	G1	20	1.25	1.83	62	10.554	115/208-230	3;9
		1200	48Z	.3312AS1BPFPC48Z-S	\$322	G1	22	1.25	1.88	61	11.735	115/208-230	3;9

Please refer to back cover for description of “NOTES”

For detailed specifications, data sheets, drawings and performance curves visit <http://www.weg.net>

Data subject to change without notice.

Can't find what you are looking for? Call 1-800-ASK-4WEG (275-4934)



## TEAO – Three-Phase – Grain Dryer/Vane Axial Fan

HP	kW	RPM	Frame	Catalog Number	List Price	Mult. Symbol	Approx. Shipping Weight (lbs)	Service Factor	FL Amps @ High	FL Eff (%)	“C” Dimension (in)	Voltage (V)	Notes
1.5-3	1.1-2.2	3600	143/5TZ	00336AP3EGD145TZ-S	\$750	GD3	39	1.00	2.41	79.7	12.795	230/460	1,9;38
3-4.5	2.2-3.4	3600	143/5TZ	00456AP3EGD145TZ-S	\$795	GD3	45	1.00	4.01	83.8	13.582	230/460	1,9;38
		3600	182/4Z	00456AP3EGD182Z-S	\$827	GD3	59	1.00	4.27	86.2	14.601	230/460	1,9;38
5-7.5	3.7-5.5	3600	182/4TZ	00736AP3EGD184TZ-S	\$933	GD3	77	1.00	6.45	87.8	16.338	230/460	1,9;38
7.5-10	5.5-7.5	3600	182/4TZ	01036AP3EGD184TZ-S	\$1,123	GD3	91	1.00	9.04	89.8	17.913	230/460	1,9;38
10-15	7.5-11	3600	213/5TZ	01536AP3EGD215TZ-S	\$1,408	GD3	147	1.00	12.20	92.5	17.912	230/460	1,9;38



## TEAO - Single-Phase - Grain Dryer

HP	RPM	NEMA Frame	Catalog Number	List Price	Mult. Symbol	FL Amps @ High	FL Eff. (%)	“C”Dim. (in)	Voltage (V)	Notes
1.5-3	3600	145TZ	00336AP1DGD145TZ-S	\$910	GD1	7.51	73.2	13.555	230	1,9;38
3-4.5	3600	145TZ	00456AP1DGD145TZ-S	\$1,025	GD1	11.8	82.4	15.130	230	1,9;38
5-7.5	3600	182TZ	00736AP1DGD182TZ-S	\$1,296	GD1	19.8	82.9	17.070	230	1,9;38
7.5-10	3600	182TZ	01036AP1DGD182TZ-S	\$1,338	GD1	27.2	87.8	17.858	230	1,9;38
10-15	3600	215TZ	01536AP1DGD215TZ-S	\$2,024	GD1	37.8	88.0	19.720	230	1,9;38



## TEAO – Single-Phase – Aeration Fan

HP	kW	RPM	Frame	Catalog Number	List Price	Mult. Symbol	Approx. Shipping Weight (lbs)	Service Factor	FL Amps @ High	FL Eff (%)	“C” Dimension (in)	Voltage (V)	Notes
0.75	0.55	3600	56Z	.7536AS1RAF56Z-S	\$395	R1	27	1.15	4.00	66.0	11.201	115/230	3;9;38
1	0.75	3600	56Z	00136AS1RAF56Z-S	\$459	R1	31	1.15	5.10	70.0	11.594	115/230	3;9;38
1.5	1.1	3600	56Z	00156AS1RAF56Z-S	\$601	R1	36	1.15	6.60	75.0	12.382	115/230	3;9;38
		3600	143/5TZ	00156AS1RAF143TZ-S	\$643	R1	41	1.15	6.60	75.0	12.413	115/230	3;9;38
2	1.5	3600	143/5TZ	00236AS1RAF143TZ-S	\$783	R1	46	1.15	8.70	77.0	12.807	115/230	3;9;38
3	2.2	3600	143/5TZ	00336AS1RAF145TZ-S	\$818	R1	53	1.15	12.7	80.0	13.988	115/230	3;9;38



## TEAO – Three-Phase – Aeration Fan

HP	kW	RPM	Frame	Catalog Number	List Price	Mult. Symbol	Approx. Shipping Weight (lbs)	Service Factor	FL Amps @ High	FL Eff (%)	“C” Dimension (in)	Voltage (V)	Notes
0.75	0.55	3600	56Z	.7536AS3EAF56Z-S	\$402	R1	23	1.25	1.13	72.0	10.380	208-230/460	9;38
1	0.75	3600	56Z	00136AS3EAF56Z-S	\$435	R1	26	1.25	1.51	74.0	10.380	208-230/460	9;38
1.5	1.1	3600	143/5TZ	00156AP3EAF143TZ-S	\$498	R1	33	1.15	1.90	82.5	11.624	230/460	9;38
2	1.5	3600	143/5TZ	00236AP3EAF143TZ-S	\$578	R1	38	1.15	2.55	82.5	12.018	230/460	9;38
3	2.2	3600	143/5TZ	00336AP3EAF145TZ-S	\$659	R1	45	1.15	3.55	85.5	12.805	230/460	9;38

Please refer to back cover for description of “NOTES”

For detailed specifications, data sheets, drawings and performance curves visit <http://www.weg.net>



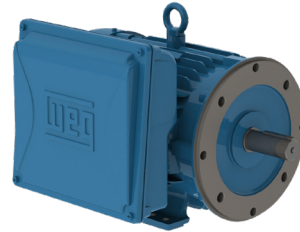
## IRRIGATION DUTY MOTORS

### TEFC

High Starting Torque makes these motors ideal for a wide range of applications.

#### Feature that makes a difference:

- Constructed with Metal Fan



#### Standard Features:

- Shielded Ball bearings
- Class F insulation (impregnation resin and magnet wire are class H)
- Gasketed Conduit Box

### TEFC – Single-Phase – C-Face – Foot Mount

HP	kW	RPM	Frame	Catalog Number	List Price	Mult. Symbol	Approx. Shipping Weight (lbs)	Service Factor	FL Amps @ High	FL. Eff (%)	“C” Dimension (in)	Voltage (V)	Notes
5	3.7	1800	182/4TC	00518ES1EID184TC-W22	\$1,153	W1	121	1.15	10.7	80.0	17.012	208-230/460	11
7.5	5.5	1800	213/5TC	00718ES1EID215TC-W22	\$1,471	W1	179	1.15	15.0	83.0	19.462	208-230/460	11
10	7.5	1800	213/5TC	01018ES1EID215TC-W22	\$1,694	W1	196	1.15	20.4	84.0	19.462	208-230/460	11
12.5	9.2	1800	213/5TC	01218ES1EID215TC-W22	\$1,888	W1	209	1.15	27.2	82.5	19.462	208-230/460	11

### W22 - Cast Iron

#### Standard Features:

- 50/60 Hz rated (380V on nameplate - 400/415V available)
- Rated 50Hz at same horsepower 1.0 Service Factor
- Class F insulation (impregnation resin and magnet wire are class H)
- F1 mount (field convertible to F2)
- Regreasable ball bearings (frames 254T and up)
- Gasketed conduit box

#### Feature that makes a difference:

- Constructed with Metal Fan

### TEFC – Three-Phase – C-Face – Foot Mount

HP	kW	RPM	Frame	Catalog Number	List Price	Mult. Symbol	Approx. Shipping Weight (lbs)	Service Factor	FL Amps @ High	FL. Eff (%)	“C” Dimension (in)	Voltage (V)	Notes
5	3.7	1800	182/4TC	00518ET3EID184TC-W22	\$860	N1	110	1.25	6.45	89.5	15.860	230/460	11
7.5	5.5	1800	213/5TC	00718ET3EID213TC-W22	\$1,202	N1	180	1.25	9.18	91.7	19.517	230/460	11
10	7.5	1800	213/5TC	01018ET3EID215TC-W22	\$1,386	N1	194	1.25	12.4	91.7	19.517	230/460	11
15	11	1800	254/6TC	01518ET3EID254TC-W22	\$1,996	N1	353	1.25	18.0	92.4	24.945	230/460	11
20	15	1800	254/6TC	02018ET3EID256TC-W22	\$2,349	N1	403	1.25	24.1	93.0	24.945	230/460	11
25	18.5	1800	284/6TC	02518ET3EID284TC-W22	\$2,947	N1	451	1.25	29.5	93.6	27.929	230/460	11;51

Please refer to back cover for description of “NOTES”

For detailed specifications, data sheets, drawings and performance curves visit <http://www.weg.net>

Data subject to change without notice.

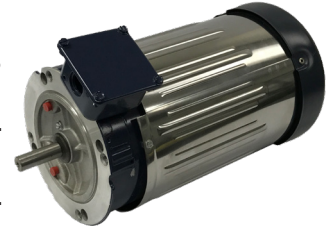
Can't find what you are looking for? Call 1-800-ASK-4WEG (275-4934)

A-265

## IRRIGATION DUTY MOTORS

### Irrigation Drive Motors

These drive motors for center pivot and linear travel irrigation towers have been used on OEM equipment for decades. Its unique design offers a stainless steel rain shield for extra protection against water and other elements typically present in an agricultural environment. These motors are rated for 50°C ambient, making it the best for this application. Also featuring double sealed ball bearings, an automatic reset thermal overload protector, corrosion resistant phosphate shaft coating and a gasketed conduit box.



HP	kW	RPM	Frame	Catalog Number	List Price	Mult. Symbol	Approx. Shipping Weight (lbs)	Service Factor	FL Amps @ High	FL. Eff (%)	"C" Dimension (in)	Voltage (V)	Notes
1	.75	1800	56C	<a href="#">1311731426</a>	<b>\$803</b>	A1	31	1.00	1.40	85.5	14.580	460	3;9;15;42;45
1.5	1.1	1800	56C	<a href="#">1312200400</a>	<b>\$879</b>	A1	38	1.00	2.00	86.5	14.580	460	3;9;15;42;45

### Jet End Booster Pump Motor

The Jet End Booster Pump Motor is perfect for irrigation systems. The solution includes a stainless steel rain shield and canopy for vertical application, a fully gasketed conduit box, an automatic reset thermal overload protection, and stainless steel shaft end.



HP	kW	RPM	Frame	Catalog Number	List Price	Mult. Symbol	Approx. Shipping Weight (lbs)	Service Factor	FL Amps @ High	FL. Eff (%)	"C" Dimension (in)	Voltage (V)	Notes
2	1.5	3600	56J	<a href="#">1313171403</a>	<b>\$837</b>	A1	43	1.50	2.80	85.5	14.220	460	3;9;15
		3600	56CZ	<a href="#">1313007404</a>	<b>\$851</b>	A1	43	1.50	2.80	85.5	14.490	460	3;9;15;46

## VECTOR DUTY MOTORS

TENV – Three-Phase – Foot Mount – Double C-Face . . . . . A-268

## OIL WELL PUMPING – TEFC

TEFC – Three-Phase – NEMA Design ‘D’ . . . . . A-270

## COMPRESSOR DUTY MOTORS

ODP – Single-Phase – Foot Mount . . . . . A-272

ODP – Three-Phase – Foot Mount – NEMA Premium® . . . . . A-273

## REFRIGERATION MOTORS

Foot Mount . . . . . A-275

Foot Mount - RFVFD Models with Aegis Rings . . . . . A-275

Foot Mount - C-Face . . . . . A-275

## HYDRAULIC PUMP MOTORS

TEFC – Three-Phase – SAE-A – High Efficiency . . . . . A-276

## BRAKE MOTORS

TEFC – Foot Mount - Cast Iron . . . . . A-278

TEFC – Foot Mount - Rolled Steel . . . . . A-280

TEFC – C-Face – Foot Mount - Rolled Steel . . . . . A-281

TEFC – C-Face – Footless - Rolled Steel . . . . . A-281

## SAW ARBOR MOTORS

TEFC – Three-Phase – Right-Hand Thread . . . . . A-282

TEFC – Three-Phase – Left-Hand Thread . . . . . A-282

## SOOT BLOWER MOTORS

TEFC – C-Face – Footless . . . . . A-283

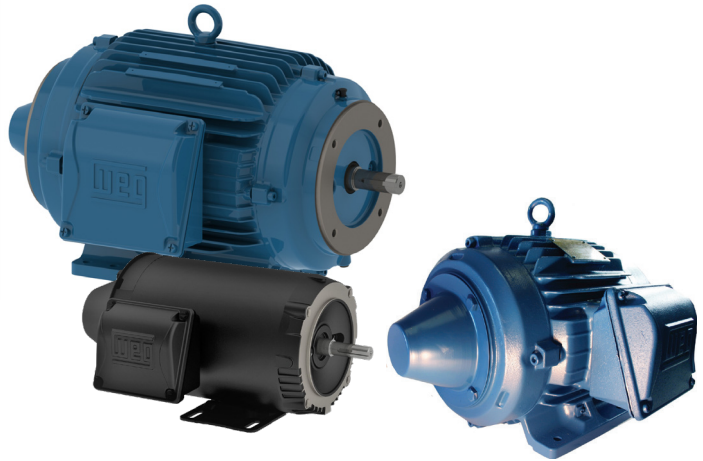
# Definite Purpose Motors

## VECTOR DUTY MOTORS

### TENV - Three-Phase - Foot Mount - Double C-Face

Designed specifically for inverter operation for applications requiring 1000:1 constant torque turndown ratio

- Class H insulation with Spike resistant Magnet wire and Class F Rise
- NEMA design B
- F1 Mounted (F2 convertible)
- Stainless Steel Nameplate - Laser etched with high contrast background
- Gasketed conduit box



#### Features that make a difference:

- Constant torque operation from 0 to base speed (1000:1) on PWM Vector Drive
- Constant Horsepower operation up to 150% base speed
- Ready for encoder mount
- With thermostats (1 per phase)
- Special nameplate data for easy drive set-up
- Ready for C-face brake, limited to 10 lb-ft braking torque

**Inverter Rated:  
1000 : 1 for constant torque**

### TENV – Three-Phase – Foot Mount – Double C-Face

HP	kW	RPM	Frame	Catalog Number	List Price	Mult. Symbol	Approx. Shipping Weight (lbs)	Service Factor	FL Amps @ High	FL. Eff (%)	“C” Dimension (in)	Voltage (V)	Notes
0.5	0.37	1800	56	.5018NT3FVD56C-S	\$599	F1	28	1.0	1.0	78.5	10.803	230/460V	17
0.75	0.55	1800	56	.7518NT3FVD56C-S	\$636	F1	31	1.0	1.3	81.5	11.197	230/460V	17
1	0.75	1800	56	00118NT3FVD56C-S	\$681	F1	38	1.0	1.5	85.5	14.788	230/460V	17
1	0.75	1800	143/5TC	00118NT3FVD143TC-W22	\$697	D1	51	1.00	1.41	85.5	14.678	230/460	17;19
1.5	1.1	1800	143/5TC	00158NT3FVD145TC-W22	\$705	D1	60	1.00	2.00	86.5	14.678	230/460	17;19
2	1.5	1800	143/5TC	00218NT3FVD145TC-W22	\$928	D1	62	1.00	2.65	86.5	14.678	230/460	17;19
3	2.2	1800	182/4TC	00318NT3FVD182TC-W22	\$1,150	D1	107	1.00	3.91	89.5	16.569	230/460	17;19
5	3.7	1800	182/4TC	00518NT3FVD184TC-W22	\$1,373	D1	116	1.00	7.11	89.5	16.569	230/460	17;19;37
7.5	5.5	1800	213/5TC	00718NT3FVD213TC-W22	\$1,803	D1	173	1.00	9.07	91.7	20.041	230/460	17;19
10	7.5	1800	213/5TC	01018NT3FVD215TC-W22	\$2,157	D1	207	1.00	13.3	91.7	20.041	230/460	17;19;37
15	11	1800	254/6TC	01518NT3FVD254TC-W22	\$2,567	D1	365	1.00	19.4	92.4	25.569	230/460	17;19
20	15	1800	254/6TC	02018NT3FVD256TC-W22	\$3,747	D1	398	1.00	26.6	93.0	25.569	230/460	17;19;37



# System Drive VFD AC Motors

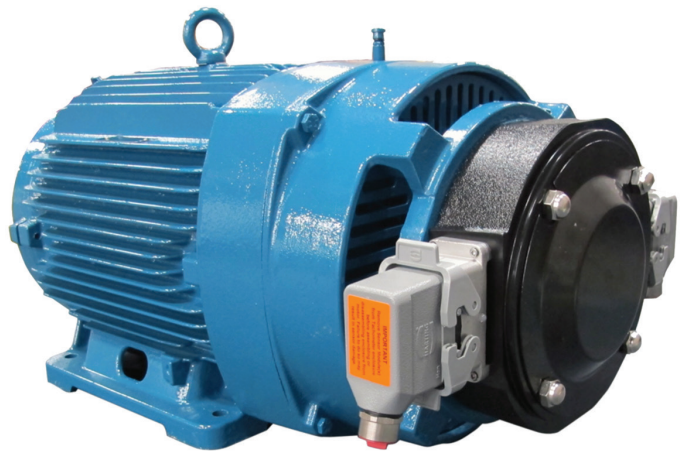
1HP – 1500HP TEFC

The WEG Systems Drive VFD AC motor raises the bar for customers who demand the best. Benefits such as very high overload and expanded speed range capabilities increase the value of the product for many variable speed applications.

The designs are based on the W22 and H-Line Severe Duty motor platforms for outstanding reliability.

## What makes this a Systems Drive Motor

- Constant torque capability to zero speed in standard NEMA frame size TEFC motor
- High torque designs for wide constant HP capability
- High short term overload capacities can exceed 200%
- 3 NC thermostats on winding
- Drive end shaft grounding available (standard 447T and larger )
- Insulated opposite drive end bearings available (standard 447T and larger)
- Very low noise
- Class I and Class II Division 2 up to 20:1CT to 449T frame (certification on larger ratings upon request)
- VFD rated insulation system exceeds requirements of NEMA MG1 Part 31 standard
- Custom designs for non-standard base speeds/frequencies (i.e. 600RPM base speed with 6-pole design) to replace many DC motor applications without gearing change



## What makes this a WEG Motor

- Rugged FC200 high strength cast iron construction
- Paint system exceeds 200 hour salt spray test per ASTM B117
- PPLS – Positive Pressure Lubrication System
- All Silicon C4 coated lamination steel for reliability and repairability\* – withstands burnout temperatures of 500C(935F) without loss of insulating properties. This allows the motor to be rewound back to the original efficiency
- Class F insulation system with mostly Class H components for long life
- Stainless steel nameplate

### Features:

- 1000:1 Constant Torque
- Powerful
- Reliable
- Flexible

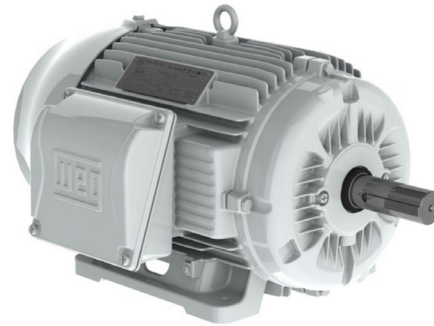
Please contact your authorized WEG distributor or go to [www.weg.net](http://www.weg.net) for further information or additional specifications. **1-800-ASK-4WEG**

# Definite Purpose Motors

## OIL WELL PUMPING

### TEFC

These special motors have the high slip and high torque that oil well beam pumping units demand.



TEFC

### Standard Features:

- Regreasable Bearings (Frames 254T and up)
- NEMA design D (5-8% slip)
- Class F insulation (Impregnation Resin and magnet Wire are class H)
- F2 Mounted (Cast Iron frames are F1 convertible).
- Stainless Steel Nameplate - Laser etched with High contrast background (Cast Iron Frames only)
- Gasketed conduit box
- Class I, Div. 2, Groups A, B, C & D – T3, Class II, Div 2, Groups F & G – T3C

### Features that make a difference:

- High starting and breakdown torque (NEMA Design D)
- Roller bearings for frames 404T and up

### TEFC – Three-Phase – NEMA Design ‘D’

HP	kW	RPM	Frame	Catalog Number	List Price	Mult. Symbol	Approx. Shipping Weight (lbs)	Service Factor	FL Amps @ High	FL. Eff (%)	“C” Dimension (in)	Voltage (V)	Notes
3	2.2	1200	213/5T	00312ES3E0W215T-W22	\$1,027	P1E	147	1.15	4.98	74.0	19.517	208-230/460	7
5	3.7	1200	213/5T	00512ES3E0W215T-W22	\$1,170	P1E	185	1.15	7.73	77.0	19.517	208-230/460	7;51
		900	254/6T	00509ES3E0W256T-W22	\$2,242	P1E	301	1.15	7.27	77.0	24.945	208-230/460	7
7.5	5.5	1200	254/6T	00712ES3E0W254T-W22	\$1,688	P1E	289	1.15	9.40	82.5	24.945	208-230/460	7
10	7.5	1200	254/6T	01012ES3E0W256T-W22	\$2,070	P1E	346	1.15	12.7	82.5	24.945	208-230/460	7
		900	284/6T	01009ES3E0W286T-W22	\$3,437	P1E	400	1.15	13.7	82.5	27.929	208-230/460	7;51
15	11	1200	284/6T	01512ES3E0W284T-W22	\$2,679	P1E	447	1.15	18.3	85.5	27.929	208-230/460	7
		900	324/6T	01509ES3E0W324T-W22	\$4,293	P1E	577	1.15	21.8	85.5	31.116	208-230/460	7
20	15	1200	284/6T	02012ES3E0W286T-W22	\$3,162	P1E	488	1.15	24.2	86.5	27.929	208-230/460	7
		900	324/6T	02009ES3E0W326T-W22	\$4,872	P1E	629	1.15	29.8	85.5	31.116	208-230/460	7
25	18.5	1200	324/6T	02512ES3E0W324T-W22	\$3,887	P1E	598	1.15	31.2	88.5	31.116	208-230/460	7;51
30	22	1200	324/6T	03012ES3E0W326T-W22	\$4,515	P1E	632	1.15	37.1	88.5	31.116	208-230/460	7
40	30	1200	364/5T	04012ES3E0W365T-W22	\$6,290	P1E	1002	1.15	48.9	87.5	34.251	208-230/460	7
50	37	1200	404/5T	05012ES3E0W404T-W22	\$8,172	P1E	1299	1.15	59.2	88.1	39.730	208-230/460	7;14
60	45	1200	404/5T	06012ES3E0W405T-W22	\$9,414	P1E	1252	1.15	71.3	89.0	39.730	208-230/460	7;14
75	55	1200	444/5T	07512ES3E0W444T-W22	\$14,976	P1E	1856	1.15	91.8	89.5	44.950	208-230/460	7;14
100	75	1200	444/5T	10012ES3E0W445T-W22	\$18,074	P1E	2222	1.15	121	90.2	44.950	208-230/460	7;14

# Definite Purpose Motors

## COMPRESSOR DUTY MOTORS

### ODP - Foot Mount

These high quality motors are designed to meet the high torque requirements of air compressor loads. Special electrical and mechanical design guarantees reliable service and longer motor life.

#### Single-Phase

- Class B insulation
- Start Capacitor
- Ball bearings
- Manual Reset Thermal Overload Protection
- High starting torque
- Rolled Steel frames have the base seam-welded to the frame for heavy duty use

#### Three-Phase

- Class F insulation (Impregnation Resin and Magnet wire are class H)
- Class B Rise at 1.15 Service Factor
- F1 Mounted (Cast Iron Frame motors are F2 convertible)
- Stainless Steel Nameplate - Laser etched with high contrast background (Cast Iron Frames only)
- Cast Iron Frames: Regreasable ball bearings
- Rolled Steel Frames: Permanently Lubricated ZZ ball bearings



Single Phase



Three Phase



# Definite Purpose Motors



## COMPRESSOR DUTY MOTORS

### ODP – Single-Phase – Foot Mount

HP	kW	RPM	Frame	Catalog Number	List Price	Mult. Symbol	Approx. Shipping Weight (lbs)	Service Factor	FL Amps @ High	FL. Eff (%)	“C” Dimension (in)	Voltage (V)	Notes
0.5	0.37	3600	W56	.50360S1BCDW56-S	\$224	C1S	28	1.00	3.10	63.0	9.866	115/208-230	1;4;6;9
0.75	0.55	3600	W56	.75360S1BCDW56-S	\$237	C1S	22	1.00	4.30	68.5	10.260	115/208-230	1;4;6;9
1	0.75	3600	56	001360S1BCD56-S	\$278	C1S	36	1.00	6.60	67.0	11.102	115/208-230	1;4;6;9
1.5	1.1	3600	56	001560S1BCD56-S	\$311	C1S	40	1.00	8.70	68.0	11.496	115/208-230	1;4;6;9
2	1.5	3600	56H	002360S1BCD56-S	\$372	C1S	34	1.00	8.90	70.0	11.890	115/208-230	1;4;6;9
3	2.2	3600	56H	003360S1CCD56-S	\$432	C1S	41	1.00	12.7	80.0	12.677	208-230	1;4;6;9
		1800	184T	003180S1CCDOL184T	\$687	C1	99	1.15	17.5	75.0	14.875	208-230	4;6
5	3.7	3600	56H	005360S1DCD56H-S	\$458	C1S	53	1.00	20.3	80.0	13.465	230	1;4;6;9
		3600	56HZ	005360S1DCD56HZ-S	\$481	C1S	53	1.00	20.3	80.0	13.533	230	1;4;5;6;9
		3600	W182/4Y	005360S1CCDW184Y-S	\$526	C1S	56	1.00	20.7	80.0	15.152	208-230	1;4;5;6;9
		1800	184T	005180S1CCDOL184T	\$721	C1	101	1.15	21.5	82.5	14.875	208-230	4;6
		1800	184T	005180S1CCD184T	\$682	C1	102	1.25	21.5	82.5	14.875	208-230	6;10
7.5	5.5	1800	215T	007180S1CCD215T	\$961	C1	129	1.15	31.3	84.5	19.660	208-230	5;6;9;28
10	7.5	1800	215T	010180S1CCD215T	\$1,468	C1	162	1.15	43.0	85.0	21.235	208-230	5;6;9;28





# Definite Purpose Motors

## COMPRESSOR DUTY MOTORS

### ODP – Three-Phase – Foot Mount

HP	kW	RPM	Frame	Catalog Number	List Price	Mult. Symbol	Approx. Shipping Weight (lbs)	Service Factor	FL Amps @ High	FL. Eff (%)	"C" Dimension (in)	Voltage (V)	Notes
1	0.75	1800	143/5T	<a href="#">001180T3E143T-S</a>	\$390	N1S	38	1.15	1.50	85.5	11.181	230/460	9
		1800	143/5T	<a href="#">001180T3P143T-S</a>	\$390	N1S	38	1.15	3.50	85.5	11.181	200	9
		1800	143/5T	<a href="#">001180T3ECD143T-S</a>	\$398	N1S	38	1.15	1.50	85.5	11.181	230/460	6;9
1.5	1.1	3600	143/5T	<a href="#">001560T3E143T-S</a>	\$442	N1S	33	1.15	1.90	84.0	11.181	230/460	9
		1800	143/5T	<a href="#">001580T3E145T-S</a>	\$449	N1S	45	1.15	2.10	86.5	12.362	230/460	9
		1800	143/5T	<a href="#">001580T3P145T-S</a>	\$449	N1S	45	1.15	4.80	86.5	12.362	200	9
		1800	143/5T	<a href="#">001580T3ECD145T-S</a>	\$458	N1S	45	1.15	2.10	86.5	12.362	230/460	6;9
2	1.5	3600	143/5T	<a href="#">002360T3E145T-S</a>	\$487	N1S	40	1.15	2.40	85.5	11.969	230/460	9
		1800	143/5T	<a href="#">002180T3E145T-S</a>	\$492	N1S	43	1.15	2.70	86.5	12.362	230/460	9
		1800	143/5T	<a href="#">002180T3P145T-S</a>	\$492	N1S	43	1.15	6.20	86.5	12.362	200	9
		1800	143/5T	<a href="#">002180T3ECD145T-S</a>	\$502	N1S	43	1.15	2.70	86.5	12.362	230/460	6;9
3	2.2	3600	143/5T	<a href="#">003360T3E145T-S</a>	\$545	N1S	43	1.15	3.60	85.5	12.362	230/460	9
		1800	182/4T	<a href="#">003180T3E182T-S</a>	\$524	N1S	73	1.15	3.90	89.5	15.157	230/460	9
		1800	182/4T	<a href="#">003180T3P182T-S</a>	\$524	N1S	73	1.15	8.90	89.5	15.157	200	9
5	3.7	3600	56H	<a href="#">005360S3ECD56-S</a>	\$412	C1S	41	1.00	6.40	74.8	12.675	208-230/460	1;6;9;29
		3600	182/4T	<a href="#">005360T3E182T-S</a>	\$651	N1S	61	1.15	6.10	86.5	14.764	230/460	9
		1800	182/4T	<a href="#">005180T3E184T-S</a>	\$630	N1S	88	1.15	6.30	89.5	16.339	230/460	9
		1800	182/4T	<a href="#">005180T3P184T-S</a>	\$630	N1S	88	1.15	14.6	89.5	16.339	200	9
7.5	5.5	3600	182/4T	<a href="#">007360T3E184T-S</a>	\$920	N1S	76	1.15	8.70	88.5	15.157	230/460	9
		1800	213/5T	<a href="#">007180T3E213T-S</a>	\$910	N1S	125	1.15	9.30	91.0	16.575	230/460	9
		1800	213/5T	<a href="#">007180T3P213T-S</a>	\$910	N1S	125	1.15	21.3	91.0	16.575	200	9
10	7.5	3600	213/5T	<a href="#">010360T3E213T-S</a>	\$1,081	N1S	126	1.15	12.0	89.5	16.969	230/460	9
		1800	213/5T	<a href="#">010180T3E215T-S</a>	\$1,102	N1S	130	1.15	12.4	91.7	16.575	230/460	9
		1800	213/5T	<a href="#">010180T3P215T-S</a>	\$1,102	N1S	130	1.15	28.5	91.7	16.575	200	9
15	11	1800	254/6T	<a href="#">015180T3E254T-S</a>	\$1,477	N1S	211	1.15	18.6	93.0	20.472	230/460	9
		1800	254/6T	<a href="#">015180T3H254T-S</a>	\$1,477	N1S	211	1.15	14.9	93.0	20.472	575	9
		1800	254/6T	<a href="#">015180T3P254T-S</a>	\$1,477	N1S	211	1.15	42.8	93.0	20.472	200	9
20	15	3600	254/6T	<a href="#">020360T3E254T-S</a>	\$1,760	N1S	187	1.15	23.8	91.0	20.472	230/460	9
		1800	254/6T	<a href="#">020180T3E256T-S</a>	\$1,832	N1S	235	1.15	25.0	93.0	20.472	230/460	9
25	18.5	3600	254/6T	<a href="#">025360T3E256T-S</a>	\$2,139	N1S	202	1.15	29.1	91.7	20.472	230/460	9

Please refer to back cover for description of "NOTES"

For detailed specifications, data sheets, drawings and performance curves visit <http://www.weg.net>

Data subject to change without notice.

Can't find what you are looking for? Call 1-800-ASK-4WEG (275-4934)

**A-273**

# Definite Purpose Motors

## REFRIGERATION MOTORS

### W40 Refrigeration 'RF'- ODP Cast Iron

The W40 Refrigeration 'RF' motor includes the features commonly required for industrial refrigeration compressor applications. Optimized solutions for use on soft start or VFD control.

WEG Open Drip Proof (ODP) motor is a general purpose line designed for environments where dirt and moisture are minimal. The ODP cast iron frame is designed to provide maximum ventilation and heat dissipation, offering low vibration levels, high mechanical stiffness and durability.

### Standard Features - Industrial Refrigeration

- High Grade FC200 Cast Iron frame for added strength and reduced vibration
- Open Drip Proof with IP23 Degree of Protection
- Class F insulation (Impregnation Resin and Magnet wire are class H)
- F1 Mounted (F2 Convertible)
- Stainless Steel Nameplate - Laser etched with high contrast background
- Regreasable ball bearings
- Service Factor on Soft Starter: 1.25 – 1.15
- Service Factor on VFD: 1.0 Same HP and 1.15 with Derated HP (2:1 Constant Torque)

### Industrial Refrigeration RFVFD models

#### Additional Features

- 1.15 SF on VFD (2:1 Constant Torque)
- Insulated NDE Bearing Housing
- Internal AEGIS Shaft Grounding

**NEW!!**



### Features that make a difference

- Inverter Duty Insulation system per NEMA MG1, Part 31 – WEG Wise System
- Anti-Condensation Space Heaters (110-127/200-240 V)
- Insulated NDE Bearing Housing on 447/9TS frame and up
- Low Noise Design for quiet operation
- Over-sized diagonal split terminal box
- Premium WEG Chemical Paint system exceeds 200 Hour Salt Spray test
- Side terminal box hole 1/2" NPT for accessory connections



### Foot Mount

HP	kW	RPM	Frame	Catalog Number	List Price	Mult. Symbol	Approx. Ship Weight (lbs)	Service Factor	FL Amps @ High	FL Eff (%)	"C" Dimension (in)	Voltage	Notes
75	55	3600	364/5TS	075360T3E364TS-RFW40	<b>\$6,379</b>	N1B	816	1.25	84.8	93.6	27.520	230/460	
100	75	3600	364/5TS	100360T3G365TS-RFW40	<b>\$7,308</b>	N1B	840	1.25	116	93.6	27.520	460	
125	90	3600	404/5TS	125360T3G404TS-RFW40	<b>\$9,709</b>	N1B	972	1.25	136	94.1	31.100	460	
150	110	3600	404/5TS	150360T3G405TS-RFW40	<b>\$12,558</b>	N1B	988	1.25	167	94.1	31.100	460	
200	150	3600	444/5TS	200360T3G444TS-RFW40	<b>\$15,954</b>	N1B	1412	1.15	225	95.0	34.575	460	
250	185	3600	444/5TS	250360T3G445TS-RFW40	<b>\$20,881</b>	N1B	1527	1.15	278	95.0	34.575	460	
300	220	3600	444/5TS	300360T3G445TS-RFW40	<b>\$24,523</b>	N1B	1593	1.15	329	95.4	34.575	460	
350	260	3600	447/9TS	350360T3G449TS-RFW40	<b>\$28,813</b>	N1B	2121	1.15	384	95.4	42.959	460	43
400	300	3600	447/9TS	400360T3G449TS-RFW40	<b>\$30,680</b>	N1B	2200	1.15	442	95.8	42.959	460	43
450	330	3600	447/9TS	450360T3G449TS-RFW40	<b>\$32,475</b>	N1B	2315	1.15	478	96.2	42.959	460	43
500	370	3600	447/9TS	500360T3G449TS-RFW40	<b>\$36,197</b>	N1B	2391	1.15	536	96.2	42.959	460	43
600	440	3600	447/9TS	600360T3G449TS-RFW40	<b>\$37,943</b>	N1B	2520	1.15	645	96.2	42.959	460	43
700	515	3600	5010/11TS	700360T3G5010S-RF	<b>\$48,993</b>	N1B	4297	1.15	760	96.6	56.992	460	43
800	590	3600	5010/11TS	800360T3G5010S-RF	<b>\$51,795</b>	N1B	4239	1.15	881	96.6	56.992	460	43

### Foot Mount - RFVFD Models (AEGIS inside and Insulated Bearing Housing)

HP	kW	RPM	Frame	Catalog Number	List Price	Mult. Symbol	Approx. Shipping Weight (lbs)	Service Factor	FL Amps @ High	FL Eff (%)	"C" Dimension (in)	Voltage	Notes
75	55	3600	364/5TS	075360T3E364TS-RFVFD	<b>\$8,509</b>	N1B	774	1.15	87.8	93.6	27.520	230/460	34;37;43
100	75	3600	364/5TS	100360T3G365TS-RFVFD	<b>\$9,438</b>	N1B	990	1.15	121	93.6	27.520	460	34;37;43
125	90	3600	404/5TS	125360T3G404TS-RFVFD	<b>\$11,950</b>	N1B	1215	1.15	136	94.1	31.100	460	34;37;43
150	110	3600	404/5TS	150360T3G405TS-RFVFD	<b>\$14,799</b>	N1B	1107	1.15	169	94.1	31.100	460	34;37;43
200	150	3600	444/5TS	200360T3G444TS-RFVFD	<b>\$18,818</b>	N1B	1535	1.15	233	95	34.575	460	34;37;43
250	185	3600	444/5TS	250360T3G445TS-RFVFD	<b>\$23,745</b>	N1B	1394	1.15	284	95	34.575	460	34;37;43
300	220	3600	447/9TS	300360T3G449TS-RFVFD	<b>\$27,387</b>	N1B	1746	1.15	329	95.4	42.959	460	34;37;43

### C-Face - Foot Mount

HP	kW	RPM	Frame	Catalog Number	List Price	Mult. Symbol	Approx. Shipping Weight (lbs)	Service Factor	FL Amps @ High	FL Eff (%)	"C" Dimension (in)	Voltage	Notes
75	55	3600	364/5TSC	075360T3E364TSC-RFW4	<b>\$6,812</b>	N1B	852	1.25	84.8	93.6	27.520	230/460	
100	75	3600	364/5TSC	100360T3G365TSC-RFW4	<b>\$7,742</b>	N1B	866	1.25	116	93.6	27.520	460	
125	90	3600	404/5TSC	125360T3G404TSC-RFW4	<b>\$10,199</b>	N1B	998	1.25	136	94.1	31.100	460	
150	110	3600	404/5TSC	150360T3G405TSC-RFW4	<b>\$13,048</b>	N1B	1015	1.25	167	94.1	31.100	460	
200	150	3600	444/5TSC	200360T3G444TSC-RFW4	<b>\$16,570</b>	N1B	1463	1.15	225	95.0	34.575	460	
250	185	3600	444/5TSC	250360T3G445TSC-RFW4	<b>\$21,497</b>	N1B	1574	1.15	278	95.0	34.575	460	
300	220	3600	444/5TSC	300360T3G445TSC-RFW4	<b>\$25,139</b>	N1B	1619	1.15	329	95.4	34.575	460	
350	260	3600	447/9TSC	350360T3G449TSC-RFW4	<b>\$29,637</b>	N1B	2164	1.15	384	95.4	42.959	460	43

**Notes:**

34) AEGIS® Inside

37) Design A

43) With insulated non drive end housing

Please refer to back cover for description of "NOTES"

For detailed specifications, data sheets, drawings and performance curves visit <http://www.weg.net>

Data subject to change without notice.

Can't find what you are looking for? Call 1-800-ASK-4WEG (275-4934)

# Definite Purpose Motors

## HYDRAULIC PUMP MOTORS

### TEFC – Three-Phase – SAE-A – High Efficiency

Heavy duty cast iron enclosure designed for intermittent duty. Typical applications are hydraulic pumps for trash compactors, car lifts and others.

- Class F insulation (Impregnation Resin and magnet Wire are class H)
- F3 mount
- 8-hole SAE-A flange for different angle pump mounting
- Shaft with 3/4" bore (female shaft)



### Features that make a difference

- NPT Threaded terminal box
- Cast Iron frame
- Totally Enclosed IP55 rated

### TEFC – Three-Phase – SAE-A – High Efficiency

HP	kW	RPM	Frame	Catalog Number	List Price	Mult. Symbol	Approx. Shipping Weight (lbs)	Service Factor	FL Amps @ High	FL Eff (%)	"C" Dimension (in)	Voltage (V)	Notes
5	3.7	1800	184TYZ	00518EP3EHP184TYZ7F3	\$819	W1	99	1.15	7.37	87.5	12.800	208-230/460	8;30;37
7.5	5.5	1800	213TYZ	00718EP3EHP213TYZ7F3	\$1,054	W1	172	1.15	10.9	89.5	14.816	208-230/460	8;30;37
10	7.5	1800	215TYZ	01018EP3EHP215TYZ7F3	\$1,244	W1	189	1.15	15.7	89.5	16.312	208-230/460	8;30;37

# Definite Purpose Motors

## BRAKE MOTORS

### TEFC - Three-Phase - NEMA Premium®

WEG W22 brake motors consist of an induction motor coupled to a disc brake. Brake is of sturdy construction with few moving parts which guarantees long durability and minimum maintenance.



### Standard Features:

- Class F insulation (Impregnation Resin and Magnet wire are class H)
- 230V Brake Rectifier
- F1 Mounted
- Stainless Steel Nameplate - Laser etched with high contrast background
- Regreasable ball bearings (Frames 254T and up)
- 60HZ - 50HZ available with custom build

Note: If separate power supply to the Brake is required, (Such as on Motors operating with Variable Frequency Drive), 230V to the Brake module is standard.

### Optional Feature:

460V brake rectifier is available with motor modification

### Features that make a difference:

- 1.25 Service Factor
- NPT Threaded terminal box
- Armature type brake
- Manual Release

### Inverter Rated:

**1000:1 for variable torque**  
**20:1 for constant torque**

### Brake Torques

Frame	N.m	lb.ft	Optional lb.ft
143/5T	16	12	17
182/4T	60	44	N/A
213/5T	125	59	92
254/6T	235	111	173
284/6T	400	192	254



# Definite Purpose Motors



## CAST IRON BRAKE MOTORS

### TEFC – Foot Mount

HP	kW	RPM	Frame	Catalog Number	List Price	Mult. Symbol	Approx. Shipping Weight (lbs)	Service Factor	FL Amps @ High	FL. Eff (%)	“C” Dimension (in)	Voltage (V)	Notes
1	0.75	1800	143/5T	<a href="#">00118ET3EBM143T-W22</a>	\$1,494	B1	59	1.25	1.47	85.5	16.231	230/460	25
		1800	143/5T	<a href="#">00118ET3HBM143T-W22</a>	\$1,494	B1	62	1.25	1.18	85.5	16.231	575	25
		1200	143/5T	<a href="#">00112ET3EBM145T-W22</a>	\$1,587	B1	66	1.25	1.73	82.5	16.231	230/460	25
		900	182/4T	<a href="#">00109ET3EBM182T-W22</a>	\$2,594	B1	126	1.25	2.30	78.5	19.314	230/460	25
1.5	1.1	3600	143/5T	<a href="#">00156ET3EBM143T-W22</a>	\$1,501	B1	73	1.25	1.96	84.0	16.231	230/460	25
		1800	143/5T	<a href="#">00158ET3EBM145T-W22</a>	\$1,569	B1	65	1.25	2.02	86.5	16.231	230/460	25
		1200	182/4T	<a href="#">00152ET3EBM182T-W22</a>	\$2,264	B1	117	1.25	2.54	87.5	19.314	230/460	25
		900	182/4T	<a href="#">00159ET3EBM184T-W22</a>	\$2,703	B1	156	1.25	2.70	82.5	19.314	230/460	25
2	1.5	3600	143/5T	<a href="#">00236ET3EBM145T-W22</a>	\$1,501	B1	62	1.25	2.56	85.5	16.231	230/460	25
		1800	143/5T	<a href="#">00218ET3EBM145T-W22</a>	\$1,594	B1	66	1.25	2.76	86.5	16.231	230/460	25
		1200	182/4T	<a href="#">00212ET3EBM184T-W22</a>	\$2,369	B1	122	1.25	3.23	88.5	19.314	230/460	25
		900	213/5T	<a href="#">00209ET3EBM213T-W22</a>	\$3,345	B1	217	1.25	3.39	85.5	23.188	230/460	25
3	2.2	3600	182/4T	<a href="#">00336ET3EBM182T-W22</a>	\$2,290	B1	140	1.25	3.63	86.5	19.314	230/460	25
		1800	182/4T	<a href="#">00318ET3EBM182T-W22</a>	\$2,052	B1	115	1.25	3.91	89.5	19.314	230/460	25
		1200	213/5T	<a href="#">00312ET3EBM213T-W22</a>	\$3,220	B1	196	1.25	4.41	89.5	23.188	230/460	25
		900	213/5T	<a href="#">00309ET3EBM215T-W22</a>	\$3,740	B1	259	1.25	4.55	85.5	23.188	230/460	25
5	3.7	3600	182/4T	<a href="#">00536ET3EBM184T-W22</a>	\$2,343	B1	126	1.25	5.90	88.5	19.314	230/460	25
		1800	182/4T	<a href="#">00518ET3EBM184T-W22</a>	\$2,291	B1	124	1.25	6.45	89.5	19.314	230/460	25
		1800	182/4T	<a href="#">00518ET3HBM184T-W22</a>	\$2,291	B1	124	1.25	5.16	89.5	19.314	575	25
		1200	213/5T	<a href="#">00512ET3EBM215T-W22</a>	\$3,406	B1	213	1.25	6.83	89.5	23.188	230/460	25
		900	254/6T	<a href="#">00509ET3EBM254T-W22</a>	\$5,641	B1	358	1.25	7.58	87.5	29.839	230/460	25
7.5	5.5	3600	213/5T	<a href="#">00736ET3EBM213T-W22</a>	\$3,002	B1	200	1.25	8.76	89.5	23.188	230/460	25
		1800	213/5T	<a href="#">00718ET3EBM213T-W22</a>	\$2,903	B1	215	1.25	9.18	91.7	23.188	230/460	25
		1200	254/6T	<a href="#">00712ET3EBM254T-W22</a>	\$5,172	B1	377	1.25	9.48	91.0	29.839	230/460	25
		900	254/6T	<a href="#">00709ET3EBM256T-W22</a>	\$6,415	B1	377	1.25	11.1	87.5	29.839	230/460	25;51
10	7.5	3600	213/5T	<a href="#">01036ET3EBM215T-W22</a>	\$3,492	B1	238	1.25	11.6	90.2	23.188	230/460	25;51
		1800	213/5T	<a href="#">01018ET3EBM215T-W22</a>	\$3,474	B1	221	1.25	12.4	91.7	23.188	230/460	25
		1800	213/5T	<a href="#">01018ET3HBM215T-W22</a>	\$3,474	B1	200	1.25	9.92	91.7	23.188	575	25
		1200	254/6T	<a href="#">01012ET3EBM256T-W22</a>	\$5,759	B1	367	1.25	12.9	91.0	29.839	230/460	25
15	11	3600	254/6T	<a href="#">01536ET3EBM254T-W22</a>	\$4,745	B1	384	1.25	17.2	91.0	29.839	230/460	25
		1800	254/6T	<a href="#">01518ET3EBM254T-W22</a>	\$5,205	B1	407	1.25	18.0	92.4	29.839	230/460	25
		1800	254/6T	<a href="#">01518ET3HBM254T-W22</a>	\$5,205	B1	369	1.25	14.4	92.4	29.839	575	25
20	15	3600	254/6T	<a href="#">02036ET3EBM256T-W22</a>	\$5,768	B1	424	1.25	23.2	91.0	29.839	230/460	25
		1800	254/6T	<a href="#">02018ET3EBM256T-W22</a>	\$5,771	B1	456	1.25	24.1	93.0	29.839	230/460	25
25	18.5	1800	284/6T	<a href="#">02518ET3EBM284T-W22</a>	\$6,796	B1	520	1.25	29.5	93.6	32.976	230/460	25
30	22	1800	284/6T	<a href="#">03018ET3EBM286T-W22</a>	\$7,276	B1	558	1.25	35.1	93.6	32.976	230/460	25

### Spring-Set brake (Solenoid Actuated)

#### Standard Features:

- 1.15 Service Factor
- Manual Release Lever
- AC brake
- Inverter Rated
- IP55 Enclosure
- Dual Frequency (50/60 Hz)

#### Applications:

- Conveyors
- Door Operators
- Packaging Equipment
- Unit Handling



# Definite Purpose Motors

## ROLLED STEEL BRAKE MOTORS



### TEFC - Foot Mount

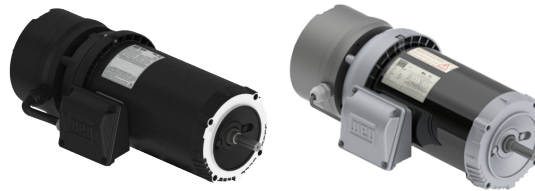
HP	kW	RPM	Frame	atalog Number	List Prie	Mult Symbol	Approx. Shipping Weight (lbs)	Brake Torque (ft.lb)	FL. Amps @ High	FL. Eff (%)	"C" Dimension (in)	Volts	Notes
0.25	0.18	1800	W56	.2518ES3EBMW56-S	\$928	RSB	24	3	0.50	66.0	14.610	208-230/460	9
0.33	0.25	1800	W56	.3318ES3EBMW56-S	\$977	RSB	26	3	0.66	68.0	14.610	208-230/460	9
0.5	0.37	1800	W56	.5018ES3EBMW56-S	\$1,105	RSB	27	3	1.00	72.0	15.004	208-230/460	9
0.75	0.55	1800	W56	.7518ES3EBMW56-S	\$1,301	RSB	38	6	1.22	75.5	15.397	208-230/460	9
1	0.75	1800	56	00118ET3EBM56-S	\$1,504	RSB	54	6	1.47	85.5	17.835	230/460	9
		1800	143T	00118ET3EBM143T-S	\$1,729	RSB	55	6	1.47	85.5	17.914	230/460	9
1.5	1.1	1800	145T	00158ET3EBM145T-S	\$1,866	RSB	56	10	2.02	86.5	17.914	230/460	9
2	1.5	1800	145T	00218ET3EBM145T-S	\$1,921	RSB	60	10	2.72	86.5	18.307	230/460	9
3	2.2	1800	182T	00318ET3EBM182T-S	\$2,117	RSB	113	15	3.81	89.5	22.992	230/460	9
5	3.7	1800	184T	00518ET3EBM184T-S	\$2,492	RSB	91	25	6.49	89.5	22.992	230/460	9
7.5	5.5	1800	213T	00718ET3EBM213T-S	\$4,563	RSB	151	35	9.07	91.7	26.457	230/460	9
10	7.5	1800	215T	01018ET3EBM215T-S	\$4,989	RSB	165	50	12.2	91.7	26.850	230/460	9
15	11	1800	254T	01518ET3EBM254T-S	\$6,985	RSB	256	75	18.2	92.4	31.220	230/460	9
20	15	1800	256T	02018ET3EBM256T-S	\$9,080	RSB	291	100	24.7	93.0	32.007	230/460	9





### TEFC - C-Face - Foot Mount

HP	kW	RPM	Frame	Catalog Number	List Price	Mult Symbol	Approx. Shipping Weight (lbs)	Brake Torque (ft.lb)	FL. Amps @ High	FL. Eff (%)	"C" Dimension (in)	Volts	Notes
1	0.75	1800	56C	<a href="#">00118ET3EBM56C-S</a>	\$1,542	RSB	54	6	1.47	85.5	17.835	230/460	9
		1800	143TC	<a href="#">00118ET3EBM143TC-S</a>	\$1,767	RSB	55	6	1.47	85.5	17.914	230/460	9
1.5	1.1	1800	145TC	<a href="#">00158ET3EBM145TC-S</a>	\$1,904	RSB	56	10	2.02	86.5	17.914	230/460	9
2	1.5	1800	145TC	<a href="#">00218ET3EBM145TC-S</a>	\$1,959	RSB	60	10	2.72	86.5	18.307	230/460	9
3	2.2	1800	182TC	<a href="#">00318ET3EBM182TC-S</a>	\$2,189	RSB	113	15	3.81	89.5	22.992	230/460	9
5	3.7	1800	184TC	<a href="#">00518ET3EBM184TC-S</a>	\$2,564	RSB	91	25	6.49	89.5	22.992	230/460	9
7.5	5.5	1800	213TC	<a href="#">00718ET3EBM213TC-S</a>	\$4,702	RSB	151	35	9.07	91.7	26.457	230/460	9
10	7.5	1800	215TC	<a href="#">01018ET3EBM215TC-S</a>	\$5,128	RSB	165	50	12.2	91.7	26.850	230/460	9



### TEFC - C-Face - Footless

HP	kW	RPM	Frame	Catalog Number	List Price	Mult Symbol	Approx. Shipping Weight (lbs)	Brake Torque (ft.lb)	FL. Amps @ High	FL. Eff (%)	"C" Dimension (in)	Volts	Notes
0.25	0.18	1800	W56C	<a href="#">.2518ES3EBMW56CFL-S</a>	\$966	RSB	24	3	0.50	66.0	14.610	208-230/460	9
0.33	0.25	1800	W56C	<a href="#">.3318ES3EBMW56CFL-S</a>	\$1,015	RSB	26	3	0.66	68.0	14.610	208-230/460	9
0.5	0.37	1800	W56C	<a href="#">.5018ES3EBMW56CFL-S</a>	\$1,143	RSB	27	3	1.00	72.0	15.004	208-230/460	9
0.75	0.55	1800	W56C	<a href="#">.7518ES3EBMW56CFL-S</a>	\$1,339	RSB	38	6	1.22	75.5	15.397	208-230/460	9
1	0.75	1800	56C	<a href="#">00118ET3EBM56CFL-S</a>	\$1,542	RSB	54	6	1.47	85.5	18.165	230/460	9
		1800	143TC	<a href="#">00118ET3EBMR143TC-S</a>	\$1,767	RSB	55	6	1.47	85.5	18.244	230/460	9
1.5	1.1	1800	56C	<a href="#">00158ET3EBM56CFL-S</a>	\$1,856	RSB	55	10	2.02	86.5	18.165	115/208-230	9
		1800	145TC	<a href="#">00158ET3EBMR145TC-S</a>	\$1,904	RSB	56	10	2.02	86.5	18.244	230/460	9
2	1.5	1800	56C	<a href="#">00218ET3EBM56CFL-S</a>	\$1,925	RSB	59	10	2.72	86.5	18.559	115/208-230	9
		1800	145TC	<a href="#">00218ET3EBMR145TC-S</a>	\$1,959	RSB	60	10	2.72	86.5	18.637	230/460	9
3	2.2	1800	182TC	<a href="#">00318ET3EBMR182TC-S</a>	\$2,189	RSB	113	15	3.81	89.5	22.858	230/460	9
5	3.7	1800	184TC	<a href="#">00518ET3EBMR184TC-S</a>	\$2,564	RSB	91	25	6.49	89.5	22.992	230/460	9
7.5	5.5	1800	213TC	<a href="#">00718ET3EBMR213TC-S</a>	\$4,702	RSB	151	35	9.07	91.7	26.457	230/460	9
10	7.5	1800	215TC	<a href="#">01018ET3EBMR215TC-S</a>	\$5,128	RSB	165	50	12.2	91.7	26.850	230/460	9

### Motor Options upon Inquiry:

- Single-Phase Motor
- ODP or TENV Enclosure
- AEGIS® Inside

Please refer to back cover for description of "NOTES"

For detailed specifications, data sheets, drawings and performance curves visit [http:// www.weg.net](http://www.weg.net)

Data subject to change without notice.

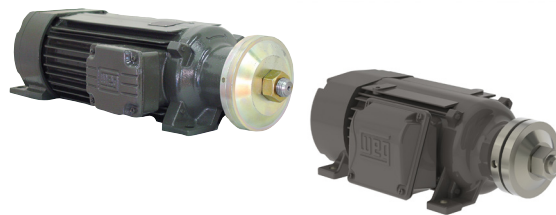
Can't find what you are looking for? Call 1-800-ASK-4WEG (275-4934)

**A-281**

## SAW ARBOR MOTORS

### TEFC

Single and double shaft end available. These intermittent duty motors are suitable for a wide range of applications such as circular saws, pendulum saws, polishing machines, among others.



### Features that make a difference:

- Reinforced cast iron frame
- Low profile

### Standard Features:

- Class F insulation (Impregnation Resin and magnet Wire are class H)
- Ball bearings
- PG threaded terminal boxes

### TEFC – Three-Phase – Right-Hand Thread

HP	kW	RPM	Frame	Catalog Number	List Price	Mult. Symbol	Approx. Shipping Weight (lbs)	Service Factor	FL Amps @ High	FL Eff (%)	“C” Dimension (in)	Voltage (V)	Notes
3	2.2	3600	80S	00336ES3ESA80SR	\$969	01	93	1.00	4.29	80.5	18.543	208-230/460	39
5	3.7	3600	80M	00536ES3ESA80MR	\$1,160	01	109	1.00	6.65	85.0	20.512	208-230/460	39
		1800	90L	00518ES3ESA90LR	\$1,701	01	163	1.00	7.03	84.5	26.476	208-230/460	39
7.5	5.5	3600	80L	00736ES3ESA80LR	\$1,642	01	132	1.00	9.76	87.4	22.480	208-230/460	39
		3600	80L	00736ES3HSA80LR	\$1,642	01	133	1.00	7.81	87.4	22.480	575	39
		1800	90L	00718ES3ESA90LR	\$1,855	01	179	1.00	10.1	85.3	26.476	208-230/460	39
10	7.5	3600	90L	01036ES3ESA90LR	\$1,953	01	178	1.00	12.3	85.0	26.476	208-230/460	39
		3600	90L	01036ES3HSA90LR	\$1,953	01	179	1.00	9.84	85.0	26.476	575	39;51
		1800	90L	01018ES3ESA90LR	\$2,176	01	192	1.00	14.7	85.5	26.476	208-230/460	39

### TEFC – Three-Phase – Left-Hand Thread

HP	kW	RPM	Frame	Catalog Number	List Price	Mult. Symbol	Approx. Shipping Weight (lbs)	Service Factor	FL Amps @ High	FL Eff (%)	“C” Dimension (in)	Voltage (V)	Notes
3	2.2	3600	80S	00336ES3ESA80SL	\$969	01	93	1.00	4.29	80.5	18.543	208-230/460	39
5	3.7	3600	80M	00536ES3ESA80ML	\$1,160	01	109	1.00	6.65	85.0	20.512	208-230/460	39
		1800	90L	00518ES3ESA90LL	\$1,701	01	163	1.00	7.03	84.5	26.476	208-230/460	39
7.5	5.5	3600	80L	00736ES3ESA80LL	\$1,642	01	132	1.00	9.76	87.4	22.480	208-230/460	39
		3600	80L	00736ES3HSA80LL	\$1,642	01	134	1.00	7.81	87.4	22.480	575	39
		1800	90L	00718ES3ESA90LL	\$1,855	01	177	1.00	10.1	85.3	26.476	208-230/460	39
10	7.5	3600	90L	01036ES3ESA90LL	\$1,953	01	178	1.00	12.3	85.0	26.476	208-230/460	39
		3600	90L	01036ES3HSA90LL	\$1,953	01	180	1.00	9.84	85.0	26.476	575	39
		1800	90L	01018ES3ESA90LL	\$2,176	01	192	1.00	14.7	85.5	26.476	208-230/460	39

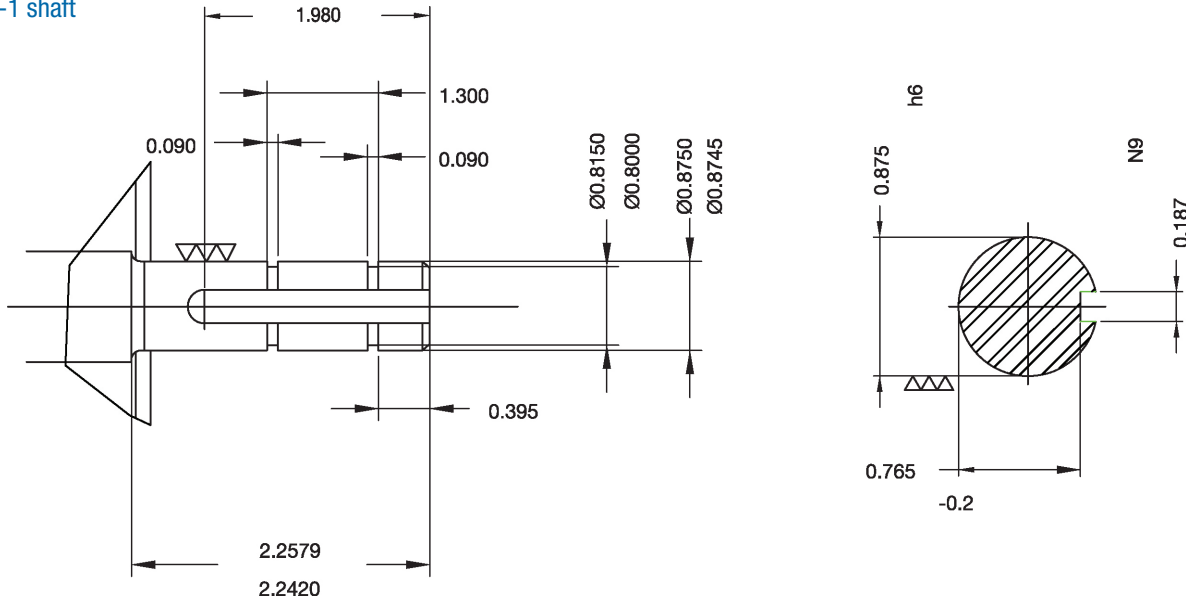


## SOOT BLOWER MOTORS

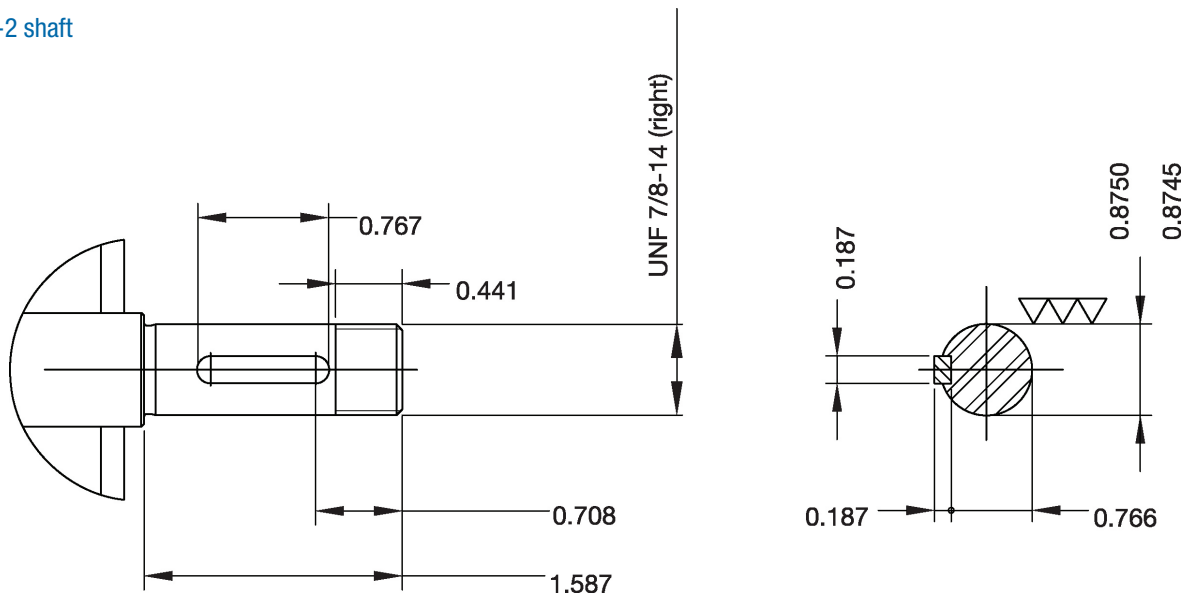
### TEFC – C-Face – Footless

HP	kW	RPM	Frame	Catalog Number	List Price	Mult. Symbol	Approx. Shipping Weight (lbs)	Service Factor	FL Amps @ High	FL. Eff (%)	"C" Dimension (in)	Voltage (V)	Notes
1.5	1.1	1800	143/5TCZ	<a href="#">00158ET3ESB145TCZ1-S</a>	\$1,489	RSP	43	1.15	2.20	86.5	13.583	230/460	9;20
2	1.5	1800	143/5TCZ	<a href="#">00218ET3ESB145TCZ1-S</a>	\$1,612	RSP	47	1.15	2.70	86.5	13.976	230/460	9;20
		1800	143/5TCZ	<a href="#">00218ET3ESB145TCZ2-S</a>	\$1,612	RSP	47	1.15	2.70	86.5	14.049	230/460	9;20

Type -1 shaft



Type -2 shaft



Please refer to back cover for description of "NOTES"

For detailed specifications, data sheets, drawings and performance curves visit <http://www.weg.net>

Data subject to change without notice.

Can't find what you are looking for? Call 1-800-ASK-4WEG (275-4934)

## W22 Severe Duty Motors – TEFC

W22 Medium Voltage Motors – TEFC 2300 – 4160V .....	A-286
W22 Medium Voltage Motors – TEFC Add-On Modifications .....	A-287
W22 Medium Voltage 2300V - Electrical Data .....	A-288
W22 Medium Voltage 4160V - Electrical Data .....	A-290
Mechanical Data .....	A-292
Medium Voltage Worksheet .....	A-296
SSW7000C Medium Voltage Soft Starter .....	A-298

## TEFC SEVERE DUTY MV MOTORS

### Standard Features:

- Voltage: 2300/4160V
- Frequency: 60Hz
- 1.15SF at D.O.L. starting and safe area
- Insulation Class F
- VPI Impregnation
- Class B Temperature Rise @ 1.00SF
- Class F Temperature Rise @ 1.15SF
- Aluminum Rotor (except where otherwise indicated)
- S1 Continuous Duty
- TEFC
- IP55 Protection Degree
- F1 Mounting  
Field conversion from F1 to F2 mounting available for all motors 250HP and above
- D.O.L. Starting
- Direct coupling
- Direction of Rotation:  
CW for 2P motors (250HP and above)  
Dual for 2P (200HP), 4P and 6P motors
- Altitude: 3300 f.a.s.l.
- Ambient temperature: 40°C
- NEMA Premium® Efficiency (250HP and above)
- Grease lubricated antifriction (ball) bearings
- 100,000hs L10 bearings lifetime
- Final Color: Blue (RAL 5009)
- NEMA Type I main terminal box (loose leads)
- Automatic grease relief
- Grounding lugs on both sides of the frame
- 4140 Steel Shaft
- 36 Months warranty from manufacturing date

### Standard Accessories:

- RTD Pt100 Temperature Detectors (02 per phase and 01 per bearing)
- Space Heater, 120V
- Provision (flat surface) for vibration sensors
- Provision for dowel pins

### Severe Duty Features:

- Most relevant features of IEEE 841
- Vibration level as per IEEE 841
- Stainless Steel extended grease tubes
- INPRO/SEAL on DE and NDE sides
- 0.005" feet flatness
- Automatic threaded T-drains (stainless steel)
- Tropicalization
- IEEE 841 Test reports

### V.F.D. Operation Features:

- 1.00SF at V.F.D. Operation
- Class B Temperature Rise @ 1.00SF
- Suitable for V.F.D. Operation  
10:1 VT with Class B temperature rise  
2:1 CT with Class F temperature rise
- Electrically Insulated N.D.E. bearing housing
- Helwig Shaft Grounding brush (Add-on Modification)

Note: A method of reducing common mode voltages from motor terminals must be utilized.

### Hazardous Area Features:

- 1.00SF at Hazardous Area
- Class B Temperature Rise @ 1.00SF
- CSA Certification: Class I, Div. 2, Gr. A, B, C and D, T3 (Except 600HP 6P – Safe Area only)
- Non-sparking external fan

### Add-on Modifications from Stock

Note: For Add-on modifications, see page A253.

*Note: Special attention to Reciprocating Compressors applications where the motor design must be evaluated and confirmed in a case by case basis.*

## Medium Voltage Motors

HP	kW	RPM	NEMA Frame	Catalog Number	List Price	Multiplier	Approx. Shipping Weight (lbs)	Service Factor	FL. Eff (%)		"C" Dimension (in)	Voltage (V)	Notes
									2300V	4160V			
150	110	3600	L447/9TS	<a href="#">20036ET3XL449-W22MVR</a>	<b>\$38,054</b>	MAQ2	2758	1.15	93.20	93.00	53.431	2300/4160	
		1800	L447/9T	<a href="#">20018ET3XL449-W22MVR</a>	<b>\$37,790</b>	MAQ2	2608	1.15	93.30	93.30	57.181	2300/4160	
		1200	L447/9T	<a href="#">20012ET3XL449-W22MVR</a>	<b>\$43,039</b>	MAQ2	2720	1.15	93.60	93.60	57.181	2300/4160	
200	150	3600	L447/9TS	<a href="#">20036ET3XL449-W22MV</a>	<b>\$38,054</b>	MAQ2	2758	1.15	94.10	94.00	53.431	2300/4160	
		1800	L447/9T	<a href="#">20018ET3XL449-W22MV</a>	<b>\$37,790</b>	MAQ2	2608	1.15	93.80	93.80	57.181	2300/4160	
		1200	L447/9T	<a href="#">20012ET3XL449-W22MV</a>	<b>\$43,039</b>	MAQ2	2720	1.15	93.60	93.60	57.181	2300/4160	
250	185	3600	5009/10	<a href="#">25036ET3X5009-W50MV</a>	<b>\$42,512</b>	MAQ2	4272	1.15	95.00	95.00	64.159	2300/4160	
		1800	5009/10	<a href="#">25018ET3X5009-W50MV</a>	<b>\$42,249</b>	MAQ2	4457	1.15	95.00	95.00	70.035	2300/4160	
		1200	5009/10	<a href="#">25012ET3X5009-W50MV</a>	<b>\$48,810</b>	MAQ2	4567	1.15	95.00	95.00	70.035	2300/4160	
300	220	3600	5009/10	<a href="#">30036ET3X5009-W50MV</a>	<b>\$51,698</b>	MAQ2	4345	1.15	95.00	95.00	64.159	2300/4160	
		1800	5009/10	<a href="#">30018ET3X5009-W50MV</a>	<b>\$47,239</b>	MAQ2	4283	1.15	95.00	95.00	70.035	2300/4160	
		1200	5009/10	<a href="#">30012ET3X5009-W50MV</a>	<b>\$55,371</b>	MAQ2	4821	1.15	95.00	95.00	70.035	2300/4160	
350	260	3600	5009/10	<a href="#">40036ET3X5009-W50MVR</a>	<b>\$61,669</b>	MAQ2	4707	1.15	95.00	95.00	64.159	2300/4160	47
		1800	5009/10	<a href="#">40018ET3X5009-W50MVR</a>	<b>\$60,848</b>	MAQ2	4814	1.15	95.00	95.00	70.035	2300/4160	
		1200	5009/10	<a href="#">35012ET3X5009-W50MV</a>	<b>\$61,532</b>	MAQ2	4825	1.15	95.00	95.00	70.035	2300/4160	
400	300	3600	5009/10	<a href="#">40036ET3X5009-W50MV</a>	<b>\$61,669</b>	MAQ2	4707	1.15	95.00	95.00	64.159	2300/4160	47
		1800	5009/10	<a href="#">40018ET3X5009-W50MV</a>	<b>\$60,848</b>	MAQ2	4814	1.15	95.00	95.00	70.035	2300/4160	
		1200	5809/10	<a href="#">40012ET3X5809-W50MV</a>	<b>\$68,812</b>	MAQ2	6503	1.15	95.00	95.00	77.964	2300/4160	
450	330	3600	5809/10	<a href="#">50036ET3X5809-W50MVR</a>	<b>\$79,517</b>	MAQ2	5915	1.15	95.20	95.20	71.089	2300/4160	
		1800	5009/10	<a href="#">50018ET3X5009-W50MVR</a>	<b>\$76,398</b>	MAQ2	5008	1.15	95.00	95.00	70.035	2300/4160	47
		1200	5809/10	<a href="#">50012ET3X5809-W50MVR</a>	<b>\$89,970</b>	MAQ2	6479	1.15	95.00	95.00	77.964	2300/4160	
500	370	3600	5809/10	<a href="#">50036ET3X5809-W50MV</a>	<b>\$79,517</b>	MAQ2	5915	1.15	95.40	95.40	71.089	2300/4160	
		1800	5009/10	<a href="#">50018ET3X5009-W50MV</a>	<b>\$76,398</b>	MAQ2	5008	1.15	95.00	95.00	70.035	2300/4160	47
		1200	5809/10	<a href="#">50012ET3X5809-W50MV</a>	<b>\$89,970</b>	MAQ2	6479	1.15	95.00	95.00	77.964	2300/4160	
550	400	3600	5809/10	<a href="#">60036ET3X5809-W50MVR</a>	<b>\$86,864</b>	MAQ2	6359	1.15	95.40	95.40	71.089	2300/4160	47
		1800	5809/10	<a href="#">60018ET3X5809-W50MVR</a>	<b>\$91,633</b>	MAQ2	6351	1.15	95.40	95.40	77.964	2300/4160	
		1200	5809/10	<a href="#">60012ET3X5809-W50MVR</a>	<b>\$105,217</b>	MAQ2	6803	1.15	95.00	95.00	77.964	2300/4160	47;48
600	440	3600	5809/10	<a href="#">60036ET3X5809-W50MV</a>	<b>\$86,864</b>	MAQ2	6359	1.15	95.40	95.40	71.089	2300/4160	47
		1800	5809/10	<a href="#">60018ET3X5809-W50MV</a>	<b>\$91,633</b>	MAQ2	6351	1.15	95.40	95.40	77.964	2300/4160	
		1200	5809/10	<a href="#">60012ET3X5809-W50MV</a>	<b>\$105,217</b>	MAQ2	6803	1.15	95.00	95.00	77.964	2300/4160	47;48
650	480	1800	6806/07	<a href="#">70018ET3X6806-W50MVR</a>	<b>\$105,814</b>	MAQ2	7686	1.15	95.40	95.40	78.224	2300/4160	47
		1200	6808/09	<a href="#">70012ET3X6808-W50MVR</a>	<b>\$117,307</b>	MAQ2	9123	1.15	95.40	95.40	84.129	2300/4160	47
700	515	1800	6806/07	<a href="#">70018ET3X6806-W50MV</a>	<b>\$105,814</b>	MAQ2	7686	1.15	95.40	95.40	78.224	2300/4160	47
		1200	6808/09	<a href="#">70012ET3X6808-W50MV</a>	<b>\$117,307</b>	MAQ2	9123	1.15	95.40	95.40	84.129	2300/4160	47
750	560	1800	6808/09	<a href="#">80018ET3X6808-W50MVR</a>	<b>\$114,209</b>	MAQ2	8704	1.15	95.40	95.40	84.129	2300/4160	
800	590	1800	6808/09	<a href="#">80018ET3X6808-W50MV</a>	<b>\$114,209</b>	MAQ2	8704	1.15	95.40	95.40	84.129	2300/4160	

Please contact WEG for 50Hz MV motors from stock.



# Medium Voltage Motors and Soft Starters

## Add-On Modifications

NEMA FRAME			L447/9T	L447/9T	5000	5000	5800	5800	6800
			2P - MV	4/6P - MV	2P - MV	4/6P - MV	2P - MV	4/6P - MV	4/6P - MV
<b>REPLATE</b>	<b>ADD CUSTOMER PART NUMBER AND / OR OTHER CHANGES SUCH AS VOLTAGE, HZ, ETC.</b>								
<b>MOD. NUMBER</b>	<b>NAMEPLATE</b>								
N-30	Main Nameplate Change - Stainless Steel	NET	\$35.00	\$35.00	\$35.00	\$35.00	\$35.00	\$35.00	\$35.00
N-40	Additional Nameplate - Stainless Steel	NET	\$35.00	\$35.00	\$35.00	\$35.00	\$35.00	\$35.00	\$35.00
<b>ELECTRICAL ADD-ON'S</b>	<b>INSTALLATION OF ENCODER</b>								
E-100	Installation of Encoder - Dynapar HSD38 1024PPR & 5/8" stub shaft	LIST	\$1,145.00	\$1,145.00	\$1,876.00	\$1,876.00	\$2,176.00	\$2,176.00	\$2,426.00
E-120	Installation of Encoder - Additional Kit Required for Motors with Forced Ventilation (Motors designed with Ball Bearing at DE side)	LIST	\$680.00	\$680.00	\$1,064.00	\$1,064.00	\$1,157.00	\$1,157.00	\$1,203.00
E-130	Installation of Encoder - Additional Kit Required for Motors with Forced Ventilation (Motors designed with Roller Bearing at DE side)	LIST	N/A	\$876.00	N/A	\$1,089.00	N/A	\$1,218.00	\$1,263.00
<b>C-FLANGE KIT</b>	<b>INSTALLATION OF C-FLANGE KITS</b>								
C-90	Installation of C-FLANGE	LIST	\$1,793.00	\$1,793.00	\$3,071.00	\$3,071.00	\$3,517.00	\$3,517.00	\$4,190.00
<b>D-FLANGE KIT</b>	<b>INSTALLATION OF D-FLANGE KITS</b>								
D-130	Installation of D-FLANGE	LIST	\$1,711.00	\$1,711.00	\$2,613.00	\$2,613.00	\$3,041.00	\$3,041.00	\$3,421.00
<b>COOLING</b>	<b>INSTALLATION OF BLOWER KIT (FORCED VENTILATION) AND CHANGE DIRECTION OF ROTATION</b>								
F-210	Forced Ventilation (230/460V 60Hz): Blower Cooling (w/o Encoder) (Safe Area)	LIST	\$2,449.00	\$2,449.00	\$4,300.00	\$4,300.00	\$4,697.00	\$4,697.00	\$5,030.00
F-220	Forced Ventilation (240/480V 60Hz): Blower Cooling (w/o Encoder) (Hazardous Area)	LIST	N/A	N/A	\$4,576.00	\$4,576.00	\$5,118.00	\$5,118.00	\$5,625.00
F-230	Change Direction of Rotation - CCW External Fan for 2P motors	LIST	N/A	N/A	\$1,064.00	N/A	\$1,170.00	N/A	N/A
<b>BEARINGS</b>	<b>BEARING CHANGE OUTS &amp; SHAFT GROUNDING MODIFICATION</b>								
B-200	Ball to Roller Bearing Conversion	LIST	N/A	\$1,813.00	N/A	\$2,544.00	N/A	\$2,714.00	\$2,934.00
B-250	Installation of Helwig Grounding Brush (Includes Brush and Brush Holder - DE only)	LIST	\$1,385.00	\$1,385.00	\$1,385.00	\$1,385.00	\$1,385.00	\$1,385.00	\$1,385.00
<b>MOUNTING</b>	<b>TERMINAL BOX</b>								
M-280	F1 to F2 Mounting Conversion	LIST	\$524.00	\$524.00	\$839.00	\$839.00	\$839.00	\$839.00	\$839.00
M-330	Oversized NEMA Type II Main Terminal Box	LIST	N/A	N/A	\$3,504.00	\$3,504.00	\$3,504.00	\$3,504.00	\$3,504.00
M-320	Install terminal block in terminal box	LIST	N/A	N/A	\$2,790.00	\$2,790.00	\$2,790.00	\$2,790.00	\$2,790.00

## Electrical Data 2300V

Rated Output		Full Load Speed (RPM)	NEMA Frame	Locked Rotor Current (2300V)		Full Load Amps	2300V		
HP	kW			kVA Code	II/In		Full Load Torque - Tn (lb.ft)	Locked Rotor Torque (TI/Tn)	Breakdown torque (Tb/Tn)
150	110	3586	L447/9TS	M	11.4	36.1	220	2.40	3.70
		1789	L447/9T	K	8.0	37.9	440	1.80	2.80
		1189	L447/9T	K	7.7	40.4	662	2.00	2.80
200	150	3580	L447/9TS	K	8.7	47.1	293	1.80	2.80
		1786	L447/9T	G	6.0	48.4	588	1.40	2.10
		1185	L447/9T	G	6.0	51.6	886	1.50	2.10
250	185	3574	5009/10	G	6.4	55.5	367	1.00	2.10
		1783	5009/10	G	6.2	58.2	736	1.40	2.20
		1188	5009/10	G	5.7	61.9	1105	1.40	2.10
300	220	3575	5009/10	G	6.5	65.3	441	1.00	2.10
		1782	5009/10	G	6.2	68.4	884	1.40	2.10
		1183	5009/10	G	5.8	73.6	1332	1.60	2.20
350	260	3575	5009/10	H	7.4	78.1	514	1.10	2.40
		1787	5009/10	H	6.7	83.8	1029	1.70	2.40
		1184	5009/10	G	5.7	87.0	1552	1.70	2.30
400	300	3571	5009/10	G	6.5	89.1	588	1.00	2.10
		1785	5009/10	G	6.0	94.4	1177	1.50	2.10
		1189	5809/10	G	5.8	100	1767	1.50	2.10
450	330	3575	5809/10	H	7.2	98.9	661	1.30	2.65
		1789	5009/10	H	6.9	105	1321	0.90	2.65
		1192	5809/10	H	6.5	113	1982	1.65	2.30
500	370	3571	5809/10	G	6.5	109	735	1.20	2.40
		1787	5009/10	G	6.3	116	1469	0.80	2.40
		1191	5809/10	G	6.0	124	2205	1.50	2.10
550	400	3578	5809/10	H	7.4	121	807	1.20	2.50
		1788	5809/10	H	7.0	125	1615	1.85	2.40
		1193	5809/10	H	6.8	137	2421	1.00	2.70
600	440	3576	5809/10	G	6.7	132	881	1.10	2.30
		1786	5809/10	G	6.5	136	1764	1.70	2.20
		1192	5809/10	G	6.3	147	2643	0.90	2.50
650	480	1789	6806/07	H	6.9	152	1908	1.50	2.45
		1193	6808/09	H	7.0	149	2861	0.90	2.45
700	515	1789	6806/07	G	6.5	161	2055	1.40	2.30
		1193	6808/09	G	6.5	158	3081	0.85	2.30
750	560	1789	6808/09	H	6.8	180	2201	1.60	2.35
800	590	1789	6808/09	G	6.5	187	2348	1.50	2.20

Please contact WEG for 50Hz MV motors from stock.

continued on next page





## Electrical Data 2300V (continued)

Rated Output		Efficiency (2300V)			Power Factor (2300V)			Moment of Inertia WK2 (lb.ft <sup>2</sup> )	Approx. Weight (lb)	Approx. Sound Level dB(A)
		% of Full load								
HP	kW	50	75	100	50	75	100			
150	110	90.00	92.20	93.20	0.63	0.75	0.82	37.7	2536	88
		91.00	92.60	93.30	0.60	0.72	0.78	94.9	2386	79
		91.50	93.20	93.60	0.52	0.65	0.73	114.0	2498	71
200	150	92.40	93.60	94.10	0.72	0.82	0.85	37.7	2536	88
		92.60	93.80	93.80	0.70	0.79	0.83	94.9	2386	79
		92.80	93.60	93.60	0.63	0.73	0.78	114.0	2498	71
250	185	93.60	94.10	95.00	0.83	0.87	0.88	83.1	3803	79
		93.00	94.10	95.00	0.70	0.81	0.84	94.9	3971	79
		93.60	94.50	95.00	0.66	0.76	0.79	138.0	4081	77
300	220	93.60	94.10	95.00	0.83	0.88	0.89	88.5	3876	79
		93.60	94.10	95.00	0.74	0.82	0.85	114.0	3797	79
		93.60	94.50	95.00	0.66	0.74	0.79	159.0	4335	77
350	260	93.60	94.50	95.00	0.81	0.86	0.88	99.7	4238	79
		93.60	94.10	95.00	0.67	0.77	0.82	157.0	4328	79
		93.60	94.50	95.00	0.64	0.75	0.79	168.0	4339	77
400	300	94.10	94.50	95.00	0.83	0.87	0.89	99.7	4238	79
		94.10	94.50	95.00	0.72	0.80	0.84	157.0	4328	79
		94.10	94.50	95.00	0.67	0.76	0.79	382.0	5980	77
450	330	94.20	94.90	95.20	0.83	0.87	0.88	142.0	5415	82
		94.10	95.00	95.00	0.70	0.79	0.83	166.0	4522	79
		93.60	94.50	95.00	0.60	0.71	0.77	384.0	5956	77
500	370	94.50	95.00	95.40	0.85	0.89	0.89	142.0	5415	82
		94.50	95.00	95.00	0.73	0.81	0.84	166.0	4522	79
		94.10	94.50	95.00	0.63	0.73	0.79	384.0	5956	77
550	400	94.30	95.10	95.40	0.78	0.85	0.87	159.0	5859	82
		94.50	95.20	95.40	0.72	0.80	0.84	275.0	5828	82
		93.10	94.30	95.00	0.59	0.70	0.77	418.0	6280	77
600	440	94.70	95.40	95.40	0.80	0.86	0.88	159.0	5859	82
		95.00	95.40	95.40	0.75	0.81	0.85	275.0	5828	82
		93.30	94.50	95.00	0.62	0.73	0.79	418.0	6280	77
650	480	94.30	94.80	95.40	0.71	0.80	0.83	427.0	7074	82
		94.80	95.40	95.40	0.74	0.82	0.85	724.0	8500	81
700	515	94.50	95.00	95.40	0.73	0.81	0.84	427.0	7074	82
		95.00	95.40	95.40	0.75	0.83	0.86	724.0	8500	81
750	560	94.90	95.40	95.40	0.71	0.79	0.82	534.0	8081	82
800	590	95.00	95.40	95.40	0.72	0.80	0.83	534.0	8081	82

Please contact WEG for 50Hz MV motors from stock.

## Electrical Data - 4160V

Rated Output		Full Load Speed (RPM)	NEMA Frame	Locked Rotor Current (4160V)		Full Load Amps	4160V		
HP	kW			kVA Code	II/In		Full Load Torque - Tn (lb.ft)	Locked Rotor Torque (TI/Tn)	Breakdown torque (Tb/Tn)
150	110	3587	L447/9TS	N	11.4	20.5	220	2.60	4.00
		1790	L447/9T	K	8.3	21.3	440	2.00	3.00
		1190	L447/9T	L	8.1	23.3	662	2.10	3.00
200	150	3582	L447/9TS	N	8.7	26.4	293	2.00	3.00
		1787	L447/9T	H	6.5	27.4	588	1.50	2.30
		1186	L447/9T	H	6.5	29.3	886	1.60	2.30
250	185	3576	5009/10	H	7.5	30.7	367	1.10	2.20
		1785	5009/10	H	6.8	32.2	735	1.50	2.30
		1189	5009/10	H	6.4	34.6	1104	1.60	2.20
300	220	3576	5009/10	H	7.3	36.1	441	1.10	2.30
		1784	5009/10	G	6.5	38.3	883	1.50	2.20
		1185	5009/10	H	6.4	41.2	1329	1.70	2.30
350	260	3577	5009/10	J	8.2	43.2	514	1.25	2.50
		1788	5009/10	J	7.5	47.5	1028	1.90	2.50
		1185	5009/10	H	6.3	48.7	1551	1.80	2.50
400	300	3573	5009/10	H	7.2	49.2	588	1.10	2.20
		1786	5009/10	H	6.7	52.8	1176	1.70	2.20
		1190	5809/10	H	6.3	56.2	1765	1.70	2.20
450	330	3577	5809/10	J	8.2	54.7	661	1.40	2.85
		1789	5009/10	J	7.6	58.8	1321	1.00	2.85
		1192	5809/10	J	7.0	64.3	1982	1.75	2.45
500	370	3574	5809/10	H	7.4	60.5	735	1.30	2.60
		1787	5009/10	H	6.8	65.1	1469	0.90	2.60
		1191	5809/10	H	6.5	70.2	2205	1.60	2.20
550	400	3580	5809/10	J	8.0	68.5	807	1.30	2.70
		1789	5809/10	J	7.8	70.1	1614	1.95	2.50
		1193	5809/10	J	7.1	77.9	2421	1.10	2.90
600	440	3578	5809/10	H	7.2	74.4	881	1.20	2.50
		1787	5809/10	H	7.0	76.2	1763	1.80	2.30
		1192	5809/10	H	6.5	83.5	2643	1.00	2.70
650	480	1790	6806/07	J	7.6	85.2	1907	1.60	2.55
		1193	6808/09	J	7.8	83.1	2861	1.00	2.55
700	515	1790	6806/07	H	6.8	90.3	2054	1.50	2.40
		1193	6808/09	H	7.0	88.1	3081	0.95	2.40
750	560	1790	6808/09	J	7.5	101	2200	1.80	2.45
800	590	1790	6808/09	H	7.0	105	2347	1.70	2.30

Please contact WEG for 50Hz MV motors from stock.

continued on next page

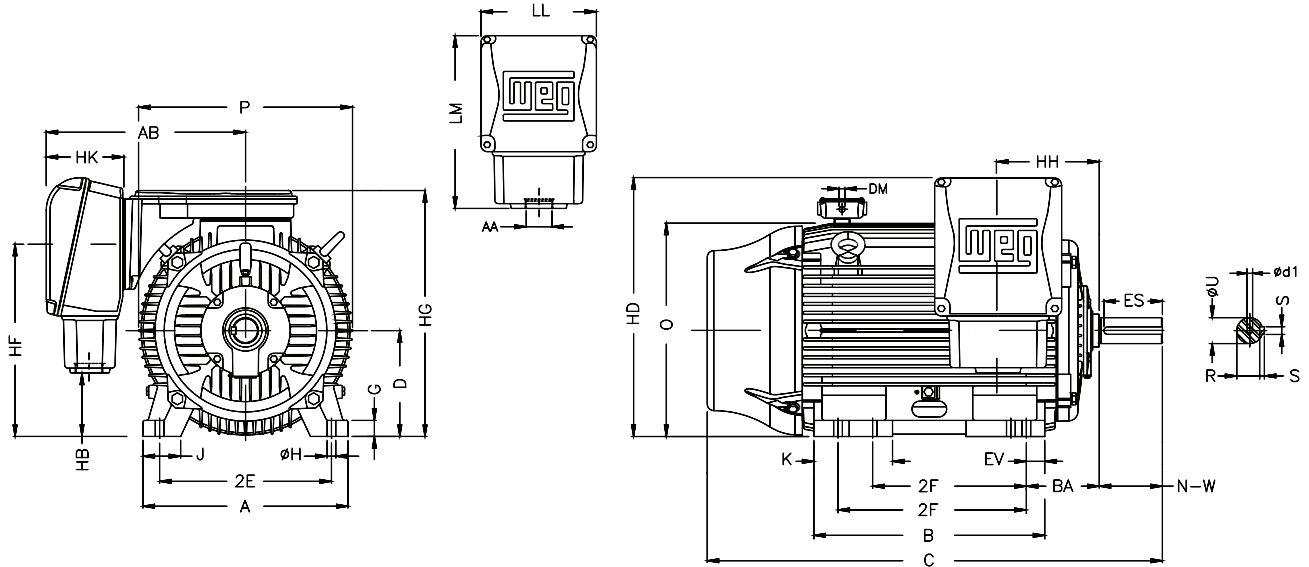


## Electrical Data 4160V (continued)

Rated Output		Efficiency (4160V)			Power Factor (4160V)			Moment of Inertia WK2 (lb.ft <sup>2</sup> )	Approx. Weight (lb)	Approx. Sound Level dB(A)
HP	kW	% of Full load			50	75	100			
		50	75	100						
150	110	89.60	91.90	93.00	0.60	0.72	0.80	37.7	2536	88
		91.00	92.60	93.30	0.57	0.69	0.77	94.9	2386	79
		91.50	93.20	93.60	0.48	0.61	0.70	114.0	2498	71
200	150	92.10	93.40	94.00	0.70	0.80	0.84	37.7	2536	88
		92.60	93.80	93.80	0.67	0.77	0.81	94.9	2386	79
		92.80	93.60	93.60	0.59	0.70	0.76	114.0	2498	71
250	185	93.60	94.10	95.00	0.83	0.87	0.88	83.1	3803	79
		93.00	94.10	95.00	0.70	0.81	0.84	94.9	3971	79
		93.60	94.50	95.00	0.63	0.74	0.78	138.0	4081	77
300	220	93.60	94.10	95.00	0.83	0.87	0.89	88.5	3876	79
		93.60	94.10	95.00	0.72	0.81	0.84	114.0	3797	79
		93.60	94.50	95.00	0.63	0.73	0.78	159.0	4335	77
350	260	93.60	94.50	95.00	0.80	0.86	0.88	99.7	4238	79
		93.60	94.10	95.00	0.65	0.76	0.80	157.0	4328	79
		93.60	94.50	95.00	0.61	0.71	0.78	168.0	4339	77
400	300	94.10	94.50	95.00	0.82	0.87	0.89	99.7	4238	79
		94.10	94.50	95.00	0.70	0.79	0.83	157.0	4328	79
		94.10	94.50	95.00	0.64	0.74	0.78	382.0	5980	77
450	330	94.20	94.90	95.20	0.82	0.87	0.88	142.0	5415	82
		94.10	95.00	95.00	0.67	0.77	0.82	166.0	4522	79
		93.60	94.50	95.00	0.58	0.68	0.75	384.0	5956	77
500	370	94.50	95.00	95.40	0.84	0.89	0.89	142.0	5415	82
		94.50	95.00	95.00	0.71	0.80	0.83	166.0	4522	79
		94.10	94.50	95.00	0.60	0.71	0.77	384.0	5956	77
550	400	94.30	95.10	95.40	0.75	0.82	0.85	159.0	5859	82
		94.50	95.20	95.40	0.71	0.79	0.83	275.0	5828	82
		93.10	94.30	95.00	0.56	0.68	0.75	418.0	6280	77
600	440	94.70	95.40	95.40	0.77	0.83	0.86	159.0	5859	82
		95.00	95.40	95.40	0.73	0.80	0.84	275.0	5828	82
		93.30	94.50	95.00	0.58	0.71	0.77	418.0	6280	77
650	480	94.30	94.80	95.40	0.69	0.79	0.82	427.0	7074	82
		94.80	95.40	95.40	0.72	0.81	0.84	724.0	8500	81
700	515	94.50	95.00	95.40	0.71	0.80	0.83	427.0	7074	82
		95.00	95.40	95.40	0.74	0.82	0.85	724.0	8500	81
750	560	94.90	95.40	95.40	0.68	0.77	0.81	534.0	8081	82
800	590	95.00	95.40	95.40	0.70	0.79	0.82	534.0	8081	82

Please contact WEG for 50Hz MV motors from stock.

## Mechanical Data

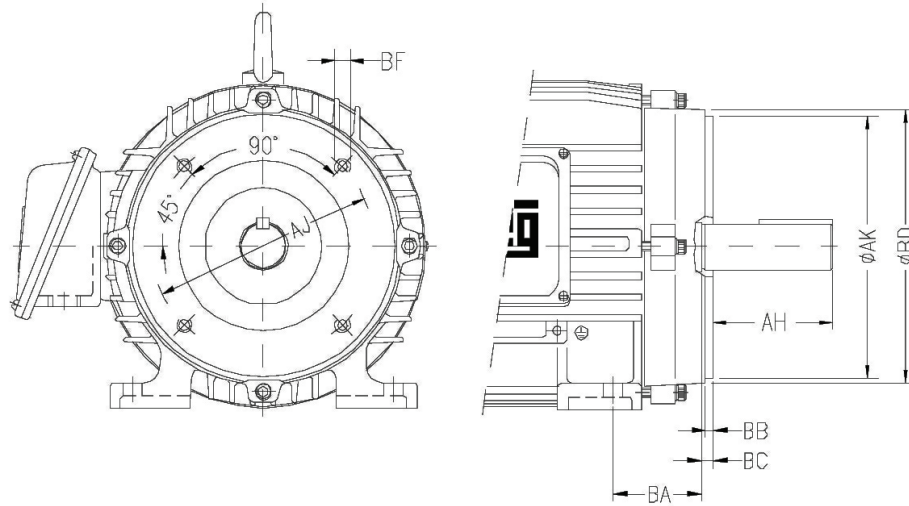


NEMA	Mounting														
	FRAME	2E	2F	EV	H	BA	A	B	C	D	G	J	K	O	P
	L447/9T	18	20	2.638	0.81	7.5	21.929	31.535	57.181	11	1.63	3.937	8.78	23.874	25.866
L447/9TS	25		53.431												

NEMA	KEYWAY				SHAFT EXTENSION		
	FRAME	S	R	ES	N-W	U	
	L447/9T	0.875	2.88	7.087	8.5	3.375	
L447/9TS	0.625	2.021	3	4.75	2.375		

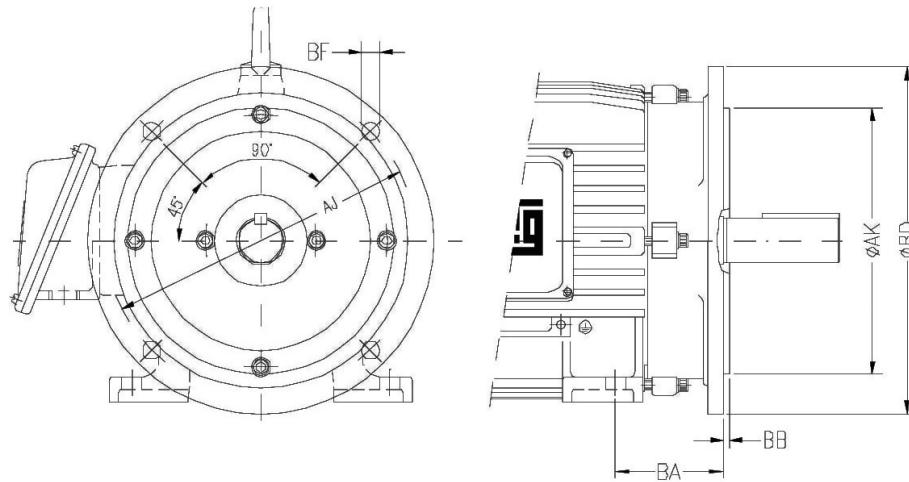
NEMA	TERMINAL BOX												BEARINGS		
	FRAME	AB	HB	HD	HF	HG	HH	HK	LL	LM	AA	DM	d1	D.E.	N.D.E.
	L447/9T	28.543	2.125	30.906	21.024	28.236	11.5	14.291	18.11	28.74	1 x NPT 3"	2 x NPT 3/4"	DUNC 3/4"-10	6322-C3	6319-C3
L447/9TS	6314-C3													6314-C3	

## Mechanical Data



### “C” FLANGE DIMENSIONS

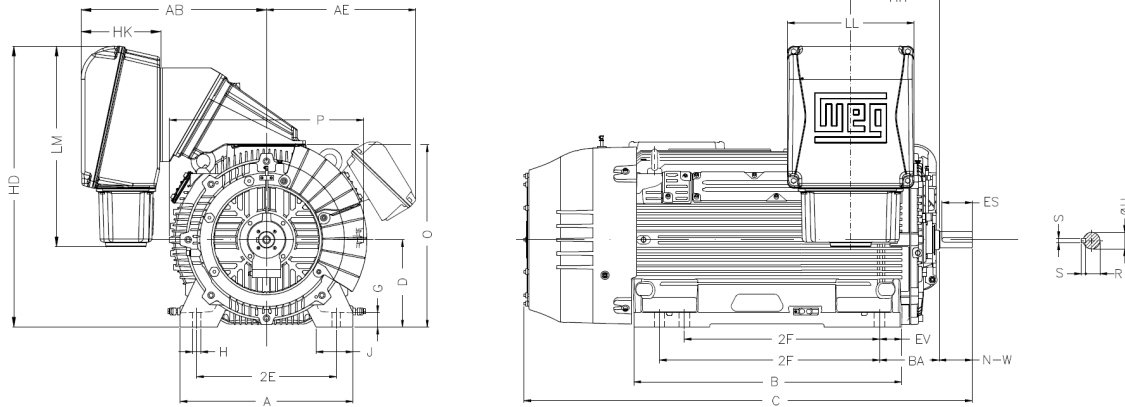
NEMA	“C” FLANGE DIMENSIONS								
	FRAME	BA	AJ	AK	BD	BF	BB	BC	AH
	L447/9T	7.5	14	16	17.91	UNC 5/8” x 11	0.25	0.25	8.25
L447/9TS									



### “D” FLANGE DIMENSIONS

NEMA	“D” FLANGE DIMENSIONS						
	FRAME	BA	AJ	AK	BD	BF	BB
	L447/9T	7.5	20	18	21.65	0.828	0.203
L447/9TS							

## Mechanical Data



### MOUNTING

	FRAME	Speed	2E	2F	EV	H	BA	A	B	C	D	G	J	K	O	P
NEMA	5009/10	2P	20	28.000 / 32.000	3.151	1.181	8.503	24.724	38.585	64.159	12.5	2.073	5.279	11.12	26.083	27.795
		4P & 6P					8.504			70.035						
	5809/10	2P	23	32.000 / 36.000	3.491	1.181	10	29.506	42.415	71.089	14.5	2.498	5.793	11.596	30.051	31.086
		4P & 6P								77.964						
NEMA	6806/07	4P	27	28.000 / 32.000	4.575	1.417	11.5	33.071	42.226	78.224	17	1.967	7.064	11.74	34.52	34.646
	6808/09	4P & 6P		36.000 / 40.000					48.126	84.129				11.737		

### KEYWAY

### SHAFT EXTENSION

	FRAME	Speed	S	R	ES	N-W	U
NEMA	5009/10	2P	0.625	2.02	4.331	4.75	2.375
		4P & 6P	0.875	3.134	9.055	10.625	3.625
	5809/10	2P	0.625	2.021	4.331	4.75	2.375
		4P & 6P	1	3.309	9.843	11.625	3.875
	6806/07	4P	1	3.817	9.843	11.625	4.375
	6808/09	4P & 6P					

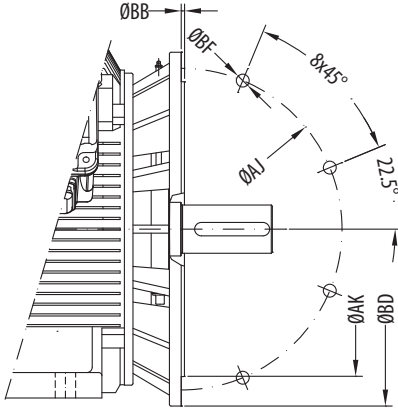
### TERMINAL BOX

	FRAME	Speed	AB	AE	HD	HH	HK	LL	LM	AA	DM	d1
NEMA	5009/10	2P	26.536	21.343	40.196	12.638	11.41	18.11	28.712	1 x NPT 3"	3 x NPT 3/4"	DUNC 3/4"-10
		4P & 6P										DUNC 7/8"-9
	5809/10	2P	26.69	22.397	44.168	13.74	11.41	18.11	28.74	1 x NPT 3"	3 x NPT 3/4"	DUNC 3/4"-10
		4P & 6P										DUNC 7/8"-9
6806/07	4P & 6P	29.901	23.697	48.588	13.862	11.41	18.11	28.72	1 x NPT 3"	3 x NPT 3/4"	DUNC 1"-8	
6808/09												

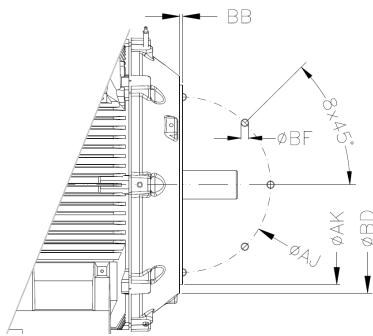
### BEARINGS

	FRAME	Speed	D.E.	N.D.E.
NEMA	5009/10	2P	6314-C3	6314-C3
		4P & 6P	6320-C3	6316-C3
	5809/10	2P	6314-C3	6314-C3
		4P & 6P	6322-C3	6319-C3
	6806/07	4P & 6P	6324-C3	6319-C3
	6808/09			

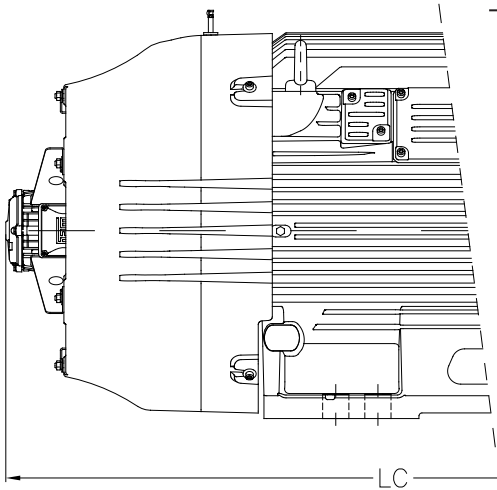
## Mechanical Data



NEMA	"D" FLANGE DIMENSIONS						
	FRAME	FLANGE	BB	AJ	AK	BD	BF
5009/10	D-558		0.250	22.000	18.000	24.000	0.827
5809/10	D-762		0.250	30.000	28.000	32.000	0.827
6806/07	FF-940		0.250	35.252	33.250	37.250	1.000
6808/09	FF-1080		0.250	35.252	33.250	37.250	1.000



NEMA	"C" FLANGE DIMENSIONS						
	FRAME	FLANGE	BB	AJ	AK	BD	BF
5009/10	FC 368		0.25	14.5	16.5	17.9	UNC 5/8"-11 x 8
5809/10			0.25	14.5	16.5	17.9	UNC 1"-8 x 8
6806/7	FC 533		0.25	21	23	24.9	UNC 1"-8 x 8
6808/9	FC 533		0.25	21	23	24.9	UNC 1"-8 x 8



NEMA	MOTOR TOTAL LENGTH WITH INSTALLED BLOWER		
	FRAME	SPEED	C
5009/10		2P	70.577
		4P & 6P	76.432
5809/10		2P	77.486
		4P & 6P	84.361
6806/07		4P	84.621
6808/09		4P & 6P	90.527

## Medium Voltage Worksheet

### LET US KNOW ABOUT YOUR APPLICATION

Please fill in and provide the below information (as much as possible) to ensure WEG's motor design matches your particular application.

Date: / /  
 Submitted by: \_\_\_\_\_ E-mail: \_\_\_\_\_  
 Customer/ Project: \_\_\_\_\_ Specification: \_\_\_\_\_  
 Customer ref.: \_\_\_\_\_

#### MAIN FEATURES:

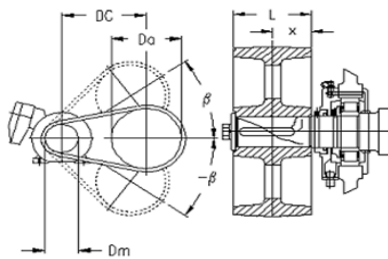
Quantity: \_\_\_\_\_ Voltage: \_\_\_\_\_  
 Number of Poles: \_\_\_\_\_ Frequency: 60 Hz  
 Output: \_\_\_\_\_ (kW/ HP)

#### ADDITIONAL FEATURES:

Cooling System: TEFC  
 Service Factor: \_\_\_\_\_ Rotation (facing DE): \_\_\_\_\_  
 Degree of Protection: IP55  
 Starting Method: \_\_\_\_\_ Duty Cycle: \_\_\_\_\_  
 Temperature Rise: \_\_\_\_\_ Speed Range (V.F.D.): \_\_\_\_\_  
 Ambient Temperature: \_\_\_\_\_ Coupling: \_\_\_\_\_  
 Hazardous Area: Zone/ Division: \_\_\_\_\_ Altitude: \_\_\_\_\_  
 Group/ Class: \_\_\_\_\_ Temp. Class: \_\_\_\_\_

#### Pulley and Belt Coupling:

Coupling Type:

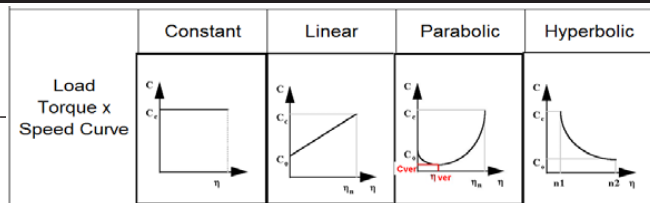


\*DM = \_\_\_\_\_ [in]  
 \*Da = \_\_\_\_\_ [in]  
 \*DC = \_\_\_\_\_ [in]  
 \*L = \_\_\_\_\_ [in]  
 \*x = \_\_\_\_\_ [in]  
 \*β = \_\_\_\_\_ [degrees]  
 \*Weight = \_\_\_\_\_ [lb]  
 \*Number of Belts = \_\_\_\_\_  
 \*Type of Belt = \_\_\_\_\_

\* Just for Pulley & Belt Coupling

#### LOAD DATA:

Driven Machine: \_\_\_\_\_  
 Rotation (rpm): \_\_\_\_\_  
 Inertia (J = sq.ft.lb): \_\_\_\_\_  
 Torque x Speed Curve type: \_\_\_\_\_  
 Absorbed Power: \_\_\_\_\_



#### ADD-ON MODIFICATIONS (Check as necessary):

- |  |  |
|--|--|
| <input type="checkbox"/> Main nameplate change                         | <input type="checkbox"/> Additional Nameplate                    |
| <input type="checkbox"/> Encoder Dynapar HSD38 1024ppr                 | <input type="checkbox"/> Flange                                  |
| <input type="checkbox"/> D-Flange                                      | <input type="checkbox"/> Forced Ventilation (Blower Cooling)     |
| <input type="checkbox"/> Change Direction of Rotation (2P motors only) | <input type="checkbox"/> Ball to Roller Bearing conversion       |
| <input type="checkbox"/> Helwig Shaft grounding brush                  | <input type="checkbox"/> F1 to F2 mounting conversion            |
| <input type="checkbox"/> Oversized NEMA Type II Main terminal box      | <input type="checkbox"/> Terminal Block inside Main terminal box |



## SSW7000

WEG's SSW7000 medium voltage solid-state soft starter is an industrial general-purpose starter package for starting & protecting MV AC motors.

Designed to be rugged, reliable and safe, the SSW7000 is a simple and cost effective solution for demanding applications.

### Key Features & Advantages:

- 4160V & 2300V models in stock (NEMA 12 & NEMA 3R) up to 3000HP (higher voltages & powers available)
- Suitable for service entrance
- Motor protections active in both DOL & RUN modes eliminating the need for expensive motor protection relays for backup protection
- Pump control utilizes a specific algorithm for centrifugal pumps designed to minimize water hammer and pressure overshoots
- Soft PLC function with license-free software
- Flexible Torque Control (FTC) allows adjusting starting torque limit curve with 3 points (ideal for quadratic loads)
- Motor thermal protection via PT100 monitoring available (up to 8 channels)

### Accessories:

- PT100 monitoring (8x channels)
- Network communication modules
- FLASH memory module



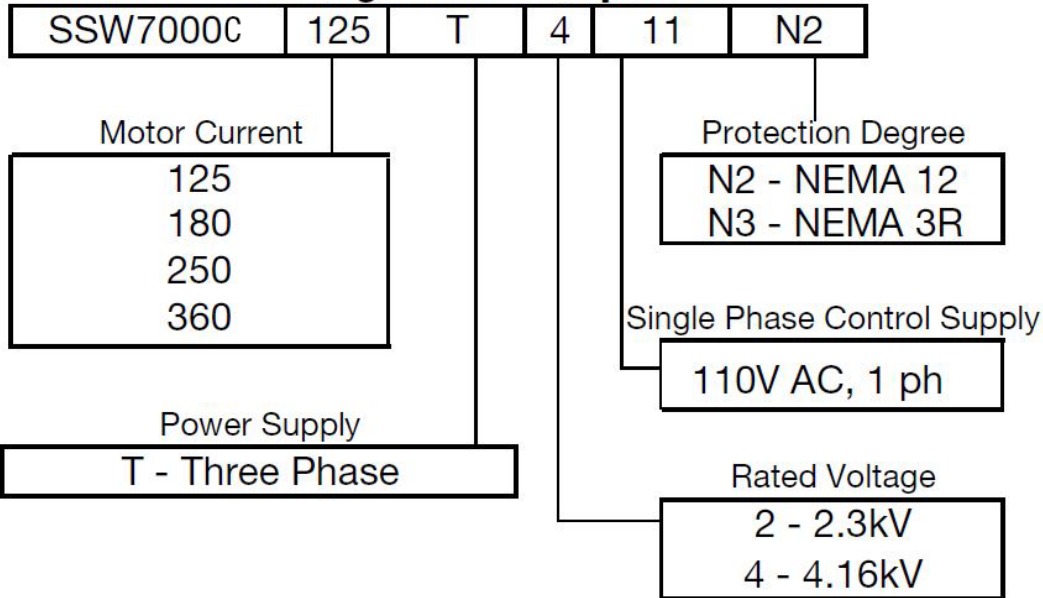
### Features that make a difference:

- Assembled and stocked in the US
- NEMA 12 & NEMA 3R enclosures available
- Emergency DOL start capability (ATL bypass)
- Oriented startup for easy commissioning
- UL 347 listed
- Ground fault monitoring standard



## Product Code

### SSW7000C Catalog Number Sequence



## Rating

Power Supply	Model	Rated Current	Motor Power		List Price	Multiplier
			HP*	kW		
<b>NEMA 12</b>						
2300V, 3PH, 60HZ	SSW7000C125T211N2	125A	550	410	\$55,750	E3
	SSW7000C180T211N2	180A	750	560	\$58,665	
	SSW7000C250T211N2	250A	1100	800	\$65,195	
	SSW7000C360T211N2	360A	1500	1100	\$67,430	
4160V, 3PH, 60HZ	SSW7000C125T411N2	125A	1000	750	\$63,950	
	SSW7000C180T411N2	180A	1500	1100	\$67,195	
	SSW7000C250T411N2	250A	2000	1500	\$75,235	
	SSW7000C360T411N2	360A	3000	2250	\$77,980	
<b>NEMA 3R</b>						
2300V, 3PH, 60HZ	SSW7000C125T211N3	125A	550	410	\$60,820	E3
	SSW7000C180T211N3	180A	750	560	\$63,725	
	SSW7000C250T211N3	250A	1100	800	\$70,255	
	SSW7000C360T211N3	360A	1600	1190	\$73,020	
4160V, 3PH, 60HZ	SSW7000C125T411N3	125A	1000	750	\$69,015	
	SSW7000C180T411N3	180A	1500	1100	\$72,250	
	SSW7000C250T411N3	250A	2000	1500	\$80,295	
	SSW7000C360T411N3	360A	3000	2250	\$83,550	

Note: (\*) The motor power ratings given above are based on WEG 4-pole motors, 4.16kV, 60-Hz, PF=0.87, Eff=0.97, SF=1.  
 For applications with high overloads or special starting conditions, contact WEG's sales force.  
 Current Rating of SSW7000C must be calculated based on the information on load type, load speed/torque curve and required number of starts per hour.  
 All models are available in 220V, 1Ph control voltage.

# Synchronous Alternators

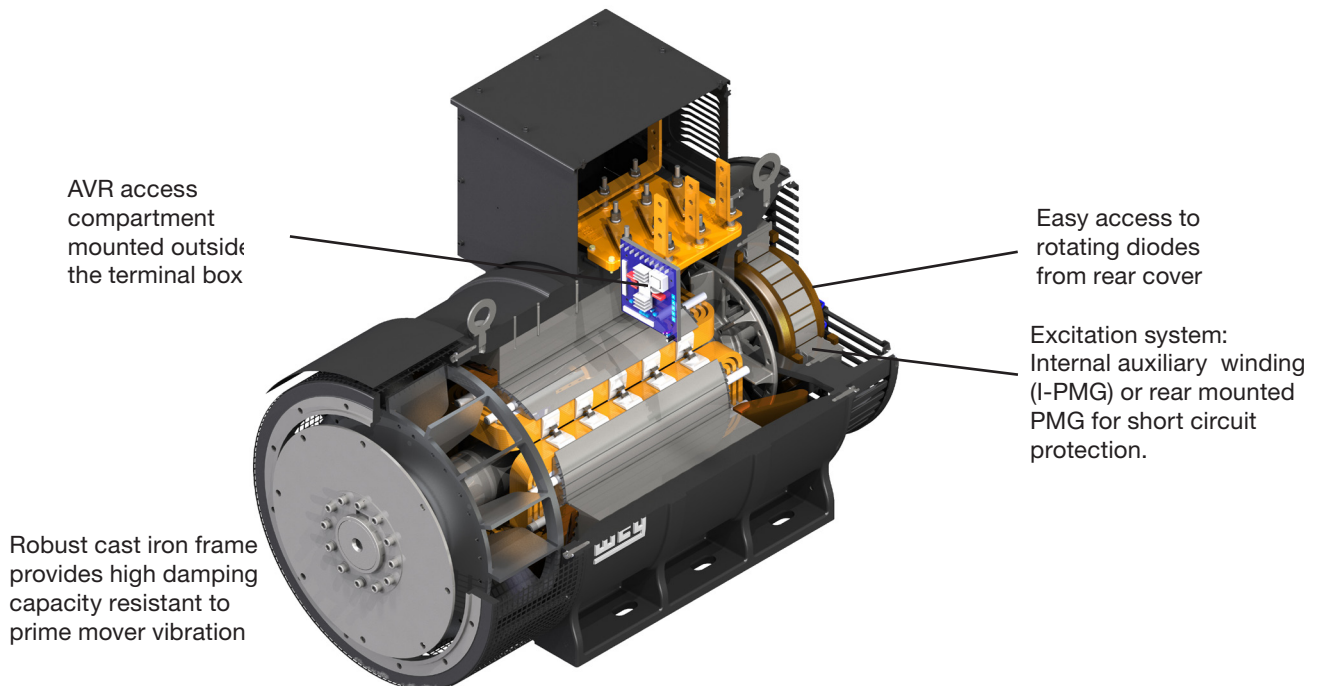
WEG's extensive experience in the manufacturing of alternators in addition to modern design, production capacity and testing facilities, has resulted in a range of brushless synchronous alternators.

The G Plus and AG10 lines are suitable for a wide range of continuous, prime power and standby power applications including:

- Industrial
- Commercial
- Marine
- Telecommunication
- Mining
- Mission Critical
- Irrigation
- Hospitals
- Agriculture
- Aviation and others

## Technical Features:

- Output power: up to 2,500 kVA (others upon request)
- In stock: up to 1000kW / 1250kVA, 480V
- Low voltage: 110 to 690 V
- High voltage: 2,300 to 13,800 V (upon request)
- Frequency: 50 to 60 Hz
- Degree of protection: IP23 (standard), IP44 to IP55W (upon request)
- Insulation class: 180 °C (H) low voltage and 155 °C (F) high voltage
- THD: ≤ 3%
- Number of poles: 4 poles (standard), 6 and 8 poles (upon request)
- Leads: 12 or 6 leads
- Vacuum Pressure Impregnation (VPI) with harsh environment epoxy winding protection as standard



## G Plus Line

Leads	Catalog Number Model	WEG Part Number	DT	SAE	480V - Y					List Price	Multi. Symbol
					240V - YY						
					80°C	105°C	125°C	150°C	163°C		
12	GTA161AIHS	13960615	kVA	4/7.5	14.6	16.8	18.3	19.6	20.3	\$3,501	ALT
			kW		11.7	13.4	14.6	15.7	16.2		
12	GTA161AIHS	14084460	kVA	B3T	14.6	16.8	18.3	19.6	20.3	\$3,501	ALT
			kW		11.7	13.4	14.6	15.7	16.2		
12	GTA161AIHI	13943203	kVA	4/7.5	20.8	23.8	26.0	28.5	29.7	\$3,787	ALT
			kW		16.6	19.0	20.8	22.8	23.8		
12	GTA161AIHI	14084500	kVA	B3T	20.8	23.8	26.0	28.5	29.7	\$3,787	ALT
			kW		16.6	19.0	20.8	22.8	23.8		
12	GTA162AIVD	13943207	kVA	4/7.5	25.9	29.7	42.0	44.0	46.0	\$4,453	ALT
			kW		20.7	23.8	33.6	35.2	36.8		
12	GTA162AIVD	14076066	kVA	4/10	25.9	29.7	42.0	44.0	46.0	\$4,453	ALT
			kW		20.7	23.8	33.6	35.2	36.8		
12	GTA162AIVD	14417107	kVA	B3T	25.9	29.7	42.0	44.0	46.0	\$4,453	ALT
			kW		20.7	23.8	33.6	35.2	36.8		
12	GTA201AIHS	14417163	kVA	B3T	43.4	49.7	54.3	59.5	62.0	\$5,382	ALT
			kW		34.7	39.8	43.4	47.6	49.6		
12	GTA201AIHV	13943281	kVA	3/11.5	56.4	64.6	70.5	77.2	81.0	\$5,674	ALT
			kW		45.1	51.7	56.4	61.8	64.8		
12	GTA201AIHV	14417168	kVA	4/10	56.4	64.6	70.5	77.2	81.0	\$5,674	ALT
			kW		45.1	51.7	56.4	61.8	64.8		
12	GTA201AIHB	14417194	kVA	B3T	68.5	78.5	85.6	92.2	92.2	\$6,357	ALT
			kW		54.8	62.8	68.5	73.8	73.8		
12	GTA201AIHB	14417179	kVA	4/10	68.5	78.5	85.6	92.2	92.2	\$6,357	ALT
			kW		54.8	62.8	68.5	73.8	73.8		
12	GTA201AIHB	14417007	kVA	4/7.5	68.5	78.5	85.6	92.2	92.2	\$6,357	ALT
			kW		54.8	62.8	68.5	73.8	73.8		
12	GTA201AIHE	13943282	kVA	3/11.5	66.1	75.7	88.0	95.0	97.0	\$6,507	ALT
			kW		52.9	60.6	70.4	76.0	77.6		
12	GTA202AIVS	13943283	kVA	3/11.5	88.0	101.0	110.0	116.0	120.0	\$7,037	ALT
			kW		70.4	80.8	88.0	92.8	96.0		
12	GTA202AIVS	14417226	kVA	B3T	88.0	101.0	110.0	116.0	120.0	\$7,037	ALT
			kW		70.4	80.8	88.0	92.8	96.0		
12	GTA202AIVJ	13943284	kVA	3/11.5	107	123	141	144	150	\$8,058	ALT
			kW		85.8	98.2	112.8	115.2	120.0		
12	GTA202AIVJ	14417242	kVA	B3T	107	123	141	144	150	\$8,058	ALT
			kW		85.8	98.2	112.8	115.2	120.0		
12	GTA251AIHD	13943285	kVA	3/11.5	140	161	175	188	189	\$9,165	ALT
			kW		112	129	140	150	151		
12	GTA251AIHD	14417252	kVA	B3T	140	161	175	188	189	\$9,165	ALT
			kW		112	129	140	150	151		
12	GTA251AIHE	13943286	kVA	3/11.5	180	206	225	243	252	\$10,725	ALT
			kW		144	165	180	194	202		

Alternators

G Plus

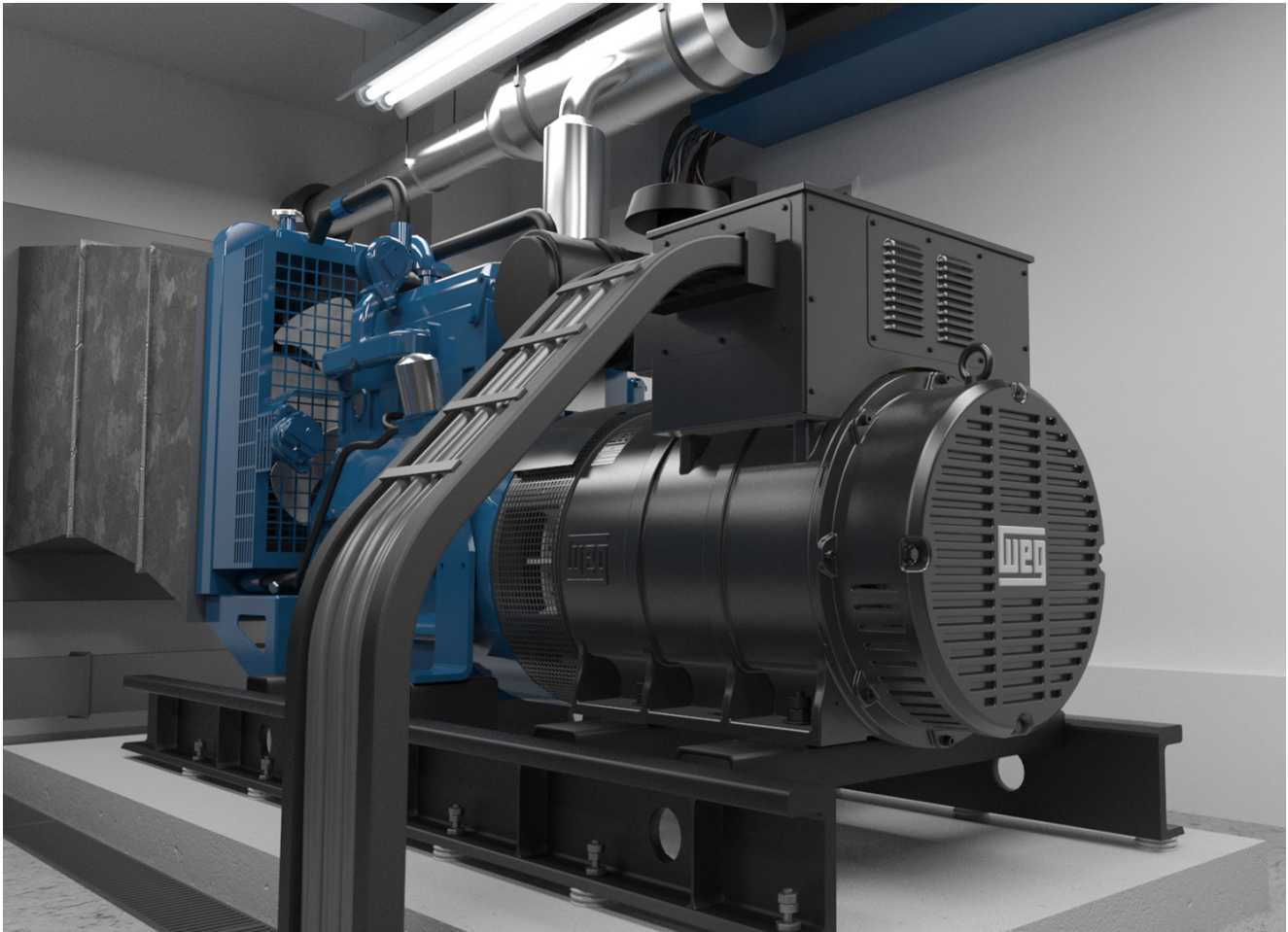
## AG10 Line

Leads	Catalog Number Model	WEG Part Number	DT	SAE	480V - Y					List Price	Multi. Symbol	
					240V - YY							
					80°C	105°C	125°C	150°C	163°C			
AG10	12	AG10250SI50AI	13943287	kVA	1/14	208	238	260	290	295	\$11,723	ALT
				kW		166	190	208	232	236		
	12	AG10250SI50AI	14415907	kVA	2/11.5	208	238	260	290	295	\$11,723	ALT
				kW		166	190	208	232	236		
	12	AG10250MI60AI	13943309	kVA	1/14	250	288	312	345	360	\$12,665	ALT
				kW		200	230	250	276	288		
	12	AG10250MI70AI	13943310	kVA	1/14	292	335	365	400	417	\$14,625	ALT
				kW		234	268	292	320	334		
	12	AG10250MI80AI	13943311	kVA	1/14	324	371	405	460	470	\$15,561	ALT
				kW		259	297	324	368	376		
	12	AG10280MI50AI	14092871	kVA	1/14	378	440	472	517	550	\$16,948	ALT
				kW		302	352	378	414	440		
	12	AG10280MI60AI	13943312	kVA	1/14	412	472	515	550	580	\$18,802	ALT
				kW		330	378	412	440	464		
12	AG10315MI50AI	13943315	kVA	1/14	520	596	650	700	750	\$21,388	ALT	
			kW		416	477	520	560	600			
12	AG10315MI60AI	13943314	kVA	1/14	570	650	710	780	825	\$23,985	ALT	
			kW		456	520	568	624	660			
12	AG10315MI70AI	14092872	kVA	1/14	642	736	803	875	906	\$26,638	ALT	
			kW		514	589	642	700	725			
12	AG10315LI90AI	14092873	kVA	1/14	832	953	1040	1100	1160	\$35,691	ALT	
			kW		666	762	832	880	928			
12	AG10355MI65AI	14416985	kVA	0/18	1000	1146	1250	1310	1380	\$42,822	ALT	
			kW		800	917	1000	1048	1104			
12	AG10355MI70AI	13943317	kVA	0/18	1120	1283	1400	1450	1520	\$48,750	ALT	
			kW		896	1026	1120	1160	1216			

## Modifications

	Modifications	Description	List Price USD	Multi. Symbol
E-35	Space heater 120 / 240V	160 - 200 models	\$350	ALT
E-35	Space heater 120 / 240V	250 - 280 models	\$425	ALT
E-35	Space heater 120 / 240V	315 - 400 models	\$450	ALT
PM-10	External PMG	250 models	\$1,950	ALT
PM-20	External PMG	280 models	\$2,025	
PM-20	External PMG	315 - 400 models	\$2,450	

Alternators



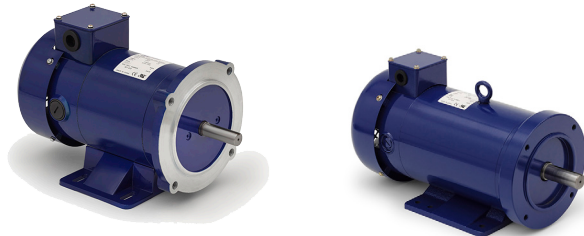
NEMA 56 PMDC Motors .....	A-304
NEMA 145TC PMDC Motors .....	A-305
Brushes for RAE "MT" Motors .....	A-305
M1600 Permanent Magnet Motor - 2.375" diameter .....	A-306
M4000 Permanent Magnet Motor - 3.12" diameter .....	A-307
Dimensions .....	A-308
<b>Parallel Shaft Gearmotors</b>	
GIL 100 Series Gearbox .....	A-308
GIL 200 Series Gearbox .....	A-309

## DC Motors and Gearmotors

WEG DC motors and gearmotors are designed for industrial-strength, continuous duty applications. Our broad range of PMDC motors, gearmotors and wound field motors can be modified to meet your specific application requirements. We offer off-the-shelf products and custom OEM designs. All the standard WEG DC motors and gearmotors are interchangeable with most major brands and are UL/ CSA approved to meet the needs of most general industries.

WEG DC products have been used in many industries for several decades, including:

- Packaging Equipment
- Material Handling
- Office Machinery
- Pumps
- Door/ Gate Openers
- Food Processing
- Lawn/ Garden
- Medical/ Lab Equipment



WEG can provide a complete custom industrial-duty DC-powered solution for all your application needs by developing a custom designed control for the motor. Our team has been developing DC controls for many industries for decades. Let us help you differentiate your product by working to your specifications. For more information on our DC control capabilities, please contact your local sales person or contact us at 815-385-3500.



## PERMANENT MAGNET DC MOTORS

### NEMA Frame MT Motors



- SCR Rated
- 20:1 Constant torque speed range
- 1.0 Service Factor - Continuous Duty (S1)
- Rolled Steel Frame Construction
- C-Face with Removable bolt-on base
- Class F Insulation
- Ambient temperature up to 40°C
- Permanently lubricated ball bearings
- High Starting Torque and Increased Efficiency
- UL Recognized / CSA Approved and CE Marked
- Replaceable brushes

### NEMA Frame PMDC Motors (90& 180VDC)

HP	Catalog Number	Full Load RPM	NEMA Frame	Voltage (DC)	Enclosure	Full Load Amps (A)	App. Weight	"L" Dimension Max	List Price	Multiplier
1/4	MT-031	1750	56C	90	TEFC	2.90	19	9.63	\$516	DC1
	MT-041	1750	56C	180	TEFC	1.30	19	9.63	\$516	DC1
1/3	MT-033	1750	56C	90	TEFC	3.70	20	9.63	\$563	DC1
	MT-042	1750	56C	180	TEFC	1.85	20	9.63	\$563	DC1
1/2	MT-032	1750	56C	90	TEFC	5.20	22	10.24	\$644	DC1
	MT-043	1750	56C	180	TEFC	2.60	22	10.24	\$644	DC1
3/4	MT-035	1750	56C	90	TEFC	7.80	28	11.67	\$791	DC1
	MT-044	1750	56C	180	TEFC	3.90	28	11.67	\$791	DC1
1	MT-034	1750	56C	90	TEFC	10.4	32	13.05	\$930	DC1
	MT-037	1750	56C	180	TEFC	5.2	32	13.05	\$930	DC1
1-1/2	MT-038	1750	145TC	180	TEFC	8.0	47	15.60	\$1,590	DC1
2	MT-039	1750	145TC	180	TEFC	9.5	65	16.50	\$2,093	DC1
3	MT-040	1750	145TC	180	TEFC	14.0	72	18.70	\$2,930	DC1

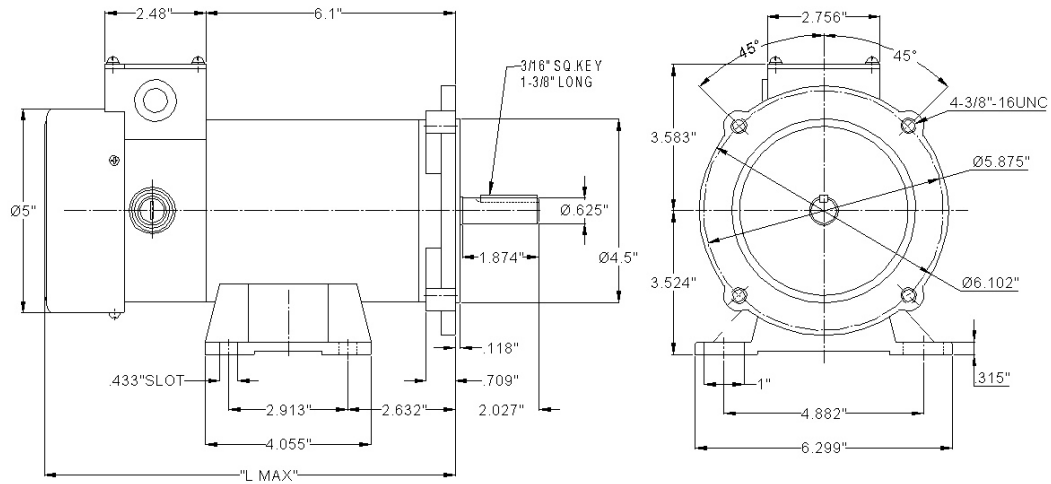
Note: 1/4-1/2HP models have 4.45" frame diameter.  
3/4 & 1HP models have 4.85" frame diameter.

### NEMA Frame Low Voltage PMDC Motors (12 & 24VDC)

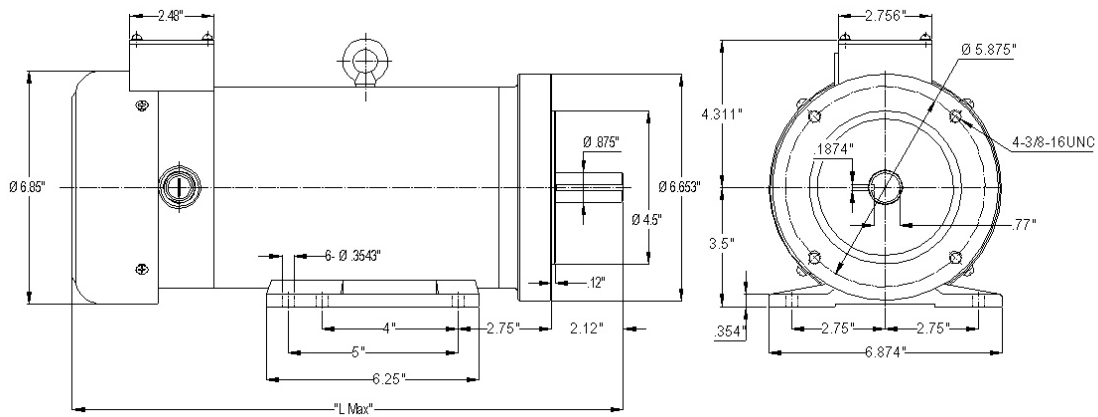
HP	Catalog Number	Full Load RPM	NEMA Frame	Voltage (DC)	Enclosure	Full Load Amps (A)	App. Weight	"L" Dimension Max	List Price	Multiplier
1/4	MT-065	1750	56C	12	TENV	21.00	18	9.63	\$613	DC1
	MT-066	1750	56C	24	TENV	10.50	18	9.63	\$613	DC1
1/3	MT-067	1750	56C	12	TENV	28.00	19	9.63	\$674	DC1
	MT-068	1750	56C	24	TENV	14.00	19	9.63	\$645	DC1
1/2	MT-069	1750	56C	12	TENV	40.80	22	10.24	\$702	DC1
	MT-070	1750	56C	24	TENV	20.50	22	10.24	\$669	DC1
3/4	MT-071	1750	56C	12	TENV	61.20	28	11.67	\$773	DC1
	MT-072	1750	56C	24	TENV	28.30	28	11.67	\$701	DC1
1	MT-073	1750	56C	12	TENV	83.0	33	13.05	\$921	DC1
	MT-074	1750	56C	24	TENV	41.5	33	13.05	\$849	DC1



### NEMA 56 Dimensions



### NEMA 145TC Dimensions



Direct Interchange to Many Popular Brands in the Industry

### BRUSHES FOR RAE "MT" MOTORS

- List price for one brush. It is best to replace both brushes at the same time. Two brush kits required per motor.

RAE PART NUMBER	MOTOR FRAME SIZE	MOTOR HP RANGE	List Price	Multipiler
<b>MT-56BS</b>	56C	¼ - ½ HP	<b>\$34</b>	DC1
<b>MT-75BS</b>	56C	¾ - 1 HP	<b>\$34</b>	DC1
<b>MT-145BS</b>	145C	1.5 - 3 HP	<b>\$41</b>	DC1

DC Motors and Gearmotors

## PERMANENT MAGNET DC MOTORS

### M1600

The M1600 Series Permanent Magnet Motor features a compact 2.375" diameter design that provides continuous duty torque ratings.

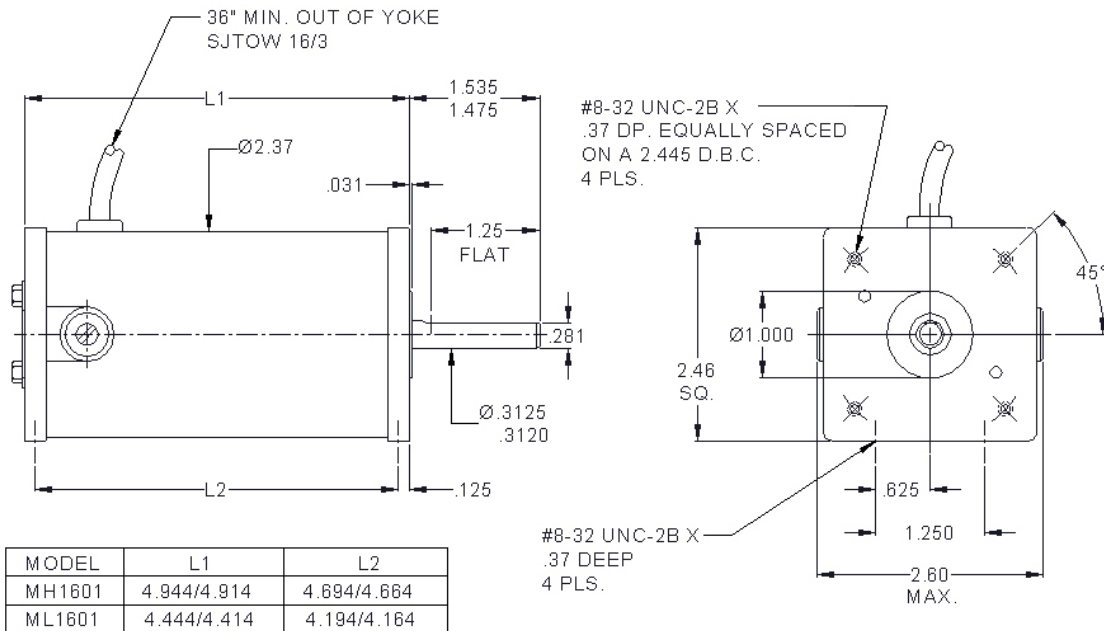
#### Features

- High Energy Ceramic Magnets
- Double Shielded Ball Bearings
- Dynamically Balanced Armature
- Reversible Design
- 36" Cord
- TENV Design
- Square End Bells
- Externally Replaceable Brushes
- Optional Sleeve Bearings
- Value added options and modifications available
- 1/30 hp - 1/8 hp
- Speeds up to 5000 rpm
- 12 - 115 VDC
- 0.312" Maximum Shaft Diameter
- 1.00" Standard Pilot Diameter
- Class "F" Insulation



Catalog Number	Hp	Voltage	RPM	FLA	List Price	Multiplier
MH1601	1/20	90	1800	0.61	\$258	DC1
ML1601	1/20	12	1800	4.50	\$228	DC1

#### M1600 Dimensions



#### Quick Interchange Guide

WEG Catalog Number	Dayton	Leeson
MH1601	3XE22, 4Z142	M1110003.00
ML1601	3XE19, 4Z145	M1110006.00

Many other models available for Quick Interchange

### M4000

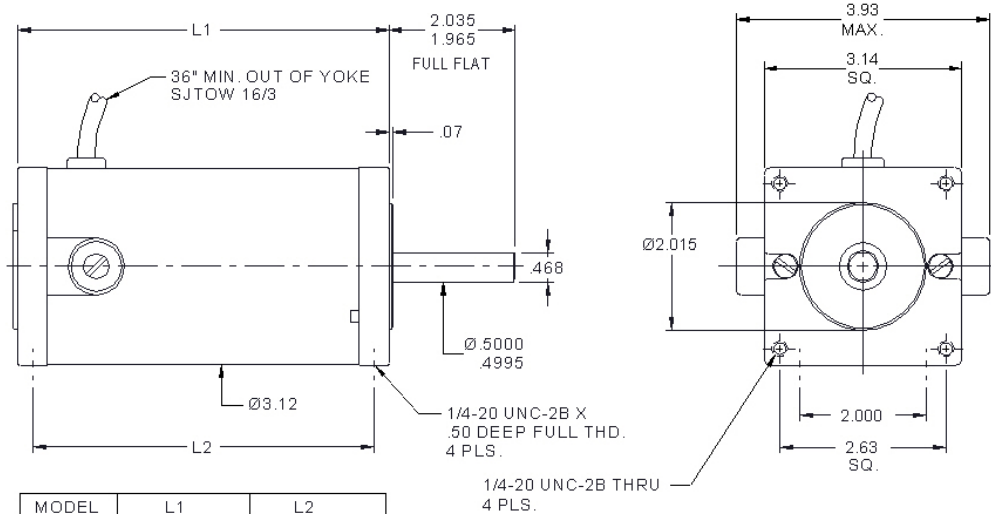
The M4000 Series Permanent Magnet Motor offers the design engineer a great deal of flexibility in a 3.12" diameter motor design that provides continuous duty torque ratings.

#### Features

- High Energy Ceramic Magnets
- Double Shielded Ball Bearings
- Dynamically Balanced Armature
- Reversible Design
- 36" Cord
- TENV Design
- Square End Bells
- Externally Replaceable Brushes
- Value added options and modifications available (1/30 hp - 1/4 hp)
- Speeds up to 3500 rpm
- 12 - 180 VDC
- 0.500" Maximum Shaft Diameter
- 2.015" Standard Pilot Diameter
- Class "F" Insulation



Catalog Number	Hp	Voltage	RPM	FLA	List Price	Multiplier
MH4301	1/8	90	1800	1.30	\$337	DC1
MH4401	1/6	90	1800	1.80	\$344	DC1
ML4301	1/8	12	1800	10.20	\$351	DC1
ML4401	1/6	12	1800	15.20	\$372	DC1



MODEL	L1	L2
MH4301	6.915/6.860	6.457/6.382
MH4401	7.915/7.860	7.457/7.382
ML4301	6.915/6.860	6.457/6.382
ML4401	7.915/7.860	7.457/7.382

M4000 Dimensions

#### Quick Interchange Guide

WEG Catalog Number	Dayton	Leeson
MH4301	4Z140	M1120027.00
MH4401	4Z528	M1120042.00
ML4301	4Z143	M1120044.00
ML4401	4Z529	M1120046.00

Many other models available for Quick Interchange

## PARALLEL SHAFT GEARMOTORS

### GIL100 Series

The GL100 Series Gearmotor is a versatile parallel shaft, medium torque design offering low noise levels and longer life for reliable service in any industrial application.

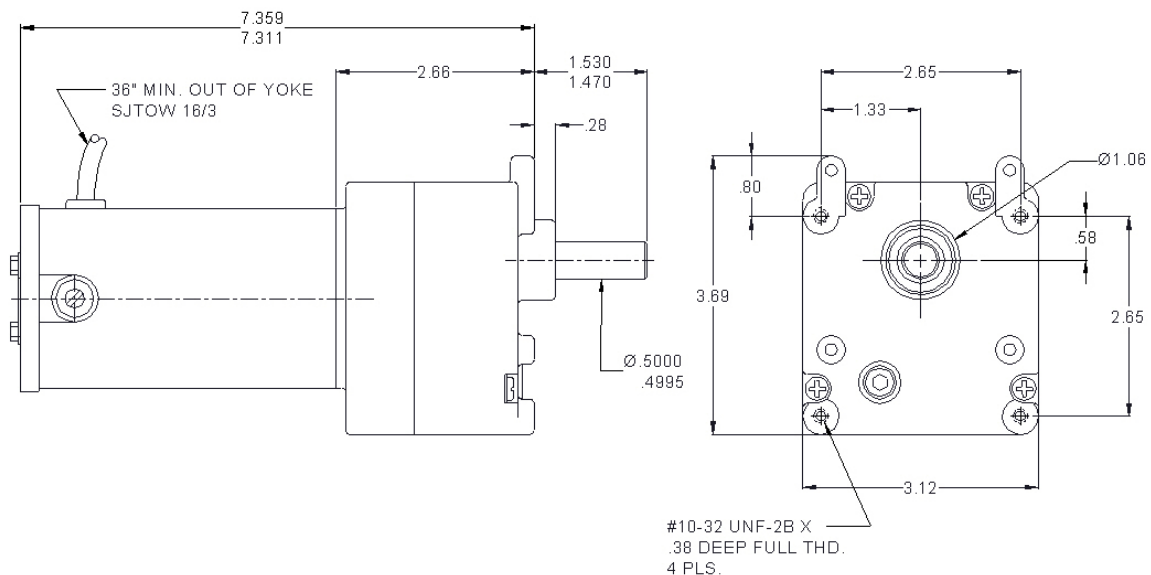
#### Features

- Gearbox Designed to AGMA Standards
- Oil Filled
- Needle Bearings (Gearbox)
- High Energy Ceramic Magnets
- Double Shielded Ball Bearings (Motor)
- Dynamically Balanced Armature
- Reversible Design
- 36" "Cord
- TENV Design
- Externally Replaceable Brushes
- Value Added Options and Modifications Available
- Rating up to 100 in-lbs
- Speeds up to 250 rpm
- 12 up to 115 VDC
- 16:1 up to 488:1 Ratios
- 0.500" Maximum Shaft Diameter
- Class "F" Insulation
- Interchangeable with most popular brands



Catalog Number	Gearmotor	Hp	Voltage	RPM	FLA	Ratios	FLT in-lbs	List Price	Multiplier
<b>GH1001</b>	Parallel	1/20	90	4	0.20	488	100	<b>\$470</b>	DC1
<b>GH1002</b>	Parallel	1/20	90	6	0.24	340	100	<b>\$470</b>	DC1
<b>GH1003</b>	Parallel	1/17	90	10	0.30	172	100	<b>\$470</b>	DC1
<b>GH1004</b>	Parallel	1/17	90	40	0.44	52	50	<b>\$460</b>	DC1
<b>GH1005</b>	Parallel	1/17	90	65	0.46	31	30	<b>\$460</b>	DC1
<b>GH1006</b>	Parallel	1/17	90	90	0.46	16	20	<b>\$460</b>	DC1

DC Motors and Gearmotors



### GIL200

The GIL200 Series Gearmotor is a versatile parallel shaft design offering high torque, low noise levels and long life for reliable service in any industrial application.

#### Features

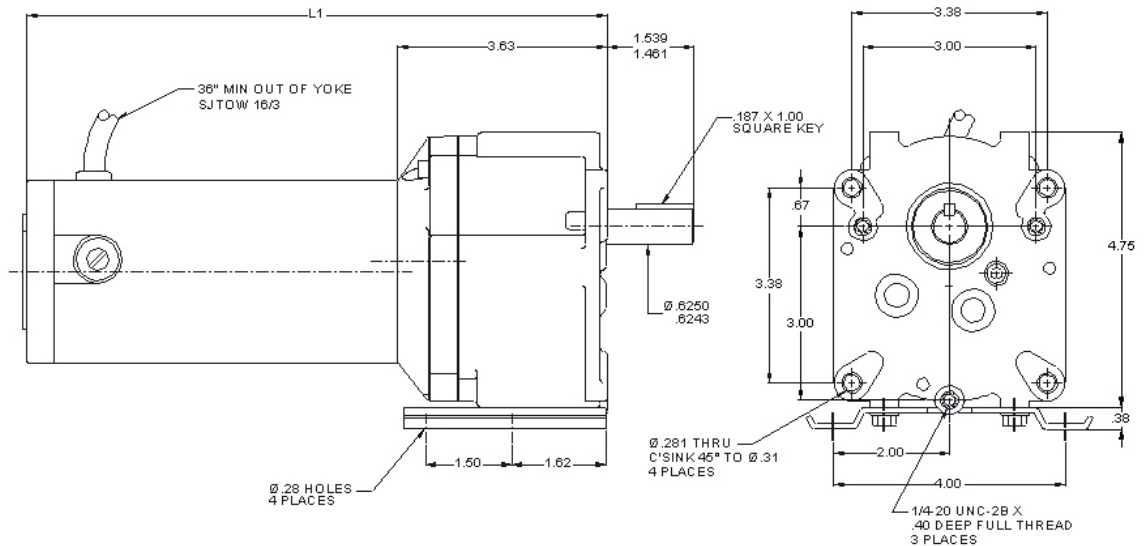
- TENV Design
- Gearbox Designed to AGMA Standards
- Oil Lubrication
- Needle Bearings (Gearbox)
- Double Shielded Ball Bearings (Motor)
- Dynamically Balanced Armature
- Reversible Design
- Externally Replaceable Brushes
- Value Added Options and Modifications Available
- Rating up to 300 in-lbs
- 12 up to 180 VDC
- 5:1 up to 343:1 Ratios
- 0.625" Standard Shaft Diameter
- Class "F" Insulation
- Interchangeable with most popular brands



Catalog Number	Gearmotor	Hp	Voltage	RPM	FLA	Ratios	FLT in-lbs	List Price	Multiplier
<b>GH2001</b>	Parallel	1/20	90	6	0.59	343	290	<b>\$651</b>	DC1
<b>GH2002</b>	Parallel	1/20	90	9	0.75	202	268	<b>\$651</b>	DC1
<b>GH2003</b>	Parallel	1/20	90	18	0.80	103	150	<b>\$651</b>	DC1
<b>GL2001</b>	Parallel	1/20	12	6	3.89	343	290	<b>\$656</b>	DC1
<b>GH2004</b>	Parallel	1/8	90	21	1.30	88	280	<b>\$656</b>	DC1
<b>GH2005</b>	Parallel	1/8	90	26	1.58	69	280	<b>\$663</b>	DC1
<b>GH2006</b>	Parallel	1/8	90	32	1.50	58	220	<b>\$663</b>	DC1
<b>GH2007</b>	Parallel	1/8	90	54	1.51	34	138	<b>\$663</b>	DC1
<b>GH2008</b>	Parallel	1/8	90	61	1.42	30	113	<b>\$653</b>	DC1
<b>GH2009</b>	Parallel	1/8	90	91	1.58	20	86	<b>\$653</b>	DC1
<b>GH2010</b>	Parallel	1/8	90	165	1.57	11	47	<b>\$653</b>	DC1
<b>GH2011</b>	Parallel	1/8	90	364	1.55	5	21	<b>\$667</b>	DC1
<b>GL2002</b>	Parallel	1/8	12	31	12.00	58	220	<b>\$667</b>	DC1
<b>GL2003</b>	Parallel	1/8	12	61	11.40	30	113	<b>\$658</b>	DC1
<b>GL2004</b>	Parallel	1/8	12	163	12.60	11	47	<b>\$658</b>	DC1

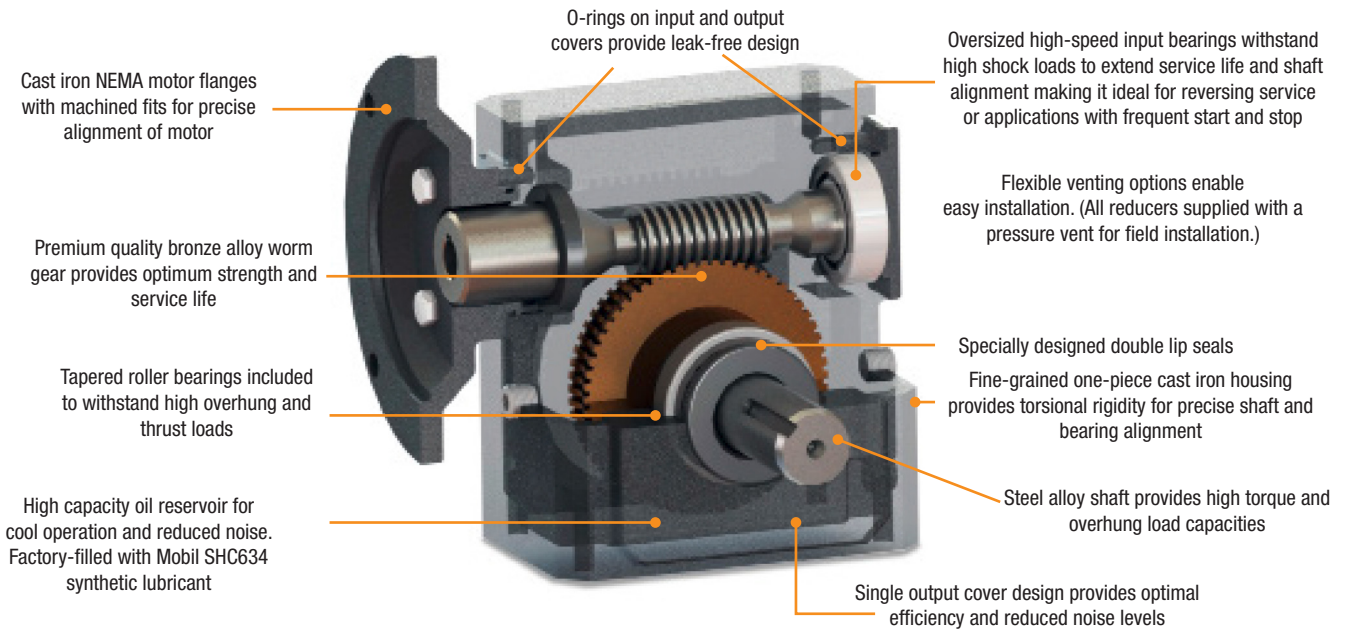
DC Motors and Gearmotors

MODEL	L1
GL2001	8.081/8.006
GL2002	10.081/10.006
GL2003	10.081/10.006
GL2004	10.081/10.006
GH2002	8.081/8.006
GH2003	8.081/8.006
GH2004	10.081/10.006
GH2005	10.081/10.006
GH2006	10.081/10.006
GH2007	10.081/10.006
GH2008	10.081/10.006
GH2009	10.081/10.006
GH2010	10.081/10.006
GH2011	10.081/10.006



TG-90™ Model Information . . . . .	A-312
TG-90™ Quill Type Speed Reducers . . . . .	A-312
TG-90™ Solid Shaft Speed Reducers . . . . .	A-316
Dimensions . . . . .	A-320

WEG's Line of right angle gear reducers has been a leading source to the industry for over 60 years. Designed for reliability and long life, the TG-90 series comes in a variety of sizes and styles. Our robust design is precision engineered and manufactured to fit a variety of applications. Ideal for use on conveyors, material handling and packaging machinery, lift gates, hoists, and many other applications, the TG-90 series proves to be a versatile choice for all your gearing needs.



Speed Reducers

## Features:

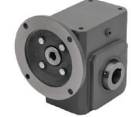
- Cast iron housing construction
- Forged manganese bronze worm gear for added strength
- Oversized high-speed input bearings to withstand high shock loads
- Oversized output tapered roller bearings to withstand high overhung and thrust loads
- Specially designed double lip seals maximize life and minimize potential for leaks
- High capacity oil reservoir filled with synthetic oil for cool operation, long life and maximize torque capacity
- Available in 56C, 143TC and 180TC quill or solid shaft input mounting
- Eight gear ratios available from 5:1 to 60:1
- Coming soon - accessory mounting kits to increase modularity for interchange to competitor's product
- WEG TG gear reducers are interchangeable to many brands, including Grove Gear, Boston Gear, Hub City, Worldwide and many more.

## MODEL NUMBER INFORMATION

STYLE	SIZE	RATIO	OUTPUT SHAFT	MOTOR MOUNT	OUTPUT BORE CODE
TQ - Quill Input	13 - 1.33" CD	5 10 15 20 30 40 50 60	L - Left Hand	56 -56C	(Hollow output shaft only) Refer to table below for available bores
TS- Shaft Input	15 - 1.54" CD		R - Right Hand	140 - 143/5TC	
	18 - 1.75" CD		D - Double	180 - 182/4TC	
	21 - 2.06" CD		H - Hollow	"Blank" - shaft input	
	24 - 2.37" CD				
	26 - 2.63" CD				
<b>TQ</b>	<b>21</b>	<b>60</b>	<b>L</b>	<b>56</b>	



C-Face Input/Solid Shaft Output



C-Face or Shaft Input/  
Hollow Bore Output



Shaft Input/Solid Shaft Output



Shaft Input/Hollow Shaft Output

## TG-90 Available Output Bores

Fraction Size	Decimal Size	Output Bore Code	Reducer Size					
			13	15	18	21	24	26
5/8	0.625	10						
11/16	0.688	11						
3/4	0.750	12						
7/8	0.875	14						
1	1.000	16						
1-1/8	1.125	18						
1-3/16	1.188	19						
1-1/4	1.250	20						
1-7/16	1.438	23						
1-1/2	1.500	24						

## TG90 OVERHUNG LOAD RATINGS

Model	Single Output Shaft Max. Over-hung Load (lb)	Dual Output Shaft Max. Over-hung Load (lb)	Hollow Output Shaft Max. Over-hung Load (lb)
T13	425	213	425
T15	655	328	655
T18	925	463	925
T21	1200	600	1200
T24	1670	835	1670
T26	1665	833	1665

# TG-90™ Quill Type Speed Reducers

	Service Class I Torque Ratings (1.0 Service Factor)
	Service Class II Torque Ratings (≥ 1.4 Service Factor)
	Service Class III Torque Ratings (≥ 2.0 Service Factor)



Nominal Output RPM @ 1750 RPM In	Gear Ratio	Continuous Duty Output Torque (In-Lbs) Based on 1750 RPM Motor								Max Input HP	Max Output Torque Rating In-Lbs	NEMA Motor Mount	Catalog Number	List Price	Multi. Symbol	
		0.25	0.33	0.5	0.75	1	1.5	2	3							5
350	5:1			83	124	166					1.32	218	56C	TQ135L56SP	\$509	TG
				83	124	166					1.32	218	56C	TQ135R56SP	\$509	
				83	124	166					1.32	218	56C	TQ135D56SP	\$515	
				83	124	166					1.32	218	56C	TQ135H56SP	\$538	
					124	166	250				1.89	313	140TC	TQ155L140SP	\$558	
					124	166	250				1.89	313	140TC	TQ155R140SP	\$558	
					124	166	250				1.89	313	140TC	TQ155D140SP	\$569	
					124	166	250				1.89	313	140TC	TQ155H140SP	\$593	
						167	251	335			2.50	418	140TC	TQ185L140SP	\$575	
						167	251	335			2.50	418	140TC	TQ185R140SP	\$575	
						167	251	335			2.50	418	140TC	TQ185D140SP	\$586	
						167	251	335			2.50	418	140TC	TQ185H140SP	\$643	
							251	335	502		3.65	611	140TC	TQ215L140SP	\$590	
							251	335	502		3.65	611	140TC	TQ215R140SP	\$590	
							251	335	502		3.65	611	140TC	TQ215D140SP	\$600	
							251	335	502		3.65	611	140TC	TQ215H140SP	\$669	
								335	502	837	4.89	819	140TC	TQ245L140SP	\$712	
								335	502	837	4.89	819	140TC	TQ245R140SP	\$712	
								335	502	837	4.89	819	140TC	TQ245D140SP	\$723	
								335	502	837	4.89	819	140TC	TQ245H140SP	\$805	
						335	502	837	5.36	1037	140TC	TQ265L140SP	\$876			
						335	502	837	5.36	1037	140TC	TQ265R140SP	\$876			
						335	502	837	5.36	1037	140TC	TQ265D140SP	\$904			
						335	502	837	5.36	1037	140TC	TQ265H140SP	\$990			
175	10:1		105	158	238						0.85	269	56C	TQ1310L56SP	\$509	TG
			105	158	238						0.85	269	56C	TQ1310R56SP	\$509	
			105	158	238						0.85	269	56C	TQ1310D56SP	\$515	
			105	158	238						0.85	269	56C	TQ1310H56SP	\$538	
				160	240	321					1.19	382	140TC	TQ1510L140SP	\$558	
				160	240	321					1.19	382	140TC	TQ1510R140SP	\$558	
				160	240	321					1.19	382	140TC	TQ1510D140SP	\$569	
				160	240	321					1.19	382	140TC	TQ1510H140SP	\$593	
					243	324	486				1.59	514	140TC	TQ1810L140SP	\$575	
					243	324	486				1.59	514	140TC	TQ1810R140SP	\$575	
					243	324	486				1.59	514	140TC	TQ1810D140SP	\$586	
					243	324	486				1.59	514	140TC	TQ1810H140SP	\$643	
						324	486	648			2.33	755	140TC	TQ2110L140SP	\$590	
						324	486	648			2.33	755	140TC	TQ2110R140SP	\$590	
						324	486	648			2.33	755	140TC	TQ2110D140SP	\$600	
						324	486	648			2.33	755	140TC	TQ2110H140SP	\$669	
							492	655	983		3.18	1041	140TC	TQ2410L140SP	\$712	
							492	655	983		3.18	1041	140TC	TQ2410R140SP	\$712	
							492	655	983		3.18	1041	140TC	TQ2410D140SP	\$723	
							492	655	983		3.18	1041	140TC	TQ2410H140SP	\$805	
					492	655	983		4.00	1311	140TC	TQ2610L140SP	\$876			
					492	655	983		4.00	1311	140TC	TQ2610R140SP	\$876			
					492	655	983		4.00	1311	140TC	TQ2610D140SP	\$904			
					492	655	983		4.00	1311	140TC	TQ2610H140SP	\$990			

Speed Reducers





	Service Class I Torque Ratings (1.0 Service Factor)
	Service Class II Torque Ratings (≥ 1.4 Service Factor)
	Service Class III Torque Ratings (≥ 2.0 Service Factor)

# TG-90™ Quill Type Speed Reducers

Nominal Output RPM @ 1750 RPM In	Gear Ratio	Continuous Duty Output Torque (In-Lbs) Based on 1750 RPM Motor								Max Input HP	Max Output Torque Rating In-Lbs	NEMA Motor Mount	Catalog Number	List Price	Multi. Symbol	
		0.25	0.33	0.5	0.75	1	1.5	2	3							5
117	15:1	113	149	226						0.64	288	56C	TQ1315L56SP	\$509	TG	
		113	149	226						0.64	288	56C	TQ1315R56SP	\$509		
		113	149	226						0.64	288	56C	TQ1315D56SP	\$515		
		113	149	226						0.64	288	56C	TQ1315H56SP	\$538		
			151	229	343						0.90	410	56C	TQ1515L56SP		\$558
			151	229	343						0.90	410	56C	TQ1515R56SP		\$558
			151	229	343						0.90	410	56C	TQ1515D56SP		\$569
			151	229	343						0.90	410	56C	TQ1515H56SP		\$593
				234	351	469					1.17	548	56C	TQ1815L56SP		\$575
				234	351	469					1.17	548	56C	TQ1815R56SP		\$575
				234	351	469					1.17	548	56C	TQ1815D56SP		\$586
				234	351	469					1.17	548	56C	TQ1815H56SP		\$643
					351	469	703				1.73	813	56C	TQ2115L56SP		\$590
					351	469	703				1.73	813	56C	TQ2115R56SP		\$590
					351	469	703				1.73	813	56C	TQ2115D56SP		\$600
					351	469	703				1.73	813	56C	TQ2115H56SP		\$669
						474	711	948			2.37	1123	56C	TQ2415L56SP		\$712
						474	711	948			2.37	1123	56C	TQ2415R56SP		\$712
						474	711	948			2.37	1123	56C	TQ2415D56SP		\$723
						474	711	948			2.37	1123	56C	TQ2415H56SP		\$805
							711	948	1422		2.99	1419	56C	TQ2615L56SP		\$876
							711	948	1422		2.99	1419	56C	TQ2615R56SP		\$876
							711	948	1422		2.99	1419	56C	TQ2615D56SP		\$904
							711	948	1422		2.99	1419	56C	TQ2615H56SP		\$990
88	20:1	145	191	290						0.51	295	56C	TQ1320L56SP	\$509	TG	
		145	191	290						0.51	295	56C	TQ1320R56SP	\$509		
		145	191	290						0.51	295	56C	TQ1320D56SP	\$515		
		145	191	290						0.51	295	56C	TQ1320H56SP	\$538		
		145	191	290						0.72	420	56C	TQ1520L56SP	\$558		
		145	191	290						0.72	420	56C	TQ1520R56SP	\$558		
		145	191	290						0.72	420	56C	TQ1520D56SP	\$569		
		145	191	290						0.72	420	56C	TQ1520H56SP	\$593		
			199	301	451						0.94	566	56C	TQ1820L56SP		\$575
			199	301	451						0.94	566	56C	TQ1820R56SP		\$575
			199	301	451						0.94	566	56C	TQ1820D56SP		\$586
			199	301	451						0.94	566	56C	TQ1820H56SP		\$643
				301	451	602					1.39	835	56C	TQ2120L56SP		\$590
				301	451	602					1.39	835	56C	TQ2120R56SP		\$590
				301	451	602					1.39	835	56C	TQ2120D56SP		\$600
				301	451	602					1.39	835	56C	TQ2120H56SP		\$669
					457	609	913				1.89	1152	56C	TQ2420L56SP		\$712
					457	609	913				1.89	1152	56C	TQ2420R56SP		\$712
					457	609	913				1.89	1152	56C	TQ2420D56SP		\$723
					457	609	913				1.89	1152	56C	TQ2420H56SP		\$805
						609	913	1218			2.40	1461	56C	TQ2620L56SP		\$876
						609	913	1218			2.40	1461	56C	TQ2620R56SP		\$876
						609	913	1218			2.40	1461	56C	TQ2620D56SP		\$904
						609	913	1218			2.40	1461	56C	TQ2620H56SP		\$990

Speed Reducers

# TG-90™ Quill Type Speed Reducers

	Service Class I Torque Ratings (1.0 Service Factor)
	Service Class II Torque Ratings (≥ 1.4 Service Factor)
	Service Class III Torque Ratings (≥ 2.0 Service Factor)



Nominal Output RPM @ 1750 RPM In	Gear Ratio	Continuous Duty Output Torque (In-Lbs) Based on 1750 RPM Motor								Max Input HP	Max Output Torque Rating In-Lbs	NEMA Motor Mount	Catalog Number	List Price	Multi. Symbol	
		0.25	0.33	0.5	0.75	1	1.5	2	3							5
58	30:1	201	265								0.37	297	56C	TQ1330L56SP	\$509	TG
		201	265								0.37	297	56C	TQ1330R56SP	\$509	
		201	265								0.37	297	56C	TQ1330D56SP	\$515	
		201	265								0.37	297	56C	TQ1330H56SP	\$538	
		201	265	402							0.53	423	56C	TQ1530L56SP	\$558	
		201	265	402							0.53	423	56C	TQ1530R56SP	\$558	
		201	265	402							0.53	423	56C	TQ1530D56SP	\$569	
		201	265	402							0.53	423	56C	TQ1530H56SP	\$593	
		212	280	424							0.67	571	56C	TQ1830L56SP	\$575	
		212	280	424							0.67	571	56C	TQ1830R56SP	\$575	
		212	280	424							0.67	571	56C	TQ1830D56SP	\$586	
		212	280	424							0.67	571	56C	TQ1830H56SP	\$643	
				424	636	848					0.99	842	56C	TQ2130L56SP	\$590	
				424	636	848					0.99	842	56C	TQ2130R56SP	\$590	
				424	636	848					0.99	842	56C	TQ2130D56SP	\$600	
				424	636	848					0.99	842	56C	TQ2130H56SP	\$669	
				429	644	858					1.36	1165	56C	TQ2430L56SP	\$712	
				429	644	858					1.36	1165	56C	TQ2430R56SP	\$712	
				429	644	858					1.36	1165	56C	TQ2430D56SP	\$723	
				429	644	858					1.36	1165	56C	TQ2430H56SP	\$805	
					644	858	1288				1.72	1474	56C	TQ2630L56SP	\$876	
					644	858	1288				1.72	1474	56C	TQ2630R56SP	\$876	
					644	858	1288				1.72	1474	56C	TQ2630D56SP	\$904	
					644	858	1288				1.72	1474	56C	TQ2630H56SP	\$990	
44	40:1	247									0.30	292	56C	TQ1340L56SP	\$509	TG
		247									0.30	292	56C	TQ1340R56SP	\$509	
		247									0.30	292	56C	TQ1340D56SP	\$515	
		247									0.30	292	56C	TQ1340H56SP	\$538	
		247	326								0.42	419	56C	TQ1540L56SP	\$558	
		247	326								0.42	419	56C	TQ1540R56SP	\$558	
		247	326								0.42	419	56C	TQ1540D56SP	\$569	
		247	326								0.42	419	56C	TQ1540H56SP	\$593	
		261	345	523							0.54	565	56C	TQ1840L56SP	\$575	
		261	345	523							0.54	565	56C	TQ1840R56SP	\$575	
		261	345	523							0.54	565	56C	TQ1840D56SP	\$586	
		261	345	523							0.54	565	56C	TQ1840H56SP	\$643	
			345	523	784						0.80	833	56C	TQ2140L56SP	\$590	
			345	523	784						0.80	833	56C	TQ2140R56SP	\$590	
			345	523	784						0.80	833	56C	TQ2140D56SP	\$600	
			345	523	784						0.80	833	56C	TQ2140H56SP	\$669	
				530	795	1060					1.09	1154	56C	TQ2440L56SP	\$712	
				530	795	1060					1.09	1154	56C	TQ2440R56SP	\$712	
				530	795	1060					1.09	1154	56C	TQ2440D56SP	\$723	
				530	795	1060					1.09	1154	56C	TQ2440H56SP	\$805	
					795	1060	1590				1.38	1460	56C	TQ2640L56SP	\$876	
					795	1060	1590				1.38	1460	56C	TQ2640R56SP	\$876	
					795	1060	1590				1.38	1460	56C	TQ2640D56SP	\$904	
					795	1060	1590				1.38	1460	56C	TQ2640H56SP	\$990	

Speed Reducers



	Service Class I Torque Ratings (1.0 Service Factor)
	Service Class II Torque Ratings (≥ 1.4 Service Factor)
	Service Class III Torque Ratings (≥ 2.0 Service Factor)

# TG-90™ Quill Type Speed Reducers

Nominal Output RPM @ 1750 RPM In	Gear Ratio	Continuous Duty Output Torque (In-Lbs) Based on 1750 RPM Motor									Max Input HP	Max Output Torque Rating In-Lbs	NEMA Motor Mount	Catalog Number	List Price	Multi-Symbol	
		0.25	0.33	0.5	0.75	1	1.5	2	3	5							
35	50:1										0.24	281	56C	TQ1350L56SP	\$509	TG	
											0.24	281	56C	TQ1350R56SP	\$509		
												0.24	281	56C	TQ1350D56SP		\$515
												0.24	281	56C	TQ1350H56SP		\$538
				380								0.35	403	56C	TQ1550L56SP		\$558
				380								0.35	403	56C	TQ1550R56SP		\$558
				380								0.35	403	56C	TQ1550D56SP		\$569
				380								0.35	403	56C	TQ1550H56SP		\$593
				404								0.44	544	56C	TQ1850L56SP		\$575
				404								0.44	544	56C	TQ1850R56SP		\$575
				404								0.44	544	56C	TQ1850D56SP		\$586
				404								0.44	544	56C	TQ1850H56SP		\$643
				410	621	932						0.65	803	56C	TQ2150L56SP		\$590
				410	621	932						0.65	803	56C	TQ2150R56SP		\$590
				410	621	932						0.65	803	56C	TQ2150D56SP		\$600
				410	621	932						0.65	803	56C	TQ2150H56SP		\$669
				416	630	945						0.88	1114	56C	TQ2450L56SP		\$712
				416	630	945						0.88	1114	56C	TQ2450R56SP		\$712
				416	630	945						0.88	1114	56C	TQ2450D56SP		\$723
				416	630	945						0.88	1114	56C	TQ2450H56SP		\$805
			630	945	1261					1.12	1410	56C	TQ2650L56SP	\$876			
			630	945	1261					1.12	1410	56C	TQ2650R56SP	\$876			
			630	945	1261					1.12	1410	56C	TQ2650D56SP	\$904			
			630	945	1261					1.12	1410	56C	TQ2650H56SP	\$990			
29	60:1										0.20	267	56C	TQ1360L56SP	\$457	TG	
											0.20	267	56C	TQ1360R56SP	\$457		
												0.20	267	56C	TQ1360D56SP		\$470
												0.20	267	56C	TQ1360H56SP		\$507
				326								0.29	383	56C	TQ1560L56SP		\$533
				326								0.29	383	56C	TQ1560R56SP		\$533
				326								0.29	383	56C	TQ1560D56SP		\$559
				326								0.29	383	56C	TQ1560H56SP		\$573
				348	459							0.37	517	56C	TQ1860L56SP		\$551
				348	459							0.37	517	56C	TQ1860R56SP		\$551
				348	459							0.37	517	56C	TQ1860D56SP		\$580
				348	459							0.37	517	56C	TQ1860H56SP		\$619
				353	466	706						0.54	762	56C	TQ2160L56SP		\$585
				353	466	706						0.54	762	56C	TQ2160R56SP		\$585
				353	466	706						0.54	762	56C	TQ2160D56SP		\$632
				353	466	706						0.54	762	56C	TQ2160H56SP		\$672
					473	717	1076					0.74	1057	56C	TQ2460L56SP		\$701
					473	717	1076					0.74	1057	56C	TQ2460R56SP		\$701
					473	717	1076					0.74	1057	56C	TQ2460D56SP		\$748
					473	717	1076					0.74	1057	56C	TQ2460H56SP		\$816
				717	1076	1434				0.93	1338	56C	TQ2660L56SP	\$868			
				717	1076	1434				0.93	1338	56C	TQ2660R56SP	\$868			
				717	1076	1434				0.93	1338	56C	TQ2660D56SP	\$918			
				717	1076	1434				0.93	1338	56C	TQ2660H56SP	\$983			

Speed Reducers

# TG-90™ Solid Shaft Speed Reducers

Service Class I Torque Ratings (1.0 Service Factor)  
 Service Class II Torque Ratings (≥ 1.4 Service Factor)  
 Service Class III Torque Ratings (≥ 2.0 Service Factor)



Nominal Output RPM @ 1750 RPM In	Gear Ratio	Continuous Duty Output Torque (In-Lbs) Based on Motor HP at 1750 RPM								Max Input HP	Max Output Torque Rating In-Lbs	Catalog Number	List Price	Multi-Symbol				
		0.25	0.33	0.5	0.75	1	1.5	2	3						5			
350	5:1			83	124	166					1.32	218	TS135LSP	\$457	TG			
				83	124	166					1.32	218	TS135RSP	\$457				
				83	124	166					1.32	218	TS135DSP	\$470				
				83	124	166					1.32	218	TS135HSP	\$507				
					124	166	250				1.89	313	TS155LSP	\$533				
					124	166	250				1.89	313	TS155RSP	\$533				
					124	166	250				1.89	313	TS155DSP	\$559				
					124	166	250				1.89	313	TS155HSP	\$573				
						167	251	335			2.50	418	TS185LSP	\$551				
						167	251	335			2.50	418	TS185RSP	\$551				
						167	251	335			2.50	418	TS185DSP	\$580				
						167	251	335			2.50	418	TS185HSP	\$619				
							251	335	502		3.65	611	TS215LSP	\$585				
							251	335	502		3.65	611	TS215RSP	\$585				
							251	335	502		3.65	611	TS215DSP	\$632				
							251	335	502		3.65	611	TS215HSP	\$672				
								335	502	837	4.89	819	TS245LSP	\$701				
								335	502	837	4.89	819	TS245RSP	\$701				
								335	502	837	4.89	819	TS245DSP	\$748				
								335	502	837	4.89	819	TS245HSP	\$816				
								335	502	837	5.36	1037	TS265LSP	\$868				
								335	502	837	5.36	1037	TS265RSP	\$868				
								335	502	837	5.36	1037	TS265DSP	\$918				
								335	502	837	5.36	1037	TS265HSP	\$983				
		175	10:1		105	158	238						0.85	269		TS1310LSP	\$457	TG
					105	158	238						0.85	269		TS1310RSP	\$457	
					105	158	238						0.85	269		TS1310DSP	\$470	
					105	158	238						0.85	269		TS1310HSP	\$507	
				160	240	321					1.19	382	TS1510LSP	\$533				
				160	240	321					1.19	382	TS1510RSP	\$533				
				160	240	321					1.19	382	TS1510DSP	\$559				
				160	240	321					1.19	382	TS1510HSP	\$573				
					243	324	486				1.59	514	TS1810LSP	\$551				
					243	324	486				1.59	514	TS1810RSP	\$551				
					243	324	486				1.59	514	TS1810DSP	\$580				
					243	324	486				1.59	514	TS1810HSP	\$619				
						324	486	648			2.33	755	TS2110LSP	\$585				
						324	486	648			2.33	755	TS2110RSP	\$585				
						324	486	648			2.33	755	TS2110DSP	\$632				
						324	486	648			2.33	755	TS2110HSP	\$672				
							492	655	983		3.18	1041	TS2410LSP	\$701				
							492	655	983		3.18	1041	TS2410RSP	\$701				
							492	655	983		3.18	1041	TS2410DSP	\$748				
							492	655	983		3.18	1041	TS2410HSP	\$816				
							492	655	983		4.00	1311	TS2610LSP	\$868				
							492	655	983		4.00	1311	TS2610RSP	\$868				
							492	655	983		4.00	1311	TS2610DSP	\$918				
							492	655	983		4.00	1311	TS2610HSP	\$983				

Speed Reducers



Service Class I Torque Ratings (1.0 Service Factor)  
 Service Class II Torque Ratings (≥ 1.4 Service Factor)  
 Service Class III Torque Ratings (≥ 2.0 Service Factor)

# TG-90™ Solid Shaft Speed Reducers

Nominal Output RPM @ 1750 RPM In	Gear Ratio	Continuous Duty Output Torque (In-Lbs) Based on Motor HP at 1750 RPM								Max Input HP	Max Output Torque Rating In-Lbs	Catalog Number	List Price	Multi. Symbol		
		0.25	0.33	0.5	0.75	1	1.5	2	3						5	
117	15:1	113	149	226							0.64	288	TS1315LSP	\$457	TG	
		113	149	226							0.64	288	TS1315RSP	\$457		
		113	149	226							0.64	288	TS1315DSP	\$470		
		113	149	226							0.64	288	TS1315HSP	\$507		
			151	229	343							0.90	410	TS1515LSP		\$533
			151	229	343							0.90	410	TS1515RSP		\$533
			151	229	343							0.90	410	TS1515DSP		\$559
			151	229	343							0.90	410	TS1515HSP		\$573
				234	351	469						1.17	548	TS1815LSP		\$551
				234	351	469						1.17	548	TS1815RSP		\$551
				234	351	469						1.17	548	TS1815DSP		\$580
				234	351	469						1.17	548	TS1815HSP		\$619
					351	469	703					1.73	813	TS2115LSP		\$585
					351	469	703					1.73	813	TS2115RSP		\$585
					351	469	703					1.73	813	TS2115DSP		\$632
					351	469	703					1.73	813	TS2115HSP		\$672
						474	711	948				2.37	1123	TS2415LSP		\$701
						474	711	948				2.37	1123	TS2415RSP		\$701
						474	711	948				2.37	1123	TS2415DSP		\$748
						474	711	948				2.37	1123	TS2415HSP		\$816
					711	948	1422			2.99	1419	TS2615LSP	\$868			
					711	948	1422			2.99	1419	TS2615RSP	\$868			
					711	948	1422			2.99	1419	TS2615DSP	\$918			
					711	948	1422			2.99	1419	TS2615HSP	\$983			
88	20:1	145	191	290							0.51	295	TS1320LSP	\$457	TG	
		145	191	290							0.51	295	TS1320RSP	\$457		
		145	191	290							0.51	295	TS1320DSP	\$470		
		145	191	290							0.51	295	TS1320HSP	\$507		
		145	191	290							0.72	420	TS1520LSP	\$533		
		145	191	290							0.72	420	TS1520RSP	\$533		
		145	191	290							0.72	420	TS1520DSP	\$559		
		145	191	290							0.72	420	TS1520HSP	\$573		
			199	301	451							0.94	566	TS1820LSP		\$551
			199	301	451							0.94	566	TS1820RSP		\$551
			199	301	451							0.94	566	TS1820DSP		\$580
			199	301	451							0.94	566	TS1820HSP		\$619
				301	451	602						1.39	835	TS2120LSP		\$585
				301	451	602						1.39	835	TS2120RSP		\$585
				301	451	602						1.39	835	TS2120DSP		\$632
				301	451	602						1.39	835	TS2120HSP		\$672
					457	609	913					1.89	1152	TS2420LSP		\$701
					457	609	913					1.89	1152	TS2420RSP		\$701
					457	609	913					1.89	1152	TS2420DSP		\$748
					457	609	913					1.89	1152	TS2420HSP		\$816
				609	913	1218				2.40	1461	TS2620LSP	\$868			
				609	913	1218				2.40	1461	TS2620RSP	\$868			
				609	913	1218				2.40	1461	TS2620DSP	\$918			
				609	913	1218				2.40	1461	TS2620HSP	\$983			

Speed Reducers

# TG-90™ Solid Shaft Speed Reducers

Service Class I Torque Ratings (1.0 Service Factor)  
 Service Class II Torque Ratings (≥ 1.4 Service Factor)  
 Service Class III Torque Ratings (≥ 2.0 Service Factor)



Nominal Output RPM @ 1750 RPM In	Gear Ratio	Continuous Duty Output Torque (In-Lbs) Based on Motor HP at 1750 RPM								Max Input HP	Max Output Torque Rating In-Lbs	Catalog Number	List Price	Multi. Symbol	
		0.25	0.33	0.5	0.75	1	1.5	2	3						5
58	30:1	201	265								0.37	297	TS1330LSP	\$457	TG
		201	265								0.37	297	TS1330RSP	\$457	
		201	265								0.37	297	TS1330DSP	\$470	
		201	265								0.37	297	TS1330HSP	\$507	
		201	265	402							0.53	423	TS1530LSP	\$533	
		201	265	402							0.53	423	TS1530RSP	\$533	
		201	265	402							0.53	423	TS1530DSP	\$559	
		201	265	402							0.53	423	TS1530HSP	\$573	
		212	280	424							0.67	571	TS1830LSP	\$551	
		212	280	424							0.67	571	TS1830RSP	\$551	
		212	280	424							0.67	571	TS1830DSP	\$580	
		212	280	424							0.67	571	TS1830HSP	\$619	
				424	636	848					0.99	842	TS2130LSP	\$585	
				424	636	848					0.99	842	TS2130RSP	\$585	
				424	636	848					0.99	842	TS2130DSP	\$632	
				424	636	848					0.99	842	TS2130HSP	\$672	
				429	644	858					1.36	1165	TS2430LSP	\$701	
				429	644	858					1.36	1165	TS2430RSP	\$701	
				429	644	858					1.36	1165	TS2430DSP	\$748	
				429	644	858					1.36	1165	TS2430HSP	\$816	
					644	858	1288				1.72	1474	TS2630LSP	\$868	
					644	858	1288				1.72	1474	TS2630RSP	\$868	
					644	858	1288				1.72	1474	TS2630DSP	\$918	
					644	858	1288				1.72	1474	TS2630HSP	\$983	
44	40:1	247									0.30	292	TS1340LSP	\$457	TG
		247									0.30	292	TS1340RSP	\$457	
		247									0.30	292	TS1340DSP	\$470	
		247									0.30	292	TS1340HSP	\$507	
		247	326								0.42	419	TS1540LSP	\$533	
		247	326								0.42	419	TS1540RSP	\$533	
		247	326								0.42	419	TS1540DSP	\$559	
		247	326								0.42	419	TS1540HSP	\$573	
		261	345	523							0.54	565	TS1840LSP	\$551	
		261	345	523							0.54	565	TS1840RSP	\$551	
		261	345	523							0.54	565	TS1840DSP	\$580	
		261	345	523							0.54	565	TS1840HSP	\$619	
			345	523	784						0.80	833	TS2140LSP	\$585	
			345	523	784						0.80	833	TS2140RSP	\$585	
			345	523	784						0.80	833	TS2140DSP	\$632	
			345	523	784						0.80	833	TS2140HSP	\$672	
				530	795	1060					1.09	1154	TS2440LSP	\$701	
				530	795	1060					1.09	1154	TS2440RSP	\$701	
				530	795	1060					1.09	1154	TS2440DSP	\$748	
				530	795	1060					1.09	1154	TS2440HSP	\$816	
					795	1060	1590				1.38	1460	TS2640LSP	\$868	
					795	1060	1590				1.38	1460	TS2640RSP	\$868	
					795	1060	1590				1.38	1460	TS2640DSP	\$918	
					795	1060	1590				1.38	1460	TS2640HSP	\$983	

Speed Reducers



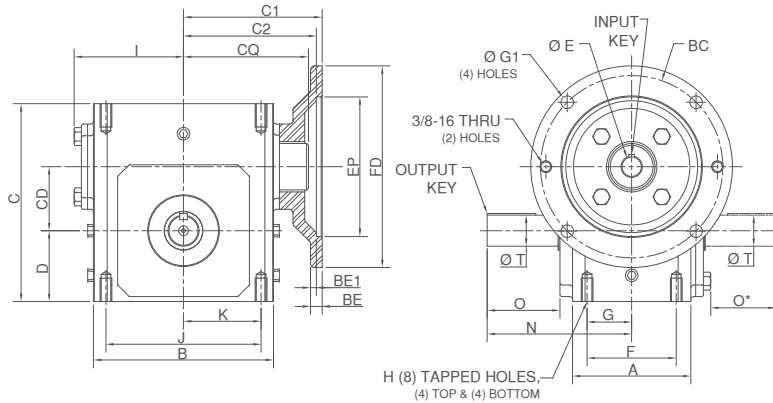
	Service Class I Torque Ratings (1.0 Service Factor)
	Service Class II Torque Ratings (≥ 1.4 Service Factor)
	Service Class III Torque Ratings (≥ 2.0 Service Factor)

# TG-90™ Solid Shaft Speed Reducers

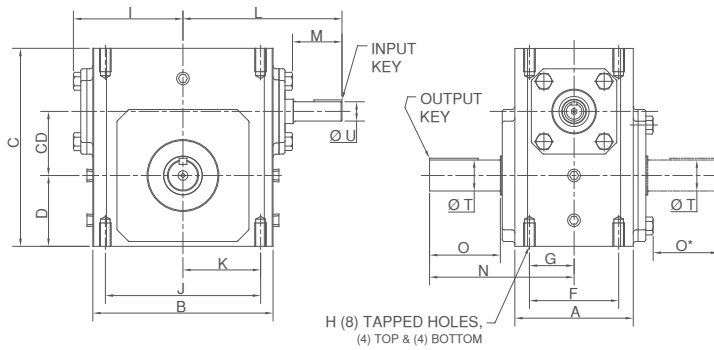
Nominal Output RPM @ 1750 RPM In	Gear Ratio	Continuous Duty Output Torque (In-Lbs) Based on Motor HP at 1750 RPM								Max Input HP	Max Output Torque Rating In-Lbs	Catalog Number	List Price	Multi-Symbol	
		0.25	0.33	0.5	0.75	1	1.5	2	3						5
35	50:1										0.24	281	TS1350LSP	\$457	TG
											0.24	281	TS1350RSP	\$457	
											0.24	281	TS1350DSP	\$470	
											0.24	281	TS1350HSP	\$507	
				380							0.35	403	TS1550LSP	\$533	
				380							0.35	403	TS1550RSP	\$533	
				380							0.35	403	TS1550DSP	\$559	
				380							0.35	403	TS1550HSP	\$573	
				404							0.44	544	TS1850LSP	\$551	
				404							0.44	544	TS1850RSP	\$551	
				404							0.44	544	TS1850DSP	\$580	
				404							0.44	544	TS1850HSP	\$619	
				410	621	932					0.65	803	TS2150LSP	\$585	
				410	621	932					0.65	803	TS2150RSP	\$585	
				410	621	932					0.65	803	TS2150DSP	\$632	
				410	621	932					0.65	803	TS2150HSP	\$672	
				416	630	945					0.88	1114	TS2450LSP	\$701	
				416	630	945					0.88	1114	TS2450RSP	\$701	
				416	630	945					0.88	1114	TS2450DSP	\$748	
				416	630	945					0.88	1114	TS2450HSP	\$816	
					630	945	1261				1.12	1410	TS2650LSP	\$868	
					630	945	1261				1.12	1410	TS2650RSP	\$868	
					630	945	1261				1.12	1410	TS2650DSP	\$918	
					630	945	1261				1.12	1410	TS2650HSP	\$983	
29	60:1									0.20	267	TS1360LSP	\$457	TG	
										0.20	267	TS1360RSP	\$457		
										0.20	267	TS1360DSP	\$470		
										0.20	267	TS1360HSP	\$507		
				326						0.29	383	TS1560LSP	\$533		
				326						0.29	383	TS1560RSP	\$533		
				326						0.29	383	TS1560DSP	\$559		
				326						0.29	383	TS1560HSP	\$573		
				348	459					0.37	517	TS1860LSP	\$551		
				348	459					0.37	517	TS1860RSP	\$551		
				348	459					0.37	517	TS1860DSP	\$580		
				348	459					0.37	517	TS1860HSP	\$619		
				353	466	706				0.54	762	TS2160LSP	\$585		
				353	466	706				0.54	762	TS2160RSP	\$585		
				353	466	706				0.54	762	TS2160DSP	\$632		
				353	466	706				0.54	762	TS2160HSP	\$672		
					473	717	1076			0.74	1057	TS2460LSP	\$701		
					473	717	1076			0.74	1057	TS2460RSP	\$701		
					473	717	1076			0.74	1057	TS2460DSP	\$748		
					473	717	1076			0.74	1057	TS2460HSP	\$816		
					717	1076	1434			0.93	1338	TS2660LSP	\$868		
					717	1076	1434			0.93	1338	TS2660RSP	\$868		
					717	1076	1434			0.93	1338	TS2660DSP	\$918		
					717	1076	1434			0.93	1338	TS2660HSP	\$983		

Speed Reducers

## TG90 Style TQ - Motorized Input / Solid Output Shaft



## TG90 Style TS - Shaft Input / Solid Output Shaft



### STYLE TQ / TS DIMENSIONS (Inches)

SIZE	A	B	C	CD	D	F	G	H	I	J	K	L	M	N	O	O*	T DIA +0.000 -0.002	U DIA +0.000 -0.001	Input Key	Output Key
T13	2.88	3.82	4.66	1.33	1.72	2.000	1.000	5/16-18 X .44 DEEP	2.68	3.250	1.625	3.82	1.28	4.00	2.16	1.94	0.625	0.500	1/8 SQ. x .88 LG.	3/16 SQ.X 1.38 LG.
T15	3.44	4.88	5.38	1.54	1.91	2.750	1.375	5/16-18 X .62 DEEP	3.12	4.188	2.094	4.77	1.72	4.31	2.00	1.79	0.750	0.625	3/16 SQ. x .88 LG.	3/16 SQ.X 1.38 LG.
T18	3.56	5.06	5.75	1.75	2.06	2.750	1.375	5/16-18 X .62 DEEP	3.16	4.188	2.094	4.88	1.56	4.34	2.06	1.85	0.875	0.625	3/16 SQ. x .88 LG.	3/16SQ.X 1.38 LG.
T21	3.81	5.81	6.38	2.06	2.28	2.875	1.438	3/8-16 X .75 DEEP	3.53	5.000	2.500	5.12	1.56	4.66	2.28	2.07	1.000	0.625	3/16 SQ. x .88 LG.	1/4 SQ.X 1.75 LG.
T24	4.06	6.13	6.94	2.38	2.50	2.875	1.438	3/8-16 X .75 DEEP	3.69	5.000	2.500	5.88	2.19	5.12	2.53	2.31	1.125	0.750	3/16 SQ. x 1.50 LG.	1/4 SQ.X 1.75 LG.
T26	4.44	7.38	8.00	2.63	2.94	3.375	1.688	3/8-16 X .75 DEEP	4.24	6.375	3.188	6.05	1.81	5.63	2.94	2.73	1.250	0.750	3/16 SQ. x 1.50 LG.	1/4 SQ.X 1.75 LG.

### MOTOR MOUNTING DIMENSIONS (Inches)

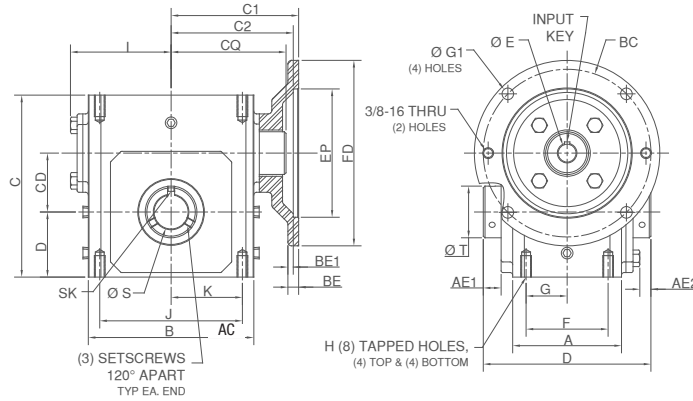
SIZE	C1 56C/140TC	C2 180TC	CQ	
			56C/140TC	180TC
T13	3.44	N/A	3.12	N/A
T15	4.00	N/A	3.38	N/A
T18	4.09	N/A	3.59	N/A
T21	4.47	N/A	4.06	N/A
T24	4.62	5.07	4.12	4.10
T26	5.19	5.63	4.82	4.83

### NEMA DIMENSIONS (Inches)

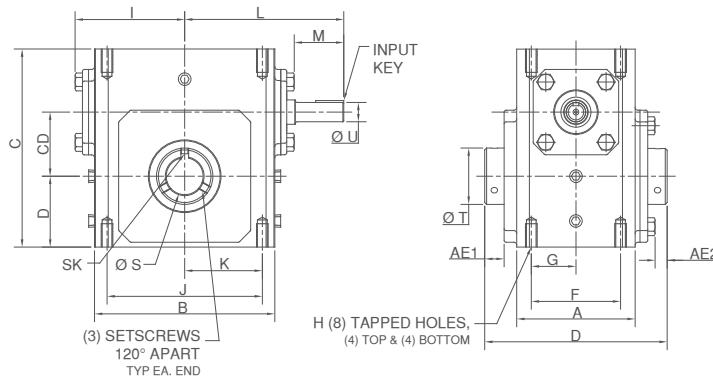
Motor Frame	BC	EP	FD	BE	BE1	E BORE DIA	Input Keyway	G1
56C	5.88	4.50	6.50	0.38	N/A	0.625	3/16 x 3/32	0.41
140TC	5.88	4.50	6.50	0.38	N/A	0.875	3/16 X 3/32	0.41
180TC	7.25	8.50	9.00	N/A	0.50	1.125	1/4 x 1/8	0.53



## TG90 Style TZ - Motorized Input / Hollow Output Shaft



## TG90 Style TS - Shaft Input / Hollow Output Shaft



### STYLE TQ / TS DIMENSIONS (Inches)

SIZE	A	AC	AE1	AE2	B	C	CD	D	F	G	H	I	J	K	L	M	N	S BORE MAX -0.000 +0.002	U DIA +0.000 -0.001	Input Key	Output Key (Max Bore)
T13	2.88	6.05	0.53	0.32	3.82	4.66	1.33	1.72	2.000	1.000	5/16-18 X .44 DEEP	2.68	3.250	1.625	3.82	1.28	4.00	0.625	0.500	1/8 SQ. x 1.50 LG.	3/16 SQ.X 1.50 LG.
T15	3.44	6.64	0.53	0.32	4.88	5.38	1.54	1.91	2.750	1.375	5/16-18 X .62 DEEP	3.12	4.188	2.094	4.77	1.72	4.31	0.625	0.625	3/16 SQ. x .88 LG.	3/16 SQ.X 1.50 LG.
T18	3.56	6.75	0.49	0.28	5.06	5.75	1.75	2.06	2.750	1.375	5/16-18 X .62 DEEP	3.16	4.188	2.094	4.88	1.56	4.34	1.000	0.625	3/16 SQ. x .88 LG.	1/4SQ.X 3.00 LG.
T21	3.81	7.20	0.61	0.40	5.81	6.38	2.06	2.28	2.875	1.438	3/8-16 X .75 DEEP	3.53	5.000	2.500	5.12	1.56	4.66	1.250	0.625	3/16 SQ. x .88 LG.	3/8 SQ.X 3.00 LG.
T24	4.06	8.81	0.51	0.30	6.13	6.94	2.38	2.50	2.875	1.438	3/8-16 X .75 DEEP	3.69	5.000	2.500	5.88	2.19	5.12	1.500	0.750	3/16 SQ. x 1.50 LG.	3/8 SQ.X 3.00 LG.
T26	4.44	8.49	0.6	0.39	7.38	8.00	2.63	2.94	3.375	1.688	3/8-16 X .75 DEEP	4.24	6.375	3.188	6.05	1.81	5.63	1.500	0.750	3/16 SQ. x 1.50 LG.	3/8 SQ.X 3.00 LG.

### MOTOR MOUNTING DIMENSIONS (Inches)

SIZE	C1 56C/140TC	C2 180TC	CQ	
			56C/140TC	180TC
T13	3.44	N/A	3.12	N/A
T15	4.00	N/A	3.38	N/A
T18	4.09	N/A	3.59	N/A
T21	4.47	N/A	4.06	N/A
T24	4.62	5.07	4.12	4.10
T26	5.19	5.63	4.82	4.83

### NEMA DIMENSIONS (Inches)

Motor Frame	BC	EP	FD	BE	BE1	E BORE DIA	Input Keyway	G1
56C	5.88	4.50	6.50	0.38	N/A	0.625	3/16 x 3/32	0.41
140TC	5.88	4.50	6.50	0.38	N/A	0.875	3/16 X 3/32	0.41
180TC	7.25	8.50	9.00	N/A	0.50	1.125	1/4 x 1/8	0.53

**(for complete line of products see WEG's Automation Catalogs)**

CFW300 Variable Frequency Drive .....	A-325
CFW500 Variable Frequency Drive .....	A-330
CFW700 Variable Frequency Drive .....	A-336
CFW500 - Washdown Duty VFD .....	A-344
EDP11 - Enclosed VFD Panel .....	A-350
EDP11 - Enclosed VFD Panel - Dimensions .....	A-358
GPH2 - Combination Soft Starter .....	A-362
GPH2 - Combination Soft Starter - Dimensions .....	A-366
ESW Non-Combination Across the Line Starters -3 Phase - Enclosure Type 1 .....	A-372
ESW Non-Combination Across the Line Starters - Non-reversing - Single-Phase - Enclosure Type 1 .....	A-373
ESW/ESWS Starters and Field Mod Kits .....	A-374
ESW Wiring Diagram and Dimensions .....	A-375
PESW Non-Combination Across the Line Starters - Enclosure Type 4X - Three Phase .....	A-377
PESW Non-Combination Across the Line Starters - Enclosure Type 4X - Single Phase .....	A-379
PESW Wiring Diagram and Dimensions .....	A-380
ESWC Combination Type-C Across the Line Starter .....	A-382
ESWE Combination Type-E Across the Line Starter Enclosure Type 4X - without CPT .....	A-385
ESWE Combination Type-E Across the Line Starter Enclosure Type 4X - with CPT .....	A-385
ESWF Combination Type-F Across the Line Starter Enclosure Type 4/12 - without CPT .....	A-388
ESWF Combination Type-F Across the Line Starter Enclosure Type 4/12 - with CPT .....	A-389
ESWX Part Number Breakdown .....	A-391
ESWX-M16 Series Explosion Proof Manual Motor Starters .....	A-392
ESWX-M25 Series Explosion Proof Manual Motor Starters .....	A-393
ESWX-M65 Series Explosion Proof Manual Motor Starters .....	A-393
ESWX-M100 Series Explosion Proof Manual Motor Starters .....	A-393
Accessories .....	A-394
ESWX NEMA 7/9 Series Explosion Proof Manual Motor Starters .....	A-395
ESWX Dimensional Data .....	A-396
Custom Control Panels Data Worksheet and Request for Quote .....	A-399
<b>Medium Voltage Starters</b>	
SSW7000C - 2300V and 4160V .....	A-401
SSW7000C Options .....	A-402
SSW7000C Dimensions .....	A-402
SSW7000C Technical Data .....	A-405

## CFW300

The CFW300 variable frequency drive is a high-performance VFD for three-phase induction motors. It is ideal for applications on machines or equipment that require precise control with easy setup and operation.

The CFW300 features a compact size with contactor-style electrical connections (top in / bottom out). The VFD's performance can be scaled to match the application by selecting WEG vector control (VVW) or scalar control (V/F). The CFW300 includes built-in operator interface (HMI) and SoftPLC with free WPS programming software for custom tailored control schemes. A variety of plug-in option modules for additional I/O and communications protocols may be added to provide extended capabilities, making the CFW300 a flexible and cost effective solution for your variable speed requirements.



### Standard Features

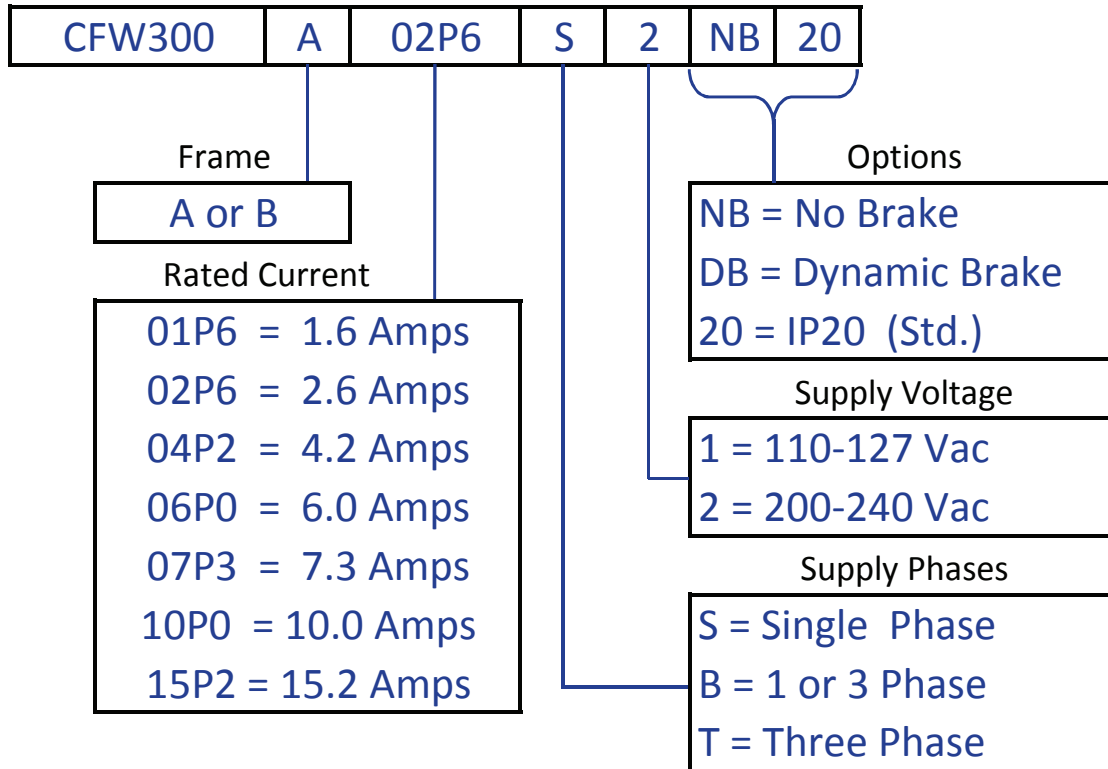
- Single and three-phase voltage supply
- Din rail or surface mounting with screws
- Voltage range: • 110-127 Vac and 200-240 Vac for single-phase models
- 200-240 Vac for three-phase models
- Current / Power range: up to 15.2 Amps / 3.7 kW (5 HP)
- Control mode: Scalar (V/Hz) or Voltage Vector (VVW)
- Switching frequency: 2.5, 5, 10 or 15kHz
- Overload capacity: 150% for 60 sec. every 10min, 200% for 3 sec. every 10min.
- Degree of protection: IP20
- Operating temperature: 14 • 122°F (50°C); up to 140°F (60°C) with current derating (2% per 1°C above 50°C)
- Altitude: 0 • 3300 ft. (1000m); up to 13,200 ft. (4000m) with current derating (1% per100m above 1000m)
- Humidity: 5 to 95% non-condensing
- Integrated brake chopper for frame size B (not available for size A)
- Local keypad supplied as standard

VFDs and  
Enclosed Motor  
Controls

### Applications

- |  |  |
|--|--|
| <ul style="list-style-type: none"> <li>• Centrifugal pumps</li> <li>• Fans / Blowers</li> <li>• Blenders / Mixers</li> <li>• Centrifuges</li> <li>• Compressors</li> </ul> | <ul style="list-style-type: none"> <li>• Conveyors</li> <li>• Roller Tables</li> <li>• Granulators</li> <li>• Commercial Dryers</li> <li>• Rotary Filters</li> </ul> |
|--|--|

## CFW300 Catalog Number Sequence





## IP20 Enclosure

CFW300

Motor Voltage	Motor HP <sup>1</sup>	Drive Output Amps <sup>2</sup>	Catalog Number	Braking Transistor	Frame Size	Dimensions (in.) HxWxD	Approx. Weight Lbs. (kg)	List Price	Multiplier Symbol	
230 Vac / 3 Phase	<b>Input Power Supply: Single-Phase 110-127 Vac</b>									
	1/4 or 1/3	1.6	<a href="#">CFW300A01P6S1NB20</a>	No	A	6.3 x 2.8 x 5.9	2.0 (0.9)	<b>\$361</b>	V1	
	3/4	2.6	<a href="#">CFW300A02P6S1NB20</a>	No	A	6.3 x 2.8 x 5.9	2.0 (0.9)	<b>\$394</b>		
	1	4.2	<a href="#">CFW300A04P2S1NB20</a>	No	A	6.3 x 2.8 x 5.9	2.0 (0.9)	<b>\$420</b>		
	2	6.0	<a href="#">CFW300A06P0S1NB20</a>	No	A	6.3 x 2.8 x 5.9	2.0 (0.9)	<b>\$507</b>		
	<b>Input Power Supply: Single-Phase 200-240 Vac</b>									
	1/4 or 1/3	1.6	<a href="#">CFW300A01P6S2NB20</a>	No	A	6.3 x 2.8 x 5.9	2.0 (0.9)	2.0 (0.9)	<b>\$323</b>	V1
	3/4	2.6	<a href="#">CFW300A02P6S2NB20</a>	No	A	6.3 x 2.8 x 5.9	2.0 (0.9)	2.0 (0.9)	<b>\$348</b>	
	1	4.2	<a href="#">CFW300A04P2S2NB20</a>	No	A	6.3 x 2.8 x 5.9	2.0 (0.9)	2.0 (0.9)	<b>\$371</b>	
	2	6.0	<a href="#">CFW300A06P0S2NB20</a>	No	A	6.3 x 2.8 x 5.9	2.0 (0.9)	2.0 (0.9)	<b>\$461</b>	
	2	7.3	<a href="#">CFW300A07P3S2NB20</a>	No	A	6.3 x 2.8 x 5.9	2.0 (0.9)	2.0 (0.9)	<b>\$543</b>	
	3	10.0	<a href="#">CFW300B10P0B2DB20</a> <sup>3</sup>	Yes	B	8.1 x 2.8 x 6.3	3.0 (1.4)	3.0 (1.4)	<b>\$648</b>	
	<b>Input Power Supply: Three-Phase 200-240 Vac</b>									
	1/4 or 1/3	1.6	<a href="#">CFW300A01P6T2NB20</a>	No	A	6.3 x 2.8 x 5.9	2.0 (0.9)	2.0 (0.9)	<b>\$343</b>	V1
	3/4	2.6	<a href="#">CFW300A02P6T2NB20</a>	No	A	6.3 x 2.8 x 5.9	2.0 (0.9)	2.0 (0.9)	<b>\$376</b>	
	1	4.2	<a href="#">CFW300A04P2T2NB20</a>	No	A	6.3 x 2.8 x 5.9	2.0 (0.9)	2.0 (0.9)	<b>\$399</b>	
	2	6.0	<a href="#">CFW300A06P0T2NB20</a>	No	A	6.3 x 2.8 x 5.9	2.0 (0.9)	2.0 (0.9)	<b>\$484</b>	
	2	7.3	<a href="#">CFW300A07P3T2NB20</a>	No	A	6.3 x 2.8 x 5.9	2.0 (0.9)	2.0 (0.9)	<b>\$571</b>	
	3	10.0	<a href="#">CFW300B10P0B2DB20</a> <sup>3</sup>	Yes	B	8.1 x 2.8 x 6.3	3.0 (1.4)	3.0 (1.4)	<b>\$648</b>	
	5	15.2	<a href="#">CFW300B15P2T2DB20</a>	Yes	B	8.1 x 2.8 x 6.3	3.0 (1.4)	3.0 (1.4)	<b>\$792</b>	

**Notes:**

- 1) "HP" rating based on "average FLA values". Use as a guide only.
- 2) Motor FLA may vary with speed and manufacturer. ALWAYS compare motor FLA to Nominal AMPS of drive.
- 3) CFW300B10P0B2DB20 is capable of Single-Phase input without derating.  
For other technical data please refer to WEG product manual.

## Options and Accessories<sup>1</sup>

Type	CATALOG NUMBER	Description	Approx. Wt. (lbs.)	List Price	Multiplier Symbol
I/O <sup>2</sup>	<a href="#">CFW300-IOAR</a>	I/O Expansion Module; 1 AI, 1 AO, 3 DOR, +10vdc	0.2	<b>\$141</b>	V1
I/O <sup>2</sup>	<a href="#">CFW300-IODR</a>	I/O Expansion Module; 4 DI, 3 DOR	0.2	<b>\$108</b>	
I/O <sup>2</sup>	<a href="#">CFW300-IOAENC</a>	I/O and Encoder Module; 1 AI, 2 AO, +10vdc, 1 Incremental Encoder Input, +5vdc	0.2	<b>\$143</b>	
I/O <sup>2</sup>	<a href="#">CFW300-IOADR</a>	I/O Expansion Module; 1 NTC Sensor Input, 3 DOR	0.2	<b>\$207</b>	
RS485 Card	<a href="#">CFW300-CRS485</a>	RS-485 Module; 1 RS-485 Input (Modbus-RTU), 1 Mini USB for Remote Keypad	0.2	<b>\$82</b>	
USB Card	<a href="#">CFW300-CUSB</a>	USB Communication Module w/ 2-meter Cable; 1 Mini USB	0.2	<b>\$87</b>	
RS232 Card	<a href="#">CFW300-CRS232</a>	RS-232 Communication Module (Modbus-RTU); 1 RS232	0.2	<b>\$82</b>	
CANopen Card	<a href="#">CFW300-CCAN</a>	CANopen/DeviceNet Comm. Module; 1 CAN/DeviceNet, External 24vdc Power	0.2	<b>\$100</b>	
Profibus DP Card	<a href="#">CFW300-CPDP</a>	Profibus DP Communication Module; 1 Profibus DP 9-Pin Connector	0.2	<b>\$294</b>	
Remote Keypad	<a href="#">CFW300-KHMIR</a>	Remote Keypad; Includes CFW300-CRS485 and 3-meter Cable	0.4	<b>\$256</b>	
Flash Memory Module	<a href="#">CFW300-MMF</a>	Flash Memory Module for saving program and parameters to/from drive.	0.2	<b>\$210</b>	
RFI Filter Kit – Fr. A	<a href="#">CFW300-KFA</a>	CFW300 RFI Filter Kit – Frame Size A - SINGLE PHASE INPUT MODELS ONLY	0.3	<b>\$90</b>	
RFI Filter Kit – Fr. B	<a href="#">CFW300-KFB</a>	CFW300 RFI Filter Kit – Frame Size B - SINGLE PHASE INPUT MODELS ONLY	0.3	<b>\$105</b>	

**Notes:**

- 1) Up to Qty. (1) I/O Expansion Module plus Qty. (1) Communication Module can be added to the CFW300 VFD.
- 2) Option card I/O is in addition to the standard CFW300 I/O which includes: 4 DI, 1 AI, 1 DOR.

Please refer to back cover for description of "NOTES"

For detailed specifications, data sheets, drawings and performance curves visit <http://www.weg.net>

Data subject to change without notice.

Can't find what you are looking for? Call 1-800-ASK-4WEG (275-4934)

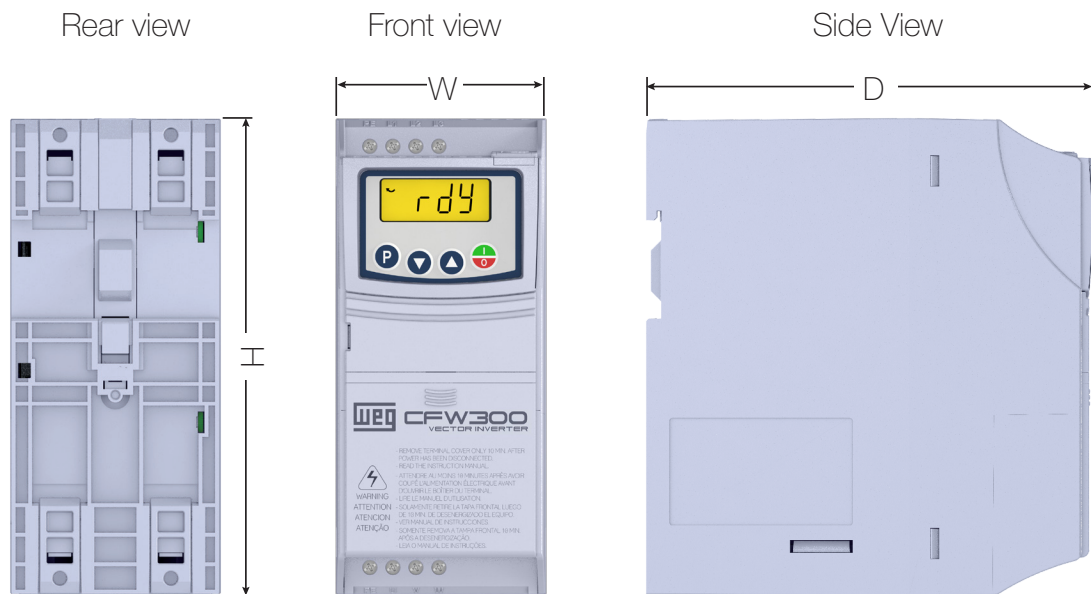
## CFW300

### Option Card and I/O Table

CFW 300 Option Modules	DI <sup>1</sup>	AI	AO	DOR	Encoder	Infrared	RS485	RS232	USB	CANopen	Profibus-DP
CFW300-IOAR	4	1	1	3							
CFW300-IODR	4 + 4			3							
CFW300-IOAENC	4	1	2		1						
CFW300-IOADR	4	1		3		1					
CFW300-CRS485	4						1				
CFW300-CRS232	4							1			
CFW300-CUSB	4								1		
CFW300-CCAN	4									1	
CFW300-CPDP											1

Notes: 1) CFW300 Drive includes 4DI as standard. Option Modules provide suplimental I/O as shown in this table.

### Dimensions



Frame Size IP20	Height in. (mm)	Width in. (mm)	Depth in. (mm)	Weight Lbs. (kg)
A (w/o RFI)	6.3 (157.9)	2.8 (70.0)	5.9 (148.4)	2.0 (0.9)
A (w/RFI)	7.8 (196.0)	2.8 (70.0)	7.5 (190.1)	2.9 (1.3)
B (w/o RFI)	8.1 (198.9)	2.8 (70.0)	6.3 (158.4)	3.0 (1.4)
B (w/ RFI)	9.4 (237.0)	2.8 (70.0)	7.9 (200.1)	4.0 (1.8)

Please refer to back cover for description of "NOTES"

For detailed specifications, data sheets, drawings and performance curves visit <http://www.weg.net>

### Technical Data

<b>Power Supply</b>	Voltage	Single Phase	110-127 Vac (+10%, -15%)
		Single Phase or Three Phase	200-240 Vac (+10%, -15%)
	Frequency	50 / 60Hz +/- 2Hz	
<b>Output</b>	Voltage	0-230 Vac Three Phase	
	Frequency	0-400 Hz, 0.1Hz Resolution	
<b>Control</b>	Control Modes	Volts per Hertz (Scalar)	
		Sensorless Voltage Vector	
		Sinusoidal PWM (Space Vector Modulation)	
	Switching Frequency	2.5, 5, 10 or 15kHz	
	Frequency Range	0-400 Hz	
	Overload Capacity	150% for 60 seconds, repeatable every 10 min.	
<b>Control Inputs</b>	4 programmable isolated digital inputs, NPN or 24Vdc logic (PNP)		
	1 programmable differential analog input; programmable for current or voltage		
<b>Control Outputs</b>	1 programmable relay output: One NO/NC (Form C) 250 Vac / 0.5 A		
<b>Communication</b>	Field Bus	Optional modules for RS-485, RS-232, CANopen, DeviceNet, Profibus-DP, USB	
<b>Safety</b>	Protections	Motor over current	DC link over voltage
		Motor overload	DC link under voltage
		Output phase-to-phase short circuit	Drive over temperature
		Output phase-to-ground short circuit	External fault
		Programming error	
<b>Enclosure</b>	Degree of Protection	IP20	
	Mounting	Surface mounting with screws or DIN rail mounting	
<b>Ambient</b>	Temperature	14 - 122°F (50°C), up to 140°F (60°C) with 2% / 1.8°F (1°C) output current derating	
	Humidity	5-95% Non Condensing	
	Altitude	0-3300 ft (1000m) Up to 13,200 ft (4000m) with 1% / 330ft (100m) output current derating	
<b>Regulatory Conformance</b>	EMC Directive 89 / 336 / EEC	Electromagnetic compatibility – Industrial Environment EMC Emission and Immunity with optional filter	
	ENC61800-2, 3, 5-1 ENC61800-4-2, 3, 4, 5, 6		
	LVD 73/23/EEC	Low Voltage Directive	
	UL 508C, UL 840, UL 50	Electrical Equipment standards	
<b>Special Functions</b>	Linear and “S” ramp accel and decel, local/remote control, FWD/REV selection, DC braking, manual and auto torque boost, motor slip compensation, electronic pot, two skip frequencies, maximum and minimum adjustable frequency limits, adjustable output current		
<b>Keypad</b>	4 digit LCD display and 4 keys		
	Readouts for: output frequency (Hz), output current (A), output voltage (V), motor torque (%) in vector mode, DC bus voltage (V), value proportional to frequency (Ex.: RPM), fault and status messages		

VFDs and Enclosed Motor Controls

Please refer to back cover for description of “NOTES”

For detailed specifications, data sheets, drawings and performance curves visit <http://www.weg.net>

Data subject to change without notice.

Can't find what you are looking for? Call 1-800-ASK-4WEG (275-4934)

## CFW500

Developed for fast commissioning, the CFW500 VFD is perfect for machines. Extremely compact and cost-effective, it meets the needs of machine manufacturers, system integrators, panel installers and users. The CFW500 has advanced technology plug and play options, developed for fast commissioning, providing great flexibility and competitive advantage while offering excellent performance and reliability. Designed for exclusively industrial or professional use, perfect for OEM, system integrators, panel installers and End Users providing great benefit from the added value.

### Standard Features

- Compatible - wide range of accessories
- Single and Three phase input voltage
- 200 - 240v, 380 - 480v or 500 - 600v in put range
- v/hz and sensorless vector control
- Flexible - application functions
- Robust - 150% overload for one minute
- Efficient - provides optimal speed for production
- Reliable - 100% are tested with rated load at the factory
- Integrable - Fieldbus networks

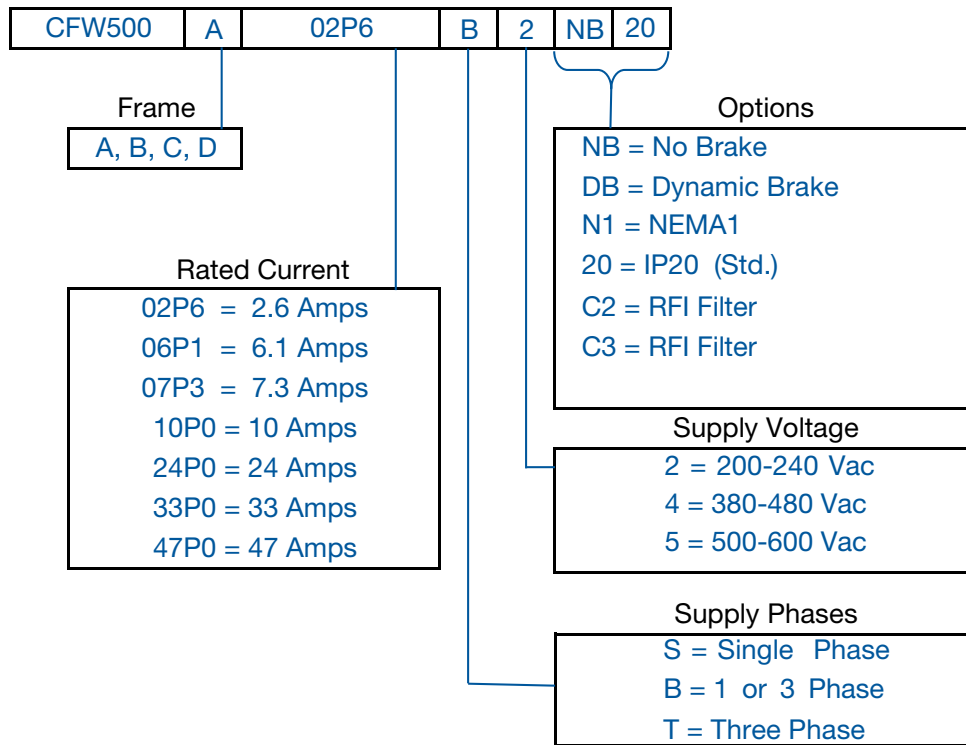


### Applications

- Centrifugal pumps
- Compressors
- Process dosing pumps
- Fans/ventilators
- Mixers/blenders
- Commercial dryers
- Extruders
- Conveyor belts
- Elevators
- General machinery



## CFW500 Catalog Number Sequence



*Table intended as reference and not to create part numbers.*

CFW500

IP20 Finger Safe Enclosure

Motor Voltage	Motor HP <sup>1</sup>	Drive Amps <sup>2</sup>	Catalog Number	Braking Transistor	Frame Size	Dimensions (in.) HxWxD	Approx. Weight (lbs.)	List Price	Multiplier
230 Vac/3 Phase	<b>Input Power Supply: Single-Phase 200-240 Vac</b>								
	1/3	1.6	CFW500A01P6S2NB20	No	A	7.5 x 3.0 x 5.9	1.8	\$451	V1
	3/4	2.6	CFW500A02P6S2NB20	No	A	7.5 x 3.0 x 5.9	1.8	\$463	V1
	1 1/2	4.3	CFW500A04P3S2NB20	No	A	7.5 x 3.0 x 5.9	1.8	\$499	V1
	2	7.3	CFW500A07P0S2NB20	No	A	7.5 x 3.0 x 5.9	1.8	\$633	V1
	<b>Input Power Supply: Single or Three-Phase 200-240 Vac</b>								
	1/3	1.6	CFW500A01P6B2NB20	No	A	7.5 x 3.0 x 5.9	1.8	\$456	V1
	3/4	2.6	CFW500A02P6B2NB20	No	A	7.5 x 3.0 x 5.9	1.8	\$467	V1
	1 1/2	4.3	CFW500A04P3B2NB20	No	A	7.5 x 3.0 x 5.9	1.8	\$506	V1
	2	7.3	CFW500B07P3B2DB20	Yes	B	7.9 x 4.0 x 6.3	2.6	\$678	V1
	3	10.0	CFW500B10P0B2DB20	Yes	B	7.9 x 4.0 x 6.3	2.6	\$789	V1
	<b>Input Power Supply: Three-Phase 200-240 Vac</b>								
	2	7.0	CFW500A07P0T2NB20	No	A	7.5 x 3.0 x 5.9	1.8	\$628	V1
	3	9.6	CFW500A09P6T2NB20	No	A	7.5 x 3.0 x 5.9	1.8	\$773	V1
	5	16	CFW500B16P0T2DB20	Yes	B	7.9 x 4.0 x 6.3	2.6	\$842	V1
	7 1/2	24	CFW500C24P0T2DB20	Yes	C	8.3 x 5.3 x 6.5	4.4	\$1,427	V1
	10	28	CFW500D28P0T2DB20	Yes	D	12.1 x 7.1 x 6.6	9.5	\$1,777	V1
	10	33	CFW500D33P0T2DB20	Yes	D	12.1 x 7.1 x 6.6	9.5	\$2,146	V1
	15	47	CFW500D47P0T2DB20	Yes	D	12.1 x 7.1 x 6.6	9.5	\$2,910	V1
	20	56	CFW500E56P0T2DB20	Yes	E	13.8 x 8.7 x 7.6	22.1	\$3,380	V1
460 Vac/3 Phase	<b>Input Power Supply: Three-Phase 380-480 Vac</b>								
	1/2	1.0	CFW500A01P0T4NB20	No	A	7.5 x 3.0 x 5.9	1.8	\$582	V1
	1	1.6	CFW500A01P6T4NB20	No	A	7.5 x 3.0 x 5.9	1.8	\$604	V1
	2	2.6	CFW500A02P6T4NB20	No	A	7.5 x 3.0 x 5.9	1.8	\$649	V1
	3	4.3	CFW500A04P3T4NB20	No	A	7.5 x 3.0 x 5.9	1.8	\$799	V1
	3	6.1	CFW500A06P1T4NB20	No	A	7.5 x 3.0 x 5.9	1.8	\$982	V1
	2	2.6	CFW500B02P6T4DB20	Yes	B	7.9 x 4.0 x 6.3	2.6	\$708	V1
	3	4.3	CFW500B04P3T4DB20	Yes	B	7.9 x 4.0 x 6.3	2.6	\$892	V1
	5	6.5	CFW500B06P5T4DB20	Yes	B	7.9 x 4.0 x 6.3	2.6	\$1,067	V1
	7 1/2	10	CFW500B10P0T4DB20	Yes	B	7.9 x 4.0 x 6.3	2.6	\$1,207	V1
	10	14	CFW500C14P0T4DB20	Yes	C	8.3 x 5.3 x 6.5	4.4	\$1,495	V1
	10	16	CFW500C16P0T4DB20	Yes	C	8.3 x 5.3 x 6.5	4.4	\$1,684	V1
	15	24	CFW500D24P0T4DB20	Yes	D	12.1 x 7.1 x 6.6	9.5	\$2,229	V1
	25	31	CFW500D31P0T4DB20	Yes	D	12.1 x 7.1 x 6.6	9.5	\$2,783	V1
	30	39	CFW500E39P0T4DB20	Yes	E	13.8 x 8.7 x 7.6	22.1	\$3,346	V1
	40	49	CFW500E49P0T4DB20	Yes	E	13.8 x 8.7 x 7.6	22.1	\$4,214	V1
	575 Vac <sup>3</sup> /3 Phase	<b>Input Power Supply: Three-Phase 500-600 Vac</b>							
1 1/2		1.7	CFW500C01P7T5DB20	Yes	C	8.3 x 5.3 x 6.5	4.4	\$910	V1
3		3.0	CFW500C03P0T5DB20	Yes	C	8.3 x 5.3 x 6.5	4.4	\$954	V1
3		4.3	CFW500C04P3T5DB20	Yes	C	8.3 x 5.3 x 6.5	4.4	\$1,073	V1
7 1/2		7.0	CFW500C07P0T5DB20	Yes	C	8.3 x 5.3 x 6.5	4.4	\$1,276	V1
10		10.0	CFW500C10P0T5DB20	Yes	C	8.3 x 5.3 x 6.5	4.4	\$1,621	V1
10	12.0	CFW500C12P0T5DB20	Yes	C	8.3 x 5.3 x 6.5	4.4	\$1,813	V1	

**Notes:**

- 1) "HP" rating based on "average FLA values". Use as a guide only.
  - 2) Motor FLA may vary with speed and manufacturer. ALWAYS compare motor FLA to Nominal AMPS of drive.
  - 3) All 575V drives are non-stocked items. Consult WEG for availability.
- For other technical data please refer to WEG product manual.

Please refer to back cover for description of "NOTES"

For detailed specifications, data sheets, drawings and performance curves visit <http://www.weg.net>

VFDs and Enclosed Motor Controls

### Options and Accessories

Type	CATALOG NUMBER	Description	Apprx. Shpg. Wt. (lbs.)	List Price	Multiplier Symbol
I/O	<b>CFW500-IOS<sup>1</sup></b>	CFW500 I/O Module; 4 DI, 1 AI, 1 AO, 1 DOR, 1 DOT, 1 RS485, 10vdc, 24vdc	0.2	<b>\$110</b>	V1
I/O	<b>CFW500-IOD</b>	CFW500 I/O Module; 8 DI, 1 AI, 1 AO, 1 DOR, 4 DOT, 1 RS485, 10vdc, 24vdc	0.2	<b>\$141</b>	V1
I/O	<b>CFW500-IOAD</b>	CFW500 I/O Module; 6 DI, 3 AI, 2 AO, 1 DOR, 3 DOT, 1 RS485, 10vdc, 24vdc	0.2	<b>\$182</b>	V1
I/O	<b>CFW500-IOR</b>	CFW500 I/O Module; 5 DI, 1 AI, 1 AO, 4 DOR, 1 DOT, 1 RS485, 10vdc, 24vdc	0.2	<b>\$125</b>	V1
Encoder Input	<b>CFW500-ENC</b>	CFW500 Encoder Module; Quad Input A & B, 1 RS485, 5 DI, 1 AI, 1 AO, 3 DOR, 1 DOT, 24vdc	0.2	<b>\$210</b>	V1
USB Card	<b>CFW500-CUSB</b>	CFW500 Comm. Module; 1 USB, 1 RS485, 4 DI, 1 AI, 1 AO, 1 DOR, 1 DOT, 10vdc, 24vdc	0.2	<b>\$210</b>	V1
RS232 Card	<b>CFW500-CRS232</b>	CFW500 Comm. Module; 1 RS232, 1 RS485, 4 DI, 1 AI, 1 AO, 1 DOR, 1 DOT, 24vdc	0.2	<b>\$138</b>	V1
RS485 Card	<b>CFW500-CRS485</b>	CFW500 Comm. Module; 2 RS485, 4 DI, 2 AI, 1 AO, 2 DOR, 1 DOT, 10vdc, 24vdc	0.2	<b>\$143</b>	V1
CANopen Card	<b>CFW500-CCAN</b>	CFW500 Comm. Module; 1 CAN/DeviceNet, 1 RS485, 2 DI, 1 AI, 1 AO, 1 DOR, 1 DOT, 10vdc, 24vdc	0.2	<b>\$138</b>	V1
Profibus DP Card	<b>CFW500-CPDP</b>	CFW500 Comm. Module; 2 DI, 1 AI, 1 AO, 1 DOR, 1 DOT, 1 Profibus DP, 1 RS485, 24vdc	0.2	<b>\$405</b>	V1
Profibus DP & DP-V1 Module	<b>CFW500-CPDP2</b>	CFW500 Comm. Module; 1-Profibus DP & DP-V1 100BASE TX RJ-45 Port, 1-RS485, 2-DI, 1-AI, 1-AO, 1-DOR, 1-DOT, 24vdc	0.2	<b>\$445</b>	V1
Modbus TCP Comm. Module	<b>CFW500-CEMB-TCP</b>	CFW500 Comm. Module; 1-Modbus TCP 100BASE TX RJ-45 Port, 1-RS485, 2-DI, 1-AI, 1-AO, 1-DOR, 1-DOT, 24vdc	0.2	<b>\$499</b>	V1
ProfiNet I/O Comm. Module	<b>CFW500-CEPN-IO</b>	CFW500 Comm. Module; 1-ProfiNet I/O 100BASE TX RJ-45 Port, 1-RS485, 2-DI, 1-AI, 1-AO, 1-DOR, 1-DOT, 24vdc	0.2	<b>\$499</b>	V1
EtherNet IP Comm. Module	<b>CFW500-CETH-IP</b>	CFW500 Comm. Module; 2-DI, 1-AI, 1-AO, 1-DOR, 1-DOT, 1-RS485, 1-EtherNet IP 100BASE TX RJ-45 Port, 24vdc	0.2	<b>\$499</b>	V1
Flash Memory Module	<b>CFW500-MMF</b>	CFW500 Flash Memory Module for saving and reloading program and parameters to / from the drive	0.2	<b>\$189</b>	V1
Remote Keypad	<b>CFW500-HMIR<sup>2</sup></b>	CFW500 Remote Keypad for mounting through enclosure door	0.6	<b>\$169</b>	V1
Remote Oper. Station	<b>CSW-SP3PBS</b>	Remote Operator Station-includes 22mm Start PB, Stop PB, 1-NC and 1-NO contact block, 5k-ohm Potentiometer and legends (replaces CFW-REM)	5.0	<b>\$460</b>	Z5
Remote Oper. Station	<b>CSW30-SP3PBS</b>	Remote Operator Station-includes 30mm Start PB, Stop PB, 1-NC and 1-NO contact block, 5k-ohm Potentiometer and legends (replaces CFW-REM)	5.0	<b>\$535</b>	Z5
HMI Cable 1M	<b>CFW500-CCHMIRO1M</b>	3.3 ft (1 meter) Remote Keypad Cable	0.5	<b>\$23</b>	V1
HMI Cable 2M	<b>CFW500-CCHMIRO2M</b>	6.6 ft (2 meter) Remote Keypad Cable	0.7	<b>\$31</b>	V1
HMI Cable 3M	<b>CFW500-CCHMIRO3M</b>	9.9 ft (3 meter) Remote Keypad Cable	1.0	<b>\$41</b>	V1
HMI Cable 5M	<b>CFW500-CCHMIRO5M</b>	16 ft (5 meter) Remote Keypad Cable	1.2	<b>\$51</b>	V1
HMI Cable 7.5M	<b>CFW500-CCHMIRO75M</b>	25 ft (7.5 meter) Remote Keypad Cable	1.5	<b>\$61</b>	V1
HMI Cable 10M	<b>CFW500-CCHMIRO10M</b>	33 ft (10 meter) Remote Keypad Cable	2.0	<b>\$72</b>	V1
USB Comm. Cable 2M	<b>CFW500-USB02M</b>	USB Communication Cable, 6.6 ft (2 meter) length	0.7	<b>\$50</b>	V1
NEMA1 Conduit Kit	<b>CFW500-KN1A</b>	NEMA 1 kit – Frame Size A	0.6	<b>\$28</b>	V1
NEMA1 Conduit Kit	<b>CFW500-KN1B</b>	NEMA 1 kit – Frame Size B	0.7	<b>\$33</b>	V1
NEMA1 Conduit Kit	<b>CFW500-KN1C</b>	NEMA 1 kit – Frame Size C	0.7	<b>\$44</b>	V1
NEMA1 Conduit Kit	<b>CFW500-KN1D</b>	NEMA 1 kit – Frame Size D	0.8	<b>\$59</b>	V1
NEMA1 Conduit Kit	<b>CFW500-KN1E</b>	NEMA 1 kit – Frame Size E	0.9	<b>\$64</b>	V1
Cable Shield Clamp Kit	<b>CFW500-KPCSA</b>	Cable Shield Clamp Kit for Frame A	1.0	<b>\$41</b>	V1
Cable Shield Clamp Kit	<b>CFW500-KPCSB</b>	Cable Shield Clamp Kit for Frame B	1.0	<b>\$44</b>	V1
Cable Shield Clamp Kit	<b>CFW500-KPCSC</b>	Cable Shield Clamp Kit for Frame C	1.1	<b>\$46</b>	V1
Cable Shield Clamp Kit	<b>CFW500-KPCSD</b>	Cable Shield Clamp Kit for Frame D	1.1	<b>\$51</b>	V1

**Notes:**

- 1) CFW500-IOS Card is included as standard with CFW500 Drives
- 2) CFW500-HMIR Remote Keypad requires Qty. (1) CFW500-CCHIROxM cable. ("x" represents the cable length in meters)

VFDs and Enclosed Motor Controls

Please refer to back cover for description of "NOTES"

For detailed specifications, data sheets, drawings and performance curves visit <http://www.weg.net>

Data subject to change without notice.

Can't find what you are looking for? Call 1-800-ASK-4WEG (275-4934)

CFW500

## Option Card I/O Table

CFW500 Option Module	DI <sup>1</sup>	AI	AO	DOR	DOT	Infrared	Encoder	USB	RS232	RS485	CANopen / DeviceNet	Profibus-DP / DP V1	Modbus TCP	ProfiNet I/O	EtherNet I/P
CFW500-IOS <sup>1</sup>	4	1	1	1	1					1					
CFW500-IOD	8	1	1	1	4					1					
CFW500-IOAD	6	3	2	1	3					1					
CFW500-IOR	5	1	1	4	1	1				1					
CFW500-ENC	5	1	1	3	1		1			1					
CFW500-CUSB	4	1	1	1	1			1		1					
CFW500-CRS232	4	1	1	1	1				1	1					
CFW500-CRS485	4	2	1	2	1					2					
CFW500-CCAN	2	1	1	1	1					1	1				
CFW500-CPDP	2	1	1	1	1							1			
CFW500-CPDP2	2	1	1	1	1							1 & 1			
CFW500-CEMB-TCP	2	1	1	1	1								1		
CFW500-CEPN-IO	2	1	1	1	1									1	
CFW500-CETH-IP	2	1	1	1	1										1

**Notes:**

1) CFW500 Drive includes 4DI as standard. Option Modules provide suplimental I/O as shown in this table.

### Technical Data

<b>Power Supply</b>	Voltage	Single phase or Three Phase	200-240V (+10%, -15%)
		Three phase	380-480V (+10%, -15%)
	Frequency	50 / 60Hz +/- 2Hz	
	Displacement Power Factor (Cos)	Greater than 0.98	
<b>Enclosure</b>	Degree of Protection	IP20	
	Mounting	Surface mounting with screws or DIN rail mounting	
<b>Control</b>	Control Modes	Volts per Hertz (Scalar)	
		Sensorless Voltage Vector	
	Power Output	Sinusoidal PWM (Space Vector Modulation)	
		IGBT Transistors	
	Switching Frequency	2.5, 5, 10 or 15kHz	
	Frequency Range	0-300 Hz	
	Overload Capacity	150% for 60 seconds, repeatable every 10 min.	
<b>Control Inputs</b>	4 programmable isolated digital inputs, NPN or 24Vdc logic (PNP)		
	2 programmable differential analog inputs; programmable for current or voltage Can be set as DI or as PTC input (0-10V, 4-20mA or 0-20mA)		
<b>Control Outputs</b>	2 programmable relay outputs: One NO (Form A) and one NC (Form B): 240 V / 0.5 A		
	1 Analog Output; programmable for voltage (0-10V) or current (0-20 mA or 4-20 mA) and with 0.25% linearity error		
<b>Communication</b>	Serial	Optional RS-232 serial interface, RS-485 with external RS-232/485 converter	
	Field Bus	Modbus RTU with external RS-232/485 converter	
<b>Safety</b>	Protections	Motor over current	DC link over voltage
		Motor overload	DC link under voltage
		Output phase-to-phase short circuit	Drive over temperature
		Output phase-to-ground short circuit	External fault
		Programming error	
<b>Ambient</b>	Temperature	14 - 122°F (50°C), up to 140°F (60°C) with 2% / 1.8°F (1°C) output current derating	
	Humidity	5-90% Non Condensing	
	Altitude	0-3300 ft (1000m), up to 13,200 ft (4000m) with 10% / 3300ft (1000m) output current derating	
<b>Regulatory Conformance</b>	EMC Directive 89 / 336 / EEC	Electromagnetic compatibility – Industrial Environment EMC Emission and Immunity with optional filter	
	ENC61800-3		
	LVD 73/23/EEC	Low Voltage Directive	
	UL 508 C	Power Conversion Equipment	
<b>Special Functions</b>	Linear and “S” ramp accel and decel, local/remote control, FWD/REV selection, DC braking, manual and auto torque boost, motor slip compensation, electronic pot, two skip frequencies, maximum and minimum adjustable frequency limits, adjustable output current, PID Controller		
<b>Keypad</b>	4 digit display, 2 indicator LEDs and 8 keys		
	Readouts for: output frequency (Hz), output current (A), output voltage (V), motor torque (%) in vector mode, DC bus voltage (V), value proportional to frequency (Ex.: RPM), heatsink temperature, fault and status messages		

VFDs and Enclosed Motor Controls

Please refer to back cover for description of “NOTES”

For detailed specifications, data sheets, drawings and performance curves visit <http://www.weg.net>

Data subject to change without notice.

Can't find what you are looking for? Call 1-800-ASK-4WEG (275-4934)

## CFW700

The WEG CFW700 Series was designed to exceed industry expectations. Based on the robust CFW11 platform the CFW700 is designed and optimized for variable torque applications such as pumps and fans.

The CFW700 is the optimal drive for pump and fan control. The drive includes features such as built in PID controllers that can be programmed in engineering units for ease of understanding and set up. The drive also features an integrated power supply to be used with external transducers to measure flow or pressure.

These features combined with the drive's keypad based start up guide, make installation and parameter set up fast and easy.

### Standard Features

- Simplicity – same programming as all other WEG drives
- Dual DC Bus chokes for longer VFD lifetime (6% equivalent), reduces harmonics eliminating the need for external line reactors
- Plenum Rated - Meets UL94 Requirements
- 24VDC Power Supply for process transducers - Standard
- Soft-PLC with free programming software
- Encoder Input - Standard
- RS-485 Modbus RTU - Standard
- Conformal Coated boards for harsh industrial environments
- Rated 50 °C (122 °F) – up to 60 °C (140 °F) with derating
- Self-tuning function automatically matches VFD with motor
- UL, cUL, CE, C-Tick, GOST, IRAM approved
- SuperDrive G2 compatible

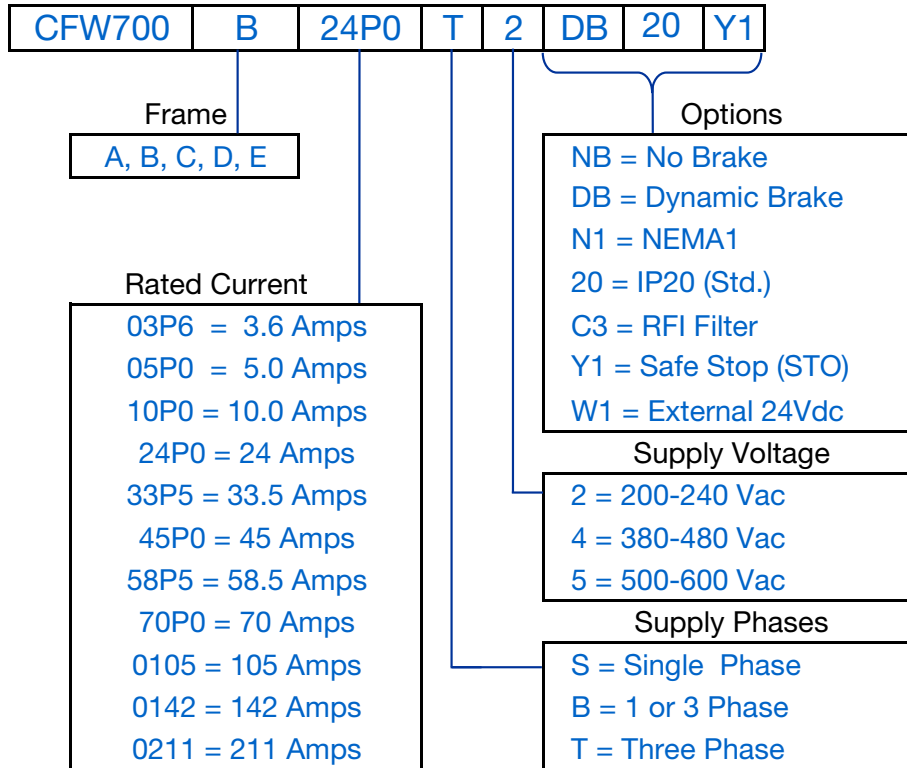


### Applications

- Pumps
- Conveyers
- Agitators and Mixers
- Grizzly Feeders
- Cranes and Hoists
- Presses
- Fans/Blowers
- Compressors
- Extruders
- Centrifuges
- Rollout Tables
- Saws



## CFW700 Catalog Number Sequence



*Table intended as reference only and not to create part numbers.*

## CFW700

IP20 Enclosure (Use NEMA1 kit, part # KN1x-01/02, to convert IP20 rated CFW700 to UL TYPE 1 / NEMA1)

Motor Voltage	ND / VT <sup>1</sup>		HD / CT <sup>1</sup>		Catalog Number	Braking Transistor	Frame Size	Dimensions (in.) HxWxD <sup>6</sup>	Approx. Weight (lbs.) <sup>6</sup>	List Price	Multiplier	
	Motor HP <sup>2</sup>	Drive Amps <sup>3</sup>	Motor HP <sup>2</sup>	Drive Amps <sup>3</sup>								
230 Vac	<b>Input Power Supply: Single or Three-Phase 200-240 Vac with Dynamic Braking Transistor</b>											
	1 1/2	6.0	1 1/2	5.0	<a href="#">CFW700A06P0B2DB20</a>	Yes	A	12.1 x 5.8 x 9.0	13.9	<b>\$1,370</b>	V1	
	2	7.0	2	7.0	<a href="#">CFW700A07P0B2DB20</a>	Yes	A	12.1 x 5.8 x 9.0	13.9	<b>\$1,430</b>	V1	
	<b>Input Power Supply: Single-Phase 200-240 Vac with Dynamic Braking Transistor</b>											
	3	10	3	10	<a href="#">CFW700A10P0S2DB20</a>	Yes	A	12.1 x 5.8 x 9.0	13.9	<b>\$1,510</b>	V1	
	<b>Input Power Supply: Three-Phase 200-240 Vac with Dynamic Braking Transistor</b>											
	2	7.0	1 1/2	5.5	<a href="#">CFW700A07P0T2DB20</a>	Yes	A	12.1 x 5.8 x 9.0	13.9	<b>\$1,350</b>	V1	
	3	10	2	8.0	<a href="#">CFW700A10P0T2DB20</a>	Yes	A	12.1 x 5.8 x 9.0	13.9	<b>\$1,410</b>	V1	
	5	13	3	11	<a href="#">CFW700A13P0T2DB20</a>	Yes	A	12.1 x 5.8 x 9.0	13.9	<b>\$1,440</b>	V1	
	5	16	5	13	<a href="#">CFW700A16P0T2DB20</a>	Yes	A	12.1 x 5.8 x 9.0	13.9	<b>\$1,542</b>	V1	
	7 1/2	24	7 1/2	20	<a href="#">CFW700B24P0T2DB20</a>	Yes	B	13.9 x 7.5 x 9.0	24.1	<b>\$2,020</b>	V1	
	10	28	10	24	<a href="#">CFW700B28P0T2DB20</a>	Yes	B	13.9 x 7.5 x 9.0	24.1	<b>\$2,201</b>	V1	
	10	33.5	10	28	<a href="#">CFW700B33P5T2DB20</a>	Yes	B	13.9 x 7.5 x 9.0	24.1	<b>\$2,600</b>	V1	
	15	45	15	36	<a href="#">CFW700C45P0T2DB20</a>	Yes	C	17.7 x 8.7 x 11.5	44.6	<b>\$2,900</b>	V1	
	20	54	20	45	<a href="#">CFW700C54P0T2DB20</a>	Yes	C	17.7 x 8.7 x 11.5	44.6	<b>\$3,700</b>	V1	
	25	70	20	56	<a href="#">CFW700C70P0T2DB20</a>	Yes	C	17.7 x 8.7 x 11.5	44.6	<b>\$4,880</b>	V1	
	30	86	25	70	<a href="#">CFW700D86P0T2DBN1</a>	Yes	D	19.9 x 11.9 x 12.0	120.2	<b>\$6,101</b>	V1	
	40	105	30	86	<a href="#">CFW700D105T2DBN1</a>	Yes	D	19.9 x 11.9 x 12.0	120.2	<b>\$8,100</b>	V1	
	50	142	40	115	<a href="#">CFW700E142T2DB20C3</a>	Yes	E <sup>5</sup>	26.6 x 13.2 x 14.1	143	<b>\$11,500</b>	V1	
	60	180	50	142	<a href="#">CFW700E180T2DB20C3</a>	Yes	E <sup>5</sup>	26.6 x 13.2 x 14.1	143	<b>\$15,500</b>	V1	
	75	211	60	180	<a href="#">CFW700E211T2DB20C3</a>	Yes	E <sup>5</sup>	26.6 x 13.2 x 14.1	143	<b>\$21,222</b>	V1	
	<b>Input Power Supply: Three-Phase 200-240 Vac without Dynamic Braking Transistor</b>											
	50	142	40	115	<a href="#">CFW700E142T2NB20C3</a>	No	E <sup>5</sup>	26.6 x 13.2 x 14.1	143	<b>\$10,101</b>	V1	
60	180	50	142	<a href="#">CFW700E180T2NB20C3</a>	No	E <sup>5</sup>	26.6 x 13.2 x 14.1	143	<b>\$12,999</b>	V1		
75	211	60	180	<a href="#">CFW700E211T2NB20C3</a>	No	E <sup>5</sup>	26.6 x 13.2 x 14.1	143	<b>\$18,555</b>	V1		

**Notes:**

- 1) CT = Constant Torque, 150% overload / 60 sec.; VT = Variable Torque (Quadratic Load), 110% overload / 60 sec.
  - 2) "HP" rating based on "average FLA values". Use as a guide only.
  - 3) Motor FLA may vary with speed and manufacturer. ALWAYS compare motor FLA to Nominal AMPS of drive.
  - 4) All 575V drives are non-stocked items. Consult WEG for availability.
  - 5) Maximum 45°C ambient temperature without derating
  - 6) Dimensions and weights are provided for estimating purposes only.
- For other technical data please refer to WEG product manual.

VFDs and Enclosed Motor Controls

Please refer to back cover for description of "NOTES"

For detailed specifications, data sheets, drawings and performance curves visit <http://www.weg.net>



IP20 Enclosure (Use NEMA1 kit, part # KN1x-01/02, to convert IP20 rated CFW700 to UL TYPE 1 / NEMA1)

Motor Voltage	ND / VT <sup>1</sup>		HD / CT <sup>1</sup>		Catalog Number	Braking Transistor	Frame Size	Dimensions (in.) HxWxD <sup>6</sup>	Approx. Weight (lbs.) <sup>6</sup>	List Price	Multiplier
	Motor HP <sup>2</sup>	Drive Amps <sup>3</sup>	Motor HP <sup>2</sup>	Drive Amps <sup>3</sup>							
460 Vac	<b>Input Power Supply: Three-Phase 380-480 Vac with Dynamic Braking Transistor</b>										
	2	3.6	2	3.6	CFW700A03P6T4DB20	Yes	A	12.1 x 5.8 x 9.0	13.9	<b>\$1,350</b>	V1
	3	5.0	3	5.0	CFW700A05P0T4DB20	Yes	A	12.1 x 5.8 x 9.0	13.9	<b>\$1,444</b>	V1
	5	7.0	3	5.5	CFW700A07P0T4DB20	Yes	A	12.1 x 5.8 x 9.0	13.9	<b>\$1,510</b>	V1
	7 1/2	10	5	10	CFW700A10P0T4DB20	Yes	A	12.1 x 5.8 x 9.0	13.9	<b>\$1,600</b>	V1
	10	13.5	7 1/2	11	CFW700A13P5T4DB20	Yes	A	12.1 x 5.8 x 9.0	13.9	<b>\$1,711</b>	V1
	10	17	10	13.5	CFW700B17P0T4DB20	Yes	B	13.9 x 7.5 x 9.0	24.1	<b>\$2,055</b>	V1
	15	24	10	19	CFW700B24P0T4DB20	Yes	B	13.9 x 7.5 x 9.0	24.1	<b>\$2,455</b>	V1
	20	31	15	25	CFW700B31P0T4DB20	Yes	B	13.9 x 7.5 x 9.0	24.1	<b>\$3,450</b>	V1
	25	38	20	33	CFW700C38P0T4DB20	Yes	C	17.7 x 8.7 x 11.5	44.6	<b>\$3,888</b>	V1
	30	45	25	38	CFW700C45P0T4DB20	Yes	C	17.7 x 8.7 x 11.5	44.6	<b>\$5,000</b>	V1
	40	58.5	30	47	CFW700C58P5T4DB20	Yes	C	17.7 x 8.7 x 11.5	44.6	<b>\$5,800</b>	V1
	50/60	70.5	40	61	CFW700D70P5T4DBN1	Yes	D	19.9 x 11.9 x 12.0	120.2	<b>\$6,888</b>	V1
	60/75	88	50	73	CFW700D88P0T4DBN1	Yes	D	19.9 x 11.9 x 12.0	120.2	<b>\$8,100</b>	V1
	75	105	75	88	CFW700E105T4DB20C3	Yes	E <sup>5</sup>	26.6 x 13.2 x 14.1	143	<b>\$11,989</b>	V1
	100/125	142	75	115	CFW700E142T4DB20C3	Yes	E <sup>5</sup>	26.6 x 13.2 x 14.1	143	<b>\$14,989</b>	V1
	150	180	100	142	CFW700E180T4DB20C3	Yes	E <sup>5</sup>	26.6 x 13.2 x 14.1	143	<b>\$20,989</b>	V1
	175	211	150	180	CFW700E211T4DB20C3	Yes	E <sup>5</sup>	26.6 x 13.2 x 14.1	143	<b>\$25,989</b>	V1
	<b>Input Power Supply: Three-Phase 380-480 Vac without Dynamic Braking Transistor</b>										
	75	105	75	88	CFW700E105T4NB20C3	No	E <sup>5</sup>	26.6 x 13.2 x 14.1	143	<b>\$9,999</b>	V1
100/125	142	75	115	CFW700E142T4NB20C3	No	E <sup>5</sup>	26.6 x 13.2 x 14.1	143	<b>\$12,000</b>	V1	
150	180	100	142	CFW700E180T4NB20C3	No	E <sup>5</sup>	26.6 x 13.2 x 14.1	143	<b>\$15,400</b>	V1	
175	211	150	180	CFW700E0211T4NB20C3	No	E <sup>5</sup>	26.6 x 13.2 x 14.1	143	<b>\$18,787</b>	V1	

**Notes:**

- 1) CT = Constant Torque, 150% overload / 60 sec.; VT = Variable Torque (Quadratic Load), 110% overload / 60 sec.
- 2) "HP" rating based on "average FLA values". Use as a guide only.
- 3) Motor FLA may vary with speed and manufacturer. ALWAYS compare motor FLA to Nominal AMPS of drive.
- 4) All 575V drives are non-stocked items. Consult WEG for availability.
- 5) Maximum 45°C ambient temperature without derating
- 6) Dimensions and weights are provided for estimating purposes only. For other technical data please refer to WEG product manual.

VFDs and Enclosed Motor Controls

Please refer to back cover for description of "NOTES"

For detailed specifications, data sheets, drawings and performance curves visit <http://www.weg.net>

Data subject to change without notice.

Can't find what you are looking for? Call 1-800-ASK-4WEG (275-4934)

CFW700

IP20 Enclosure (Use NEMA1 kit, part # KN1x-01/02, to convert IP20 rated CFW700 to UL TYPE 1 / NEMA1)

Motor Voltage	ND / VT <sup>1</sup>		HD / CT <sup>1</sup>		Catalog Number	Braking Transistor	Frame Size	Dimensions (in.) HxWxD <sup>6</sup>	Approx. Weight (lbs.) <sup>6</sup>	List Price	Multiplier
	Motor HP <sup>2</sup>	Drive Amps <sup>3</sup>	Motor HP <sup>2</sup>	Drive Amps <sup>3</sup>							
575 Vac <sup>4</sup>	<b>Input Power Supply: Three-Phase 500-600 Vac with Dynamic Braking Transistor</b>										
	2	2.9	2	2.7	<a href="#">CFW700B02P9T5DB20</a>	Yes	B	13.9 x 7.5 x 9.0	24.1	<b>\$1,689</b>	V1
	3	4.2	3	3.8	<a href="#">CFW700B04P2T5DB20</a>	Yes	B	13.9 x 7.5 x 9.0	24.1	<b>\$1,759</b>	V1
	7 1/2	7.0	5	6.5	<a href="#">CFW700B07P0T5DB20</a>	Yes	B	13.9 x 7.5 x 9.0	24.1	<b>\$1,874</b>	V1
	10	10	7 1/2	9.0	<a href="#">CFW700B10P0T5DB20</a>	Yes	B	13.9 x 7.5 x 9.0	24.1	<b>\$2,048</b>	V1
	10	12	10	10	<a href="#">CFW700B12P0T5DB20</a>	Yes	B	13.9 x 7.5 x 9.0	24.1	<b>\$2,171</b>	V1
	15	17	15	17	<a href="#">CFW700B17P0T5DB20</a>	Yes	B	13.9 x 7.5 x 9.0	24.1	<b>\$2,552</b>	V1
	20	22	20	19	<a href="#">CFW700C22P0T5DB20</a>	Yes	C	19.9 x 11.9 x 12.0	120.2	<b>\$4,235</b>	V1
	25	27	20	22	<a href="#">CFW700C27P0T5DB20</a>	Yes	C	19.9 x 11.9 x 12.0	120.2	<b>\$4,506</b>	V1
	30	32	25	27	<a href="#">CFW700C32P0T5DB20</a>	Yes	C	19.9 x 11.9 x 12.0	120.2	<b>\$6,486</b>	V1
	40	44	30	36	<a href="#">CFW700C44P0T5DB20</a>	Yes	C	19.9 x 11.9 x 12.0	120.2	<b>\$7,309</b>	V1
	50	53	40	44	<a href="#">CFW700E53P0T5DB20C3</a>	Yes	E <sup>5</sup>	26.6 x 13.2 x 14.1	143	<b>\$9,118</b>	V1
	60	63	50	53	<a href="#">CFW700E63P0T5DB20C3</a>	Yes	E <sup>5</sup>	26.6 x 13.2 x 14.1	143	<b>\$11,580</b>	V1
	75	80	75	66	<a href="#">CFW700E80P0T5DB20C3</a>	Yes	E <sup>5</sup>	26.6 x 13.2 x 14.1	143	<b>\$12,091</b>	V1
	100	107	100	90	<a href="#">CFW700E0107T5DB20C3</a>	Yes	E <sup>5</sup>	26.6 x 13.2 x 14.1	143	<b>\$16,240</b>	V1
	125	125	100	107	<a href="#">CFW700E0125T5DB20C3</a>	Yes	E <sup>5</sup>	26.6 x 13.2 x 14.1	143	<b>\$16,910</b>	V1
	150	150	125	122	<a href="#">CFW700E0150T5DB20C3</a>	Yes	E <sup>5</sup>	26.6 x 13.2 x 14.1	143	<b>\$23,456</b>	V1
	<b>Input Power Supply: Three-Phase 500-600 Vac without Dynamic Braking Transistor</b>										
	20	22	20	19	<a href="#">CFW700D22P0T5NBN1</a>	No	D	26.6 x 13.2 x 14.1	120.2	<b>\$3,921</b>	V1
	25	27	20	22	<a href="#">CFW700D27P0T5NBN1</a>	No	D	26.6 x 13.2 x 14.1	120.2	<b>\$4,450</b>	V1
	30	32	25	27	<a href="#">CFW700D32P0T5NBN1</a>	No	D	26.6 x 13.2 x 14.1	120.2	<b>\$5,763</b>	V1
	40	44	30	36	<a href="#">CFW700D44P0T5NBN1</a>	No	D	26.6 x 13.2 x 14.1	120.2	<b>\$6,768</b>	V1
	50	53	40	44	<a href="#">CFW700E53P0T5NB20C3</a>	No	E <sup>5</sup>	26.6 x 13.2 x 14.1	143	<b>\$8,446</b>	V1
	60	63	50	53	<a href="#">CFW700E63P0T5NB20C3</a>	No	E <sup>5</sup>	26.6 x 13.2 x 14.1	143	<b>\$10,728</b>	V1
	75	80	75	66	<a href="#">CFW700E80P0T5NB20C3</a>	No	E <sup>5</sup>	26.6 x 13.2 x 14.1	143	<b>\$11,200</b>	V1
	100	107	100	90	<a href="#">CFW700E0107T5NB20C3</a>	No	E <sup>5</sup>	26.6 x 13.2 x 14.1	143	<b>\$15,042</b>	V1
125	125	100	107	<a href="#">CFW700E0125T5NB20C3</a>	No	E <sup>5</sup>	26.6 x 13.2 x 14.1	143	<b>\$15,662</b>	V1	
150	150	125	122	<a href="#">CFW700E0150T5NB20C3</a>	No	E <sup>5</sup>	26.6 x 13.2 x 14.1	143	<b>\$21,723</b>	V1	

**Notes:**

- 1) CT = Constant Torque, 150% overload / 60 sec.; VT = Variable Torque (Quadratic Load), 110% overload / 60 sec.
  - 2) "HP" rating based on "average FLA values". Use as a guide only.
  - 3) Motor FLA may vary with speed and manufacturer. ALWAYS compare motor FLA to Nominal AMPS of drive.
  - 4) All 575V drives are non-stocked items. Consult WEG for availability.
  - 5) Maximum 45°C ambient temperature without derating
  - 6) Dimensions and weights are provided for estimating purposes only.
- For other technical data please refer to WEG product manual.

Please refer to back cover for description of "NOTES"

For detailed specifications, data sheets, drawings and performance curves visit <http://www.weg.net>

### Options and Accessories

Type	Catalog Number	Description	List Price	Multiplier
Communication	<b>CAN-01</b>	CAN interface module (CANopen/DeviceNet) (CFW11 & CFW700)	<b>\$410</b>	V1
	<b>PROFIBUS DP-01</b>	Profibus DP-V1 interface module (CFW11 & CFW700)	<b>\$520</b>	V1
I/O	<b>CCK-01</b>	Relay Output Module for CFW700 and CFW701, 2 Form C Relay Outputs	<b>\$105</b>	V1
Flash Memory	<b>MMF-02</b>	Flash Memory Module for CFW700 and CFW701	<b>\$71</b>	V1
Keypad and Accessories	<b>HMI-02</b>	CFW700 Standard Keypad with USB	<b>\$320</b>	V1
	<b>RHMIF-02</b>	CFW700 Remote Keypad Frame Kit	<b>\$69</b>	V1
	<b>HMI-03</b>	CFW701 Standard Keypad with USB	<b>\$320</b>	V1
	<b>RHMIF-03</b>	CFW701 Remote Keypad Frame Kit	<b>\$69</b>	V1
	<b>HMID-01</b>	Blank Keypad Cover for Keypad Slot (CFW11, CFW700 & CFW701)	<b>\$54</b>	V1
Remote Keypad Cable	<b>IHM-CAB-RS-1M</b>	3.3 ft (1 meter) Remote Keypad Cable (CFW11 & CFW700)	<b>\$54</b>	V1
	<b>IHM-CAB-RS-2M</b>	6.6 ft (2 meter) Remote Keypad Cable (CFW11 & CFW700)	<b>\$60</b>	V1
	<b>IHM-CAB-RS-3M</b>	9.9 ft (3 meter) Remote Keypad Cable (CFW11 & CFW700)	<b>\$66</b>	V1
	<b>IHM-CAB-RS-5M</b>	16 ft (5 meter) Remote Keypad Cable (CFW11 & CFW700)	<b>\$75</b>	V1
	<b>IHM-CAB-RS-7.5M</b>	25 ft (7.5 meter) Remote Keypad Cable (CFW11 & CFW700)	<b>\$90</b>	V1
	<b>IHM-CAB-RS-10M</b>	33 ft (10 meter) Remote Keypad Cable (CFW11 & CFW700)	<b>\$102</b>	V1
Remote Oper. Station	<b>CSW-SP3PBS</b>	Remote Operator Station-includes 22mm Start PB, Stop PB, 1-NC and 1-NO contact block, 5k-ohm Potentiometer and legends (replaces CFW-REM)	<b>\$460</b>	Z5
	<b>CSW30-SP3PBS</b>	Remote Operator Station-includes 30mm Start PB, Stop PB, 1-NC and 1-NO contact block, 5k-ohm Potentiometer and legends (replaces CFW-REM)	<b>\$535</b>	Z5
Conduit Kit	<b>KN1A-02</b>	Conduit Kit for frame size A with power cables shielding	<b>\$125</b>	V1
	<b>KN1B-02</b>	Conduit Kit for frame size B with power cables shielding	<b>\$125</b>	V1
	<b>KN1C-02</b>	Conduit Kit for frame size C with power cables shielding	<b>\$142</b>	V1
	<b>KN1E-01</b>	Top cover kit for frame size E (105 & 142A)	<b>\$78</b>	V1
	<b>KN1E-02</b>	Top cover kit plus Conduit kit for frame size E (180 & 211A)	<b>\$213</b>	V1
	<b>KIP21D-01</b>	IP21 Kit for Frame size D (top cover) (CFW11 & CFW700)	<b>\$120</b>	V1
Cable Shield Kit	<b>PCSA-01</b>	Power Cables Shielding Kit for frame size A (CFW11 & CFW700)	<b>\$48</b>	V1
	<b>PCSB-01</b>	Power Cables Shielding Kit for frame size B (CFW11 & CFW700)	<b>\$51</b>	V1
	<b>PCSC-01</b>	Power Cables Shielding Kit for frame size C (CFW11 & CFW700)	<b>\$54</b>	V1
	<b>PCSD-01</b>	Power Cables Shielding Kit for frame size D (CFW11 & CFW700)	<b>\$56</b>	V1
	<b>PCSE-01</b>	Power Cables Shielding Kit for frame size E (CFW11 & CFW700)	<b>\$76</b>	V1

VFDs and Enclosed Motor Controls

Please refer to back cover for description of "NOTES"

For detailed specifications, data sheets, drawings and performance curves visit <http://www.weg.net>

Data subject to change without notice.

Can't find what you are looking for? Call 1-800-ASK-4WEG (275-4934)

CFW700

## Technical Data

<b>Power Supply</b>	Voltage	Single Phase or Three Phase	200-240V (+10%, -15%)
		Three phase	380-480V (+10%, -15%)
	Frequency	50 / 60Hz +/- 2Hz	
	Displacement Power Factor (Cos)	Greater than 0.98	
<b>Enclosure</b>	Degree of Protection	IP2	
<b>Control</b>	Control Modes	Volts per Hertz (Scalar)	Voltage Vector (VVW)
		Sensorless Vector	Vector with encoder
	Power Output	Sinusoidal PWM (Space Vector Modulation)	
		IGBT Transistors	
	Switching Frequency	1.25, 2.0, 2.5, 5.0 or 10.0 kHz	
	Frequency Range	0-300 Hz in Scalar Mode; 120 Hz in Vector Mode	
	Overload Capacity	CT = Constant Torque, 150% overload / 60 sec. VT = Variable Torque (Quadratic Load), 110% overload / 60 sec.	
<b>Control Inputs</b>	8 programmable isolated digital inputs, 24Vdc logic		
	2 isolated programmable differential analog inputs 11 bit; programmable for current or voltage (0-10V, 4-20mA or 0-20mA)		
	Motor thermistor - PTC/PT100/KTY84		
	Incremental encoder input – 5 to 12V		
<b>Control Outputs</b>	1 programmable relay output; NO/NC (Form C); 240Vac, 30Vdc / 0.75 A		
	4 programmable isolated open collector digital outputs; 24Vdc, 80mA max.		
	2 non-isolated programmable analog outputs 10 bit; programmable for current or voltage (0-10V, 4-20mA or 0-20mA)		
<b>Communication</b>	Serial	Optional RS-232 serial interface, RS-485 with external RS-232/485 converter	
	Field Bus	Isolated RS-485 / Modbus RTU (standard)	
		CAN interface module (CANopen/DeviceNet)	
		Profibus DP interface module	
<b>Safety</b>	Protections	Motor over current	DC link over voltage
		Motor overload	DC link under voltage
		Output phase-to-phase short circuit	Drive over temperature
		Output phase-to-ground short circuit	External fault
		Programming error	
<b>Ambient</b>	Temperature	14 - 122°F (50°C), up to 140°F (60°C) with 2% / 1.8°F (1°C) output current derating	
	Humidity	5-90% Non Condensing	
	Altitude	0-3300 ft (1000m), up to 13,200 ft (4000m) with 1% output current derating per 330ft (100m) above 3300 ft (1000m).	
<b>Regulatory / Safety Conformance</b>	IEC 60146	Semiconductor converters	
	UL 508 C	Power Conversion Equipment	
	UL 840	Insulation coordination including clearances and creepage distances for electrical equipment.	
	UL 94	Plenum Rated - Meets UL94 Standard for Tests for Flammability	
	EN 50178	Electronic equipment for use in power installations	
	EN 61800-2	General requirements adjustable speed electrical power drive systems	
	EN 61800-3	EMC product standard including specific test methods adjustable speed electrical power drive systems	
	EN 61800-5-1	Safety requirements adjustable speed electrical power drive systems	
	EN 60204-1	Safety of machinery. Electrical equipment of machines. Part 1: General requirements.	
	RoHS and WEEE Guidelines		
<b>Approvals</b>	UL, cUL, CE, C-Tick, GOST, IRAM		
<b>Special Functions</b>	Linear and "S" ramp accel and decel, local/remote control, FWD/REV selection, DC braking, manual and auto torque boost, motor slip compensation, electronic pot, two skip frequencies, max. and min. adjustable frequency limits, adjustable output current, PID Controller		
<b>Keypad</b>	Backlit LCD display with 9 operator keys, remote mounting option available		
	Readouts for: output frequency (Hz), output current (A), output voltage (V), motor torque (%) in vector mode, DC bus voltage (V), value proportional to frequency (Ex.: RPM), heatsink temperature, fault and status messages <small>Please refer to back cover for description of "NOTES"</small>		

For detailed specifications, data sheets, drawings and performance curves visit <http://www.weg.net>



### Line Reactors

### 3% Z (Impedance) – NEMA 1 Enclosure

Motor Voltage	Motor HP	Reactor Amps	Catalog Number	Dimensions (in.) <sup>1</sup> HxWxD	Approx. Weight (lbs.) <sup>1</sup>	List Price	Multiplier
<b>Input Power Supply: Three-Phase 230 Vac</b>							
230 Vac	3	12	LRW012D3N1	8 x 8 x 6	16	\$436	V1
	5	18	LRW018D3N1	8 x 8 x 6	16	\$512	V1
	7 1/2	25	LRW025D3N1	13 x 13.3 x 13.1	42	\$590	V1
	10	35	LRW035D3N1	13 x 13.3 x 13.1	45	\$634	V1
	15	45	LRW045D3N1	13 x 13.3 x 13.1	54	\$756	V1
	20	55	LRW055D3N1	13 x 13.3 x 13.1	55	\$890	V1
	25 / 30	80	LRW080D3N1	13 x 13.3 x 13.1	74	\$905	V1
	40	100	LRW100D3N1	13 x 13.3 x 13.1	78	\$1,086	V1
	50	130	LRW130D3N1	13 x 13.3 x 13.1	60	\$1,175	V1
	60	160	LRW160D3N1	13 x 13.3 x 13.1	71	\$1,424	V1
	75	200	LRW200D3N1	13 x 13.3 x 13.1	79	\$1,488	V1
<b>Input Power Supply: Three-Phase 460 Vac</b>							
460 Vac	1 1/2	2	LRW002G3N1	8 x 8 x 6	11	\$387	V1
	2, 3	4	LRW004G3N1	8 x 8 x 6	11	\$394	V1
	5	8	LRW008G3N1	8 x 8 x 6	14	\$415	V1
	7 1/2	12	LRW012G3N1	8 x 8 x 6	16	\$452	V1
	10	18	LRW018G3N1	8 x 8 x 6	16	\$519	V1
	15	25	LRW025G3N1	13 x 13.3 x 13.1	42	\$601	V1
	20 / 25	35	LRW035G3N1	13 x 13.3 x 13.1	45	\$715	V1
	30	45	LRW045G3N1	13 x 13.3 x 13.1	54	\$841	V1
	40	55	LRW055G3N1	13 x 13.3 x 13.1	55	\$987	V1
	50 / 60	80	LRW080G3N1	13 x 13.3 x 13.1	60	\$1,179	V1
	75	100	LRW100G3N1	13 x 13.3 x 13.1	71	\$1,450	V1
	100	130	LRW130G3N1	13 x 13.3 x 13.1	74	\$1,750	V1
	125	160	LRW160G3N1	13 x 13.3 x 13.1	48	\$2,060	V1
	150	200	LRW200G3N1	13 x 13.3 x 13.1	79	\$2,400	V1
	200	250	LRW250G3N1	24 x 18.4 x 16.8	99	\$2,990	V1
	250	320	LRW320G3N1	24 x 18.4 x 16.8	155	\$3,700	V1
	300	400	LRW400G3N1	24 x 18.4 x 16.8	155	\$4,962	V1
	350 / 400	500	LRW500G3N1	47 x 26.5 x 24.9	165	\$6,446	V1
450 / 500	600	LRW600G3N1	47 x 26.5 x 24.9	205	\$7,950	V1	
750 / 800	1000	LRW1000G3N1	Consult Factory			\$9,788	V1

**Notes:**

1) Dimensions and weights are provided for estimating purposes only.

VFDs and Enclosed Motor Controls

Please refer to back cover for description of "NOTES"

For detailed specifications, data sheets, drawings and performance curves visit <http://www.weg.net>

Data subject to change without notice.

Can't find what you are looking for? Call 1-800-ASK-4WEG (275-4934)

# Variable Frequency Drives



The WEG CFW500 Wash series is a redesign of our most successful CFW500 series product line. Engineer improvements have produced one of the most compact and full featured washdown drive in the market.

The new version with IP66/NEMA 4X protection rating increases the product robustness, ensuring protection against the ingress of dust and water jets from any direction, which allows its use and installation both indoors and outdoors. The new IP66 models of the CFW500 line have the following characteristics.

## Standard Features

- Same programming as other WEG VFDs including CFW500-IP20.
- Built-in SoftPLC.
- Scalar, Vector Control (Senseless and closed loop with encoder feedback) & VVW PM (suitable for fan, Pump and compressor).
- NEMA 4X(IP66) Enclosure.
- Available with and without disconnect switch.
- Suitable for indoor and Outdoor use.
- 200-240V, 380-480V or 500-600 input voltage.
- Heavy Duty rated - 150% current overload capacity.
- 0 to 500 Hz output frequency.
- 2.5 to 15 kHz adjustable switching frequency (5 kHz standard)
- Built-in 24Vdc Power supply (max. 150 mA).
- Built-in RS-485 (Modbus RTU) communication.
- Four isolated programmable digital inputs.
- One programmable relay output (1NO, 1NC, 240vac 0.5A).
- One programmable transistor output.
- One isolated programmable analog input (0-10V, 0/4-20mA).
- One isolated programmable analog output (0-10V, 0/4-20mA).
- Protective features: Over current (Phase-Phase short circuit in the output or phase-ground short circuit in the output), Under/overvoltage, overtemperature in heatsink, motor overload, IGBT overload and external fault.
- Control features: Linear and "S" ramp acceleration and deceleration, local/remote control, DC braking, torque boost, motor slip compensation, electronic pot, preset speeds, adjustable V/Hz profile, maximum and minimum adjustable frequency limits, two skip frequencies, adjustable output current limit, JOG, ride-thru, flying start and PID regulator.
- Same keypad with backlight as of CFW500 product line with Main display line, secondary display line and bar graph display.
- Ambient: 14°F (-10°C) to 104°F (40°C), 3300ft (1000m) altitude, 5-95% humidity, non-condensing.
- WLP and WPS (only 230VAC and 460VAC Models) compatible.

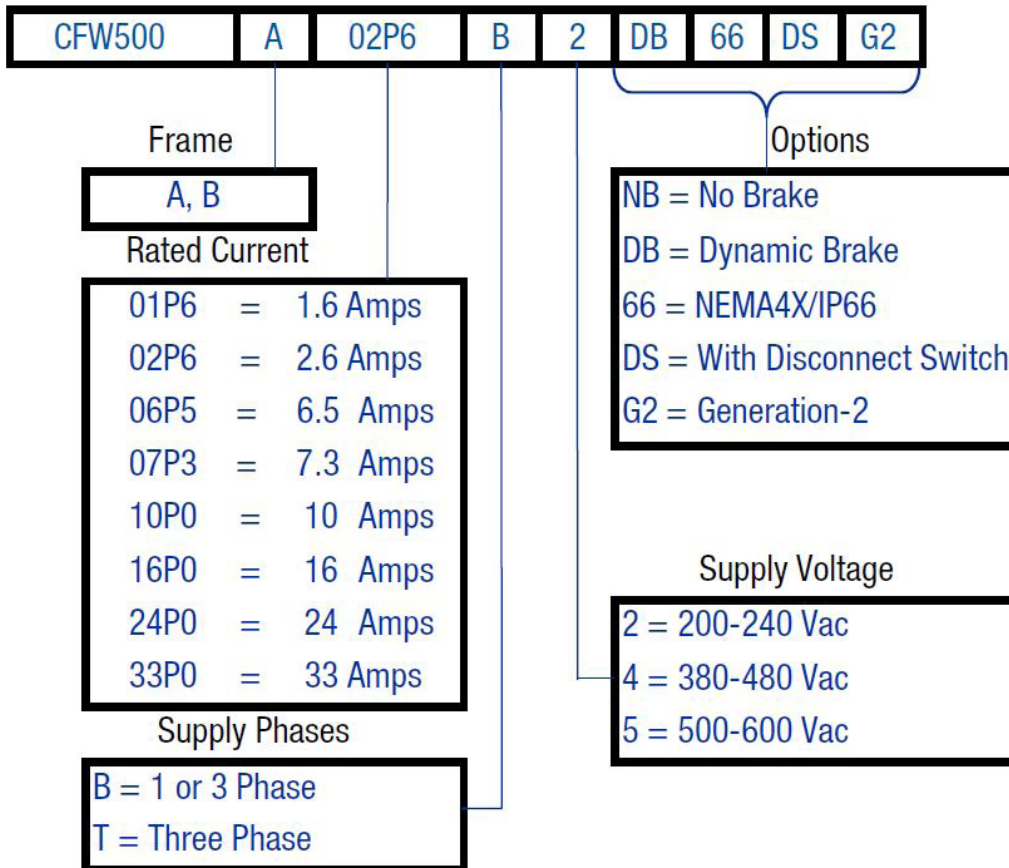
For Indoor / Outdoor Use



## Applications NEMA 4X

- Pumps
- Fans
- Blowers
- Conveyors
- Rollout tables
- Agitators
- Mixers
- Any washdown applications

## CFW500-N4X/IP66 Catalog Number Sequence



## CFW500 WASH

### CFW500 - N4X/IP66 VFD W/O DISCONNECT SWITCH

Motor Voltage	HD - Motor HP <sup>1</sup>	HD - Drive Amps <sup>2</sup>	Catalog Number	Braking Transistor	Frame Size <sup>4</sup>	Dimensions (in.) HxWxD	Approx. Weight (lbs.)	List Price	Multiplier New (Old)	
230 Vac / 3 Phase	Input Power Supply: Single or Three-Phase 200-240 Vac									
	1/3	1.6	<a href="#">CFW500A01P6B2DB66G2</a>	Yes	A	10.4 x 6.5 x 8.9	22.0	\$775	V1G (V1)	
	3/4	2.6	<a href="#">CFW500A02P6B2DB66G2</a>	Yes	A	10.4 x 6.5 x 8.9	22.0	\$800	V1G (V1)	
	1 1/2	4.3	<a href="#">CFW500A04P3B2DB66G2</a>	Yes	A	10.4 x 6.5 x 8.9	22.0	\$850	V1G (V1)	
	2	7.3	<a href="#">CFW500A07P3B2DB66G2</a>	Yes	A	10.4 x 6.5 x 8.9	22.0	\$1,015	V1G (V1)	
	3	10.0	<a href="#">CFW500A10P0B2DB66G2</a>	Yes	A	10.4 x 6.5 x 8.9	22.0	\$1,095	V1G (V1)	
	Input Power Supply: Three-Phase 200-240 Vac									
	5	16	<a href="#">CFW500A16P0T2DB66G2</a>	Yes	A	10.4 x 6.5 x 8.9	22.0	\$1,350	V1G (V1)	
	7 1/2	24	<a href="#">CFW500B24P0T2DB66G2</a>	Yes	B	13.4 x 8.5 x 8.9	26.5	\$1,950	V1G (V1)	
	10	28	<a href="#">CFW500B28P0T2DB66G2</a>	Yes	B	13.4 x 8.5 x 8.9	26.5	\$2,275	V1G (V1)	
	10	33	<a href="#">CFW500B33P0T2DB66G2</a>	Yes	B	13.4 x 8.5 x 8.9	26.5	\$2,675	V1G (V1)	
	460 Vac / 3 Phase	Input Power Supply: Three-Phase 380-480 Vac								
		1/2	1.0	<a href="#">CFW500A01P0T4DB66G2</a>	Yes	A	10.4 x 6.5 x 8.9	22.0	\$950	V1G (V1)
		1	1.6	<a href="#">CFW500A01P6T4DB66G2</a>	Yes	A	10.4 x 6.5 x 8.9	22.0	\$975	V1G (V1)
2		2.6	<a href="#">CFW500A02P6T4DB66G2</a>	Yes	A	10.4 x 6.5 x 8.9	22.0	\$990	V1G (V1)	
3		4.3	<a href="#">CFW500A04P3T4DB66G2</a>	Yes	A	10.4 x 6.5 x 8.9	22.0	\$1,175	V1G (V1)	
5		6.5	<a href="#">CFW500A06P5T4DB66G2</a>	Yes	A	10.4 x 6.5 x 8.9	22.0	\$1,400	V1G (V1)	
7 1/2		10	<a href="#">CFW500A10P0T4DB66G2</a>	Yes	A	10.4 x 6.5 x 8.9	22.0	\$1,650	V1G (V1)	
10		14	<a href="#">CFW500B14P0T4DB66G2</a>	Yes	B	13.4 x 8.5 x 8.9	26.5	\$2,050	V1G (V1)	
10		16	<a href="#">CFW500B16P0T4DB66G2</a>	Yes	B	13.4 x 8.5 x 8.9	26.5	\$2,275	V1G (V1)	
15		24	<a href="#">CFW500B24P0T4DB66G2</a>	Yes	B	13.4 x 8.5 x 8.9	26.5	\$3,025	V1G (V1)	
25		31	<a href="#">CFW500B31P0T4DB66G2</a>	Yes	B	13.4 x 8.5 x 8.9	26.5	\$3,650	V1G (V1)	
575 Vac / 3 Phase <sup>3</sup>		Input Power Supply: Three-Phase 500-600 Vac								
	1 1/2	1.7	<a href="#">CFW500B01P7T5DB66</a>	Yes	B	13.4 x 8.5 x 8.9	26.5	\$1,590	V1G (V1)	
	3	3.0	<a href="#">CFW500B03P0T5DB66</a>	Yes	B	13.4 x 8.5 x 8.9	26.5	\$1,670	V1G (V1)	
	3	4.3	<a href="#">CFW500B04P3T5DB66</a>	Yes	B	13.4 x 8.5 x 8.9	26.5	\$1,890	V1G (V1)	
	7 1/2	7.0	<a href="#">CFW500B07P0T5DB66</a>	Yes	B	13.4 x 8.5 x 8.9	26.5	\$2,115	V1G (V1)	
	10	10.0	<a href="#">CFW500B10P0T5DB66</a>	Yes	B	13.4 x 8.5 x 8.9	26.5	\$2,330	V1G (V1)	
	10	12.0	<a href="#">CFW500B12P0T5DB66</a>	Yes	B	13.4 x 8.5 x 8.9	26.5	\$2,615	V1G (V1)	

Notes:

- 1) HP rating based on WEG W22 motors average FLA values. Use as a guide only.
- 2) Motor FLA may vary with speed and manufacturer. ALWAYS compare motor FLA to Nominal AMPS of drive.
- 3) All 575V drives are non-stocked items and are still Generation-1 drives, consult WEG for availability.
- 4) Frame Size A & B are rated for 40°C ambient temperature.

Please refer to back cover for description of "NOTES"

For detailed specifications, data sheets, drawings and performance curves visit <http://www.weg.net>





### CFW500 - N4X/IP66 VFD With DISCONNECT SWITCH

Motor Voltage	HD - Motor HP <sup>1</sup>	HD - Drive Amps <sup>2</sup>	Catalog Number	Braking Transistor	Frame Size <sup>4</sup>	Dimensions (in.) HxWxD	Approx. Weight (lbs.)	List Price	Multiplier New (Old)	
230 Vac / 3 Phase	Input Power Supply: Single or Three-Phase 200-240 Vac									
	1/3	1.6	<a href="#">CFW500A01P6B2DB66DSG2</a>	Yes	A	10.4 x 6.5 x 9.9	22.0	<b>\$895</b>	V1G (V1)	
	3/4	2.6	<a href="#">CFW500A02P6B2DB66DSG2</a>	Yes	A	10.4 x 6.5 x 9.9	22.0	<b>\$920</b>	V1G (V1)	
	1 1/2	4.3	<a href="#">CFW500A04P3B2DB66DSG2</a>	Yes	A	10.4 x 6.5 x 9.9	22.0	<b>\$980</b>	V1G (V1)	
	2	7.3	<a href="#">CFW500A07P3B2DB66DSG2</a>	Yes	A	10.4 x 6.5 x 9.9	22.0	<b>\$1,170</b>	V1G (V1)	
	3	10.0	<a href="#">CFW500A10P0B2DB66DSG2</a>	Yes	A	10.4 x 6.5 x 9.9	22.0	<b>\$1,255</b>	V1G (V1)	
	Input Power Supply: Three-Phase 200-240 Vac									
	5	16	<a href="#">CFW500A16P0T2DB66DSG2</a>	Yes	A	10.4 x 6.5 x 9.9	22.0	<b>\$1,555</b>	V1G (V1)	
	7 1/2	24	<a href="#">CFW500B24P0T2DB66DSG2</a>	Yes	B	13.4 x 8.5 x 9.9	26.5	<b>\$2,245</b>	V1G (V1)	
	10	28	<a href="#">CFW500B28P0T2DB66DSG2</a>	Yes	B	13.4 x 8.5 x 9.9	26.5	<b>\$2,620</b>	V1G (V1)	
	10	33	<a href="#">CFW500B33P0T2DB66DSG2</a>	Yes	B	13.4 x 8.5 x 9.9	26.5	<b>\$3,080</b>	V1G (V1)	
	460 Vac / 3 Phase	Input Power Supply: Three-Phase 380-480 Vac								
		1/2	1.0	<a href="#">CFW500A01P0T4DB66DSG2</a>	Yes	A	10.4 x 6.5 x 9.9	22.0	<b>\$1,095</b>	V1G (V1)
		1	1.6	<a href="#">CFW500A01P6T4DB66DSG2</a>	Yes	A	10.4 x 6.5 x 9.9	22.0	<b>\$1,125</b>	V1G (V1)
2		2.6	<a href="#">CFW500A02P6T4DB66DSG2</a>	Yes	A	10.4 x 6.5 x 9.9	22.0	<b>\$1,140</b>	V1G (V1)	
3		4.3	<a href="#">CFW500A04P3T4DB66DSG2</a>	Yes	A	10.4 x 6.5 x 9.9	22.0	<b>\$1,350</b>	V1G (V1)	
5		6.5	<a href="#">CFW500A06P5T4DB66DSG2</a>	Yes	A	10.4 x 6.5 x 9.9	22.0	<b>\$1,610</b>	V1G (V1)	
7 1/2		10	<a href="#">CFW500A10P0T4DB66DSG2</a>	Yes	A	10.4 x 6.5 x 9.9	22.0	<b>\$1,900</b>	V1G (V1)	
10		14	<a href="#">CFW500B14P0T4DB66DSG2</a>	Yes	B	13.4 x 8.5 x 9.9	26.5	<b>\$2,360</b>	V1G (V1)	
10		16	<a href="#">CFW500B16P0T4DB66DSG2</a>	Yes	B	13.4 x 8.5 x 9.9	26.5	<b>\$2,620</b>	V1G (V1)	
15		24	<a href="#">CFW500B24P0T4DB66DSG2</a>	Yes	B	13.4 x 8.5 x 9.9	26.5	<b>\$3,480</b>	V1G (V1)	
25		31	<a href="#">CFW500B31P0T4DB66DSG2</a>	Yes	B	13.4 x 8.5 x 9.9	26.5	<b>\$4,200</b>	V1G (V1)	
575 Vac / 3 Phase 3	Input Power Supply: Three-Phase 500-600 Vac									
	1 1/2	1.7	<a href="#">CFW500B01P7T5DB66DS</a>	Yes	B	13.4 x 8.5 x 9.9	26.5	<b>\$1,830</b>	V1G (V1)	
	3	3.0	<a href="#">CFW500B03P0T5DB66DS</a>	Yes	B	13.4 x 8.5 x 9.9	26.5	<b>\$1,925</b>	V1G (V1)	
	3	4.3	<a href="#">CFW500B04P3T5DB66DS</a>	Yes	B	13.4 x 8.5 x 9.9	26.5	<b>\$2,175</b>	V1G (V1)	
	7 1/2	7.0	<a href="#">CFW500B07P0T5DB66DS</a>	Yes	B	13.4 x 8.5 x 9.9	26.5	<b>\$2,435</b>	V1G (V1)	
	10	10.0	<a href="#">CFW500B10P0T5DB66DS</a>	Yes	B	13.4 x 8.5 x 9.9	26.5	<b>\$2,680</b>	V1G (V1)	
	10	12.0	<a href="#">CFW500B12P0T5DB66DS</a>	Yes	B	13.4 x 8.5 x 9.9	26.5	<b>\$3,005</b>	V1G (V1)	

Notes:

- 1) HP rating based on WEG W22 motors average FLA values. Use as a guide only.
- 2) Motor FLA may vary with speed and manufacturer. ALWAYS compare motor FLA to Nominal AMPS of drive.
- 3) All 575V drives are non-stocked items and are still Generation-1 drives, consult WEG for availability.
- 4) Frame Size A & B are rated for 40°C ambient temperature.

VFDs and Enclosed Motor Controls

Please refer to back cover for description of "NOTES"

For detailed specifications, data sheets, drawings and performance curves visit <http://www.weg.net>

Data subject to change without notice.

Can't find what you are looking for? Call 1-800-ASK-4WEG (275-4934)

## CFW500 WASH

### Options and Accessories

Type	CATALOG NUMBER	Description	Apprx. Shpg. Wt. (lbs.)
I/O	<b>CFW500-IOS</b> <sup>1</sup>	CFW500 I/O Module; 4 DI, 1 AI, 1 AO, 1 DOR, 1 DOT, 1 RS485, 10vdc, 24vdc	0.2
I/O	<b>CFW500-IOD</b>	CFW500 I/O Module; 8 DI, 1 AI, 1 AO, 1 DOR, 4 DOT, 1 RS485, 10vdc, 24vdc	0.2
I/O	<b>CFW500-IOAD</b>	CFW500 I/O Module; 6 DI, 3 AI, 2 AO, 1 DOR, 3 DOT, 1 RS485, 10vdc, 24vdc	0.2
I/O	<b>CFW500-IOR-B</b>	CFW500 I/O Module; 5 DI, 1 AI, 1 AO, 4 DOR, 1 DOT, 1 RS485, 10vdc, 24vdc	0.2
Encoder Input	<b>CFW500-ENC</b>	CFW500 Encoder Module; Quad Input A & B, 1 RS485, 5 DI, 1 AI, 1 AO, 3 DOR, 1 DOT, 24vdc	0.2
USB Card	<b>CFW500-CUSB</b>	CFW500 Comm. Module; 1 USB, 1 RS485, 4 DI, 1 AI, 1 AO, 1 DOR, 1 DOT, 10vdc, 24vdc	0.2
RS232 Card	<b>CFW500-CRS232</b>	CFW500 Comm. Module; 1 RS232, 1 RS485, 4 DI, 1 AI, 1 AO, 1 DOR, 1 DOT, 24vdc	0.2
RS485 Card	<b>CFW500-CRS485-B</b>	CFW500 Comm. Module; 2 RS485, 4 DI, 2 AI, 1 AO, 2 DOR, 1 DOT, 10vdc, 24vdc	0.2
CANopen Card	<b>CFW500-CCAN</b>	CFW500 Comm. Module; 1 CAN/DeviceNet, 1 RS485, 2 DI, 1 AI, 1 AO, 1 DOR, 1 DOT, 10vdc, 24vdc	0.2
Profibus DP & DP-V1 Module	<b>CFW500-CPDP2</b>	CFW500 Comm. Module; 1-Profibus DP & DP-V1 100BASE TX RJ-45 Port, 1-RS485, 2-DI, 1-AI, 1-AO, 1-DOR, 1-DOT, 24vdc (Terminal Block Connector)	0.2
Modbus TCP Comm. Module	<b>CFW500-CEMB-TCP</b>	CFW500 Comm. Module; 1-Modbus TCP 100BASE TX RJ-45 Port, 1-RS485, 2-DI, 1-AI, 1-AO, 1-DOR, 1-DOT, 24vdc	0.2
ProfiNet I/O Comm. Module	<b>CFW500-CEPN-IO</b>	CFW500 Comm. Module; 1-ProfiNet I/O 100BASE TX RJ-45 Port, 1-RS485, 2-DI, 1-AI, 1-AO, 1-DOR, 1-DOT, 24vdc	0.2
EtherNet IP Comm. Module	<b>CFW500-CETH-IP</b>	CFW500 Comm. Module; 2-DI, 1-AI, 1-AO, 1-DOR, 1-DOT, 1-RS485, 1-EtherNet IP 100BASE TX RJ-45 Port, 24vdc	0.2
STO Module	<b>CFW500-SFY2</b> <sup>2</sup>	CFW500 Safety Function Module; Safe Torque Off (STO) / Stop Category 0, Safe Stop 1 Time Controlled (SS1-t) / Stop Category 1; Safety Category: SIL 3, PL e	1.8
STO Module Plug	<b>CFW50X-STO-JMP</b>	CFW50x STO module plug	0.2
Flash Memory Module	<b>CFW500-MMF</b>	CFW500 Flash Memory Module for saving and reloading program and parameters to / from the drive.	0.2
Remote Keypad - Non Text	<b>CFW500-HMIR</b> <sup>3</sup>	CFW500 Remote non-text Keypad for mounting through enclosure door (Mounting Frame Kit is not required).	0.6
Remote Keypad - Advanced Text	<b>HMI-01</b> <sup>4</sup>	CFW500 Remote Advanced Text Keypad for mounting through enclosure door (Mounting Frame Kit is required).	0.4
Remote Keypad - Advanced Text Frame Kit	<b>CFW500-RHMIF</b>	CFW500 Remote Advanced Text Keypad enclosure door mounting frame kit	0.5
HMI Cable 1M	<b>CFW500-CCHMIR01M</b>	3.3 ft (1 meter) Remote Keypad Cable	0.5
HMI Cable 2M	<b>CFW500-CCHMIR02M</b>	6.6 ft (2 meter) Remote Keypad Cable	0.7
HMI Cable 3M	<b>CFW500-CCHMIR03M</b>	9.9 ft (3 meter) Remote Keypad Cable	1.0
HMI Cable 5M	<b>CFW500-CCHMIR05M</b>	16 ft (5 meter) Remote Keypad Cable	1.2
HMI Cable 7.5M	<b>CFW500-CCHMIR075M</b>	25 ft (7.5 meter) Remote Keypad Cable	1.5
HMI Cable 10M	<b>CFW500-CCHMIR010M</b>	33 ft (10 meter) Remote Keypad Cable	2.0

**Notes:**

1. CFW500-IOS Card is included as standard with CFW500-IP66 Drives.
2. The Safety Function Module can be installed in the CFW500-IP66 drives in addition to the IOS module / any other I/O module / communication module. This model only works with 230VAC and 460VAC drives.
3. The "CFW500-HMIR" Remote Keypad (Non-Text) requires Qty. (1) CFW500-CCHIR0xM cable. ("x" represents the cable length in meters).
4. The "HMI-01" remote Keypad (Advanced Text) requires Qty. (1) CFW500-RHMIF & Qty. (1) CFW500-CCHIR0xM cable. ("x" represents the cable length in meters). This keypad only works with 230VAC and 460VAC drives.

Please refer to back cover for description of "NOTES"

For detailed specifications, data sheets, drawings and performance curves visit <http://www.weg.net>

### CFW500 Technical Data

<b>Power Supply</b>	Voltage	Single phase or Three Phase	200-240 Vac (+10%, -15%)
		Three phase	380-480 Vac, 500-600 Vac (+10%, -15%)
	Frequency	50 / 60Hz +/- 2Hz	
<b>Enclosure</b>	Degree of Protection	NEMA 4X / IP66	
	Mounting	Indoor / Outdoor	
<b>Control</b>	Control Modes	Volts per Hertz (Scalar)	VVW: Voltage vector control
		Sensorless Voltage Vector	Vector control with encoder
	Power Output	Sinusoidal PWM (Space Vector Modulation)	
		IGBT Transistors	
	Switching Frequency	2.5kHz to 15kHz	
	Frequency Range	0-500 Hz, resolution of 0.015 Hz	
	Overload Capacity	150% for 60 seconds, repeatable every 10 min.	
<b>Inputs</b>	4 programmable isolated digital inputs, 24V DC, NPN (Active Low) or PNP (Active High)		
	1 programmable isolated analog input; programmable for current or voltage (0-10V, 4-20mA or 0-20mA)		
<b>Outputs</b>	1 programmable relay output: Form C (One NO & NC contact), 240 V / 0.5 A		
	1 programmable isolated open collector digital output (transistor Output); 24Vdc.		
	1 programmable isolated analog output; programmable for current or voltage (0-10V, 4-20mA or 0-20mA)		
<b>Power Supply</b>	24 Vdc, +/- 20%, Max. 150 mA		
	10 Vdc, Max. 2 mA		
<b>Communication</b>	Isolated RS485 (One Port)		
	Modbus-RTU with max. communication of 38.4 kbps		
<b>Safety</b>	Protections	Motor over current	DC link over voltage
		Motor overload	DC link under voltage
		Output phase-to-phase short circuit	Drive over temperature
		Output phase-to-ground short circuit	External fault
		Programming error	
<b>Ambient</b>	Temperature	14 - 104°F (-10 to 40°C), up to 122°F (50°C) with 2% / 1.8°F (1°C) output current derating.	
	Humidity	5-95% Non Condensing	
	Altitude	0-3300 ft (1000m), up to 13,200 ft (4000m) with 1% / 328ft (100 m) output current derating.	
<b>Regulatory Conformance</b>	Safety Standards	UL 508C, UL 840, IEN/EN 61800-5-1, EN 50178, IEC/EN 60204-1, IEC/EN 60146, IEC/EN 61800-2	
	Electromagnetic Compatibility (EMC)	IEC/EN 61800-3, CISPR 11, IEC/EN 61000-4-2/3/4/5/6.	
	Mechanical Construction	IEC/EN 60529, UL 50, IEC/EN 60721-3-3	
<b>Special Functions</b>	Linear and "S" ramp accel and decel, local/remote control, FWD/REV selection, DC braking, manual and auto torque boost, motor slip compensation, electronic pot, two skip frequencies, maximum and minimum adjustable frequency limits, adjustable output current, Dc bus regulation, Speed/Torque Control, PID		
<b>Keypad</b>	Three lines of Display (Main display, Secondary display & Bar display) displaying three parameters, LDC; 9 keys		
	Readouts for: output frequency (Hz), output current (A), output voltage (V), motor torque (%) in vector mode, DC bus voltage (V), value proportional to frequency (Ex.: RPM), heatsink temperature, fault and status messages		

VFDs and Enclosed Motor Controls

Please refer to back cover for description of "NOTES"

For detailed specifications, data sheets, drawings and performance curves visit <http://www.weg.net>

Data subject to change without notice.

Can't find what you are looking for? Call **1-800-ASK-4WEG** (275-4934)

## EDP11

The Enclosed VFD Panel is an industrial general purpose AC motor control and protection package. It is designed for simple and quick installation and start-up, requiring only input power and output motor connections. There are two enclosure variants available such as NEMA 12 ventilated and NEMA 3R for Outdoor Installations.

The Enclosed VFD Panel is built to complement the ruggedness and reliability of WEG motors, providing a complete, simple, and cost effective AC motor control, monitor and protection solution.

### NEMA 12 Features

- CFW11 Drive
- Indoor Rated
- Wall mounted
- Circuit Breaker with through door handle
- CFW11 VFD (Dual DC choke built-in)
- Fused 480V/120V CPT
- Internal Fan
- Heat sink through the back
- Motor Terminal Block
- Door mounted keypad
- Start / Stop Pushbuttons
- Run/Fault Pilot Lights
- Keypad cover - same as GPH2
- Drive and controls mounted in NEMA 4 section of panel; heat sink is external and rated NEMA 12

### NEMA 3R Features

- NEMA 12 features plus:
- Outdoor Rated
- ED1-ED4: non-ventilated and wall mounted
- ED5: non-ventilated and floor mounted
- ED6-ED9: ventilated and floor mounted
- Weather kit (rain/sun/snow shield)
- Panel space heater + thermostat
- Lightning arrestor
- Service entrance rated



### 3-Contactor Bypass Option

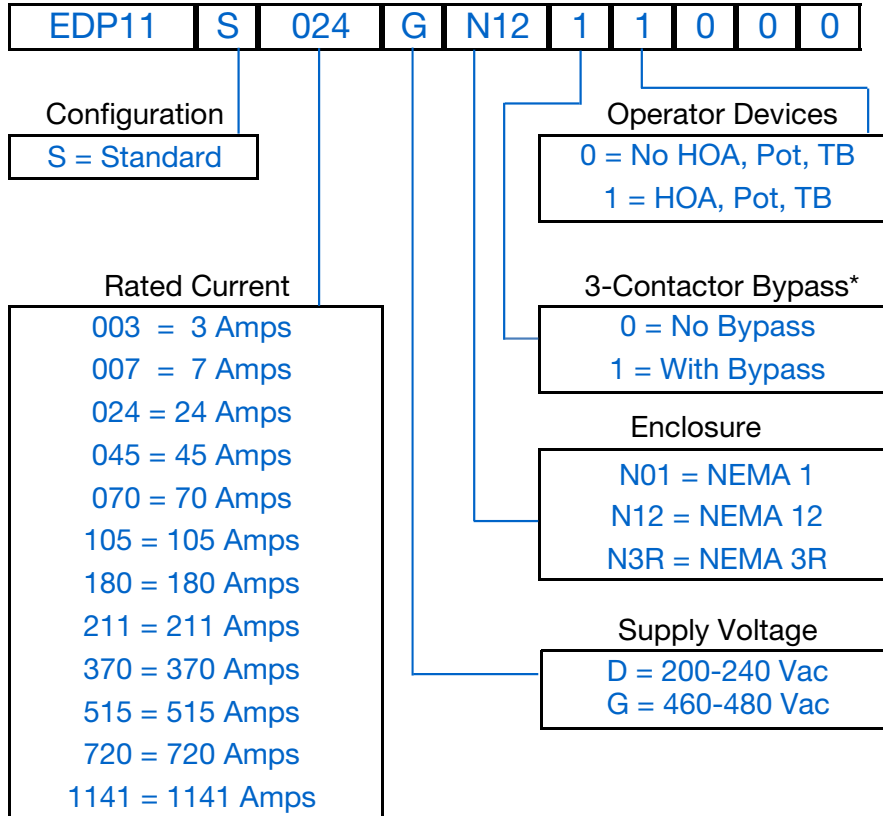
- NEMA 12 or NEMA 3R version
- AC3 full rated by-pass contactor
- Drive input and output contactors
- Motor overload relay
- E-Stop Mushroom style pushbutton
- Enclosure size to be determined

### HOA/POT/TB Option

- HOA = Hand-OFF-Auto
- POT = Potentiometer for speed reference of PID setpoint
- TB = Auxiliary control terminal block for remote command



### EDP11 Catalog Number Sequence



Please refer to back cover for description of "NOTES"

For detailed specifications, data sheets, drawings and performance curves visit <http://www.weg.net>

Data subject to change without notice.

# Enclosed Motor Controls



## EDP11 - ENGINEERED DRIVE PANEL

### Enclosed VFD Panel - NEMA 12 Enclosure (no By-Pass)

Motor Voltage	ND / VT <sup>1</sup>		HD / CT <sup>1</sup>		Catalog Number	Braking Transistor	Drive Frame Size	Enclosure Frame Size <sup>4</sup>	Dimensions (in.) HxWxD <sup>7</sup>	Approx. Weight (lbs.) <sup>7</sup>	List Price	Multiplier
	Motor HP <sup>2</sup>	Drive Amps <sup>3</sup>	Motor HP <sup>2</sup>	Drive Amps <sup>3</sup>								
230 Vac	Input Power Supply: Three-Phase 220-240 Vac											
	2	7.0	1 1/2	5.5	EDP11S007DN12	Yes	A	ED1	24 x 20 x 11.5	36	\$6,690	V1
	3	10	2	8.0	EDP11S010DN12	Yes	A	ED1	24 x 20 x 11.5	36	\$6,756	V1
	5	13	3	11	EDP11S013DN12	Yes	A	ED1	24 x 20 x 11.5	41	\$6,855	V1
	5	16	5	13	EDP11S016DN12	Yes	A	ED1	24 x 20 x 11.5	42	\$7,123	V1
	7 1/2	24	7 1/2	20	EDP11S024DN12	Yes	B	ED1	24 x 20 x 11.5	56	\$7,664	V1
	10	28	10	24	EDP11S028DN12	Yes	B	ED1	24 x 20 x 11.5	56	\$8,408	V1
	10	33.5	10	28	EDP11S033DN12	Yes	B	ED1	24 x 20 x 11.5	56	\$9,108	V1
	15	45	15	36	EDP11S045DN12	Yes	C	ED2	30 x 24 x 14	88	\$10,214	V1
	20	54	20	45	EDP11S054DN12	Yes	C	ED2	30 x 24 x 14	90	\$11,491	V1
	25	70	20	56	EDP11S070DN12	Yes	C	ED2	30 x 24 x 14	100	\$12,162	V1
	30	86	25	70	EDP11S086DN12	Yes	D	ED3	36 x 30 x 14	230	\$14,321	V1
	40	105	30	86	EDP11S105DN12	Yes	D	ED3	36 x 30 x 14	240	\$17,164	V1
	50	142	40	115	EDP11S142DN12	No	E <sup>5</sup>	ED4	48 x 30 x 17.5	300	\$19,793	V1
	60	180	50	142	EDP11S180DN12	No	E <sup>5</sup>	ED4	48 x 30 x 17.5	300	\$25,116	V1
75	211	60	180	EDP11S211DN12	No	E <sup>5</sup>	ED4	48 x 30 x 17.5	300	\$28,326	V1	
460 Vac	Input Power Supply: Three-Phase 460-480 Vac											
	2	3.6	2	3.6	EDP11S003GN12	Yes	A	ED1	24 x 20 x 11.5	36	\$6,510	V1
	3	5.0	3	5.0	EDP11S005GN12	Yes	A	ED1	24 x 20 x 11.5	36	\$6,626	V1
	5	7.0	3	5.5	EDP11S007GN12	Yes	A	ED1	24 x 20 x 11.5	41	\$6,690	V1
	7 1/2	10	5	10	EDP11S010GN12	Yes	A	ED1	24 x 20 x 11.5	42	\$6,756	V1
	10	13.5	7 1/2	11	EDP11S013GN12	Yes	A	ED1	24 x 20 x 11.5	42	\$6,855	V1
	10	17	10	13.5	EDP11S017GN12	Yes	B	ED1	24 x 20 x 11.5	56	\$7,269	V1
	15	24	10	19	EDP11S024GN12	Yes	B	ED1	24 x 20 x 11.5	56	\$7,821	V1
	20	31	15	25	EDP11S031GN12	Yes	B	ED1	24 x 20 x 11.5	56	\$8,580	V1
	25	38	20	33	EDP11S038GN12	Yes	C	ED2	30 x 24 x 14	90	\$9,293	V1
	30	45	25	38	EDP11S045GN12	Yes	C	ED2	30 x 24 x 14	104	\$10,422	V1
	40	58.5	30	47	EDP11S058GN12	Yes	C	ED2	30 x 24 x 14	110	\$12,026	V1
	50/60	70.5	40	61	EDP11S070GN12	Yes	D	ED3	36 x 30 x 14	240	\$12,729	V1
	75	88	50	73	EDP11S088GN12	Yes	D	ED3	36 x 30 x 14	245	\$14,988	V1
	75	105	75	88	EDP11S105GN12	No	E <sup>5</sup>	ED4	48 x 30 x 17.5	300	\$17,964	V1
	100/125	142	75	115	EDP11S142GN12	No	E <sup>5</sup>	ED4	48 x 30 x 17.5	300	\$20,715	V1
	150	180	100	142	EDP11S180GN12	No	E <sup>5</sup>	ED4	48 x 30 x 17.5	300	\$26,286	V1
	175	211	125	180	EDP11S211GN12	No	E <sup>5</sup>	ED4	48 x 30 x 17.5	300	\$29,645	V1
	200	242	150	211	EDP11S242GN12	No	F <sup>5</sup>	ED6	83 x 32 x 37	700	\$40,755	V1
	250	312	200	242	EDP11S312GN12	No	F <sup>5</sup>	ED6	83 x 32 x 37	720	\$45,114	V1
300	370	250	312	EDP11S370GN12	No	F <sup>5</sup>	ED6	83 x 32 x 37	750	\$47,743	V1	
400	477	300	370	EDP11S477GN12	No	F <sup>5</sup>	ED6	83 x 32 x 37	775	\$54,585	V1	
450	515	400	477	EDP11S515GN12	No	G <sup>5</sup>	ED8	83 x 56 x 37	1100	\$66,023	V1	
500	601	450	515	EDP11S601GN12	No	G <sup>5</sup>	ED8	83 x 56 x 37	1120	\$71,875	V1	
600	720	500	560	EDP11S720GN12	No	G <sup>6</sup>	ED8	83 x 56 x 37	1150	\$88,556	V1	

**Notes:**

- 1) CT = Constant Torque, 150% overload / 60 sec.; VT = Variable Torque (Quadratic Load), 110% overload / 60 sec.
- 2) "HP" rating based on "average FLA values". Use as a guide only.
- 3) Motor FLA may vary with speed and manufacturer. ALWAYS compare motor FLA to Nominal AMPS of drive.
- 4) ED1 - ED5 enclosures are non-ventilated and wall-mounted; ED6 - ED9 enclosures are ventilated and floor mounted.
- 5) Maximum 45°C ambient temperature without derating
- 6) Maximum 40°C ambient temperature without derating
- 7) Dimensions and weights are for estimating purposes only. Only use "AS BUILT" drawings for construction. For other technical data please refer to WEG product manual.

Please refer to back cover for description of "NOTES"

For detailed specifications, data sheets, drawings and performance curves visit <http://www.weg.net>

VFDs and Enclosed Motor Controls



### Enclosed VFD Panel - NEMA 12 Enclosure with By-Pass

Motor Voltage	ND / VT <sup>1</sup>		HD / CT <sup>1</sup>		Catalog Number	Braking Transistor	Drive Frame Size	Enclosure Frame Size <sup>4</sup>	Dimensions (in.) HxWxD <sup>7</sup>	Approx. Weight (lbs.) <sup>7</sup>	List Price	Multiplier
	Motor HP <sup>2</sup>	Drive Amps <sup>3</sup>	Motor HP <sup>2</sup>	Drive Amps <sup>3</sup>								
230 Vac	<b>Input Power Supply: Three-Phase 220-240 Vac</b>											
	2	7.0	1 1/2	5.5	EDP11S007DN1210000	Yes	A	ED2	30 x 24 x 14	36	\$8,200	V1
	3	10	2	8.0	EDP11S010DN1210000	Yes	A	ED2	30 x 24 x 14	36	\$8,276	V1
	5	13	3	11	EDP11S013DN1210000	Yes	A	ED2	30 x 24 x 14	41	\$8,375	V1
	5	16	5	13	EDP11S016DN1210000	Yes	A	ED2	30 x 24 x 14	42	\$8,643	V1
	7 1/2	24	7 1/2	20	EDP11S024DN1210000	Yes	B	ED2	30 x 24 x 14	56	\$9,262	V1
	10	28	10	24	EDP11S028DN1210000	Yes	B	ED2	30 x 24 x 14	56	\$10,200	V1
	10	33.5	10	28	EDP11S033DN1210000	Yes	B	ED2	30 x 24 x 14	56	\$11,011	V1
	15	45	15	36	EDP11S045DN1210000	Yes	C	ED3	36 x 30 x 14	88	\$12,316	V1
	20	54	20	45	EDP11S054DN1210000	Yes	C	ED3	36 x 30 x 14	90	\$13,738	V1
	25	70	20	56	EDP11S070DN1210000	Yes	C	ED3	36 x 30 x 14	100	\$14,857	V1
	30	86	25	70	EDP11S086DN1210000	Yes	D	ED4	48 x 30 x 17.5	230	\$17,016	V1
	40	105	30	86	EDP11S105DN1210000	Yes	D	ED4	48 x 30 x 17.5	240	\$20,052	V1
	50	142	40	115	EDP11S142DN1210000	No	E <sup>5</sup>	ED5	72 x 36 x 18	300	\$24,778	V1
	60	180	50	142	EDP11S180DN1210000	No	E <sup>5</sup>	ED5	72 x 36 x 18	300	\$31,111	V1
75	211	60	180	EDP11S211DN1210000	No	E <sup>5</sup>	ED5	72 x 36 x 18	300	\$35,651	V1	
460 Vac	<b>Input Power Supply: Three-Phase 460-480 Vac</b>											
	2	3.6	2	3.6	EDP11S003GN1210000	Yes	A	ED2	30 x 24 x 14	36	\$8,020	V1
	3	5.0	3	5.0	EDP11S005GN1210000	Yes	A	ED2	30 x 24 x 14	36	\$8,136	V1
	5	7.0	3	5.5	EDP11S007GN1210000	Yes	A	ED2	30 x 24 x 14	41	\$8,200	V1
	7 1/2	10	5	10	EDP11S010GN1210000	Yes	A	ED2	30 x 24 x 14	42	\$8,276	V1
	10	13.5	7 1/2	11	EDP11S013GN1210000	Yes	A	ED2	30 x 24 x 14	42	\$8,375	V1
	10	17	10	13.5	EDP11S017GN1210000	Yes	B	ED2	30 x 24 x 14	56	\$8,867	V1
	15	24	10	19	EDP11S024GN1210000	Yes	B	ED2	30 x 24 x 14	56	\$9,613	V1
	20	31	15	25	EDP11S031GN1210000	Yes	B	ED2	30 x 24 x 14	56	\$10,483	V1
	25	38	20	33	EDP11S038GN1210000	Yes	C	ED3	36 x 30 x 14	90	\$11,395	V1
	30	45	25	38	EDP11S045GN1210000	Yes	C	ED3	36 x 30 x 14	104	\$12,669	V1
	40	58.5	30	47	EDP11S058GN1210000	Yes	C	ED3	36 x 30 x 14	110	\$14,721	V1
	50/60	70.5	40	61	EDP11S070GN1210000	Yes	D	ED4	48 x 30 x 17.5	240	\$15,424	V1
	75	88	50	73	EDP11S088GN1210000	Yes	D	ED4	48 x 30 x 17.5	245	\$17,876	V1
	75	105	75	88	EDP11S105GN1210000	No	E <sup>5</sup>	ED5	72 x 36 x 18	300	\$21,308	V1
	100/125	142	75	115	EDP11S142GN1210000	No	E <sup>5</sup>	ED5	72 x 36 x 18	300	\$25,700	V1
	150	180	100	142	EDP11S180GN1210000	No	E <sup>5</sup>	ED5	72 x 36 x 18	300	\$32,281	V1
	175	211	125	180	EDP11S211GN1210000	No	E <sup>5</sup>	ED5	72 x 36 x 18	300	\$36,970	V1
	200	242	150	211	EDP11S242GN1210000	No	F <sup>5</sup>	ED7	83 x 64 x 37	700	\$53,334	V1
	250	312	200	242	EDP11S312GN1210000	No	F <sup>5</sup>	ED7	83 x 64 x 37	720	\$59,257	V1
	300	370	250	312	EDP11S370GN1210000	No	F <sup>5</sup>	ED7	83 x 64 x 37	750	\$62,146	V1
400	477	300	370	EDP11S477GN1210000	No	F <sup>5</sup>	ED7	83 x 64 x 37	775	\$76,618	V1	
450	515	400	477	EDP11S515GN1210000	No	G <sup>5</sup>	ED9	83 x 95 x 37	1100	\$88,056	V1	
500	601	450	515	EDP11S601GN1210000	No	G <sup>5</sup>	ED9	83 x 95 x 37	1120	\$99,447	V1	
600	720	500	560	EDP11S720GN1210000	No	G <sup>6</sup>	ED9	83 x 95 x 37	1150	\$119,944	V1	

**Notes:**

- 1) CT = Constant Torque, 150% overload / 60 sec.; VT = Variable Torque (Quadratic Load), 110% overload / 60 sec.
- 2) "HP" rating based on "average FLA values". Use as a guide only.
- 3) Motor FLA may vary with speed and manufacturer. ALWAYS compare motor FLA to Nominal AMPS of drive.
- 4) ED1 - ED5 enclosures are non-ventilated and wall-mounted; ED6 - ED9 enclosures are ventilated and floor mounted.
- 5) Maximum 45°C ambient temperature without derating
- 6) Maximum 40°C ambient temperature without derating
- 7) Dimensions and weights are for estimating purposes only. Only use "AS BUILT" drawings for construction.

For other technical data, please refer to WEG product manual. Please refer to back cover for description of NOTES

For detailed specifications, data sheets, drawings and performance curves visit <http://www.weg.net>

## EDP11 - ENGINEERED DRIVE PANEL

### Enclosed VFD Panel - NEMA 12 Enclosure (no By-Pass) with HOA / Pot / TB

Motor Voltage	ND / VT <sup>1</sup>		HD / CT <sup>1</sup>		Catalog Number	Braking Transistor	Drive Frame Size	Enclosure Frame Size <sup>4</sup>	Dimensions (in.) HxWxD <sup>7</sup>	Approx. Weight (lbs.) <sup>7</sup>	List Price	Multiplier
	Motor HP <sup>2</sup>	Drive Amps <sup>3</sup>	Motor HP <sup>2</sup>	Drive Amps <sup>3</sup>								
230 Vac	Input Power Supply: Three-Phase 220-240 Vac											
	2	7.0	1 1/2	5.5	EDP11S007DN1201000	Yes	A	ED1	30 x 24 x 14	36	\$7,453	V1
	3	10	2	8.0	EDP11S010DN1201000	Yes	A	ED1	30 x 24 x 14	36	\$7,519	V1
	5	13	3	11	EDP11S013DN1201000	Yes	A	ED1	30 x 24 x 14	41	\$7,618	V1
	5	16	5	13	EDP11S016DN1201000	Yes	A	ED1	30 x 24 x 14	42	\$7,886	V1
	7 1/2	24	7 1/2	20	EDP11S024DN1201000	Yes	B	ED1	30 x 24 x 14	56	\$8,427	V1
	10	28	10	24	EDP11S028DN1201000	Yes	B	ED1	30 x 24 x 14	56	\$9,171	V1
	10	33.5	10	28	EDP11S033DN1201000	Yes	B	ED1	30 x 24 x 14	56	\$9,871	V1
	15	45	15	36	EDP11S045DN1201000	Yes	C	ED2	36 x 30 x 14	88	\$10,977	V1
	20	54	20	45	EDP11S054DN1201000	Yes	C	ED2	36 x 30 x 14	90	\$12,254	V1
	25	70	20	56	EDP11S070DN1201000	Yes	C	ED2	36 x 30 x 14	100	\$12,925	V1
	30	86	25	70	EDP11S086DN1201000	Yes	D	ED3	48 x 30 x 17.5	230	\$15,084	V1
	40	105	30	86	EDP11S105DN1201000	Yes	D	ED3	48 x 30 x 17.5	240	\$17,927	V1
	50	142	40	115	EDP11S142DN1201000	No	E <sup>5</sup>	ED4	72 x 36 x 18	300	\$20,556	V1
	60	180	50	142	EDP11S180DN1201000	No	E <sup>5</sup>	ED4	72 x 36 x 18	300	\$25,879	V1
75	211	60	180	EDP11S211DN1201000	No	E <sup>5</sup>	ED4	72 x 36 x 18	300	\$29,089	V1	
460 Vac	Input Power Supply: Three-Phase 460-480 Vac											
	2	3.6	2	3.6	EDP11S003GN1201000	Yes	A	ED1	30 x 24 x 14	36	\$7,273	V1
	3	5.0	3	5.0	EDP11S005GN1201000	Yes	A	ED1	30 x 24 x 14	36	\$7,389	V1
	5	7.0	3	5.5	EDP11S007GN1201000	Yes	A	ED1	30 x 24 x 14	41	\$7,453	V1
	7 1/2	10	5	10	EDP11S010GN1201000	Yes	A	ED1	30 x 24 x 14	42	\$7,519	V1
	10	13.5	7 1/2	11	EDP11S013GN1201000	Yes	A	ED1	30 x 24 x 14	42	\$7,618	V1
	10	17	10	13.5	EDP11S017GN1201000	Yes	B	ED1	30 x 24 x 14	56	\$8,032	V1
	15	24	10	19	EDP11S024GN1201000	Yes	B	ED1	30 x 24 x 14	56	\$8,584	V1
	20	31	15	25	EDP11S031GN1201000	Yes	B	ED1	30 x 24 x 14	56	\$9,343	V1
	25	38	20	33	EDP11S038GN1201000	Yes	C	ED2	36 x 30 x 14	90	\$10,056	V1
	30	45	25	38	EDP11S045GN1201000	Yes	C	ED2	36 x 30 x 14	104	\$11,185	V1
	40	58.5	30	47	EDP11S058GN1201000	Yes	C	ED2	36 x 30 x 14	110	\$12,789	V1
	50/60	70.5	40	61	EDP11S070GN1201000	Yes	D	ED3	48 x 30 x 17.5	240	\$13,492	V1
	75	88	50	73	EDP11S088GN1201000	Yes	D	ED3	48 x 30 x 17.5	245	\$15,751	V1
	75	105	75	88	EDP11S105GN1201000	No	E <sup>5</sup>	ED4	48 x 30 x 17.5	300	\$18,727	V1
	100/125	142	75	115	EDP11S142GN1201000	No	E <sup>5</sup>	ED4	48 x 30 x 17.5	300	\$21,478	V1
	150	180	100	142	EDP11S180GN1201000	No	E <sup>5</sup>	ED4	48 x 30 x 17.5	300	\$27,049	V1
	175	211	125	180	EDP11S211GN1201000	No	E <sup>5</sup>	ED4	48 x 30 x 17.5	300	\$30,408	V1
	200	242	150	211	EDP11S242GN1201000	No	F <sup>5</sup>	ED6	83 x 64 x 37	700	\$41,613	V1
	250	312	200	242	EDP11S312GN1201000	No	F <sup>5</sup>	ED6	83 x 64 x 37	720	\$45,972	V1
	300	370	250	312	EDP11S370GN1201000	No	F <sup>5</sup>	ED6	83 x 64 x 37	750	\$48,601	V1
400	477	300	370	EDP11S477GN1201000	No	F <sup>5</sup>	ED6	83 x 64 x 37	775	\$55,443	V1	
450	515	400	477	EDP11S515GN1201000	No	G <sup>5</sup>	ED8	83 x 95 x 37	1100	\$66,881	V1	
500	601	450	515	EDP11S601GN1201000	No	G <sup>5</sup>	ED8	83 x 95 x 37	1120	\$72,733	V1	
600	720	500	560	EDP11S720GN1201000	No	G <sup>6</sup>	ED8	83 x 95 x 37	1150	\$89,414	V1	

Notes:

- 1) CT = Constant Torque, 150% overload / 60 sec.; VT = Variable Torque (Quadratic Load), 110% overload / 60 sec.
- 2) "HP" rating based on "average FLA values". Use as a guide only.
- 3) Motor FLA may vary with speed and manufacturer. ALWAYS compare motor FLA to Nominal AMPS of drive.
- 4) ED1 - ED5 enclosures are non-ventilated and wall-mounted; ED6 - ED9 enclosures are ventilated and floor mounted.
- 5) Maximum 45°C ambient temperature without derating
- 6) Maximum 40°C ambient temperature without derating
- 7) Dimensions and weights are for estimating purposes only. Only use "AS BUILT" drawings for construction. For other technical data please refer to WEG product manual.

Please refer to back cover for description of "NOTES"

For detailed specifications, data sheets, drawings and performance curves visit <http://www.weg.net>

VFD's and Enclosed Motor Controls





### Enclosed VFD Panel - NEMA 12 Enclosure with By-Pass and HOA / Pot / TB

Motor Voltage	ND / VT1		HD / CT1		Catalog Number	Braking Transistor	Drive Frame Size	Enclosure Frame Size <sup>4</sup>	Dimensions (in.) HxWxD <sup>7</sup>	Approx. Weight (lbs.) <sup>7</sup>	List Price	Multiplier
	Motor HP <sup>2</sup>	Drive Amps <sup>3</sup>	Motor HP <sup>2</sup>	Drive Amps <sup>3</sup>								
230 Vac	Input Power Supply: Three-Phase 220-240 Vac											
	2	7.0	1 1/2	5.5	EDP11S007DN1211000	Yes	A	ED2	30 x 24 x 14	36	\$8,963	V1
	3	10	2	8.0	EDP11S010DN1211000	Yes	A	ED2	30 x 24 x 14	36	\$9,039	V1
	5	13	3	11	EDP11S013DN1211000	Yes	A	ED2	30 x 24 x 14	41	\$9,138	V1
	5	16	5	13	EDP11S016DN1211000	Yes	A	ED2	30 x 24 x 14	42	\$9,406	V1
	7 1/2	24	7 1/2	20	EDP11S024DN1211000	Yes	B	ED2	30 x 24 x 14	56	\$10,025	V1
	10	28	10	24	EDP11S028DN1211000	Yes	B	ED2	30 x 24 x 14	56	\$10,963	V1
	10	33.5	10	28	EDP11S033DN1211000	Yes	B	ED2	30 x 24 x 14	56	\$11,774	V1
	15	45	15	36	EDP11S045DN1211000	Yes	C	ED3	36 x 30 x 14	88	\$13,079	V1
	20	54	20	45	EDP11S054DN1211000	Yes	C	ED3	36 x 30 x 14	90	\$14,501	V1
	25	70	20	56	EDP11S070DN1211000	Yes	C	ED3	36 x 30 x 14	100	\$15,620	V1
	30	86	25	70	EDP11S086DN1211000	Yes	D	ED4	48 x 30 x 17.5	230	\$17,779	V1
	40	105	30	86	EDP11S105DN1211000	Yes	D	ED4	48 x 30 x 17.5	240	\$20,815	V1
	50	142	40	115	EDP11S142DN1211000	No	E <sup>5</sup>	ED5	72 x 36 x 18	300	\$25,541	V1
	60	180	50	142	EDP11S180DN1211000	No	E <sup>5</sup>	ED5	72 x 36 x 18	300	\$31,874	V1
75	211	60	180	EDP11S211DN1211000	No	E <sup>5</sup>	ED5	72 x 36 x 18	300	\$36,414	V1	
460 Vac	Input Power Supply: Three-Phase 460-480 Vac											
	2	3.6	2	3.6	EDP11S003GN1211000	Yes	A	ED2	30 x 24 x 14	36	\$8,783	V1
	3	5.0	3	5.0	EDP11S005GN1211000	Yes	A	ED2	30 x 24 x 14	36	\$8,899	V1
	5	7.0	3	5.5	EDP11S007GN1211000	Yes	A	ED2	30 x 24 x 14	41	\$8,963	V1
	7 1/2	10	5	10	EDP11S010GN1211000	Yes	A	ED2	30 x 24 x 14	42	\$9,039	V1
	10	13.5	7 1/2	11	EDP11S013GN1211000	Yes	A	ED2	30 x 24 x 14	42	\$9,138	V1
	10	17	10	13.5	EDP11S017GN1211000	Yes	B	ED2	30 x 24 x 14	56	\$9,630	V1
	15	24	10	19	EDP11S024GN1211000	Yes	B	ED2	30 x 24 x 14	56	\$10,376	V1
	20	31	15	25	EDP11S031GN1211000	Yes	B	ED2	30 x 24 x 14	56	\$11,246	V1
	25	38	20	33	EDP11S038GN1211000	Yes	C	ED3	36 x 30 x 14	90	\$12,158	V1
	30	45	25	38	EDP11S045GN1211000	Yes	C	ED3	36 x 30 x 14	104	\$13,432	V1
	40	58.5	30	47	EDP11S058GN1211000	Yes	C	ED3	36 x 30 x 14	110	\$15,484	V1
	50/60	70.5	40	61	EDP11S070GN1211000	Yes	D	ED4	48 x 30 x 17.5	240	\$16,187	V1
	75	88	50	73	EDP11S088GN1211000	Yes	D	ED4	48 x 30 x 17.5	245	\$18,639	V1
	75	105	75	88	EDP11S105GN1211000	No	E <sup>5</sup>	ED5	72 x 36 x 18	300	\$22,071	V1
	100/125	142	75	115	EDP11S142GN1211000	No	E <sup>5</sup>	ED5	72 x 36 x 18	300	\$26,463	V1
	150	180	100	142	EDP11S180GN1211000	No	E <sup>5</sup>	ED5	72 x 36 x 18	300	\$33,044	V1
	175	211	125	180	EDP11S211GN1211000	No	E <sup>5</sup>	ED5	72 x 36 x 18	300	\$37,733	V1
	200	242	150	211	EDP11S242GN1211000	No	F <sup>5</sup>	ED7	83 x 64 x 37	700	\$54,097	V1
	250	312	200	242	EDP11S312GN1211000	No	F <sup>5</sup>	ED7	83 x 64 x 37	720	\$60,115	V1
300	370	250	312	EDP11S370GN1211000	No	F <sup>5</sup>	ED7	83 x 64 x 37	750	\$63,004	V1	
400	477	300	370	EDP11S477GN1211000	No	F <sup>5</sup>	ED7	83 x 64 x 37	775	\$77,476	V1	
450	515	400	477	EDP11S515GN1211000	No	G <sup>5</sup>	ED9	83 x 95 x 37	1100	\$88,914	V1	
500	601	450	515	EDP11S601GN1211000	No	G <sup>5</sup>	ED9	83 x 95 x 37	1120	\$100,305	V1	
600	720	500	560	EDP11S720GN1211000	No	G <sup>6</sup>	ED9	83 x 95 x 37	1150	\$120,802	V1	

VFDs and Enclosed Motor Controls

Notes:  
 1) CT = Constant Torque, 150% overload / 60 sec.; VT = Variable Torque (Quadratic Load), 110% overload / 60 sec.  
 2) "HP" rating based on "average FLA values". Use as a guide only.  
 3) Motor FLA may vary with speed and manufacturer. ALWAYS compare motor FLA to Nominal AMPS of drive.

4) ED1 - ED5 enclosures are non-ventilated and wall-mounted; ED6 - ED9 enclosures are ventilated and floor mounted.  
 5) Maximum 45°C ambient temperature without derating  
 6) Maximum 40°C ambient temperature without derating  
 7) Dimensions and weights are for estimating purposes only. Only use "AS BUILT" drawings for construction.  
 For other technical data please refer to WEG product manual.

Please refer to back cover for description of "NOTES"

For detailed specifications, data sheets, drawings and performance curves visit <http://www.weg.net>

## EDP11 - ENGINEERED DRIVE PANEL

### Enclosed VFD Panel - NEMA 3R Enclosure (no By-Pass)

Motor Voltage	ND / VT <sup>1</sup>		HD / CT <sup>1</sup>		Catalog Number	Braking Transistor	Drive Frame Size	Enclosure Frame Size <sup>4</sup>	Dimensions (in.) HxWxD <sup>7</sup>	Approx. Weight (lbs.) <sup>7</sup>	List Price	Multiplier
	Motor HP <sup>2</sup>	Drive Amps <sup>3</sup>	Motor HP <sup>2</sup>	Drive Amps <sup>3</sup>								
230 Vac	Input Power Supply: Three-Phase 220-240 Vac											
	2	7.0	1 1/2	5.5	EDP11S007DN3R	Yes	A <sup>5</sup>	ED1	26.5 x 20 x 11.5	36	\$8,521	V1
	3	10	2	8.0	EDP11S010DN3R	Yes	A <sup>5</sup>	ED1	26.5 x 20 x 11.5	36	\$8,587	V1
	5	13	3	11	EDP11S013DN3R	Yes	A <sup>5</sup>	ED1	26.5 x 20 x 11.5	41	\$8,686	V1
	5	16	5	13	EDP11S016DN3R	Yes	A <sup>5</sup>	ED1	26.5 x 20 x 11.5	42	\$8,918	V1
	7 1/2	24	7 1/2	20	EDP11S024DN3R	Yes	B <sup>5</sup>	ED1	26.5 x 20 x 11.5	56	\$9,459	V1
	10	28	10	24	EDP11S028DN3R	Yes	B <sup>5</sup>	ED1	26.5 x 20 x 11.5	56	\$10,202	V1
	10	33.5	10	28	EDP11S033DN3R	Yes	B <sup>5</sup>	ED1	26.5 x 20 x 11.5	56	\$10,902	V1
	15	45	15	36	EDP11S045DN3R	Yes	C <sup>5</sup>	ED2	32.5 x 24 x 14	88	\$12,122	V1
	20	54	20	45	EDP11S054DN3R	Yes	C <sup>5</sup>	ED2	32.5 x 24 x 14	90	\$13,400	V1
	25	70	20	56	EDP11S070DN3R	Yes	C <sup>5</sup>	ED2	32.5 x 24 x 14	100	\$14,162	V1
	30	86	25	70	EDP11S086DN3R	Yes	D <sup>5</sup>	ED3	38.5 x 30 x 14	230	\$16,320	V1
	40	105	30	86	EDP11S105DN3R	Yes	D <sup>5</sup>	ED3	38.5 x 30 x 14	240	\$19,338	V1
	50	142	40	115	EDP11S142DN3R	No	E <sup>6</sup>	ED4	50.5 x 30 x 17.5	300	\$21,967	V1
	60	180	50	142	EDP11S180DN3R	No	E <sup>6</sup>	ED4	50.5 x 30 x 17.5	300	\$27,290	V1
75	211	60	180	EDP11S211DN3R	No	E <sup>6</sup>	ED4	50.5 x 30 x 17.5	300	\$30,499	V1	
460 Vac	Input Power Supply: Three-Phase 460-480 Vac											
	2	3.6	2	3.6	EDP11S003GN3R	Yes	A <sup>5</sup>	ED1	26.5 x 20 x 11.5	36	\$8,341	V1
	3	5.0	3	5.0	EDP11S005GN3R	Yes	A <sup>5</sup>	ED1	26.5 x 20 x 11.5	36	\$8,457	V1
	5	7.0	3	5.5	EDP11S007GN3R	Yes	A <sup>5</sup>	ED1	26.5 x 20 x 11.5	41	\$8,521	V1
	7 1/2	10	5	10	EDP11S010GN3R	Yes	A <sup>5</sup>	ED1	26.5 x 20 x 11.5	42	\$8,587	V1
	10	13.5	7 1/2	11	EDP11S013GN3R	Yes	A <sup>5</sup>	ED1	26.5 x 20 x 11.5	42	\$8,686	V1
	10	17	10	13.5	EDP11S017GN3R	Yes	B <sup>5</sup>	ED1	26.5 x 20 x 11.5	56	\$9,100	V1
	15	24	10	19	EDP11S024GN3R	Yes	B <sup>5</sup>	ED1	26.5 x 20 x 11.5	56	\$9,652	V1
	20	31	15	25	EDP11S031GN3R	Yes	B <sup>5</sup>	ED1	26.5 x 20 x 11.5	56	\$10,411	V1
	25	38	20	33	EDP11S038GN3R	Yes	C <sup>5</sup>	ED2	32.5 x 24 x 14	90	\$11,125	V1
	30	45	25	38	EDP11S045GN3R	Yes	C <sup>5</sup>	ED2	32.5 x 24 x 14	104	\$12,369	V1
	40	58.5	30	47	EDP11S058GN3R	Yes	C <sup>5</sup>	ED2	32.5 x 24 x 14	110	\$13,673	V1
	50/60	70.5	40	61	EDP11S070GN3R	Yes	D <sup>5</sup>	ED3	38.5 x 30 x 14	240	\$14,451	V1
	75	88	50	73	EDP11S088GN3R	Yes	D <sup>5</sup>	ED3	38.5 x 30 x 14	245	\$16,653	V1
	75	105	75	88	EDP11S105GN3R	No	E <sup>6</sup>	ED4	50.5 x 30 x 17.5	300	\$19,733	V1
	100/125	142	75	115	EDP11S142GN3R	No	E <sup>6</sup>	ED4	50.5 x 30 x 17.5	300	\$22,415	V1
	150	180	100	142	EDP11S180GN3R	No	E <sup>6</sup>	ED4	50.5 x 30 x 17.5	300	\$27,847	V1
	175	211	125	180	EDP11S211GN3R	No	E <sup>6</sup>	ED4	50.5 x 30 x 17.5	300	\$31,122	V1
	200	242	150	211	EDP11S242GN3R	No	F <sup>6</sup>	ED6	83 x 32 x 41	700	\$45,693	V1
	250	312	200	242	EDP11S312GN3R	No	F <sup>6</sup>	ED6	83 x 32 x 41	720	\$50,053	V1
	300	370	250	312	EDP11S370GN3R	No	F <sup>6</sup>	ED6	83 x 32 x 41	750	\$52,682	V1
400	477	300	370	EDP11S477GN3R	No	F <sup>6</sup>	ED6	83 x 32 x 41	775	\$59,523	V1	
450	515	400	477	EDP11S515GN3R	No	G <sup>6</sup>	ED8	83 x 56 x 37	1100	\$71,976	V1	
500	601	450	515	EDP11S601GN3R	No	G <sup>6</sup>	ED8	83 x 56 x 37	1120	\$77,828	V1	
600	720	500	560	EDP11S720GN3R	No	G <sup>7</sup>	ED8	83 x 56 x 37	1150	\$94,509	V1	

**Notes:**

- 1) CT = Constant Torque, 150% overload / 60 sec.; VT = Variable Torque (Quadratic Load), 110% overload / 60 sec.
- 2) "HP" rating based on "average FLA values". Use as a guide only.
- 3) Motor FLA may vary with speed and manufacturer. ALWAYS compare motor FLA to Nominal AMPS of drive.
- 4) ED1 - ED4 enclosures are non-ventilated and wall-mounted; ED6 - ED9 enclosures are ventilated and floor mounted.
- 5) Maximum 45°C ambient temperature without derating
- 6) Maximum 40°C ambient temperature without derating
- 7) Maximum 38°C ambient temperature without derating
- 8) Dimensions and weights are for estimating purposes only. Only use "AS BUILT" drawings for construction. For other technical data please refer to WEG product manual.

Please refer to back cover for description of "NOTES"

For detailed specifications, data sheets, drawings and performance curves visit <http://www.weg.net>



### Enclosed VFD Panel - NEMA 3R Enclosure with By-Pass

Motor Voltage	ND / VT <sup>1</sup>		HD / CT <sup>1</sup>		Catalog Number	Braking Transistor	Drive Frame Size	Enclosure Frame Size <sup>4</sup>	Dimensions (in.) HxWxD <sup>7</sup>	Approx. Weight (lbs.) <sup>7</sup>	List Price	Multiplier
	Motor HP <sup>2</sup>	Drive Amps <sup>3</sup>	Motor HP <sup>2</sup>	Drive Amps <sup>3</sup>								
<b>Input Power Supply: Three-Phase 220-240 Vac</b>												
230 Vac	2	7.0	1 1/2	5.5	EDP11S007DN3R10000	Yes	A <sup>5</sup>	ED2	26.5 x 20 x 11.5	36	\$10,031	V1
	3	10	2	8.0	EDP11S010DN3R10000	Yes	A <sup>5</sup>	ED2	26.5 x 20 x 11.5	36	\$10,107	V1
	5	13	3	11	EDP11S013DN3R10000	Yes	A <sup>5</sup>	ED2	26.5 x 20 x 11.5	41	\$10,206	V1
	5	16	5	13	EDP11S016DN3R10000	Yes	A <sup>5</sup>	ED2	26.5 x 20 x 11.5	42	\$10,438	V1
	7 1/2	24	7 1/2	20	EDP11S024DN3R10000	Yes	B <sup>5</sup>	ED2	26.5 x 20 x 11.5	56	\$11,057	V1
	10	28	10	24	EDP11S028DN3R10000	Yes	B <sup>5</sup>	ED2	26.5 x 20 x 11.5	56	\$11,994	V1
	10	33.5	10	28	EDP11S033DN3R10000	Yes	B <sup>5</sup>	ED2	26.5 x 20 x 11.5	56	\$12,805	V1
	15	45	15	36	EDP11S045DN3R10000	Yes	C <sup>5</sup>	ED3	32.5 x 24 x 14	88	\$14,224	V1
	20	54	20	45	EDP11S054DN3R10000	Yes	C <sup>5</sup>	ED3	32.5 x 24 x 14	90	\$15,647	V1
	25	70	20	56	EDP11S070DN3R10000	Yes	C <sup>5</sup>	ED3	32.5 x 24 x 14	100	\$16,857	V1
	30	86	25	70	EDP11S086DN3R10000	Yes	D <sup>5</sup>	ED4	38.5 x 30 x 14	230	\$19,015	V1
	40	105	30	86	EDP11S105DN3R10000	Yes	D <sup>5</sup>	ED4	38.5 x 30 x 14	240	\$22,226	V1
	50	142	40	115	EDP11S142DN3R10000	No	E <sup>6</sup>	ED5	50.5 x 30 x 17.5	300	\$26,952	V1
	60	180	50	142	EDP11S180DN3R10000	No	E <sup>6</sup>	ED5	50.5 x 30 x 17.5	300	\$33,285	V1
	75	211	60	180	EDP11S211DN3R10000	No	E <sup>6</sup>	ED5	50.5 x 30 x 17.5	300	\$37,824	V1
<b>Input Power Supply: Three-Phase 460-480 Vac</b>												
460 Vac	2	3.6	2	3.6	EDP11S003GN3R10000	Yes	A <sup>5</sup>	ED2	26.5 x 20 x 11.5	36	\$9,851	V1
	3	5.0	3	5.0	EDP11S005GN3R10000	Yes	A <sup>5</sup>	ED2	26.5 x 20 x 11.5	36	\$9,967	V1
	5	7.0	3	5.5	EDP11S007GN3R10000	Yes	A <sup>5</sup>	ED2	26.5 x 20 x 11.5	41	\$10,031	V1
	7 1/2	10	5	10	EDP11S010GN3R10000	Yes	A <sup>5</sup>	ED2	26.5 x 20 x 11.5	42	\$10,107	V1
	10	13.5	7 1/2	11	EDP11S013GN3R10000	Yes	A <sup>5</sup>	ED2	26.5 x 20 x 11.5	42	\$10,206	V1
	10	17	10	13.5	EDP11S017GN3R10000	Yes	B <sup>5</sup>	ED2	26.5 x 20 x 11.5	56	\$10,698	V1
	15	24	10	19	EDP11S024GN3R10000	Yes	B <sup>5</sup>	ED2	26.5 x 20 x 11.5	56	\$11,444	V1
	20	31	15	25	EDP11S031GN3R10000	Yes	B <sup>5</sup>	ED2	26.5 x 20 x 11.5	56	\$12,314	V1
	25	38	20	33	EDP11S038GN3R10000	Yes	C <sup>5</sup>	ED3	32.5 x 24 x 14	90	\$13,227	V1
	30	45	25	38	EDP11S045GN3R10000	Yes	C <sup>5</sup>	ED3	32.5 x 24 x 14	104	\$14,616	V1
	40	58.5	30	47	EDP11S058GN3R10000	Yes	C <sup>5</sup>	ED3	32.5 x 24 x 14	110	\$16,368	V1
	50/60	70.5	40	61	EDP11S070GN3R10000	Yes	D <sup>5</sup>	ED4	38.5 x 30 x 14	240	\$17,146	V1
	75	88	50	73	EDP11S088GN3R10000	Yes	D <sup>5</sup>	ED4	38.5 x 30 x 14	245	\$19,541	V1
	75	105	75	88	EDP11S105GN3R10000	No	E <sup>6</sup>	ED5	50.5 x 30 x 17.5	300	\$23,077	V1
	100/125	142	75	115	EDP11S142GN3R10000	No	E <sup>6</sup>	ED5	50.5 x 30 x 17.5	300	\$27,400	V1
	150	180	100	142	EDP11S180GN3R10000	No	E <sup>6</sup>	ED5	50.5 x 30 x 17.5	300	\$33,842	V1
	175	211	125	180	EDP11S211GN3R10000	No	E <sup>6</sup>	ED5	50.5 x 30 x 17.5	300	\$38,447	V1
	200	242	150	211	EDP11S242GN3R10000	No	F <sup>6</sup>	ED7	83 x 32 x 41	700	\$58,272	V1
	250	312	200	242	EDP11S312GN3R10000	No	F <sup>6</sup>	ED7	83 x 32 x 41	720	\$64,196	V1
	300	370	250	312	EDP11S370GN3R10000	No	F <sup>6</sup>	ED7	83 x 32 x 41	750	\$67,085	V1
	400	477	300	370	EDP11S477GN3R10000	No	F <sup>6</sup>	ED7	83 x 32 x 41	775	\$81,556	V1
	450	515	400	477	EDP11S515GN3R10000	No	G <sup>6</sup>	ED9	83 x 56 x 37	1100	\$94,009	V1
500	601	450	515	EDP11S601GN3R10000	No	G <sup>6</sup>	ED9	83 x 56 x 37	1120	\$105,400	V1	
600	720	500	560	EDP11S720GN3R10000	No	G <sup>7</sup>	ED9	83 x 56 x 37	1150	\$125,897	V1	

VFDs and Enclosed Motor Controls

**Notes:**

- 1) CT = Constant Torque, 150% overload / 60 sec.; VT = Variable Torque (Quadratic Load), 110% overload / 60 sec.
  - 2) "HP" rating based on "average FLA values". Use as a guide only.
  - 3) Motor FLA may vary with speed and manufacturer. ALWAYS compare motor FLA to Nominal AMPS of drive.
  - 4) ED1 - ED4 enclosures are non-ventilated and wall-mounted; ED6 - ED9 enclosures are ventilated and floor mounted.
  - 5) Maximum 45°C ambient temperature without derating
  - 6) Maximum 40°C ambient temperature without derating
  - 7) Maximum 38°C ambient temperature without derating
  - 8) Dimensions and weights are for estimating purposes only. Only use "AS BUILT" drawings for construction.
- For other technical data please refer to WEG product manual.

Please refer to back cover for description of "NOTES"

For detailed specifications, data sheets, drawings and performance curves visit <http://www.weg.net>

## EDP11 - ENGINEERED DRIVE PANEL

### Enclosed VFD Panel - NEMA 3R Enclosure (no By-Pass) with HOA / Pot / TB

Motor Voltage	ND / VT <sup>1</sup>		HD / CT <sup>1</sup>		Catalog Number	Braking Transistor	Drive Frame Size	Enclosure Frame Size <sup>4</sup>	Dimensions (in.) HxWxD <sup>7</sup>	Approx. Weight (lbs.) <sup>7</sup>	List Price	Multiplier
	Motor HP <sup>2</sup>	Drive Amps <sup>3</sup>	Motor HP <sup>2</sup>	Drive Amps <sup>3</sup>								
230 Vac	Input Power Supply: Three-Phase 220-240 Vac											
	2	7.0	1 1/2	5.5	EDP11S007DN3R01000	Yes	A <sup>5</sup>	ED1	26.5 x 20 x 11.5	36	\$9,284	V1
	3	10	2	8.0	EDP11S010DN3R01000	Yes	A <sup>5</sup>	ED1	26.5 x 20 x 11.5	36	\$9,350	V1
	5	13	3	11	EDP11S013DN3R01000	Yes	A <sup>5</sup>	ED1	26.5 x 20 x 11.5	41	\$9,449	V1
	5	16	5	13	EDP11S016DN3R01000	Yes	A <sup>5</sup>	ED1	26.5 x 20 x 11.5	42	\$9,681	V1
	7 1/2	24	7 1/2	20	EDP11S024DN3R01000	Yes	B <sup>5</sup>	ED1	26.5 x 20 x 11.5	56	\$10,222	V1
	10	28	10	24	EDP11S028DN3R01000	Yes	B <sup>5</sup>	ED1	26.5 x 20 x 11.5	56	\$10,965	V1
	10	33.5	10	28	EDP11S033DN3R01000	Yes	B <sup>5</sup>	ED1	26.5 x 20 x 11.5	56	\$11,665	V1
	15	45	15	36	EDP11S045DN3R01000	Yes	C <sup>5</sup>	ED2	32.5 x 24 x 14	88	\$12,885	V1
	20	54	20	45	EDP11S054DN3R01000	Yes	C <sup>5</sup>	ED2	32.5 x 24 x 14	90	\$14,163	V1
	25	70	20	56	EDP11S070DN3R01000	Yes	C <sup>5</sup>	ED2	32.5 x 24 x 14	100	\$14,925	V1
	30	86	25	70	EDP11S086DN3R01000	Yes	D <sup>5</sup>	ED3	38.5 x 30 x 14	230	\$17,083	V1
	40	105	30	86	EDP11S105DN3R01000	Yes	D <sup>5</sup>	ED3	38.5 x 30 x 14	240	\$20,101	V1
	50	142	40	115	EDP11S142DN3R01000	No	E <sup>6</sup>	ED4	50.5 x 30 x 17.5	300	\$22,730	V1
	60	180	50	142	EDP11S180DN3R01000	No	E <sup>6</sup>	ED4	50.5 x 30 x 17.5	300	\$28,053	V1
75	211	60	180	EDP11S211DN3R01000	No	E <sup>6</sup>	ED4	50.5 x 30 x 17.5	300	\$31,262	V1	
460 Vac	Input Power Supply: Three-Phase 460-480 Vac											
	2	3.6	2	3.6	EDP11S003GN3R01000	Yes	A <sup>5</sup>	ED1	26.5 x 20 x 11.5	36	\$9,104	V1
	3	5.0	3	5.0	EDP11S005GN3R01000	Yes	A <sup>5</sup>	ED1	26.5 x 20 x 11.5	36	\$9,220	V1
	5	7.0	3	5.5	EDP11S007GN3R01000	Yes	A <sup>5</sup>	ED1	26.5 x 20 x 11.5	41	\$9,284	V1
	7 1/2	10	5	10	EDP11S010GN3R01000	Yes	A <sup>5</sup>	ED1	26.5 x 20 x 11.5	42	\$9,350	V1
	10	13.5	7 1/2	11	EDP11S013GN3R01000	Yes	A <sup>5</sup>	ED1	26.5 x 20 x 11.5	42	\$9,449	V1
	10	17	10	13.5	EDP11S017GN3R01000	Yes	B <sup>5</sup>	ED1	26.5 x 20 x 11.5	56	\$9,863	V1
	15	24	10	19	EDP11S024GN3R01000	Yes	B <sup>5</sup>	ED1	26.5 x 20 x 11.5	56	\$10,415	V1
	20	31	15	25	EDP11S031GN3R01000	Yes	B <sup>5</sup>	ED1	26.5 x 20 x 11.5	56	\$11,174	V1
	25	38	20	33	EDP11S038GN3R01000	Yes	C <sup>5</sup>	ED2	32.5 x 24 x 14	90	\$11,888	V1
	30	45	25	38	EDP11S045GN3R01000	Yes	C <sup>5</sup>	ED2	32.5 x 24 x 14	104	\$13,132	V1
	40	58.5	30	47	EDP11S058GN3R01000	Yes	C <sup>5</sup>	ED2	32.5 x 24 x 14	110	\$14,436	V1
	50/60	70.5	40	61	EDP11S070GN3R01000	Yes	D <sup>5</sup>	ED3	38.5 x 30 x 14	240	\$15,214	V1
	75	88	50	73	EDP11S088GN3R01000	Yes	D <sup>5</sup>	ED3	38.5 x 30 x 14	245	\$17,416	V1
	75	105	75	88	EDP11S105GN3R01000	No	E <sup>6</sup>	ED4	50.5 x 30 x 17.5	300	\$20,496	V1
	100/125	142	75	115	EDP11S142GN3R01000	No	E <sup>6</sup>	ED4	50.5 x 30 x 17.5	300	\$23,178	V1
	150	180	100	142	EDP11S180GN3R01000	No	E <sup>6</sup>	ED4	50.5 x 30 x 17.5	300	\$28,610	V1
	175	211	125	180	EDP11S211GN3R01000	No	E <sup>6</sup>	ED4	50.5 x 30 x 17.5	300	\$31,885	V1
	200	242	150	211	EDP11S242GN3R01000	No	F <sup>6</sup>	ED6	83 x 32 x 41	700	\$46,456	V1
	250	312	200	242	EDP11S312GN3R01000	No	F <sup>6</sup>	ED6	83 x 32 x 41	720	\$50,911	V1
	300	370	250	312	EDP11S370GN3R01000	No	F <sup>6</sup>	ED6	83 x 32 x 41	750	\$53,540	V1
	400	477	300	370	EDP11S477GN3R01000	No	F <sup>6</sup>	ED6	83 x 32 x 41	775	\$60,381	V1
450	515	400	477	EDP11S515GN3R01000	No	G <sup>6</sup>	ED8	83 x 56 x 37	1100	\$72,834	V1	
500	601	450	515	EDP11S601GN3R01000	No	G <sup>6</sup>	ED8	83 x 56 x 37	1120	\$78,686	V1	
600	720	500	560	EDP11S720GN3R01000	No	G <sup>7</sup>	ED8	83 x 56 x 37	1150	\$95,367	V1	

**Notes:**

- 1) CT = Constant Torque, 150% overload / 60 sec.; VT = Variable Torque (Quadratic Load), 110% overload / 60 sec.
  - 2) "HP" rating based on "average FLA values". Use as a guide only.
  - 3) Motor FLA may vary with speed and manufacturer. ALWAYS compare motor FLA to Nominal AMPS of drive.
  - 4) ED1 - ED4 enclosures are non-ventilated and wall-mounted; ED6 - ED9 enclosures are ventilated and floor mounted.
  - 5) Maximum 45°C ambient temperature without derating
  - 6) Maximum 40°C ambient temperature without derating
  - 7) Maximum 38°C ambient temperature without derating
  - 8) Dimensions and weights are for estimating purposes only. Only use "AS BUILT" drawings for construction.
- For other technical data please refer to WEG product manual.

Please refer to back cover for description of "NOTES"

For detailed specifications, data sheets, drawings and performance curves visit <http://www.weg.net>



### Enclosed VFD Panel - NEMA 3R Enclosure with By-Pass and HOA / Pot / TB

Motor Voltage	ND / VT <sup>1</sup>		HD / CT <sup>1</sup>		Catalog Number	Braking Transistor	Drive Frame Size	Enclosure Frame Size <sup>4</sup>	Dimensions (in.) HxWxD <sup>7</sup>	Approx. Weight (lbs.) <sup>7</sup>	List Price	Multiplier
	Motor HP <sup>2</sup>	Drive Amps <sup>3</sup>	Motor HP <sup>2</sup>	Drive Amps <sup>3</sup>								
230 Vac	Input Power Supply: Three-Phase 220-240 Vac											
	2	7.0	1 1/2	5.5	EDP11S007DN3R11000	Yes	A <sup>5</sup>	ED2	26.5 x 20 x 11.5	36	\$10,794	V1
	3	10	2	8.0	EDP11S010DN3R11000	Yes	A <sup>5</sup>	ED2	26.5 x 20 x 11.5	36	\$10,870	V1
	5	13	3	11	EDP11S013DN3R11000	Yes	A <sup>5</sup>	ED2	26.5 x 20 x 11.5	41	\$10,969	V1
	5	16	5	13	EDP11S016DN3R11000	Yes	A <sup>5</sup>	ED2	26.5 x 20 x 11.5	42	\$11,201	V1
	7 1/2	24	7 1/2	20	EDP11S024DN3R11000	Yes	B <sup>5</sup>	ED2	26.5 x 20 x 11.5	56	\$11,820	V1
	10	28	10	24	EDP11S028DN3R11000	Yes	B <sup>5</sup>	ED2	26.5 x 20 x 11.5	56	\$12,757	V1
	10	33.5	10	28	EDP11S033DN3R11000	Yes	B <sup>5</sup>	ED2	26.5 x 20 x 11.5	56	\$13,568	V1
	15	45	15	36	EDP11S045DN3R11000	Yes	C <sup>5</sup>	ED3	32.5 x 24 x 14	88	\$14,987	V1
	20	54	20	45	EDP11S054DN3R11000	Yes	C <sup>5</sup>	ED3	32.5 x 24 x 14	90	\$16,410	V1
	25	70	20	56	EDP11S070DN3R11000	Yes	C <sup>5</sup>	ED3	32.5 x 24 x 14	100	\$17,620	V1
	30	86	25	70	EDP11S086DN3R11000	Yes	D <sup>5</sup>	ED4	38.5 x 30 x 14	230	\$19,778	V1
	40	105	30	86	EDP11S105DN3R11000	Yes	D <sup>5</sup>	ED4	38.5 x 30 x 14	240	\$22,989	V1
	50	142	40	115	EDP11S142DN3R11000	No	E <sup>6</sup>	ED5	50.5 x 30 x 17.5	300	\$27,715	V1
	60	180	50	142	EDP11S180DN3R11000	No	E <sup>6</sup>	ED5	50.5 x 30 x 17.5	300	\$34,048	V1
75	211	60	180	EDP11S211DN3R11000	No	E <sup>6</sup>	ED5	50.5 x 30 x 17.5	300	\$38,587	V1	
460 Vac	Input Power Supply: Three-Phase 460-480 Vac											
	2	3.6	2	3.6	EDP11S003GN3R11000	Yes	A <sup>5</sup>	ED2	26.5 x 20 x 11.5	36	\$10,614	V1
	3	5.0	3	5.0	EDP11S005GN3R11000	Yes	A <sup>5</sup>	ED2	26.5 x 20 x 11.5	36	\$10,730	V1
	5	7.0	3	5.5	EDP11S007GN3R11000	Yes	A <sup>5</sup>	ED2	26.5 x 20 x 11.5	41	\$10,794	V1
	7 1/2	10	5	10	EDP11S010GN3R11000	Yes	A <sup>5</sup>	ED2	26.5 x 20 x 11.5	42	\$10,870	V1
	10	13.5	7 1/2	11	EDP11S013GN3R11000	Yes	A <sup>5</sup>	ED2	26.5 x 20 x 11.5	42	\$10,969	V1
	10	17	10	13.5	EDP11S017GN3R11000	Yes	B <sup>5</sup>	ED2	26.5 x 20 x 11.5	56	\$11,461	V1
	15	24	10	19	EDP11S024GN3R11000	Yes	B <sup>5</sup>	ED2	26.5 x 20 x 11.5	56	\$12,207	V1
	20	31	15	25	EDP11S031GN3R11000	Yes	B <sup>5</sup>	ED2	26.5 x 20 x 11.5	56	\$13,077	V1
	25	38	20	33	EDP11S038GN3R11000	Yes	C <sup>5</sup>	ED3	32.5 x 24 x 14	90	\$13,873	V1
	30	45	25	38	EDP11S045GN3R11000	Yes	C <sup>5</sup>	ED3	32.5 x 24 x 14	104	\$15,233	V1
	40	58.5	30	47	EDP11S058GN3R11000	Yes	C <sup>5</sup>	ED3	32.5 x 24 x 14	110	\$16,683	V1
	50/60	70.5	40	61	EDP11S070GN3R11000	Yes	D <sup>5</sup>	ED4	38.5 x 30 x 14	240	\$17,909	V1
	75	88	50	73	EDP11S088GN3R11000	Yes	D <sup>5</sup>	ED4	38.5 x 30 x 14	245	\$20,304	V1
	75	105	75	88	EDP11S105GN3R11000	No	E <sup>6</sup>	ED5	50.5 x 30 x 17.5	300	\$23,840	V1
	100/125	142	75	115	EDP11S142GN3R11000	No	E <sup>6</sup>	ED5	50.5 x 30 x 17.5	300	\$28,163	V1
	150	180	100	142	EDP11S180GN3R11000	No	E <sup>6</sup>	ED5	50.5 x 30 x 17.5	300	\$34,605	V1
	175	211	125	180	EDP11S211GN3R11000	No	E <sup>6</sup>	ED5	50.5 x 30 x 17.5	300	\$39,210	V1
	200	242	150	211	EDP11S242GN3R11000	No	F <sup>6</sup>	ED7	83 x 32 x 41	700	\$59,035	V1
	250	312	200	242	EDP11S312GN3R11000	No	F <sup>6</sup>	ED7	83 x 32 x 41	720	\$65,054	V1
300	370	250	312	EDP11S370GN3R11000	No	F <sup>6</sup>	ED7	83 x 32 x 41	750	\$67,943	V1	
400	477	300	370	EDP11S477GN3R11000	No	F <sup>6</sup>	ED7	83 x 32 x 41	775	\$82,414	V1	
450	515	400	477	EDP11S515GN3R11000	No	G <sup>6</sup>	ED9	83 x 56 x 37	1100	\$94,867	V1	
500	601	450	515	EDP11S601GN3R11000	No	G <sup>6</sup>	ED9	83 x 56 x 37	1120	\$106,258	V1	
600	720	500	560	EDP11S720GN3R11000	No	G <sup>7</sup>	ED9	83 x 56 x 37	1150	\$126,755	V1	

VFDs and Enclosed Motor Controls

**Notes:**

- 1) CT = Constant Torque, 150% overload / 60 sec.; VT = Variable Torque (Quadratic Load), 110% overload / 60 sec.
  - 2) "HP" rating based on "average FLA values". Use as a guide only.
  - 3) Motor FLA may vary with speed and manufacturer. ALWAYS compare motor FLA to Nominal AMPS of drive.
  - 4) ED1 - ED4 enclosures are non-ventilated and wall-mounted; ED6 - ED9 enclosures are ventilated and floor mounted.
  - 5) Maximum 45°C ambient temperature without derating
  - 6) Maximum 40°C ambient temperature without derating
  - 7) Maximum 38°C ambient temperature without derating
  - 8) Dimensions and weights are for estimating purposes only. Only use "AS BUILT" drawings for construction.
- For other technical data please refer to WEG product manual.

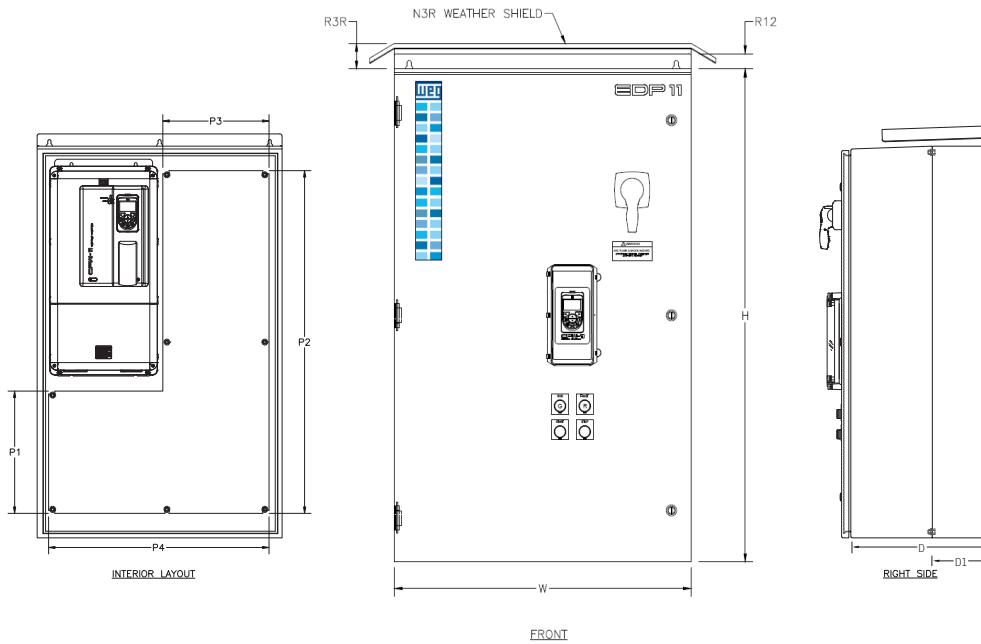
Please refer to back cover for description of "NOTES"

For detailed specifications, data sheets, drawings and performance curves visit <http://www.weg.net>

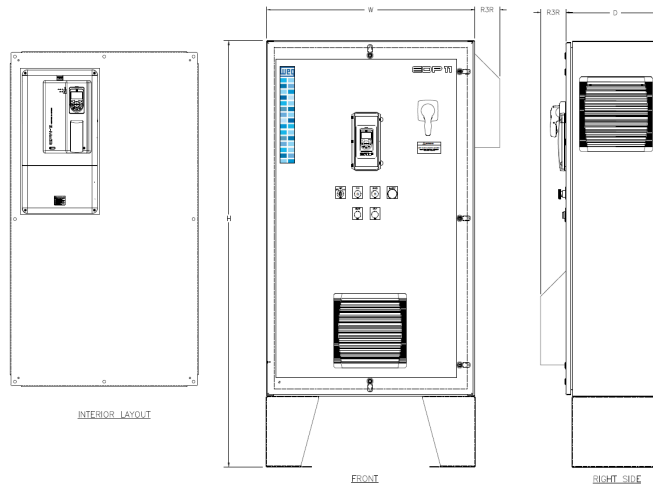
## EDP11 - ENGINEERED DRIVE PANEL

### Enclosure Frame Size

#### ED 1, 2, 3, 4



#### ED 5



### Dimensions <sup>5</sup>

Frame	H	W	D	D1	R3R <sup>1</sup>	R12 <sup>2</sup>
ED1 <sup>4</sup>	24	20	11.5	2.8	2.5	1.5
ED2 <sup>4</sup>	30	24	14	5.4	2.5	1.5
ED3 <sup>4</sup>	36	30	14	5.5	2.5	1.5
ED4 <sup>4</sup>	48	30	17.5	6.8	2.5	1.5
ED5 <sup>3</sup>	72	36	16	N/A	4	N/A

**NOTSE:**

- 1) For NEMA 3R cabinet
- 2) For NEMA 12 Cabinet
- 3) ED5 "H" Dimension includes 12" for legs
- 4) ED1 - ED4 enclosures are non-ventilated and wall-mounted; ED5 enclosures are non-ventilated and floor mounted.
- 5) Dimensions are provided for estimating purposes only.

\*For NEMA 3R cabinet \*\*For NEMA 12 cabinet

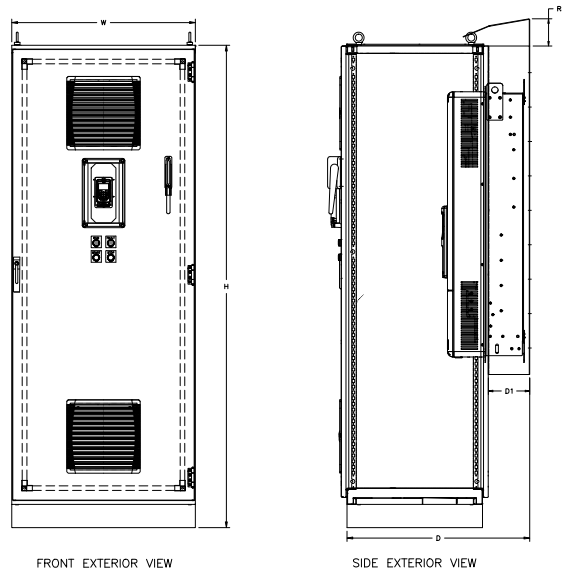
Please refer to back cover for description of "NOTES"

For detailed specifications, data sheets, drawings and performance curves visit [http:// www.weg.net](http://www.weg.net)

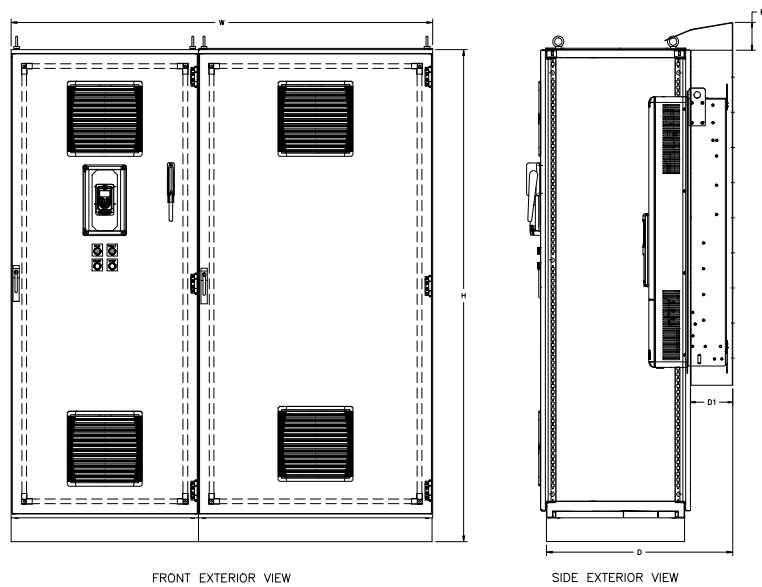
Data subject to change without notice.

### Enclosure Frame Size

#### ED 6



#### ED 7, 8, 9



VFDs and Enclosed Motor Controls

### Dimensions

Frame	H	W	D(N12)	D(N3R)	D1(N12)	D1(N3R)	R3R	N12
ED6	83	32	31.4	41	6.2	11.4	2.5	1.5
ED7	83	63	31.4	41	6.2	11.4	2.5	1.5
ED8	83	56	31.9	41	7.5	11.4	2.5	1.5
ED9	83	95	31.9	41	7.5	11.4	2.5	1.5

NOTE: ED5 - ED9 enclosures are ventilated and floor-mounted

Please refer to back cover for description of "NOTES"

For detailed specifications, data sheets, drawings and performance curves visit <http://www.weg.net>

Data subject to change without notice.

Can't find what you are looking for? Call 1-800-ASK-4WEG (275-4934)

**A-359**

# GPH2

The Combination Soft Starter is a NEMA 4/12 Enclosed industrial general purpose AC motor soft starter package. It is designed for simple and quick installation and start-up, requiring only input power and output motor connections.

The Combination Soft Starter is built to complement the ruggedness and reliability of WEG motors, providing a complete, simple, and cost effective AC motor starting and protection solution.



## Standard Features

- Rated for 300% for 30 seconds
- Rated for 450% with derating
- 5 – 175HP at 230V
- 10 – 350HP at 460V
- Wall mounted enclosures for up to 125HP @ 230V; 250HP@460V
- Floor Mounted enclosure for up to 150 – 175HP @ 230V, and 300 – 350HP @ 460V
- Soft Starter
- SSW07 from 17 to 412Amps (all models with integrated AC1 by-pass)
- Circuit Breaker with Through Door Disconnect
- Control Power Transformer
- Start/Stop Pushbuttons
- Run/Fault Pilot Lights
- SuperDrive G2 Compatible

*Note:*  
SSW07 models do not include keypad

## Applications

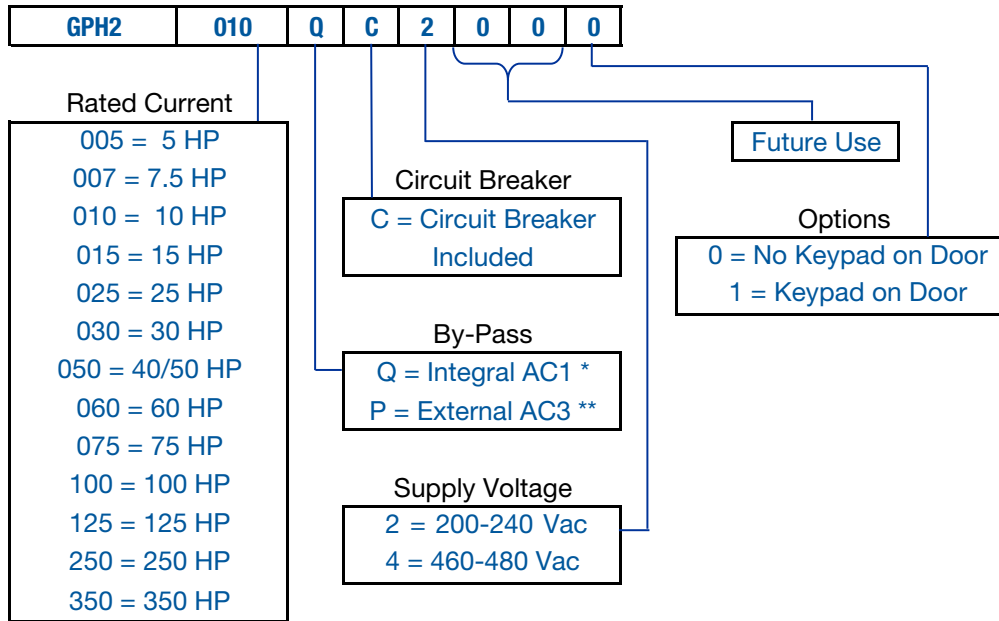
- Centrifugal Pumps
- Screw Compressors
- Centrifugal Fans
- Wood Chipper
- Veneer Lathe
- Saw
- Conveyor

## Optional Features

- AC3 by-pass contactor and DOL Selector Switch
- Door mounted keypad
- 575V



### GPH2 Catalog Number Sequence



\* Bypass Contactor is 'Run Rated' and is integral to the soft starter

\*\* Bypass Contactor is 'Full Rated' and mounted adjacent the soft starter inside the panel.

Table intended as reference only and not to create part numbers.

# Enclosed Motor Controls



## GHP2 - COMBINATION SOFT STARTER

### NEMA 4 / 12 Enclosure (Standard Version - with Circuit Breaker, Integral AC1 By-Pass and no Keypad on Door)

Motor Voltage	Motor HP <sup>1</sup>	Starter Amps <sup>2</sup>	Catalog Number	Frame Size	Approx. Weight <sup>4</sup> (lbs.)	List Price	Multiplier
230 Vac	<b>Input Power Supply: Three-Phase 200-240 Vac</b>						
	5	17	GPH2005QC2000	1	140	\$3,650	E1
	7.5	24	GPH2007QC2000	1	140	\$3,750	E1
	10	30	GPH2010QC2000	1	140	\$3,900	E1
	15	45	GPH2015QC2000	2	150	\$4,300	E1
	25	61	GPH2025QC2000	2	150	\$4,800	E1
	30	85	GPH2030QC2000	2	150	\$5,800	E1
	50	130	GPH2050QC2000	3	280	\$6,990	E1
	60	171	GPH2060QC2000	3	280	\$7,500	E1
	75	200	GPH2075QC2000	3	280	\$8,450	E1
	100	255	GPH2100QC2000	4	415	\$10,700	E1
	125	312	GPH2125QC2000	4	415	\$11,880	E1
	150	365	GPH2150QC2000	5	610	\$12,700	E1
	175	412	GPH2175QC2000	5	610	\$14,500	E1
460 Vac	<b>Input Power Supply: Three-Phase 460-480 Vac</b>						
	10	17	GPH2010QC4000	1	140	\$3,650	E1
	15	24	GPH2015QC4000	1	140	\$3,750	E1
	20	30	GPH2020QC4000	1	140	\$3,900	E1
	30	45	GPH2030QC4000	2	150	\$4,300	E1
	40 / 50	61	GPH2050QC4000	2	150	\$4,800	E1
	75	85	GPH2075QC4000	2	150	\$5,800	E1
	100	130	GPH2100QC4000	3	280	\$6,990	E1
	125	171	GPH2125QC4000	3	280	\$7,500	E1
	150	200	GPH2150QC4000	3	280	\$8,450	E1
	200	255	GPH2200QC4000	4	415	\$10,700	E1
	250	312	GPH2250QC4000	4	415	\$11,880	E1
	300	365	GPH2300QC4000	5	610	\$12,700	E1
	350	412	GPH2350QC4000	5	610	\$14,500	E1

**Notes:**

- 1) "HP" rating based on FLA values from WEG W22, 2 and 4 pole, NEMA Premium® motors.
- 2) Motor FLA may vary with speed and manufacturer. ALWAYS compare motor FLA to Nominal AMPS of the starter.
- 3) For other technical data please refer to WEG product manual.
- 4) Dimensions and weights are for estimating purposes only. Only use "AS BUILT" drawings for construction.

Please refer to back cover for description of "NOTES"

For detailed specifications, data sheets, drawings and performance curves visit [http:// www.weg.net](http://www.weg.net)



### NEMA 4 / 12 Enclosure (with Circuit Breaker, Integral AC1 By-Pass and Keypad on Door)

Motor Voltage	Motor HP <sup>1</sup>	Starter Amps <sup>2</sup>	Catalog Number	Frame Size	Approx. Weight <sup>4</sup> (lbs.)	List Price	Multiplier
230 Vac	<b>Input Power Supply: Three-Phase 200-240 Vac</b>						
	5	17	GPH2005QC2001	1	140	\$4,145	E1
	7.5	24	GPH2007QC2001	1	140	\$4,245	E1
	10	30	GPH2010QC2001	1	140	\$4,395	E1
	15	45	GPH2015QC2001	2	150	\$4,795	E1
	25	61	GPH2025QC2001	2	150	\$5,295	E1
	30	85	GPH2030QC2001	2	150	\$6,295	E1
	50	130	GPH2050QC2001	3	280	\$7,485	E1
	60	171	GPH2060QC2001	3	280	\$7,995	E1
	75	200	GPH2075QC2001	3	280	\$8,945	E1
	100	255	GPH2100QC2001	4	415	\$11,195	E1
	125	312	GPH2125QC2001	4	415	\$12,375	E1
	150	365	GPH2150QC2001	5	610	\$13,195	E1
	175	412	GPH2175QC2001	5	610	\$14,995	E1
460 Vac	<b>Input Power Supply: Three-Phase 460-480 Vac</b>						
	10	17	GPH2010QC4001	1	140	\$4,145	E1
	15	24	GPH2015QC4001	1	140	\$4,245	E1
	20	30	GPH2020QC4001	1	140	\$4,395	E1
	30	45	GPH2030QC4001	2	150	\$4,795	E1
	40 / 50	61	GPH2050QC4001	2	150	\$5,295	E1
	75	85	GPH2075QC4001	2	150	\$6,295	E1
	100	130	GPH2100QC4001	3	280	\$7,485	E1
	125	171	GPH2125QC4001	3	280	\$7,995	E1
	150	200	GPH2150QC4001	3	280	\$8,945	E1
	200	255	GPH2200QC4001	4	415	\$11,195	E1
	250	312	GPH2250QC4001	4	415	\$12,375	E1
	300	365	GPH2300QC4001	5	610	\$13,195	E1
	350	412	GPH2350QC4001	5	610	\$14,995	E1

**Notes:**

- 1) "HP" rating based on FLA values from WEG W22, 2 and 4 pole, NEMA Premium® motors.
- 2) Motor FLA may vary with speed and manufacturer. ALWAYS compare motor FLA to Nominal AMPS of the starter.
- 3) For other technical data please refer to WEG product manual.
- 4) Dimensions and weights are for estimating purposes only. Only use "AS BUILT" drawings for construction.

VFDs and Enclosed Motor Controls

Please refer to back cover for description of "NOTES"

For detailed specifications, data sheets, drawings and performance curves visit <http://www.weg.net>

Data subject to change without notice.

Can't find what you are looking for? Call 1-800-ASK-4WEG (275-4934)

## GHP2 - COMBINATION SOFT STARTER

### NEMA 4 / 12 Enclosure (with Circuit Breaker, External AC3 By-Pass and no Keypad on Door)

Motor Voltage	Motor HP 1	Starter Amps 2	Catalog Number	Frame Size	Approx. Weight 4 (lbs.)	List Price	Multiplier
230 Vac	<b>Input Power Supply: Three-Phase 200-240 Vac</b>						
	5	17	GPH2005PC2000	1	140	\$3,900	E1
	7.5	24	GPH2007PC2000	1	140	\$4,032	E1
	10	30	GPH2010PC2000	1	140	\$4,243	E1
	15	45	GPH2015PC2000	2	150	\$4,865	E1
	25	61	GPH2025PC2000	2	150	\$5,412	E1
	30	85	GPH2030PC2000	2	150	\$6,585	E1
	50	130	GPH2050PC2000	3	280	\$8,260	E1
	60	171	GPH2060PC2000	3	280	\$9,013	E1
	75	200	GPH2075PC2000	3	280	\$10,350	E1
	100	255	GPH2100PC2000	4	415	\$12,965	E1
	125	312	GPH2125PC2000	4	415	\$14,847	E1
	150	365	GPH2150PC2000	5	610	\$15,706	E1
	175	412	GPH2175PC2000	5	610	\$21,075	E1
460 Vac	<b>Input Power Supply: Three-Phase 460-480 Vac</b>						
	10	17	GPH2010PC4000	1	140	\$3,900	E1
	15	24	GPH2015PC4000	1	140	\$4,032	E1
	20	30	GPH2020PC4000	1	140	\$4,243	E1
	30	45	GPH2030PC4000	2	150	\$4,865	E1
	40 / 50	61	GPH2050PC4000	2	150	\$5,412	E1
	75	85	GPH2075PC4000	2	150	\$6,585	E1
	100	130	GPH2100PC4000	3	280	\$8,260	E1
	125	171	GPH2125PC4000	3	280	\$9,013	E1
	150	200	GPH2150PC4000	3	280	\$10,350	E1
	200	255	GPH2200PC4000	4	415	\$12,965	E1
	250	312	GPH2250PC4000	4	415	\$14,847	E1
	300	365	GPH2300PC4000	5	610	\$15,706	E1
	350	412	GPH2350PC4000	5	610	\$21,075	E1

**Notes:**

- 1) "HP" rating based on FLA values from WEG W22, 2 and 4 pole, NEMA Premium® motors.
- 2) Motor FLA may vary with speed and manufacturer. ALWAYS compare motor FLA to Nominal AMPS of the starter.
- 3) For other technical data please refer to WEG product manual.
- 4) Dimensions and weights are for estimating purposes only. Only use "AS BUILT" drawings for construction.

Please refer to back cover for description of "NOTES"

For detailed specifications, data sheets, drawings and performance curves visit <http://www.weg.net>



### NEMA 4 / 12 Enclosure (with Circuit Breaker, External AC3 By-Pass and Keypad on Door)

Motor Voltage	Motor HP <sup>1</sup>	Starter Amps <sup>2</sup>	Catalog Number	Frame Size	Approx. Weight <sup>4</sup> (lbs.)	List Price	Multiplier Symbol
230 Vac	Input Power Supply: Three-Phase 200-240 Vac						
	5	17	GPH2005PC2001	1	140	\$4,395	E1
	7.5	24	GPH2007PC2001	1	140	\$4,527	E1
	10	30	GPH2010PC2001	1	140	\$4,738	E1
	15	45	GPH2015PC2001	2	150	\$5,360	E1
	25	61	GPH2025PC2001	2	150	\$5,907	E1
	30	85	GPH2030PC2001	2	150	\$7,080	E1
	50	130	GPH2050PC2001	3	280	\$8,755	E1
	60	171	GPH2060PC2001	3	280	\$9,508	E1
	75	200	GPH2075PC2001	3	280	\$10,845	E1
	100	255	GPH2100PC2001	4	415	\$13,460	E1
	125	312	GPH2125PC2001	4	415	\$15,342	E1
	150	365	GPH2150PC2001	5	610	\$16,201	E1
	175	412	GPH2175PC2001	5	610	\$21,570	E1
460 Vac	Input Power Supply: Three-Phase 460-480 Vac						
	10	17	GPH2010PC4001	1	140	\$4,395	E1
	15	24	GPH2015PC4001	1	140	\$4,527	E1
	20	30	GPH2020PC4001	1	140	\$4,738	E1
	30	45	GPH2030PC4001	2	150	\$5,360	E1
	40 / 50	61	GPH2050PC4001	2	150	\$5,907	E1
	75	85	GPH2075PC4001	2	150	\$7,080	E1
	100	130	GPH2100PC4001	3	280	\$8,755	E1
	125	171	GPH2125PC4001	3	280	\$9,508	E1
	150	200	GPH2150PC4001	3	280	\$10,845	E1
	200	255	GPH2200PC4001	4	415	\$13,460	E1
	250	312	GPH2250PC4001	4	415	\$15,342	E1
	300	365	GPH2300PC4001	5	610	\$16,201	E1
	350	412	GPH2350PC4001	5	610	\$21,570	E1

**Notes:**

- 1) "HP" rating based on FLA values from WEG W22, 2 and 4 pole, NEMA Premium® motors.
- 2) Motor FLA may vary with speed and manufacturer. ALWAYS compare motor FLA to Nominal AMPS of the starter.
- 3) For other technical data please refer to WEG product manual.
- 4) Dimensions and weights are for estimating purposes only. Only use "AS BUILT" drawings for construction.

VFDs and Enclosed Motor Controls

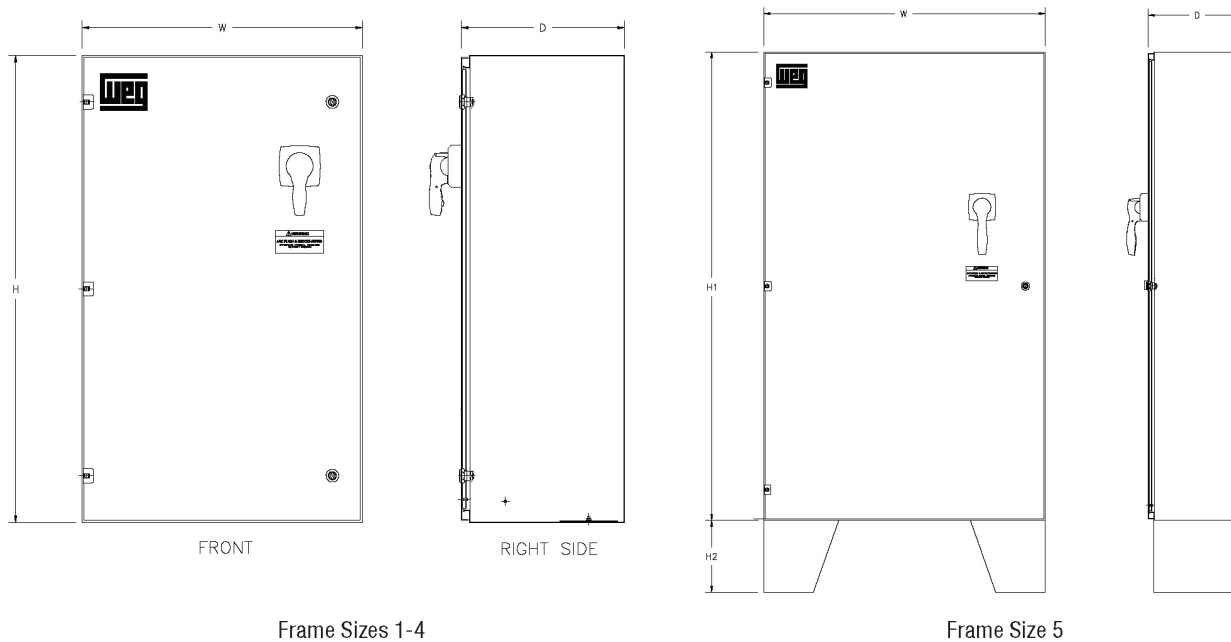
Please refer to back cover for description of "NOTES"

For detailed specifications, data sheets, drawings and performance curves visit <http://www.weg.net>

Data subject to change without notice.

Can't find what you are looking for? Call 1-800-ASK-4WEG (275-4934)

### GPH2 Dimensions



### GPH Dimensions

Frame	W	D	H1	H2	Approx. Weight (lbs)
1	16	8	24	N/A	140
2	24	12	32	N/A	150
3	24	14	40	N/A	280
4	32	16	48	N/A	415
5	36	16	60	12	610

Notes: H1 + H2 = overall height

# Enclosed Starters

Operation and Protection of Motors up to 600Hp at 460Vac (800A)

WEG enclosed starters series were designed to meet the requirements and flexibility frequently demanded in industrial applications. Featuring components that meet IEC design standards and UL horsepower ratings, WEG enclosed starters are UL508A approved and cULus certified. This means your panels will fulfill the rigorous requirements of UL508A and will have the quality and performance as for all WEG products



## Standard or Custom

By having most of the processes in WEG facilities we can manufacture not only the enclosed starters listed on this catalog, but also any other custom panel your application may require. Our Engineers will work together with you to provide the perfect solution for your application.

## Perfect Solution

WEG offers options for both: Full Voltage Non-Reversing Non-Combination Starters and Full Voltage Non-Reversing Combination Starters up to 250Hp at 460Vac.

WEG's UL508A panel shops can manufacture any configuration of Non-Combination or Combination Starters for any low voltage horsepower ratings. Some examples are listed below:

- Enclosed Contactors
- Full Voltage Reversing Starters
- Reduced Voltage Magnetic Starters  
(Part-Winding, Wye-Delta)
- Reduced Voltage Solid-State Starters
- Multi-Speed Starters
- Explosion Proof Starters

Whenever you need a reliable product to control & protect your application, WEG field specialists can help you find the best solution.

## New Concepts

Smaller size components allow selection of smaller enclosures which translates to cost savings. A wide range of ratings and frames allow the components to be more closely matched to your application. Our overload relays provide phase loss sensitivity, ambient temperature compensated for -4F to +140F (eliminating the need for additional heaters), and automatic reset for remote applications.

A wide range of industrial applications are covered: Pumps, Industrial Washing Machines, Compressors, Blowers, Cutting Machines, Conveyors, Lumber Processing and many others.

VFDs and  
Enclosed Motor  
Controls












Please refer to back cover for description of "NOTES"

For detailed specifications, data sheets, drawings and performance curves visit <http://www.weg.net>

Data subject to change without notice.

#### NON-COMBINATION STARTERS

Type		ESW	PESW	ESWX-M	ESWX-M	ESWX
						
Maximum Horsepower Rating at 460Vac 60Hz	[Hp]	75	75	10	75	75
Maximum Rated Current I <sub>max</sub> (Iu)	[A]	105	105	16	105	105
Rated Operational Voltage	[V]	600	600	600	600	600
Enclosure Type		Metallic Type 1	Non-Metallic Type 4X	Cast Aluminum NEMA 7/9 NEMA 4X	Cast Aluminum Type 7/9	Cast Aluminum Type 7/9
Protections provided						
Motor Disconnect				✓	✓	
Motor Branch Short Circuit				✓	✓	
Motor Controller		✓	✓	✓	✓	✓
Motor Overload		✓	✓	✓	✓	✓
Accessories						
Pushbuttons		N/A	N/A	N/A	N/A	
Pilot light		N/A	N/A	N/A	N/A	
Emergency Stop		N/A	N/A	N/A	N/A	
Selector Switch		N/A	N/A	N/A	N/A	
Control Transformer		N/A	N/A	N/A	N/A	(available as an option)
Timing Relays (RTW Series)		N/A	N/A	N/A	N/A	(available as an option)
Protector Relay (RPW Series)		N/A	N/A	N/A	N/A	(available as an option)
Level Relay (RNW Series)		N/A	N/A	N/A	N/A	(available as an option)

VFDs and Enclosed Motor Controls




Please refer to back cover for description of "NOTES"

For detailed specifications, data sheets, drawings and performance curves visit [http:// www.weg.net](http://www.weg.net)





### Product Line Overview

#### COMBINATION STARTERS

Type	ESWC	ESWE	ESWF
			
Maximum Horsepower Rating at 460Vac 60Hz [Hp]	250	20	75
Maximum Rated Current $I_{max}$ ( $I_u$ ) [A]	300	32	105
Rated Operational Voltage [V]	600	600	600
Enclosure Type	Metallic Type 1 Type 3R Type 4 / 12	Non-Metallic Type 4X	Metallic Type 4 / 12
<b>Protections provided</b>			
Motor Disconnect	✓	✓	✓
Motor Branch Short Circuit	✓	✓	✓
Motor Controller	✓	✓	✓
Motor Overload	✓	✓	✓

#### Accessories

Pushbuttons		
Pilot light		
Emergency Stop		
Selector Switch		
Control Transformer	(available as an option)	(available as an option)
Timing Relays (RTW Series)	(available as an option)	
Protector Relay (RPW Series)	(available as an option)	
Level Relay (RNW Series)	(available as an option)	

Please refer to back cover for description of "NOTES"

For detailed specifications, data sheets, drawings and performance curves visit <http://www.weg.net>

Data subject to change without notice.

Can't find what you are looking for? Call 1-800-ASK-4WEG (275-4934)

Non-Combination Starters

## ESW/PESW



UL File No. E202315

WEG offers non-reversing and non-combination magnetic starters up to 75HP at 460Vac (105A). Featuring components that meet IEC design standards and UL horsepower ratings, incorporating WEG contactors and overload relays, the magnetic starters are ideal to protect and operate motors, ensuring smooth operation year-after year.

Three series are available:

- Metallic Type 1 – ESW Series
- Non-Metallic Type 4X – PESW Series
- Metallic Type NEMA 7/9 - ESWX Series (page A-386)

WEG ESW and PESW starters are pre-wired from the factory and recommended for all single and three phase applications where magnetic starters can be applied.

### Standard Features

- High horsepower ratings in four compact sizes
- Fast acceleration and high initial torque
- Bimetallic Overload Relays – class 10
- Adjustable trip current
- Ambient temperature compensated
- Phase-loss sensitivity protection
- Selectable Manual or Automatic RESET
- Electrically isolated NO-NC auxiliary contacts
- Easy to install and setup

VFD's and  
Enclosed Motor  
Controls



Please refer to back cover for description of "NOTES"

For detailed specifications, data sheets, drawings and performance curves visit <http://www.weg.net>

## ESW Part Number Breakdown

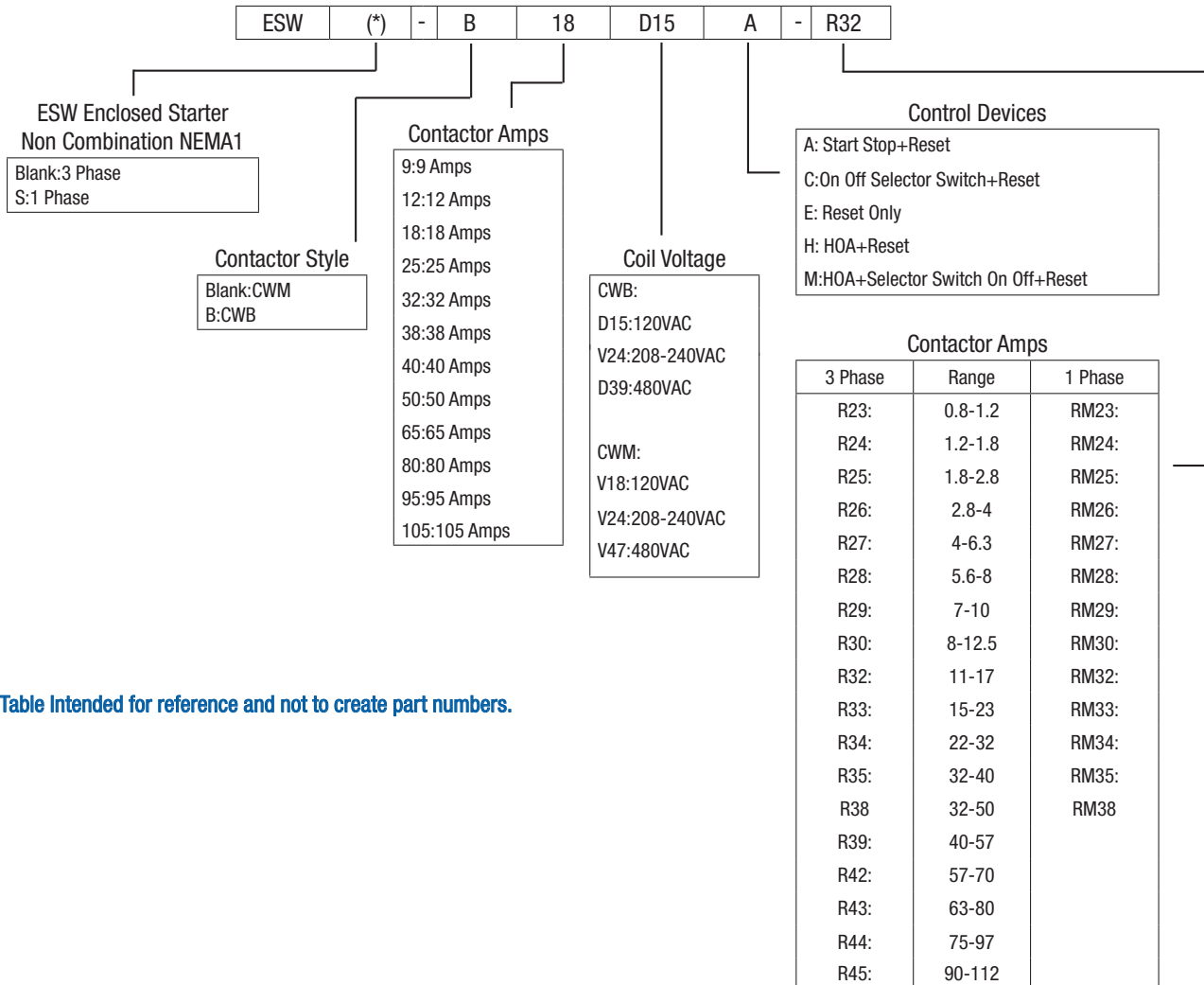


Table Intended for reference and not to create part numbers.

## NEMA 1 Enclosure – Three Phase

### ESW Series - Non-combination Across The Line Starter Three -Phase - Enclosure Type-1

Max. UL Horsepower				Box	Setting Range	Coil Voltage	RESET only		START/STOP + RESET		Multiplier
200V	230V	460V	575V				Catalog Number	List Price	Catalog Number	List Price	
-	-	1/2	1/2	M04	0.8 - 1.2	120	ESW-B9D15E-R23	\$157	ESW-B9D15A-R23	\$210	Z3
						208-240	ESW-B9V24E-R23		ESW-B9V24A-R23		
						480	ESW-B9D39E-R23		ESW-B9D39A-R23		
-	-	3/4	1	M04	1.2 - 1.8	120	ESW-B9D15E-R24	\$157	ESW-B9D15A-R24	\$210	
						208-240	ESW-B9V24E-R24		ESW-B9V24A-R24		
						480	ESW-B9D39E-R24		ESW-B9D39A-R24		
1/2	1/2	1	2	M04	1.8 - 2.8	120	ESW-B9D15E-R25	\$157	ESW-B9D15A-R25	\$210	
						208-240	ESW-B9V24E-R25		ESW-B9V24A-R25		
						480	ESW-B9D39E-R25		ESW-B9D39A-R25		
3/4	3/4	2	3	M04	2.8 - 4.0	120	ESW-B9D15E-R26	\$157	ESW-B9D15A-R26	\$210	
						208-240	ESW-B9V24E-R26		ESW-B9V24A-R26		
						480	ESW-B9D39E-R26		ESW-B9D39A-R26		
1	1-1/2	3	5	M04	4.0 - 6.3	120	ESW-B9D15E-R27	\$157	ESW-B9D15A-R27	\$210	
						208-240	ESW-B9V24E-R27		ESW-B9V24A-R27		
						480	ESW-B9D39E-R27		ESW-B9D39A-R27		
2	2	5	5	M04	5.6 - 8.0	120	ESW-B9D15E-R28	\$157	ESW-B9D15A-R28	\$210	
						208-240	ESW-B9V24E-R28		ESW-B9V24A-R28		
						480	ESW-B9D39E-R28		ESW-B9D39A-R28		
2	3	5	7-1/2	M04	7.0 - 10	120	ESW-B9D15E-R29	\$157	ESW-B9D15A-R29	\$210	
						208-240	ESW-B9V24E-R29		ESW-B9V24A-R29		
						480	ESW-B9D39E-R29		ESW-B9D39A-R29		
3	3	7-1/2	10	M04	8.0 - 12.5	120	ESW-B12D15E-R30	\$174	ESW-B12D15A-R30	\$227	
						208-240	ESW-B12V24E-R30		ESW-B12V24A-R30		
						480	ESW-B12D39E-R30		ESW-B12D39A-R30		
3	5	10	15	M04	11 - 17	120	ESW-B18D15E-R32	\$188	ESW-B18D15A-R32	\$241	
						208-240	ESW-B18V24E-R32		ESW-B18V24A-R32		
						480	ESW-B18D39E-R32		ESW-B18D39A-R32		
5	7-1/2	15	15	M04	15 - 23	120	ESW-B25D15E-R33	\$223	ESW-B25D15A-R33	\$276	
						208-240	ESW-B25V24E-R33		ESW-B25V24A-R33		
						480	ESW-B25D39E-R33		ESW-B25D39A-R33		
10	10	20	25	M04	22 - 32	120	ESW-B32D15E-R34	\$245	ESW-B32D15A-R34	\$298	
						208-240	ESW-B32V24E-R34		ESW-B32V24A-R34		
						480	ESW-B32D39E-R34		ESW-B32D39A-R34		
10	10	25	25	M04	32-40	120	ESW-B38D15E-R35	\$292	ESW-B38D15A-R35	\$345	
						208-240	ESW-B38V24E-R35		ESW-B38V24A-R35		
						480	ESW-B38D39E-R35		ESW-B38D39A-R35		
10	10	25	25	M06	32-40	120	ESW-40V18E-R35	\$292	ESW-40V18A-R35	\$345	
						208-240	ESW-40V24E-R35		ESW-40V24A-R35		
						480	ESW-40V47E-R35		ESW-40V47A-R35		
15	15	30	40	M06	32 - 50	120	ESW-50V18E-R38	\$350	ESW-50V18A-R38	\$403	
						208-240	ESW-50V24E-R38		ESW-50V24A-R38		
						480	ESW-50V47E-R38		ESW-50V47A-R38		
15	20	40	50	M06	40 - 57	120	ESW-65V18E-R39	\$375	ESW-65V18A-R39	\$428	
						208-240	ESW-65V24E-R39		ESW-65V24A-R39		
						480	ESW-65V47E-R39		ESW-65V47A-R39		
20	25	50	60	M06	57 - 70	120	ESW-80V18E-R41	\$421	ESW-80V18A-R41	\$474	
						208-240	ESW-80V24E-R41		ESW-80V24A-R41		
						480	ESW-80V47E-R41		ESW-80V47A-R41		
25	30	60	75	M08	63 - 80	120	ESW-95V18E-R43	\$876	ESW-95V18A-R43	\$929	
						208-240	ESW-95V24E-R43		ESW-95V24A-R43		
						480	ESW-95V47E-R43		ESW-95V47A-R43		
30	30	75	75	M08	75 - 97	120	ESW-105V18E-R44	\$975	ESW-105V18A-R44	\$1,028	
						208-240	ESW-105V24E-R44		ESW-105V24A-R44		
						480	ESW-105V47E-R44		ESW-105V47A-R44		
30	40	75	-	M08	90 - 112	120	ESW-105V18E-R45	\$975	ESW-105V18A-R45	\$1,028	
						208-240	ESW-105V24E-R45		ESW-105V24A-R45		
						480	ESW-105V47E-R45		ESW-105V47A-R45		

Notes:

- 1) Please contact your local WEG representative for starters with other control voltage.
- 2) 3-phase starters can be wired for single-phase applications (see page 241 for single phase conversion diagram)

Please refer to back cover for description of "NOTES"

For detailed specifications, data sheets, drawings and performance curves visit <http://www.weg.net>

VFDs and Enclosed Motor Controls



### NEMA 1 Enclosure – Single Phase

### ESW Series - Non-combination Across The Line Starter - Non Reversing Single Phase - Enclosure Type-1

Max. UL Horsepower		Box	Setting Range	Coil Voltage	RESET only		Start Stop Reset		Multiplier All Models
115V	230V				Catalog Number	List Price	Catalog Number	List Price	
-	-	M04	0.8-1.2	120	ESWS-B9D15E-RM23	\$135	ESWS-B9D15A-RM23	\$188	Z3
				208-240	ESWS-B9V24E-RM23		ESWS-B9V24A-RM23		
-	1/10	M04	1.2-1.8	120	ESWS-B9D15E-RM24	\$135	ESWS-B9D15A-RM24	\$188	
				208-240	ESWS-B9V24E-RM24		ESWS-B9V24A-RM24		
-	1/6	M04	1.8-2.8	120	ESWS-B9D15E-RM25	\$135	ESWS-B9D15A-RM25	\$188	
				208-240	ESWS-B9V24E-RM25		ESWS-B9V24A-RM25		
1/8	1/3	M04	2.8 - 4.0	120	ESWS-B9D15E-RM26	\$135	ESWS-B9D15A-RM26	\$188	
				208-240	ESWS-B9V24E-RM26		ESWS-B9V24A-RM26		
1/4	1/2	M04	4.0 - 6.3	120	ESWS-B9D15E-RM27	\$135	ESWS-B9D15A-RM27	\$188	
				208-240	ESWS-B9V24E-RM27		ESWS-B9V24A-RM27		
1/3	1	M04	5.6 - 8.0	120	ESWS-B9D15E-RM28	\$135	ESWS-B9D15A-RM28	\$188	
				208-240	ESWS-B9V24E-RM28		ESWS-B9V24A-RM28		
1/2	1-1/2	M04	7.0 - 10	120	ESWS-B9D15E-RM29	\$135	ESWS-B9D15A-RM29	\$188	
				208-240	ESWS-B9V24E-RM29		ESWS-B9V24A-RM29		
1/2	2	M04	8.0 - 12.5	120	ESWS-B12D15E-RM30	\$135	ESWS-B12D15A-RM30	\$227	
				208-240	ESWS-B12V24E-RM30		ESWS-B12V24A-RM30		
3/4	2	M04	10-15	120	ESWS-B18D15E-RM31	\$161	ESWS-B18D15A-RM31	\$241	
				208-240	ESWS-B18V24E-RM31		ESWS-B18V24A-RM31		
1	3	M04	11 - 17	120	ESWS-B18D15E-RM32	\$170	ESWS-B18D15A-RM32	\$241	
				208-240	ESWS-B18V24E-RM32		ESWS-B18V24A-RM32		
1-1/2	3	M04	15 -23	120	ESWS-B25D15E-RM33	\$180	ESWS-B25D15A-RM33	\$276	
				208-240	ESWS-B25V24E-RM33		ESWS-B25V24A-RM33		
2	5	M04	22 -32	120	ESWS-B32D15E-RM34	\$230	ESWS-B32D15A-RM34	\$276	
				208-240	ESWS-B32V24E-RM34		ESWS-B32V24A-RM34		
3	7-1/2	M04	32-40	120	ESWS-B38D15E-RM35	\$274	ESWS-B38D15A-RM35	\$327	
				208-240	ESWS-B38V24E-RM35		ESWS-B38V24A-RM35		
3	7-1/2	M06	25 - 40	120	ESWS-40V18E-RM35	\$274	ESWS-40V18A-RM35	\$351	
				208-240	ESWS-40V24E-RM35		ESWS-40V24A-RM35		
3	10	M06	32 - 50	120	ESWS-50V18E-RM38	\$330	ESWS-50V18A-RM38	\$423	
				208-240	ESWS-50V24E-RM38		ESWS-50V24A-RM38		

Notes: 1) OLR must be set at 115% of motor FLA

ESWS - Single-phase version - assembled with 2 pole contactor and 2 pole overload relays

VFDs and Enclosed Motor Controls

Please refer to back cover for description of "NOTES"

For detailed specifications, data sheets, drawings and performance curves visit <http://www.weg.net>

Data subject to change without notice.

Can't find what you are looking for? Call 1-800-ASK-4WEG (275-4934)

## Enclosed Starters - ESWS

### Field Mod Kits for ESW/ESWS Series

Description	Accessories		Field Kit Modifications		
	Structure		Catalog Number	List Price	Multiplier
	Top	Bottom			
No Pilot Device Metal Brackets - 2 x 22mm holes w/ plugs	PLUG	PLUG	<b>KESWPP</b>	<b>\$25</b>	Z3
Start / Stop Pushbutton	PLUG	START - STOP	<b>KESWPS</b>	<b>\$80</b>	
Hand-Off-Auto Selector Switch	HAND - OFF - AUTO	PLUG	<b>KESWHP</b>	<b>\$80</b>	
Off-On Selector Switch	OFF - ON	PLUG	<b>KESWFP</b>	<b>\$80</b>	
E-stop	PLUG	E-STOP	<b>KESWPE</b>	<b>\$80</b>	



KESWPP



KESWPS



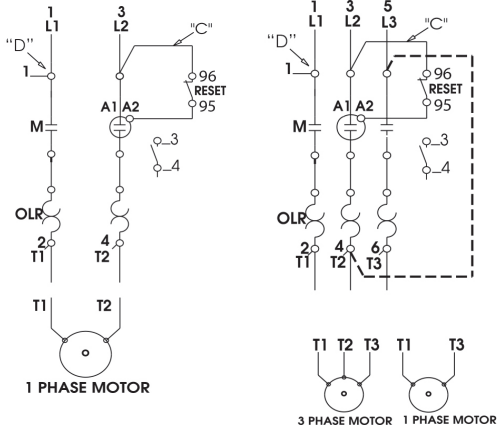
KESWHP



KESWFP

## WIRING DIAGRAM

### Single-phase Starter    Three-phase Starter



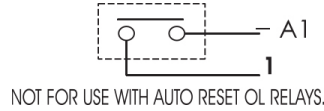
Conversion to single-phase, add jumper wire from L3 to T2 (follow dotted line connection above)

### Separate Control

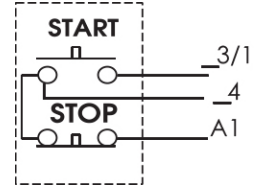
FOR SEPARATE CONTROL, REMOVE WIRES "C" AND "D" IF SUPPLIED AND CONNECT SEPARATE CONTROL LINES TO TERMINAL N° 96 ON THE OVERLOAD RELAY AND TO TERMINAL N° \_3 ON THE AUX. CONTACT BLOCK (FOR 3 WIRE CONTROL) OR TO THE CONTACTOR COIL N° A1 (FOR 2 WIRE CONTROL).

### Pilot Devices

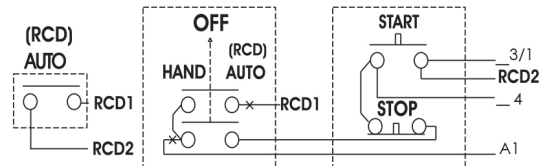
#### 2 Wire Control



#### 3 Wire Control



### Hand-Off Auto Wire Control (For ESW Series Only)



## DIMENSIONS

Provision for cable gland fitting	Standard			
	Top	Bottom	Side	Back
Box M04	2x (1/2" or 3/4")	2x (1/2" or 3/4")	4x (1/2" or 3/4")	2x (1/2" or 3/4")
	1x (3/4" or 1")	1x (3/4" or 1")	-	-
Box M06	1x (1/2" or 3/4")	1x (1/2" or 3/4")	3x (1/2" or 3/4")	-
	2x (1" or 1-1/4")	2x (1" or 1-1/4")	4x (1" or 1-1/4")	-
Box M08	1x (1")	1x (1")	1x (1")	1x (1")
	1x (1-1/2")	1x (1-1/2")	4x (3/4")	-

### Dimensions (approx. inches)

Enclosed Starters	Enclosure Size			
	BOX	H	W	D
ESW(S) 9, 12, 18, 25, 32	M04	9.5	5.5	5.0
ESW(S) 40, 50, 65, 80	M06	13.0	7.5	5.6
ESW 95, 105	M08	17.8	9.5	6.7



VFDs and Enclosed Motor Controls

## PESW Part Number Breakdown

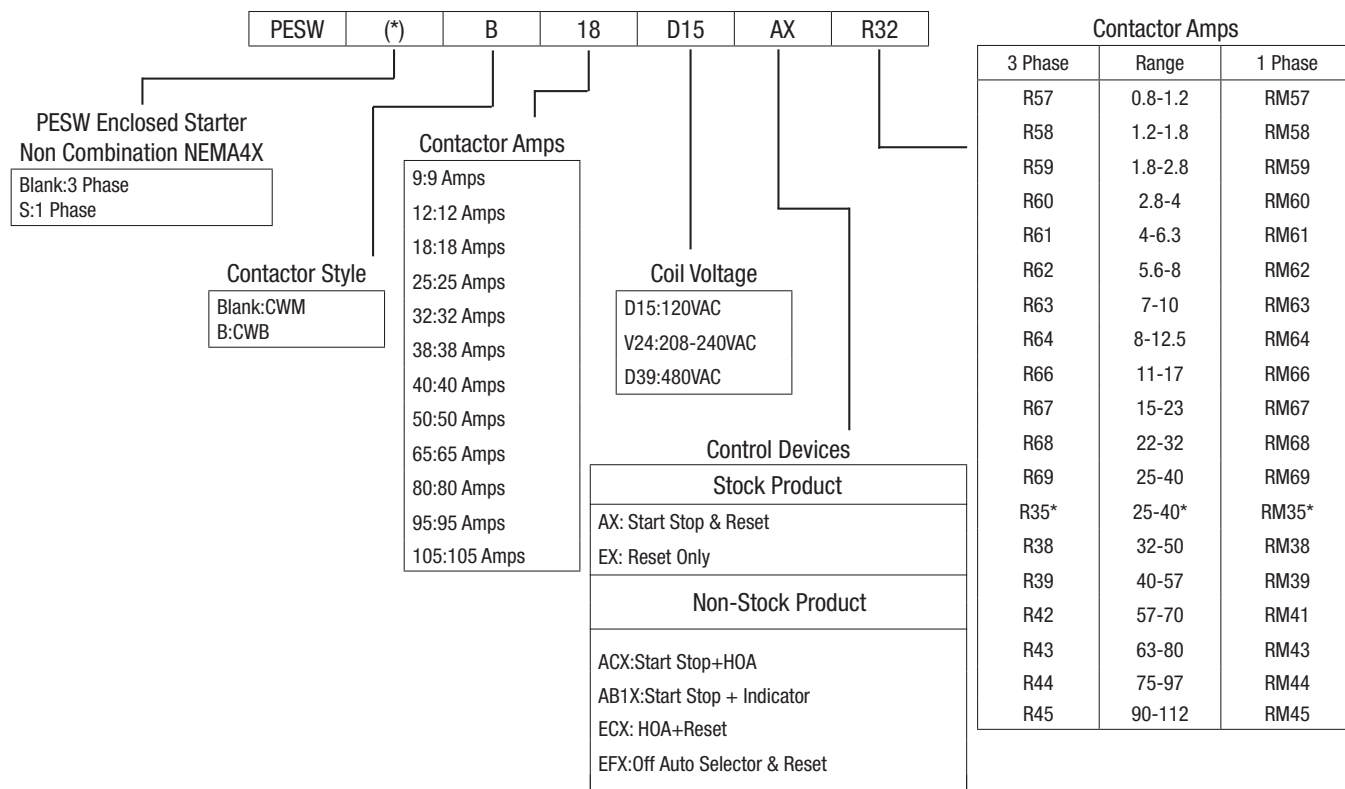


Table Intended for reference and not to create part numbers.



## PESW Series - Non-combination Across the line starter Three-Phase Enclosure Type - 4X



Max. UL Horsepower				Box	Setting Range	Coil Voltage	RESET only		START/STOP + RESET		Multiplier
200V	230V	460V	575V				Catalog Number	List Price	Catalog Number	List Price	
-	-	1/2	1/2	05	0.8 - 1.2	120	PESW-B9D15EX-R57	\$157	PESW-B9D15AX-R57	\$210	
						208-240	PESW-B9V24EX-R57		PESW-B9V24AX-R57		
						480	PESW-B9D39EX-R57		PESW-B9D39AX-R57		
-	-	3/4	1	05	1.2 - 1.8	120	PESW-B9D15EX-R58	\$157	PESW-B9D15AX-R58	\$210	
						208-240	PESW-B9V24EX-R58		PESW-B9V24AX-R58		
						480	PESW-B9D39EX-R58		PESW-B9D39AX-R58		
1/2	1/2	1	2	05	1.8 - 2.8	120	PESW-B9D15EX-R59	\$157	PESW-B9D15AX-R59	\$210	
						208-240	PESW-B9V24EX-R59		PESW-B9V24AX-R59		
						480	PESW-B9D39EX-R59		PESW-B9D39AX-R59		
3/4	3/4	2	3	05	2.8 - 4.0	120	PESW-B9D15EX-R60	\$157	PESW-B9D15AX-R60	\$210	
						208-240	PESW-B9V24EX-R60		PESW-B9V24AX-R60		
						480	PESW-B9D39EX-R60		PESW-B9D39AX-R60		
1	1-1/2	3	5	05	4.0 - 6.3	120	PESW-B9D15EX-R61	\$157	PESW-B9D15AX-R61	\$210	
						208-240	PESW-B9V24EX-R61		PESW-B9V24AX-R61		
						480	PESW-B9D39EX-R61		PESW-B9D39AX-R61		
2	2	5	5	05	5.6 - 8.0	120	PESW-B9D15EX-R62	\$157	PESW-B9D15AX-R62	\$210	
						208-240	PESW-B9V24EX-R62		PESW-B9V24AX-R62		
						480	PESW-B9D39EX-R62		PESW-B9D39AX-R62		
2	3	5	7-1/2	05	7.0 - 10	120	PESW-B9D15EX-R63	\$157	PESW-B9D15AX-R63	\$210	
						208-240	PESW-B9V24EX-R63		PESW-B9V24AX-R63		
						480	PESW-B9D39EX-R63		PESW-B9D39AX-R63		
3	3	7-1/2	10	05	8.0 - 12.5	120	PESW-B12D15EX-R64	\$174	PESW-B12D15AX-R64	\$227	
						208-240	PESW-B12V24EX-R64		PESW-B12V24AX-R64		
						480	PESW-B12D39EX-R64		PESW-B12D39AX-R64		
3	5	10	15	05	11 - 17	120	PESW-B18D15EX-R66	\$188	PESW-B18D15AX-R66	\$241	
						208-240	PESW-B18V24EX-R66		PESW-B18V24AX-R66		
						480	PESW-B18D39EX-R66		PESW-B18D39AX-R66		
5	7-1/2	15	15	05	15 - 23	120	PESW-B25D15EX-R67	\$223	PESW-B25D15AX-R67	\$276	
						208-240	PESW-B25V24EX-R67		PESW-B25V24AX-R67		
						480	PESW-B25D39EX-R67		PESW-B25D39AX-R67		
10	10	20	25	06	22 - 32	120	PESW-B32D15EX-R68	\$262	PESW-B32D15AX-R68	\$298	
						208-240	PESW-B32V24EX-R68		PESW-B32V24AX-R68		
						480	PESW-B32D39EX-R68		PESW-B32D39AX-R68		
10	10	25	25	06	25-40	120	PESW-B38D15EX-R69	\$321	PESW-B38D15AX-R69	\$345	
						208-240	PESW-B38V24EX-R69		PESW-B38V24AX-R69		
						480	PESW-B38D39EX-R69		PESW-B38D39AX-R69		

Z3

VFDs and Enclosed Motor Controls

continued on next page

Please refer to back cover for description of "NOTES"

For detailed specifications, data sheets, drawings and performance curves visit <http://www.weg.net>

Data subject to change without notice.

Can't find what you are looking for? Call 1-800-ASK-4WEG (275-4934)

PESW

PESW Series - Non-combination Across the line starter - continued

Three-Phase Enclosure Type - 4X

Max. UL Horsepower				Box	Setting Range	Coil Voltage	RESET only		START/STOP + RESET		Multiplier
200V	230V	460V	575V				Catalog Number	List Price	Catalog Number	List Price	
10	10	25	25	06	25 - 40	120	PESW-40V18EX-R35	\$321	PESW-40V18AX-R35	\$345	Z3
						208-240	PESW-40V24EX-R35		PESW-40V24AX-R35		
						480	PESW-40V47EX-R35		PESW-40V47AX-R35		
15	15	30	40	08	32 - 50	120	PESW-50V18EX-R38	\$564	PESW-50V18AX-R38	\$579	
						208-240	PESW-50V24EX-R38		PESW-50V24AX-R38		
						480	PESW-50V47EX-R38		PESW-50V47AX-R38		
15	20	40	50	08	40 - 57	120	PESW-65V18EX-R39	\$589	PESW-65V18AX-R39	\$604	
						208-240	PESW-65V24EX-R39		PESW-65V24AX-R39		
						480	PESW-65V47EX-R39		PESW-65V47AX-R39		
20	25	50	60	08	57 - 70	120	PESW-80V18EX-R41	\$635	PESW-80V18AX-R41	\$650	
						208-240	PESW-80V24EX-R41		PESW-80V24AX-R41		
						480	PESW-80V47EX-R41		PESW-80V47AX-R41		
25	30	60	75	10	63 - 80	120	PESW-95V18EX-R43	\$1,085	PESW-95V18AX-R43	\$1,100	
						208-240	PESW-95V24EX-R43		PESW-95V24AX-R43		
						480	PESW-95V47EX-R43		PESW-95V47AX-R43		
30	30	75	75	10	75 - 97	120	PESW-105V18EX-R44	\$1,184	PESW-105V18AX-R44	\$1,199	
						208-240	PESW-105V24EX-R44		PESW-105V24AX-R44		
						480	PESW-105V47EX-R44		PESW-105V47AX-R44		
30	40	75	-	10	90 - 112	120	PESW-105V18EX-R45	\$1,184	PESW-105V18AX-R45	\$1,199	
						208-240	PESW-105V24EX-R45		PESW-105V24AX-R45		
						480	PESW-105V47EX-R45		PESW-105V47AX-R45		

**Notes:**

- 1) OLR must be set @115% of FLA
- 2) 3-phase starters with 120V coil are wired for separate control
- 3) 3-phase starters can be wired for single-phase applications (see diagram)

## PESW Series - Non-combination Across the line starter Single Phase- Enclosure Type-4X




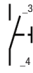
Max. UL Horsepower		Box	Setting Range	Coil Voltage	RESET only		START/STOP + RESET		Multiplier
115V	230V				Catalog Number	List Price	Catalog Number	List Price	
1/8	1/3	05	2.8 - 4.0	120	PESWS-B9D15EX-RM60	\$140	PESWS-B9D15AX-RM60	\$155	Z3
				208-240	PESWS-B9V24EX-RM60		PESWS-B9V24AX-RM60		
1/4	1/2	05	4.0 - 6.3	120	PESWS-B9D15EX-RM61	\$140	PESWS-B9D15AX-RM61	\$155	
				208-240	PESWS-B9V24EX-RM61		PESWS-B9V24AX-RM61		
1/3	1	05	5.6 - 8.0	120	PESWS-B9D15EX-RM62	\$140	PESWS-B9D15AX-RM62	\$155	
				208-240	PESWS-B9V24EX-RM62		PESWS-B9V24AX-RM62		
1/2	1-1/2	05	7.0 - 10	120	PESWS-B9D15EX-RM63	\$140	PESWS-B9D15AX-RM63	\$155	
				208-240	PESWS-B9V24EX-RM63		PESWS-B9V24AX-RM63		
1/2	2	05	8.0 - 12.5	120	PESWS-B12D15EX-RM64	\$140	PESWS-B12D15AX-RM64	\$155	
				208-240	PESWS-B12V24EX-RM64		PESWS-B12V24AX-RM64		
3/4	2	05	10 - 15	120	PESWS-B18D15EX-RM65	\$161	PESWS-B18D15AX-RM65	\$170	
				208-240	PESWS-B18V24EX-RM65		PESWS-B18V24AX-RM65		
1	3	05	11 - 17	120	PESWS-B18D15EX-RM66	\$170	PESWS-B18D15AX-RM66	\$182	
				208-240	PESWS-B18V24EX-RM66		PESWS-B18V24AX-RM66		
1-1/2	3	05	15 - 23	120	PESWS-B25D15EX-RM67	\$180	PESWS-B25D15AX-RM67	\$195	
				208-240	PESWS-B25V24EX-RM67		PESWS-B25V24AX-RM67		
2	5	05	22 - 32	120	PESWS-B32D15EX-RM68	\$180	PESWS-B32D15AX-RM68	\$195	
				208-240	PESWS-B32V24EX-RM68		PESWS-B32V24AX-RM68		
3	7-1/2	05	32-40	120	PESWS-B38D15EX-RM69	\$274	PESWS-B38D15AX-RM69	\$300	
				208-240	PESWS-B38V24EX-RM69		PESWS-B38V24AX-RM69		
3	7-1/2	06	25 - 40	120	PESWS-40V18EX-RM35	\$274	PESWS-40V18AX-RM35	\$300	
				208-240	PESWS-40V24EX-RM35		PESWS-40V24AX-RM35		
3	10	08	32 - 50	120	PESWS-50V18EX-RM38	\$430	PESWS-50V18AX-RM38	\$440	
				208-240	PESWS-50V24EX-RM38		PESWS-50V24AX-RM38		

Note: OLR must be set at 115% of motor FLA

### Accessories - Mounting in Control Stations

#### Contact Block

#### Replacement Base Mount Contact Blocks for PESWS(B) 9-38

 0.015 kg <sup>3)</sup>	Description	Contacts	Diagram	Standard packing	Catalog Number	Price	Multiplier
	Single contact blocks to mounting in control stations or DIN rail 35 mm	1NO		1 piece	BC10B-CSW	\$5.00	Z5

VFDs and Enclosed Motor Controls

Please refer to back cover for description of "NOTES"

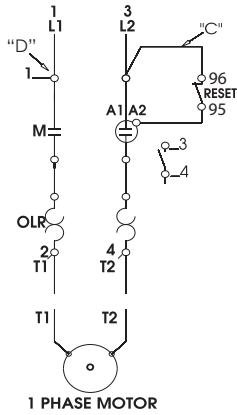
For detailed specifications, data sheets, drawings and performance curves visit <http://www.weg.net>

Data subject to change without notice.

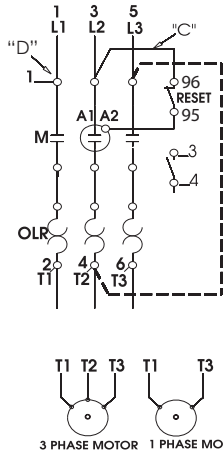
PESW

## WIRING DIAGRAM

### Single-phase Starter



### Three-phase Starter



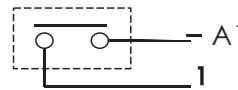
Conversion to single-phase, add jumper wire from L3 to T2 (follow dotted line connection above)

### Separate Control

FOR SEPARATE CONTROL, REMOVE WIRES "C" AND "D" IF SUPPLIED AND CONNECT SEPARATE CONTROL LINES TO TERMINAL Nº 96 ON THE OVERLOAD RELAY AND TO TERMINAL Nº \_3 ON THE AUX. CONTACT BLOCK (FOR 3 WIRE CONTROL) OR TO THE CONTACTOR COIL Nº A1 (FOR 2 WIRE CONTROL).

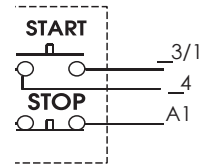
### Pilot Devices

#### 2 Wire Control



NOT FOR USE WITH AUTO RESET OL RELAYS.

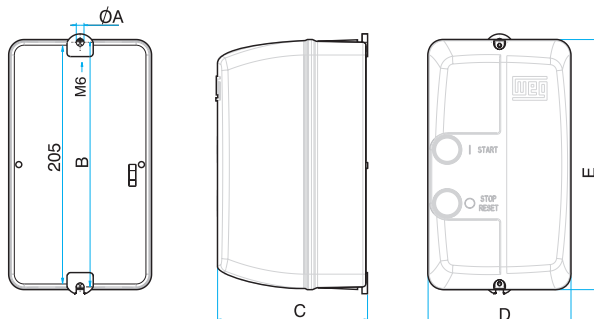
#### 3 Wire Control



## DIMENSIONS

SIZE 05 mm(in)	SIZE 06 mm (in)	SIZE 08 mm (in)	SIZE 10 mm (in)
øA = 5.5 (0.2165)	øA = 6.5 (0.3)	øA = 6.0 (0.2)	øA = 7.0 (0.3)
B = 219.0 (8.622)	B = 205 (8.1)	B = 275 (10.8)	B = 355 (14.0)
C = 112 (4.4331)	C = 126 (5.0)	C = 143 (5.6)	C = 167 (6.6)
D = 114.0 (4.4882)	D = 120 (4.7)	D = 180 (7.1)	D = 250 (9.9)
E = 217 ( 8.544)	E = 210 (8.3)	E = 280 (11.0)	E = 360 (14.2)

Provision for cable gland fitting	Standard		
	Top	Bottom	Back
Size 05	2 x 1/2" - 3/4" PG13.5	2 x 1/2" - 3/4" PG13.5	4 X 1/2" PG13.5
Size 06		2 x 1/2" and 3/4"	ø22mm (0.9in)
Size 08	2 x 3/4" and 1"	2 x 3/4" and 1"	-
Size 10	2 x 3/4" and 1"	2 x 3/4" and 1"	-
	1 x 1" and 1 1/4"	1 x 1" and 1 1/4"	-



For wall mounting on starters size 08 and 10, four screws with the following characteristics should be used:

- Pan, dome or rounded shaped head;
- Starter size 08:
  - Screws size 1/4 (or M6 – ISO Standard);
  - Dimensions: diameter thread shall be maximum 1/4 in and diameter head shall be maximum 15/64 in.
- Starter size 10:
  - Screws size 1/2 (or M5 – ISO Standard);
  - Dimensions: diameter thread shall be maximum 0.236 in and diameter head shall be maximum 0.394 in.

Please refer to back cover for description of "NOTES"

For detailed specifications, data sheets, drawings and performance curves visit <http://www.weg.net>

### ESWC Series Combination Starters Type C with CPT

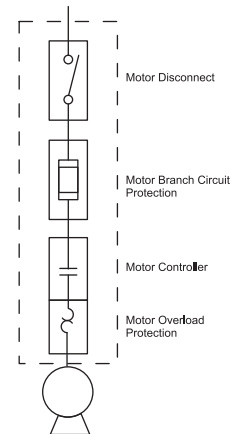
High performance and optimized solutions for motor starting and control. WEG offers full voltage non-reversing combination starters, ESWC series, up to 250 HP at 460VAC (300A) with control power transformers for three-phase applications.



### Standard Features

- Multi-Rated Enclosure Type: 1/3R/4/12
- Multi-Voltage Transformer: primary 208V/230V/460V – secondary 120V
- Branch Disconnect: rotary through-the-door handle
- Short-Circuit Protection: molded case circuit breaker
- Motor Control: magnetic IEC contactor
- Overload Protection: solid-state overload relay
  - \*Selectable trip class 10, 20, 30
  - \*(5:1) ratio adjustable current setting
- Standard Control Devices: START, STOP and RESET pushbuttons
- Custom control options available upon request

UL Combination Starter Type	Device Used for Component Function			
	Motor Disconnect	Motor Branch Circuit Protection	Motor Controller	Motor OL Relay
C	UL489 Inverse Time Circuit Breaker	IEC Contactor	Solid-State Overload Relay	



Types A through D combination starters

ESWC

## ESWC Series - Combination Type-C Across The Line Starter

**THREE-PHASE with Control Power Transformer**

- Branch Disconnect: Rotary through-the-door Handle
- Short-Circuit Protection: Molded Case Circuit Breaker
- Motor Control: Magnetic Contactor
- Overload Protection: Solid State Overload Relay
- Control Devices: Start-Stop and Reset pushbutton
- Other enclosure options available on request

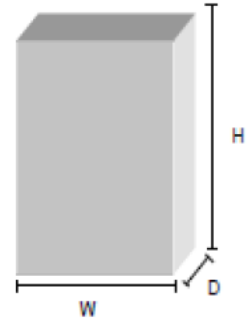
ESWC Series - Combination Type-C Across The Line Starter with CPT

Motor HP Range (HP)	Overload Range (A)	FEEDER VOLTAGE	Metallic Enclosure Type 1/3R/4/12			Multiplier
			Catalog Number	List Price	Box Size	
0.5 - 1.5	1.6-8.0	208VAC	ESWC-9TM1A9-RE2	\$2,020	B-1	Z3
0.5 - 2		240VAC				
0.75 - 5		480VAC				
1 - 5		600VAC				
1.5 - 3	5.0-25.0	208VAC	ESWC-12TM1A9-RE3	\$2,020	B-1	
1.5 - 3		240VAC				
5 - 7.5		480VAC				
5 - 10		600VAC				
3 - 5	5.0-25.0	208VAC	ESWC-18TM1A9-RE3	\$2,070	B-1	
3 - 5		240VAC				
7.5 - 10		480VAC				
10 - 15		600VAC				
5 - 7.5	8.0-40.0	208VAC	ESWC-25TM1A9-RE4	\$2,070	B-1	
5 - 7.5		240VAC				
7.5 - 15		480VAC				
15 - 20		600VAC				
7.5 - 10	8.0-40.0	208VAC	ESWC-38TM1A9-RE4	\$2,255	B-1	
7.5 - 10		240VAC				
15 - 25		480VAC				
20 - 30		600VAC				
10 - 20	28-112	208VAC	ESWC-65TM1A9-RE6	\$2,552	B-1	
10 - 20		240VAC				
25 - 40		480VAC				
30 - 60		600VAC				ESWC-65T5A9-RE6
20 - 30	28-112	208VAC	ESWC105TM1A9-RE6	\$3,355	B-2	
20 - 30		240VAC				
40 - 75		480VAC				
50 - 100		600VAC				ESWC-105T5A9-RE6
30 - 50	50-250	208VAC	ESWC-150TM1A9-RE7	\$5,400	B-3	
30 - 50		240VAC				
75 - 125		480VAC				
75 - 150		600VAC				ESWC-150T5A9-RE7
50 - 60	50-250	208VAC	ESWC-180TM1A9-RE7	\$6,440	B-3	
50 - 60		240VAC				
100 - 150		480VAC				
125 - 175		600VAC				ESWC-180T5A9-RE7
60 - 100	85-420	208VAC	ESWC-300TM1A9-RE8	\$7,500	B-3	
60 - 125		240VAC				
150 - 250		480VAC				
175 - 300		600VAC				ESWC-150T5A9-RE8

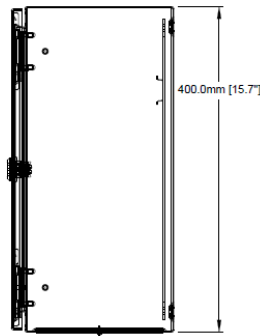
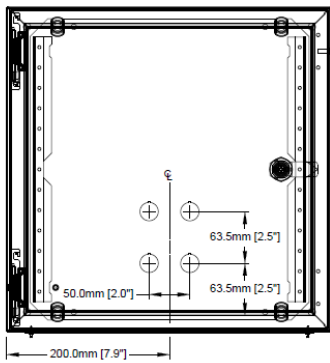
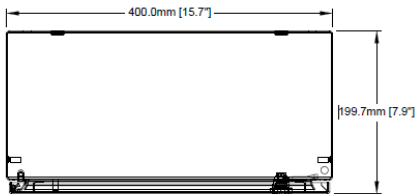
VFDs and Enclosed Motor Controls

### Dimensions (in) - ESWC Series

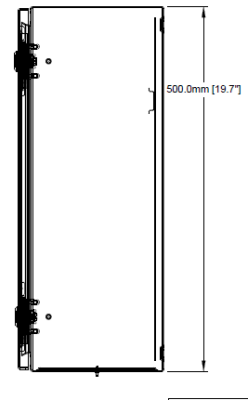
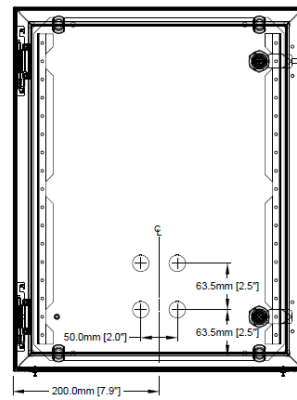
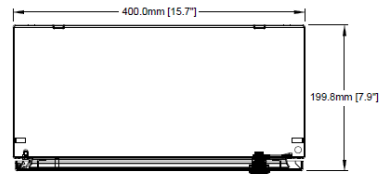
Enclosure Size	Dimensions (in/mm)		
	H	W	D
B1	15.75"/400mm	15.75"/400mm	7.87"/200mm
B2	19.69"/500mm	15.75"/400mm	7.87"/200mm
B3	31.5"/800mm	23.6"/600mm	11.8"/300mm



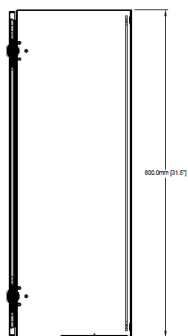
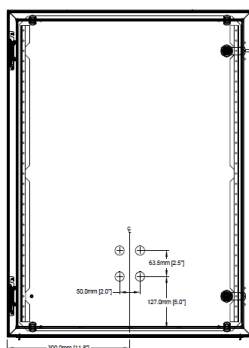
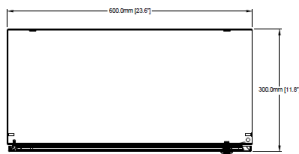
#### B1 Enclosure



#### B2 Enclosure



#### B3 Enclosure



ESWE

## ESWE Series Combination Starters Type E with/without CPT

High performance and optimized solutions for motor starting and control. WEG offers full voltage non-reversing combination starters, ESWE series, up to 20 HP at 460VAC (40A) with or without control power transformers for three-phase applications.

### Standard Features

- Standard Enclosure Type: non-metallic 4X
- Control Power Transformer: with or without
  - \*CPT primary 575V – secondary 120V
  - \*CPT primary 480V/240V – secondary 120V
- Branch Disconnect: rotary through-the-door handle
- Short-Circuit Protection: manual motor protection
- Motor Control: magnetic IEC contactor
- Overload Protection: manual motor protection
- Standard Control Devices: HAND-OFF-AUTO switch, START and STOP pushbuttons, pilot lights
- Custom enclosure and control options available upon request



UL Combination Starter Type	Device Used for Component Function			
	Motor Disconnect	Motor Branch Circuit Protection	Motor Controller	Motor OL Relay
E	UL508 Manual Self-Protected Combination Controller		IEC Contactor	UL508 Manual Self-Protected Combination Controller

VFDs and Enclosed Motor Controls



## Combination Type-E Across The Line Starter

- Branch Disconnect: Rotary through-the-door Handle
- Short-Circuit Protection: Manual Motor Protection
- Motor Control: Magnetic Contactor
- Overload Protection: Manual Motor Protection
- Control Devices: Hand-Off-Auto switch, Start-Stop pushbutton, pilot lights
- Other enclosure options available upon request

## Three-Phase without CPT - Enclosure Type-4X

### Combination Type-E Across The Line Starter

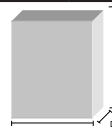
Max. 3-ph Hp Motors				Overload Setting Range (A)	Control Voltage (1) (Vac)	Non-Metallic Enclosure Type 4X			Multiplier
200V	230V	460V	575V			Catalog Number	List Price	Box Size	
-	-	1/2	1/2	0.63 - 1.0	120	ESWE-9V18KX-D05 ESWE-9V47KX-D05	\$855	E-1	Z3
					480				
1/4	1/3	3/4	1	1.0 - 1.6	120	ESWE-9V18KX-D06 ESWE-9V24KX-D06	\$855	E-1	
					480				
1/2	1/2	1-1/2	1-1/2	1.6 - 2.5	120	ESWE-9V18KX-D07 ESWE-9V24KX-D07	\$855	E-1	
					480				
3/4	1	2	3	2.5 - 4.0	120	ESWE-9V18KX-D08 ESWE-9V24KX-D08	\$855	E-1	
					480				
1-1/2	1-1/2	3	5	4.0 - 6.3	120	ESWE-9V18KX-D09 ESWE-9V24KX-D09	\$855	E-1	
					480				
3	3	5	7-1/2	6.3 - 10	120	ESWE-9V18KX-D10 ESWE-9V24KX-D10	\$865	E-1	
					480				
5	5	10	15	10 - 16	120	ESWE-18V18KX-D11 ESWE-18V24KX-D11	\$875	E-1	
					480				
7-1/2	7-1/2	15	15	16 - 20	120	ESWE-25V18KX-D12 ESWE-25V24KX-D12	\$900	E-1	
					480				
10	10	20	25	25 - 32	120	ESWE-40V18KX-D14 ESWE-40V24KX-D14	\$990	E-1	
					480				

## Three-Phase with CPT - Enclosure Type-4X

Max. 3-ph Hp Motors				Overload Setting Range (A)	Control Voltage (prim. / sec.) (Vac)	Non-Metallic Enclosure Type 4X			Multiplier
200V	230V	460V	575V			Catalog Number	List Price	Box Size	
-	-	1/2	1/2	0.63 - 1.0	480 / 120	ESWE-9T04KX-D05 ESWE-9T05KX-D05	\$1,140	E-1	Z3
					575 / 120				
1/4	1/3	3/4	1	1.0 - 1.6	240 / 120	ESWE-9T02KX-D06 ESWE-9T04KX-D06	\$1,140	E-1	
					480 / 120				
1/2	1/2	1-1/2	1-1/2	1.6 - 2.5	240 / 120	ESWE-9T02KX-D07 ESWE-9T04KX-D07	\$1,140	E-1	
					480 / 120				
3/4	1	2	3	2.5 - 4.0	240 / 120	ESWE-9T02KX-D08 ESWE-9T04KX-D08	\$1,140	E-1	
					480 / 120				
1-1/2	1-1/2	3	5	4.0 - 6.3	240 / 120	ESWE-9T02KX-D09 ESWE-9T04KX-D09	\$1,140	E-1	
					480 / 120				
3	3	5	7-1/2	6.3 - 10	240 / 120	ESWE-9T02KX-D10 ESWE-9T04KX-D10	\$1,140	E-1	
					480 / 120				
5	5	10	15	10 - 16	240 / 120	ESWE-18T02KX-D11 ESWE-18T04KX-D11	\$1,155	E-1	
					480 / 120				
7-1/2	7-1/2	15	15	16 - 20	240 / 120	ESWE-25T02KX-D12 ESWE-25T04KX-D12	\$1,175	E-1	
					480 / 120				
10	10	20	25	25 - 32	240 / 120	ESWE-40T02KX-D14 ESWE-40T04KX-D14	\$1,260	E-1	
					480 / 120				

**Notes:**

- (1) Please contact your local WEG representative for starters with 575V control voltage.
- (2) 3-phase starters with 120V coil are pre-wired for separate control
- (3) 3-phase starters can be wired for single-phase applications



Dimensions (inches)			
Box Size	Enclosure Size		
	H	W	D
E-1	14.2	9.9	6.6

VFDs and Enclosed Motor Controls

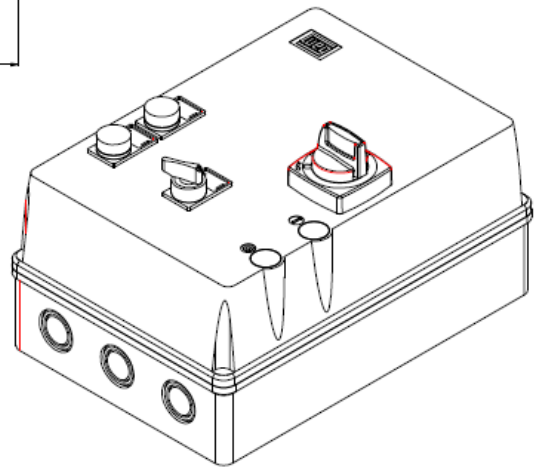
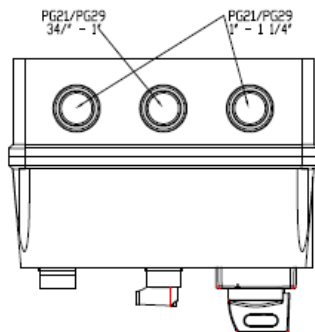
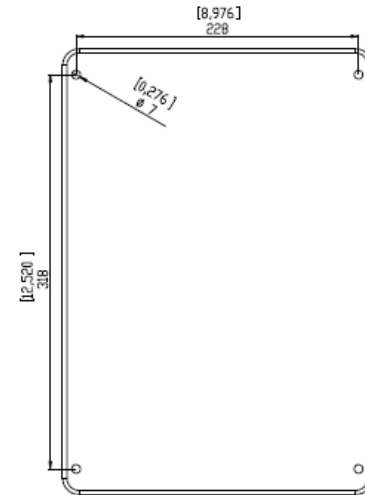
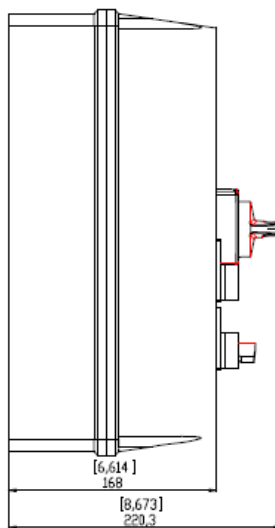
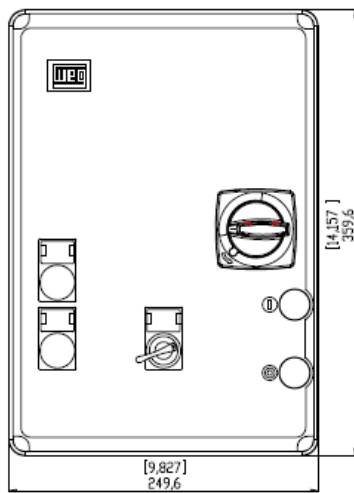
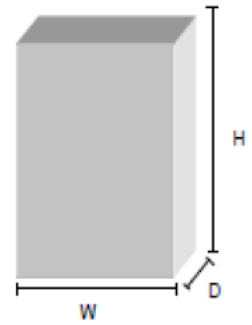
# Enclosed Motor Controls



ESWE

Dimensions (in) - ESWE Series

Enclosure Size	Dimensions (in/mm)		
	H	W	D
E-1	14.2	9.9	6.6



VFD's and  
Enclosed Motor  
Controls

## ESWF Series Combination Starters Type E with/without CPT

High performance and optimized solutions for motor starting and control. WEG offers full voltage non-reversing combination starters, ESWF series, up to 75 HP at 460VAC (105A) with or without control power transformers for three-phase applications.

### Standard Features

- Standard Enclosure Type: metallic type 4/12
- Control Power Transformer: with or without
  - \*CPT primary 575V – secondary 120V
  - \*CPT primary 480V/240V – secondary 120V
- Branch Disconnect: rotary through-the-door handle
- Short-Circuit Protection: manual motor protection
- Motor Control: magnetic IEC contactor
- Overload Protection: manual motor protection
- Standard Control Devices: HAND-OFF-AUTO switch, START and STOP pushbuttons
- Custom enclosure and control options available upon request



UL Combination Starter Type	Device Used for Component Function			
	Motor Disconnect	Motor Branch Circuit Protection	Motor Controller	Motor OL Relay
F	UL508 Manual Self-Protected Combination Controller		IEC Contattor	UL508 Manual Self-Protected Combination Controller

ESWF

## Combination Type-F Across The Line Starter

THREE-PHASE without Control Power Transformer

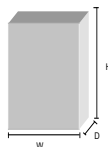
- Branch Disconnect: Rotary through-the-door Handle
- Short-Circuit Protection: Manual Motor Protection
- Motor Control: Magnetic Contactor
- Overload Protection: Manual Motor Protection
- Control Devices: Hand-Off-Auto switch, Start-Stop pushbutton
- Other enclosure options available upon request

## Combination Type-F Across The Line Starter with no CPT

Max. 3-ph Hp Motors				Overload Setting Range (A)	Control Voltage (1) (Vac)	Metallic Enclosure Type 4/12			Multiplier
200V	230V	460V	575V			Catalog Number	List Price	Box Size	
-	-	1/2	1/2	0.63 - 1.0	120	ESWF-9V18N4-D05	\$1,225	F-1	Z3
					480	ESWF-9V47N4-D05			
1/4	1/3	3/4	1	1.0 - 1.6	120	ESWF-9V18N4-D06	\$1,225	F-1	
					208-240	ESWF-9V24N4-D06			
					480	ESWF-9V47N4-D06			
1/2	1/2	1-1/2	1-1/2	1.6 - 2.5	120	ESWF-9V18N4-D07	\$1,225	F-1	
					208-240	ESWF-9V24N4-D07			
					480	ESWF-9V47N4-D07			
3/4	1	2	3	2.5 - 4.0	120	ESWF-9V18N4-D08	\$1,225	F-1	
					208-240	ESWF-9V24N4-D08			
					480	ESWF-9V47N4-D08			
1-1/2	1-1/2	3	5	4.0 - 6.3	120	ESWF-9V18N4-D09	\$1,225	F-1	
					208-240	ESWF-9V24N4-D09			
					480	ESWF-9V47N4-D09			
3	3	5	7 1/2	6.3 - 10	120	ESWF-9V18N4-D10	\$1,225	F-1	
					208-240	ESWF-9V24N4-D10			
					480	ESWF-9V47N4-D10			
5	5	10	15	10 - 16	120	ESWF-18V18N4-D11	\$1,300	F-1	
					208-240	ESWF-18V24N4-D11			
					480	ESWF-18V47N4-D11			
7-1/2	7-1/2	15	15	16 - 20	120	ESWF-25V18N4-D12	\$1,390	F-1	
					208-240	ESWF-25V24N4-D12			
					480	ESWF-25V47N4-D12			
10	10	20	25	25 - 32	120	ESWF-40V18N4-D14	\$1,470	F-2	
					208-240	ESWF-40V24N4-D14			
					480	ESWF-40V47N4-D14			
-	15	25	30	32 - 40	120	ESWF-50V18N4-D19	\$1,840	F-3	
					208-240	ESWF-50V24N4-D19			
					480	ESWF-50V47N4-D19			
15	15	30	40	40 - 50	120	ESWF-65V18N4-D20	\$1,920	F-3	
					208-240	ESWF-65V24N4-D20			
					480	ESWF-65V47N4-D20			
20	20	40	60	50 - 65	120	ESWF-80V18N4-D21	\$2,010	F-3	
					208-240	ESWF-80V24N4-D21			
					480	ESWF-80V47N4-D21			
20	25	50	60	55 - 75	120	ESWF-95V18N4-D22	\$2,150	F-3	
					208-240	ESWF-95V24N4-D22			
					480	ESWF-95V47N4-D22			
25	30	60	75	70 - 90	120	ESWF-95V18N4-D23	\$2,265	F-3	
					208-240	ESWF-95V24N4-D23			
					480	ESWF-95V47N4-D23			
30	30	75	100	80 - 100	120	ESWF-105V18N4-D24	\$2,435	F-3	
					208-240	ESWF-105V24N4-D24			
					480	ESWF-105V47N4-D24			

Notes:

- (1) Please contact your local WEG representative for starters with 575V control voltage.
- (2) 3-phase starters with 120V coil are pre-wired for separate control
- (3) 3-phase starters can be wired for single-phase applications



Dimensions (inches)			
Box Size	Enclosure Size		
	H	W	D
F-1	12	12	8
F-2	16	16	8
F-3	20	20	12

VFD's and Enclosed Motor Controls

### Combination Type-F Across The Line Starter

THREE-PHASE with Control Power Transformer

- Branch Disconnect: Rotary through-the-door Handle
- Short-Circuit Protection: Manual Motor Protection
- Motor Control: Magnetic Contactor
- Overload Protection: Manual Motor Protection
- Control Devices: Hand-Off-Auto switch, Start-Stop pushbutton, control transformer
- Other enclosure options available upon request

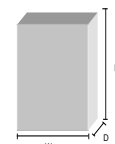
### ESWF Series - Combination Type-F Across The Line Starter with CPT

Max. 3-ph Hp Motors				Overload Setting Range (A)	Control Voltage (Vac)	Metallic Enclosure Type 4/12			Multiplier
200V	230V	460V	575V			Catalog Number	List Price	Box Size	
-	-	1/2	1/2	0.63 - 1.0	480 / 120	<a href="#">ESWF-9T04N4-D05</a>	\$1,325	F-1	Z3
					575 / 120				
1/4	1/3	3/4	1	1.0 - 1.6	240 / 120	<a href="#">ESWF-9T02N4-D06</a>	\$1,325	F-1	
					480 / 120	<a href="#">ESWF-9T04N4-D06</a>			
					575 / 120	<a href="#">ESWF-9T05N4-D06</a>			
1/2	1/2	1-1/2	1-1/2	1.6 - 2.5	240 / 120	<a href="#">ESWF-9T02N4-D07</a>	\$1,325	F-1	
					480 / 120	<a href="#">ESWF-9T04N4-D07</a>			
					575 / 120	<a href="#">ESWF-9T05N4-D07</a>			
3/4	1	2	3	2.5 - 4.0	240 / 120	<a href="#">ESWF-9T02N4-D08</a>	\$1,325	F-1	
					480 / 120	<a href="#">ESWF-9T04N4-D08</a>			
					575 / 120	<a href="#">ESWF-9T05N4-D08</a>			
1 1/2	1 1/2	3	5	4.0 - 6.3	240 / 120	<a href="#">ESWF-9T02N4-D09</a>	\$1,325	F-1	
					480 / 120	<a href="#">ESWF-9T04N4-D09</a>			
					575 / 120	<a href="#">ESWF-9T05N4-D09</a>			
3	3	5	7 1/2	6.3 - 10	240 / 120	<a href="#">ESWF-9T02N4-D10</a>	\$1,325	F-1	
					480 / 120	<a href="#">ESWF-9T04N4-D10</a>			
					575 / 120	<a href="#">ESWF-9T05N4-D10</a>			
5	5	10	15	10 - 16	240 / 120	<a href="#">ESWF-18T02N4-D11</a>	\$1,400	F-1	
					480 / 120	<a href="#">ESWF-18T04N4-D11</a>			
					575 / 120	<a href="#">ESWF-18T05N4-D11</a>			
7 1/2	7 1/2	15	15	16 - 20	240 / 120	<a href="#">ESWF-25T02N4-D12</a>	\$1,490	F-1	
					480 / 120	<a href="#">ESWF-25T04N4-D12</a>			
					575 / 120	<a href="#">ESWF-25T05N4-D12</a>			
10	10	20	25	25 - 32	240 / 120	<a href="#">ESWF-40T02N4-D14</a>	\$1,620	F-2	
					480 / 120	<a href="#">ESWF-40T04N4-D14</a>			
					575 / 120	<a href="#">ESWF-40T05N4-D14</a>			
-	15	25	30	32 - 40	240 / 120	<a href="#">ESWF-50T02N4-D14</a>	\$1,990	F-3	
					480 / 120	<a href="#">ESWF-50T04N4-D19</a>			
					575 / 120	<a href="#">ESWF-50T05N4-D19</a>			
15	15	30	40	40 - 50	240 / 120	<a href="#">ESWF-65T02N4-D20</a>	\$2,120	F-3	
					480 / 120	<a href="#">ESWF-65T04N4-D20</a>			
					575 / 120	<a href="#">ESWF-65T05N4-D20</a>			
20	20	40	60	50 - 65	240 / 120	<a href="#">ESWF-80T02N4-D21</a>	\$2,210	F-3	
					480 / 120	<a href="#">ESWF-80T04N4-D21</a>			
					575 / 120	<a href="#">ESWF-80T05N4-D21</a>			
20	25	50	60	55 - 75	240 / 120	<a href="#">ESWF-95T02N4-D22</a>	\$2,350	F-3	
					480 / 120	<a href="#">ESWF-95T04N4-D22</a>			
					575 / 120	<a href="#">ESWF-95T05N4-D22</a>			
25	30	60	75	70 - 90	240 / 120	<a href="#">ESWF-95T02N4-D23</a>	\$2,465	F-3	
					480 / 120	<a href="#">ESWF-95T04N4-D23</a>			
					575 / 120	<a href="#">ESWF-95T05N4-D23</a>			
30	30	75	100	80 - 100	240 / 120	<a href="#">ESWF-105T02N4-D24</a>	\$2,635	F-3	
					480 / 120	<a href="#">ESWF-105T04N4-D24</a>			
					575 / 120	<a href="#">ESWF-105T05N4-D24</a>			

**Notes:**

- (1) Please contact your local WEG representative for starters with other control voltage.
- (2) 3-phase starters can be wired for single-phase applications

Box Size	Enclosure Size		
	H	W	D
F-1	12	12	8
F-2	16	16	8
F-3	20	20	12



VFDs and Enclosed Motor Controls

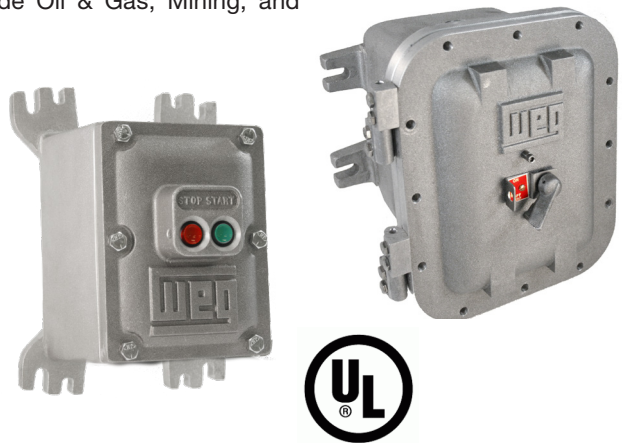
ESWX

## Motor Control for Hazardous Areas: Class I, Groups C & D - Class II, Groups E, F, G

WEG Explosion Proof Motors Starters are the perfect compliment for motor control in Hazardous and Industrial environments. Applications include Oil & Gas, Mining, and Chemical Processing industries.

### ESWX-M Series - Enclosed Manual Motor Starters

- High short-circuit interrupting rating – up to 50kA @ 480V
- Thermal overload protection Class 10
- Phase loss sensitivity protection
- Ambient temperature compensation -4°F +140°F (-20°C +60°C)
- Lockable rotary handle mechanism for disconnect
- Snap-in accessories
- Finger safe protected terminals
- Test trip feature
- Manual Motor Starters
- Suitable for motor disconnect applications
- UL Type-E self protected combination starter (available on request)



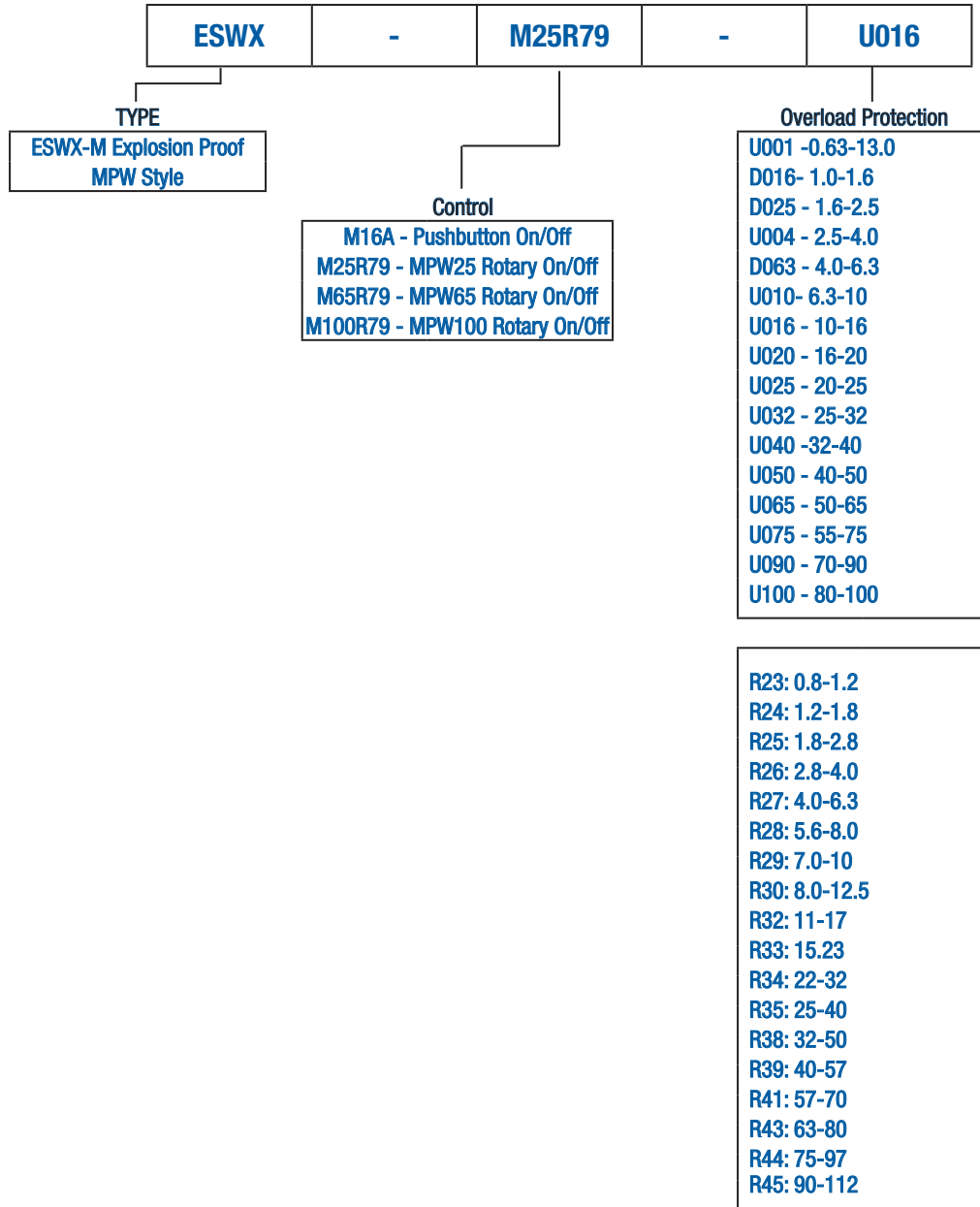
### ESWX Series - Enclosed Starters

- Copper free aluminum alloy body
- Bolted flange design
- Durable cast on lugs
- Watertight 'O' Rings for NEMA 4 applications
- Hinged door for easier access
- NEMA 7 / 9 housing
- Class I, Groups C & D - Class II, Groups E, F, G
- Starter includes contactor plus overload relay
- Start Stop Reset buttons (Standard)
- HOA or Pilot Light (optional)
- Available up to 75 hp @ 460 Vac – 100 amps
- NEMA rated starters available from size 00 to size 3 on request



*Custom units also available on request.*

## ESWX PART NUMBER BREAKDOWN



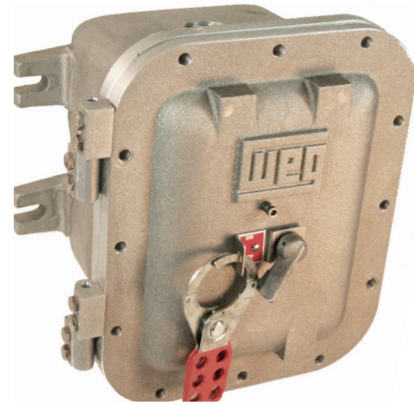
## ESWX

### Motor Control for Hazardous Areas: Class I, Groups C & D - Class II, Groups E, F, G

WEG Explosion Proof Motors Starters are the perfect compliment for motor control in Hazardous and Industrial environments. Applications include Oil & Gas, Mining, and Chemical Processing industries.

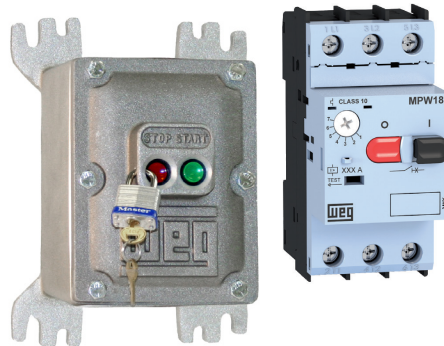
#### Enclosure Specifications

- Versatile mounting format
- Corrosion resistant, copper free aluminum alloy body
- Bolted flange design
- Durable cast on lugs
- Watertight 'O' Rings for NEMA 4X applications
- Lockout device on cover
- Rotary Handle units include hinged door for easier access
- NEMA 4X / 7 / 9 housing
- ON/OFF - Rotary Handle or Start/Stop - Push buttons
- Rotary Lockable handle
- Available up to 75 hp @ 460 Vac – 100 amps



#### Explosion Proof Manual Motor Starters ESWX-M16 Series

- Versatile mounting
- NEMA 4X / 7 / 9 housing
- Start & Stop /Reset pushbuttons
- Lockable in OFF position
- Available up to 10 hp @ 460 Vac – 16 amps



#### ESWX-M16 - PRODUCT SELECTION

Max 3 Phase UL HP			Thermal Setting	Short-Circuit interruption capacity		Catalog Number	List Price	Multiplier
Three Phase				[A]	480 Vac			
230V	460V	575V						
-	1/2	1/2	0.63 - 1.0	50kA	10kA	<a href="#">ESWX-M16A79-U001</a>	\$1,595	Z33
-	3/4	3/4	1.0 - 1.6	50kA	10kA	<a href="#">ESWX-M16A79-D016</a>	\$1,595	
1/2	1	1 1/2	1.6 - 2.5	50kA	10kA	<a href="#">ESWX-M16A79-D025</a>	\$1,595	
3/4	2	3	2.5 - 4.0	50kA	10kA	<a href="#">ESWX-M16A79-U004</a>	\$1,595	
1 1/2	3	5	4.0 - 6.3	50kA	10kA	<a href="#">ESWX-M16A79-D063</a>	\$1,595	
3	5	7 1/2	6.3 - 10	50kA	5kA	<a href="#">ESWX-M16A79-U010</a>	\$1,595	
5	10	10	10 - 16	30kA	5kA	<a href="#">ESWX-M16A79-U016</a>	\$1,595	



### M25 Series

- NEMA 4X / 7 / 9 housing
- Hinged Cover for easy access
- ON / OFF – Rotary Handle
- Lockable in OFF position
- Available up to 20 hp @ 460 Vac– 32 amps



### ESWX-M25 - PRODUCT SELECTION

Max 3 Phase UL HP			Thermal Setting [A]	Short-Circuit interruption capacity		Catalog Number	List Price	Multiplier
Three Phase				480 Vac	600 Vac			
230V	460V	575V						
-	1/2	1/2	0.63 - 1.0	50kA	25kA	ESWX-M25R79-U001	\$2,200	Z33
-	3/4	3/4	1.0 - 1.6	50kA	25kA	ESWX-M25R79-D016	\$2,200	
1/2	1	1 1/2	1.6 - 2.5	50kA	25kA	ESWX-M25R79-D025	\$2,200	
3/4	2	3	2.5 - 4.0	50kA	25kA	ESWX-M25R79-U004	\$2,200	
1 1/2	3	5	4.0 - 6.3	50kA	25kA	ESWX-M25R79-D063	\$2,200	
3	5	7 1/2	6.3 - 10	50kA	25kA	ESWX-M25R79-U010	\$2,200	
5	10	15	10 - 16	50kA	25kA	ESWX-M25R79-U016	\$2,200	
7 1/2	15	15	16 - 20	50kA	25kA	ESWX-M25R79-U020	\$2,200	
7 1/2	15	20	20 - 25	50kA	25kA	ESWX-M25R79-U025	\$2,200	
10	20	25	25 - 32	42kA	25kA	ESWX-M25R79-U032	\$2,200	

### ESWX-M65 Series

- NEMA 4X / 7 / 9 housing
- Hinged Cover for easy access
- ON / OFF – Rotary Handle
- Lockable in OFF position
- Available up to 50 hp @ 460 Vac – 65 amps

### ESWX-M65 - PRODUCT SELECTION

Max 3 Phase UL HP			Thermal Setting [A]	Short-Circuit interruption capacity		Catalog Number	List Price	Multiplier
Three Phase				480 Vac	600 Vac			
230V	460V	575V						
15	25	30	32 - 40	35kA	10kA	ESWX-M65R79-U040	\$2,600	Z33
15	30	40	40 - 50	35kA	10kA	ESWX-M65R79-U050	\$2,600	
20	50	60	50 - 65	35kA	10kA	ESWX-M65R79-U065	\$2,600	

### ESWX-M100 Series

- NEMA 4X / 7 / 9 housing
- Hinged Cover for easy access
- ON / OFF – Rotary Handle
- Lockable in OFF position
- Available up to 75 hp @ 460 Vac – 100 amps

### ESWX-M100 - PRODUCT SELECTION

Max 3 Phase UL HP			Thermal Setting [A]	Short-Circuit interruption capacity		Catalog Number	List Price	Multiplier
Three Phase				480 Vac	600 Vac			
230V	460V	575V						
25	50	60	55 - 75	50kA	10kA	ESWX-M100R79-U075	\$3,350	Z33
30	60	75	70 - 90	50kA	10kA	ESWX-M100R79-U090	\$3,350	
30	75	100	80 - 100	50kA	10kA	ESWX-M100R79-U100	\$3,350	

ESWX

## ACCESSORIES FOR MPW18 / 40 / 65 - Summary

Description	Catalog Number	List Price	Multiplier
<b>Auxiliary Contact Blocks</b>			
1NO&1NC auxiliary contact block front mounting - 250Vmax.	ACBF-11	\$20	Z4
1NO&1NC auxiliary contact block left side mounting - 600Vmax.	ACBS-11	\$22	
2NO Auxiliary contact block left side mounting - 600Vmax.	ACBS-20	\$22	
2NC Auxiliary contact block left side mounting - 600Vmax.	ACBS-02	\$22	
<b>Under Voltage and Shunt Block Releases</b>			
Shunt release block right side mounting - 20-24V 50/60Hz	SRMP D51	\$56	Z4
Shunt release block right side mounting - 100-127V 50/60Hz	SRMP D59	\$56	
Shunt release block right side mounting - 200-240V 50/60Hz	SRMP D65	\$56	
Under voltage release block right side mounting - 24V 60Hz	URMP D02	\$56	
Under voltage release block right side mounting - 120V 60Hz	URMP V18	\$56	
Under voltage release block right side mounting - 208V 60Hz	URMP V23	\$56	
Under voltage release block right side mounting - 240V 60Hz	URMP V30	\$56	
Under voltage release block right side mounting - 480V 60Hz	URMP V47	\$56	

## ACCESSORIES FOR MPW100 - Summary

Description	Catalog Number	List Price	Multiplier
<b>Auxiliary Contact Blocks</b>			
1NO&1NC auxiliary contact block front mounting - 250Vmax.	ACBF-11 MPW100	\$35	Z4
1NO&1NC auxiliary contact block left side mounting - 600Vmax.	ACBS-11 MPW100	\$27	
2NO Auxiliary contact block left side mounting - 600Vmax.	ACBS-20 MPW100	\$27	
2NC Auxiliary contact block left side mounting - 600Vmax.	ACBS-02 MPW100	\$27	
<b>Under Voltage and Shunt Block Releases</b>			
Shunt release block right side mounting - 120V 50/60Hz	ACBF-11 MPW100	\$35	Z4
Shunt release block right side mounting - 240-260V 60Hz	ACBS-11 MPW100	\$27	
Under voltage release block right side mounting - 120V 60Hz	ACBS-20 MPW100	\$27	
Under voltage release block right side mounting - 240V 60Hz	ACBS-02 MPW100	\$27	
Under voltage release block right side mounting - 460V 60Hz	URMP V43 MPW100	\$56	

### NEMA 7/9 Enclosure – Three Phase

- Motor Control: Magnetic Contactor
- Overload Protection: Thermal Overload Relay
- Control Devices: START STOP RESET Pushbuttons
  - H.O.A. and Pilot Lights available on request
- Cast Aluminum NEMA 7/9 housing with NEMA 4 gasket
  - Breather & Drain available on request



ESWX Series - Non-combination Across The Line Starter for use in Hazardous Areas  
ENCLOSURE TYPE NEMA 7/9

Max. UL 3 Phase Horsepower				Box	Setting Range	Coil Voltage	RESET only		START + STOP + RESET		Multiplier
200V	230V	460V	575V				Catalog Number	List Price	Catalog Number	List Price	
-	1/3	1/2	-	X04	0.8 - 1.2	120	ESWX-25V18E79-R23	\$3,250	ESWX-25V18A79-R23	\$3,850	Z33
						208-240	ESWX-25V24E79-R23		ESWX-25V24A79-R23		
						480	ESWX-25V47E79-R23		ESWX-25V47A79-R23		
-	-	1	1	X04	1.2 - 1.8	120	ESWX-25V18E79-R24	\$3,250	ESWX-25V18A79-R24	\$3,850	
						480	ESWX-25V47E79-R24		ESWX-25V47A79-R24		
						120	ESWX-25V18E79-R25		ESWX-25V18A79-R25		
1/2	3/4	1-1/2	2	X04	1.8 - 2.8	208-240	ESWX-25V24E79-R25	\$3,250	ESWX-25V24A79-R25	\$3,850	
						480	ESWX-25V47E79-R25		ESWX-25V47A79-R25		
						120	ESWX-25V18E79-R26		ESWX-25V18A79-R26		
1	1	2	3	X04	2.8 - 4.0	208-240	ESWX-25V24E79-R26	\$3,250	ESWX-25V24A79-R26	\$3,850	
						480	ESWX-25V47E79-R26		ESWX-25V47A79-R26		
						120	ESWX-25V18E79-R27		ESWX-25V18A79-R27		
1-1/2	1-1/2	3	5	X04	4.0 - 6.3	208-240	ESWX-25V24E79-R27	\$3,250	ESWX-25V24A79-R27	\$3,850	
						480	ESWX-25V47E79-R27		ESWX-25V47A79-R27		
						120	ESWX-25V18E79-R28		ESWX-25V18A79-R28		
2	2	5	-	X04	5.6 - 8.0	208-240	ESWX-25V24E79-R28	\$3,250	ESWX-25V24A79-R28	\$3,850	
						480	ESWX-25V47E79-R28		ESWX-25V47A79-R28		
						120	ESWX-25V18E79-R29		ESWX-25V18A79-R29		
3	3	-	7-1/2	X04	7.0 - 10	208-240	ESWX-25V24E79-R29	\$3,250	ESWX-25V24A79-R29	\$3,850	
						120	ESWX-25V18E79-R30		ESWX-25V18A79-R30		
						480	ESWX-25V47E79-R30		ESWX-25V47A79-R30		
-	-	7-1/2	10	X04	8.0 - 12.5	120	ESWX-25V18E79-R32	\$3,250	ESWX-25V18A79-R32	\$3,850	
						208-240	ESWX-25V24E79-R32		ESWX-25V24A79-R32		
						480	ESWX-25V47E79-R32		ESWX-25V47A79-R32		
5	5	10	15	X04	11 - 17	120	ESWX-25V18E79-R33	\$3,250	ESWX-25V18A79-R33	\$3,850	
						208-240	ESWX-25V24E79-R33		ESWX-25V24A79-R33		
						480	ESWX-25V47E79-R33		ESWX-25V47A79-R33		
7-1/2	7-1/2	15	-	X04	15 - 23	208-240	ESWX-25V24E79-R34	\$3,250	ESWX-25V24A79-R34	\$3,850	
						480	ESWX-25V47E79-R34		ESWX-25V47A79-R34		
						120	ESWX-40V18E79-R34		ESWX-40V18A79-R34		
10	10	20	25	X04	22 - 32	208-240	ESWX-40V24E79-R34	\$3,300	ESWX-40V24A79-R34	\$3,950	
						480	ESWX-40V47E79-R34		ESWX-40V47A79-R34		
						120	ESWX-40V18E79-R35		ESWX-40V18A79-R35		
10	15	30	-	X04	25 - 40	208-240	ESWX-40V24E79-R35	\$3,300	ESWX-40V24A79-R35	\$3,950	
						480	ESWX-40V47E79-R35		ESWX-40V47A79-R35		
						120	ESWX-80V18E79-R38		ESWX-80V18A79-R38		
15	15	30	40	X04	32 - 50	208-240	ESWX-80V24E79-R38	\$3,400	ESWX-80V24A79-R38	\$4,050	
						480	ESWX-80V47E79-R38		ESWX-80V47A79-R38		
						120	ESWX-80V18E79-R39		ESWX-80V18A79-R39		
20	20	40	50	X04	40 - 57	208-240	ESWX-80V24E79-R39	\$3,400	ESWX-80V24A79-R39	\$4,050	
						480	ESWX-80V47E79-R39		ESWX-80V47A79-R39		
						120	ESWX-80V18E79-R41		ESWX-80V18A79-R41		
-	25	50	60	X04	57 - 70	208-240	ESWX-80V24E79-R41	\$3,420	ESWX-80V24A79-R41	\$4,050	
						480	ESWX-80V47E79-R41		ESWX-80V47A79-R41		
						120	ESWX-105V18E79-R43		ESWX-105V18A79-R43		
25	30	60	75	X04	63 - 80	208-240	ESWX-105V24E79-R43	\$3,870	ESWX-105V24A79-R43	\$4,600	
						480	ESWX-105V47E79-R43		ESWX-105V47A79-R43		
						120	ESWX-105V18E79-R44		ESWX-105V18A79-R44		
30	-	75	-	X04	75 - 97	480	ESWX-105V47E79-R44	\$3,870	ESWX-105V47A79-R44	\$4,600	
						120	ESWX-105V18E79-R45		ESWX-105V18A79-R45		
						208-240	ESWX-105V24E79-R45		ESWX-105V24A79-R45		

**Notes:**

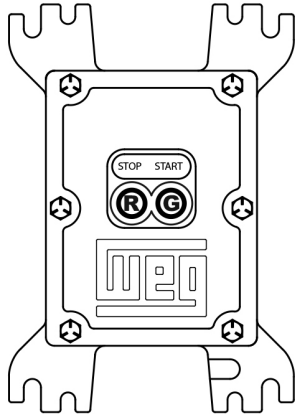
- 1) Overload Relay dial must be set with FLA of the motor
- 2) 3-phase starters with 120V coil are pre-wired for separate control
- 3) 3-phase starters can be wired for single-phase applications

Data subject to change without notice.

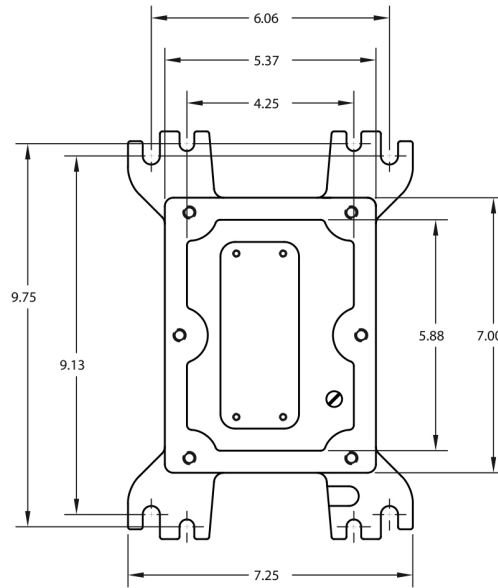
Can't find what you are looking for? Call 1-800-ASK-4WEG (275-4934)

ESWX

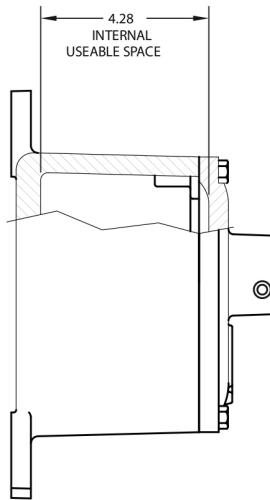
## Explosion Proof Manual Starters Dimensions (in) ESWX-M18



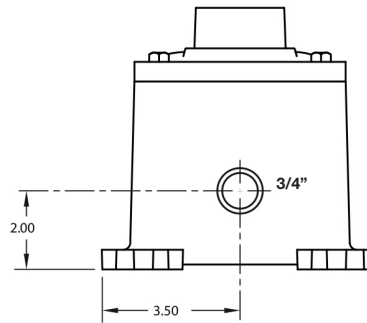
FRONT



FRONT  
(w/DOOR REMOVED )



4.28  
INTERNAL  
USEABLE SPACE



BOTTOM

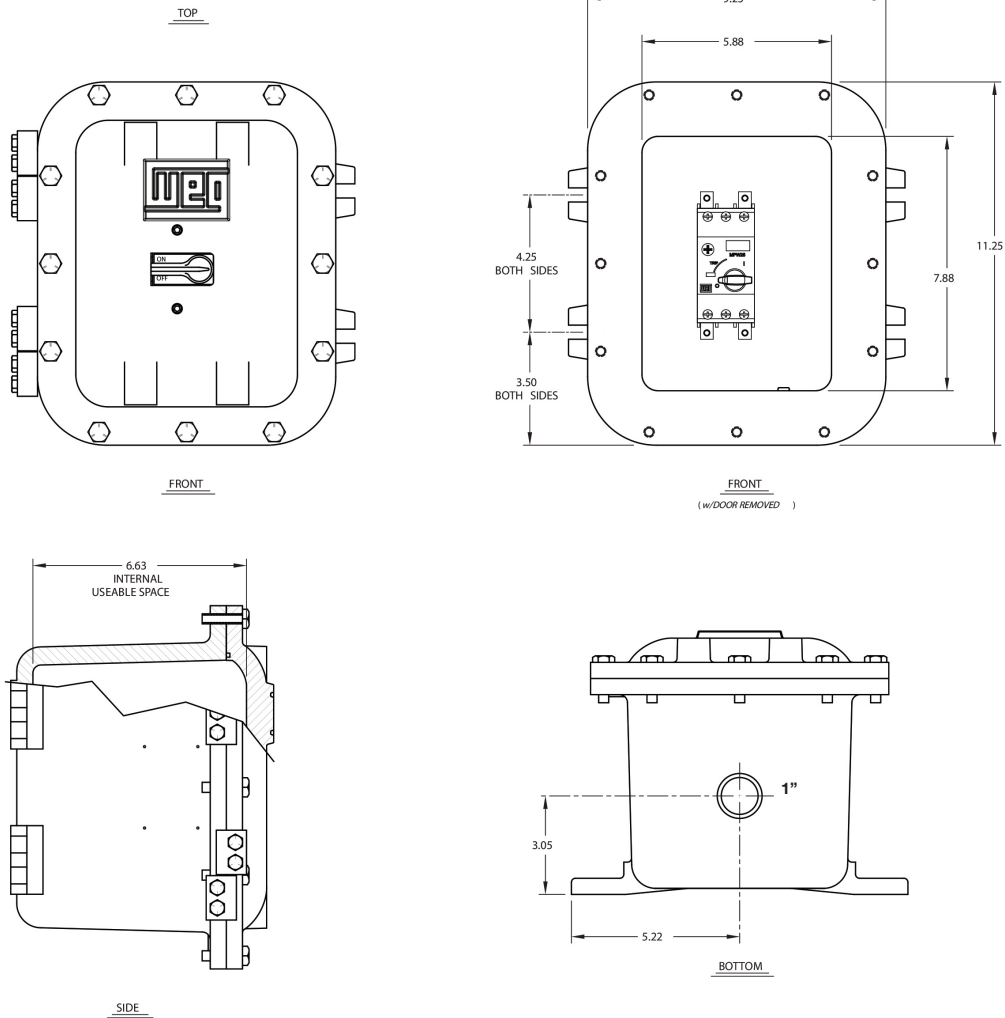
### Certifications

Class I, Groups C & D  
Class II, Groups E, F, & aG  
UL Standard 1203 (Classified)  
NEMA 7 (C&D), 9 (E, F, & G)

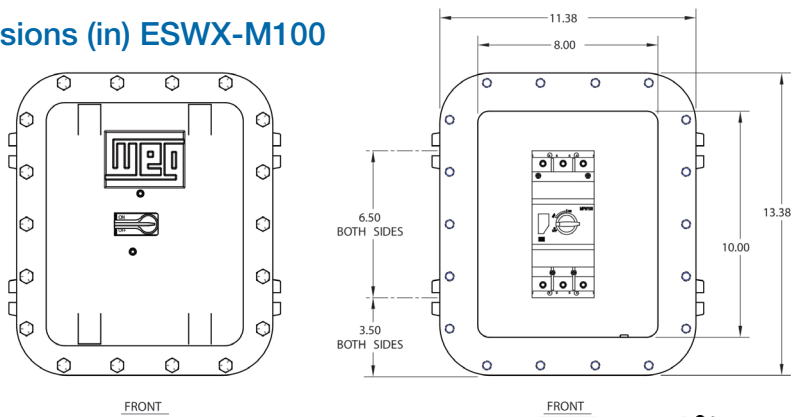


VFD's and  
Enclosed Motor  
Controls

## Explosion Proof Manual Starters Dimensions (in) ESWX-M40 and ESWX-M65



## Dimensions (in) ESWX-M100



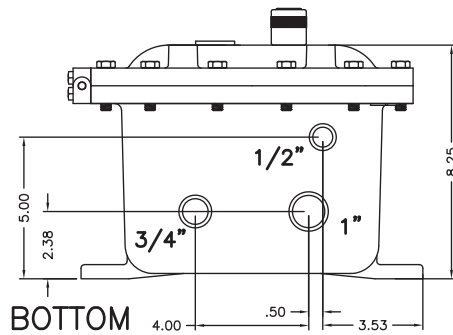
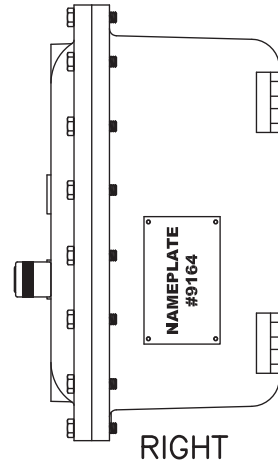
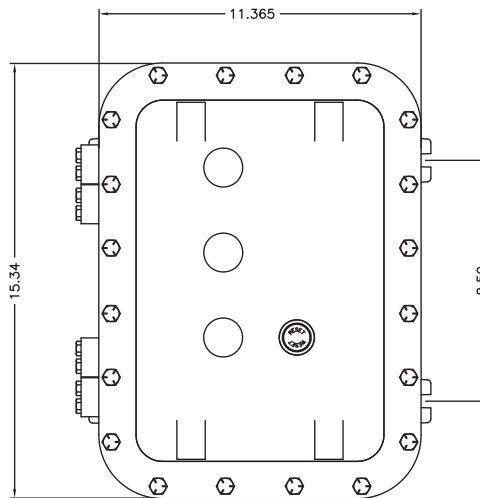
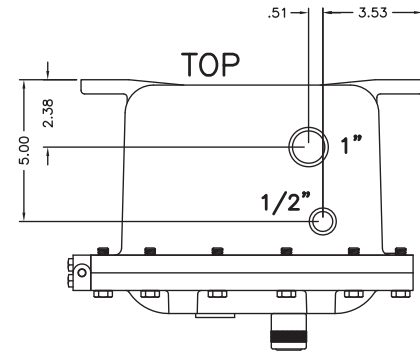
**Certifications**  
 Class I, Groups C & D  
 Class II, Groups E, F, & aG  
 UL Standard 1203 (Classified)  
 NEMA 7 (C&D), 9 (E, F, & G)

VFDs and  
 Enclosed Motor  
 Controls

# Enclosed Motor Controls



ESWX  
Explosion Proof Non-Combination Starters  
Dimensions (in) ESWX SERIES  
Type-NEMA 7/9 - Cast Aluminum Enclosure



VFD's and  
Enclosed Motor  
Controls



CUSTOM CONTROL PANELS
DATA WORKSHEET AND REQUEST FOR QUOTE

Table with 4 columns: REP\*, ASE\*, NEED QUOTE BY\*, TAM\*, TSS\*, REQUESTED SHIP DATE\*

1. CUSTOMER INFO:

2. SUPPORTING PRODUCT INFO:

Table with 4 columns: 1.1 COMPANY NAME, 1.2 CONTACT NAME, 1.3 CUSTOMER PHONE, 1.4 END USER NAME, 2.1 PRODUCT INFO\*, 2.1.A ENTER P/N

3. LOAD DATA:

4. POWER AND WIRING:

Table with 4 columns: 3.1 MOTOR HP\*, 3.2 MOTOR FLA\*, 3.3 SERVICE FACTOR, 3.4 OTHER LOAD DATA, 4.1 PHASE\*, 4.2 INCOMING VOLTAGE (V)\*, 4.3 FREQUENCY\*, 4.4 PORTABLE GENERATOR POWER?\*

5. APPLICATION & ENVIRONMENT:

Table with 4 columns: 5.1 STARTING METHOD\*, 5.1.A OTHER STARTING METHOD\*, 5.2 ENCLOSURE TYPE\* (METALIC TYPE 1, 12, ETC), 5.3 SPECIFY AMBIENT TEMPERATURE IF UNIT INSTALLED OUTDOORS, 5.4 SPECIFY ALTITUDE IF UNIT INSTALLED ABOVE 6,5000 FT, 5.5 REPLACING STANDARD NEMA SIZE?\*, 5.6 MAXIMUM NUMBER OF STARTS PER HOUR\*, 5.7 OTHER INFORMATION

6. CIRCUIT PROTECTION:

7. CONTROL CIRCUIT:

Table with 4 columns: 6.1 PROTECTIVE DEVICE\*, 6.1.A OTHER PROTECTIVE DEVICE, 7.1 COMMON CONTROL (SAME AS VOLTAGE TO MOTOR?)\*, 7.2 CPT REQUIRED?\*, 7.3 TRANSFORMER WITH EXTRA VA CAPACITY?\*

8. COVER MOUNTED 22mm DEVICES: (IF YES, ENTER QUANTITIES)

22MM RESET PBS ARE CONSIDERED BASED ON PANEL CONFIGURATION. IF RESET PBS ARE NOT NEEDED, PLEASE SPECIFY.

Table with 8 columns: 8.1 START/STOP PUSH BUTTON, 8.2 H-0-A SELECTOR SWITCH, 8.3 OFF-ON SELECTOR SWITCH, 8.4 RUN LIGHT, 8.5 POWER ON LIGHT, 8.6 E-STOP PUSH BUTTON, 8.7 OTHER (SPECIFY)

9. OTHER SPECIFICATIONS:

Large empty table for other specifications

\*REQUIRED FIELDS

WHEN COMPLETED, PLEASE CONTACT YOUR REGIONAL WEG SALES SPECIALIST AT 1-900-ASK-4WEG (275-4934) FOR DIRECTIONS ON SUBMITTAL FOR QUOTATION. WEG CAN HELP YOU COMPLETE ANY FURTHER PERTINENT INFORMATION TO QUOTE.

# SSW7000

WEG's SSW7000 medium voltage solid-state soft starter is an industrial general-purpose starter package for starting & protecting MV AC motors.

Designed to be rugged, reliable and safe, the SSW7000 is a simple and cost effective solution for demanding applications.

## Key Features & Advantages:

- 4160V & 2300V models in stock (NEMA 12 & NEMA 3R) up to 3000HP (higher voltages & powers available)
- Suitable for service entrance
- Motor protections active in both DOL & RUN modes eliminating the need for expensive motor protection relays for backup protection
- Pump control utilizes a specific algorithm for centrifugal pumps designed to minimize water hammer and pressure overshoots
- Soft PLC function with license-free software
- Flexible Torque Control (FTC) allows adjusting starting torque limit curve with 3 points (ideal for quadratic loads)
- Motor thermal protection via PT100 monitoring available (up to 8 channels)

## Accessories:

- PT100 monitoring (8x channels)
- Network communication modules
- FLASH memory module



## Features that make a difference:

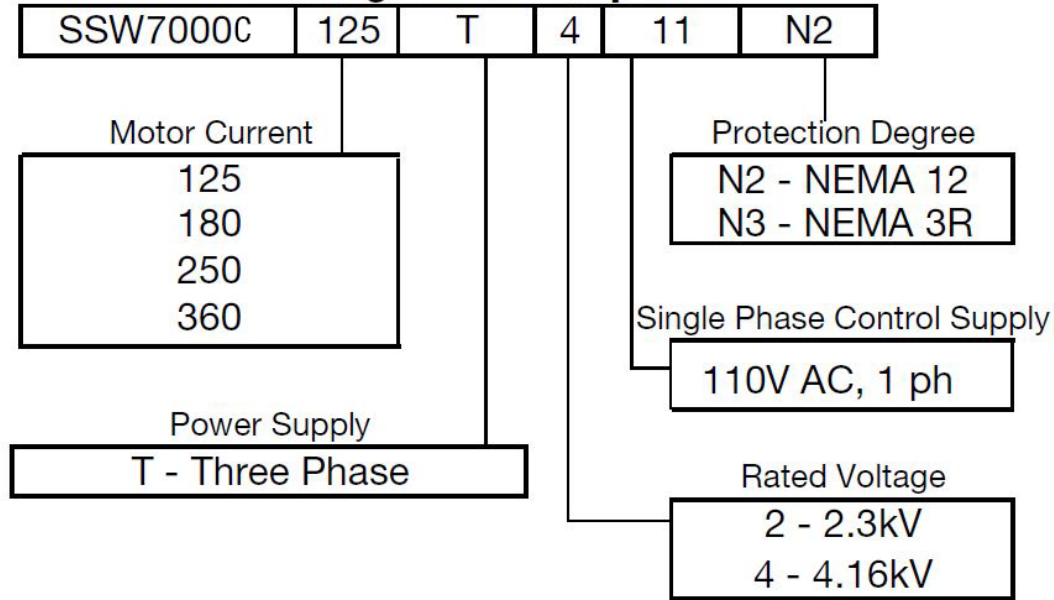
- Assembled and stocked in the US
- NEMA 12 & NEMA 3R enclosures available
- Emergency DOL start capability (ATL bypass)
- Oriented startup for easy commissioning
- UL 347 listed
- Ground fault monitoring standard





### Product Code

### SSW7000C Catalog Number Sequence



### Rating

Power Supply	Model	Rated Current	Motor Power		List Price	Multiplier
			HP*	kW		
<b>NEMA 12</b>						
2300V, 3PH, 60HZ	SSW7000C125T211N2	125A	550	410	\$55,750	E3
	SSW7000C180T211N2	180A	750	560	\$58,665	
	SSW7000C250T211N2	250A	1100	800	\$65,195	
	SSW7000C360T211N2	360A	1500	1100	\$67,430	
4160V, 3PH, 60HZ	SSW7000C125T411N2	125A	1000	750	\$63,950	
	SSW7000C180T411N2	180A	1500	1100	\$67,195	
	SSW7000C250T411N2	250A	2000	1500	\$75,235	
	SSW7000C360T411N2	360A	3000	2250	\$77,980	
<b>NEMA 3R</b>						
2300V, 3PH, 60HZ	SSW7000C125T211N3	125A	550	410	\$60,820	E3
	SSW7000C180T211N3	180A	750	560	\$63,725	
	SSW7000C250T211N3	250A	1100	800	\$70,255	
	SSW7000C360T211N3	360A	1600	1190	\$73,020	
4160V, 3PH, 60HZ	SSW7000C125T411N3	125A	1000	750	\$69,015	
	SSW7000C180T411N3	180A	1500	1100	\$72,250	
	SSW7000C250T411N3	250A	2000	1500	\$80,295	
	SSW7000C360T411N3	360A	3000	2250	\$83,550	

VFDs and Enclosed Motor Controls

Note: (\*) The motor power ratings given above are based on WEG 4-pole motors, 4.16kV, 60-Hz, PF=0.87, Eff=0.97, SF=1. For applications with high overloads or special starting conditions, contact WEG's sales force. Current Rating of SSW7000C must be calculated based on the information on load type, load speed/torque curve and required number of starts per hour. All models are available in 220V, 1Ph control voltage.

## MEDIUM VOLTAGE STARTERS

### Options

Reference	Description	Slot	List Price	Multiplier
Control accessories to install in Slots 1, 2 and 3				
<b>IOE-04</b>	Module for 8 temperature sensors PT100	1 and 2	<b>\$2795</b>	E3
<b>RS485-01</b>	RS-485 serial communication module (Modbus)	3	<b>\$240</b>	
<b>RS232-01</b>	RS-232C serial communication module (Modbus)		<b>\$180</b>	
<b>RS232-02</b>	RS-232C serial communication module with switch to program the microcontroller FLASH memory		<b>\$180</b>	
Anybus-CA Accessories to install in Slots 4				
<b>PROFDP-05</b>	ProfibusDP interface module	4	<b>\$935</b>	E3
<b>DEVICENET-05</b>	Devicenet interface module			
<b>ETHERNET/IP-05</b>	EtherNet/IP interface module			
<b>RS232-05</b>	RS-232 interface module (passive) (Modbus)			
<b>RS485-05</b>	RS485 interface module (passive) (Modbus)			
Flash Memory Module to install in Slot 5 - Included in Standard Models				
<b>MMF-01</b>	FLASH memory module	5	<b>\$71</b>	V1
Other Accessories				
<b>HMI-01</b>	Man Machine Interface – MMI (sold separately) <sup>(1)</sup>	-	<b>\$205</b>	V1
<b>RHMIF-01</b>	Frame kit for MMI (protection rate IP56)		<b>\$69</b>	

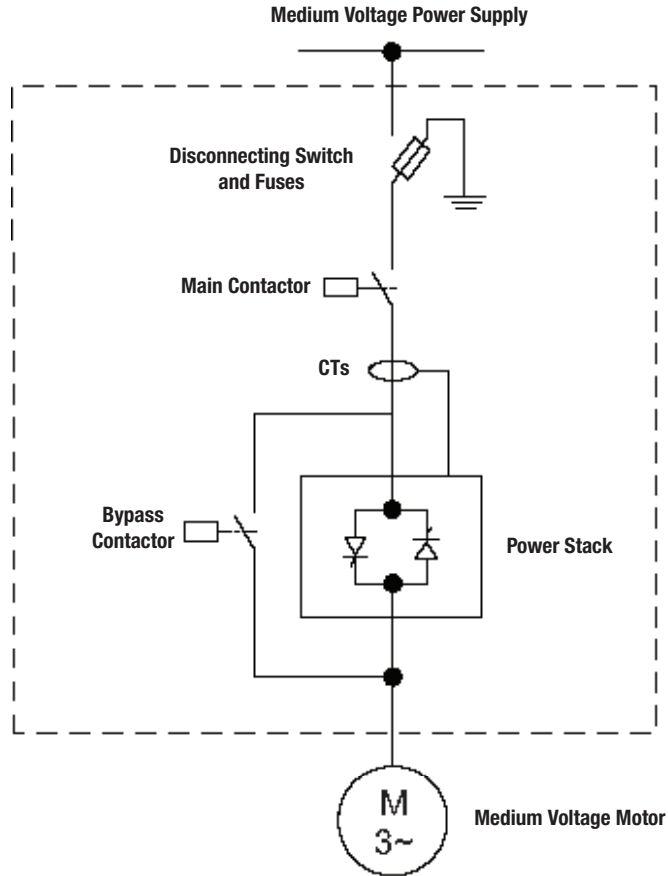
### Dimensions

same for NEMA 12 & NEMA 3R



VFDs and Enclosed Motor Controls

### Line Diagram



### Protections

ANSI/IEEE C37.2	Function/Protection Feature	Standard	Option
		<input checked="" type="checkbox"/>	<input type="checkbox"/>
19	Reduced Voltage Starting and Bypass	<input checked="" type="checkbox"/>	<input type="checkbox"/>
27	Undervoltage protection	<input checked="" type="checkbox"/>	<input type="checkbox"/>
37	Undercurrent protection	<input checked="" type="checkbox"/>	<input type="checkbox"/>
46	Phase-Balance Current protection	<input checked="" type="checkbox"/>	<input type="checkbox"/>
47	Phase Sequence	<input checked="" type="checkbox"/>	<input type="checkbox"/>
48	Incomplete Sequence	<input checked="" type="checkbox"/>	<input type="checkbox"/>
50	Instantaneous Overcurrent trip	<input checked="" type="checkbox"/>	<input type="checkbox"/>
51	Overcurrent trip	<input checked="" type="checkbox"/>	<input type="checkbox"/>
55	Power Factor check	<input checked="" type="checkbox"/>	<input type="checkbox"/>
59	Overvoltage	<input checked="" type="checkbox"/>	<input type="checkbox"/>
81	Frequency check	<input checked="" type="checkbox"/>	<input type="checkbox"/>
86	Lockout Relay - electronic	<input checked="" type="checkbox"/>	<input type="checkbox"/>
50N/51G	Ground fault detection instantaneous and fault-current	<input checked="" type="checkbox"/>	<input type="checkbox"/>
49 & 38	Winding Temperature and Bearing Temperature	<input type="checkbox"/>	<input type="checkbox"/>

VFDs and Enclosed Motor Controls

## MEDIUM VOLTAGE STARTERS SSW7000

### Standard Features:

- Motor voltage: 2.3kV, 4.16kV
- Power: up to 3000HP
- Protection Degree : NEMA 12, NEMA 3R
- Operating interface (HMI) with graphic LCD
- Real time clock
- Main and bypass vacuum contactors
- Emergency DOL start capability (ATL bypass)
- Medium voltage fuses
- Power and control insulated by fiber optics
- Soft PLC Function
- License Free programming software SuperDrive and WLP
- Motor thermal protection - PT100 (accessory), 8 Channels
- Ground Fault Protection - standard
- 5 start modes
- Network communication boards (accessories): DeviceNet, Profibus-DP, Ethernet and Modbus, RS-232 or RS-485

### Advantages:

- Flexible Torque control
- Overload capacity of 400% for 20 s. (2x / hour duty cycle)
- Management of Demand restrictions by the electric company
- Bumpless starting
- Motor protection
- Mechanical wear reduction
- Handles lower inrush current limitations of power supply

### Special Features:

- Clean Assembly with easy accessibility to all components
- Flexible Torque Control (FTC), by employing torque estimation using vector control principle and measurement of input voltage, output voltage and output current. This provides more accurate torque set-points, compared to estimating torque values only via current measurement.
- Active Protection offers complete motor protection in DOL START and RUN mode. This eliminates need for any expensive motor protection relays for backup protection.
- Ground Fault protection is standard
- Flexible Thermal Class Curve setup & selection that eliminates need for third party expensive protection relays
- Soft PLC function with license-free software
- Nickel plated bus bars and bus-stub connections provide corrosion resistance and ensure proper electrical connection
- Power connection terminals for TOP or BOTTOM motor connection (bottom only for NEMA 3R)
- Operator Interface (keypad, parameter setup) is identical to that of WEG's low voltage starter products
- Successfully tested per International Building Code 2018 (IBC 2018) & California Building Code 2019 (CBC 2019)



### Certifications



### Technical specifications

Power Supply	Power Voltage (R/1 L1, S/3L2, T/5L3)	Low voltage test: 500Vac: (-60% to +10%) or (200 to 550Vca) Models: 2300Vac: (-60% to +10%) or (920 to 2530Vca) 4160Vac: (-60% to +10%) or (2760 to 4576Vca)
	Frequency	(50 to 60Hz): ( $\pm 10\%$ ) or (45 to 66Hz)
Capacity	Maximum number of starts	5 starts in 2 hours (One start every 30 minutes)
	Start cycle	AC-53a; 4.5-30:50-2
Thyristors	Medium voltage SCR per power arm	2300Vac: 2 thyristors per per power stack 4160Vac: 2 coupled pairs of thyristors
	Reverse voltage peak on the arm	2300Vac: 6.5kV 4160Vac: 13kV
Protections	Protection by Hardware	dv/dt filter Active overvoltage protection on the thyristors
Control Supply	Control voltage	As per code of the SSW7000: 110Vac: (-15% to 10%) or (93.5 to 121Vac) 230Vac: (-15% to 10%) or (195.6 to 253Vac)
	Frequency	(50 to 60Hz): ( $\pm 10\%$ ) or (45 to 66Hz)
	Consumption	Continuous: 900 mA Peak: 9.5 A (during the closing of the vacuum contactors)
Control	Method	Voltage ramp. Current limitation. Pump control. Torque control. Current ramp.
Inputs	Digital	6 insulated digital inputs, 24 Vdc, programmable functions
	Analog	2 differential inputs insulated by differential amplifier; AI1 resolution: 12 bits, AI2 resolution: 11 bits + signal, (0 to 10) V, (0 to 20) mA or (4 to 20) mA, Impedance: 400k $\Omega$ for (0 to 10V), 500 $\Omega$ for (0 to 20mA) or (4 to 20mA), programmable functions
Outputs	Digital	3 NO/NC contact relays, 240 Vac, 1A, programmable functions.
	Analog	2 insulated outputs, (0 to 10V) RL $\pm$ 10k $\Omega$ (maximum load), 0 to 20mA or 4 to 20mA RL < 500 $\Omega$ , 11-bit resolution, programmable functions
Man Machine Interface	Standard	9 keys: Turn/Stop, Increase, Decrease, Rotation Direction, Jog, Local/Remote, right Soft key and left Soft key. Graphic LCD. It enables access to/change of all parameters.
Safety	Main protections	Under and Overcurrent and current unbalance. Under and Overvoltage and voltage unbalance. Under and Overtorque and Active overpower Phase loss. Reverse phase sequence Overtemperature in the power racks. Motor overload. Motor overtemperature (optional). External defect. Ground fault by voltage or current. Fault in the power racks. Fault in the power contactors. Faults in the control boards. Communication faults of MMI and between controls. Faults in the communication networks. Programming errors. For further details and more protections implemented, refer to the programming manual.
Enclosures	Protection Degree	NEMA 12, NEMA 3R
PC connection for programming	USB Connector	USB standard Rev. 2.0 (basic speed). USB plug type B "device". Interconnecting Cable: standard host/device shielded USB cable
Environmental Conditions	Temperature	-10° a 40°C
	Altitude	Up to 1000 m above sea level. For higher altitudes, contact our sales force.
	Humidity	Air relative humidity of 5 % to 90 % non-condensing.
Standards	NBR IEC 62271-200	High voltage controlgear and switchgear - part 200: High voltage controlgear and switchgear in metal enclosure for voltages over 1 kV up to and including 52 kV
	IEC 62271-1	High-voltage switchgear and controlgear - Part 1: Common specifications
	IEC 60060-1	High-voltage test techniques. Part 1: General definitions and test requirements
	CISPR 11	Industrial, scientific and medical (ISM) radio-frequency equipment - electromagnetic disturbance characteristics - limits and methods of measurement
	IEC 61000-4-4	Electromagnetic compatibility (EMC) - Part 4: testing and measurement techniques - section 4: electrical fast transient/burst immunity test. Basic EMB publication
	IEC 61000-4-18	Electromagnetic compatibility (EMC) - Part 4-18: testing and measurement techniques - damped oscillatory wave immunity test
	NBR IEC 60529	Protection rates for electric equipment enclosures (ip code)
	UL 347	Medium Voltage AC Contactors, Controllers and Control Centers
UL 347B	Medium Voltage Motor Controllers	

VFDs and Enclosed Motor Controls

## In-House Modifications

Motor Replate . . . . .	A-407
Electrical Add-Ons . . . . .	A-408
C-Flange Kits . . . . .	A-408
D-Flange Kits . . . . .	A-408
Drip Covers . . . . .	A-408
Cooling . . . . .	A-408
Bearings . . . . .	A-409
Mounting . . . . .	A-410
Environmental . . . . .	A-410

## Factory Built Modifications

Bearings . . . . .	A-411
Cooling . . . . .	A-411
Degree of Protection . . . . .	A-411
Electrical Features . . . . .	A-412
Flanges . . . . .	A-412
Painting Plans . . . . .	A-412
Painting Plan Descriptions . . . . .	A-413
Special Shaft . . . . .	A-413
Terminal Box . . . . .	A-414
Testing . . . . .	A-414

## Parts

C/C-DIN Flanges for Totally Enclosed Motors . . . . .	A-415
C Flanges for Open Motors . . . . .	A-417
D/F Flange Kits . . . . .	A-418
Drip Cover Kits . . . . .	A-420
W22 Terminal Box . . . . .	A-421
Brake Motor Parts . . . . .	A-423
Encoders . . . . .	A-425
Stub Shafts . . . . .	A-426
Encoder Cables . . . . .	A-426
Competitor C-Box to WEG W22 Frame Adapter . . . . .	A-427
Blower Kits . . . . .	A-427
Insulated Bearing Housing Endshields . . . . .	A-427
Terminal Block Kits . . . . .	A-428
Motor Sliding Bases . . . . .	A-428
Fans and Fan Covers . . . . .	A-429

NEMA FRAME			56/140T/ 180T (Note 7)	210T	250T	280T	320T	360T	400T	440T	L440/500	580T	
IEC FRAME			90/ 100L/112 (Note 7)	132S/M	160M/L	180M/L	200M/L	225S/M	250S/M	280S/M	315S/M	355M/L	
<b>REPLATE</b> <b>ADD CUSTOMER PART NUMBER AND / OR OTHER CHANGES SUCH AS VOLTAGE, HZ, ETC. (All W50 Mods are \$40 NET)</b>													
MOD. NUMBER	NAMEPLATE												
N-10	Main Nameplate Change - Stainless Steel	NET	30	30	30	30	30	30	30	30	30	30	30
N-20	Additional Nameplate - Stainless Steel	NET	30	30	30	30	30	30	30	30	30	30	30
N-25	Additional Rating/Service - Adhesive Mylar only	NET	30	30	30	30	30	30	30	30	30	30	30

ELECTRICAL ADD-ON'S			INSTALLATION OF SPACE HEATERS, THERMISTORS, THERMOSTATS & EXTENDING MOTOR LEADS									
NEMA FRAME			56/140T/ 180T (Note 7)	210T	250T	280T	320T	360T	400T	440T	L440/500	580T
IEC FRAME			90/ 100L/112 (Note 7)	132S/M	160M/L	180M/L	200M/L	225S/M	250S/M	280S/M	315S/M	355M/L
E-25	120V Space heater - XP motors	LIST	1010.00	1012.00	1103.00	1104.00	1104.00	1107.00	1197.00	1202.00	1202.00	1206.00
E-26	240V Space heater - XP motors	LIST	1010.00	1012.00	1103.00	1104.00	1104.00	1107.00	1197.00	1202.00	1202.00	1206.00
E-30	120V Space Heater	LIST	204.09	206.55	297.34	299.45	299.45	302.26	393.04	398.64	398.64	403.92
E-40	240V Space Heater (Operating on 240V)	LIST	204.09	206.55	297.34	299.45	299.45	302.26	393.04	398.64	398.64	403.92
E-50	240V Space Heater (Operating on 120V)	LIST	217.32	221.23	312.01	315.36	315.36	319.83	410.61	419.55	419.55	427.93
E-55	Bearing RTDS ( DE and NDE)	LIST	N/A	N/A	N/A	N/A	1446.01	1446.01	1446.01	1446.01	1446.01	1446.01
E-60	Winding RTD's 100 Ohm Platinum (One Per phase - 3 lead PT100's)	LIST	792.77	792.77	792.77	792.77	792.77	883.55	883.55	883.55	883.55	974.33
E-70	Thermistors (One per phase @155°C)	LIST	301.54	301.54	301.54	301.54	301.54	392.32	392.32	392.32	392.32	483.10
E-80	Thermostats (One per phase @155°C)	LIST	167.25	167.25	287.99	287.99	287.99	378.77	378.77	378.77	378.77	445.04
E-95	Provision for vibration detector (drilled and tapped)	LIST	N/A	N/A	363.13	363.13	363.13	363.13	363.13	363.13	363.13	363.13
E-99	Installation of Stubshaft Only - (Only valid for Super Premium 280T & above) 5/8" stub shaft	LIST	N/A	N/A	N/A	345.00	345.00	345.00	475.00	475.00	475.00	475.00
E-100	Installation of Encoder - (Only valid for Super Premium 280T & above) Dynapar HSD38 1024PPR & 5/8" stub shaft	LIST	N/A	N/A	N/A	1201.12	1201.12	1201.12	1291.90	1291.90	1291.90	1291.90
E-105	Installation of Encoder on VECTOR DUTY MOTORS (FRAMES 140- 250 - Dynapar HSD38 1024PPR with 5/8" bore)	LIST	949.02	949.02	949.02	N/A	N/A	N/A	N/A	N/A	N/A	N/A
E-110	MODIFY BRAKE RECTIFIER TO ACCEPT 460V	LIST	164.16	164.16	164.16	164.16	N/A	N/A	N/A	N/A	N/A	N/A

C-FLANGE KIT			INSTALLATION OF C-FLANGE KITS									
C-80	Installation of C-FLANGE (IEC)	LIST	343.13	343.13	343.13	558.83	558.83	558.83	1530.39	1530.39	1836.47	1950
C-90	Installation of C-FLANGE (TEFC - GEN PRP)	LIST	302.63	302.63	302.63	558.83	558.83	558.83	1530.39	1836.47	1836.47	1950
C-105	Installation of C-FLANGE (IEEE-841)	LIST	471.20	471.20	471.20	602.01	602.01	602.01	1530.39	1836.47	1836.47	1950
C-110	Installation of C-FLANGE (XP)	LIST	432.42	478.07	542.25	756.28	954.95	1005.92	1042.99	1128.38	N/A	N/A

C-120	Installation of C-FLANGE (ODP)	LIST	388.27	388.27	388.27	642.37	642.37	642.37	1222.32	1222.32	N/A	N/A
NEMA FRAME			56/140T/ 180T (Note 7)	210T	250T	280T	320T	360T	400T	440T	L440/500	580T
IEC FRAME			90/ 100L/112 (Note 7)	132S/M	160M/L	180M/L	200M/L	225S/M	250S/M	280S/M	315S/M	355M/L

D-FLANGE KIT		INSTALLATION OF D-FLANGE KITS										
D-120	Installation of D-FLANGE (IEC)	LIST	410.64	410.64	434.25	737.01	737.01	737.01	1105.00	1105.00	1950	2250
D-130	Installation of D-FLANGE (TEFC - GEN PRP)	LIST	416.79	416.79	416.79	743.52	743.52	743.52	1448.27	1950	1950	2250
D-135	Installation of D-FLANGE (IEEE-841)	LIST	N/A	429.05	429.05	743.52	743.52	743.52	1448.27	1950	1950	2250
D-140	Installation of D-FLANGE (XP)	LIST	484.25	484.25	484.25	905.08	905.08	905.08	1286.01	1286.01	N/A	N/A
D-150	Installation of D-FLANGE (ODP)	LIST	N/A	N/A	444.30	527.96	723.74	815.89	919.75	1160.84	N/A	N/A

DRIP COVERS		INSTALLATION OF DRIP COVER (RAIN CAP)										
DC-160	Drip Cover (TEFC / XP)	LIST	254.58	277.07	320.25	363.44	406.59	484.19	681.01	825.45	1058.13	1290.78
DC-170	Drip Cover (ODP)	LIST	276.50	280.53	305.03	328.70	406.01	479.48	570.26	657.97	N/A	N/A

COOLING		ALUMINUM FAN MATERIAL CHANGE OUT AND INSTALLATION OF BLOWER KIT (FORCED VENTILATION)										
F-180	Fan Material (ALUMINUM) Note #4	LIST	1250.55	1287.15	1287.15	1315.82	1422.28	1627.06	1717.84	1867.77	2147.10	3174.81
F-190	Forced Ventilation: Blower Cooling (w/o Encoder) (Not valid for 48 & 56 frames)	LIST	1258.63	1371.79	1439.89	1485.12	1593.32	1797.63	1797.63	2186.87	2452.77	2478.41
F-195	Forced Ventilation: Blower Cooling (w/ Encoder) (Not valid for 48 & 56 frames)	LIST	4337.60	4624.41	4782.99	4896.15	4950.84	5495.06	5955.95	6552.15	6817.40	7417.96
F-200	Cast Iron Fan Cover	List	159.50	144.80	Standard	Standard	Standard	Standard	Standard	Standard	Standard	Standard





NEMA FRAME			56/140T/ 180T (Note 7)	210T	250T	280T	320T	360T	400T	440T	L440/500	580T
IEC FRAME			90/ 100L/112 (Note 7)	132S/M	160M/L	180M/L	200M/L	225S/M	250S/M	280S/M	315S/M	355M/L
BEARINGS			BEARING CHANGE OUTS & SHAFT GROUNDING MODIFICATION									
B-200	Ball to Roller Bearing Conversion Note #3 & #5	LIST	N/A	N/A	527.09	616.23	645.92	1024.27	1337.85	1812.35	1890.17	1890.17
B-210	Roller to Ball conversion Note #3 & #6	LIST	N/A	N/A	N/A	N/A	N/A	N/A	1270.28	1636.34	1636.34	1636.34
B-220	Convert to Insulated Bearing - NDE ONLY	LIST	564.72	568.44	673.10	852.65	852.65	1347.85	1347.85	1721.28	1888.88	1888.88
B-225	Convert to 2RS (sealed bearings)	LIST	210.73	221.40	277.54	312.21	346.87	835.42	1077.96	N/A	N/A	N/A
B-230*	External AEGIS shaft Grounding Ring - DE ONLY	LIST	258.44	258.44	258.44	262.57	262.57	273.74	273.74	402.23	530.73	871.87
B-231*	Internal AEGIS Ring for W22 w/o a Flange	LIST	N/A	N/A	582.00	590.00	610.00	782.00	893.00	1143.00	N/A	N/A
B-232*	Internal AEGIS Ring for W22 with any Flange	LIST	336.00	366.00	582.00	590.00	610.00	782.00	893.00	1143.00	N/A	N/A
B-233*	Internal AEGIS Ring for W22 JP/JM	LIST	N/A	N/A	582.00	590.00	610.00	782.00	893.00	1143.00	N/A	N/A
B-234*	Internal AEGIS Ring for W22-IEEE 841 (All Mtg)	LIST	355.00	366.00	582.00	590.00	610.00	782.00	893.00	1143.00	N/A	N/A
B-235*	Internal AEGIS Ring for ODP w/o Flange	LIST	N/A	N/A	N/A	N/A	N/A	782.00	893.00	1143.00	N/A	N/A
B-236*	Internal AEGIS Ring for ODP with C-Flange	LIST	N/A	N/A	501.00	N/A	N/A	782.00	893.00	1143.00	N/A	N/A
B-237*	Internal AEGIS Ring for ODP JP/JM	LIST	N/A	N/A	501.00	N/A	N/A	782.00	893.00	1143.00	N/A	N/A
B-250*	Installation of Helwig Grounding Brush (Includes Brush and Brush Holder - DE only)	LIST	205.45	205.45	205.45	214.53	214.53	214.53	234.64	321.79	321.79	321.79
B-255	High Frequency Terminal Box Grounding Strap (For use with VFD driven motors)	LIST	N/A	N/A	N/A	N/A	N/A	316.56	316.56	341.12	341.12	341.12
B-260	Insulated ODE End Bell conversion (TEFC 360 frames and above - W22 only, Excludes IEEE841)	LIST	486.00	486.00	486.00	486.00	486.00	486.00	608.00	608.00	608.00	608.00
B-265	Low Temp Bearing Grease change out (Aeroshell 22 Low Temp Grease / -40°C to 50°C) - Requires bearings change out	LIST	N/A	N/A	N/A	N/A	N/A	883.87	1177.85	1474.36	1581.09	1834.53
B-270	Low Temp Bearing Grease change out (Aeroshell 22 Low Temp Grease / -50°C to 50°C) - Requires bearings change out	LIST	N/A	N/A	370.34	474.47	509.78	946.26	1036.82	1777.46	1777.46	1830.08
B-280	High Temp Bearing Grease change out (Dow Corning 44 High Temp Grease / -20°C to 90°C) - Requires Bearing Change out	LIST	N/A	N/A	370.34	474.47	509.78	946.26	1036.82	1777.46	1777.46	1830.08

\*DIV2 removed from nameplate

NEMA FRAME			56/140T/ 180T (Note 7)	210T	250T	280T	320T	360T	400T	440T	L440/500	580T
IEC FRAME			90/ 100L/112 (Note 7)	132S/M	160M/L	180M/L	200M/L	225S/M	250S/M	280S/M	315S/M	355M/L
MOUNTING			TERMINAL BOX									
M-280	F1 to F2 Mounting Conversion (Cast Iron 3 phase motors only)	LIST	136.17	136.17	181.56	181.56	181.56	181.56	272.35	272.35	272.35	272.35
M-290	Convert Footed Motor to Round Body (Cast Iron Only)	LIST	544.69	544.69	544.69	544.69	544.69	635.47	635.47	635.47	817.04	817.04
M-300	Auxiliary terminal box (Not valid for 48 & 56 frames)	LIST	188.33	188.33	204.70	204.70	204.70	214.18	214.18	214.18	214.18	214.18
M-310	Dual Auxiliary Terminal Box Configuration (Separating Temp. Sensors and Space heaters if specified)	LIST	N/A	N/A	N/A	N/A	N/A	352.21	352.21	352.21	352.21	352.21
M-320	Install terminal block in terminal box (Cast Iron 3 Phase only - leads not connected)	LIST	244.58	258.29	285.07	285.07	337.67	532.11	532.11	643.62	736.42	736.42

ENVIRONMENTAL			ENVIRONMENTAL CONDITIONS									
EV-300	Stainless Steel Breather Drains	LIST	328.21	328.21	418.99	418.99	418.99	509.78	509.78	509.78	600.56	600.56
EV-310	Stainless Steel Hardware (Only external bolts - End bell , Terminal box cover & Fan cover)	LIST	551.68	551.68	551.68	551.68	621.51	621.51	621.51	621.51	782.12	782.12
EV-320	Grounding Provisions on Frame (TEFC cast iron only)	LIST	251.40	251.40	251.40	251.40	382.68	382.68	382.68	Standard	Standard	Standard
EV-330	Tropicalization/Anti-Fungal Protection	LIST	178.07	223.46	223.46	265.36	356.15	356.15	488.83	488.83	488.83	488.83
EV-335	IP56 Modification (GEN PRP TEFC / IEC)	LIST	1031.01	1031.01	1031.01	1031.01	1031.01	1121.79	1121.79	1121.79	1121.79	1121.79
EV-340	IP56 Modification (IEEE 841)	LIST	81.00	93.00	128.00	186.00	244.00	314.00	372.00	430.00	430.00	430.00
EV-342	IP65 Modification (IEEE 841)	LIST	98.00	112.00	154.00	223.00	293.00	377.00	447.00	517.00	517.00	517.00
EV-345	IP56 Modification (XP)	LIST	98.00	112.00	154.00	223.00	293.00	377.00	447.00	517.00	517.00	517.00
EV-350	Sealant on Joints	LIST	198.32	198.32	198.32	198.32	305.87	305.87	305.87	413.41	413.41	413.41
EV-360	External Epoxy Paint (per below color chart only)	LIST	620.11	620.11	620.11	801.68	801.68	801.68	1240.22	1240.22	1240.22	1240.22
EV-380	Top Coat Paint Color Change (per below color chart only)	LIST	396.65	396.65	396.65	520.95	520.95	520.95	645.25	645.25	645.25	645.25
EV-390	FIN-FAN Modification (IEEE 841 motors only)	LIST	572.00	608.00	723.00	812.00	812.00	1110.00	N/A	N/A	N/A	N/A
EV-400	Addition of Rodent Screens (Cast iron ODP motors only)	LIST	N/A	N/A	740.00	971.00	971.00	971.00	971.00	971.00	971.00	971.00

**NOTES:**

1. CONSIDER TENV VECTOR DUTY MOTOR (IF RATING IS AVAILABLE) = \*%
2. NOT AVAILABLE AS MODIFICATION = N/A
3. CONTACT FOR QUOTE WITH LOAD DATA FOR EVALUATION
4. MACHINING REQUIRED
5. ROLLER BEARINGS SIZES NOT AVAILABLE FOR 210T FRAMES AND SMALLER
6. STOCK PRODUCT NOT AVAILABLE WITH ROLLER BEARINGS BELOW NEMA 400T
7. SOME MODIFICATIONS MAY NOT BE AVAILABLE FOR FRAMES SMALLER THAN 140 NEMA OR 112 IEC , CONTACT WEG FOR QUOTE.
8. PRICING IS SUBJECT TO FUTURE UPDATES THAT MAY ALTER WHAT IS REFLECTED IN PRINTED MATERIALS.

**AVAIL TOP COAT COLORS**

RAL 5009 - BLUE
MUNSELL N1 - BLACK
RAL 6002 - GREEN
RAL 7022 - DARK GRAY
RAL 9010 - WHITE
RAL 3002 - RED

## BEARINGS

NEMA FRAME SERIES	48	56	-	140T	180T	210T	250T	280T	320T	360T	400T	440T	L440/500	580
IEC Frame Series	-	-	63 UP 80	90	100/112	132	160	180	200	225	250	280	315	355
Ball to Roller (IV, VI, VIII P) D.E.:	n/a	n/a	n/a	n/a	n/a	566	645	772	863	974	n/a	n/a	n/a	n/a
ZZ Bearings (Double shielded): Added when manufacturing	std	std	std	std	std	std	96	321	632	n/a	n/a	n/a	n/a	n/a
2 RS Bearing (D.E. and N.D.E.) Added when manufacturing	38	38	38	38	61	67	207	293	973	1364	n/a	n/a	n/a	n/a
Insulated (Hybrid) NDE Bearing	n/a	n/a	n/a	417	671	700	2163	2318	2755	n/a	n/a	n/a	n/a	n/a
Insulated Bearing Housing NDE Endshield	n/a	n/a	n/a	n/a	n/a	n/a	n/a	n/a	n/a	1064	1239	1539	1539	2265

## COOLING

NEMA FRAME SERIES	48	56	-	140T	180T	210T	250T	280T	320T	360T	400T	440T	L440/500	580
IEC FRAME SERIES			63 UP 80	90	100/112	132	160	180	200	225	250	280	315	355
Fan Material : - Aluminum Added when manufacturing	n/a	n/a	n/a	64	110	118	132	151	175	218	255	298	348	n/a
Fan Material : - Cast Iron Added when manufacturing	n/a		n/a	34	50	61	79	107	112	185	185	216	300	527
Fan Material : - Bronze Added when manufacturing	n/a	n/a	n/a	238	532	865	1068	1,493	1,508	2,627	2,627	2,627	2,627	2,971
Forced Ventilation (TEBC) :	n/a	n/a	n/a	1,406	1,513	1,575	1,965	2,286	2,448	2,921	3,139	4,275	5,773	7,383
TEAO Added when manufacturing	54	54	54	54	81	94	97	176	176	370	370	380	439	520
Drip Cover Added when manufacturing	21	21	55	55	58	82	98	141	166	191	191	234	234	330
Textile Fan Cover Added when manufacturing	n/a	n/a	n/a	61	63	90	108	156	183	220	220	n/a	n/a	n/a

## DEGREE OF PROTECTION

NEMA FRAME SERIES	48	56	-	140T	180T	210T	250T	280T	320T	360T	400T	440T	L440/500	580
IEC FRAME SERIES	-	-	63 UP 80	90	100/112	132	160	180	200	225	250	280	315	355
TEFC IP55 with Lip Seal	33	33	33	33	58	76	95	113	132	151	175	213	249	502
TEFC IP55 with Oil Seal	n/a	n/a	55	55	85	104	112	133	143	171	200	231	268	-
TEFC IP55 with Labyrinth seal or Nilos Ring	n/a	n/a	196	196	220	220	299	315	354	463	511	511	579	1380
TEFC IP56 w/ Oil Seals	n/a	n/a	n/a	75	118	176	267	383	498	441	655	1724	2041	-
TEFC IP56 w/ W3Seals (labyrinth)	n/a	n/a	n/a	230	277	401	501	643	861	825	1023	2143	2674	3815
TEFC IP65 w/ Oil Seals	n/a	n/a	n/a	75	118	176	267	383	498	441	655	1724	2041	-
TEFC IP65 w/ Taconite (labyrinth) Seals	n/a	n/a	n/a	167	205	303	398	528	709	659	857	1954	2394	3366
TEFC IP65 w/ W3seals (labyrinth)	n/a	n/a	n/a	230	277	401	501	643	861	825	1023	2143	2674	3815
TEFC IP66 w/ W3seals (labyrinth)	n/a	n/a	n/a	273	344	496	662	853	1112	1185	1515	3310	4009	5687

## ELECTRICAL SPECIAL FEATURES - Added when manufacturing

NEMA FRAME SERIES	48	56	-	140T	180T	210T	250T	280T	320T	360T	400T	440T	L440/500	580	
IEC FRAME SERIES	-	-	63 UP 80	90	100/112	132	160	180	200	225	250	280	315	355	
Thermistors (1/phase) PTC:	n/a	n/a	142	142	142	142	142	142	142	142	142	142	142	142	
Thermostats (1/phase) NC:	n/a	n/a	142	142	142	142	142	142	142	142	142	142	142	142	
Bearing RTD's PT100 (1/bearing)	n/a	n/a	n/a	n/a	n/a	n/a	1215	1215	1215	1215	1215	1215	1215	1215	
Winding RTD's PT100 (1/phase):	n/a	n/a	1052	1052	1052	1052	1052	1052	1052	1052	1052	1052	1052	1052	
Space Heater	n/a	n/a	37	37	37	37	54	54	54	109	109	109	109	217	
Class of Insulation : -"F"	Add 5% to motor list price								Add 3% to motor list price						
Class of Insulation : -"H"	Add 10% to motor price														
Epoxy varnish impregnation Enclosed motors only	Add 5% to motor price														
Above 600 V (1000 Max.)	Add 10% to motor price														

## FLANGES

NEMA FRAME SERIES	48	56	-	140T	180T	210T	250T	280T	320T	360T	400T	440T	L440/500	580	
IEC FRAMES SERIES	-	-	63 UP 80	90	100/112	132	160	180	200	225	250	280	315	355	
FLANGE TYPE	Enclosure	List Price													
"C" Flange	TEFC	28	28	28	28	38	51	68	99	121	442	491	606	716	1,623
	ODP	28	28	-	34	38	51	68	85	100	394	446	560	-	-
	Explosion Proof	-	-	61	61	70	76	103	147	182	665	736	1,384	1,384	-
"D" Flange	TEFC	-	-	50	59	70	79	117	136	192	637	762	915	1,051	1,863
	ODP	-	-	-	-	-	-	107	126	170	537	685	855	-	-
	Explosion Proof	-	-	-	89	89	103	130	189	246	736	1,067	1,311	1,577	2,364

## PAINTING PLANS Factory Build Adder

NEMA FRAME SERIES	-	140T	180T	210T	250T	280T	320T	360T	400T	440T	L440/500	580
IEC FRAMES SERIES	63 UP 80	90	100/112	132	160	180	200	225	250	280	315	355
Painting Plan	List Price											
202	45	58	94	120	196	228	246	308	335	402	447	745
203	58	85	138	188	290	344	384	509	553	696	808	1,269
211	106	114	133	228	467	547	597	775	828	1,003	1,075	1,113
212	122	133	171	277	585	692	779	1,026	1,121	1,410	1,577	1,661
Internal Epoxy Painting	45	58	94	120	196	228	246	308	335	402	447	745

## Painting Plan Description

Painting Plan	Recommended Uses	Surface Preparation Grade	PRIMER		INTERMEDIATE		FINISH COAT		ADHERENCE GRADE ASTM
			Paint	Film Thickness (µm)	Paint	Film Thickness (µm)	Paint	Film Thickness (µm)	D-3359
<b>201A</b>	Non aggressive environments; Not recommended for direct exposure to solvents, alkalis and acid vapors	Sa 2 ½	Synthetic alkyd	20 – 55	-	-	Synthetic alkyd enamel	40 – 60	3B to 5B
<b>202E</b>	Aggressive sheltered industrial environments; Chemical, pulps and paper industries, resistant to acid steams, alkalis and solvents vapors	Sa 2 ½	Synthetic alkyd	20 - 55	Epoxy Isocyanate	20 - 30	Epoxy polyamide enamel	100 – 140	3A to 5A
<b>202P</b>	Aggressive sheltered or non-sheltered industrial environments; Chemical, mining, pulp and paper industries, resistant to acid steams, alkalis and solvents vapors; Indicated to food processing motors – USA and Europe	Sa 2 ½	Synthetic alkyd	20 - 55	Epoxy Isocyanate	20 - 30	1 coats Aliphatic polyurethane enamel	60 - 100	3A to 5A
<b>203A</b>	Environments low aggressiveness; Not recommended for direct exposure to solvents, alkalis and acid vapors	Sa 2 ½	Synthetic alkyd	20 – 55	Synthetic powdered alkyd	30 a 45	Synthetic alkyd enamel	30 – 45	3B to 5B
<b>211E</b>	Painting of equipment, structures in general subject to moderate and high aggressive level such as: pulp and paper plants, steel and iron and chemical industries	Sa 2 ½	Polyamide Epoxy	90 - 130	-	-	Polyamide Epoxy	90 - 130	3A to 5A
<b>211P</b>	Painting of equipment, structures in general subject to moderate and high aggressive level such as: pulp and paper plants, steel and iron and chemical industries	Sa 2 ½	Polyamide Epoxy	90 - 130	-	-	Aliphatic polyurethane enamel	65 – 90	3A to 5A
<b>212E</b>	Non sheltered marine environment; Resistant to acid, alkalis and solvent spills	Sa 2 ½	Zinc ethyl silicate	70 - 90	Epoxy polyamide	90 – 130	Polyamide Epoxy	90 – 130	3A to 5A
<b>212P</b>	Non sheltered marine environment; Resistant to acid, alkalis and solvent spills	Sa 2 ½	Zinc ethyl silicate	70 - 90	Epoxy polyamide	90 – 130	Aliphatic polyurethane enamel	65 – 90	3A to 5A

## Special Shaft

NEMA FRAME SERIES	48	56	-	140T	180T	210T	250T	280T	320T	360T	400T	440T	500	580
IEC FRAMES SERIES	-	-	63 UP 80	90	100/112	132	160	180	200	225	250	280	315	355
<b>Second Shaft End (standard dimension)</b>	n/a	n/a	60	72	87	101	104	189	189	392	396	407	752	879
<b>Threaded center hole in the shaft end</b>	n/a	n/a	33	33	41	51	85	136	155	std	std	std	-	-
<b>420 Stainless steel shaft end</b>	Add 10% to motor list price													
<b>315 Stainless steel shaft end</b>	Add 15% to motor list price													
<b>Special Shaft</b>														
<b>Special Shaft Diameter (Type "A" mod)</b>	n/a	n/a	58	58	87	130	151	189	209	392	396	407	752	879
<b>Special Shaft Length (Type "B" mod)</b>	n/a	n/a	63	63	96	113	120	208	216	446	450	473	821	987
<b>Special Shaft Diameter &amp; Length (Type "C" mod)</b>	n/a	n/a	72	72	125	141	158	249	262	574	579	628	965	1117
<b>Special Shaft Diameter, Length &amp; Tapered (Type "D" mod)</b>	n/a	n/a	79	79	130	156	174	271	288	646	654	716	1023	1254
<b>Balance - Reduced</b>	n/a	n/a	n/a	33	79	91	100	125	134	156	167	188	507	616
<b>Balance - Special</b>	n/a	n/a	n/a	58	87	133	159	180	217	250	283	317	846	1044

## Terminal Box\*

NEMA FRAME SERIES	48	56	-	140T	180T	210T	250T	280T	320T	360T	400T	440T	L440/ 500	580
IEC FRAMES SERIES	-	-	63 UP 80	90	100/112	132	160	180	200	225	250	280	315	355
Cable Gland - Plastic	n/a	n/a	10	10	14	14	22	22	22	-	-	-	-	-
Cable Gland - Brass	n/a	n/a	33	33	50	50	182	182	182	567	567	567	567	714
Threaded Plug	n/a	n/a	6	6	9	9	18	18	18	22	22	22	22	44
Terminal Block (6 pin):	n/a	n/a	9	9	14	23	23	41	41	197	197	380	380	753
Additional terminal box	n/a	n/a	n/a	30	30	41	41	41	41	59	59	59	70	118
Without Terminal Box	n/a	n/a	18	18	22	22	33	33	33	45	45	47	58	70

\* Not valid for Hazardous Location Motors

## Testing:

NEMA FRAME SERIES	48	56	-	140T	180T	210T	250T	280T	320T	360T	400T	440T	L440/ 500	380
IEC FRAMES SERIES	-	-	63 UP 80	90	100/112	132	160	180	200	225	250	280	315	355
Routine Test - Unwitnessed	-	-	381	381	381	513	513	513	513	622	622	718	877	877
Routine Test - Witnessed	-	-	1215	1215	1215	1427	1427	1427	1427	1683	1683	1903	2368	2368
Type Test - Unwitnessed	-	-	586	586	586	769	769	769	769	952	952	1208	1768	1768
Type Test - Witnessed	-	-	1419	1419	1419	1632	1632	1632	1632	1939	1939	2195	2318	2318
Vibration Test	-	-	183	183	183	205	205	205	205	285	285	403	559	559
Noise Level Test	-	-	213	213	213	242	242	242	242	322	322	462	638	638

### Test Description:

#### Routine Test

- Winding resistance check (at cold)
- Locked Rotor test (current and absorbed power)
- No-load test (current and absorbed power)
- Hi-pot
- Insulation resistance
- Accessories check for continuity (if applicable)

#### Type Test

- Winding resistance check (at cold)
- Locked Rotor test (torque, current and absorbed power)
- Load test, including temperature rise with constant output power at full load)
- Breakdown Torque test
- No-load test (current and absorbed power)
- Vibration test on motors 364/5T and above
- Hi-pot
- Insulation resistance
- Accessories check for continuity (if applicable)

#### Vibration Test

- Vibration measure on as many as 6 points, depending on the mechanical envelope of the motor allowing access to all the reading points
- Test performed with half key on the shaft
- Performed with motor on an elastic mounting base (rigid base when requested)

#### Noise Test

- Performed at no load on an acoustic chamber
- Measurements at 1m (~ 3.3ft) distance from the motor
- Readings:
  - Total sound pressure level of the motor at 4 points, in dB(A)
  - Bearings sound pressure level in dB(A)
  - Frequency spectrum of the global noise for the point with the most intense reading, at 50% and 100% of rated voltage
  - Frequency spectrum of the bearings noise for the point with the most intense global reading, at 50% and 100% of rated voltage

## C/C-DIN FLANGES FOR TOTALLY ENCLOSED MOTORS

### Nema Frames - Cast Iron - TEFC - W22

Frame	Flange Size	Bearing Size	C-Flange Kit	
			Catalog Number	List Price
143/5	FC-149	205	FLC-E140-UBC	\$85
182/4	FC-184	207	FLC-E180-UBC-W22	\$145
213/5	FC-184	308	FLC-E210-UBC	\$150
254/6	FC-184	309	FLC-E250-W22	\$195
284/6	FC-228	311	FLC-E280	\$290
324/5	FC-279	312	FLC-E320	\$440
364/5	FC-279	314	FLC-E360-314-W22	\$575
404/5	FC-279	314	FLC-E400-314	\$620
	FC-279	316	FLC-E400-316	\$620
444/5	FC-355	314	FLC-E440-314	\$830
	FC-355	314	FLC-E440-314-VENT *	\$1,660
445/7	FC-355	319	FLC-E440-319	\$830
447/9	FC-355	322	FLC-E440-322	\$830
L447/9	FC-355	322	FLC-E440-322-VENT *	\$1,743
	FC-355	314	FLC-EL440-314-VENT *	\$1,800
504/5	FC-368	314	FLC-EL440-322-VENT *	\$1,861
	FC-368	319	FLC-E500-314-W22	\$1,200
586/7	FC-368	319	FLC-E500-319-W22	\$1,200
	FC-368	322	FLC-E500-322-W22	\$1,200
586/7	FC-368	314	FLC-E580-314	\$1,465
	FC-368	314	FLC-E580-314-VENT *	\$1,905
586/7	FC-368	322	FLC-E580-322	\$1,650
	FC-368	322	FLC-E580-322-VENT *	\$1,980
586/7	FC-368	324	FLC-E580-324	\$1,650

\* Ventilated for improved Drive end bearing cooling

### NEMA Frames - IEEE 841 - W22

Frame	Flange Size	Bearing Size	C-Flange Kit	
			Catalog Number	List Price
143/5	FC-149	205	FLC-IE140	\$250
182/4	FC-184	207	FLC-IE180-W22	\$285
213/5	FC-184	308	FLC-IE210	\$300
254/6	FC-184	309	FLC-IE250-W22	\$325
284/6	FC-228	311	FLC-IE280	\$365
324/5	FC-279	312	FLC-IE320	\$550
364/5	FC-279	314	FLC-E360-314-W22	\$575
404/5	FC-279	314	FLC-E400-314	\$620
	FC-279	316	FLC-E400-316	\$620
444/5	FC-355	314	FLC-E440-314	\$830
	FC-355	314	FLC-E440-314-VENT *	\$1,660
445/7	FC-355	319	FLC-E440-319	\$830
447/9	FC-355	322	FLC-E440-322	\$830
L447/9	FC-355	322	FLC-E440-322-VENT *	\$1,743
	FC-355	314	FLC-EL440-314-VENT *	\$1,800
504/5	FC-368	314	FLC-EL440-322-VENT *	\$1,861
	FC-368	319	FLC-E500-314-W22	\$1,200
586/7	FC-368	319	FLC-E500-319-W22	\$1,200
	FC-368	322	FLC-E500-322-W22	\$1,200
586/7	FC-368	314	FLC-E580-314	\$1,465
	FC-368	314	FLC-E580-314-VENT *	\$1,905
586/7	FC-368	322	FLC-E580-322	\$1,650
	FC-368	322	FLC-E580-322-VENT *	\$1,980
586/7	FC-368	324	FLC-E580-324	\$1,650

\* Ventilated for improved Drive end bearing cooling

### NEMA Frames - W01 Rolled Steel Motors - TEFC

Frame	Flange Size	Bearing Size	C-Flange Kit	
			Catalog Number	List Price
143/5	FC-149	205	FLC-E140-S	\$85
182/4	FC-184	206	FLC-E180-S	\$145
213/5	FC-184	208	FLC-E210-S	\$150
254/6	FC-184	309	FLC-E250-S	\$195



## C/C-DIN FLANGES FOR TOTALLY ENCLOSED MOTORS

NEMA Frames - Explosion Proof Motors - modifications must be performed by a UL Certified Service Center

Frame	Flange Size	Bearing Size	C-Flange Kit	
			Catalog Number	List Price
143/5	FC-149	205	FLC-X140	\$120
182/4	FC-184	307	FLC-X180	\$201
213/5	FC-184	308	FLC-X210	\$214
254/6	FC-184	309	FLC-X250-W2'1X	\$291
284/6	FC-228	311	FLC-X280-W21X	\$517
324/5	FC-279	312	FLC-X320-W21X	\$663
364/5	FC-279	314	FLC-X360-314	\$992
404/5	FC-279	314	FLC-X360-314	\$992
	FC-279	217	FLC-X400-217	\$1,210
444/5	FC-355	314	FLC-X440-314	\$1,508
445/7	FC-355	219	FLC-X440-219	\$1,508
447/9	FC-355	319	FLC-X440-319	\$1,508

### Metric (IEC) Frames - General Purpose - TEFC

Frame	Flange Size	Bearing Size	C-DIN Flange Kit	
			Catalog Number	List Price
63	C-90	201	FLC-IM63DIN-AL	\$39
71	C-105	202	FLC-IM71DIN-BC-W22	\$43
80	C-120	204	FLC-IM80DIN-AL-BC	\$45
90	C-140	205	FLC-IM90DIN-AL-UBC	\$85
100	C-160	206	FLC-IM100DIN-AL-UBC	\$128
112	C-160	207	FLC-IM112DIN-UBC-W22	\$145
132	C-200	308	FLC-IM132DIN-AL-UBC	\$150
160	C-250	309	FLC-IM160DIN-W22	\$195

### Metric (IEC) Frames - Cast Iron - General Purpose - TEFC

Frame	Flange Size	Bearing Size	NEMA C-Flange Kit	
			Catalog Number	List Price
160	FC-184	309	FLC-IM160-W22	\$195
180	FC-228	311	FLC-IM180	\$290
200	FC-228	312	FLC-IM200	\$440
225	FC-279	314	FLC-E360-314-W22	\$575
250	FC-279	314	FLC-E400-314	\$620
280	FC-355	314	FLC-E440-314	\$830
	FC-355	316	FLC-IM280-316	\$830
315	FC-368	314	FLC-E500-314-W22	\$1,030
	FC-368	319	FLC-E500-319-W22	\$1,030
355	FC-368	316	FLC-E580-316	\$1,650
	FC-368	322	FLC-E580-322	\$1,650

### Fractional Motors - W01 Rolled Steel - TEFC

Frame	Flange Size	Bearing Size	C-Flange Kit	
			Catalog Number	List Price
48 W56	FC-149	203	FLC-E48/W56-S	\$80
56 56H	FC-149	203	FLC-E56-203-FC149-S	\$85
	FC-149	204	FLC-E56-204-S	\$85
	FC-149	205	FLC-E140-S	\$85



## C FLANGES FOR OPEN MOTORS

### NEMA Frames - W01 Rolled Steel - ODP

Frame	Flange Size	Bearing Size	C-Flange Kit	
			Catalog Number	List Price
143/5	FC-149	205	<a href="#">FLC-0140-S</a>	\$85
182/4	FC-184	206	<a href="#">FLC-0180-S</a>	\$145
213/5	FC-184	208	<a href="#">FLC-0210-S</a>	\$150
254/6	FC-184	309	<a href="#">FLC-0250-S</a>	\$195

### NEMA Frames - Cast Iron - ODP - W40

Frame	Flange Size	Bearing Size	C-Flange Kit		
			ODP*	W40	List Price
254/6	FC-184	309	<a href="#">FLC-0250 **</a>	<a href="#">FLC-0250-W40 **</a>	\$195
284/6	FC-228	311	<a href="#">FLC-0280</a>	<a href="#">FLC-0280-W40</a>	\$290
324/6	FC-279	312	<a href="#">FLC-0320</a>	<a href="#">FLC-0320-W40</a>	\$440
364/5	FC-279	314	<a href="#">FLC-0360-314</a>	<a href="#">FLC-0360/400-314-W40</a>	\$575
404/5	FC-279	316	<a href="#">FLC-0400-316</a>	<a href="#">FLC-0360/400-316-W40</a>	\$952
444/5	FC-355	314	<a href="#">FLC-0440-314</a>	-	\$830
447/9	FC-355	319	<a href="#">FLC-0440-319</a>	-	\$830
444/5	FC-355	314	-	<a href="#">FLC-0444/5-314-W40</a>	\$830
	FC-355	319	-	<a href="#">FLC-0444/5-319-W40</a>	\$830
447/9	FC-355	314	-	<a href="#">FLC-0447/9-314-W40</a>	\$830
	FC-355	319	-	<a href="#">FLC-0447/9-319-W40</a>	\$830

\* Legacy Models

\*\* Does not meet NEMA BA dimension for Flanged motors

### Fractional Motors - W01 Rolled Steel - ODP

Frame	Flange Size	Bearing Size	C-Flange Kit	
			Catalog Number	List Price
48 W56	FC-149	203	<a href="#">FLC-048/W56-S</a>	\$67
56 56H	FC-149	203	<a href="#">FLC-056-203-FC149-S</a>	\$85
	FC-149	204	<a href="#">FLC-056-204-S</a>	\$85
	FC-149	205	<a href="#">FLC-0140-S</a>	\$85

## D/F FLANGE KITS

### NEMA Frames - Cast Iron - TEFC - W22

Frame	Flange Size	Bearing Size	D-Flange Kit	
			Catalog Number	List Price
143/5	FD-254	205	FLD-E140-UBC	\$98
182/4	FD-254	207	FLD-E180-W22	\$171
213/5	FD-254	308	FLD-E210-UBC	\$184
254/6	FD-317	309	FLD-E250-W22	\$244
284/6	FD-317	311	FLD-E280	\$318
324/5	FD-406	312	FLD-E320	\$465
364/5	FD-406	314	FLD-E360-314-W22	\$620
404/5	FD-508	314	FLD-E400-314	\$765
	FD-508	316	FLD-E400-316	\$765
444/5 445/7 447/9	FD-508	314	FLD-E440-314	\$932
	FD-508	314	FLD-E440-314-VENT *	\$1,771
	FD-508	319	FLD-E440-319	\$932
	FD-508	322	FLD-E440-322	\$932
L447/9	FD-508	322	FLD-E440-322-VENT *	\$1,864
	FD-508	314	FLD-EL440-314-VENT *	\$1,890
504/5	FD-508	322	FLD-EL440-322-VENT *	\$1,987
	FD-558	314	FLD-E500-314-W22	\$1,350
586/7	FD-558	319	FLD-E500-319-W22	\$1,350
	FD-558	322	FLD-E500-322-W22	\$1,350
	FD-762	314	FLD-E580-314	\$2,130
	FD-762	314	FLD-E580-314-VENT *	\$2,343
	FD-762	322	FLD-E580-322	\$2,130
	FD-762	322	FLD-E580-322-VENT *	\$2,450
	FD-762	324	FLD-E580-324	\$2,130

\* Ventilated for improved Drive end bearing cooling

### NEMA Frames - IEEE 841

Frame	Flange Size	Bearing Size	D-Flange Kit	
			Catalog Number	List Price
213/5	FD-254	308	FLD-IE210	\$350
254/6	FD-317	309	FLD-IE250-W22	\$425
284/6	FD-317	311	FLD-IE280	\$490
324/5	FD-406	312	FLD-IE320	\$785
364/5	FD-406	314	FLD-E360-314-W22	\$620
404/5	FD-508	314	FLD-E400-314	\$765
	FD-508	316	FLD-E400-316	\$765
444/5 445/7 447/9	FD-508	314	FLD-E440-314	\$932
	FD-508	314	FLD-E440-314-VENT *	\$1,771
	FD-508	319	FLD-E440-319	\$932
	FD-508	322	FLD-E440-322	\$932
L447/9	FD-508	322	FLD-E440-322-VENT *	\$1,864
	FD-508	314	FLD-EL440-314-VENT *	\$1,890
504/5	FD-508	322	FLD-EL440-322-VENT *	\$1,987
	FD-558	314	FLD-E500-314-W22	\$1,350
586/7	FD-558	319	FLD-E500-319-W22	\$1,350
	FD-558	322	FLD-E500-322-W22	\$1,350
586/7	FD-762	314	FLD-E580-314	\$2,130
	FD-762	314	FLD-E580-314-VENT *	\$2,343
	FD-762	322	FLD-E580-322	\$2,130
	FD-762	322	FLD-E580-322-VENT *	\$2,450
	FD-762	324	FLD-E580-324	\$2,130

\* Ventilated for improved Drive end bearing cooling

**D/F FLANGE KITS, *continued***

NEMA Frames - Explosion Proof Motors - modifications must be performed by a UL Certified Service Center

Frame	Flange Size	Bearing Size	D-Flange Kit	
			Catalog Number	List Price
143/5	FD-254	205	FLD-X140	\$154
182/4	FD-254	307	FLD-X180	\$210
213/5	FD-254	308	FLD-X210	\$291
254/6	FD-317	309	FLD-X250-W21X	\$534
284/6	FD-317	311	FLD-X280-W21X	\$637
324/5	FD-406	312	FLD-X320-W21X	\$895
364/5	FD-406	314	FLD-X360-314	\$1,141
404/5	FD-508	314	FLD-X400-314	\$1,338
	FD-508	217	FLD-X400-217	\$1,338
444/5	FD-508	314	FLD-X440-314	\$1,878
445/7	FD-508	219	FLD-X440-219	\$1,878
447/9	FD-508	319	FLD-X440-319	\$1,878

**Metric (IEC) Frames - Cast Iron - TEFC**

Frame	Flange Size	Bearing Size	FF-Flange Kit	
			Catalog Number	List Price
63	FF-115	201	FLF-IM63-AL	\$76
71	FF-130	202	FLF-IM71-BC-W22	\$72
80	FF-165	204	FLF-IM80-AL-BC	\$96
90	FF-165	205	FLF-IM90-AL-UBC	\$98
100	FF-215	206	FLF-IM100-AL-UBC	\$169
112	FF-215	207	FLF-IM112-UBC-W22	\$171
132	FF-265	308	FLF-IM132-AL-UBC	\$184
160	FF-300	309	FLF-IM160-W22	\$245
180	FF-300	311	FLF-IM180	\$318
200	FF-350	312	FLF-IM200	\$465
225	FF-400	314	FLF-IM225-W22	\$620
250	FF-500	314	FLF-IM250	\$765
280	FF-500	314	FLF-IM280-314	\$932
	FF-500	316	FLF-IM280-316	\$932
315	FF-600	314	FLF-IM315-314-W22	\$1,350
	FF-600	319	FLF-IM315-319-W22	\$1,350

**D FLANGES FOR OPEN MOTORS**
**NEMA Frames - Cast Iron - ODP - W40**

Frame	Flange Size	Bearing Size	D-Flange Kit		
			ODP*	W40	List Price
284/6	FD-317	311	FLD-0280	FLD-0280-W40	\$318
324/6	FD-406	312	FLD-0320	FLD-0320-W40	\$465
364/5	FD-406	314	FLD-0360-314	FLD-0360-314-W40	\$620
404/5	FD-508	314	FLD-0400-314	FLD-0400-314-W40	\$765
	FD-508	316	FLD-0400-316	FLD-0400-316-W40	\$765
444/5	FD-508	314	FLD-0440-314	-	\$932
447/9	FD-508	319	FLD-0440-319	-	\$932
444/5	FD-508	314	-	FLD-0444/5-314-W40	\$932
	FD-508	319	-	FLD-0444/5-319-W40	\$932
447/9	FD-508	314	-	FLD-0447/9-314-W40	\$932
	FD-508	319	-	FLD-0447/9-319-W40	\$932

\* Legacy Models

Drip Cover Kits for TEFC Motors

	Frame	W22 - Cast Iron	W01 - Rolled Steel	List Price	
NEMA	48 W56	-	DRCV-E48/W56-S	\$45	
	56 140T	-	DRCV-0140-S (for Plastic Fan Cover) DRCV-E56/140-S (for Steel Fan Cover)	\$53	
	140T	DRCV-E140	-		\$89
		-	DRCV-0140-S		\$53
	180T	DRCV-E180	DRCV-E180-S	\$128	
	210T	DRCV-E210	DRCV-E210-S	\$136	
	250T	DRCV-E250-W22	DRCV-E250-S	\$167	
	280T	DRCV-E280-W22	-	\$220	
	320T	DRCV-E320-W22	-	\$344	
	360T	DRCV-E360-W22	-	\$393	
	400T	-	-	\$393	
		DRCV-E400-W22	-	\$479	
	440T	DRCV-E440-W22	-	\$819	
	500	-	-	\$819	
		DRCV-EL440-W22	-	\$952	
	L440T	DRCV-EL440-W22	-	\$952	
580	DRCV-E580-W22	-	\$1,145		
METRIC	90	DRCV-E140	-	\$89	
	100	DRCV-E100	-	\$89	
	112	DRCV-E180	-	\$95	
	132	DRCV-E210	-	\$131	
	160	DRCV-E250-W22	-	\$152	
	180	DRCV-E280-W22	-	\$220	
	200	DRCV-E320-W22	-	\$344	
	225	DRCV-E360-W22	-	\$393	
	250	-	-	\$393	
		DRCV-E400-W22	-	\$479	
	280	DRCV-E440-W22	-	\$819	
	315	-	-	\$819	
DRCV-EL440-W22		-	\$952		
355	DRCV-E580-W22	-	\$1,145		

Drip Cover Kits for ODP Motors

Frame	Cast Iron - ODP *	List Price	W40 - Cast Iron	List Price	W01 -Rolled Steel	List Price
48 W56	-	-	-	-	DRCV-E48/W56-S	\$45
C56 56 A56 B56 D56 E56 F56 G56	-	-	-	-	DRCV-056-S	\$45
140T	-	-	-	-	DRCV-0140-S	\$53
180T	-	-	-	-	DRCV-0180-S	\$128
210T	-	-	-	-	DRCV-0210-S	\$136
250T	DRCV-ODP250	\$152	DRCV-0250-W40	\$152	DRCV-0250-S	\$167
280T	DRCV-ODP280	\$220	DRCV-0280-W40	\$220	-	-
320T	DRCV-ODP320	\$366	DRCV-0320-W40	\$366	-	-
360T **	DRCV-ODP360/400	\$410	DRCV-0360-W40	\$410	-	-
360T *** 400T	DRCV-ODP360/400	\$410	DRCV-0360FL-400-W40	\$410	-	-
440T **	DRCV-ODP440	\$613	DRCV-0444/5-W40	\$613	-	-
440T ***	-	-	DRCV-0444/5FL-W40	\$613	-	-

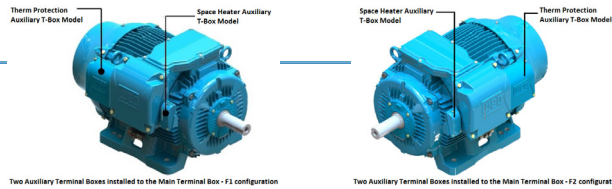
\* Legacy Models

\*\* Footed motors only

\*\*\* Footless motors only


**W22 Terminal Box - American Standard NPT**

IEC Frame Size	NEMA Frame Size	Holes	Part Number	List Price
90 100	143/5	NPT 3/4"	<a href="#">TBX-E140-W22</a>	<b>\$74</b>
112 132	182/4 213/5	NPT 1"	<a href="#">TBX-E180/210-W22</a>	<b>\$104</b>
160 180	254/6 284/6	NPT 1 1/2"	<a href="#">TBX-E250/280-W22</a>	<b>\$155</b>
200	324/6	NPT 2"	<a href="#">TBX-E320-W22</a>	<b>\$226</b>
225 250	364/5 404/5	NPT 3"	<a href="#">TBX-E360/400-3-W22</a>	<b>\$342</b>
280	444/5	2 x NPT 3"	<a href="#">TBX-E440-3-W22</a>	<b>\$523</b>
315S/M	445/7 447/9 504/5	2 x NPT 3"	<a href="#">TBX-E447/505-3-W22</a>	<b>\$749</b>
315L 355M/L	L447/9 586/7	For cable Plate	<a href="#">TBX-EL447/9-586/7-W2</a>	<b>\$1,898</b>
355A/B	588/9	-	<a href="#">Contact Parts</a>	-



## Auxiliary Terminal Boxes

For W22 only

Therm Protection Auxiliary Terminal Boxes are designed to be installed on the left side of the Main Terminal Box when F1 (right side when F2)

Frame	Therm Protection Auxiliary T-Box Model	List Price
140T	AUXTBOXF1W22-A	\$135
180T		
210T		
250T	AUXTBOXF1W22-B AUXTBOXF2W22-B	\$171
280T		
320T		
360T	AUXTBOXF1W22-C AUXTBOXF2W22-C	\$270
400T		
440T		
L440T		
500		
580		

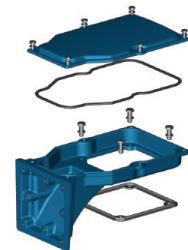
F1 and F2 on model number identifies the appropriate use for the auxiliary t-box.

If separate Auxiliary Terminal boxes are required for Thermal Sensors and Space Heaters, frames 360T and above offer a second Auxiliary Terminal Box just for the Space Heater. The Space Heater Auxiliary Terminal Box is designed to be installed on the opposite side of the Main Terminal Box from the Therm Protection Auxiliary Box.

Frame	Space Heater Auxiliary T-Box Model	List Price
360T	AUXTBOXF1W22-D AUXTBOXF2W22-D	\$270
400T		
440T		
L440T		
500		
580		

## W22 Terminal Box Adapter

IEC Frame Size	NEMA Frame Size	Part Number	List Price
225 250	364/5, 404/5	TBX-ADPT-360/400- W22	\$660
280	444/5	TBX-ADPT-444/5-W22	\$777
315S/M	445/7, 447/9, 504/5	TBX-ADPT-444/500- W22	\$921
315L	L447/9	TBX-ADPT-L440-W22	\$1,080
355	586/7 588/9	TBX-ADPT-580-W22	\$1,273



## W01 Rolled Steel Terminal Boxes

NEMA Frame Size	Thread size	Part Number	List Price
56 56H	NPT 1/2"	TBX-E56-S	\$40
143/5	NPT 3/4"	TBX-E140-S	\$62
182/4	NPT 3/4"	TBX-E180-S	\$73
213/5	NPT 1"	TBX-E210-S	\$108
254/6	NPT 1 1/4"	TBX-E250-S	\$154

## W22 Brake Motor Kit



Kit composition: Stator brake, Seal, Cube, Retaining ring, Key and Rotor brake.

FRAME	SIZE	Nominal Braking torque	205 Vcc	
			Part Number	List Price
143/5	10	16 Nm	<a href="#">BRAKE-E140-W22</a>	\$588
182/4	14	60 Nm	<a href="#">BRAKE-E180-W22</a>	\$972
213/5	16	80 Nm	<a href="#">BRAKE-E210-W22</a>	\$1,410
254/6	18	150 Nm	<a href="#">BRAKE-E250-W22</a>	\$1,985
284/6	20	260 Nm	<a href="#">BRAKE-E280-W22</a>	\$3,454
324/5	25	400 Nm	<a href="#">BRAKE-E320-W22</a>	\$5,453

## Braking Disk for W22 Brake Motor



Kit composition: Disc, Cube, Key and Retaining Ring

FRAME	Part Number	List Price
143/5	<a href="#">BDK-BM140-W22</a>	\$422
182/4	<a href="#">BDK-BM180-W22</a>	\$643
213/5	<a href="#">BDK-BM210-W22</a>	\$770
254/6	<a href="#">BDK-BM250-W22</a>	\$934
284/6	<a href="#">BDK-BM280-W22</a>	\$1,610
324/5	<a href="#">BDK-BM320-W22</a>	\$2,814

## Fan Cover for W22 Brake Motor



Kit composition: Fan Cover and Fixing bolts.

FRAME	Part Number	List Price
143/5	<a href="#">FCO-BM140-W22</a>	\$185
182/4	<a href="#">FCO-BM180-W22</a>	\$222
213/5	<a href="#">FCO-BM210-W22</a>	\$222
254/6	<a href="#">FCO-BM250-W22</a>	\$406
284/6	<a href="#">FCO-BM280-W22</a>	\$406
324/5	<a href="#">FCO-BM320-W22</a>	\$611

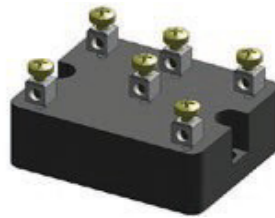


## Brake Handle for W22 Brake Motor

Kit composition: Handle and Bolts

### Brake Lever - W22 Manual Unlock

FRAME	Part Number	List Price
143/5	<a href="#">BRKHDL-BM140-W22</a>	\$78
182/4	<a href="#">BRKHDL-BM180-W22</a>	\$127
213/5	<a href="#">BRKHDL-BM210-W22</a>	\$179
254/6	<a href="#">BRKHDL-BM250-W22</a>	\$236
284/6	<a href="#">BRKHDL-BM280-W22</a>	\$453
324/5	<a href="#">BRKHDL-BM320-W22</a>	\$602



## Rectifier for W22 Brake Motor

Kit composition: Bridge Rectifier and Bolts

### BRAKE RECTIFIER

Type	VOLTAGE	Part Number	List Price
BRIDGE RECTIFIER	220V	<a href="#">REC-BM220V</a>	\$148
HALF BRIDGE RECTIFIER	360V	<a href="#">REC-BM440V</a>	
	440V		
	575V	<a href="#">REC-BM575V</a>	



## Terminal Box for W22 Brake Motor

Kit composition: Terminal box, Fixing bolts, Rubber gaskets, Terminal box cover, Cover fixing bolts.

IEC Frame Size	NEMA Frame Size	H	Part Number	List Price
90 - 100	143/5	NPT	<a href="#">TBX-BM140-W22</a>	\$135
112 - 132	182/4 - 213/5	NP	<a href="#">TBX-BM180/210-W22</a>	\$177
160 - 180	254/6 - 284/6	NPT 1 1/2"	<a href="#">TBX-BM250/280-W22</a>	\$191
200	324/6	NPT 2"	<a href="#">TBX-BM320-W22</a>	\$238

\* Stocked terminal boxes are RAL5009 Blue



## Encoders

Motor requires Stub-shaft for installation of the encoder (exception to the TENV Vector Duty motors - page A-417)

WEG Catalog Number	MFG Catalog Number	MFG	Specification	List Price
<b>ECHSD38-D</b>	HSD38102484370	Dynapar	PPR:1024/ Bore size: 5/8" / Format: Differential Bi-Directional A/Anot,B/Bnot,Z/Znot/ Output: 5-26Vin, 5-26V differential line driver out (7272 chip set)/ Termination:10 pin MS connector/ Housing: aluminum, slotted tether with cover kit (basket). Optical	<b>\$1,418</b>
<b>ECHS35M-A</b>	HS35MYX6CCU0DA00	Avtron	PPR:1024/ Bore size: 5/8" / Format: Differential Bi-Directional A/Anot,B/Bnot,Z/Znot/ Output: 5-24Vin, 5-24V differential line driver out (7272 chipset)/ Termination:10 pin connector/ Housing: aluminum, slotted tether. Magnetic	<b>\$2,150</b>

*Different encoders may be available upon inquiry*

## Encoders TEBC Motors

Motor Frame	WEG Catalog Number	MFG Catalog Number	MFG	Specification	List Price
140T 180T	<b>ECHSD38-D</b>	HSD38102484370	Dynapar	PPR:1024/ Bore size: 5/8" / Format: Differential Bi-Directional A/Anot,B/Bnot,Z/Znot/ Output: 5-26Vin, 5-26V differential line driver out (7272 chip set)/ Termination:10 pin MS connector/ Housing: aluminum, slotted tether with cover kit (basket). Optical	<b>\$1,418</b>
210T 250T 280T 320T	<b>ECHS35RTEBC-D</b>	HS35R1024837X40	Dynapar	PPR:1024/ Bore size: 5/8" / Format: Differential Bi-Directional A/Anot,B/Bnot,Z/Znot/ Output: 5-26Vin, 5-26V differential line driver out (7272 chip set)/ Termination:10 pin connector W/ PIGTAIL. Housing: aluminum, slotted tether.	<b>\$1,845</b>
360T 400T 440T 500 580	<b>ECHS35RTEBC-D</b>	HS35R1024837X40	Dynapar	PPR:1024/ Bore size: 5/8" / Format: Differential Bi-Directional A/Anot,B/Bnot,Z/Znot/ Output: 5-26Vin, 5-26V differential line driver out (7272 chip set)/ Termination:10 pin connector W/ PIGTAIL. Housing: aluminum, slotted tether.	<b>\$1,845</b>

## Stub Shafts

### TEFC W22 Motors

Catalog Number	Applicable to W22*:	Description	List Price
STUBSHAFT-B-TEFC	180T 210T 250T 280T 320T	M12X1.75 Thread for use with 5/8" bore encoder	\$240
STUBSHAFT-C-TEFC	360T 400T 440T 580	M20X2.5 Thread for use with 5/8" bore encoder	\$240
STUBSHAFT-D-TEFC	L440T 500		\$270

IMPORTANT: These stub shafts might not be compatible with W21 motors

\*Super Premium W22 frames 284T and above have NDE shaft drilled and tapped to receive stub shaft. Any other will require the NDE shaft to be drilled and tapped

### TENV Motors (Vector Duty)

Current design of Vector Duty motors do not require stub shaft for encoder installation. The motor is being supplied with dual flange and extended NDE shaft for this purpose (5/8" diameter)

### TEBC Motors

Catalog Number	Applicable to W22*:	Description	List Price
STUBSHAFT-A-TEFC	140T	M8X1.25 THREAD for use with 5/8" bore encoder	\$220
STUBSHAFT-B-TEFC	180T 210T 250T 280T 320T	M12X1.75 Thread for use with 5/8" bore encoder	\$240
STUBSHAFT-C-TEFC	360T 400T 440T L440T 500 580	M20X2.5 Thread for use with 5/8" bore encoder	\$240

### Encoder Cables

Catalog Number	Description	List Price
ENCCBLMS-10	10 FT. ENCODER CABLE WITH 10 PIN MS CONNECTOR	\$232
ENCCBLMS-20	20 FT. ENCODER CABLE WITH 10 PIN MS CONNECTOR	\$413
ENCCBLMS-30	30 FT. ENCODER CABLE WITH 10 PIN MS CONNECTOR	\$454
ENCCBLMS-50	50 FT. ENCODER CABLE WITH 10 PIN MS CONNECTOR	\$672

### Insulated Bearing Housing Endshields

Catalog Number	Frame Series	Bearing Size	List Price
NDE-E360T-314-I-W22	360T	6314	\$2,150
NDE-E400T-314-I-W22	400T	6314	\$2,150
NDE-E440T-314-I-W22	440T	6314	\$2,592
NDE-E440T-316-I-W22	440T	6316	\$2,592
NDE-E440T-319-I-W22	440T	6319	\$2,592
NDE-EL440T-314-I-W22	L440	6314	\$3,220
NDE-EL440T-319-I-W22	L440	6319	\$3,220
NDE-E580-314-I-W22	580	6314	\$3,371
NDE-E580-319-I-W22	580	6319	\$3,371



## Competitor C-Box to WEG W22 Frame Adapter

The users report that during installation of new replacement motors, it is far easier to reuse the old junction box rather than break the box loose from the conduit. This becomes difficult however when going from one brand to another, as all manufacturers have a different bolt pattern and bolt size. This adapter plate simplifies this process and makes it easier than ever before.

Catalog Number	Description	List Price
<a href="#">WEG280-SIEM</a>	ADAPTER PLATE WEG/Siemens 280T	<b>\$181</b>
<a href="#">WEG320-SIEM</a>	ADAPTER PLATE WEG/Siemens 320T	<b>\$202</b>
<a href="#">WEG360-400-SIEM</a>	ADAPTER PLATE WEG/Siemens 360T & 400T	<b>\$224</b>
<a href="#">WEG444/5-SIEM</a>	ADAPTER PLATE WEG/Siemens 444/5T	<b>\$228</b>
<a href="#">WEG445/7-447/9-SIEM</a>	ADAPTER PLATE WEG/Siemens 445/7T & 447/9TT	<b>\$263</b>
<a href="#">WEG180-USEM</a>	ADAPTER PLATE WEG/USEM 180T	<b>\$177</b>
<a href="#">WEG250-280-USEM</a>	ADAPTER PLATE WEG/USEM 250T & 280T	<b>\$181</b>
<a href="#">WEG320-USEM</a>	ADAPTER PLATE WEG/USEM 320T	<b>\$202</b>
<a href="#">WEG360-400-USEM</a>	ADAPTER PLATE WEG/USEM 360T & 400T	<b>\$224</b>
<a href="#">WEG445/7-447/9-USEM</a>	ADAPTER PLATE WEG/USEM 445/7T & 447/9TT	<b>\$263</b>
<a href="#">WEG250-280-REL</a>	ADAPTER PLATE WEG/Reliance 250T & 280T	<b>\$181</b>
<a href="#">WEG320-REL</a>	ADAPTER PLATE WEG/Reliance 320T	<b>\$202</b>
<a href="#">WEG360-400-REL</a>	ADAPTER PLATE WEG/Reliance 360T & 400T	<b>\$224</b>
<a href="#">WEG444/5-REL</a>	ADAPTER PLATE WEG/Reliance 444/5T	<b>\$228</b>
<a href="#">WEG445/7-447/9-REL</a>	ADAPTER PLATE WEG/USEM 445/7T & 447/9TT	<b>\$263</b>

## Blower Kits for TEFC-to-TEBC Motor Conversion - W22 (200-240/380-415/440-460 with 6 leads)

Frame (NEMA/IEC)	Catalog Number	List Price
140T/90	<a href="#">BLK-E140</a>	<b>\$1,149</b>
180T/112	<a href="#">BLK-E180</a>	<b>\$1,260</b>
210T/132	<a href="#">BLK-E210</a>	<b>\$1,452</b>
250T/160	<a href="#">BLK-E250-W22</a>	<b>\$1,573</b>
280T/180	<a href="#">BLK-E280</a>	<b>\$1,658</b>
320T/200	<a href="#">BLK-E320</a>	<b>\$1,821</b>
360T/225	<a href="#">BLK-E360-W22</a>	<b>\$2,038</b>
400T/250	<a href="#">BLK-E400-W22</a>	<b>\$2,159</b>
444/5T	<a href="#">BLK-E444/5-W22</a>	<b>\$2,561</b>
445/7T 447/9T/280	<a href="#">BLK-E445/7-447/9-W22</a>	<b>\$2,561</b>
500/315	<a href="#">BLK-EL449/500-W22</a>	<b>\$3,025</b>
L440T/315L	<a href="#">BLK-EL449/500-W22</a>	<b>\$3,025</b>
580/355	<a href="#">BLK-E580-W22</a>	<b>\$3,632</b>

\* These kit require NDE Endshield be changed for proper fit See pars below

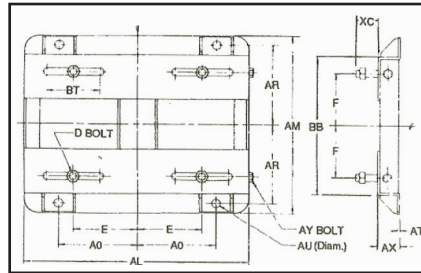
### NDE Endshield for Blower kit 250-320T frames

Catalog Number	Frame	Description	List Price
<a href="#">16503637</a>	250T	TEFC-TEBC conversion End Shield -W22	<b>\$140.40</b>
<a href="#">16503738</a>	250T	TEFC-TEBC conversion End Shield - IEE841	<b>\$500.36</b>
<a href="#">16503739</a>	280T	TEFC-TEBC conversion End Shield -W22	<b>\$211.92</b>
<a href="#">16503740</a>	280T	TEFC-TEBC conversion End Shield - IEE841	<b>\$501.52</b>
<a href="#">16503741</a>	320T	TEFC-TEBC conversion End Shield -W22	<b>\$283.12</b>
<a href="#">16503742</a>	320T	TEFC-TEBC conversion End Shield - IEE841	<b>\$535.68</b>

Terminal Block Kits

IEC Frames	NEMA Frames*	Catalog Number	Bolt Thread	List Price
63	-	TERMBLCK-W22-63-100	M4	\$35
71	-			
80	-			
90	140T			
100	-			
112	180T	TERMBLCK-W22-112/132	M5	\$52
132	210T	TERMBLCK-W22-160/180	M6	\$86
160	250T			
180	280T			
200	320T	TERMBLCK-W22-200	M8	\$151
225	360T	TERMBLCK-W22-225/250	M10	\$280
250	400T			
280	440T			
315	500	TERMBLCK-W22-280	M12	\$533
315L	L440T	TERMBLCK-W22-315S/M	M12	\$533
355	580	TERMBLCK-W22-355M/L	M16	\$1,032

\* NEMA Frames should require an adapter plate for the terminal block installation



Motor Sliding Bases

Frame	Catalog Number	Style	AR	AU	BT	Shipping Weight (approx)	List Price
143T	SMB-143T	A	3 3/8	3/8	3	5	\$73
145T	SMB-145T	A	3 7/8	3/8	3	6	\$73
182T	SMB-182T	A	4 1/4	1/2	3	9	\$87
182T	SMB-182TA2	A2	4 1/4	1/2	3	9	\$120
184T	SMB-184T	A	4 3/4	1/2	3	10	\$87
184T	SMB-184TA2	A2	4 3/4	1/2	3	10	\$120
213T	SMB-213T	A	4 3/4	1/2	3 1/2	14	\$118
215T	SMB-215T	A	5 1/2	1/2	3 1/2	15	\$118
254T	SMB-254T	B2	6 5/8	5/8	4	17	\$220
256T	SMB-256T	B2	7 1/2	5/8	4	18	\$220
284T	SMB-284T	B2	7 1/2	5/8	4 1/2	21	\$240
286T	SMB-286T	B2	8 1/4	5/8	4 1/2	22	\$240
324T	SMB-324T	B2	8 1/2	3/4	5 1/4	31	\$321
326T	SMB-326T	B2	9 1/4	3/4	5 1/4	32	\$321
364T	SMB-364T	B2	9 1/8	3/4	6	44	\$410
365T	SMB-365T	B2	9 5/8	3/4	6	45	\$410
404T	SMB-404T	B2	9 7/8	7/8	7	55	\$600
405T	SMB-405T	B2	10 5/8	7/8	7	61	\$600
444T	SMB-444T	B2	11	7/8	7 1/2	76	\$746
445T	SMB-445T	B2	12	7/8	7 1/2	78	\$746
447T	SMB-447T	B2	13 3/4	7/8	7 1/2	89	\$1,023
449T	SMB-449T	B2	16 1/4	7/8	7 1/2	95	\$1,023
504T	SMB-504	C	12 1/2	1	-	108	\$1,422
505T	SMB-505	C	13 1/2	1	-	135	\$1,422
586T	SMB-580	Pair of Slide Rails	13	4 3/8	-	183	\$3,504

Parts & Modifications

**W22 Plastic Fan Guide**
**For "S" Standard Efficiency Level**

IEC FRAME SIZE	NEMA FRAME SIZE	POLE	Catalog Number	List Price
63	-	All	<a href="#">FAN-E63</a>	\$6
71	-	All	<a href="#">FAN-E71</a>	\$7
80	-	All	<a href="#">FAN-E80</a>	\$8
90	143/5	All	<a href="#">FAN-FD56/140-17MM</a>	\$12
100	-	All	<a href="#">FAN-E100</a>	\$18
112	182/4	2	<a href="#">FAN-E180W2102P</a>	\$12
		4/6/8	<a href="#">FAN-E180W2104P</a>	\$19
132	213/5	2	<a href="#">FAN-E2102P</a>	\$17
		4/6/8	<a href="#">FAN-E2104P</a>	\$24
160	254/6	2	<a href="#">FAN-E2502P</a>	\$12
		4/6/8	<a href="#">FAN-E2504P</a>	\$24
180	284/6	2	<a href="#">FAN-E2802P</a>	\$12
		4/6/8	<a href="#">FAN-E2804P</a>	\$24
200	324/6	2	<a href="#">FAN-E3202P</a>	\$18
		4/6/8	<a href="#">FAN-E3204P</a>	\$27

**For "P" High Efficiency Level**

IEC FRAME SIZE	NEMA FRAME SIZE	POLE	Catalog Number	List Price
63	-	All	<a href="#">FAN-E63</a>	\$6
71	-	All	<a href="#">FAN-E71</a>	\$7
80	-	2	<a href="#">FAN-E71</a>	\$7
		4/6/8	<a href="#">FAN-E80</a>	\$8
90	143/5	2/4	<a href="#">FAN-E80</a>	\$8
		6/8	<a href="#">FAN-FD56/140-17MM</a>	\$12
100	-	All	<a href="#">FAN-E100</a>	\$18
112	182/4	2/4	<a href="#">FAN-E180W2102P</a>	\$12
		6/8	<a href="#">FAN-E180W2104P</a>	\$19
132	213/5	2/4	<a href="#">FAN-E180W2102P</a>	\$12
		6/8	<a href="#">FAN-E2104P</a>	\$24
160	254/6	2	<a href="#">FAN-E2502P</a>	\$12
		4/6/8	<a href="#">FAN-E2504P</a>	\$24
180	284/6	2	<a href="#">FAN-E2802P</a>	\$12
		4/6/8	<a href="#">FAN-E2804P</a>	\$24
200	324/6	2	<a href="#">FAN-E3202P</a>	\$18
		4/6/8	<a href="#">FAN-E3204P</a>	\$27

*continued on next page*

## W22 Plastic Fan Guide - *continued*

### For "T" Nema Prem. Efficiency Level

IEC FRAME SIZE	NEMA FRAME SIZE	POLE	Catalog Number	List Price
63	-	All	FAN-E63	\$6
71	-	All	FAN-E71	\$7
80	-	2	FAN-E71	\$7
		4/6/8	FAN-E80	\$8
90	143/5	2/4	FAN-E80	\$8
		6/8	FAN-FD56/140-17MM	\$12
100	-	All	FAN-E100	\$18
112	182/4	2/4	FAN-E180W2102P	\$12
		6/8	FAN-E180W2104P	\$19
132	213/5	2/4	FAN-E180W2102P	\$12
		6/8	FAN-E2104P	\$24
160	254/6	2/4	FAN-E2502P	\$12
		6/8	FAN-E2504P	\$24
180	284/6	2/4	FAN-E2802P	\$12
		6/8	FAN-E2804P	\$24
200	324/6	2/4	FAN-E3202P	\$18
		6/8	FAN-E3204P	\$27

### For "S" and "P" Stand. And High Efficiency Level (360 frame and up)

IEC FRAME SIZE	NEMA FRAME SIZE	POLE	Catalog Number	List Price
225S/M	364/5	2	FAN-E360/4002P-W22	\$59
		4/6/8	FAN-11482642-W22	\$74
250S/M	404/5	2	FAN-E360/4002P-W22	\$59
		4/6/8	FAN-11482642-W22	\$74
280S/M	444/5 445/7 447/9	2	FAN-E444-505/2P-W22	\$63
		4/6/8	FAN-E440/500468P-W22	\$89
315S/M	504/5	2	FAN-11482679-W22	\$66
		4/6/8	FAN-E444-505/2P-W22	\$63
315L	-	2	FAN-11482679-W22	\$66
		4/6/8	N/A	
-	L447/9	2	FAN-11482679-W22	\$66
		4/6/8	N/A	
355M/L	586/7	2	FAN-11482679-W22	\$66
		4/6/8	N/A	
355A/B	588/9	All	N/A	

*continued on next page*

**W22 Plastic Fan Guide - continued**

For "T" Nema Prem. Efficiency Level (360 and up)

IEC FRAME SIZE	NEMA FRAME SIZE	POLE	Catalog Number	List Price
225S/M	364/5	2	FAN-E360/4002P-W22	\$59
		4	FAN-E444-505/2P-W22	\$63
		6/8	FAN-11482642-W22	\$74
250S/M	404/5	2	FAN-E360/4002P-W22	\$59
		4	FAN-11482679-W22	\$66
		6/8	FAN-11482642-W22	\$74
280S/M	444/5 445/7 447/9	2	FAN-E444-505/2P-W22	\$63
		4	FAN-11482642-W22	\$74
		6/8	FAN-E440/500468P-W22	\$89
315S/M	504/5	2	FAN-E444-505/2P-W22	\$63
		4	FAN-11482642-W22	\$74
		6/8	FAN-E440/500468P-W22	\$89
315L	-	2	FAN-11482679-W22	\$66
		4	FAN-E440/500468P-W22	\$89
		6/8	N/A	
-	L447/9	2	FAN-11482679-W22	\$66
		4/6/8	N/A	
355M/L	586/7	2	FAN-11482679-W22	\$66
		4	FAN-11482679-W22	\$66
		6/8	N/A	
355A/B	588/9	All	N/A	

## W22 Aluminum Fan Guide

### For "S" Standard Efficiency Level

IEC FRAME SIZE	NEMA FRAME SIZE	POLE	Catalog Number	List Price
63	-	All	FAN-E63-AL	\$55
71	-	All	FAN-E71-AL	\$70
80	-	All	FAN-E80-AL	\$88
90	143/5	All	FAN -E1404P-AL	\$116
100	-	All	FAN-E100-AL	\$161
112	182/4	2	FAN-E180W21024P-AL	\$112
		4/6/8	FAN-E1804P-AL-B	\$223
132	213/5	2	FAN-E210-2/8P-AL	\$147
		4/6/8	FAN-E210-4/6P-AL	\$313
160	254/6	2	FAN-E2502-4P-AL-W22	\$116
		4/6/8	FAN-E2504P-AL-B	\$259
180	284/6	2	FAN-E2802P-AL	\$112
		4/6/8	FAN-E2804P-AL-W22	\$161
200	324/6	2	FAN-E3202P-AL-W22	\$157
		4/6/8	FAN-E3204P-AL	\$421

### For "P" High Efficiency Level

IEC FRAME SIZE	NEMA FRAME SIZE	POLE	Catalog Number	List Price
63	-	All	FAN-E63-AL	\$55
71	-	All	FAN-E71-AL	\$70
80	-	2	FAN-E71-AL	\$70
		4/6/8	FAN-E80-AL	\$88
90	143/5	2/4	FAN-E80-AL	\$88
		6/8	FAN-E1404P-AL	\$116
100	-	All	FAN-E100-AL	\$161
112	182/4	2/4	FAN-E180W21024P-AL	\$112
		6/8	FAN-E1804P-AL-B	\$223
132	213/5	2/4	FAN-E180W21024P-AL	\$112
		6/8	FAN-E210-4/6P-AL	\$313
160	254/6	2	FAN-E2502-4P-AL-W22	\$116
		4/6/8	FAN-E2504P-AL-B	\$259
180	284/6	2	FAN-E2802P-AL	\$112
		4/6/8	FAN-E2804P-AL-W22	\$161
200	324/6	2	FAN-E3202P-AL-W22	\$157
		4/6/8	FAN-E3204P-AL	\$421

continued on next page



**W22 Aluminum Fan Guide - *continued***
**For "T" NEMA Premium® Efficiency Level**

IEC FRAME SIZE	NEMA FRAME SIZE	POLE	Catalog Number	List Price
63	-	All	<a href="#">FAN-E63-AL</a>	\$55
71	-	All	<a href="#">FAN-E71-AL</a>	\$70
80	-	2	<a href="#">FAN-E71-AL</a>	\$70
		4/6/8	<a href="#">FAN-E80-AL</a>	\$88
90	143/5	2/4	<a href="#">FAN-E80-AL</a>	\$88
		6/8	<a href="#">FAN-E1404P-AL</a>	\$116
100	-	All	<a href="#">FAN-E100-AL</a>	\$161
112	182/4	2/4	<a href="#">FAN-E180W21024P-AL</a>	\$112
		6/8	<a href="#">FAN-E1804P-AL-B</a>	\$223
132	213/5	2/4	<a href="#">FAN-E180W21024P-AL</a>	\$112
		6/8	<a href="#">FAN-E210-4/6P-AL</a>	\$313
160	254/6	2/4	<a href="#">FAN-E2502-4P-AL-W22</a>	\$116
		6/8	<a href="#">FAN-E2504P-AL-B</a>	\$259
180	284/6	2/4	<a href="#">FAN-E2802P-AL</a>	\$112
		6/8	<a href="#">FAN-E2804P-AL-W22</a>	\$161
200	324/6	2/4	<a href="#">FAN-E3202P-AL-W22</a>	\$157
		6/8	<a href="#">FAN-E3204P-AL</a>	\$421

**For "S" and "P" Efficiency Level (Frame sizes 360 and up)**

IEC FRAME SIZE	NEMA FRAME SIZE	POLE	Catalog Number	List Price
225S/M	364/5	2	<a href="#">FAN-E360-4002PAL-W22</a>	\$205
		4/6/8	<a href="#">FAN-11101736-AL-W22</a>	\$580
250S/M	404/5	2	<a href="#">FAN-E360-4002PAL-W22</a>	\$205
		4/6/8	<a href="#">FAN-11101736-AL-W22</a>	\$580
280S/M	444/5 445/7 447/9	2	<a href="#">FAN-11101737-AL-W22</a>	\$250
		4/6/8	<a href="#">FAN-W22-11101738-AL</a>	\$902
315S/M	504/5	2	<a href="#">FAN-W22-11101739-AL</a>	\$280
		4/6/8	<a href="#">FAN-W22-11101738-AL</a>	\$902
315L	-	2	<a href="#">FAN-W22-11101739-AL</a>	\$280
		4/6/8	<a href="#">FAN-W22-11101744-AL</a>	\$2,042
-	L447/9	2	<a href="#">FAN-W22-11101739-AL</a>	\$280
		4/6/8	<a href="#">FAN-W22-11101744-AL</a>	\$2,042
355M/L	586/7	2	<a href="#">FAN-W22-11101739-AL</a>	\$280
		4	<a href="#">FAN-W22-11101744-AL</a>	\$2,042
		6/8	<a href="#">FAN-11101746-AL-W22</a>	\$3,293
355A/B	588/9	2	<a href="#">FAN-11272463-AL-W22</a>	\$511
		4	<a href="#">FAN-W22-11101744-AL</a>	\$2,042
		6/8	<a href="#">FAN-11101746-AL-W22</a>	\$3,293

*continued on next page*

W22 Aluminum Fan Guide - *continued*

For "T" Nema Prem. Efficiency Level(Frame sizes 360 and up)

IEC FRAME SIZE	NEMA FRAME SIZE	POLE	Catalog Number	List Price
225S/M	364/5	2	FAN-E360-4002PAL-W22	\$205
		4	FAN-11101737-AL-W22	\$250
		6/8	FAN-11101736-AL-W22	\$580
250S/M	404/5	2	FAN-E360-4002PAL-W22	\$205
		4	FAN-W22-11101739-AL	\$280
		6/8	FAN-11101736-AL-W22	\$580
280S/M	444/5 445/7 447/9	2	FAN-11101737-AL-W22	\$250
		4	FAN-11101736-AL-W22	\$580
		6/8	FAN-W22-11101738-AL	\$902
315S/M	504/5	2	FAN-11101737-AL-W22	\$250
		4	FAN-11101736-AL-W22	\$580
		6/8	FAN-W22-11101738-AL	\$902
315L	-	2	FAN-W22-11101739-AL	\$280
		4	FAN-W22-11101738-AL	\$902
		6/8	FAN-W22-11101744-AL	\$2,042
-	L447/9	2	FAN-W22-11101739-AL	\$280
		4/6/8	FAN-W22-11101744-AL	\$2,042
355M/L	586/7	2	FAN-W22-11101739-AL	\$280
		4	FAN-W22-11101738-AL	\$902
		6/8	FAN-11101746-AL-W22	\$3,293
355A/B	588/9	2	FAN-11272463-AL-W22	\$511
		4	FAN-W22-11101744-AL	\$2,042
		6/8	FAN-11101746-AL-W22	\$3,457

W22 Fan Cover

IEC Frame Size	NEMA Frame Size	Note	Catalog Number	List Price
63	-	N/A	FCO-E63	\$23
71	-		FCO-E71	\$23
80	-		FCO-E80	\$23
90	143/5		FCO-E140-W22	\$26
100	-		FCO-E100	\$33
112	182/4		FCO-E180-W22	\$38
132	213/5		FCO-E210-W22	\$53
160	254/6	For Motors with Grease Nipple	FCO-E250-W22	\$121
180	284/6		FCO-E280-W22	\$149
200	324/6		FCO-E320-W22	\$256
225	364/5		FCO-E360-W22	\$672
250	404/5		FCO-E400-W22	\$672
280	444/5 445/7 447/9		FCO-E440-W22	\$1,032
315	504/5		FCO-E500-W22	\$1,032
-	L447/9		FCO-EL440-W22	\$1,032
355	586/7 588/9		FCO-E580-W22	\$1,605

Parts & Modifications

**W01 Rolled Steel Fan**

NEMA Frame Size	Pole	Part number	List Price
48 W56	All	FAN-E80	\$8
56 56H	All	FAN-FD56/140-15MM	\$12
143/5	All	FAN-FD56/140-15MM	\$12
182/4	2	FAN-FD56/140-15MM	\$12
	4/6	FAN-E100	\$18
213/5	2	FAN-E180W2102P	\$12
	4/6	FAN-E180W2104P	\$19
254/6	2	FAN-E2102P	\$17
	4/6	FAN-E2104P	\$24

**W01 Rolled Steel Fan Cover**

NEMA Frame Size	Part number	List Price
48 W56	FCO-E48/W56-S	\$20
56 56H 143/5	FCO-E56/140-S (Plastic Fan Cover) FCO-E56/140-STL-S (Steel Fan Cover) Not interchangeable	\$18.20
143/5	FCO-E56/140-S	\$19
182/4	FCO-E180-S	\$45.30
213/5	FCO-E210-S	\$49
254/6	FCO-E250-S	\$89



Electrical Data

SECTION B

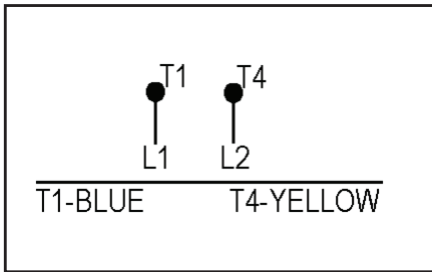
Single-Phase Wiring Diagrams . . . . . B-2  
Three-Phase Wiring Diagrams . . . . . B-3

# Single-Phase Wiring Diagrams

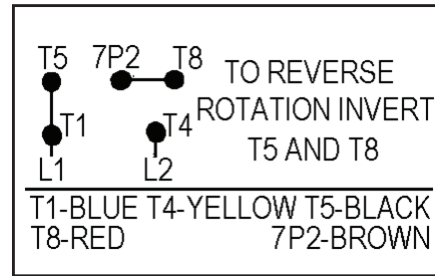
ALWAYS USE WIRING DIAGRAM SUPPLIED ON MOTOR NAMEPLATE

## FOR MOTORS WITH THERMAL PROTECTION

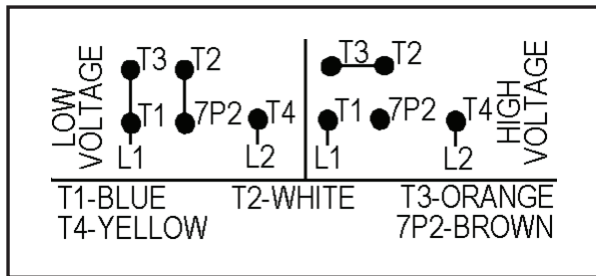
Single Voltage / Single Rotation



Single Voltage / Reversible Rotation

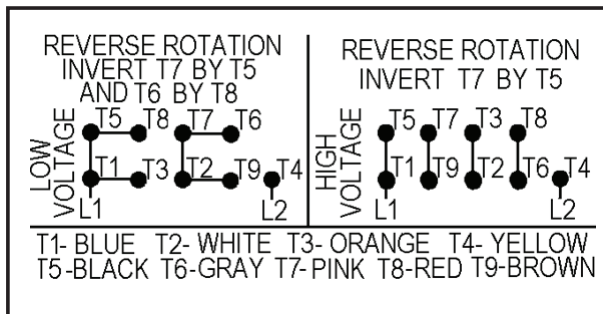


Dual Voltage / Single Rotation

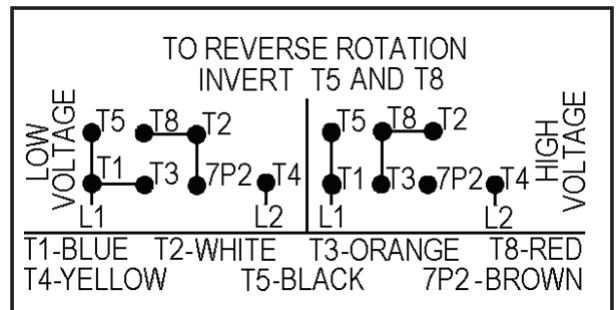


Dual Voltage / Reversible Rotation

Split-Phase Motor



Capacitor Motor

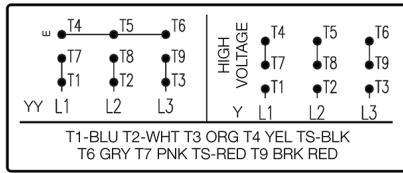


# Three-Phase Wiring Diagrams

**ALWAYS USE WIRING DIAGRAM SUPPLIED ON MOTOR NAMEPLATE**

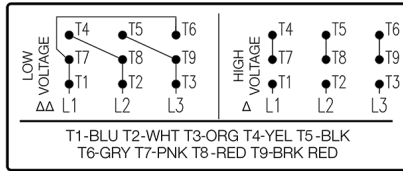
*colored leads are only applicable on the NEW ROLLED STEEL motor lines*

DOL



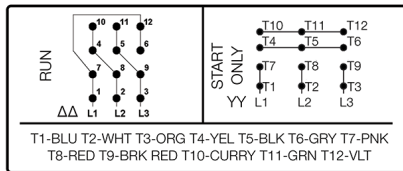
**9 leads | Valid for voltage Code: E | Frames 56 and 143/5**

DOL

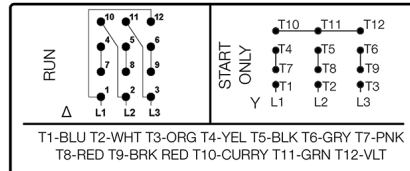


**9 leads | Valid for voltage Code: E | Frames 182/4 and 213/5 for E Code (except for fire pump motors)**

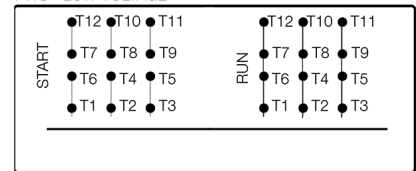
WYE-DELTA - LOW VOLTAGE



WYE-DELTA - HIGH VOLTAGE



PWS - LOW VOLTAGE

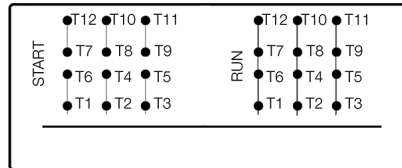
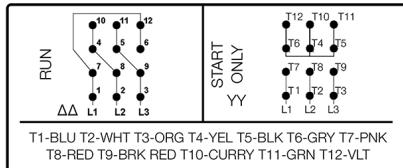


**12 leads | Valid for voltage Code: E and V | Frames 254/6 and above**

**Motors are capable of WYE/Delta start (both voltages)**

**Motors capable of part-winding start at the low voltage**

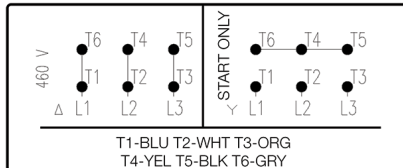
WYE-DELTA



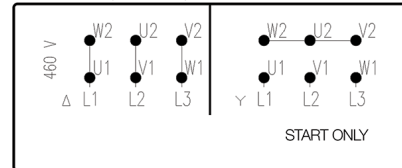
**12 leads | Valid for voltage Code: G | Frames 254/6 and above**

**Motors are capable of WYE/Delta start | Motors are capable of part-winding start**

WYE-DELTA



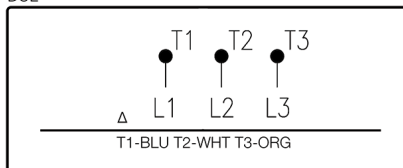
WYE-DELTA (IEC - Metric)



**6 leads | Valid for voltage Code: J, H, P, Q, W & Y | All frames**

**Q and H codes may have only 3 leads (1HP and all IEEE models)**

DOL



**3 leads | Valid for voltage Code: Q and H | All frames**

**Q and H codes, non-IEEE-841 motors, can also have 6 leads**

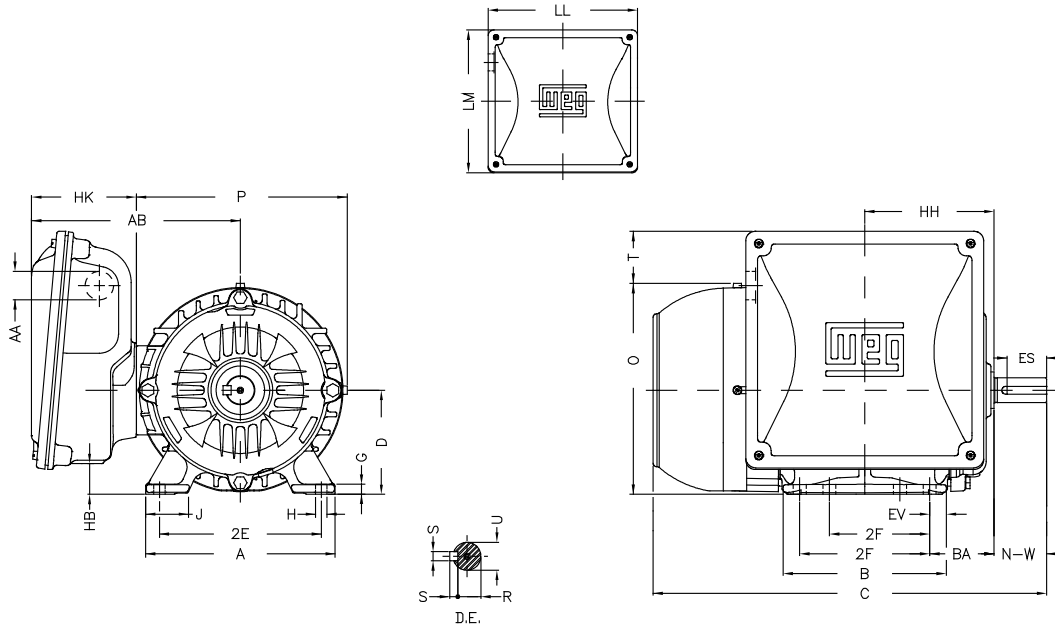
Single Phase - General Purpose - TEFC - Cast Iron . . . . .	B-5
Single Phase - General Purpose - TEFC - Cast Iron - C-Face . . . . .	B-7
Single Phase - General Purpose - TEFC - Rolled Steel - Standard Efficiency . . . . .	B-9
Single Phase - General Purpose - TEFC - Rolled Steel - Standard Efficiency - C-Face . . . . .	B-11
Single Phase - General Purpose - ODP - Rolled Steel - Standard Efficiency . . . . .	B-13
Single Phase - General Purpose - ODP - Rolled Steel - Standard Efficiency - C-Face . . . . .	B-15
Single Phase - General Purpose - ODP - Rolled Steel - Premium Efficiency . . . . .	B-17
Single Phase - General Purpose - ODP - Rolled Steel - Premium Efficiency - C-Face . . . . .	B-19
TEFC – W22 NEMA Premium® Efficiency . . . . .	B-21
C & D Flanges Dimensions – Valid for Cast Iron TEFC and ODP - C-Flange additional detail . . . . .	B-23
D-Flange additional detail . . . . .	B-23
Rolled Steel - General Purpose - Three Phase - TEFC . . . . .	B-24
Rolled Steel - General Purpose - Three Phase - ODP . . . . .	B-26
ODP – Cast Iron - Three Phase - General Purpose . . . . .	B-27
Explosion Proof - Three Phase . . . . .	B-30
Fractional - Three Phase - TEFC - NEMA Premium® . . . . .	B-32
Fractional - Three Phase - TEFC - NEMA Premium® - C-Face . . . . .	B-33
Fractional - Three Phase - TEFC - Standard Efficiency . . . . .	B-34
Fractional - Three Phase - TEFC - Standard Efficiency - C-Face . . . . .	B-35
Fractional - Three Phase - ODP - Premium Efficiency . . . . .	B-36
Fractional - Three Phase - ODP - Premium Efficiency - C-Face . . . . .	B-37
Fractional - Three Phase - ODP - Standard Efficiency . . . . .	B-38
Fractional - Three Phase - ODP - Standard Efficiency - C-Face . . . . .	B-39
Cooling Tower Motors - Three Phase - TEFC . . . . .	B-40
Cooling Tower Motors - Three Phase - TEAO . . . . .	B-44
CCP - JM - Three Phase - TEFC - Rolled Steel . . . . .	B-47
CCP - JM - Three Phase - TEFC - Cast Iron . . . . .	B-49
CCP - JP - Three Phase - TEFC - Rolled Steel . . . . .	B-52
CCP - JP - Three Phase - TEFC - Cast Iron . . . . .	B-54
CCP - JM - Three Phase - ODP - Rolled Steel . . . . .	B-57
CCP - JP - Three Phase - ODP - Rolled Steel . . . . .	B-57
CCP - JP and JM - Three Phase - ODP - Cast Iron . . . . .	B-60
IEC Metric Motors - Cast Iron Frames . . . . .	B-62
IEC Metric Motors - Cast Iron Frames - Additional C-Flange Detail . . . . .	B-64

## Single Phase - General Purpose - TEFC - Cast Iron

Frame	2E	J	A	P	AB	2F	B	EV	BA	U	N-W	Key Length
143/5T	5.5	1.457	6.457	7.244	7.126	4	6.142	0.571	2.25	0.875	2.25	1.575
182/4T	7.5	1.614	8.661	8.937	8.11	4.5	6.969	0.734	2.75	1.125	2.75	1.969
213/5T	8.5	1.791	9.764	10.787	9.212	5.5	8.858	0.929	3.5	1.375	3.375	2.48

Frame	Width	R	Depth	D	G	HB	O	HH	HK	Hole H	C	LM	S	AA	DE	NDE
143/5T	0.187	0.766	0.187	3.5	0.354	1.043	7.122	4.75	3.583	0.34	14.49	8.11	0.187	NPT 3/4"	6205 ZZ	6203 ZZ
182/4T	0.25	0.984	0.25	4.5	0.394	1.574	8.897	5.5	3.7	0.41	17.012	9.134	0.25	NPT 1"	6207 ZZ	6206 ZZ
213/5T	0.313	1.203	0.313	5.25	0.669	2.362	10.84	7	3.7	0.41	20.095	9.134	0.313	NPT 1"	6308 ZZ	6206 ZZ

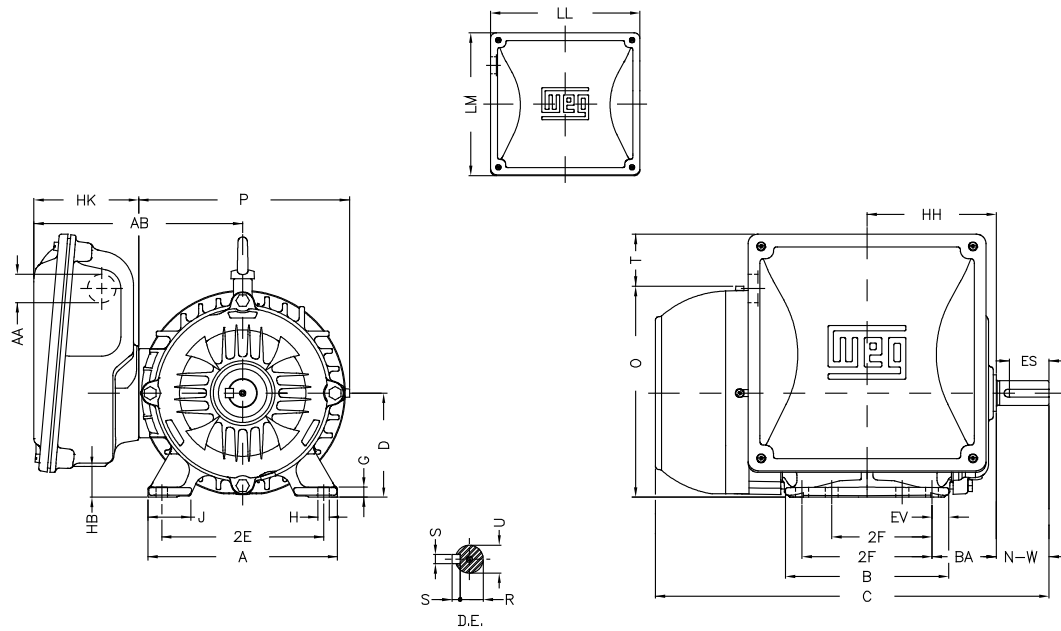
### Frames 143/5



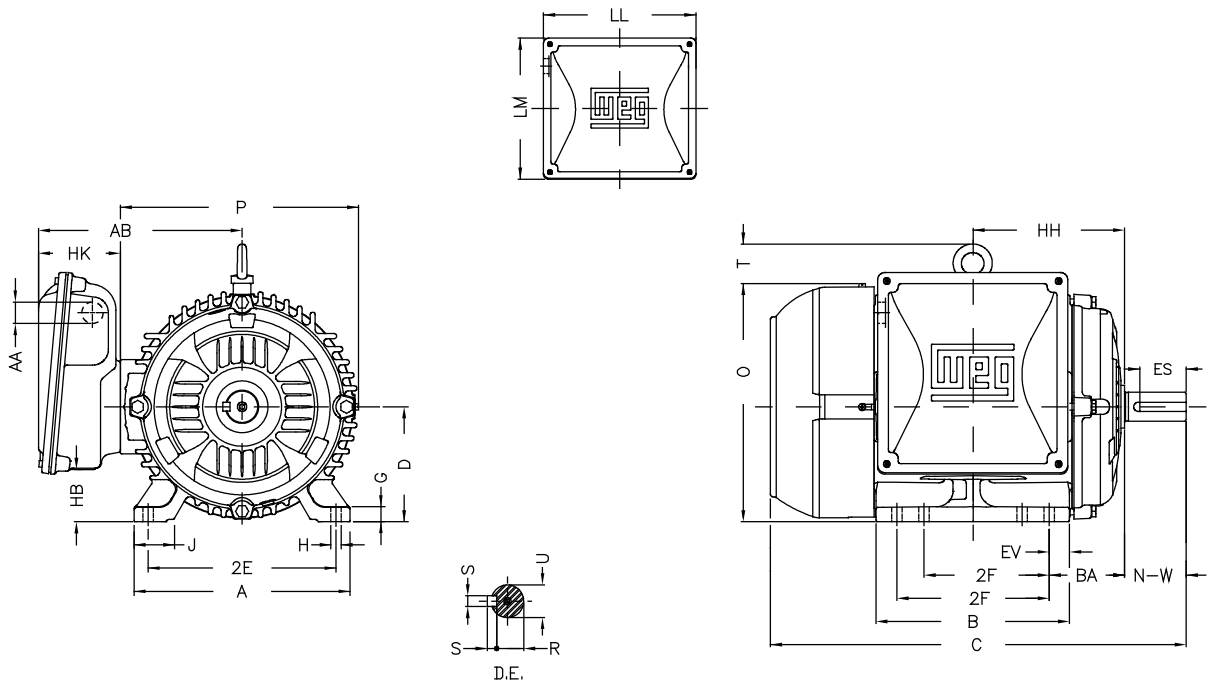


## Single Phase - General Purpose - TEFC - Cast Iron

Frames 182/4



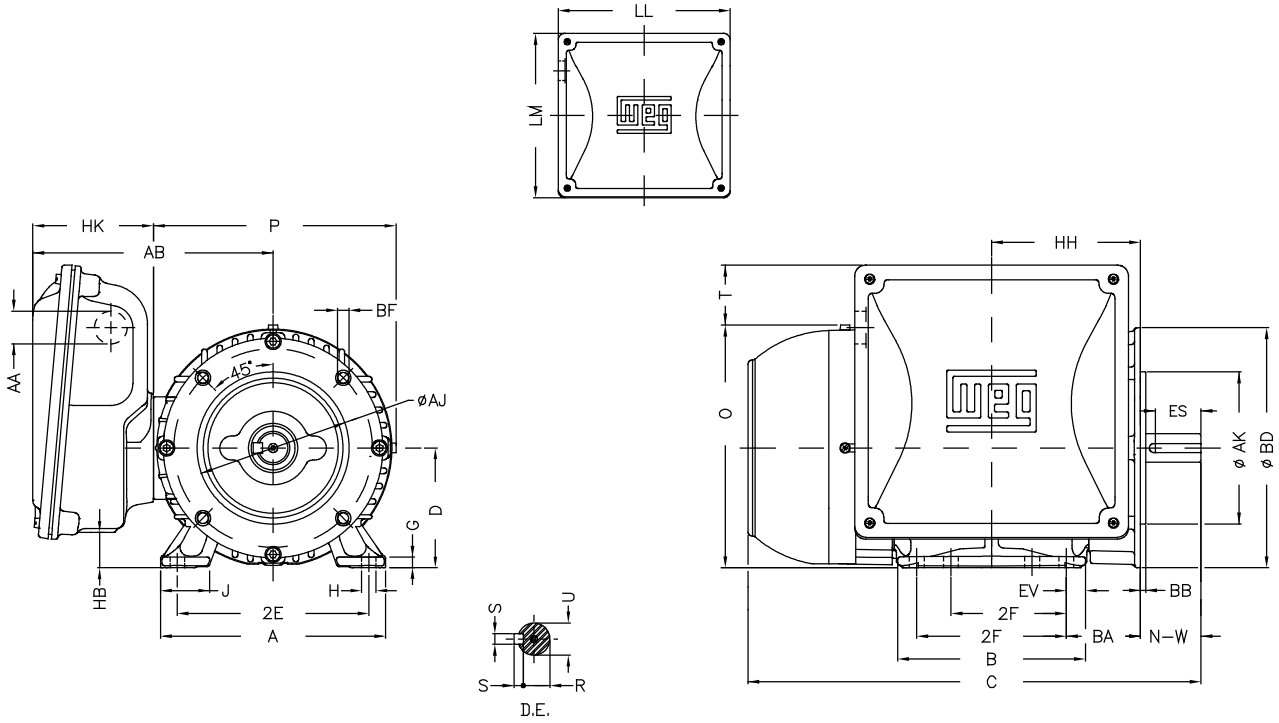
Frame 213/5



## Single Phase - General Purpose - TEFC - Cast Iron - C-Face

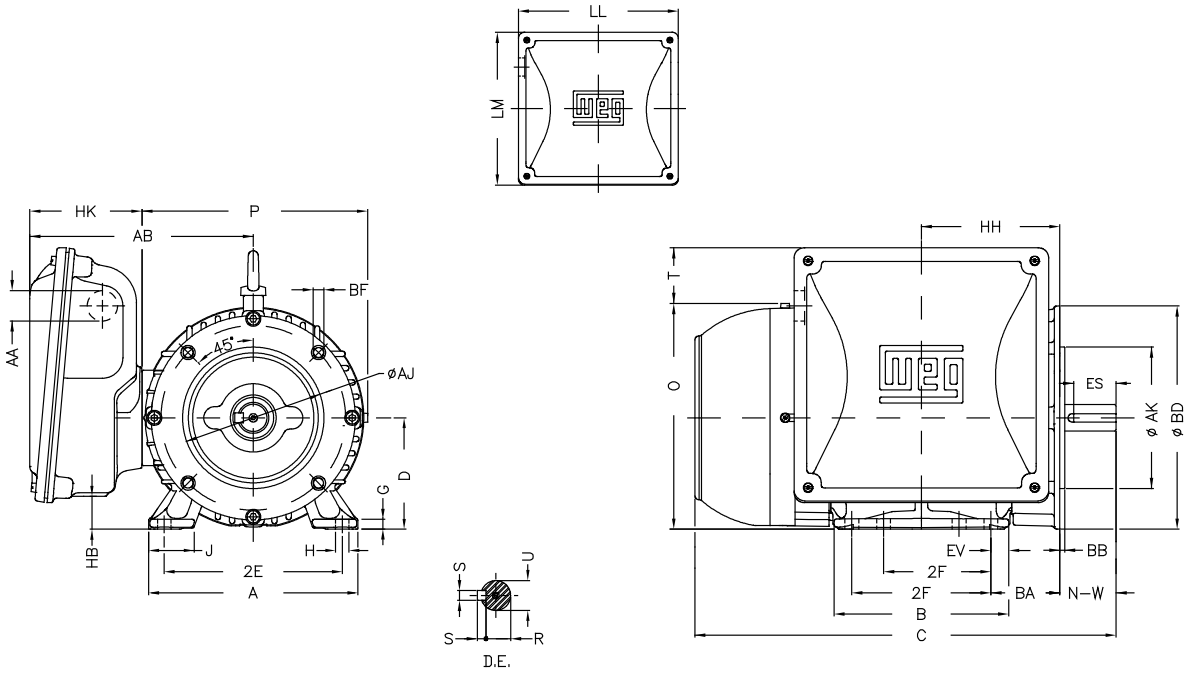
Frame	Type	Flange	Size	BC	AJ	AK	BD	S	T	AH	Angle	BF Number
143/5T	C	C	FC-149	0.125	5.875	4.5	6.5	UNC 3/8"x16	0.157	2.125	45°	4
182/4T	C	C	FC-184	0.125	7.25	8.5	8.875	UNC 1/2"x13	0.25	2.625	45°	4
213/5T	C	C	FC-184	0.25	7.25	8.5	8.875	UNC 1/2"x13	0.25	3.125	45°	4

### Frames 143/5

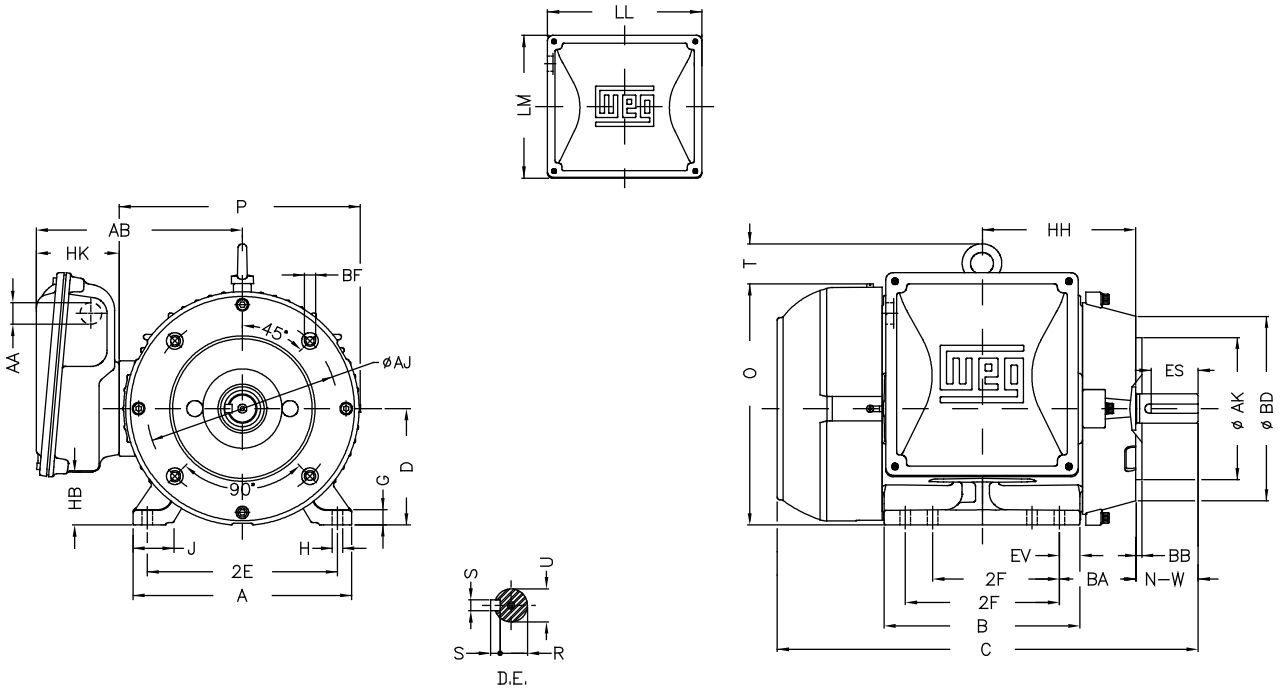


## Single Phase - General Purpose - TEFC - Cast Iron - C-Face

Frames 182/4



Frame 213/5



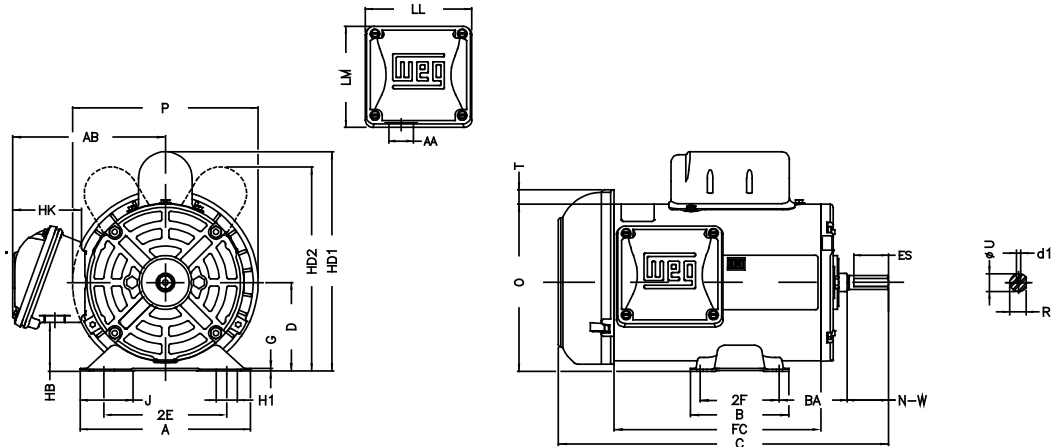
## Single Phase - General Purpose - TEFC - Rolled Steel - Standard Efficiency

Frame	2E	J	A	P	AH	2F	B	BA	CH	U	N-W	Key Length
48	4.236	1.835	6.142	6.693	1.689	2.748	3.543	2.5	1.417	0.5	1.5	1.26
W56	4.874	1.62	6.535	6.693	2.063	3	4.016	2.75	1.417	0.625	1.874	1.417
56	4.874	1.732	6.535	7.638	2.062	3	4.016	2.75	1.377	0.625	1.874	1.417
56H	4.874	1.732	6.535	7.638	2.062	3.000/5.000	6.496	2.75	1.377	0.625	1.874	1.417
143/5T	5.5	1.732	6.535	7.638	2.132	4.000/5.000	6.496	2.25	1.377	0.875	2.25	1.417
182/4T	7.5	1.299	8.661	9.435	2.62	4.500/5.500	6.299	2.75	1.377	1.125	2.75	1.969
213/5T	8.5	1.575	9.449	10.965	3.129	5.500/7.000	7.953	3.5	1.929	1.375	3.38	2.48

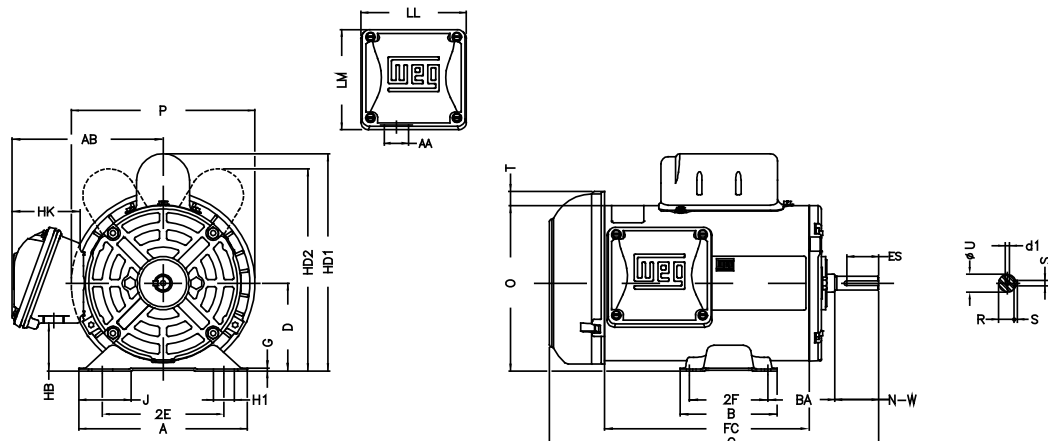
Frame	R	Depth	D	G	O	HD	Hole H	C	AA	T	DE	NDE
48	0.451		3	0.075	5.83	6.354	0.343	*	0.881"	0.524	6203 ZZ	6202 ZZ
W56	0.517	0.187	3.5	0.12	6.33	6.854	0.343	*	0.881"	0.524	6203 ZZ	6202 ZZ
56	0.517	0.187	3.5	0.12	6.724	7.327	0.343	*	0.881"	0.603	6203 ZZ	6202 ZZ
56H	0.517	0.187	3.5	0.12	6.724	7.327	0.343	*	0.881"	0.603	6204 ZZ	6202 ZZ
143/5T	0.771	0.187	3.5	0.12	6.724	7.327	0.343	*	1.118"	0.603	6205 ZZ	6203 ZZ
182/4T	0.984	0.25	4.5	0.167	8.557	9.218	0.406	*	1.118"	0.661	6206 ZZ	6205 ZZ
213/5T	1.203	0.313	5.25	0.167	10.144	10.905	0.406	*	1.377"	0.761	6208 ZZ	6206 ZZ

\* Dimension changes with output speed

### Frame 48

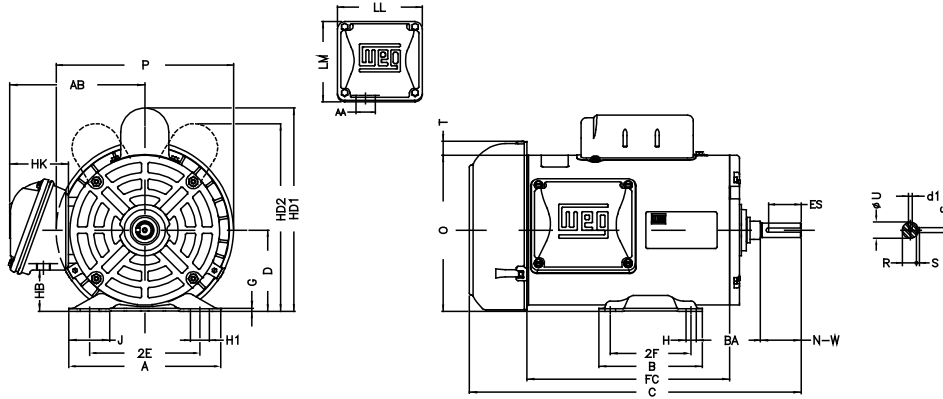


### Frame W56

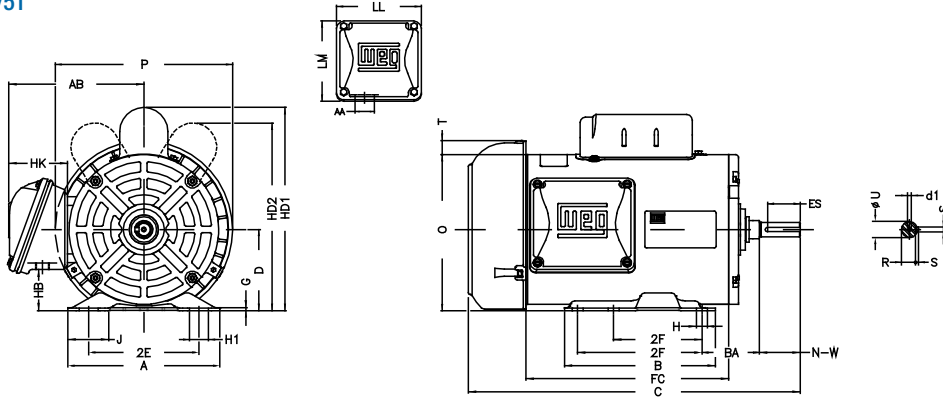


## Single Phase - General Purpose - TEFC - Rolled Steel - Standard Efficiency

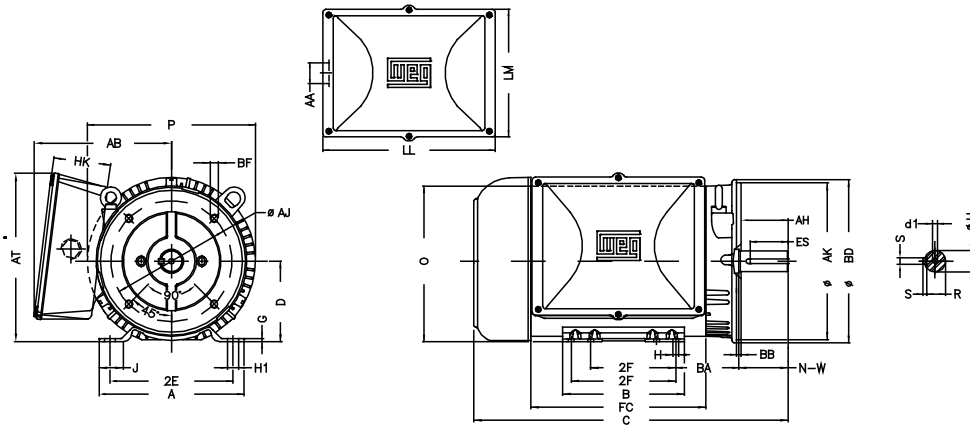
Frame 56



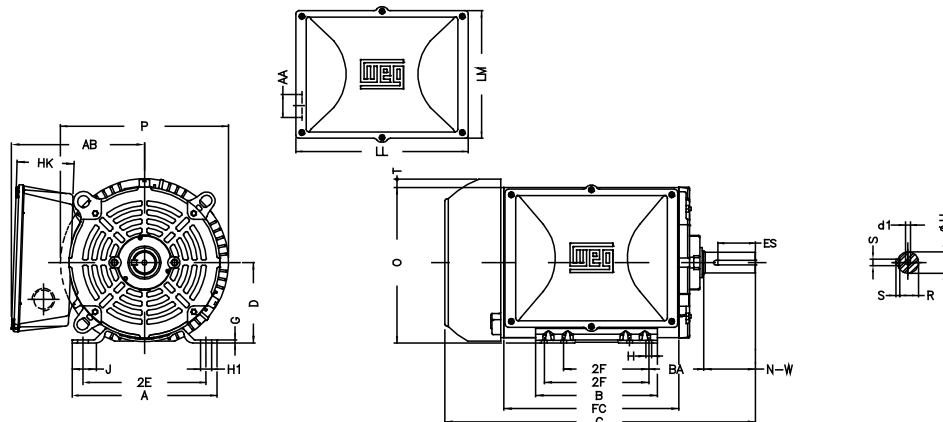
Frames 56H - 143T/5T



Frame 182/4T



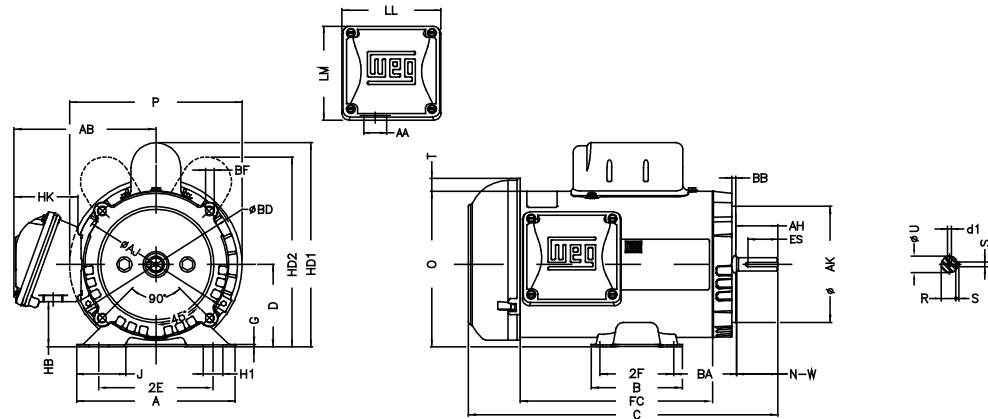
Frame 213/5T



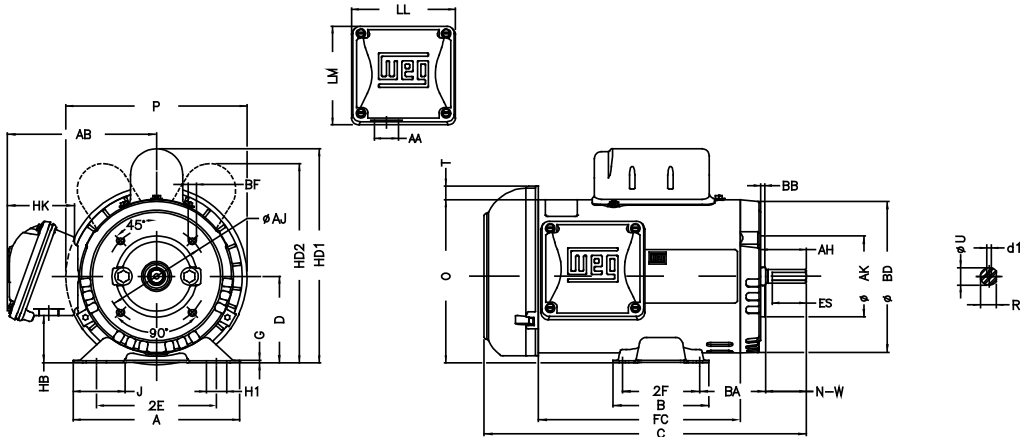
## Single Phase - General Purpose - TEFC - Rolled Steel - Standard Efficiency - C-Face

Frame	Type	Flange	Size	AJ	AK	BD	S	T	AH	Angle	BB	BF Number
W56	C	C	FC-149	5.874	4.5	6.47	UNC 3/8"x16-2B	0.157	2.063	45°	0.157	4
48	C	C	FC-95	3.748	3	4.74	UNC 1/4"x20-2B	0.157	1.689	45°	0.157	4
56	C	C	FC-149	5.874	4.5	6.45	UNC 3/8"x16-2B	0.157	2.062	45°	0.157	4
143/5T	C	C	FC-149	5.874	4.5	6.45	UNC 3/8"x16	0.157	2.132	45°	0.157	4
56H	C	C	FC-149	5.874	4.5	6.45	UNC 3/8"x16-2B	0.157	2.062	45°	0.157	4
182/4T	C	C	FC-184	7.25	8.5	8.846	UNC 1/2"x13	0.25	2.62	45°	0.25	4
213/5T	C	C	FC-184	7.25	8.5	9.401	UNC 1/2"x13	0.25	3.129	45°	0.25	4

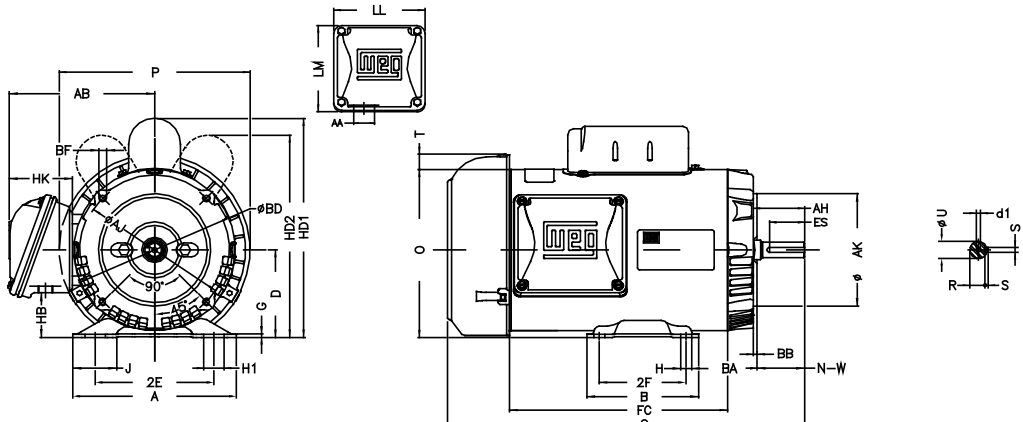
### Frame W56



### Frame 48

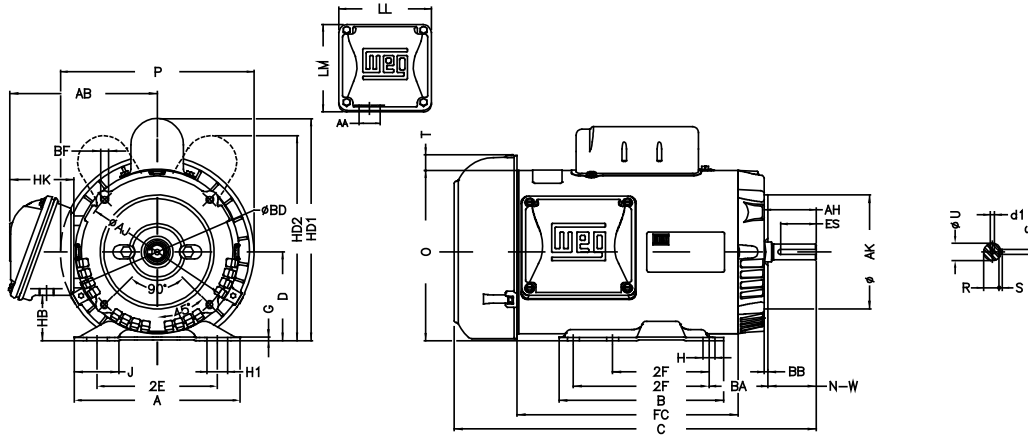


### Frame 56

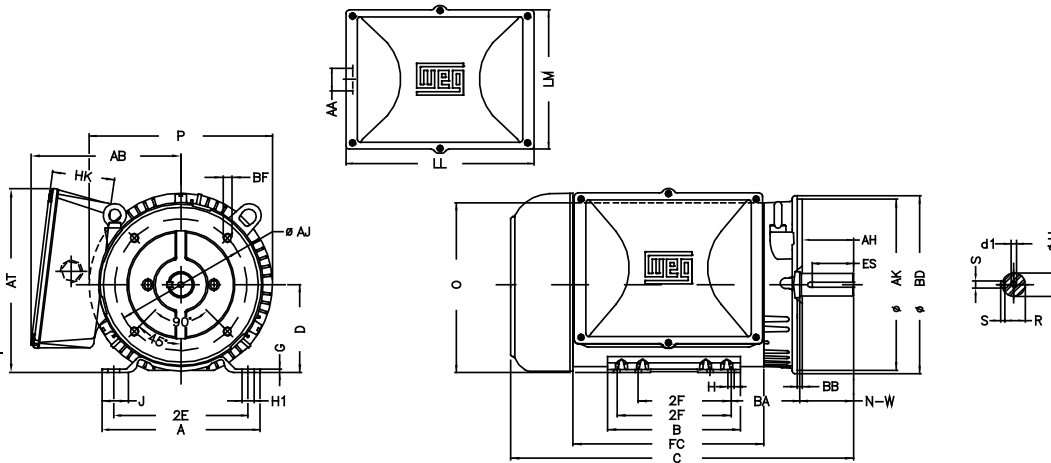


## Single Phase - General Purpose - TEFC - Rolled Steel - Standard Efficiency - C-Face

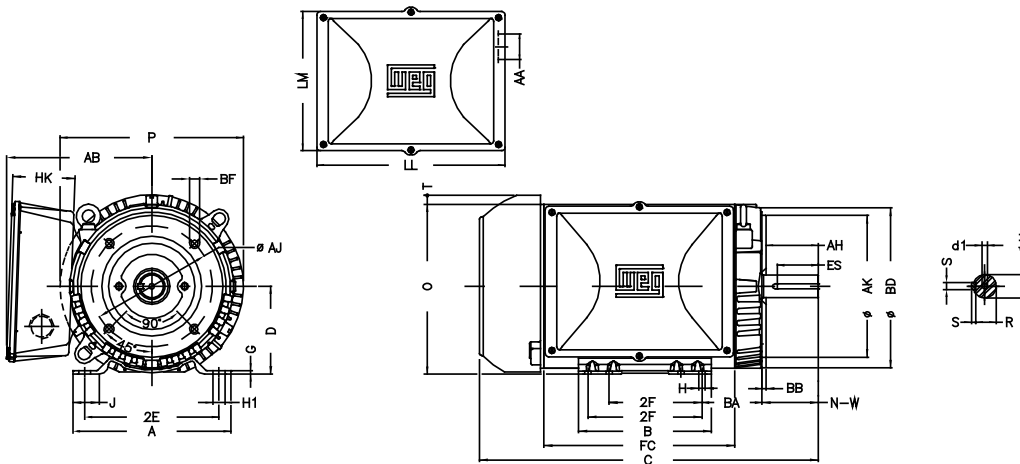
Frames 56H - 143/5T



Frame 182/4T



Frame 213/5T



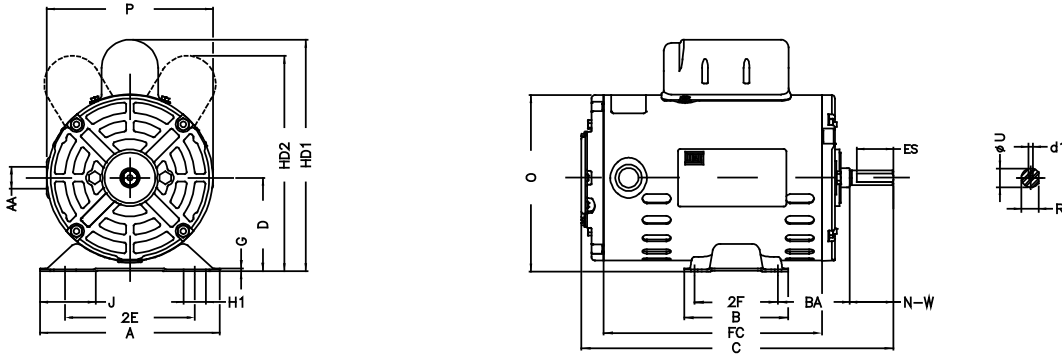
## Single Phase - General Purpose - ODP - Rolled Steel - Standard Efficiency

Frame	2E	J	A	P	AB	AH	2F	B	BA	CH	U	N-W	Key Length	R
48	4.236	1.835	6.142	5.709	5.52	1.689	2.748	3.543	2.5	1.22	0.5	1.5	1.26	0.451
W56	4.874	1.62	6.535	5.709	5.52	2.063	3	4.016	2.75	1.22	0.625	1.874	1.417	0.517
56	4.874	1.732	6.535	6.456	3.323	2.062	3	4.016	2.75	1.377	0.625	1.874	1.417	0.517
56H	4.874	1.732	6.535	6.456	5.882	2.062	3.000/5.000	6.496	2.75	1.377	0.625	1.874	1.417	0.517
143/5T	5.5	1.732	6.535	6.467	5.882	2.132	4.000/5.000	6.496	2.25	1.377	0.875	2.25	1.417	0.771
182/4T	7.5	1.299	8.661	8.114	6.696	2.62	4.500/5.500	6.299	2.75	1.377	1.125	2.75	1.969	0.984
213/5T	8.5	1.575	9.449	9.846	7.973	3.129	5.500/7.000	7.953	3.5	1.929	1.375	3.38	2.48	1.203

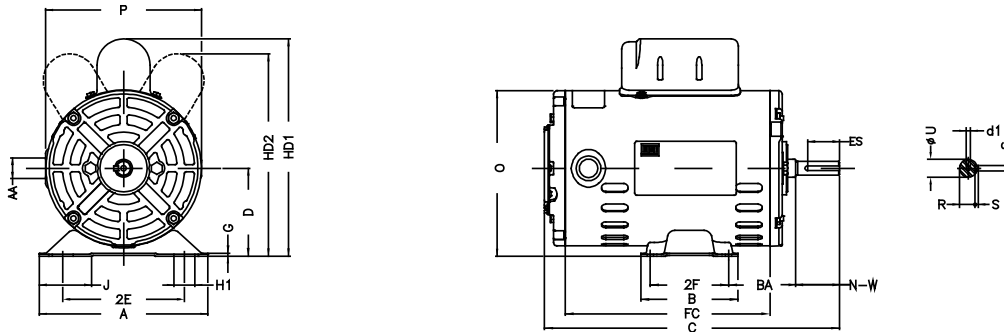
Frame	D	G	HB	O	HD	HK	Hole H	C	LL	LM	S	AA	T	DE	NDE
48	3	0.075	1.559	5.83	6.354	2.65	0.343	*	3.835	3.697		NPT 1/2"	0.524	6203 ZZ	6202 ZZ
W56	3.5	0.12	2.055	6.33	6.854	2.65	0.343	*	3.835	3.697	0.187	NPT 1/2"	0.524	6203 ZZ	6202 ZZ
56	3.5	0.12	1.784	6.724	6.728	2.629	0.343	*	4.563	4.09	0.187	NPT 1/2"	0.004	6203 ZZ	6202 ZZ
56H	3.5	0.12	1.783	6.724	6.728	2.638	0.343	*	4.543	4.106	0.187	NPT 1/2"	0.004	6204 ZZ	6202 ZZ
143/5T	3.5	0.12	1.783	6.724	6.728	2.638	0.343	*	4.543	4.106	0.187	1.118"	0.004	6205 ZZ	6202 ZZ
182/4T	4.5	0.167	2.784	8.557	8.557	2.629	0.406	*	4.563	4.09	0.25	1.118"	0	6206 ZZ	6205 ZZ
213/5T	5.25	0.167	2.982	10.144	10.173	3.022	0.406	*	5.551	5.25	0.313	1.377"	0.029	6208 ZZ	6206 ZZ

Dimensions change with output speed

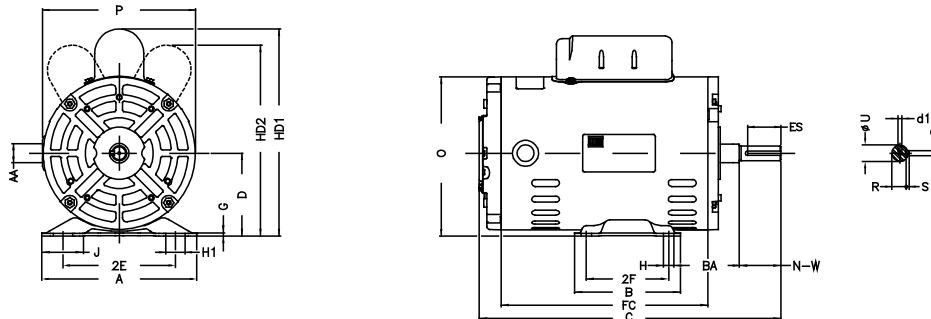
Frame 48



Frame W56



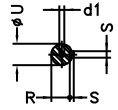
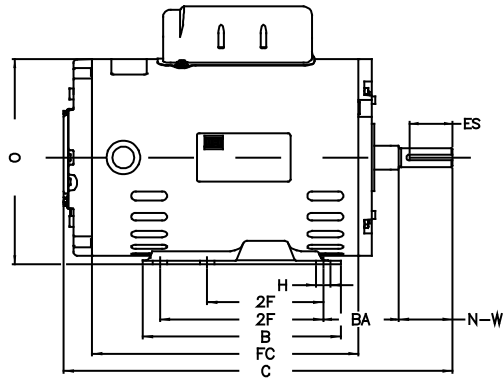
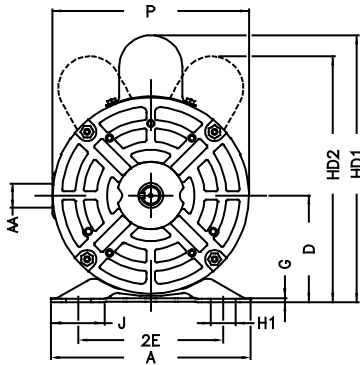
Frame 56



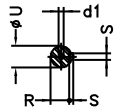
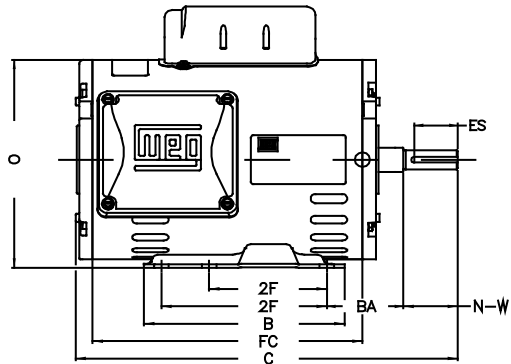
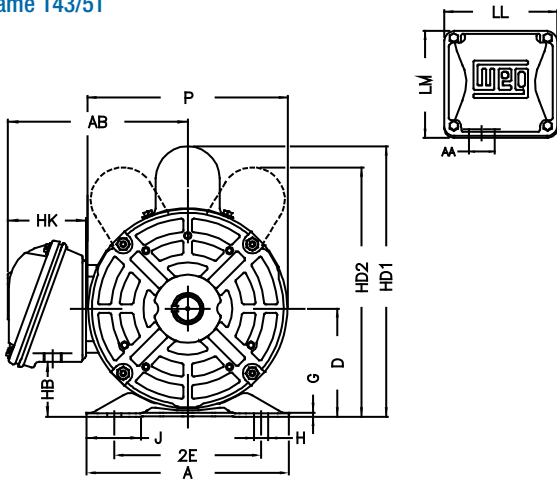


## Single Phase - General Purpose - ODP - Rolled Steel - Standard Efficiency

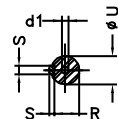
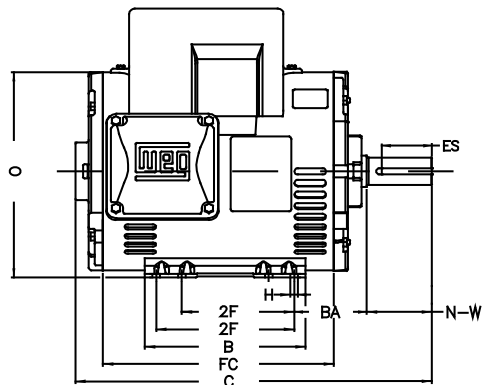
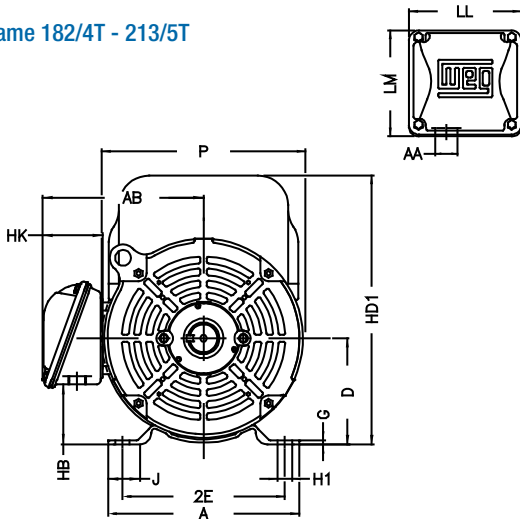
Frame 56H



Frame 143/5T



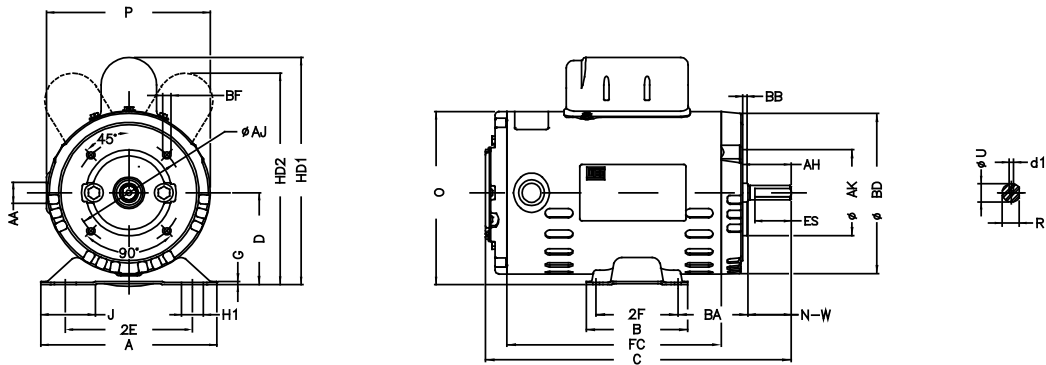
Frame 182/4T - 213/5T



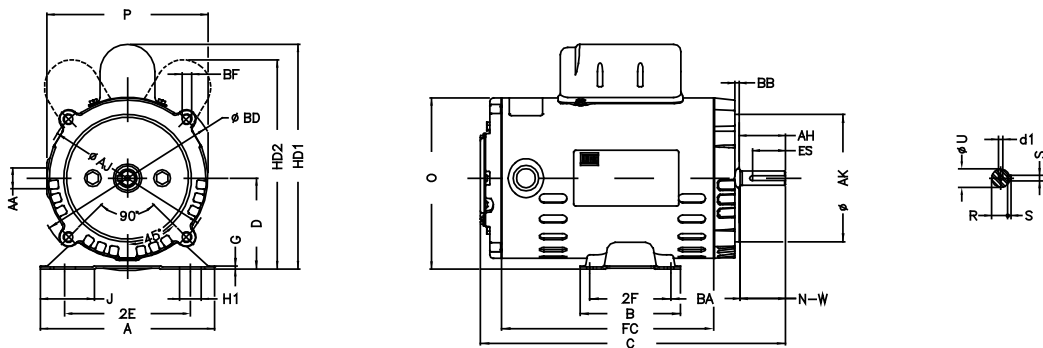
## Single Phase - General Purpose - ODP - Rolled Steel - Standard Efficiency - C-Face

Frame	Type	Flange	Size	AJ	AK	BD	S	T	AH	Angle	BF Number
W56	C	C	FC-149	5.874	4.5	6.47	UNC 3/8"x16-2B	0.157	2.063	45°	4
48	C	C	FC-95	3.748	3	4.74	UNC 1/4"x20-2B	0.157	1.689	45°	4
56	C	C	FC-149	5.874	4.5	6.45	UNC 3/8"x16-2B	0.157	2.062	45°	4
143/5T	C	C	FC-149	5.874	4.5	6.45	UNC 3/8"x16	0.157	2.132	45°	4
56H	C	C	FC-149	5.874	4.5	6.45	UNC 3/8"x16-2B	0.157	2.062	45°	4
182/4T	C	C	FC-184	7.25	8.5	8.846	UNC 1/2"x13	0.25	2.62	45°	4
213/5T	C	C	FC-184	7.25	8.5	9.401	UNC 1/2"x13	0.25	3.129	45°	4

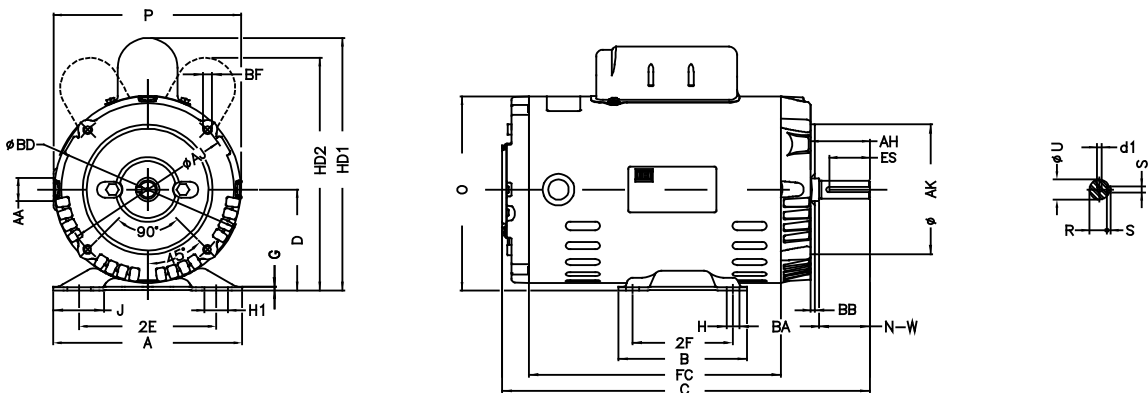
Frame 48



Frame W56

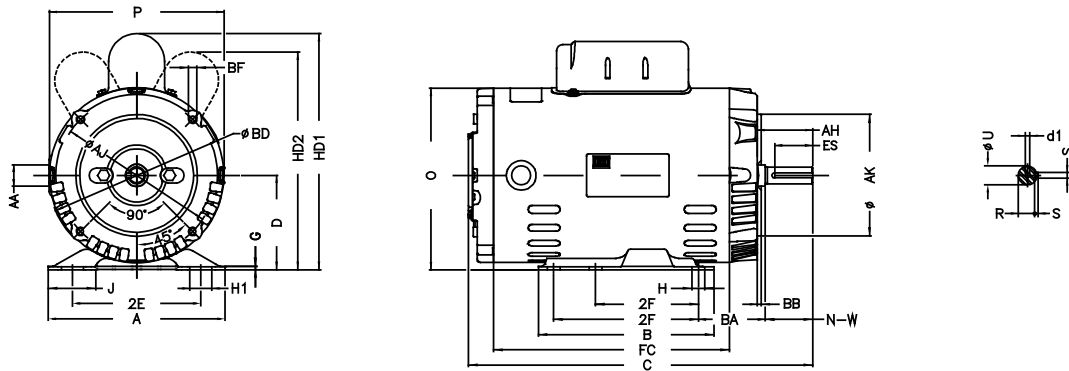


Frame 56

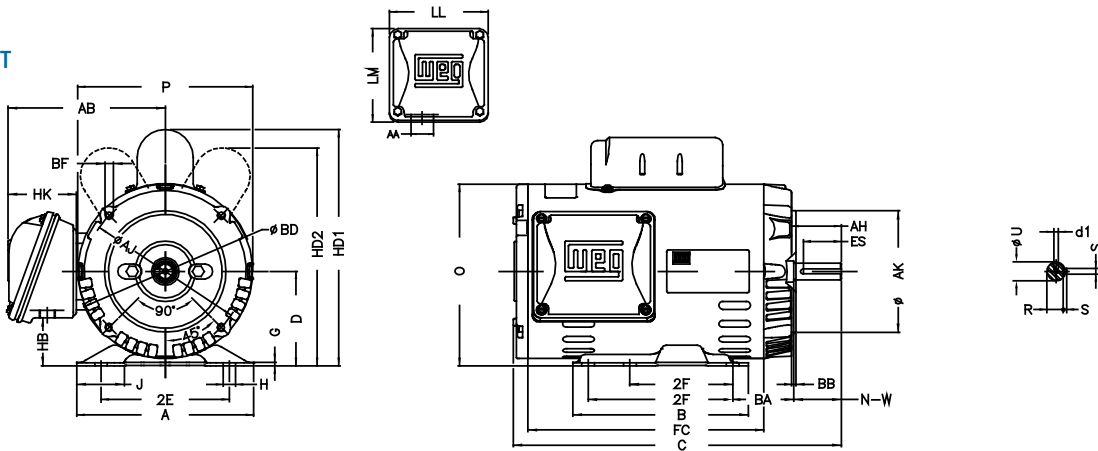


## Single Phase - General Purpose - ODP - Rolled Steel - Standard Efficiency - C-Face

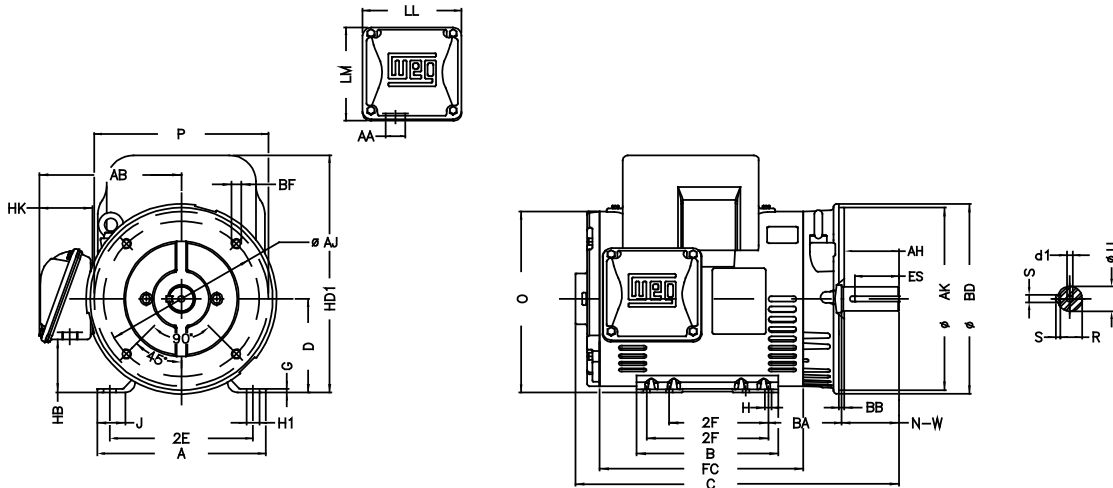
Frame 56H



Frame 143/5T



Frame 182/4T - 213/5T



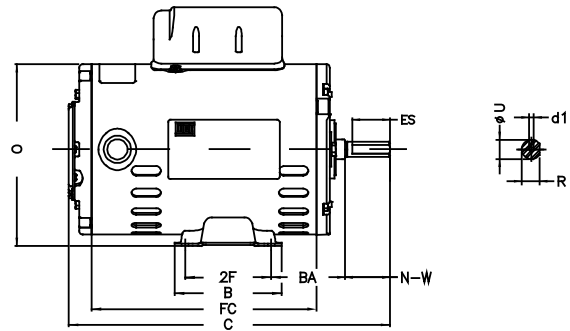
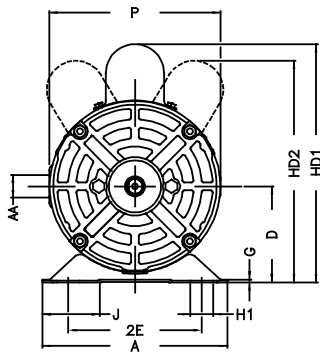
## Single Phase - General Purpose - ODP - Rolled Steel - Premium Efficiency

Frame	2E	J	A	P	AB	AH	2F	B	BA	CH	U	N-W	Key Length	R	Depth
48	4.236	1.835	6.142	5.709	5.52	1.689	2.748	3.543	2.5	1.22	0.5	1.5	1.26	0.451	
W56	4.874	1.62	6.535	5.709	5.52	2.063	3	4.016	2.75	1.22	0.625	1.874	1.417	0.517	0.187
56	4.874	1.732	6.535	6.456	3.323	2.062	3	4.016	2.75	1.377	0.625	1.874	1.417	0.517	0.187
56H	4.874	1.732	6.535	6.456	5.882	2.062	3.000/5.000	6.496	2.75	1.377	0.625	1.874	1.417	0.517	0.187
143/5T	5.5	1.732	6.535	6.467	5.882	2.132	4.000/5.000	6.496	2.25	1.377	0.875	2.25	1.417	0.771	0.187

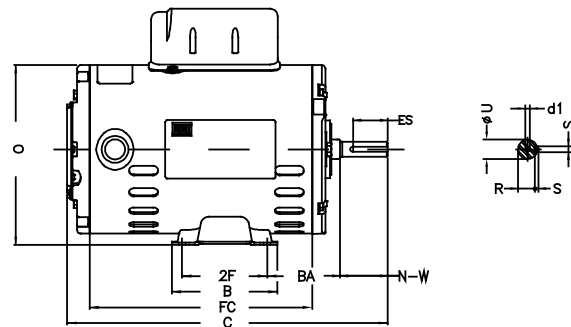
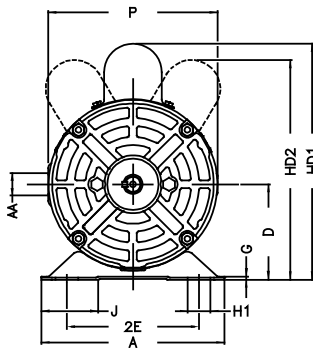
Frame	D	G	HB	O	HD	HK	Hole H	C	LL	LM	S	T	DE	NDE
48	3	0.075	1.559	5.83	6.354	2.65	0.343	*	3.835	3.697		0.524	6203 ZZ	6202 ZZ
W56	3.5	0.12	2.055	6.33	6.854	2.65	0.343	*	3.835	3.697	0.187	0.524	6203 ZZ	6202 ZZ
56	3.5	0.12	1.784	6.724	6.728	2.629	0.343	*	4.563	4.09	0.187	0.004	6203 ZZ	6202 ZZ
56H	3.5	0.12	1.783	6.724	6.728	2.638	0.343	*	4.543	4.106	0.187	0.004	6204 ZZ	6202 ZZ
143/5T	3.5	0.12	1.783	6.724	6.728	2.638	0.343	*	4.543	4.106	0.187	0.004	6205 ZZ	6202 ZZ

Dimensions change with output speed

### Frame 48

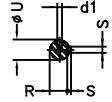
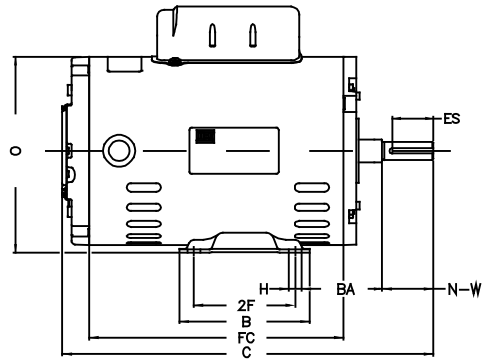
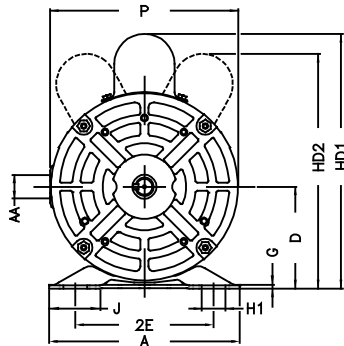


### Frame W56

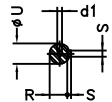
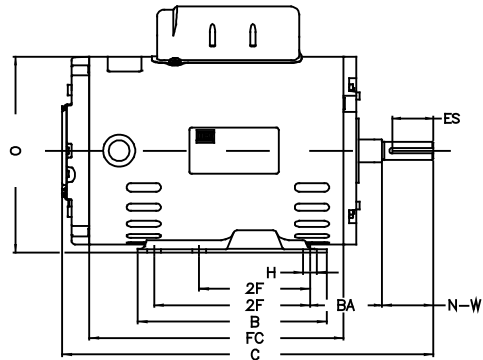
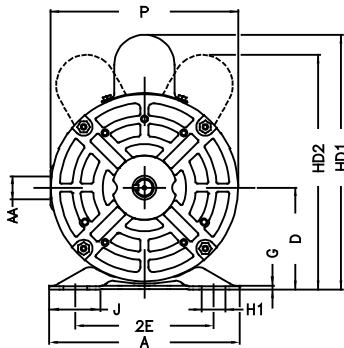


## Single Phase - General Purpose - ODP - Rolled Steel - Premium Efficiency

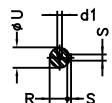
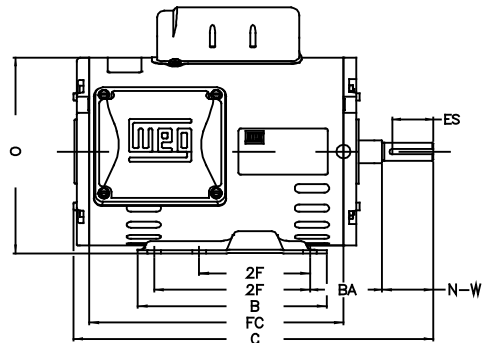
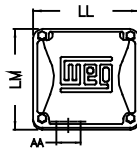
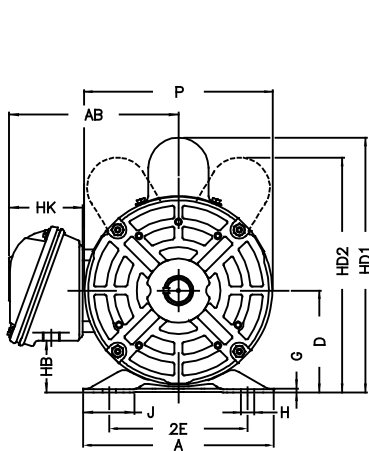
Frame 56



Frame 56H



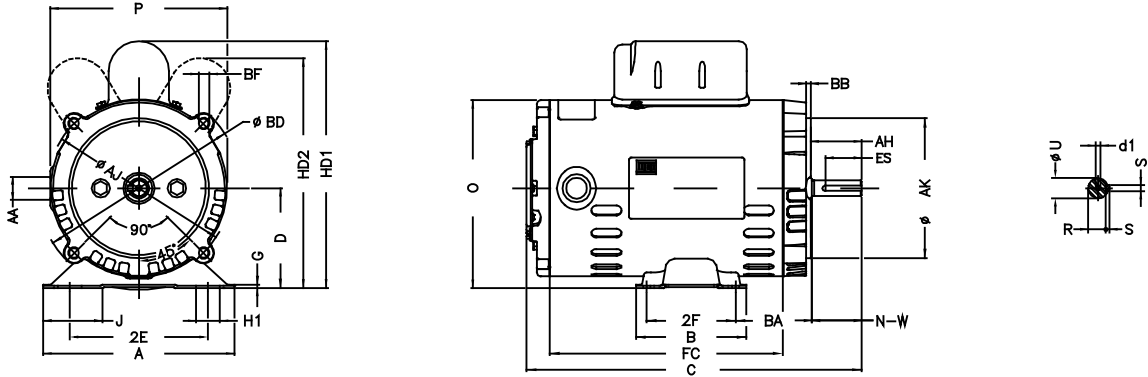
Frame 143/5T



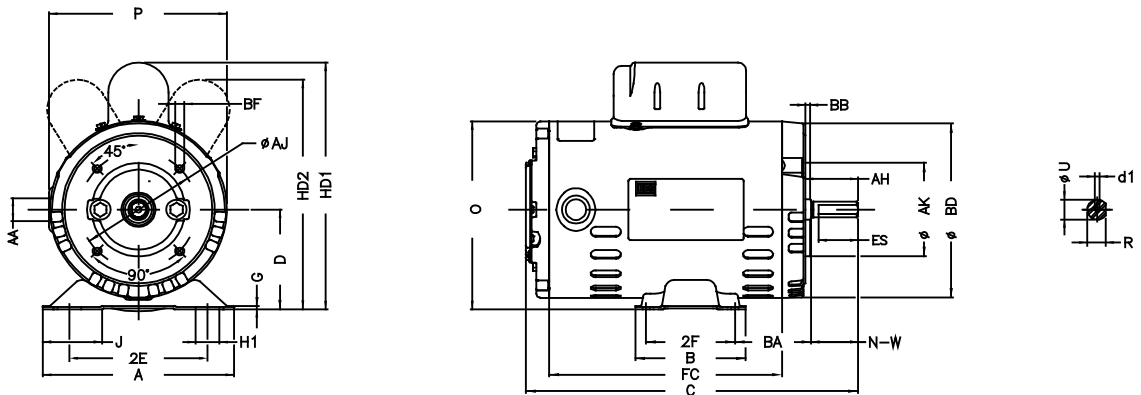
## Single Phase - General Purpose - ODP - Rolled Steel - Premium Efficiency - C-Face

Frame	Type	Flange	Size	BB	AJ	AK	BD	S	T	AH	Angle	BF Number
W56	C	C	FC-149	0.157	5.874	4.5	6.47	UNC 3/8"x16-2B	0.157	2.063	45°	4
48	C	C	FC-95	0.157	3.748	3	4.74	UNC 1/4"x20-2B	0.157	1.689	45°	4
56	C	C	FC-149	0.157	5.874	4.5	6.45	UNC 3/8"x16-2B	0.157	2.062	45°	4
143/5T	C	C	FC-149	0.157	5.874	4.5	6.45	UNC 3/8"x16	0.157	2.132	45°	4
56H	C	C	FC-149	0.157	5.874	4.5	6.45	UNC 3/8"x16-2B	0.157	2.062	45°	4

### Frame W56

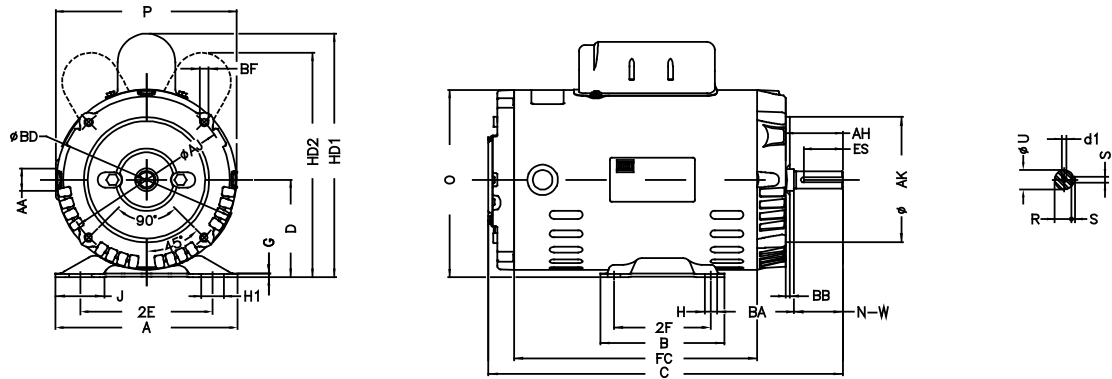


### Frame 48

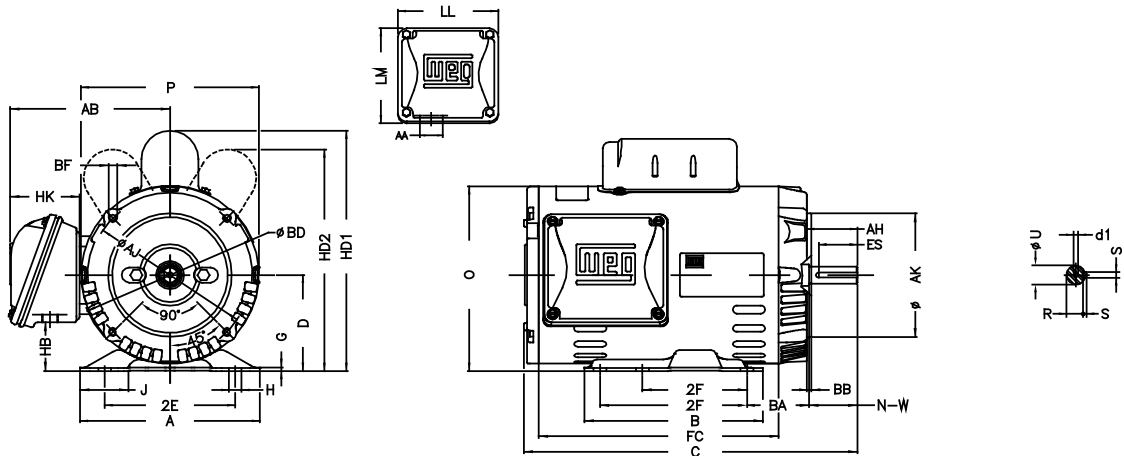


## Single Phase - General Purpose - ODP - Rolled Steel - Premium Efficiency - C-Face

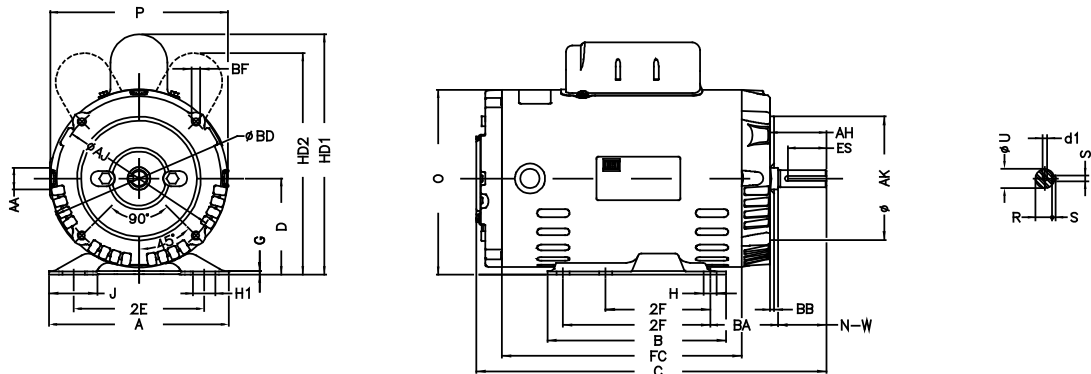
Frame 56



Frame 143/5T



Frame 56H





TEFC – W22 NEMA Premium® Efficiency

Table with columns: Frame, Mounting (2E, 2F, H, BA), A, B, C, D, G, J, O, K, P, T, Keyway (S, R, ES), Shaft Extension (N-W, U). Rows include motor models like 143T, 182T, 254T, 324T, 444/5TS, 586/7TS, 588/9TS.

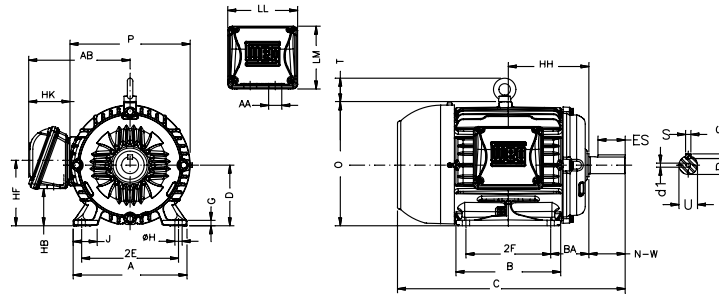
Table with columns: Frame, Terminal Box (AB, HB, HD, HF, HG, HH, HK, LL, LM, AA), d1, Bearings (D.E., N.D.E.). Rows include motor models like 143T, 182T, 254T, 324T, 444/5TS, 586/7TS, 588/9TS.

Note: 182T and 184T motors are not available in F-3 mounting.

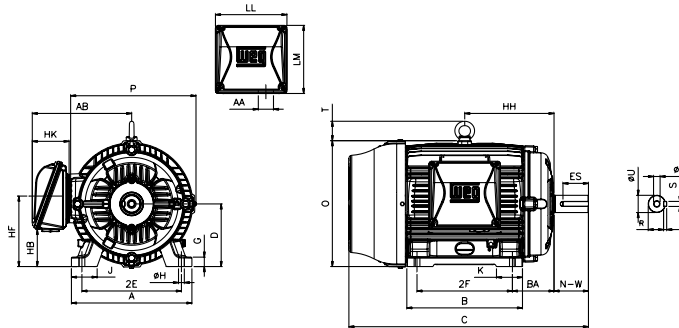


## TEFC – W22 NEMA Premium® Efficiency *continued*

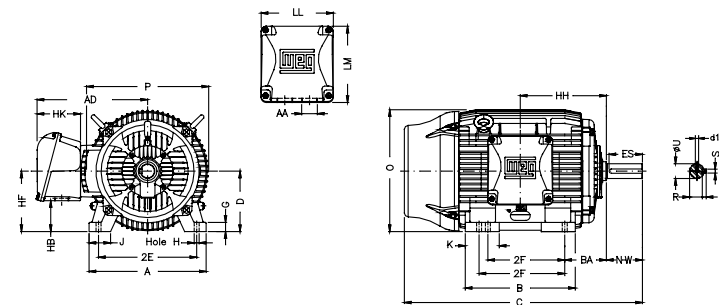
### Frames 143T to 215T



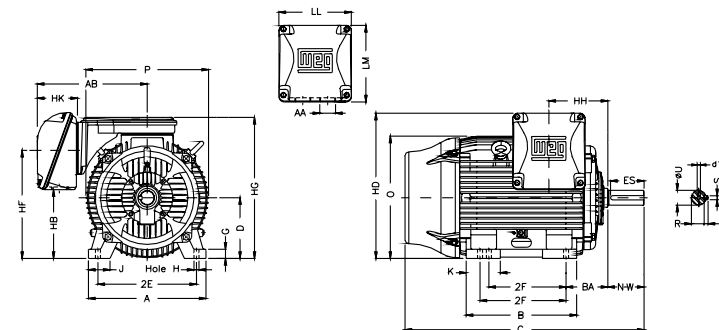
### Frames 254T to 326T



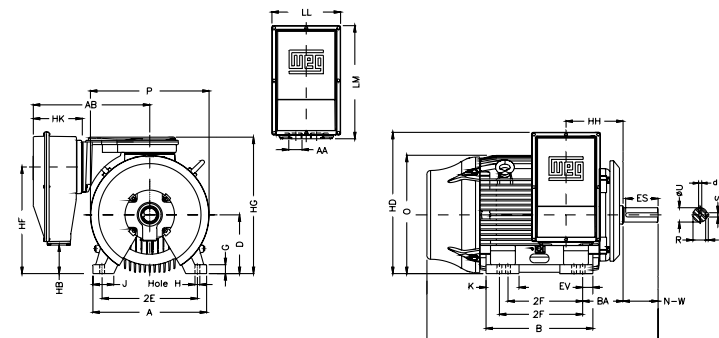
### Frames 364 to 444/5T



### Frames 445/7T to 586/7T

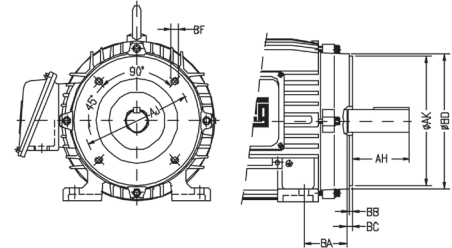


### Frame 588/9T



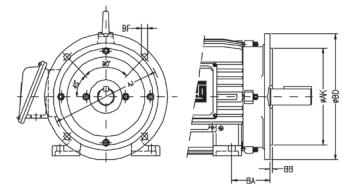
## C & D Flanges Dimensions – Valid for Cast Iron TEFC and ODP - C-Flange additional detail

Frame	Type	Size	AJ	AK	AH	BA	BB	BC	BD	BF (holes)	
										Quantity	Thread
143/5	C	FC-140	5.875	4.500	2.125	2.250	0.157	0.125	6.500	4	UNC 3/8"x16
182/4	C	FC-184	7.250	8.500	2.625	2.750	11.030				
213/5	C				3.125	3.500					
254/6	C				3.750	4.250					
284/6T	C	FC-228	9.000	10.500	4.375	4.750	13.580				
284/6TS	C				3.000						
324/6T	C	FC-279	11.000	12.500	5.000	5.875	15.550				
324/6TS	C				3.500						
364/5T	C				5.625						
364/5TS	C				3.500						
404/5T	C				7.000						
404/5TS	C				4.000						
444/5T	C	FC-355	14.000	16.000	8.250	7.500	17.910				
444/5TS	C				4.500						
445/7T	C				8.250						
445/7TS	C				4.500						
447/9T	C				8.250						
447/9TS	C				4.500						
504/5T	C	FC-368	14.500	16.500	10.375	8.500	0.250				
504/5TS	C				4.500						
586/7T	C				11.375						
586/7TS	C				4.500						
588/9T	C				11.375						
588/9TS	C				4.500						



## D-Flange additional detail

Frame	Type	Size	AJ	AK	BA	BB	BD	BF (holes)		
								Quantity	Thread	
143/5	D	FD-254	10.000	9.000	2.250	0.197	11.000	4	0.562	
182/4	D				2.750					
213/5	D				3.500					
254/6	D	FD-317	12.500	11.000	4.250	0.203	14.000	4	0.828	
284/6T	D				4.750					
284/6TS	D	FD-406	16.000	14.000	5.250	0.197	17.710	8	0.250	
324/6T	D				7.500					22.000
324/6TS	D									
364/5T	D				8.500					24.800
364/5TS	D									
404/5T	D				FD-508					20.000
404/5TS	D	24.800								
444/5T	D		32.000							
444/5TS	D	32.000								
445/7T	D		32.000							
445/7TS	D	32.000								
447/9T	D		FD-558	22.000	30.000	10.000	0.250	32.000	8	0.250
447/9TS	D	32.000								
504/5T	D									
504/5TS	D	32.000								
586/7T	D									
586/7TS	D	32.000								
588/9T	D		32.000							
588/9TS	D	32.000								

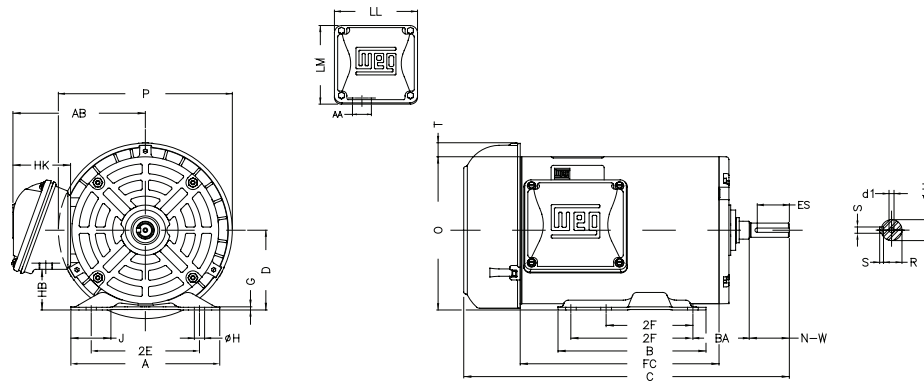


## Rolled Steel - General Purpose - Three Phase - TEFC

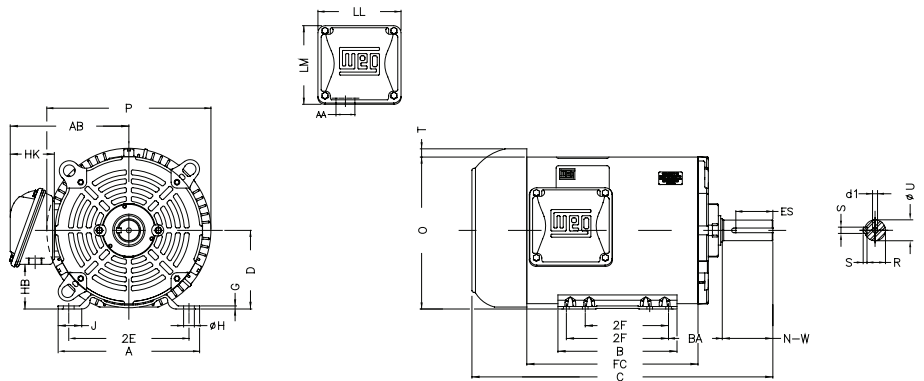
Frame	P	AB	HK	HB	J	2E	A	H1	D	G	LL	LM
143/5T	7.638	5.882	2.638	1.783	1.732	5.500	6.535	-	3.500	0.120	4.543	4.106
182/4T	9.435	6.696	2.629	2.784	1.299	7.500	8.661	-	4.500	0.167	4.563	4.090
213/5T	10.965	7.973	3.022	2.982	1.575	8.500	9.449	-	5.250	0.167	5.551	5.250
254/6T	13.180	9.448	3.645	3.631	1.693	10.000	11.417	-	6.250	0.187	6.299	6.017

Frame	AA	O	T	Hole H	2F	B	BA	N-W	ES	U	d1	S	R
143/5T	1.118"	6.724	0.603	0.343	4.000/5.000	6.496	2.250	2.250	1.417	0.875	A 3.15	0.187	0.771
182/4T	1.118"	8.557	0.661	0.406	4.500/5.500	6.299	2.750	2.750	1.969	1.125	A 3.15	0.250	0.984
213/5T	1.377"	10.144	0.761	0.406	5.500/7.000	7.953	3.500	3.380	2.480	1.375	A 4	0.313	1.203
254/6T	1.732"	12.010	0.83	0.530	8.252/10.000	11.417	4.250	4.000	2.756	1.625	A 4	0.375	1.416

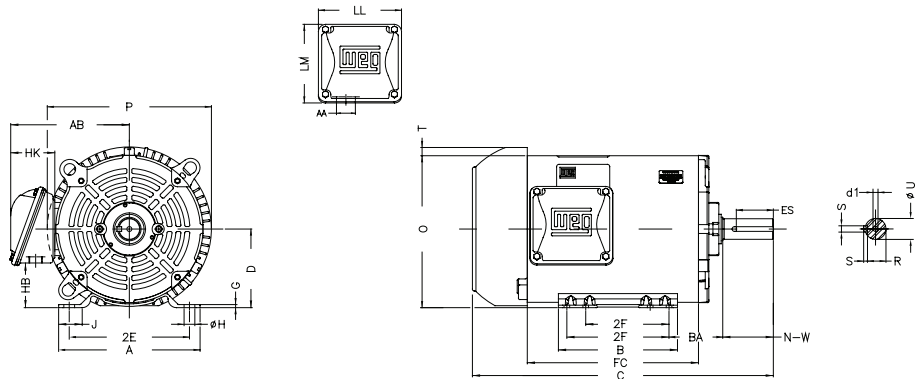
### Frames 143



### Frames 182



### Frame 213 to 256

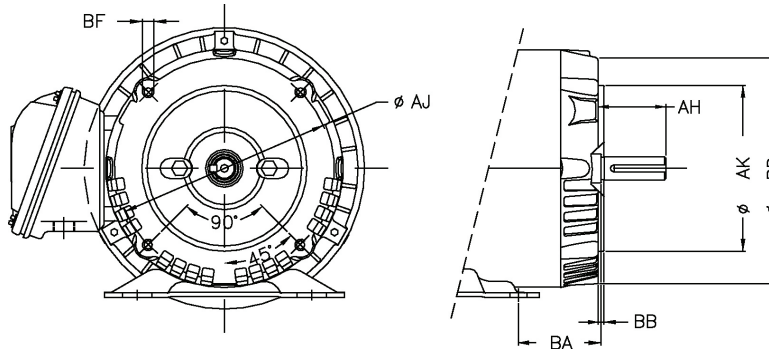


## Rolled Steel - General Purpose - Three Phase - TEFC - *continued*

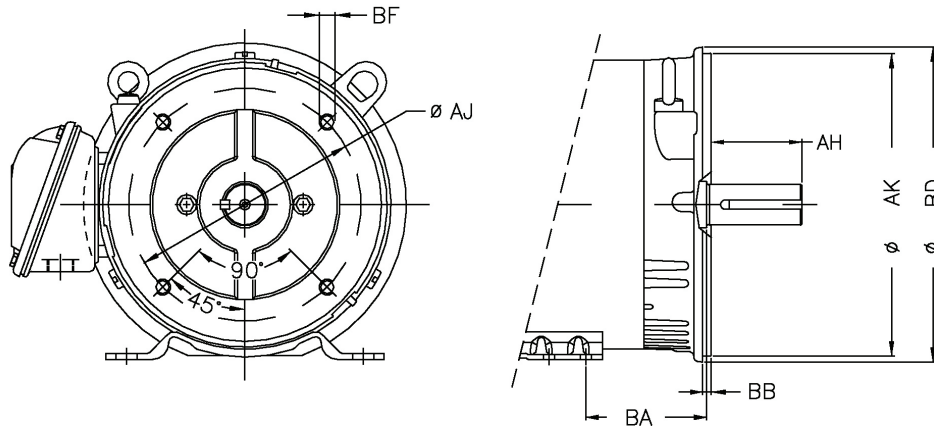
Dimensions for C-Face motors

Frame	Size	AJ	AK	BD	BF	BB	AH	Angle	BF Number
143/5T	FC-149	5.874	4.500	6.449	UNC 3/8"x16	0.157	2.132	45°	4
182/4T	FC-184	7.250	8.500	8.846	UNC 1/2"x13	0.250	2.620	45°	4
213/5T	FC-184	7.250	8.500	9.401	UNC 1/2"x13	0.250	3.129	45°	4
254/6T	FC-184	7.250	8.500	11.084	UNC 1/2"x13	0.250	3.750	45°	4

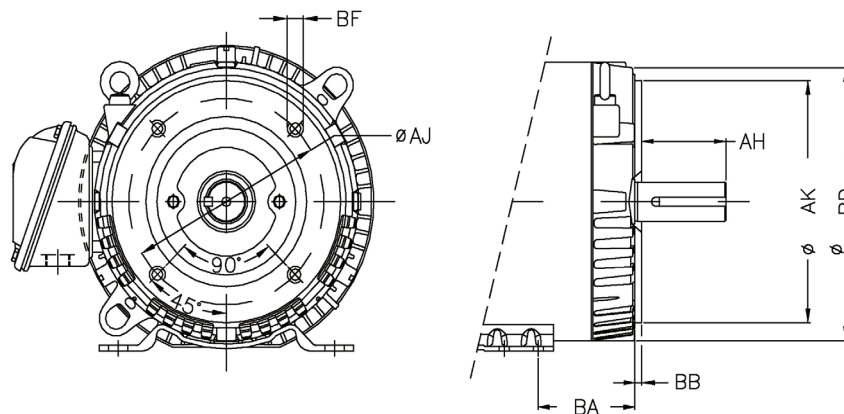
### Frames 143



### Frames 182



### Frame 213 to 254

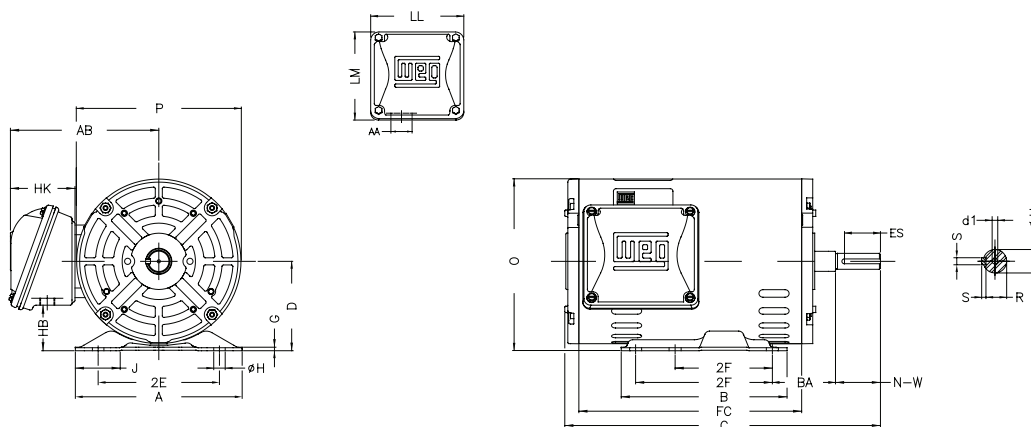


## Rolled Steel - General Purpose - Three Phase - ODP

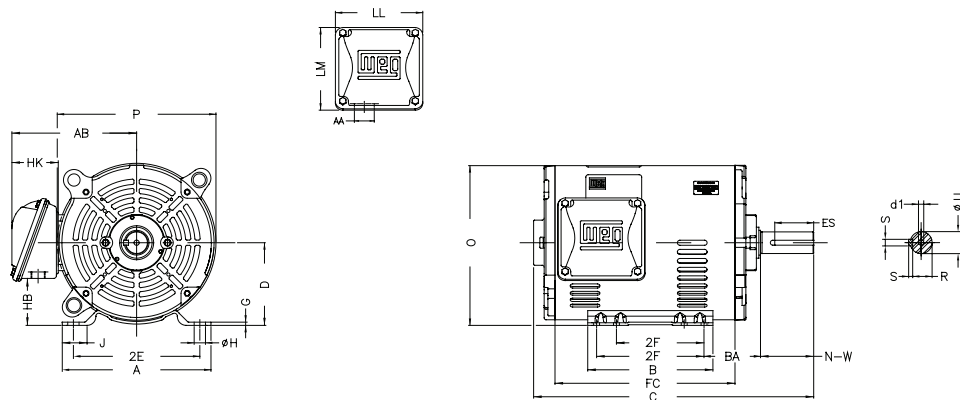
Frame	A	AA	AB	P	2E	J	HB	HK	H1	G	D	HD1
143/5T	6.535	1.118"	5.882	6.467	5.500	1.732	1.783	2.638	-	0.120	3.500	8.622
182/4T	8.661	1.118"	6.696	8.114	7.500	1.299	2.784	2.629	-	0.167	4.500	11.441
213/5T	9.449	1.377"	7.973	9.846	8.500	1.575	2.982	3.022	-	0.167	5.250	13.764

Frame	HD2	LL	LM	O	2F	H	B	BA	N-W	ES	U	d1	R	S
143/5T	8.150	4.543	4.106	6.724	4.000/5.000	0.343	6.496	2.250	2.250	1.417	0.875	A 3.15	0.771	0.187
182/4T	-	4.563	4.090	8.557	4.500/5.500	0.406	6.299	2.750	2.750	1.969	1.125	A 3.15	0.984	0.250
213/5T	-	5.551	5.250	10.144	5.500/7.000	0.406	7.953	3.500	3.380	2.480	1.375	A 4	1.203	0.313

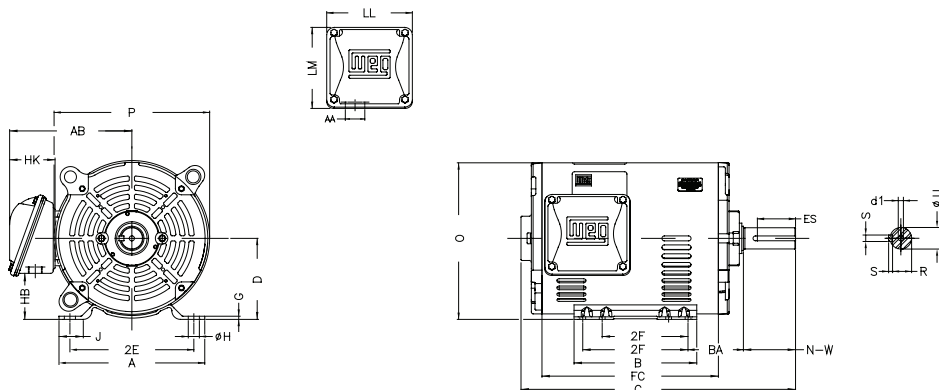
### Frames 143



### Frames 182



### Frame 213 to 256



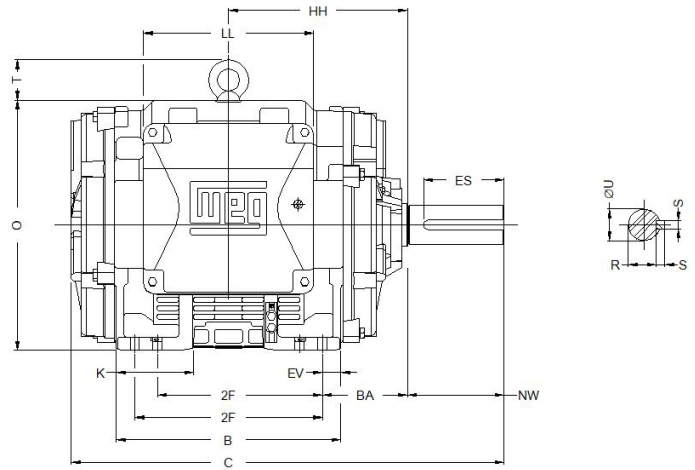
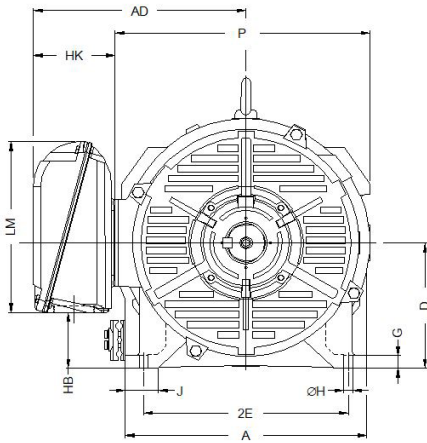
## ODP – Cast Iron - Three Phase - General Purpose

NEMA FRAMES	MOUNTING				A	B	C	C WITH DRIP COVER	CH	D	G	J
	2E	2F	H	BA								
254T	10.000	8.250	0.530	4.250	11.496	9.507	20.537	22.368	1.831	6.250	0.630	1.526
254/6T		8.250				11.200	22.285	24.116				1.485
		10.000										
284T	11.000	9.500	0.530	4.750	13.780	11.032	23.158	25.028	1.870	7.000	0.787	2.496
284TS						21.783	23.653					
284/6T		9.500				12.529	24.658	26.529				
		11.000					23.283	25.154				
284/6TS		11.000										
324T	12.500	10.500	0.660	5.250	15.157	12.176	25.807	27.677	1.870	8.000	0.974	2.802
324TS						24.307	27.177					
324/6T		10.500				13.554	27.307	29.177				
		12.000					25.807	27.677				
324/6TS		12.000										
364/5T	14.000	11.250	0.810	5.875	17.165	15.323	29.725	32.186	2.461	9.000	1.181	3.524
		12.250					27.600	30.061				
364/5TS		11.250										
		12.250										
404/5T	16.000	12.250	0.810	6.625	19.921	17.866	34.100	36.482	2.382	10.000	1.181	3.937
		13.750					31.100	33.482				
404/5TS		12.250										
		13.750										
444/5T	18.000	14.500	0.810	7.500	21.260	19.737	38.108	41.199	3.091	11.000	1.181	2.944
		16.500					34.358	37.449				
444/5TS		14.500										
		16.500										

	K	O	P	P WITH PROTECTION SCREEN	P WITH DRIP COVER	T	KEYWAY			SHAFT EXTENSION		AB	HB	HH	AA	d1	BEARINGS	
							S	R	ES	N-W	U						D.E.	O.D.E.
							254T	3.012	12.337	12.598	12.824						14.913	2.023
254/6T	3.563	0.500	1.591	3.150	4.625	1.875	9.250											
284T	3.434	13.782	14.134	14.360	16.213	1.939	0.374	1.416	2.480	3.250	1.625	11.933	2.670	9.500	NPT1.1/2"	A4	6311-Z-C3	6211-Z-C3
284TS							0.500	1.591	3.150	4.625	1.875	10.250						
284/6T	3.847	13.782	14.134	14.360	16.213	1.939	0.500	1.591	3.150	4.625	1.875	11.933	2.670	10.250	NPT1.1/2"	A4	6311-Z-C3	6211-Z-C3
284/6TS							0.374	1.416	2.480	3.250	1.625	10.250						
324T	3.867	15.492	15.669	15.895	17.669	2.252	1.845	3.937	5.250	2.125	13.394	3.658	10.500	NPT2"	A4	6312-Z-C3	6212-Z-C3	
324TS							1.591	2.756	3.750	1.875						11.250		
324/6T	4.359	15.492	15.669	15.895	17.669	2.265	0.500	1.845	3.937	5.250	2.125	13.394	3.658	11.250	NPT2"	A4	6312-Z-C3	6212-Z-C3
324/6TS							1.591	2.756	3.750	1.875	11.250							
364/5T	4.845	18.409	18.406	18.632	19.804	2.795	0.625	2.020	4.331	5.875	2.375	15.583	4.256	12.000	NPT3"	UNC3/4"	6314-C3	6212-Z-C3
364/5TS							0.500	1.591	1.969	3.750	1.875	15.583	5.256	13.500				
404/5T	5.654	19.409	18.504	18.604	19.803	2.795	0.750	2.449	5.512	7.250	2.875	15.583	5.256	13.500	NPT3"	UNC3/4"	6316-C3	6212-Z-C3
404/5TS							0.500	1.845	2.756	4.250	2.125	15.583	5.256	13.500				
444/5T	6.819	21.945	22.467	22.693	24.402	3.543	0.875	2.878	7.087	8.500	3.375	18.711	4.878	15.750	2xNPT3"	UNC3/4"	6319-C3	6314-Z-C3
444/5TS							0.625	2.021	4.331	4.750	2.375	18.711	4.878	15.750			6314-C3	6212-Z-C3

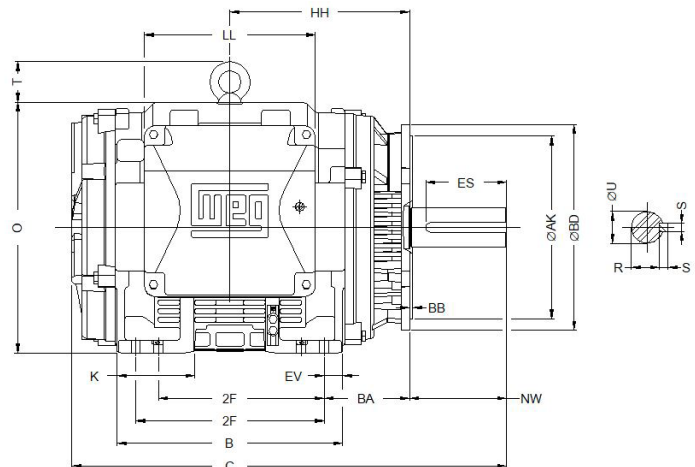
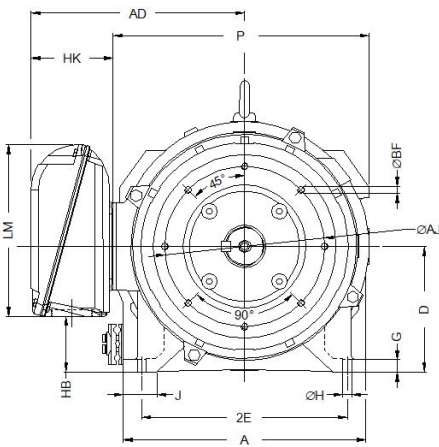
## ODP – Cast Iron - Three Phase - General Purpose- continued

Frame 254T to 444/5TS



### “C” FLANGE DIMENSIONS

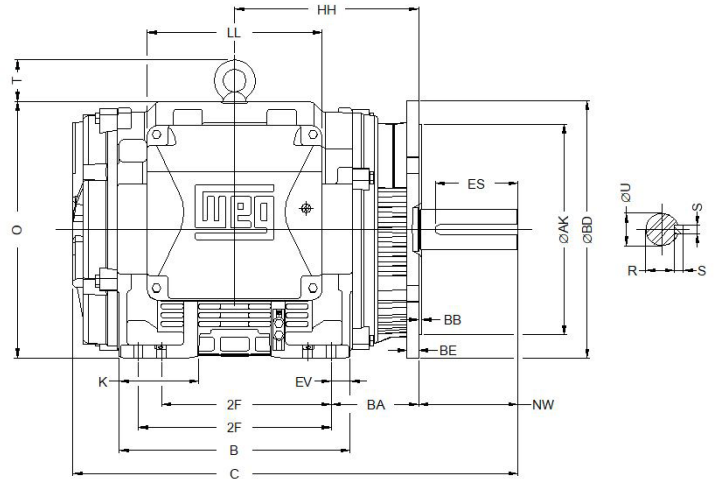
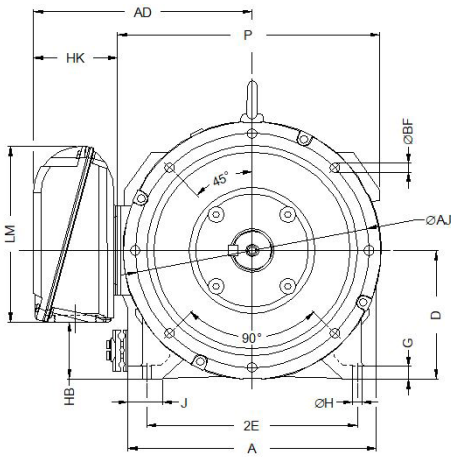
NEMA FRAMES	BA	AJ	AK	BD	BF		BB	BC	AH	C	HH				
					NUMBER	TAP SIZE									
254TC	4.750	7.252	8.500	9.019	4	UNC1/2"-13	0.250	0.250	3.750	21.037	8.876				
254/6TC									22.785	8.876					
284TC	4.750	9.000	10.500	11.295					4.375	23.158	9.500				
284TSC									3.000	21.783	10.250				
284/6TC	5.250	11.000	12.500	14.023					8	UNC5/8"-11	0.250	0.250	4.375	24.658	10.500
284/6TSC													3.000	23.283	11.250
324TC	5.250	11.000	12.500	14.023									5.000	25.807	10.500
324TSC													3.500	24.307	11.250
324/6TC	5.875	14.000	16.000	18.024	5.000	27.307	12.000								
324/6TSC					3.500	25.807	13.500								
364/5TC	6.625	14.000	16.000	18.024	5.625	29.725	12.000								
364/5TSC					3.500	27.600	13.500								
404/5TC	7.500	14.000	16.000	18.024	7.000	34.100	15.750								
404/5TSC					4.000	31.100	15.750								
444/5TC	7.500	14.000	16.000	18.024	8.250	38.325	15.750								
444/5TSC					4.500	34.358	15.750								



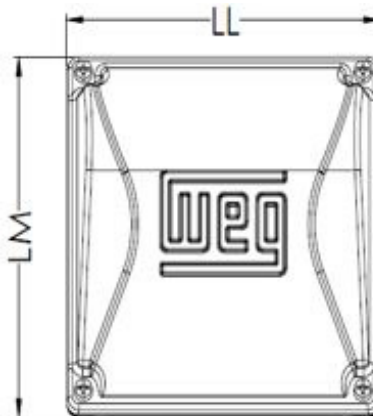
## ODP – Cast Iron - Three Phase - General Purpose

### “D” FLANGE DIMENSIONS

NEMA FRAMES	BA	AJ	AK	BD	BF		BB	C	HH								
					NUMBER	TAP SIZE											
254TD	4.750	12.500	11.000	13.934	4	0.810	0.250	21.037	8.876								
254/6TD								22.785	9.750								
284TD	4.750			23.158				9.500									
284TSD									21.783	10.250							
284/6TD				24.658													
284/6TSD				23.283													
324TD	5.250	16.000	14.000	17.717				8	0.250	0.250	25.807	10.500					
324TSD											24.307						
324/6TD				27.307							11.250						
324/6TSD				25.807													
364/5TD	5.875			20.000							18.000	17.633	8	0.250	0.250	29.725	12.000
364/5TSD																27.600	
404/5TD	6.625	21.571	15.750														
404/5TSD					34.100	13.500											
444/5TD	7.500	22.105	15.750														
444/5TSD					38.325	15.750											
												34.358					



FRAME	TERMINAL BOX	
	LL	LM
254/6	7.813	7.494
284/6	8.571	8.993
324/6	8.993	9.921
364/5	10.591	11.262
404/5		
444/5	14.940	15.063





## Explosion Proof - Three Phase

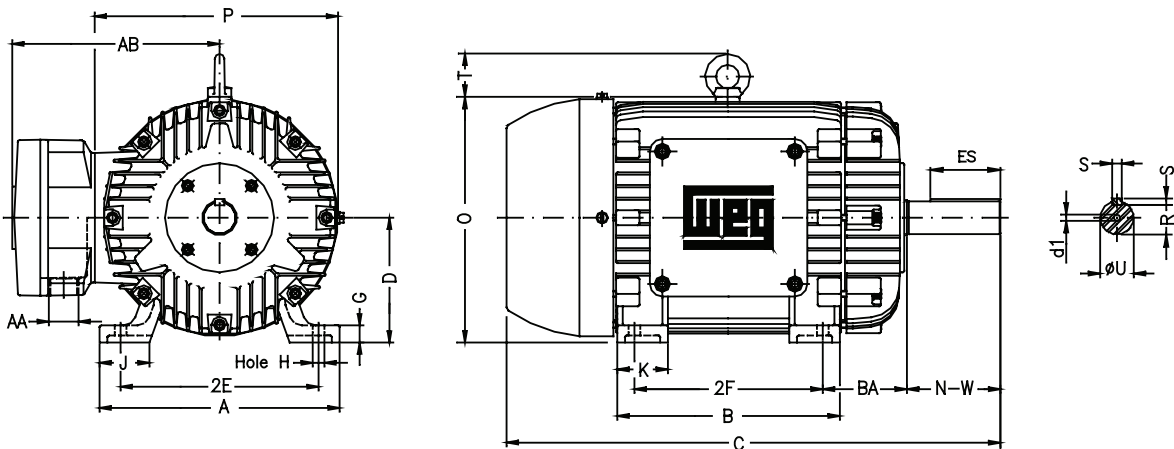
Frame	2E	2F	A	AA	AB	B	BA	C	D	G	Hole H	J	
143T	5.500	4.000	6.457	NPT 3/4"	6.811	5.157	2.250	12.760	3.500	0.429	0.344	1.496	
145T		5.000				6.142		13.752					
182T	7.500	4.500	8.661		NPT 1"	8.240	5.945	2.750	14.862	4.500	0.787	0.406	1.890
184T		5.500					6.969		15.862				
213T	8.500	7.000	9.764	NPT 1"	9.252	7.402	3.500	17.952	5.250	0.827	2.008		
215T		5.500				8.898		19.450					
254T	10.000	8.252	12.126	NPT 1 1/2"	11.063	10.000	4.250	23.175	6.250	0.817	0.531	2.520	
256T		10.000				11.732		24.923					
284T	11.000	9.500	13.780		11.850	11.575	4.750	26.407	7.000	1.024		0.657	3.150
284TS		25.033											
286T		11.000		27.905									
286TS		26.531											
324T	12.500	10.500	15.157	NPT 2"	12.961	13.071	5.250	29.602	8.000	1.307	0.657	3.228	
324TS		28.102											
326T		12.000			14.567	31.106							
326TS		29.606											
364/5T	14.000	11.250/12.250	17.165	NPT 3"	16.654	15.394	5.875	33.701	9.000	1.480	3.150		
364/5TS								31.575					
404/5T	16.000	12.250/13.752	19.921		16.654	17.520	6.625	6.625	38.074	10.000	1.812	0.807	3.937
404/5TS									35.074				
444/5T	18.000	14.500/16.500	21.929	2xNPT 3"	21.732	20.079	7.500	43.797	11.000	1.630	0.807	3.937	
444/5TS		40.047											
447T		20.000			23.640	47.339							
447TS		43.589											
449T		25.000			20.984	54.996							
449TS		32.126			51.246								
504/5T	20.000	16.000/18.000	24.724	21.850	21.969	8.500	8.500	49.445	12.500	2.146	1.250	4.724	
504/5TS								46.875					
586/7T	23.000	22.000/25.000	29.528	25.787	29.921	10.00	10.00	61.389	14.500	2.492	1.181	5.236	
586/7TS								54.514					

## TEFC – Explosion Proof *continued*

Frames 143T to 586/7TS

Frame	K	O	P	T	Shaft end						Bearings																																				
					d1	ES	N-W	R	S	U	D.E.	N.D.E.																																			
143T	1.654	7.000	7.000	*	A 4	1.575	2.250	0.765	0.187	0.875	6205 ZZ	6204 ZZ																																			
145T																																															
182T	1.969	9.421	8.909	1.772									A 4	1.969	2.750	0.984	0.250	1.125	6307 ZZ	6206 ZZ																											
184T																																															
213T	2.165	11.156	10.709	1.772																	A 4	2.480	3.375	1.203	0.313	1.375	6308 ZZ	6207 ZZ																			
215T																																															
254T	2.559	12.352	12.224	2.087																									A 4	2.756	4.000	1.406	0.375	1.625	6309 ZZ-C3	6209 ZZ-C3											
256T																																															
284T	2.953	14.362	14.094	2.441																																	A 4	3.149	4.622	1.594	0.500	1.875	6311 ZZ-C3	6211 ZZ-C3			
284TS																																															
286T																																															
286TS																																															
324T	3.346	15.992	15.697	2.795																																		A 4	3.937	5.250	1.844	0.500	2.125	6312 ZZ-C3	6212 ZZ-C3		
324TS																																															
326T																																															
326TS																																															
364/5T	4.134	18.898	18.583	2.795																																			DUNC 3/4"-10	4.330	5.874	2.019	0.625	2.375	6314 C3	6314 C3	
364/5TS																																															
404/5T	5.433	19.843	18.583	2.795																																				DUNC 3/4"-10	5.512	7.250	2.449	0.750	2.875	6217 C3	6314 C3
404/5TS																																															
444/5T	5.591	23.622	24.016	3.543	DUNC 3/4"-10	7.087	8.500	2.880	0.875	3.375	6219 C3	6316 C3																																			
444/5TS																																															
447T																																															
447TS																																															
449T	7.104	23.622	24.016	3.543		DUNC 3/4"-10	3.000	4.750	2.021	0.625	2.375	6314 C3	6314 C3																																		
449TS																																															
504/5T	5.984	25.197	24.212	3.543			DUNC 3/4"-10	7.087	8.500	2.880	0.875	3.375	6322 C3	6319 C3																																	
504/5TS																																															
586/7T	7.874	30.428	30.709	4.291				DUNC 7/8"-9	8.661	11.625	3.312	1000.000	3.875	6322 C3	6319 C3																																
586/7TS																																															

### Frames 143T to 586/7TS

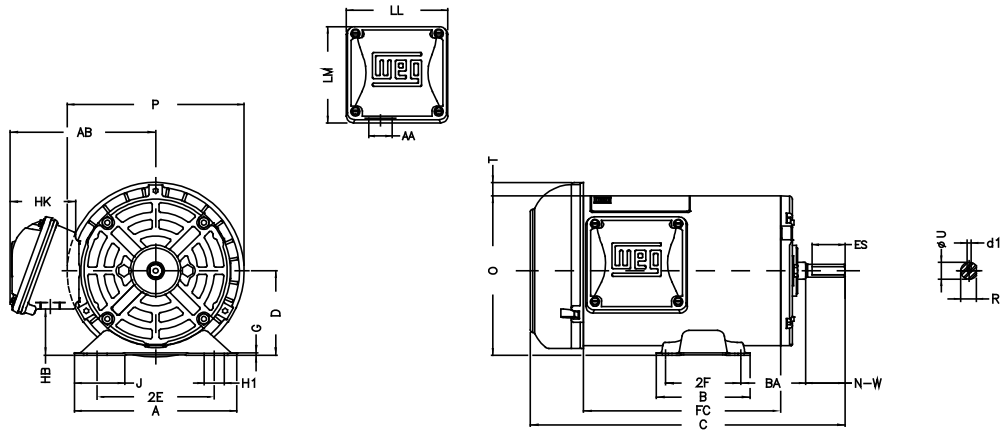


## Fractional - Three Phase - TEFC - NEMA Premium®

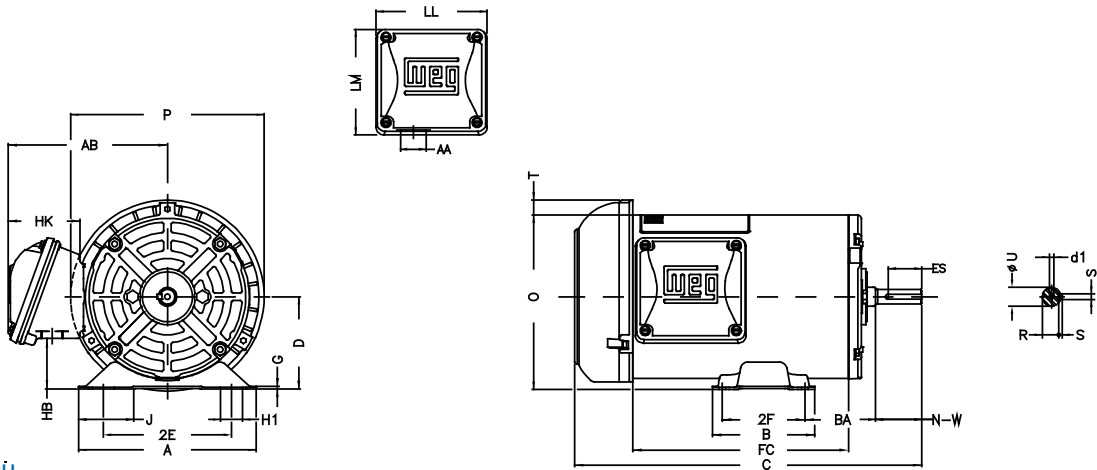
Frame	2E	J	A	P	AB	AH	2F	B	BA	CH	U	N-W	Key Length	R	D
48	4.236	1.835	6.142	6.693	5.52	1.689	2.748	3.543	2.5	1.417	0.5	1.5	1.26	0.451	3
W56	4.874	1.62	6.535	6.693	5.52	2.063	3	4.016	2.75	1.417	0.625	1.874	1.417	0.517	3.5
56	4.874	1.732	6.535	7.638	5.882	2.062	3	4.016	2.75	1.377	0.625	1.874	1.417	0.517	3.5
56H	4.874	1.732	6.535	7.638	5.882	2.062	3.000/5.000	6.496	2.75	1.377	0.625	1.874	1.417	0.517	3.5

Frame	H1	G	HB	O	HD	HK	Hole H	C	LL	LM	S	AA	T	DE	NDE
48	1.22	0.075	1.559	5.83	6.354	2.65	0.343		3.835	3.697		0.881"	0.524	6203 ZZ	6202 ZZ
W56	1.22	0.12	2.055	6.33	6.854	2.65	0.343		3.835	3.697	0.187	0.881"	0.524	6203 ZZ	6202 ZZ
56	1.22	0.12	1.783	6.724	7.327	2.638	0.343		4.543	4.106	0.187	0.881"	0.603	6203 ZZ	6202 ZZ
56H	1.22	0.12	1.783	6.724	7.327	2.638	0.343		4.543	4.106	0.187	0.881"	0.603	6204 ZZ	6202 ZZ

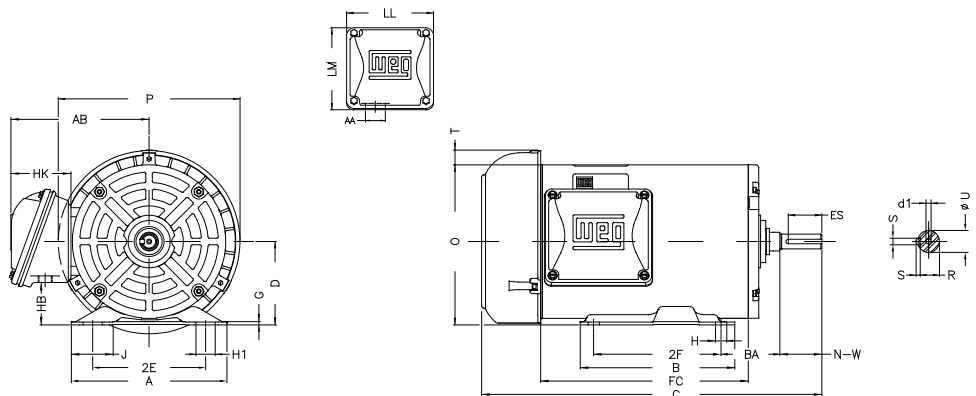
Frame 48



Frame W56



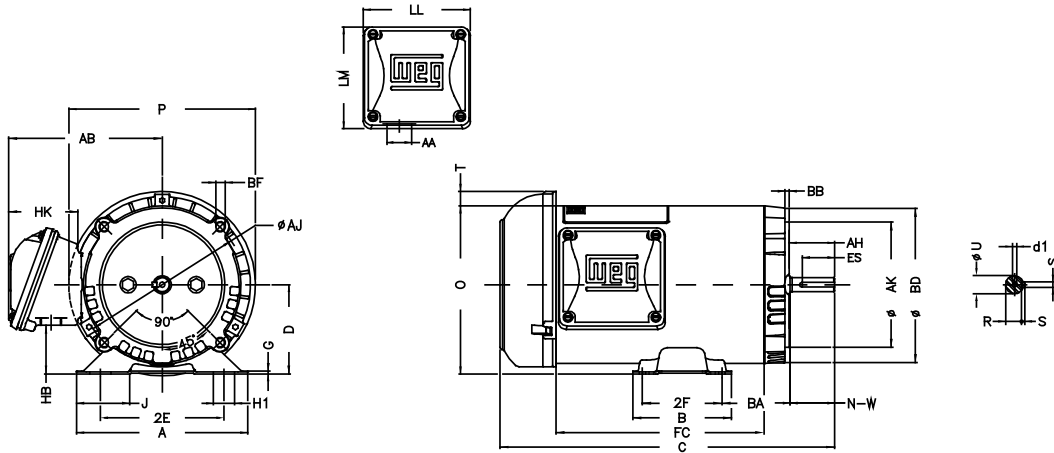
Frame 56 - 56H



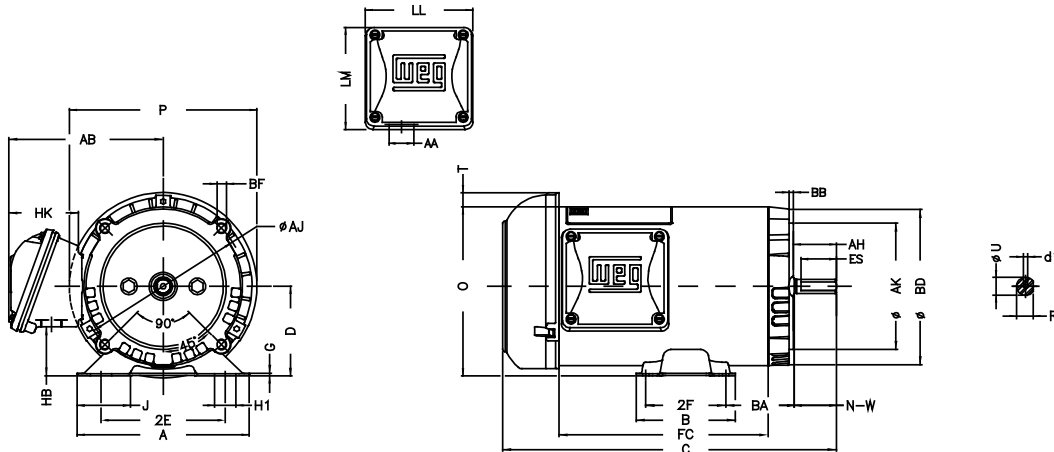
## Fractional - Three Phase - TEFC - NEMA Premium® - C-Face

Frame	Type	Flange	Size	AJ	AK	BD	S	T	AH	Angle	BF Number
W56	C	C	FC-149	5.874	4.5	6.47	UNC 3/8"x16-2B	0.157	2.063	45°	4
48	C	C	FC-95	3.748	3	4.74	UNC 1/4"x20-2B	0.157	1.689	45°	4
56	C	C	FC-149	5.874	4.5	6.45	UNC 3/8"x16-2B	0.157	2.062	45°	4
56H	C	C	FC-149	5.874	4.5	6.45	UNC 3/8"x16-2B	0.157	2.062	45°	4

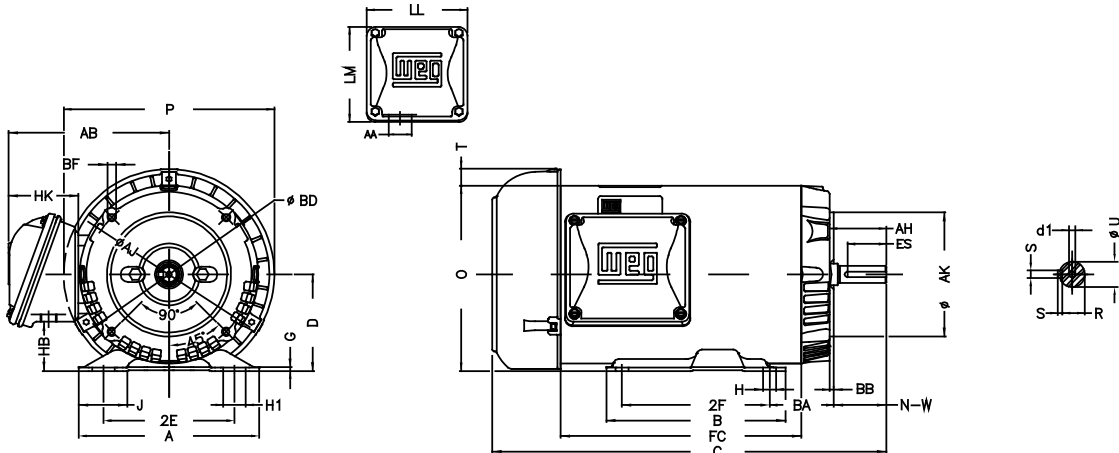
Frame W56



Frame 48



Frame 56/56H

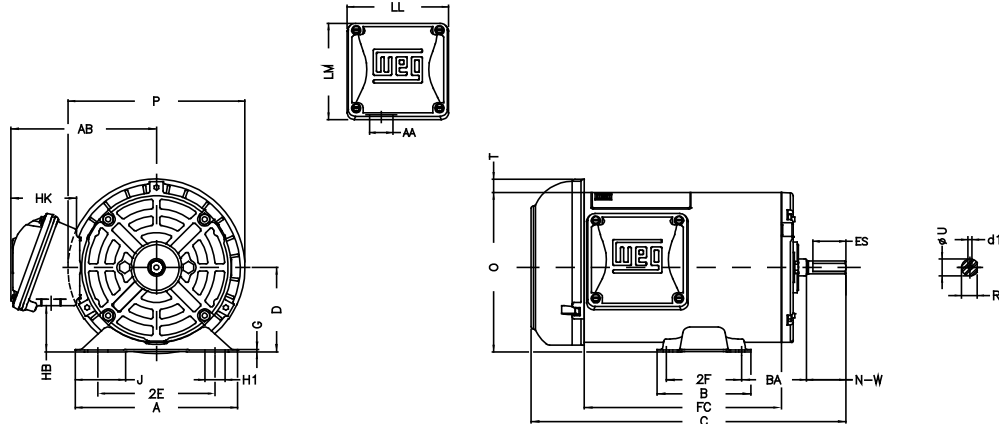


## Fractional - Three Phase - TEFC - Standard Efficiency

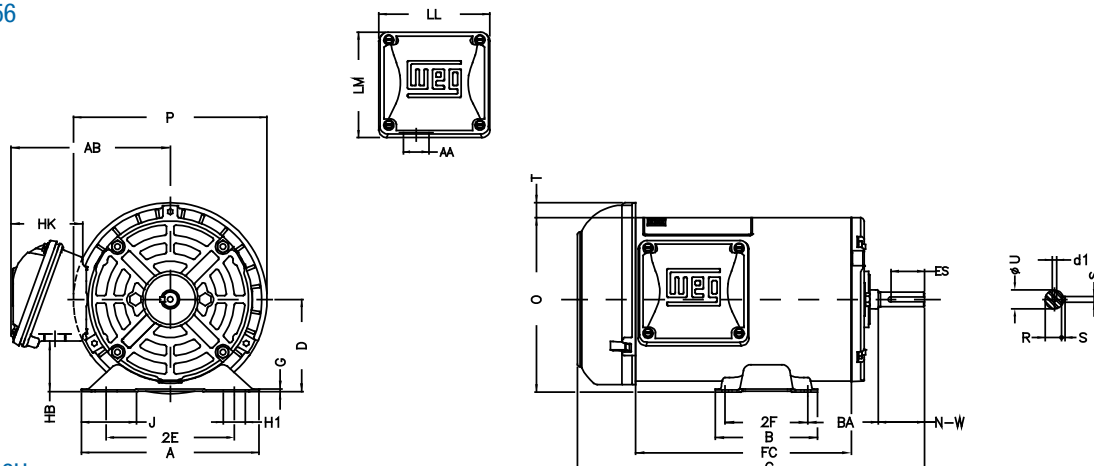
Frame	2E	J	A	P	AB	AH	2F	B	BA	CH	U	d1	N-W	Key Length	R	D
48	4.236	1.835	6.142	6.693	5.52	1.689	2.748	3.543	2.5	1.417	0.5	A 3,15	1.5	1.26	0.451	3
W56	4.874	1.62	6.535	6.693	5.52	2.063	3	4.016	2.75	1.417	0.625	A 3,15	1.874	1.417	0.517	3.5
56	4.874	1.732	6.535	7.638	5.882	2.062	3	4.016	2.75	1.377	0.625	A 3,15	1.874	1.417	0.517	3.5
56H	4.874	1.732	6.535	7.638	5.882	2.062	3.000/5.000	6.496	2.75	1.377	0.625	A 3,15	1.874	1.417	0.517	3.5

Frame	H1	G	HB	O	HD	HK	Hole H	C	LL	LM	AJ	S	AA	T	DE	NDE
48	1.22	0.075	1.559	5.83	6.354	2.65	0.343	-	3.835	3.697	5.874		0.881"	0.524	6203 ZZ	6202 ZZ
W56	1.22	0.12	2.055	6.33	6.854	2.65	0.343	-	3.835	3.697	3.748	0.187	0.881"	0.524	6203 ZZ	6202 ZZ
56	1.22	0.12	1.783	6.724	7.327	2.638	0.343	-	4.543	4.106	5.874	0.187	0.881"	0.603	6203 ZZ	6202 ZZ
56H	1.22	0.12	1.783	6.724	7.327	2.638	0.343	-	4.543	4.106	5.874	0.187	0.881"	0.603	6204 ZZ	6202 ZZ

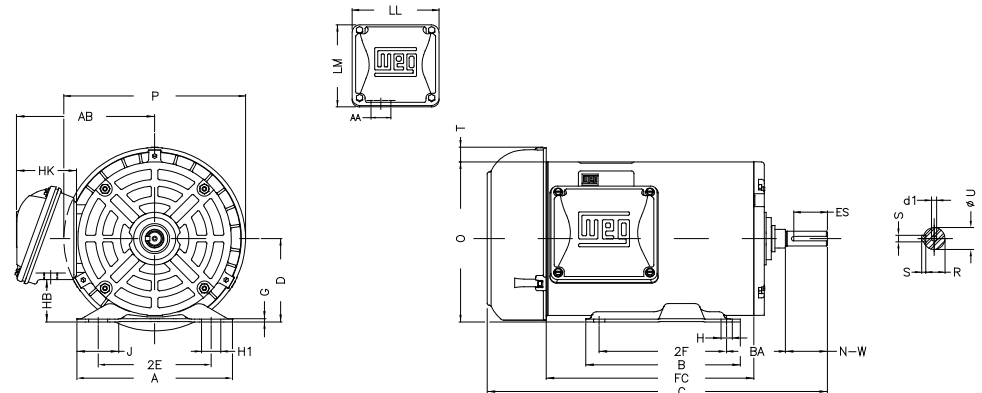
Frame 48



Frame W56



Frame 56 - 56H

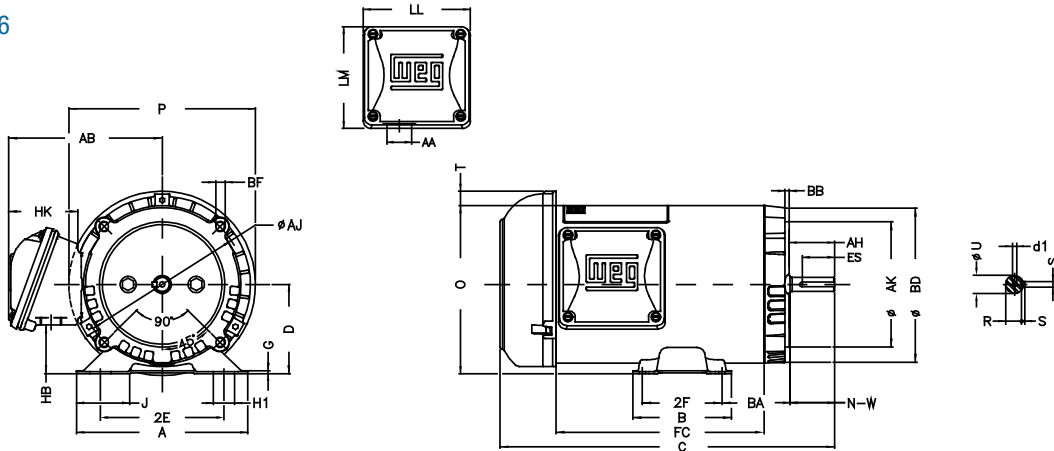


Mechanical Data

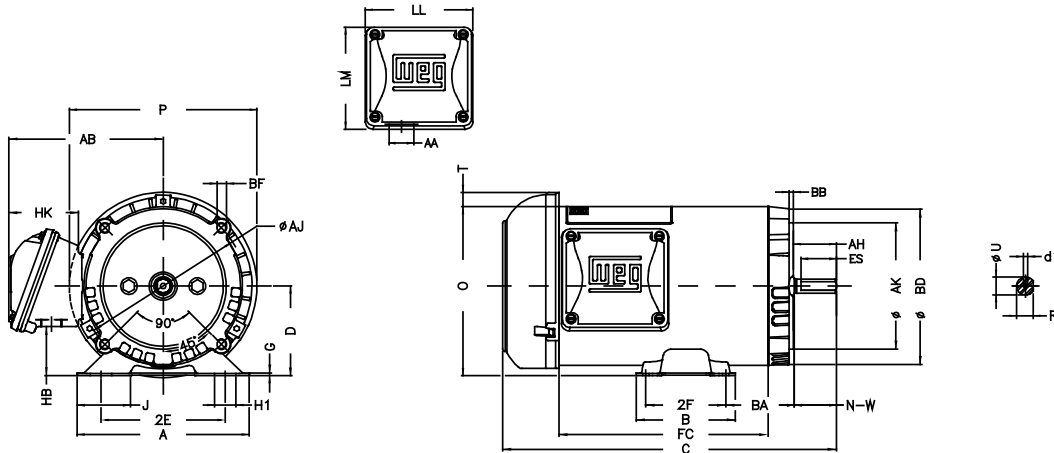
## Fractional - Three Phase - TEFC - Standard Efficiency - C-Face

Frame	Type	Flange	Size	BB	AJ	AK	BD	S	T	AH	Angle	BF Number
W56	C	C	FC-149	0.157	5.874	4.5	6.47	UNC 3/8"x16-2B	0.157	2.063	45°	4
48	C	C	FC-95	0.157	3.748	3	4.74	UNC 1/4"x20-2B	0.157	1.689	45°	4
56	C	C	FC-149	0.157	5.874	4.5	6.45	UNC 3/8"x16-2B	0.157	2.062	45°	4
56H	C	C	FC-149	0.157	5.874	4.5	6.45	UNC 3/8"x16-2B	0.157	2.062	45°	4

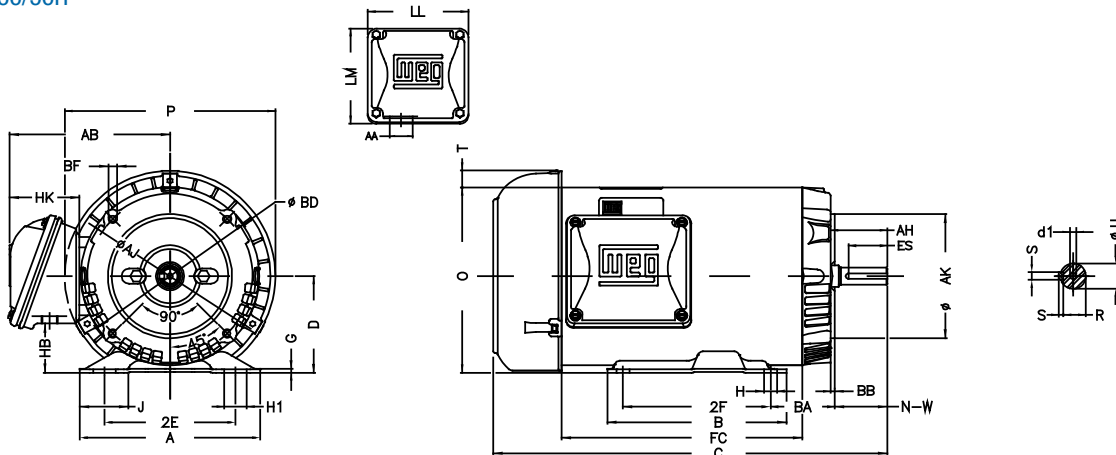
Frame W56



Frame 48



Frame 56/56H

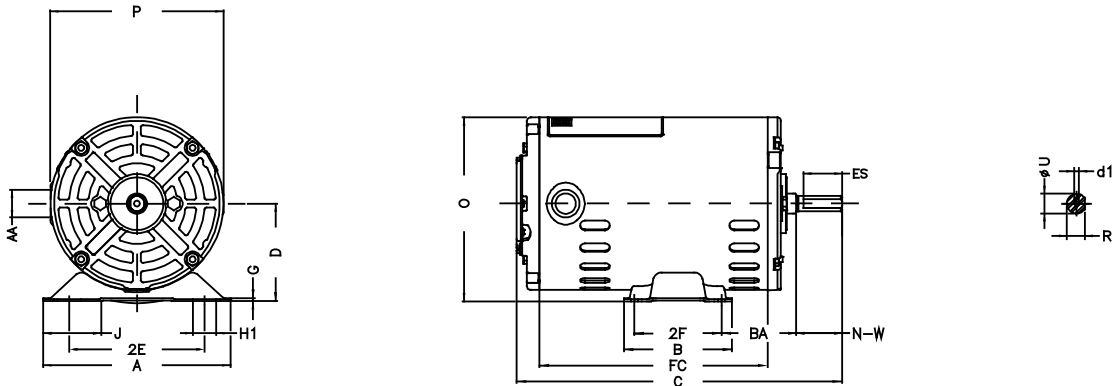


## Fractional - Three Phase - ODP - Premium Efficiency

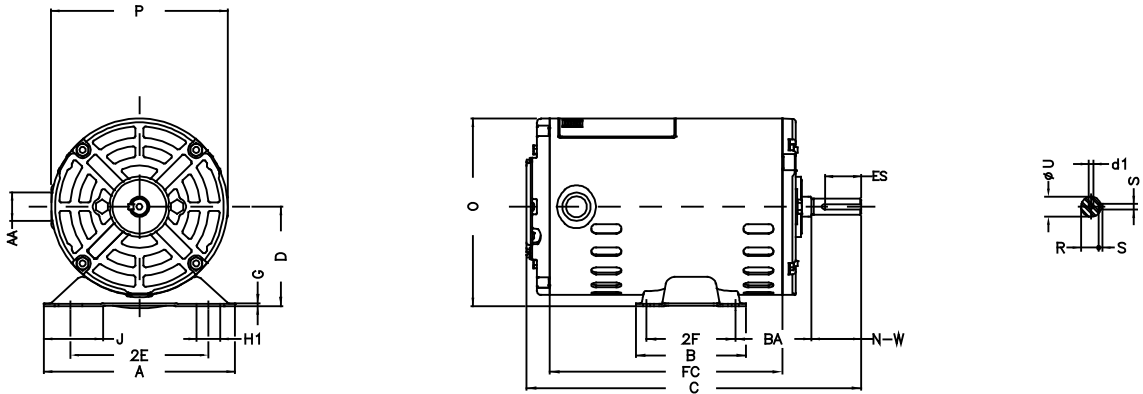
Frame	2E	J	A	P	AB	AH	2F	B	BA	CH	U	N-W	Key Length	R	D
48	4.236	1.835	6.142	5.709	5.52	1.689	2.748	3.543	2.5	1.22	0.5	1.5	1.26	0.451	3
W56	4.874	1.62	6.535	5.709	5.52	2.063	3	4.016	2.75	1.22	0.625	1.874	1.417	0.517	3.5
56	4.874	1.732	6.535	6.456	3.323	2.062	3	4.016	2.75	1.377	0.625	1.874	1.417	0.517	3.5
56H	4.874	1.732	6.535	6.456	5.882	2.062	3.000/5.000	6.496	2.75	1.377	0.625	1.874	1.417	0.517	3.5

Frame	H1	G	HB	O	HD	HK	Hole H	C	LL	LM	S	AA	T	DE	NDE
48	1.22	0.075	1.559	5.83	6.354	2.65	0.343		3.835	3.697		NPT 1/2"	0.524	6203 ZZ	6202 ZZ
W56	1.22	0.12	2.055	6.33	6.854	2.65	0.343		3.835	3.697	0.187	NPT 1/2"	0.524	6203 ZZ	6202 ZZ
56	1.22	0.12	1.784	6.724	6.728	2.629	0.343		4.563	4.09	0.187	NPT 1/2"	0.004	6203 ZZ	6202 ZZ
56H	1.22	0.12	1.783	6.724	6.728	2.638	0.343		4.543	4.106	0.187	NPT 1/2"	0.004	6204 ZZ	6202 ZZ

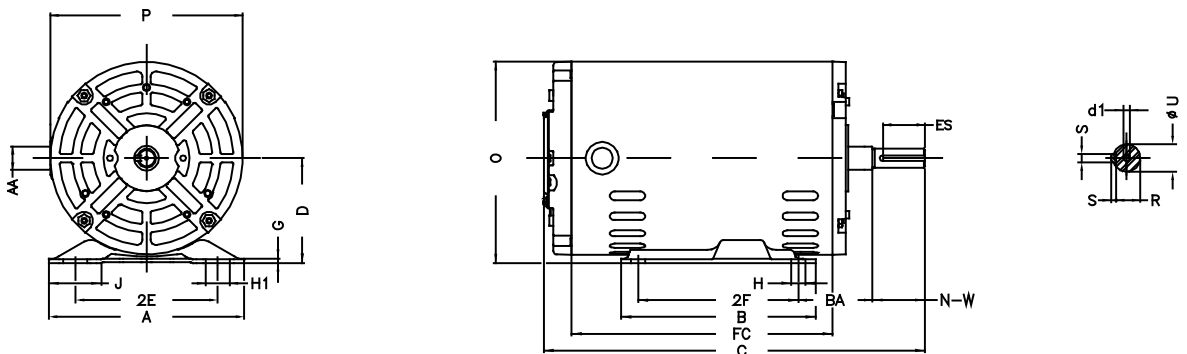
Frame 48



Frame W56



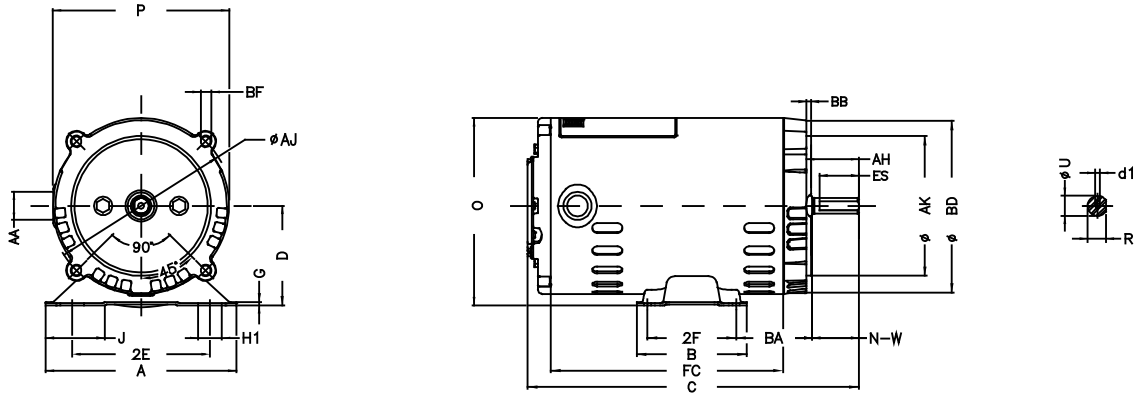
Frame 56 - 56H



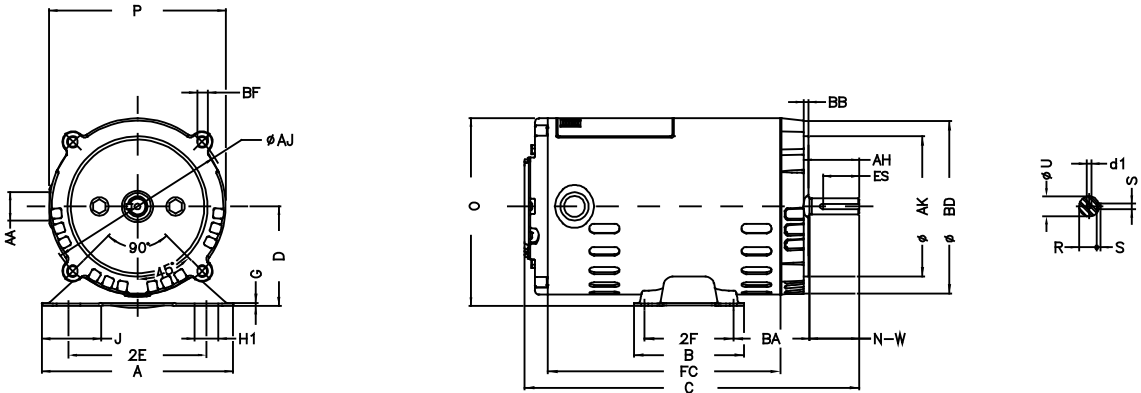
## Fractional - Three Phase - ODP - Premium Efficiency - C-Face

Frame	Type	Flange	Size	AJ	AK	BD	S	T	AH	Angle	BF Number
W56	C	C	FC-149	5.874	4.5	6.47	UNC 3/8"x16-2B	0.157	2.063	45°	4
48	C	C	FC-95	3.748	3	4.74	UNC 1/4"x20-2B	0.157	1.689	45°	4
56	C	C	FC-149	5.874	4.5	6.45	UNC 3/8"x16-2B	0.157	2.062	45°	4
56H	C	C	FC-149	5.874	4.5	6.45	UNC 3/8"x16-2B	0.157	2.062	45°	4

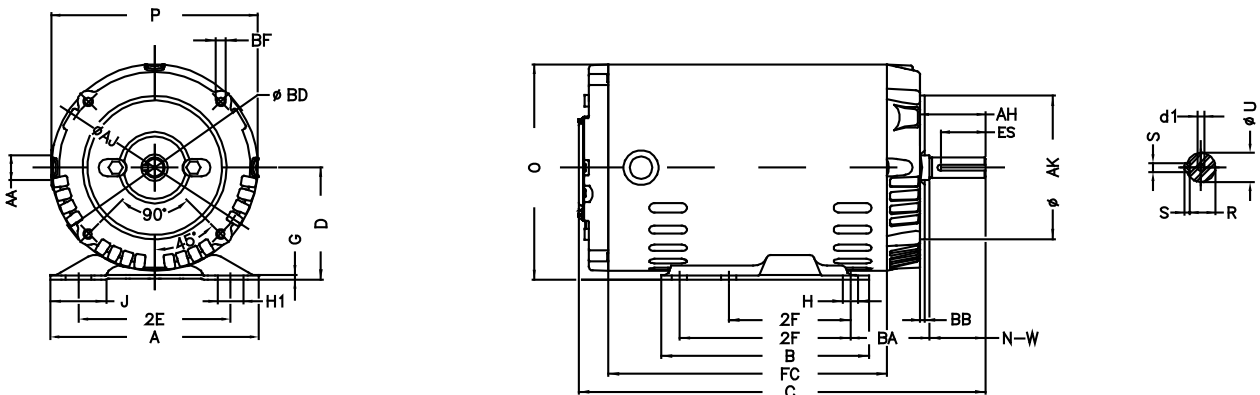
Frame 48



Frame W56



Frame 56 - 56H



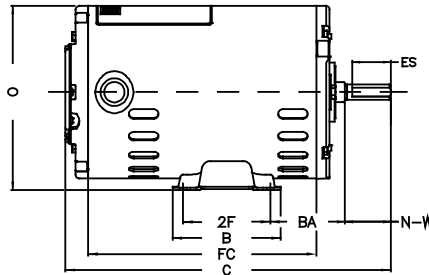
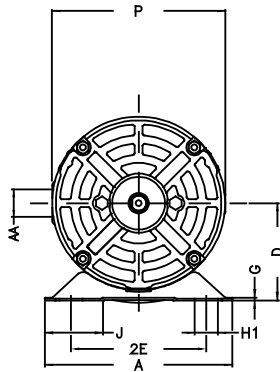


## Fractional - Three Phase - ODP - Standard Efficiency

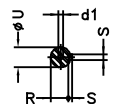
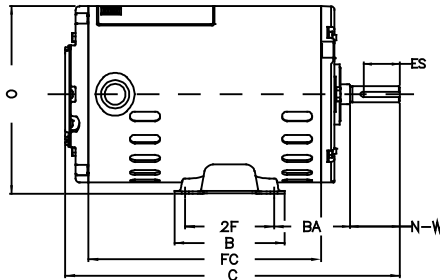
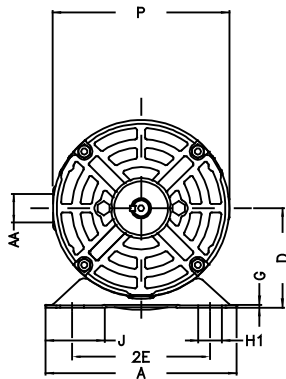
Frame	2E	J	A	P	AB	AH	2F	B	BA	CH	U	N-W	Key Length	R	D
48	4.236	1.835	6.142	5.709	5.52	1.689	2.748	3.543	2.5	1.22	0.5	1.5	1.26	0.451	3
W56	4.874	1.62	6.535	5.709	5.52	2.063	3	4.016	2.75	1.22	0.625	1.874	1.417	0.517	3.5
56	4.874	1.732	6.535	6.456	3.323	2.062	3	4.016	2.75	1.377	0.625	1.874	1.417	0.517	3.5
56H	4.874	1.732	6.535	6.456	5.882	2.062	3.000/5.000	6.496	2.75	1.377	0.625	1.874	1.417	0.517	3.5

Frame	H1	G	HB	O	HD	HK	Hole H	C	LL	LM	S	AA	T	DE	NDE
48	1.22	0.075	1.559	5.83	6.354	2.65	0.343		3.835	3.697		NPT 1/2"	0.524	6203 ZZ	6202 ZZ
W56	1.22	0.12	2.055	6.33	6.854	2.65	0.343		3.835	3.697	0.187	NPT 1/2"	0.524	6203 ZZ	6202 ZZ
56	1.22	0.12	1.784	6.724	6.728	2.629	0.343		4.563	4.09	0.187	NPT 1/2"	0.004	6203 ZZ	6202 ZZ
56H	1.22	0.12	1.783	6.724	6.728	2.638	0.343		4.543	4.106	0.187	NPT 1/2"	0.004	6204 ZZ	6202 ZZ

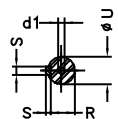
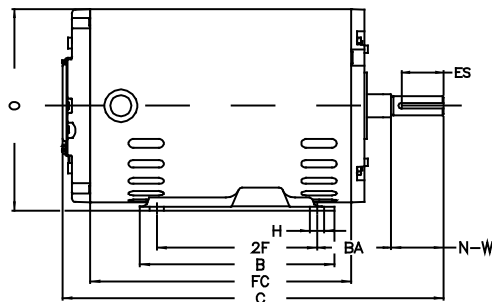
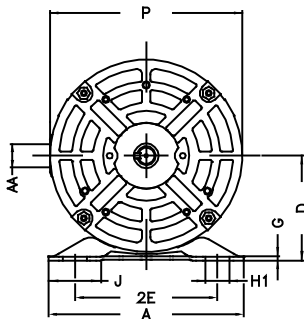
Frame 48



Frame W56



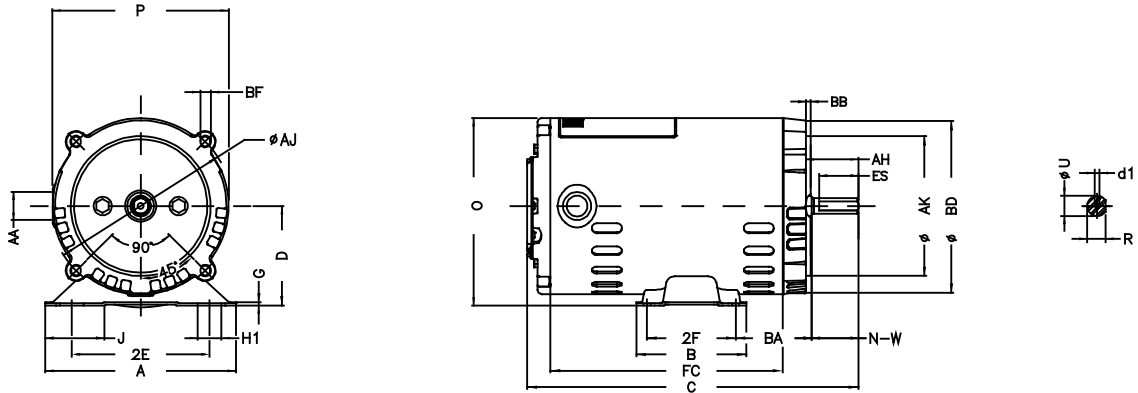
Frame 56 - 56H



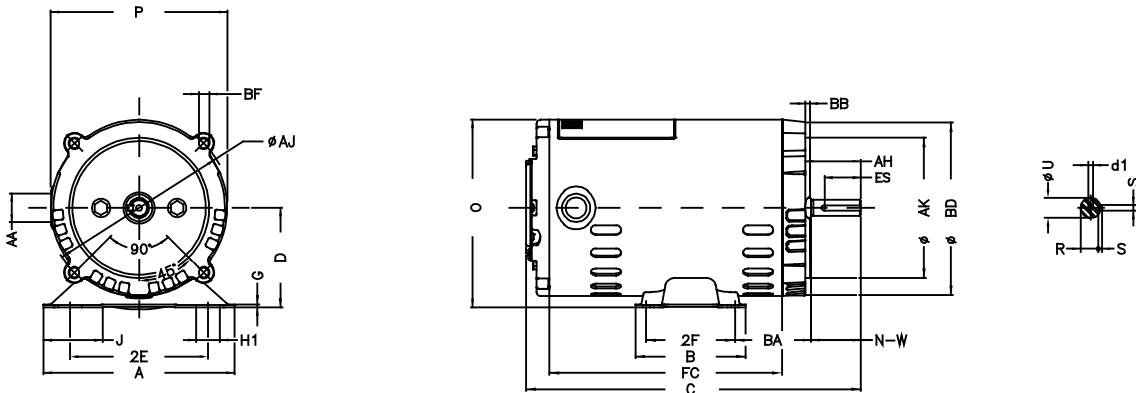
## Fractional - Three Phase - ODP - Standard Efficiency - C-Face

Frame	Type	Flange	Size	AJ	AK	BD	BB	S	T	AH	Angle	BF Number
W56	C	C	FC-149	5.874	4.5	6.47	0.157	UNC 3/8"x16-2B	0.157	2.063	45°	4
48	C	C	FC-95	3.748	3	4.74	0.157	UNC 1/4"x20-2B	0.157	1.689	45°	4
56	C	C	FC-149	5.874	4.5	6.45	0.157	UNC 3/8"x16-2B	0.157	2.062	45°	4
56H	C	C	FC-149	5.874	4.5	6.45	0.157	UNC 3/8"x16-2B	0.157	2.062	45°	4

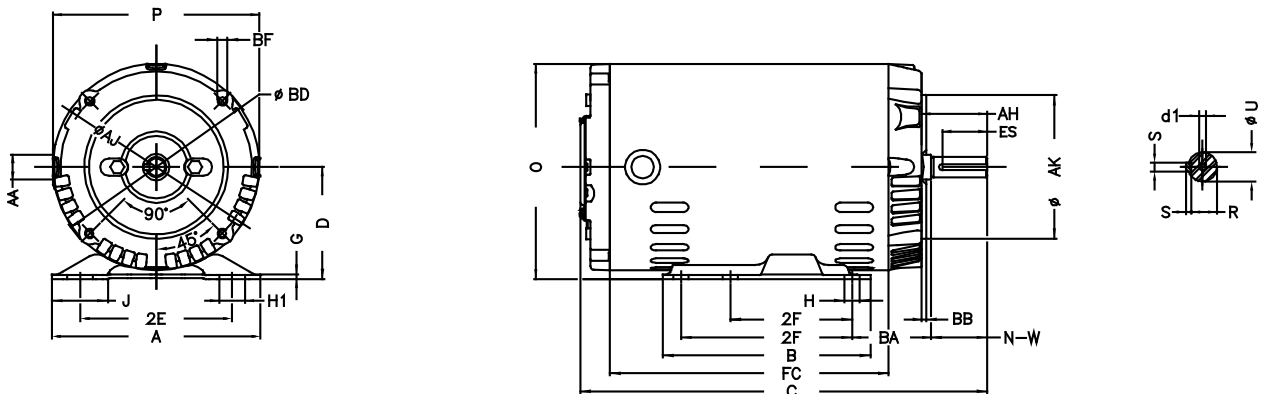
Frame 48



Frame W56



Frame 56 - 56H



## Cooling Tower Motors - Three Phase - TEFC

Frame	2E	J	A	P	AB	AH	2F	B	BA	CH	U	N-W	Key Length	R	D
143T	5.5	1.437	6.457	6.85	6.26	2.125	4	5.157	2.25	0.708	0.875	2.25	1.575	0.771	3.5
143/5T	5.5	1.437	6.457	6.85	6.26	2.125	4.000/5.000	6.142	2.25	0.708	0.875	2.25	1.575	0.771	3.5
145T	5.5	1.437	6.457	6.85	6.26	2.125	5	6.142	2.25	0.708	0.875	2.25	1.575	0.771	3.5
182T	7.5	1.614	8.661	8.504	7.565	2.625	4.5	5.945	2.75	1.22	1.125	2.75	1.969	0.984	4.5
182/4T	7.5	1.614	8.661	8.504	7.565	2.625	4.500/5.500	6.969	2.75	1.22	1.125	2.75	1.969	0.984	4.5
213T	8.5	1.779	9.764	10.669	8.667	3.125	5.5	7.362	3.5	1.22	1.375	3.375	2.48	1.203	5.25
213/5T	8.5	1.779	9.764	10.669	8.667	3.125	5.500/7.000	8.858	3.5	1.22	1.375	3.375	2.48	1.203	5.25
215T	8.5	1.779	9.764	10.669	8.667	3.125	7	8.858	3.5	1.22	1.375	3.375	2.48	1.203	5.25
254T	10	2.539	12.126	12.48	10.483	3.75	8.252	10	4.25	1.85	1.625	4	2.756	1.416	6.25
254/6T	10	2.539	12.126	12.48	10.483	3.75	8.252/10.000	11.732	4.25	1.85	1.625	4	2.756	1.416	6.25
256T	10	2.539	12.126	12.48	10.483	3.75	10	11.732	4.25	1.85	1.625	4	2.756	1.416	6.25
284TS	11	3.11	13.78	13.78	11.073	3	9.5	11.575	4.75	2.244	1.625	3.25	2.48	1.416	7
284T	11	3.11	13.78	13.78	11.073	4.375	9.5	11.575	4.75	2.244	1.875	4.622	3.149	1.594	7
284/6T	11	3.11	13.78	13.78	11.073	4.375	9.500/11.000	13.071	4.75	2.244	1.875	4.622	3.149	1.594	7
284/6TS	11	3.11	13.78	13.78	11.073	3	9.500/11.000	13.071	4.75	2.244	1.625	3.25	2.48	1.416	7
324T	12.5	3.189	15.157	14.961	12.575	5	10.5	13.071	5.25	2.638	2.125	5.25	3.937	1.844	8
324TS	12.5	3.189	15.157	14.961	12.575	3.5	10.5	13.071	5.25	2.638	1.875	3.75	2.756	1.594	8
324/6TS	12.5	3.189	15.157	14.961	12.575	3.5	12	14.567	5.25	2.638	1.875	3.75	2.756	1.594	8
324/6T	12.5	3.189	15.157	14.961	12.575	5	10.500/12.000	14.567	5.25	2.638	2.125	5.25	3.937	1.844	8
326T	12.5	3.189	15.157	14.961	12.575	5	12	14.567	5.25	2.638	2.125	5.25	3.937	1.844	8
326TS	12.5	3.189	15.157	14.961	12.575	3.5	12	14.567	5.25	2.638	1.875	3.75	2.756	1.594	8
364/5T	14.016	3.15	17.165	17.914	16.016	5.625	11.260/12.244	15.512	5.875	3.189	2.375	5.874	4.33	2.019	9
364/5TS	14.016	3.15	17.165	17.914	16.016	3.5	11.260/12.244	15.512	5.875	3.189	1.875	3.748	1.968	1.591	9
404/5T	15.984	3.937	19.921	19.134	16.016	7	12.244/13.740	18.386	6.625	3.189	2.875	7.25	5.512	2.449	10
404/5TS	15.984	3.937	19.921	19.134	16.016	4	12.244/13.740	18.386	6.625	3.189	2.125	4.25	2.756	1.842	10
444/5T	18	3.937	21.929	23.583	18.57	8.25	14.500/16.500	20.315	7.5	3.583	3.375	8.5	7.087	2.88	11
444/5TS	18	3.937	21.929	23.583	18.57	4.5	14.500/16.500	20.315	7.5	3.583	2.375	4.75	3	2.021	11
445/7T	18	3.937	21.929	23.583	20.559	8.25	16.500/20.000	23.897	7.5	3.583	3.375	8.5	7.087	2.88	11
445/7TS	18	3.937	21.929	23.583	20.559	4.5	16.500/20.000	23.897	7.5	3.583	2.375	4.75	3	2.021	11
447/9T	18	3.937	21.929	23.583	20.559	8.25	20.000/25.000	31.535	7.5	3.583	3.375	8.5	7.087	2.88	11
447/9TS	18	3.937	21.929	23.583	20.559	4.5	20.000/25.000	31.535	7.5	3.583	2.375	4.75	3	2.021	11
L447/9T	18	3.937	21.929	25.866	23.72	8.25	20.000/25.000	31.535	7.5	3.583	3.375	8.5	7.087	2.88	11
L447/9TS	18	3.937	21.929	25.866	23.72	4.5	20.000/25.000	31.535	7.5	3.583	2.375	4.75	3	2.021	11
504/5T	20	4.724	24.724	25.866	20.599	10.375	16.000/18.000	24.449	8.5	3.583	3.625	10.63	8.661	3.134	12.5
504/5TS	20	4.724	24.724	25.866	20.599	4.5	16.000/18.000	24.449	8.5	3.583	2.375	4.75	3	2.021	12.5
586/7T	23	5.512	29.528	28.977	23.189	11.375	22.000/25.000	29.921	10	3.583	3.875	11.625	8.661	3.312	14.5
586/7TS	23	5.512	29.528	28.977	23.189	4.5	22.000/25.000	29.921	10	3.583	2.375	4.75	3	2.021	14.5
588/9T	23	5.512	29.528	28.977	27.44	11.375	28.000/32.000	37.98	10	3.583	3.875	11.625	8.661	3.312	14.5
588/9TS	23	5.512	29.528	28.977	27.44	4.5	28.000/32.000	37.98	10	3.583	2.375	4.75	3	2.021	14.5

continued on next page

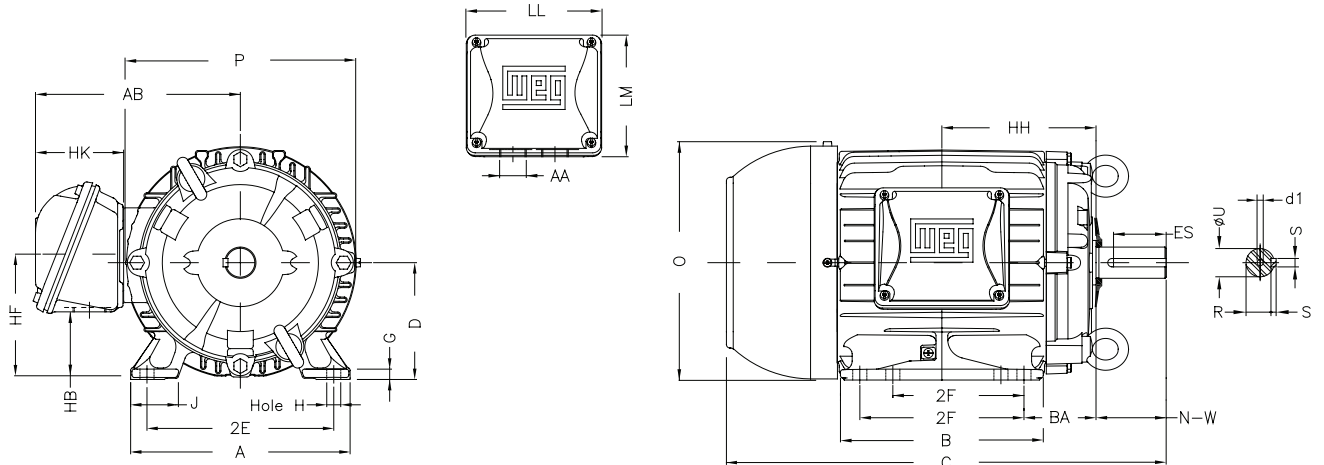


Cooling Tower Motors - Three Phase - TEFC - continued

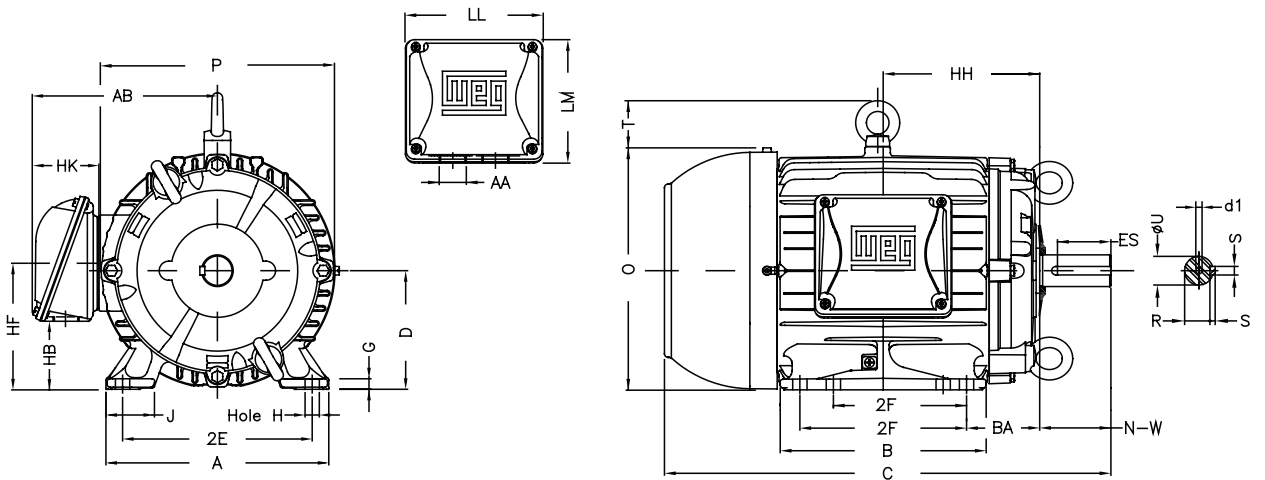
Frame	G	HB	O	HD	HF	HH	HK	Hole H	C	LL	LM	S	AA	T	DE	NDE
143T	0.354	1.787	7.122		3.5	4.25	2.638	0.344	12.346	4.528	4.094	0.187	NPT 3/4"		6205 2RS	6204 2RS
143/5T	0.354	1.787	7.122		3.5	4.75	2.638	0.344	13.358	4.528	4.094	0.187	NPT 3/4"		6205 2RS	6204 2RS
145T	0.354	1.787	7.122		3.5	4.75	2.638	0.344	13.358	4.528	4.094	0.187	NPT 3/4"		6205 2RS	6204 2RS
182T	0.394	2.236	9.343	11.115	4.5	5	3.15	0.406	14.86	5.512	5.236	0.25	NPT 1"	1.772	6207 2RS	6206 2RS
182/4T	0.394	2.236	9.343	11.115	4.5	5.5	3.15	0.406	15.86	5.512	5.236	0.25	NPT 1"	1.772	6207 2RS	6206 2RS
213T	0.669	2.985	10.508	12.613	5.25	6.25	3.15	0.406	18.021	5.512	5.236	0.313	NPT 1"	2.105	6308 2RS	6207 2RS
213/5T	0.669	2.985	10.508	12.613	5.25	7	3.15	0.406	19.517	5.512	5.236	0.313	NPT 1"	2.105	6308 2RS	6207 2RS
215T	0.669	2.985	10.508	12.613	5.25	7	3.15	0.406	19.517	5.512	5.236	0.313	NPT 1"	2.105	6308 2RS	6207 2RS
254T	0.827	3.061	12.598	14.685	6.565	8.376	3.976	0.531	23.213	7.815	7.48	0.375	NPT 1 1/2"	2.087	6309 2RS-C3	6209 2RS-C3
254/6T	0.827	3.061	12.598	14.685	6.565	9.25	3.976	0.531	24.945	7.815	7.48	0.375	NPT 1 1/2"	2.087	6309 2RS-C3	6209 2RS-C3
256T	0.827	3.061	12.598	14.685	6.565	9.25	3.976	0.531	24.945	7.815	7.48	0.375	NPT 1 1/2"	2.087	6309 2RS-C3	6209 2RS-C3
284TS	1.023	3.535	14.067	16.154	7	9.5	3.976	0.531	25.061	7.815	7.48	0.375	NPT 1 1/2"	2.087	6311 2RS-C3	6211 2RS-C3
284T	1.023	3.535	14.067	16.154	7	9.5	3.976	0.531	26.433	7.815	7.48	0.5	NPT 1 1/2"	2.087	6311 2RS-C3	6211 2RS-C3
284/6T	1.023	3.535	14.067	16.154	7	10.25	3.976	0.531	27.929	7.815	7.48	0.5	NPT 1 1/2"	2.087	6311 2RS-C3	6211 2RS-C3
324T	1.3	4.811	15.953	18.394	8.708	10.5	4.705	0.657	29.62	9.055	8.661	0.5	NPT 2"	2.441	6312 2RS-C3	6212 2RS-C3
324/6TS	1.3	4.811	15.953	18.394	8.708	11.25	4.705	0.657	29.616	9.055	8.661	0.5	NPT 2"	2.441	6312 2RS-C3	6212 2RS-C3
324/6T	1.3	4.811	15.953	18.394	8.708	11.25	4.705	0.657	31.116	9.055	8.661	0.5	NPT 2"	2.441	6312 2RS-C3	6212 2RS-C3
326T	1.3	4.811	15.953	18.394	8.708	11.25	4.705	0.657	31.116	9.055	8.661	0.5	NPT 2"	2.441	6312 2RS-C3	6212 2RS-C3
364/5T	1.48	4.251	17.957	21.535		11.988	6.024	0.66	34.251	10.591	11.267	0.625	NPT 3"	3.578	6314 2RS-C3	6314 2RS-C3
404/5T	1.811	5.252	19.566	23.11		13.496	6.024	0.81	39.73	10.591	11.267	0.75	NPT 3"	3.544	6316 2RS-C3	6314 2RS-C3
444/5T	1.63	5.687	22.795			15.748	5.97	0.81	44.95	12.362	12.283	0.875	2xNPT 3"		6319 C3	6316 C3

## Cooling Tower Motors - Three Phase - TEFC - *continued*

Frames 143 to 213/5

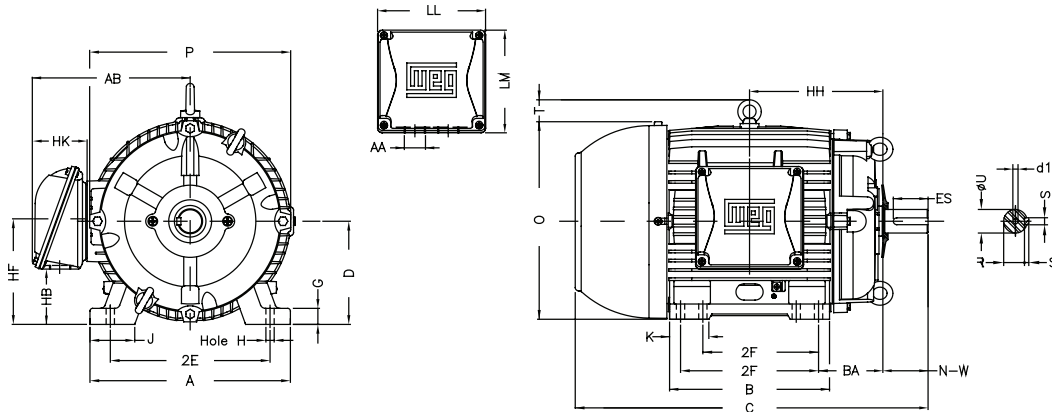


Frames 182 to 213/5

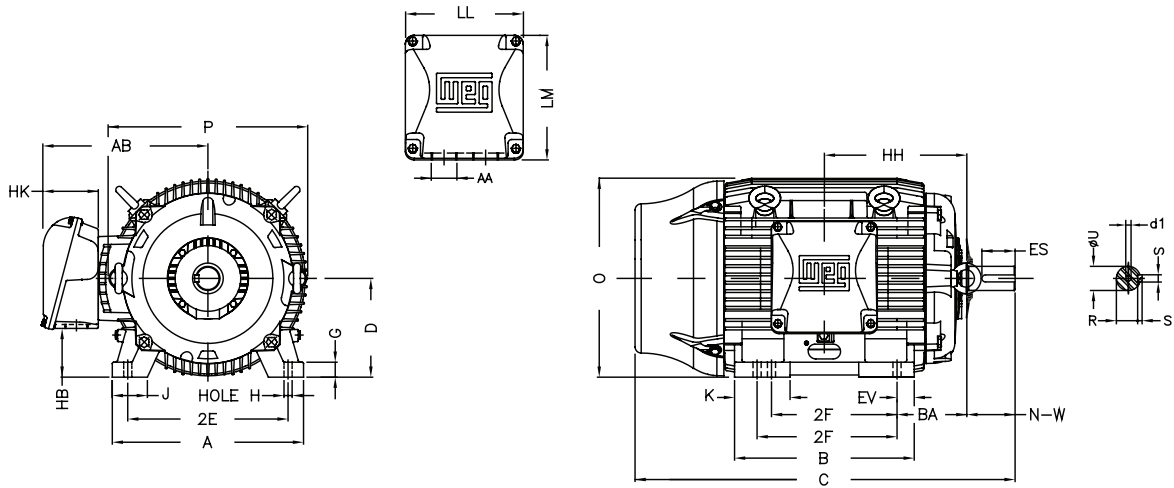


## Cooling Tower Motors - Three Phase - TEFC - *continued*

Frames 254 to 326



Frames 364/5 to 445/7



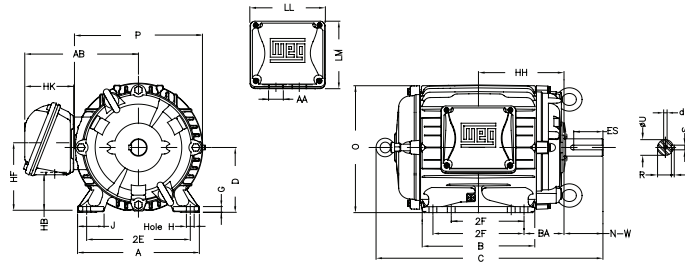
## Cooling Tower Motors - Three Phase - TEAO

Frame	2E	J	A	P	AB	AH	2F	B	BA	CH	U	N-W	Key Length	R	D
143T	5.5	1.437	6.457	6.85	6.26	2.125	4	5.157	2.25	0.708	0.875	2.25	1.575	0.771	3.5
143/5T	5.5	1.437	6.457	6.85	6.26	2.125	4.000/5.000	6.142	2.25	0.708	0.875	2.25	1.575	0.771	3.5
145T	5.5	1.437	6.457	6.85	6.26	2.125	5	6.142	2.25	0.708	0.875	2.25	1.575	0.771	3.5
182T	7.5	1.614	8.661	8.504	7.565	2.625	4.5	5.945	2.75	1.22	1.125	2.75	1.969	0.984	4.5
182/4T	7.5	1.614	8.661	8.504	7.565	2.625	4.500/5.500	6.969	2.75	1.22	1.125	2.75	1.969	0.984	4.5
213T	8.5	1.779	9.764	10.669	8.667	3.125	5.5	7.362	3.5	1.22	1.375	3.375	2.48	1.203	5.25
213/5T	8.5	1.779	9.764	10.669	8.667	3.125	5.500/7.000	8.858	3.5	1.22	1.375	3.375	2.48	1.203	5.25
215T	8.5	1.779	9.764	10.669	8.667	3.125	7	8.858	3.5	1.22	1.375	3.375	2.48	1.203	5.25
254T	10	2.539	12.126	12.48	10.483	3.75	8.252	10	4.25	1.85	1.625	4	2.756	1.416	6.25
254/6T	10	2.539	12.126	12.48	10.483	3.75	8.252/10.000	11.732	4.25	1.85	1.625	4	2.756	1.416	6.25
256T	10	2.539	12.126	12.48	10.483	3.75	10	11.732	4.25	1.85	1.625	4	2.756	1.416	6.25
284T	11	3.11	13.78	13.78	11.073	4.375	9.5	11.575	4.75	2.244	1.875	4.622	3.149	1.594	7
284TS	11	3.11	13.78	13.78	11.073	3	9.5	11.575	4.75	2.244	1.625	3.25	2.48	1.416	7
284/6T	11	3.11	13.78	13.78	11.073	4.375	9.500/11.000	13.071	4.75	2.244	1.875	4.622	3.149	1.594	7
324T	12.5	3.189	15.157	14.961	12.575	5	10.5	13.071	5.25	2.638	2.125	5.25	3.937	1.844	8
324/6T	12.5	3.189	15.157	14.961	12.575	5	10.500/12.000	14.567	5.25	2.638	2.125	5.25	3.937	1.844	8
326T	12.5	3.189	15.157	14.961	12.575	5	12	14.567	5.25	2.638	2.125	5.25	3.937	1.844	8
364/5T	14.016	3.15	17.165	17.914	16.016	5.625	11.260/12.244	15.512	5.875	3.189	2.375	5.874	4.33	2.019	9

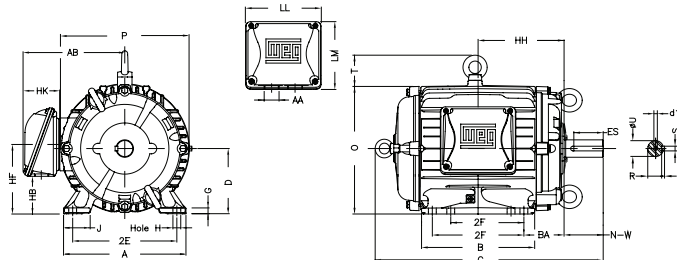
Frame	G	HB	O	HF	HH	HK	Hole H	C	LL	LM	S	AA	T	DE	NDE
143T	0.354	1.787	7.122	3.5	4.25	2.638	0.344	12.353	4.528	4.094	0.187	NPT 3/4"		6205 2RS	6204 2RS
143/5T	0.354	1.787	7.122	3.5	4.75	2.638	0.344	13.338	4.528	4.094	0.187	NPT 3/4"		6205 2RS	6204 2RS
145T	0.354	1.787	7.122	3.5	4.75	2.638	0.344	13.338	4.528	4.094	0.187	NPT 3/4"		6205 2RS	6204 2RS
182T	0.394	2.236	9.343	4.5	5	3.15	0.406	14.298	5.512	5.236	0.25	NPT 1"	1.772	6207 2RS	6206 2RS
182/4T	0.394	2.236	9.343	4.5	5.5	3.15	0.406	15.298	5.512	5.236	0.25	NPT 1"	1.772	6207 2RS	6206 2RS
213T	0.669	2.985	10.508	5.25	6.25	3.15	0.406	17.239	5.512	5.236	0.313	NPT 1"	2.105	6308 2RS	6207 2RS
213/5T	0.669	2.985	10.508	5.25	7	3.15	0.406	18.739	5.512	5.236	0.313	NPT 1"	2.105	6308 2RS	6207 2RS
215T	0.669	2.985	10.508	5.25	7	3.15	0.406	18.739	5.512	5.236	0.313	NPT 1"	2.105	6308 2RS	6207 2RS
254T	0.827	3.061	12.598	6.565	8.376	3.976	0.531	21.594	7.815	7.48	0.375	NPT 1 1/2"	2.087	6309 2RS-C3	6209 2RS-C3
254/6T	0.827	3.061	12.598	6.565	9.25	3.976	0.531	23.343	7.815	7.48	0.375	NPT 1 1/2"	2.087	6309 2RS-C3	6209 2RS-C3
256T	0.827	3.061	12.598	6.565	9.25	3.976	0.531	23.343	7.815	7.48	0.375	NPT 1 1/2"	2.087	6309 2RS-C3	6209 2RS-C3
284T	1.023	3.535	14.067	7	9.5	3.976	0.531	25.418	7.815	7.48	0.5	NPT 1 1/2"	2.087	6311 2RS-C3	6211 2RS-C3
284/6T	1.023	3.535	14.067	7	10.25	3.976	0.531	26.918	7.815	7.48	0.5	NPT 1 1/2"	2.087	6311 2RS-C3	6211 2RS-C3
324T	1.3	4.811	15.953	8.708	10.5	4.705	0.657	28.575	9.055	8.661	0.5	NPT 2"	2.441	6312 2RS-C3	6212 2RS-C3
324/6T	1.3	4.811	15.953	8.708	11.25	4.705	0.657	30.071	9.055	8.661	0.5	NPT 2"	2.441		
326T	1.3	4.811	15.953	8.708	11.25	4.705	0.657	30.071	9.055	8.661	0.5	NPT 2"	2.441	6312 2RS-C3	6212 2RS-C3
364/5T	1.48	4.251	17.957		11.988	6.024	0.66	29.39	10.591	11.267	0.625	NPT 3"	3.578	6314 2RS-C3	6314 2RS-C3

Cooling Tower Motors - Three Phase - TEAO - *continued*

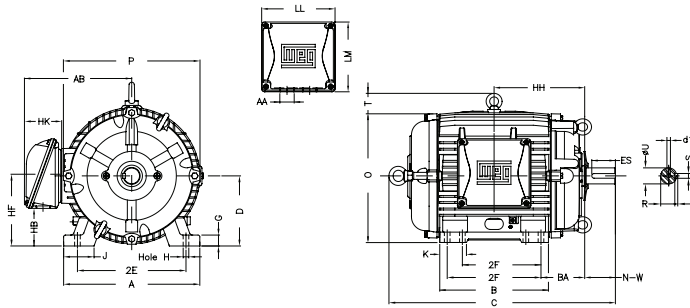
Frame 143 to 145



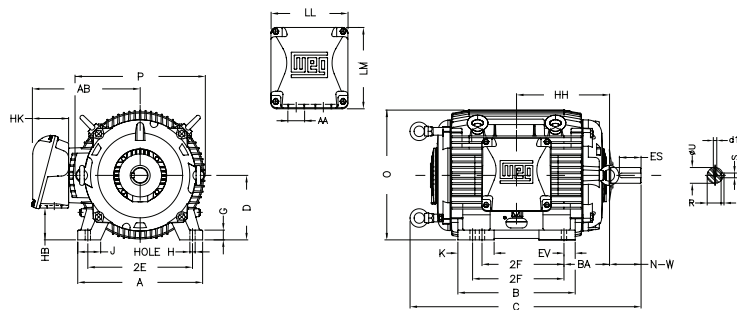
Frame 182 to 213/5



Frames 254 to 326



Frames 364 to 445/7







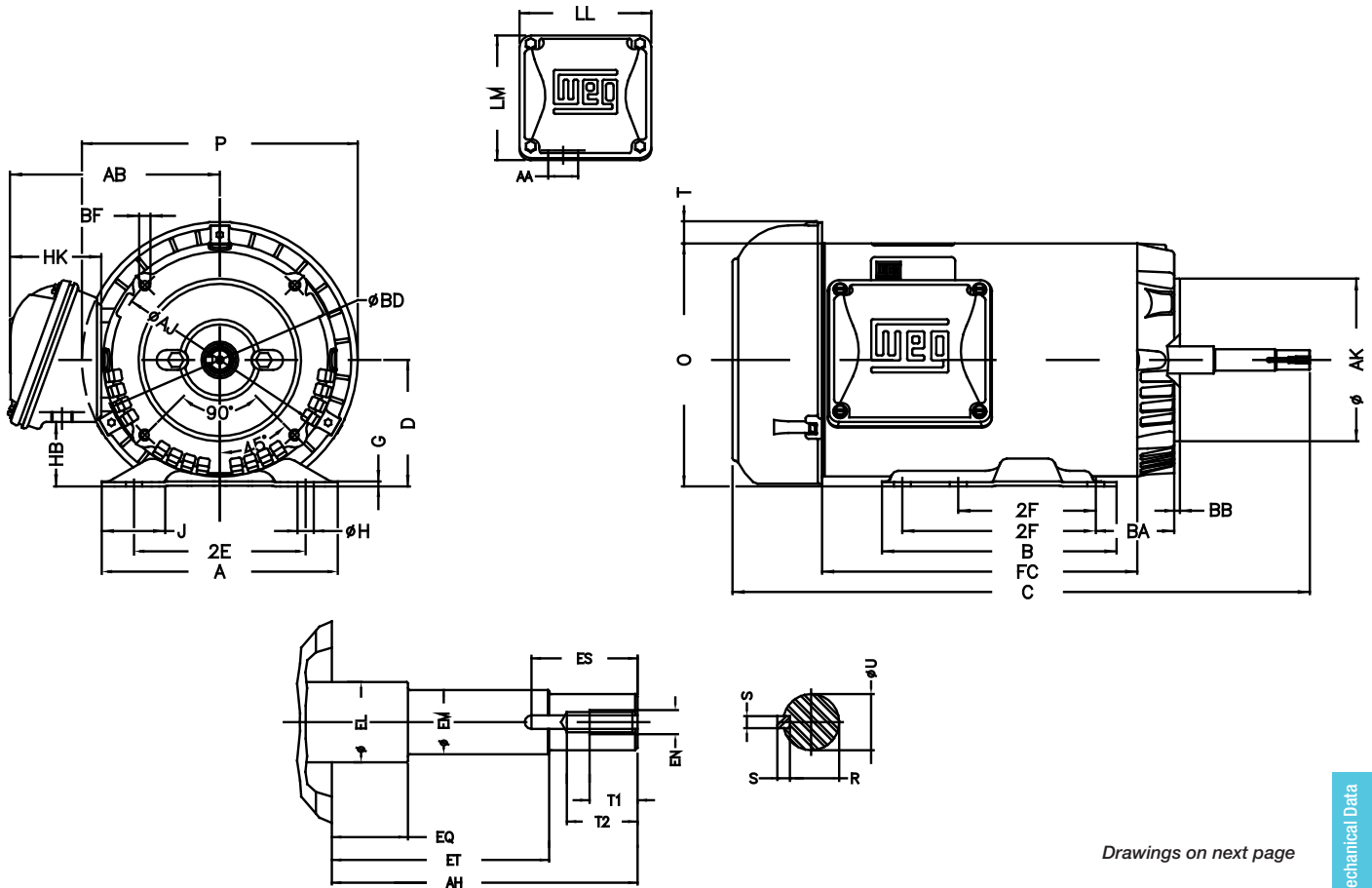
## CCP - JM - Three Phase - TEFC - Rolled Steel

Frame	2E	J	A	P	AB	AH	2F	B	BA	C	CH	U	EL	EM	EP	EQ
143/5JM	5.5	1.732	6.535	7.638	5.873	4.267	4.000/5.000	6.496	2.75		1.377	0.875	1.156	1	1.179	0.63
182/4JM	7.5	1.299	8.661	9.435	6.696	4.258	4.500/5.500	6.299	3.5		1.377	0.875	1.25	1	1.376	0.63
213/5JM	8.5	1.575	9.449	10.965	7.973	4.258	5.500/7.000	7.953	4.25		1.929	0.875	1.25	1	1.769	0.63
254/6JM	10	1.693	11.417	13.18	9.448	5.25	8.252/10.000	11.417	4.75		1.929	1.249	1.75	1.375	1.769	0.63

Frame	Key Length	ET	R	D	G	HB	O	HD	HK	Hole H	LL	LM	S	AA	T	DE	NDE
143/5JM	1.575	2.88	0.771	3.5	0.12	1.784	6.724	7.327	2.629	0.343	4.563	4.09	0.187	1.118"	0.603	6206 ZZ	6203 ZZ
182/4JM	1.575	2.88	0.771	4.5	0.167	2.784	8.557	9.218	2.629	0.406	4.563	4.09	0.187	1.118"	0.661	6207 ZZ	6205 ZZ
213/5JM	1.575	2.88	0.771	5.25	0.167	2.982	10.144	10.905	3.022	0.406	5.551	5.25	0.187	1.377"	0.761	6209 ZZ	6206 ZZ
254/6JM	2.559	3.006	1.11	6.25	0.187	3.631	12.01	12.84	3.645	0.53	6.299	6.017	0.25	1.732"	0.83	6309 Z-C3	6208 Z-C3

Frame	Type	Flange	Size	AJ	AK	BD	S	T	AH	Angle	BF Number
143/5JM	C	C	FC-149	5.874	4.5	6.45	UNC 3/8"x16	0.157	4.267	45°	4
182/4JM	C	C	FC-149	5.874	4.5	6.496	UNC 3/8"x16	0.157	4.258	45°	4
213/5JM	C	C	FC-184	7.25	8.5	9.401	UNC 1/2"x13	0.25	4.258	45°	4
254/6JM	C	C	FC-184	7.25	8.5	11.084	UNC 1/2"x13	0.25	5.25	45°	4

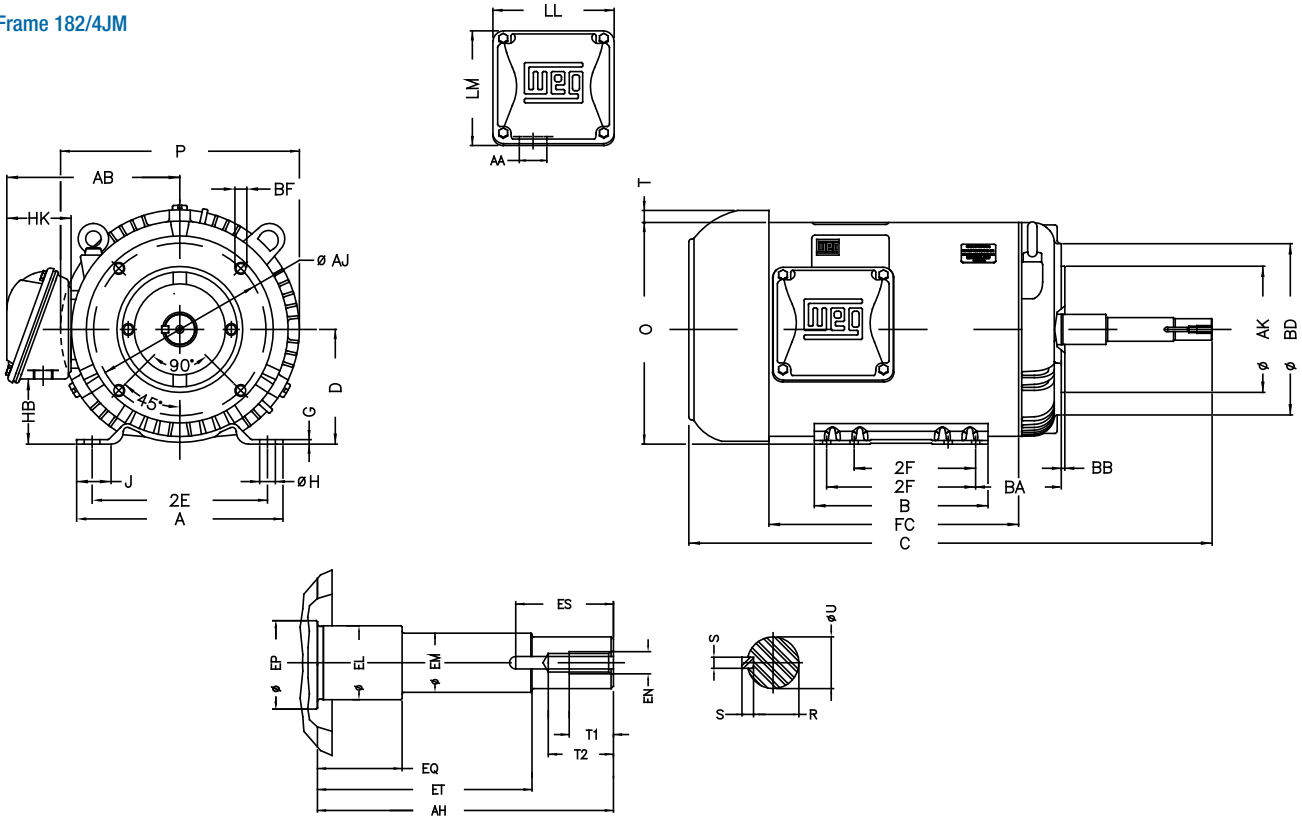
Frame 143/5JM



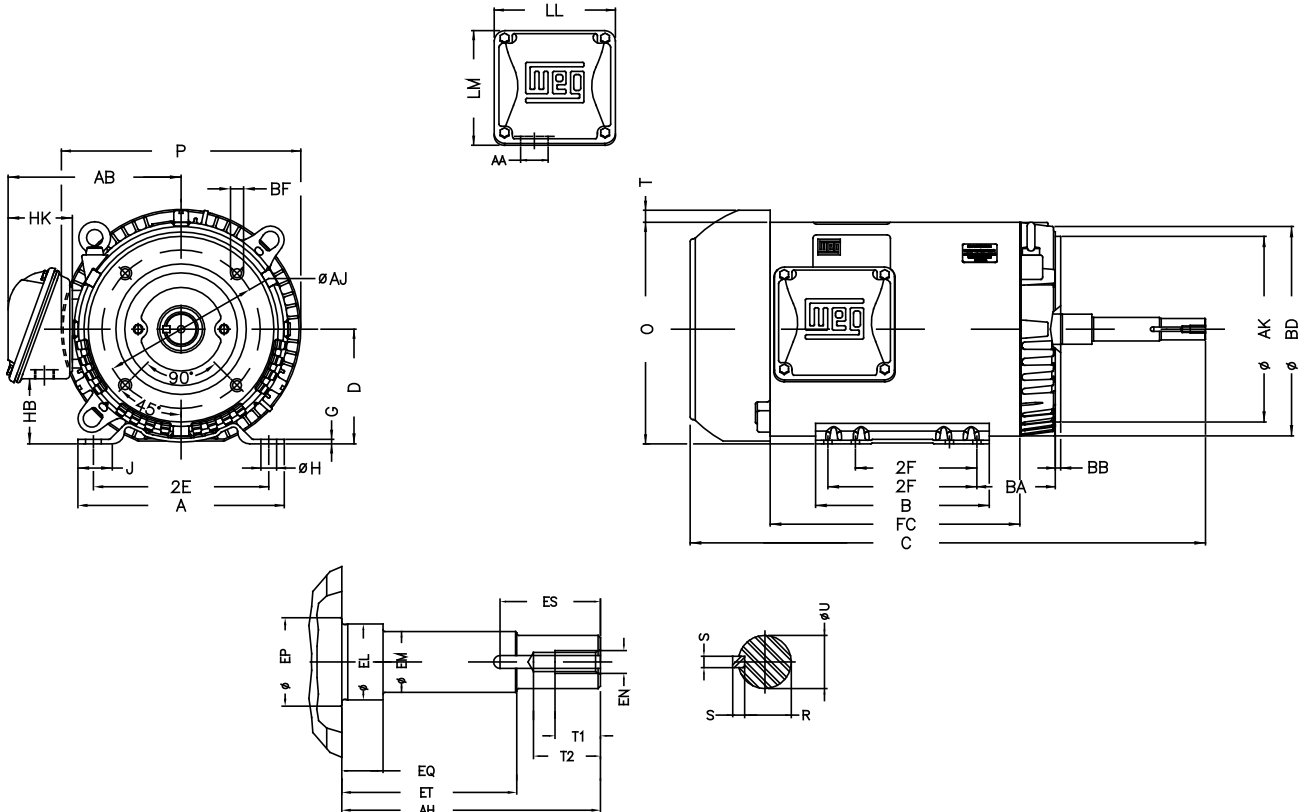
Drawings on next page

## CCP - JM - Three Phase - TEFC - Rolled Steel - *continued*

Frame 182/4JM



Frames 213/5JM to 254/6JM





CCP - JM - Three Phase - TEFC - Cast Iron

Frame	2E	J	A	P	AB	AH	2F	B	BA	CH	U	d1	EL	EM	EP
143JM	5.5	1.437	6.457	7.047	6.26	4.258	4	5.157	2.56	0.719	0.874	EUNC 3/8"-16	1.156	1	1.179
143/5JM	5.5	1.437	6.457	7.047	6.26	4.258	4.000/5.000	6.142	2.56	0.719	0.874	EUNC 3/8"-16	1.156	1	1.179
145JM	5.5	1.437	6.457	7.047	6.26	4.258	5	6.142	2.56	0.719	0.874	EUNC 3/8"-16	1.156	1	1.179
182JM	7.5	1.614	8.661	8.74	7.565	4.258	4.5	5.945	2.75	1.337	0.874	EUNC 3/8"-16	1.25	1	1.376
184JM	7.5	1.614	8.661	8.74	7.565	4.258	5.5	6.969	2.75	1.337	0.874	EUNC 3/8"-16	1.25	1	1.376
182/4JM	7.5	1.614	8.661	8.74	7.565	4.258	4.500/5.500	6.969	2.75	1.337	0.874	EUNC 3/8"-16	1.25	1	1.376
213JM	8.5	1.779	9.764	10.669	8.606	4.258	5.5	7.362	3.5	1.22	0.874	EUNC 3/8"-16	1.25	1	1.77
213/5JM	8.5	1.779	9.764	10.669	8.606	4.258	5.500/7.000	8.858	3.5	1.22	0.874	EUNC 3/8"-16	1.25	1	1.77
215JM	8.5	1.779	9.764	10.669	8.606	4.258	7	8.858	3.5	1.22	0.874	EUNC 3/8"-16	1.25	1	1.77
254JM	10	2.539	12.126	12.953	10.483	5.25	8.252	10	4.25	1.85	1.249	EUNC 1/2"-13	1.75	1.375	1.75
254JM	10	2.539	12.126	12.953	10.483	5.25	8.252	10	4.25	1.85	1.249	EUNC 1/2"-13	1.75	1.375	1.75
256JM	10	2.539	12.126	12.953	10.483	5.25	10	11.732	4.25	1.85	1.249	EUNC 1/2"-13	1.75	1.375	1.75
254/6JM	10	2.539	12.126	12.953	10.483	5.25	8.252/10.000	11.732	4.25	1.85	1.249	EUNC 1/2"-13	1.75	1.375	1.75
284JM	11	3.11	13.78	14.173	11.073	5.25	9.5	11.575	4.75	2.244	1.249	EUNC 1/2"-13	1.75	1.375	2.163
284/6JM	11	3.11	13.78	14.173	11.073	5.25	9.500/11.000	13.071	4.75	2.244	1.249	EUNC 1/2"-13	1.75	1.375	2.163
286JM	11	3.11	13.78	14.173	11.073	5.25	11	13.071	4.75	2.244	1.249	EUNC 1/2"-13	1.75	1.375	2.163
324JM	12.5	3.189	15.157	15.827	12.575	5.25	10.5	13.071	5.25	2.638	1.249	EUNC 1/2"-13	1.75	1.375	2.36
324/6JM	12.5	3.189	15.157	15.827	12.575	5.25	10.500/12.000	14.567	5.25	2.638	1.249	EUNC 1/2"-13	1.75	1.375	2.36
326JM	12.5	3.189	15.157	15.827	12.575	5.25	12	14.567	5.25	2.638	1.249	EUNC 1/2"-13	1.75	1.375	2.36
364/5JM	14.016	3.15	17.165	17.914	16.016	5.25	11.260/12.244	15.512	5.875	3.189	1.249	EUNC 1/2"-13	1.75	1.375	2.756

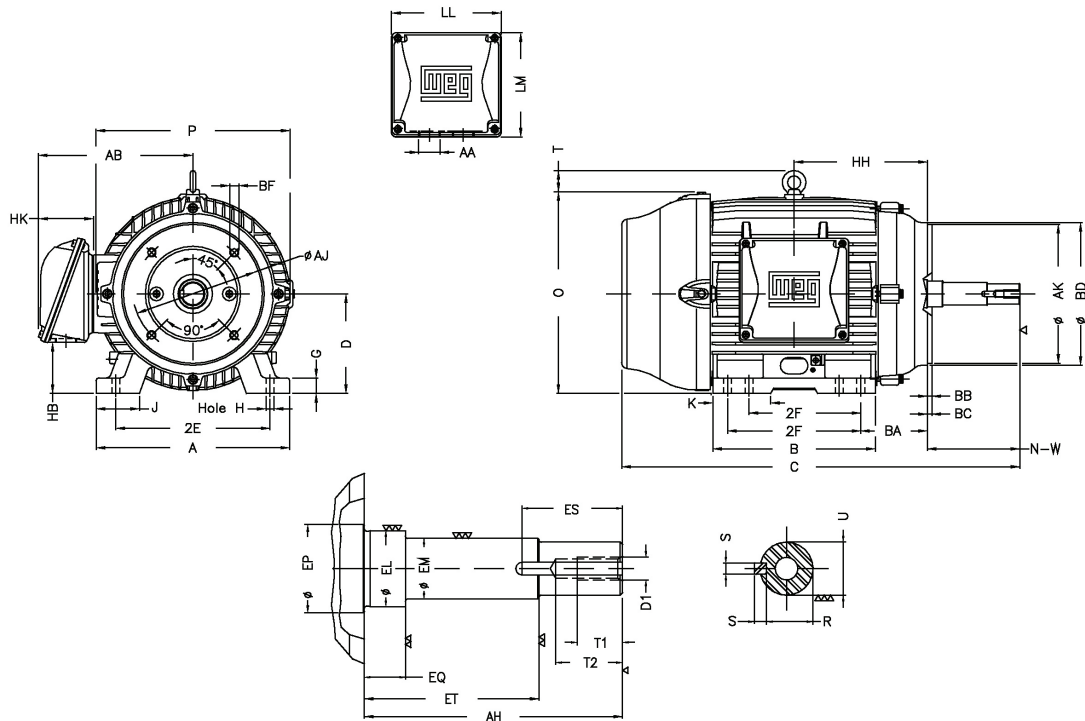
Frame	EQ	ET	R	D	HB	O	HH	HK	Hole H	C	LL	LM	S	T	DE	NDE
143JM	0.63	2.88	0.768	3.5	1.787	7.122	4.25	2.638	0.344	14.691	4.528	4.094	0.187		6206 ZZ	6204 ZZ
143/5JM	0.63	2.88	0.767	3.5	1.787	7.122	4.75	2.638	0.344	15.675	4.528	4.094	0.187		6206 ZZ	6204 ZZ
145JM	0.63	2.88	0.767	3.5	1.787	7.122	4.75	2.638	0.344	15.675	4.528	4.094	0.187		6206 ZZ	6204 ZZ
182JM	0.63	2.88	0.768	4.5	2.236	9.343	5	3.15	0.406	16.412	5.512	5.236	0.187	1.772	6307 ZZ	6206 ZZ
184JM	0.63	2.88	0.768	4.5	2.236	9.343	5.5	3.15	0.406	17.411	5.512	5.236	0.187	1.772	6307 ZZ	6206 ZZ
182/4JM	0.63	2.88	0.768	4.5	2.236	9.343	5.5	3.15	0.406	17.411	5.512	5.236	0.187	1.772	6307 ZZ	6206 ZZ
213JM	0.63	2.88	0.768	5.25	2.985	10.508	6.25	3.15	0.406	18.852	5.512	5.236	0.187	2.105	6309 Z-C3	6207 ZZ
213/5JM	0.63	2.88	0.768	5.25	2.985	10.508	7	3.15	0.406	20.392	5.512	5.236	0.187	2.105	6309 Z-C3	6207 ZZ
215JM	0.63	2.88	0.768	5.25	2.985	10.508	7	3.15	0.406	20.392	5.512	5.236	0.187	2.105	6309 Z-C3	6207 ZZ
254JM	0.63	3.006	1.11	6.25	3.061	12.598	8.376	3.976	0.531	24.478	7.815	7.48	0.25	2.087	6309 C3	6209 C3
254JM	0.63	3.006	1.11	6.25	3.061	12.598	8.376	3.976	0.531	24.478	7.815	7.48	0.25	2.087	6309 C3	6209 C3
256JM	0.63	3.006	1.11	6.25	3.061	12.598	9.25	3.976	0.531	26.226	7.815	7.48	0.25	2.087	6309 C3	6209 C3
254/6JM	0.63	3.006	1.11	6.25	3.061	12.598	9.25	3.976	0.531	26.226	7.815	7.48	0.25	2.087	6309 C3	6209 C3
284JM	0.63	3.006	1.11	7	3.535	14.067	9.5	3.976	0.531	27.165	7.815	7.48	0.25	2.087	6311 C3	6211 C3
284/6JM	0.63	3.006	1.11	7	3.535	14.067	10.25	3.976	0.531	28.7	7.815	7.48	0.25	2.087	6311 C3	6211 C3
286JM	0.63	3.006	1.11	7	3.535	14.067	10.25	3.976	0.531	28.7	7.815	7.48	0.25	2.087	6311 C3	6211 C3
324JM	0.63	3.006	1.11	8	4.811	15.953	10.5	4.705	0.657	28.149	9.055	8.661	0.25	2.441	6312 C3	6212 C3
324/6JM	0.63	3.006	1.11	8	4.811	15.953	11.25	4.705	0.657	29.645	9.055	8.661	0.25	2.441	6312 C3	6212 C3
326JM	0.63	3.006	1.11	8	4.811	15.953	11.25	4.705	0.657	29.645	9.055	8.661	0.25	2.441	6312 C3	6212 C3
364/5JM	0.63	3.006	1.11	9	4.251	17.716	11.988	6.024	0.66	33.832	10.591	11.267	0.25	3.819	6314 C3	6314 C3

continued on next page

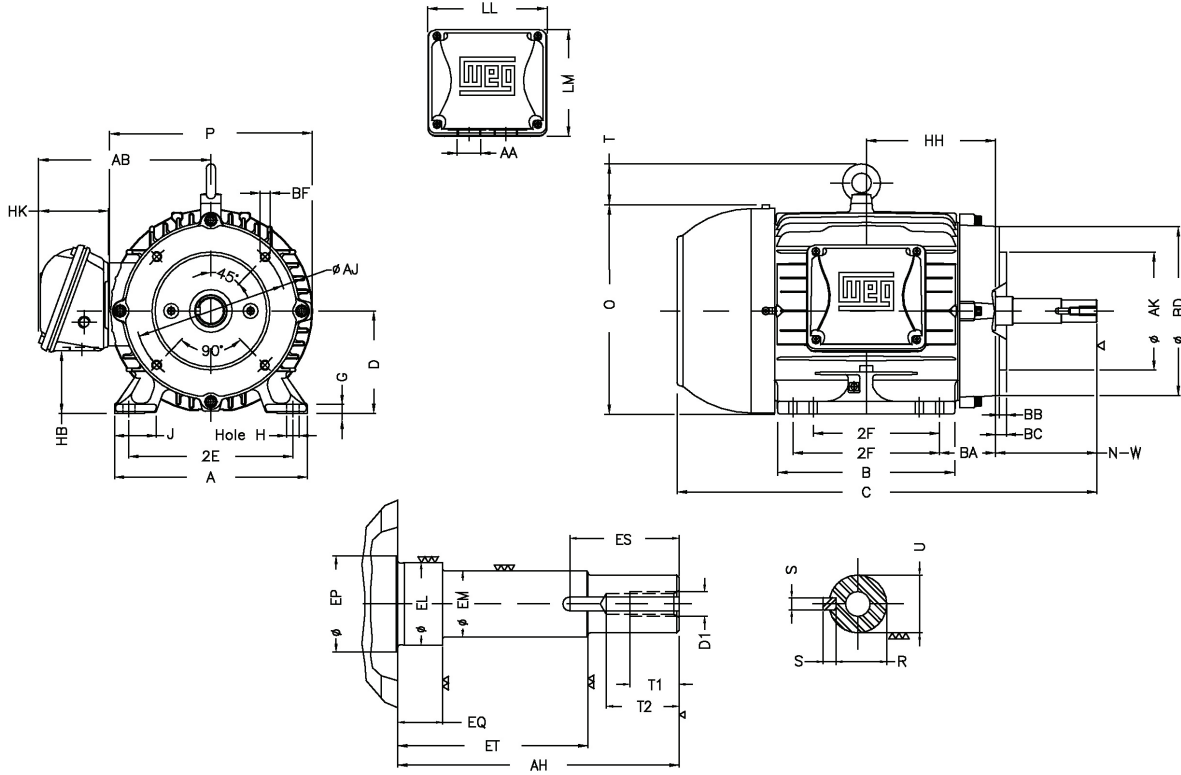
## CCP - JM - Three Phase - TEFC - Cast Iron - *continued*

Frame	Type	Flange	Size	AJ	AK	BD	S	T	AH	Angle	BF Number
143JM	C	C	FC-149	5.874	4.5	6.496	UNC 3/8"x16	0.157	4.258	45°	4
145JM	C	C	FC-149	5.874	4.5	6.496	UNC 3/8"x16	0.157	4.258	45°	4
143/5JM	C	C	FC-149	5.874	4.5	6.496	UNC 3/8"x16	0.157	4.258	45°	4
182JM	C	C	FC-149	5.874	4.5	6.496	UNC 3/8"x16	0.157	4.258	45°	4
184JM	C	C	FC-149	5.874	4.5	6.496	UNC 3/8"x16	0.157	4.258	45°	4
182/4JM	C	C	FC-149	5.874	4.5	6.496	UNC 3/8"x16	0.157	4.258	45°	4
213JM	C	C	FC-184	7.252	8.5	8.858	UNC 1/2"x13	0.248	4.258	45°	4
213/5JM	C	C	FC-184	7.252	8.5	8.858	UNC 1/2"x13	0.248	4.258	45°	4
215JM	C	C	FC-184	7.252	8.5	8.858	UNC 1/2"x13	0.248	4.258	45°	4
254JM	C	C	FC-184	7.252	8.5	8.858	UNC 1/2"x13	0.248	5.25	45°	4
256JM	C	C	FC-184	7.252	8.5	8.858	UNC 1/2"x13	0.248	5.25	45°	4
254/6JM	C	C	FC-184	7.252	8.5	8.858	UNC 1/2"x13	0.248	5.25	45°	4
284JM	C	C	FC-279	11	12.5	13.593	UNC 5/8"x11	0.248	5.25	45°	4
286JM	C	C	FC-279	11	12.5	13.593	UNC 5/8"x11	0.248	5.25	45°	4
284/6JM	C	C	FC-279	11	12.5	13.593	UNC 5/8"x11	0.248	5.25	45°	4
324JM	C	C	FC-279	11	12.5	13.593	UNC 5/8"x11	0.248	5.25	45°	4
326JM	C	C	FC-279	11	12.5	13.593	UNC 5/8"x11	0.248	5.25	45°	4
324/6JM	C	C	FC-279	11	12.5	13.593	UNC 5/8"x11	0.248	5.25	45°	4
364/5JM	C	C	FC-279	11	12.5	15.562	UNC 5/8"x11	0.248	5.25	45°	8

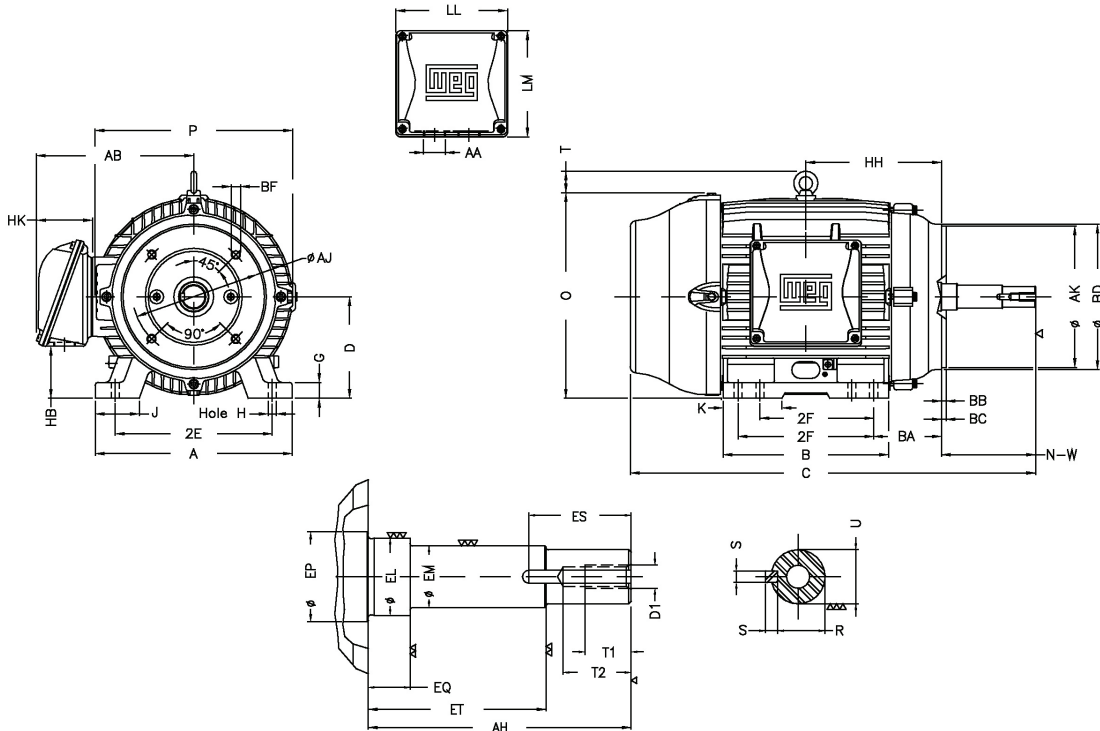
### Frames 143JM to 215JM



## Frames 254JM to 326JM



## Frame 364/5JM



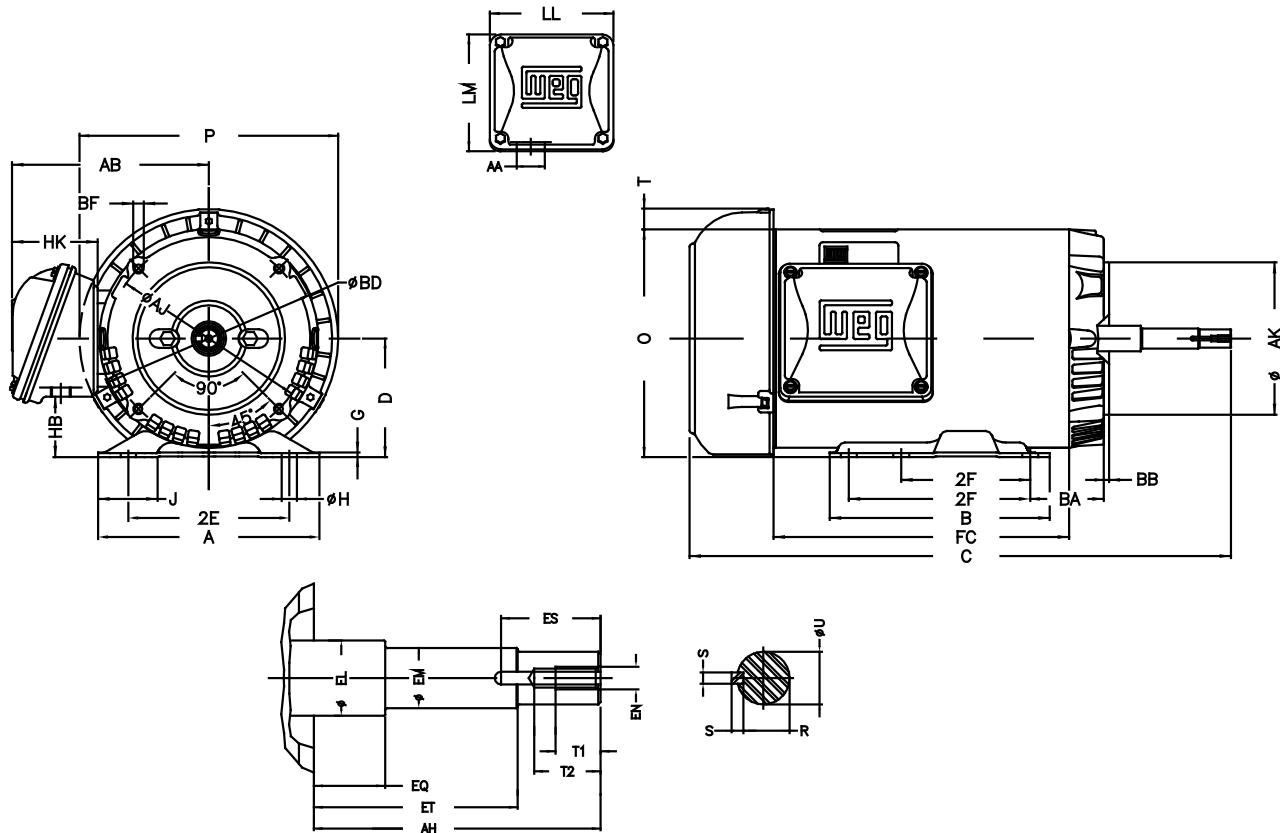
## CCP - JP - Three Phase - TEFC - Rolled Steel

Frame	2E	J	A	P	AB	AH	2F	B	BA	CH	U	d1	EL	EM	EP
143/5JP	5.5	1.732	6.535	7.638	5.873	7.319	4.000/5.000	6.496	2.75	1.377	0.875	EUNC 3/8"-16	1.156	1	1.179
182/4JP	7.5	1.299	8.661	9.435	6.696	7.319	4.500/5.500	6.299	3.5	1.377	0.875	EUNC 3/8"-16	1.25	1	1.376
213/5JP	8.5	1.575	9.449	10.965	7.973	8.13	5.500/7.000	7.953	4.25	1.929	1.25	EUNC 1/2"-13	1.75	1.375	1.769
254/6JP	10	1.693	11.417	13.18	9.448	8.13	8.252/10.000	11.417	4.75	1.929	1.249	EUNC 1/2"-13	1.75	1.375	1.769

Frame	Key Length	ET	Width	R	D	G	HB	O	HK	Hole H	LL	LM	S	AA	T	DE	NDE
143/5JP	1.654	5.941	0.187	0.771	3.5	0.12	1.784	6.724	2.629	0.343	4.563	4.09	0.187	1.118"	0.603	6206 ZZ	6203 ZZ
182/4JP	1.654	5.941	0.187	0.771	4.5	0.167	2.784	8.557	2.629	0.406	4.563	4.09	0.187	1.118"	0.661	6207 ZZ	6205 ZZ
213/5JP	2.56	5.886	0.25	1.11	5.25	0.167	2.982	10.144	3.022	0.406	5.551	5.25	0.25	1.377"	0.761	6209 ZZ	6206 ZZ
254/6JP	2.559	5.886	0.25	1.11	6.25	0.187	3.631	12.01	3.645	0.53	6.299	6.017	0.25	1.732"	0.83	6309 Z-C3	6208 Z-C3

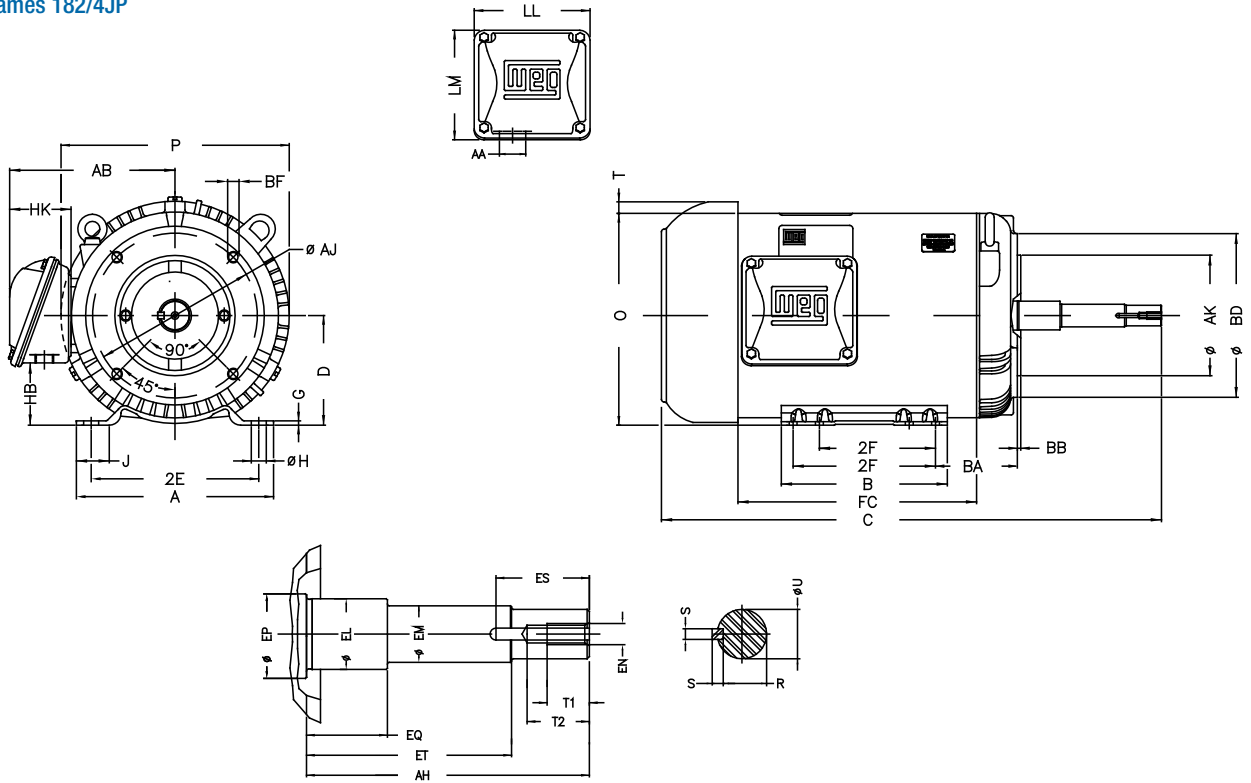
Frame	Type	Flange	Size	BB	AJ	AK	BD	S	T	AH	Angle	BF Number
143/5JP	C	C	FC-149	0.157	5.874	4.5	6.45	UNC 3/8"x16	0.157	7.319	45°	4
182/4JP	C	C	FC-149	0.157	5.874	4.5	6.496	UNC 3/8"x16	0.138	7.319	45°	4
213/5JP	C	C	FC-184	0.25	7.25	8.5	9.401	UNC 1/2"x13	0.25	8.13	45°	4
254/6JP	C	C	FC-184	0.25	7.25	8.5	11.084	UNC 1/2"x13	0.25	8.13	45°	4

### Frames 143/5JP

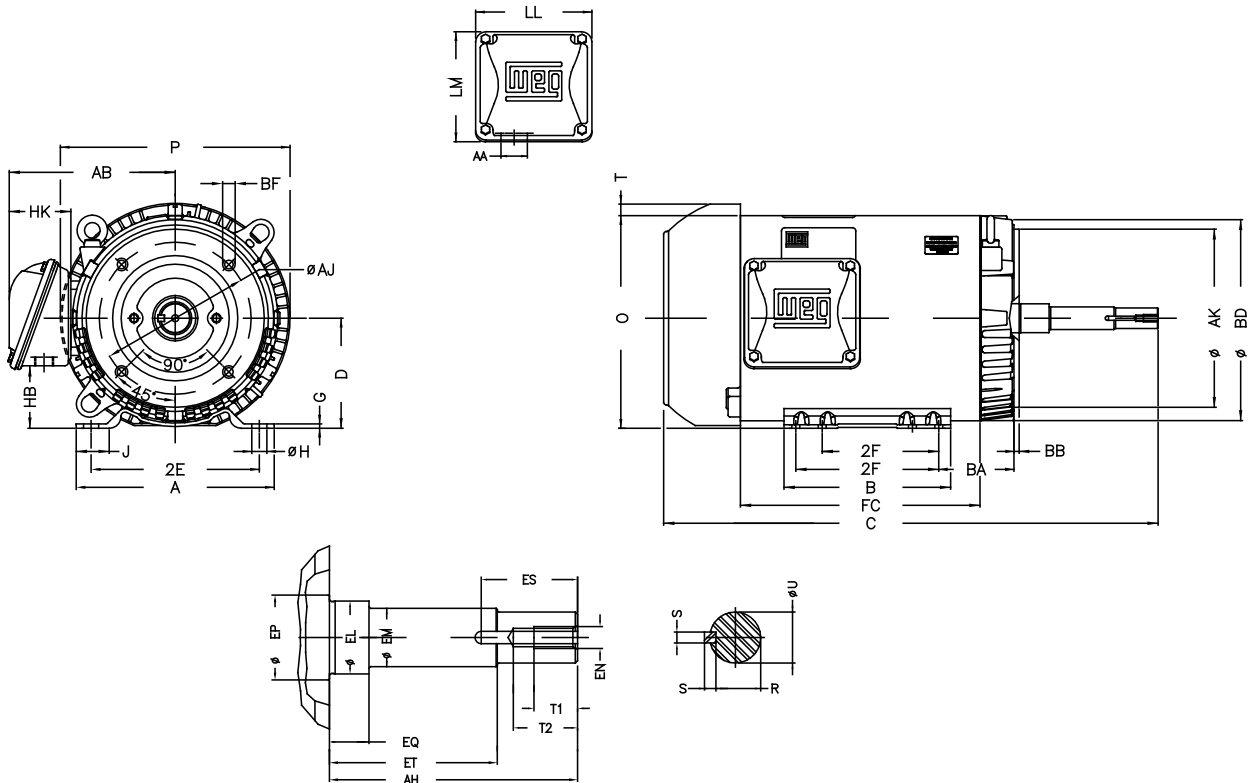


CCP - JP - Three Phase - TEFC - Rolled Steel - *continued*

Frames 182/4JP



Frames 213-254/6JP





## CCP - JP - Three Phase - TEFC - Cast Iron

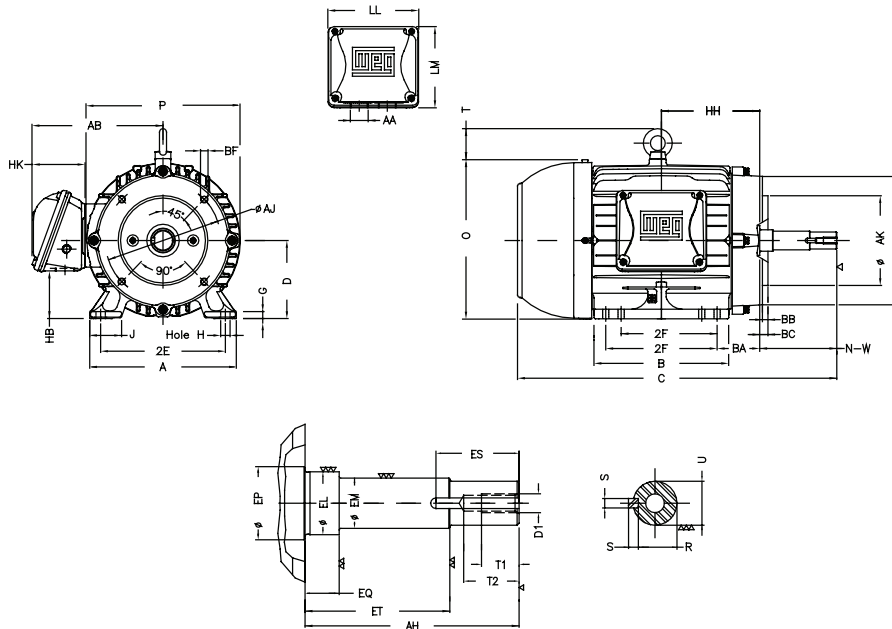
Frame	2E	J	A	P	AB	AH	2F	B	BA	CH	U	EL	EM	EP	EQ	Key Length
143JP	5.5	1.437	6.457	7.047	6.26	7.319	4	5.157	2.56	0.719	0.874	1.156	1	1.179	1.563	1.654
143/5JP	5.5	1.437	6.457	7.047	6.26	7.319	4.000/5.000	6.142	2.56	0.719	0.874	1.156	1	1.179	1.563	1.654
145JP	5.5	1.437	6.457	7.047	6.26	7.319	5	6.142	2.56	0.719	0.874	1.156	1	1.179	1.563	1.654
182JP	7.5	1.614	8.661	8.74	7.565	7.319	4.5	5.945	2.75	1.337	0.874	1.25	1	1.376	1.563	1.575
182/4JP	7.5	1.614	8.661	8.74	7.565	7.319	4.500/5.500	6.969	2.75	1.337	0.874	1.25	1	1.376	1.563	1.575
213JP	8.5	1.779	9.764	10.669	8.606	8.13	5.5	7.362	3.5	1.22	1.249	1.75	1.375	1.77	2.382	2.48
213/5JP	8.5	1.779	9.764	10.669	8.606	8.13	5.500/7.000	8.858	3.5	1.22	1.249	1.75	1.375	1.77	2.382	2.48
215JP	8.5	1.779	9.764	10.669	8.606	8.13	7	8.858	3.5	1.22	1.249	1.75	1.375	1.77	2.382	2.48
254JP	10	2.539	12.126	12.953	10.483	8.13	8.252	10	4.25	1.85	1.249	1.75	1.375	1.77	2.382	2.48
254/6JP	10	2.539	12.126	12.953	10.483	8.13	8.252/10.000	11.732	4.25	1.85	1.249	1.75	1.375	1.77	2.382	2.48
256JP	10	2.539	12.126	12.953	10.483	8.13	10	11.732	4.25	1.85	1.249	1.75	1.375	1.77	2.382	2.48
284JP	11	3.11	13.78	14.173	11.073	8.13	9.5	11.575	4.75	2.244	1.249	1.75	1.375	2.163	2.382	2.48
284/6JP	11	3.11	13.78	14.173	11.073	8.13	9.500/11.000	13.071	4.75	2.244	1.249	1.75	1.375	2.163	2.382	2.48
324JP	12.5	3.189	15.157	15.827	12.575	8.13	10.5	13.071	5.25	2.638	1.249	1.75	1.375	2.36	2.402	2.48
326JP	12.5	3.189	15.157	15.827	12.575	8.13	12	14.567	5.25	2.638	1.249	1.75	1.375	2.36	2.402	2.48
324/6JP	12.5	3.189	15.157	15.827	12.575	8.13	10.500/12.000	14.567	5.25	2.638	1.249	1.75	1.375	2.36	2.402	2.48
364/5JP	14.016	3.15	17.165	17.914	16.016	8.13	11.260/12.244	15.512	5.875	3.189	1.624	2.125	1.75	2.756	2.382	2.48
404/5JP	15.984	3.937	19.921	19.134	16.016	8.13	12.244/13.740	18.386	6.625	3.189	1.624	2.125	1.75	2.756	2.382	2.48

Frame	ET	R	D	G	HB	O	HH	HK	Hole H	C	LL	LM	S	AA	DE	NDE
143JP	5.941	0.768	3.5	0.354	1.787	7.122	4.25	2.638	0.344	17.752	4.528	4.094	0.187	NPT 3/4"	6206 ZZ	6204 ZZ
143/5JP	5.941	0.768	3.5	0.354	1.787	7.122	4.75	2.638	0.344	18.736	4.528	4.094	0.187	NPT 3/4"	6206 ZZ	6204 ZZ
145JP	5.941	0.768	3.5	0.354	1.787	7.122	4.75	2.638	0.344	18.736	4.528	4.094	0.187	NPT 3/4"	6206 ZZ	6204 ZZ
182JP	5.941	0.768	4.5	0.394	2.236	9.343	5	3.15	0.406	19.475	5.512	5.236	0.187	NPT 1"	6307 ZZ	6206 ZZ
182/4JP	5.941	0.768	4.5	0.394	2.236	9.343	5.5	3.15	0.406	20.475	5.512	5.236	0.187	NPT 1"	6307 ZZ	6206 ZZ
213JP	5.886	1.11	5.25	0.669	2.985	10.508	6.25	3.15	0.406	22.804	5.512	5.236	0.25	NPT 1"	6309 Z-C3	6207 ZZ
213/5JP	5.886	1.11	5.25	0.669	2.985	10.508	7	3.15	0.406	24.264	5.512	5.236	0.25	NPT 1"	6309 Z-C3	6207 ZZ
215JP	5.886	1.11	5.25	0.669	2.985	10.508	7	3.15	0.406	24.264	5.512	5.236	0.25	NPT 1"	6309 Z-C3	6207 ZZ
254JP	5.886	1.11	6.25	0.827	3.061	12.598	8.376	3.976	0.531	27.358	7.815	7.48	0.25	NPT 1 1/2"	6309 C3	6209 C3
254/6JP	5.886	1.11	6.25	0.827	3.061	12.598	9.25	3.976	0.531	29.106	7.815	7.48	0.25	NPT 1 1/2"	6309 C3	6209 C3
256JP	5.886	1.11	6.25	0.827	3.061	12.598	9.25	3.976	0.531	29.106	7.815	7.48	0.25	NPT 1 1/2"	6309 C3	6209 C3
284JP	5.886	1.11	7	1.023	3.535	14.067	9.5	3.976	0.531	30.079	7.815	7.48	0.25	NPT 1 1/2"	6311 C3	6211 C3
284/6JP	5.886	1.11	7	1.023	3.535	14.067	10.25	3.976	0.531	31.575	7.815	7.48	0.25	NPT 1 1/2"	6311 C3	6211 C3
324JP	5.906	1.11	8	1.3	4.811	15.953	10.5	4.705	0.657	32.525	9.055	8.661	0.25	NPT 2"	6312 C3	6212 C3
326JP	5.906	1.11	8	1.3	4.811	15.953	11.25	4.705	0.657	34.021	9.055	8.661	0.25	NPT 2"	6312 C3	6212 C3
324/6JP	5.906	1.11	8	1.3	4.811	15.953	11.25	4.705	0.657	34.021	9.055	8.661	0.25	NPT 2"	6312 C3	6212 C3
364/5JP	5.886	1.413	9	1.48	4.251	17.716	11.988	6.024	0.66	35.916	10.591	11.267	0.375	NPT 3"	6314 C3	6314 C3
404/5JP	5.886	1.413	10	1.811	5.252	19.566	13.496	6.024	0.81	38.911	10.591	11.267	0.375	NPT 3"	6314 C3	6314 C3

## CCP - JP - Three Phase - TEFC - Cast Iron - *continued*

Frame	Type	Flange	Size	AJ	AK	BD	S	T	AH	Angle	BF Number
143JP	C	C	FC-149	5.874	4.5	6.496	UNC 3/8"x16	0.157	7.319	45°	4
143/5JP	C	C	FC-149	5.874	4.5	6.496	UNC 3/8"x16	0.157	7.319	45°	4
145JP	C	C	FC-149	5.874	4.5	6.496	UNC 3/8"x16	0.157	7.319	45°	4
182JP	C	C	FC-149	5.874	4.5	6.496	UNC 3/8"x16	0.157	7.319	45°	4
182/4JP	C	C	FC-149	5.874	4.5	6.496	UNC 3/8"x16	0.157	7.319	45°	4
213JP	C	C	FC-184	7.252	8.5	8.858	UNC 1/2"x13	0.248	8.13	45°	4
213/5JP	C	C	FC-184	7.252	8.5	8.858	UNC 1/2"x13	0.248	8.13	45°	4
215JP	C	C	FC-184	7.252	8.5	8.858	UNC 1/2"x13	0.248	8.13	45°	4
254JP	C	C	FC-184	7.252	8.5	8.858	UNC 1/2"x13	0.248	8.13	45°	4
254/6JP	C	C	FC-184	7.252	8.5	8.858	UNC 1/2"x13	0.248	8.13	45°	4
256JP	C	C	FC-184	7.252	8.5	8.858	UNC 1/2"x13	0.248	8.13	45°	4
284JP	C	C	FC-279	11	12.5	13.593	UNC 5/8"x11	0.248	8.13	45°	4
284/6JP	C	C	FC-279	11	12.5	13.593	UNC 5/8"x11	0.248	8.13	45°	4
324JP	C	C	FC-279	11	12.5	13.593	UNC 5/8"x11	0.248	8.13	45°	4
326JP	C	C	FC-279	11	12.5	13.593	UNC 5/8"x11	0.248	8.13	45°	4
324/6JP	C	C	FC-279	11	12.5	13.593	UNC 5/8"x11	0.248	8.13	45°	4
364/5JP	C	C	FC-279	11	12.5	15.562	UNC 5/8"x11	0.248	8.13	45°	8
404/5JP	C	C	FC-279	11	12.5	15.562	UNC 5/8"x11	0.248	8.13	45°	8

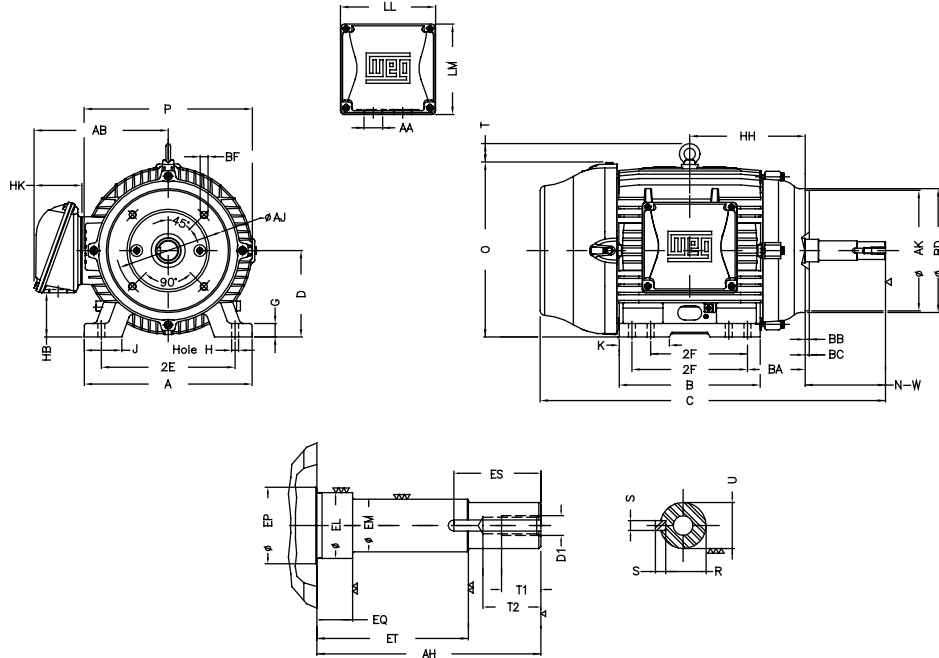
### Frames 143JP to 213/5JP



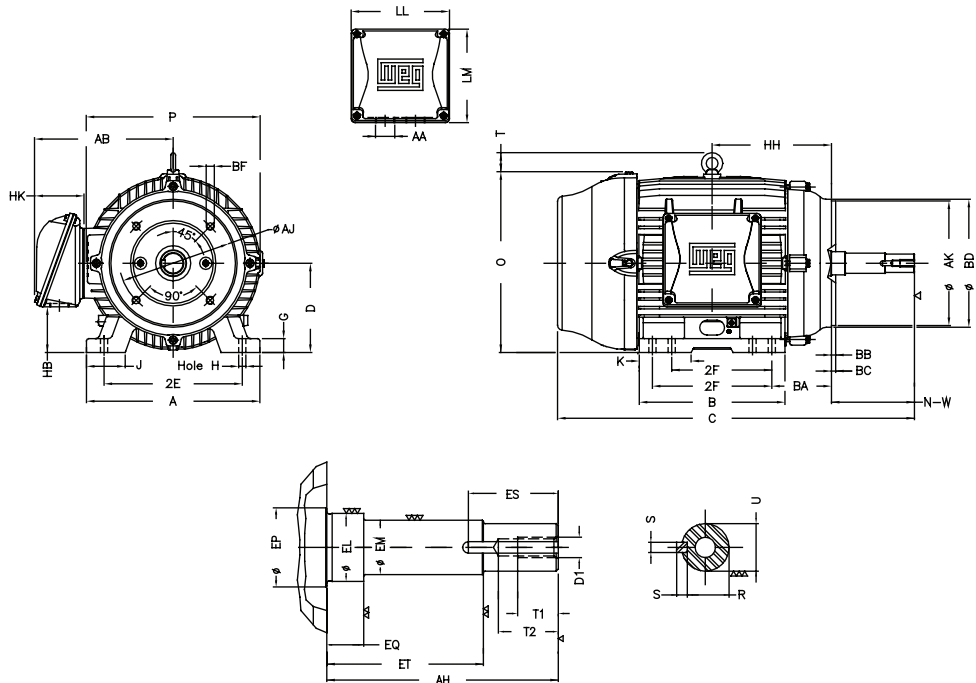
Drawings on next page

## CCP - JP - Three Phase - TEFC - Cast Iron - *continued*

Frames 254JP to 326JP



Frames 364/5JP to 404/5JP



## CCP - JM - Three Phase - ODP - Rolled Steel

Frame	2E	J	A	P	AB	AH	2F	B	BA	CH	U	EL	EM	EP	EQ
143/5JM	5.5	1.732	6.535	6.467	5.873	4.267	4.000/5.000	6.496	2.75	1.377	0.8745	1.156	1	1.179	0.63
182/4JM	7.5	1.299	8.661	8.114	6.696	4.258	4.500/5.500	6.299	3.5	1.377	0.8745	1.25	1	1.376	0.63
213/5JM	8.5	1.575	9.449	9.846	7.973	4.258	5.500/7.000	7.953	4.25	1.929	0.8745	1.25	1	1.769	0.63
254/6JM	10	1.693	11.417	11.558	9.448	5.25	8.252/10.000	11.417	4.75	1.929	1.249	1.75	1.375	1.769	0.63

Frame	ET	R	D	G	HB	O	HD	HK	Hole H	C	LL	LM	S	AA	DE	NDE
143/5JM	2.88	0.771	3.5	0.12	1.784	6.724	6.728	2.629	0.343		4.563	4.09	0.187	1.118"	6206 ZZ	6203 ZZ
182/4JM	2.88	0.771	4.5	0.167	2.784	8.557	8.557	2.629	0.406		4.563	4.09	0.187	1.118"	6207 ZZ	6205 ZZ
213/5JM	2.88	0.771	5.25	0.167	2.982	10.144	10.173	3.022	0.406		5.551	5.25	0.187	1.377"	6209 ZZ	6206 ZZ
254/6JM	3.006	1.11	6.25	0.187	3.631	12.01	12.029	3.645	0.53		6.299	6.017	0.25	1.732"	6309 Z-C3	6208 Z-C3

Frame	Type	Flange	Size	AJ	AK	BD	S	T	AH	Angle	BF Number
143/5JM	C	C	FC-149	5.874	4.5	6.45	UNC 3/8"x16	0.157	4.267	45°	4
182/4JM	C	C	FC-149	5.874	4.5	6.496	UNC 3/8"x16	0.138	4.258	45°	4
213/5JM	C	C	FC-184	7.25	8.5	9.401	UNC 1/2"x13	0.25	4.258	45°	4
254/6JM	C	C	FC-184	7.25	8.5	11.084	UNC 1/2"x13	0.25	5.25	45°	4

## CCP - JP - Three Phase - ODP - Rolled Steel

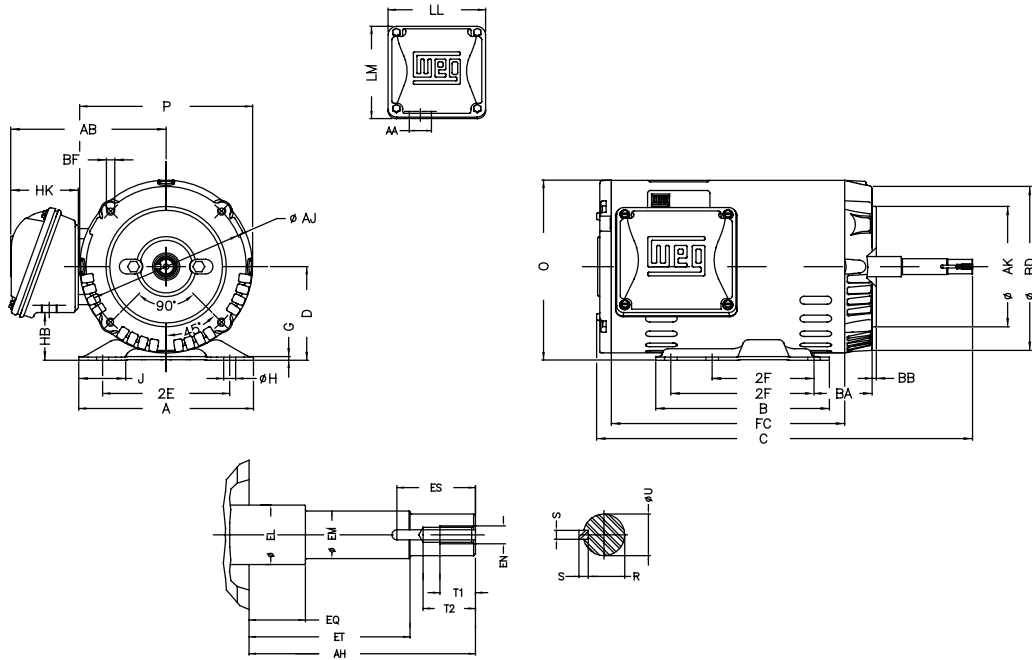
Frame	2E	J	A	P	AB	AH	2F	B	BA	CH	U	EL	EM	EP	EQ
143/5JP	5.5	1.732	6.535	6.467	5.873	7.319	4.000/5.000	6.496	2.75	1.377	0.875	1.156	1	1.179	1.563
182/4JP	7.5	1.299	8.661	8.114	6.696	7.319	4.500/5.500	6.299	3.5	1.377	0.875	1.25	1	1.376	1.563
213/5JP	8.5	1.575	9.449	9.846	7.973	8.13	5.500/7.000	7.953	4.25	1.929	1.25	1.75	1.375	1.769	2.374
254/6JP	10	1.693	11.417	11.558	9.448	8.13	8.252/10.000	11.417	4.75	1.929	1.249	1.75	1.375	1.769	2.382

Frame	Key Length	ET	R	D	G	HB	O	HD	HK	Hole H	C	LL	LM	S	AA	DE	NDE
143/5JP	1.654	5.941	0.771	3.5	0.12	1.784	6.724	6.728	2.629	0.343	-	4.563	4.09	0.187	1.118"	6206 ZZ	6203 ZZ
182/4JP	1.654	5.941	0.771	4.5	0.167	2.784	8.557	8.557	2.629	0.406	-	4.563	4.09	0.187	1.118"	6207 ZZ	6205 ZZ
213/5JP	2.56	5.886	1.11	5.25	0.167	2.982	10.144	10.173	3.022	0.406	-	5.551	5.25	0.25	1.377"	6209 ZZ	6206 ZZ
254/6JP	2.559	5.886	1.11	6.25	0.187	3.631	12.01	12.029	3.645	0.53		6.299	6.017	0.25	1.732"	6309 Z-C3	6208 Z-C3

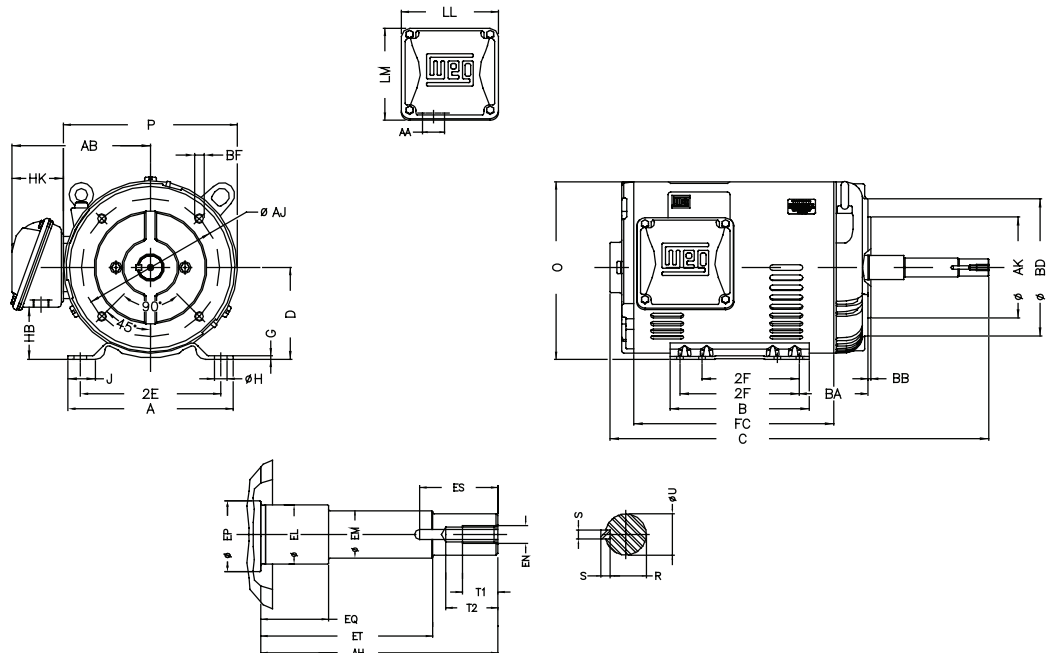
Frame	Type	Flange	Size	AJ	AK	BD	S	T	AH	Angle	BF Number
143/5JP	C	C	FC-149	5.874	4.5	6.45	UNC 3/8"x16	0.157	7.319	45°	4
182/4JP	C	C	FC-149	5.874	4.5	6.496	UNC 3/8"x16	0.138	7.319	45°	4
213/5JP	C	C	FC-184	7.25	8.5	9.401	UNC 1/2"x13	0.25	8.13	45°	4
254/6JP	C	C	FC-184	7.25	8.5	11.084	UNC 1/2"x13	0.25	8.13	45°	4

Drawings on next page

### Frame 143

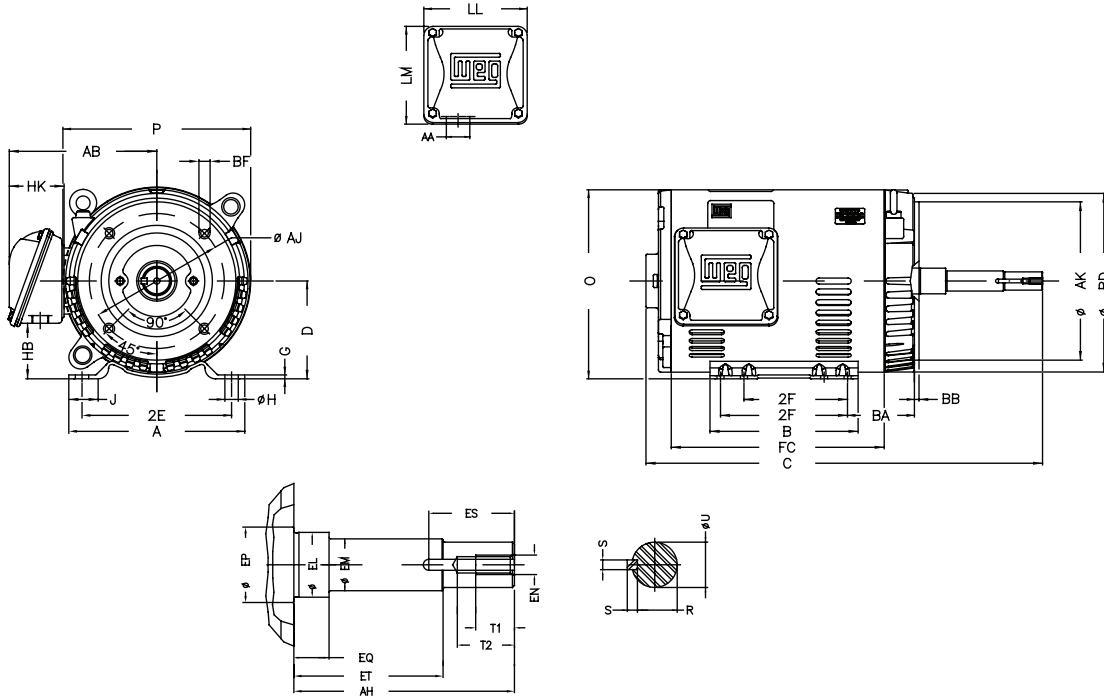


### Frame 182



## CCP - JM and JP - Three Phase - ODP - Rolled Steel - *continued*

Frame 213 to 256



## CCP - JM and JP - Three Phase - ODP - Cast Iron

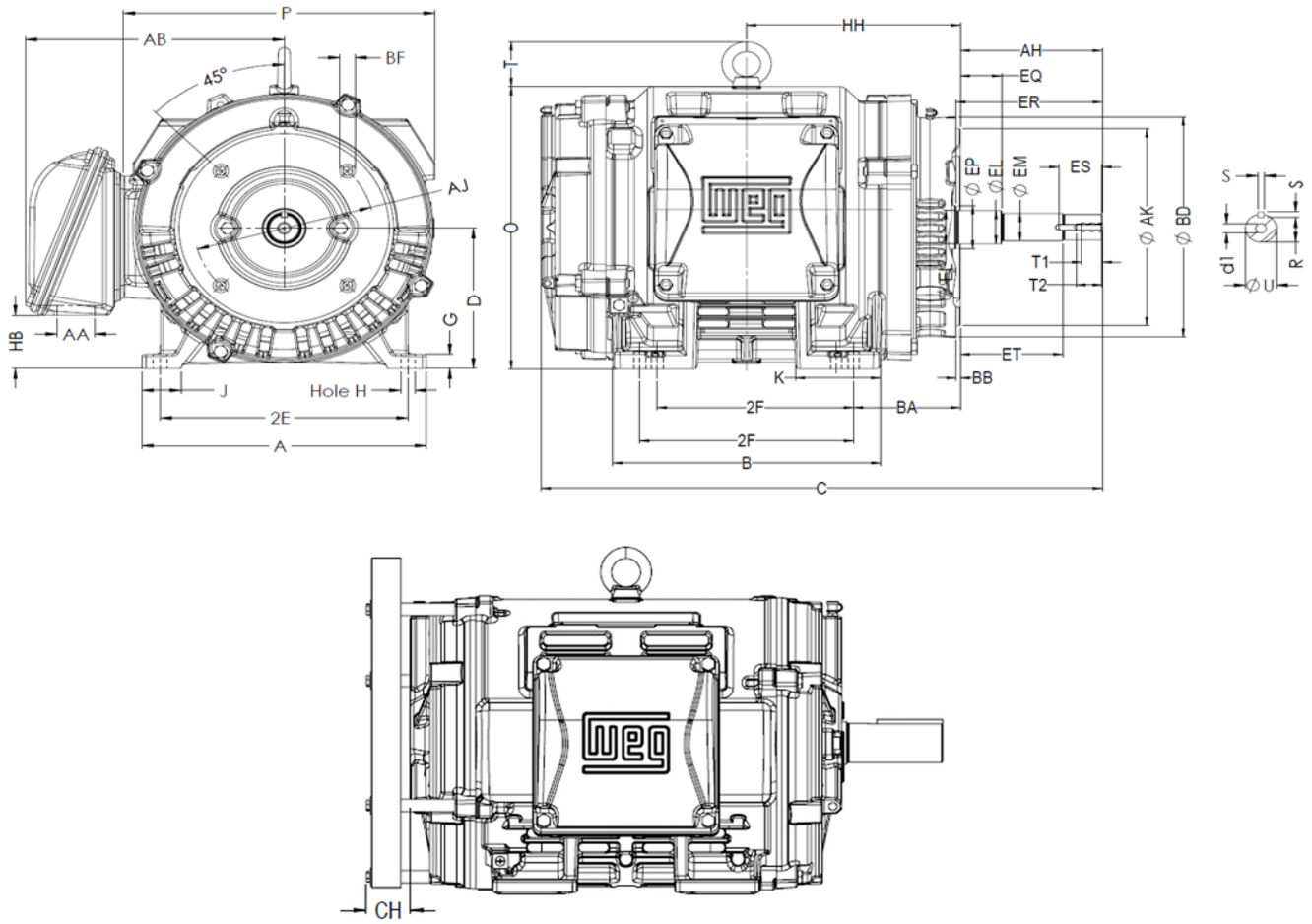
NEMA FRAMES	MOUNTING				A	B	D	G	J	K	O	P	P WITH PROTECTION SCREEN	P WITH DRIP COVER
	2E	2F	H	BA										
254 JM/JP	10.000	8.250	0.530	4.980	11.496	9.507	6.250	0.630	1.526	3.012	12.337	12.598	12.824	14.913
254/6 JM/JP		8.250				11.200			1.485	3.563				
		10.000												
284 JM/JP	11.000	9.500	0.530	5.000	13.780	11.032	7.000	0.787	2.496	3.434	13.782	14.134	14.360	16.213
284/6 JM/JP		9.500				12.529			3.847					
		11.000												
324 JM/JP	12.500	10.500	0.660	5.500	15.157	12.176	8.000	0.974	2.802	3.867	15.492	15.669	15.895	17.669
324/6 JM/JP		10.500				13.554			4.359	15.895				
		12.000												
364/5 JM/JP	14.000	11.250	0.810	6.625	19.921	17.866	10.000	1.181	3.524	4.845	18.409	18.406	18.632	19.804
404/5 JP		12.250							19.921	17.866				
	16.000	13.750												

NEMA FRAMES	T	AB	HB	HH	CH	AA	BEARINGS		NEMA "C" FLANGE						
							D.E.	O.D.E.	AJ	AK	BB	BD	BF		
													Qty.	Tap Size	Bolt Depth
254 JM/JP	2.023	10.462	2.360	9.106	1.831	NPT1.1/2"	6309-Z-C3	6209-Z-C3	7.252	8.500	0.250	14.023	4.000	UNC1/2"x13	0.787
254/6 JM/JP				9.980											
284 JM/JP	1.939	11.933	2.670	9.750	1.870	NPT2"	6311-Z-C3	6211-Z-C3	11.000	12.500	0.250	14.023	4.000	UNC5/8"x11	0.945
284/6 JM/JP				10.500											
324 JM/JP	2.252	13.394	3.658	10.750	1.870	NPT2"	6312-Z-C3	6212-Z-C3	11.000	12.500	0.250	14.023	4.000	UNC5/8"x11	0.945
324/6 JM/JP	2.265			11.500											
364/5 JM/JP	2.795	15.583	4.256	12.000	2.461	NPT3"	6314-C3	6212-Z-C3	11.000	12.500	0.250	14.095	8.000	UNC5/8"x11	0.945
404/5 JP			5.256	13.500	2.382		6316-C3								

NEMA FRAMES	SHAFT END - TYPE JM														C
	LENGTHS				DIAMETERS				KEYWAY			THREADED HOLE			
	AH	ER	EQ	ET	U	EM	EL	EP	S	R	ES	d1 (UNC)	T1	T2	
254 JM	5.250	5.250	0.630	3.002	1.250	1.375	1.750	1.764	0.250	1.110	2.480	1/2"x13-2B	1.100	1.500	22.517
254/6 JM								24.264							
284 JM								24.033							
284/6 JM								25.533							
324 JM								26.057							
324/6 JM								27.557							
364/5 JM								29.270							

NEMA FRAMES	SHAFT END - TYPE JP														C
	LENGTHS				DIAMETERS				KEYWAY			THREADED HOLE			
	AH	ER	EQ	ET	U	EM	EL	EP	S	R	ES	d1 (UNC)	T1	T2	
254 JP	8.130	8.380	2.382	5.886	1.250	1.375	1.750	1.764	0.250	1.110	2.480	1/2"x13-2B	1.100	1.500	25.398
254/6 JP								27.146							
284 JP								26.913							
284/6 JP								28.413							
324 JP								28.937							
324/6 JP								30.437							
364/5 JP								32.150							
404/5 JP								35.152							

## CCP - JM and JP - Three Phase - ODP - Cast Iron





## IEC Metric Motors - Cast Iron Frames

Frame	A	AA	AB	AC	AD	B	BB	C	CA	D	D1	D2	DA	E	EA	ES	F
63	100	25.5	116	125	123	80	95	40	78	11j6	EM4	EM3	9j6	23	20	14	4
71	112	28.5	132	141	131	90	113.5	45	88	14j6	DM5	EM4	11j6	30	23	18	5
80	125	30.5	149	159	140	100	125.5	50	93	19j6	DM6	DM4	14j6	40	30	28	6
90S	140	37	164	184	159	100	131	56	135	24j6	DM8	DM6	16j6	50	40	36	8
90L	140	37	164	184	159	125	156	56	135	24j6	DM8	DM6	16j6	50	40	36	8
L90S	140	37	164	184	159	100	131	56	135	24j6	DM8	DM6	16j6	50	40	36	8
L90L	140	37	164	184	159	125	156	56	135	24j6	DM8	DM6	16j6	50	40	36	8
100L	160	40	188	206	169	140	173	63	118	28j6	DM10	DM8	22j6	60	50	45	8
L100L	160	40	188	206	169	140	173	63	162	28j6	DM10	DM8	22j6	60	50	45	8
112M	190	40.5	220	215	192	140	177	70	128	28j6	DM10	DM8	24j6	60	50	45	8
L112M	190	40.5	220	215	192	140	177	70	158	28j6	DM10	DM8	24j6	60	50	45	8
132S	216	45.5	248	274	220	140	187	89	150	38k6	DM12	DM10	28j6	80	60	63	10
132M	216	45.5	248	274	220	178	225	89	150	38k6	DM12	DM10	28j6	80	60	63	10
132M/L	216	45.5	248	274	220	178/203	250	89	150	38k6	DM12	DM10	28j6	80	60	63	10
160M	254	64	308	329	266	210	254	108	174	42k6	DM16	DM16	42k6	110	110	80	12
160L	254	64	308	329	266	254	298	108	174	42k6	DM16	DM16	42k6	110	110	80	12
180M	279	78	350	360	281	241	294	121	200	48k6	DM16	DM16	48k6	110	110	80	14
180L	279	78	350	360	281	279	332	121	200	48k6	DM16	DM16	48k6	110	110	80	14
200L	318	82	385	402	319	305	370	133	222	55m6	DM20	DM20	48k6	110	110	80	16
225S/M	356	80	436	455	410	286/311	412	149	319/294	60m6	DM20	DM20	60m6	140	140	125	18
250S/M	406	100	506	486	410	311/349	467	168	354/316	65m6	DM20	DM20	60m6	140	140	125	18
280S/M	457	100	557	599	445	368/419	517	190	385/334	75m6	DM20	DM20	65m6	140	140	125	20
315S/M	508	120	630	657	525	406/457	621	216	443	80m6	DM20	DM20	65m6	170	140	160	22
315L	508	120	630	657	589	508	752	216	502	80m6	DM20	DM20	65m6	170	140	160	22
355M/L	610	140	750	736	609	560/630	760	254	483/413	100m6	DM24	DM20	80m6	210	170	200	28

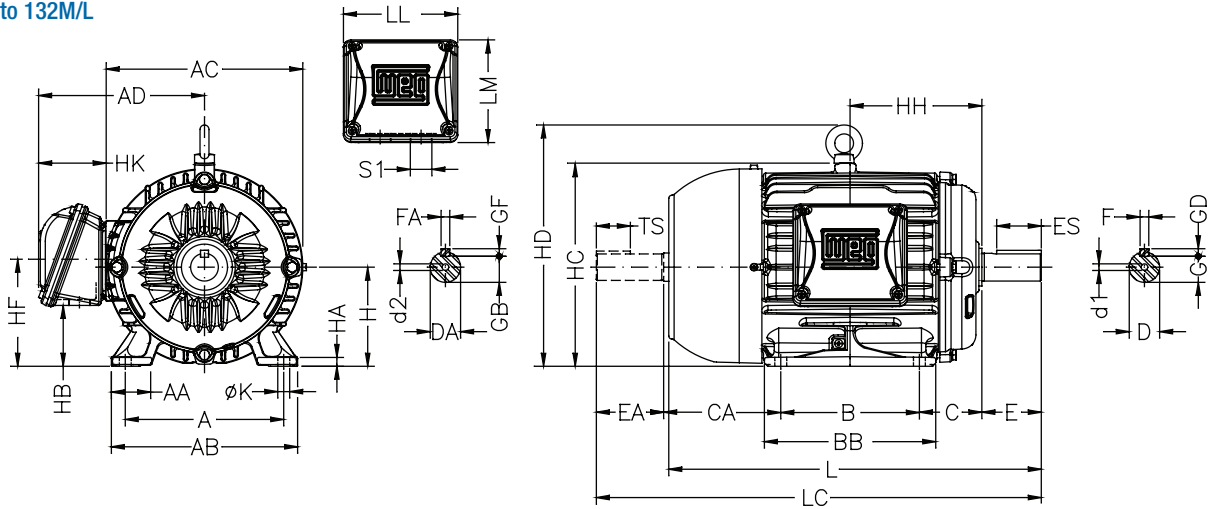
Frame	FA	G	GB	GD	GF	H	HA	HB	HC	HD	HF	HH	HK	K	L	LC	LL	LM	S1	DE	NDE
63	3	8.5	7.2	4	3	63	7	25.5	130	156.3	68.5	80	59	7	216	241	108.5	99	2xM20x1,5	6201 ZZ	6201 ZZ
71	4	11	8.5	5	4	71	7	33	145	163.8	76	90	59	7	250	276	108.5	99	2xM20x1,5	6202 ZZ	6202 ZZ
80	5	15.5	11	6	5	80	8	43.5	163	174.3	87	100	59	10	277	313	108.5	99	2xM20x1,5	6204 ZZ	6203 ZZ
90S	5	20	13	7	5	90	9	45	182	182.4	90	106	67	10	305	350	115	104	2xM25x1,5	6205 ZZ	6204 ZZ
90L	5	20	13	7	5	90	9	45	182	182.4	90	118.5	67	10	329	375	115	104	2xM25x1,5	6205 ZZ	6204 ZZ
L90S	5	20	13	7	5	90	9	45	182	182.4	90	106	67	10			115	104	2xM25x1,5	6205 ZZ	6204 ZZ
L90L	5	20	13	7	5	90	9	45	182	182.4	90	118.5	67	10			115	104	2xM25x1,5	6205 ZZ	6204 ZZ
100L	6	24	18.5	7	6	100	10	61.5	205	244	106.4	133	67	12	376	431	115	104		6206 ZZ	6205 ZZ
L100L	6	24	18.5	7	6	100	10	61.5	205	244	106.4	133	67	12			115	104		6206 ZZ	6205 ZZ
112M	8	24	20	7	7	112	10	54.5	226	280	112	140	80	12	394	448	140	133	2xM32x1,5	6207 ZZ	6206 ZZ
L112M	8	24	20	7	7	112	10	54.5	226	280	112	140	80	12			140	133	2xM32x1,5	6207 ZZ	6206 ZZ
132S	8	33	24	8	7	132	16	75	274	319	132	159	80	12	452	519	140	133	2xM32x1,5	6308 ZZ	6207 ZZ
132M	8	33	24	8	7	132	16	75	274	319	132	178	80	12	489	557	140	133	2xM32x1,5	6308 ZZ	6207 ZZ
132M/L	8	33	24	8	7	132	16	75	274	319	132	190.5	80	12	515	582	140	133	2xM32x1,5	6308 ZZ	6207 ZZ
160M	12	37	37	8	8	160	22	79	331	374	168	213	101	14.5	598	712	198.5	190	2xM40x1,5	6309 C3	6209 C3
160L	12	37	37	8	8	160	22	79	331	374	168	235	101	14.5	642	756	198.5	190	2xM40x1,5	6309 C3	6209 C3
180M	14	42.5	42.5	9	9	180	28	92	366	413	180	241.5	101	14.5	664	782	198.5	190	2xM40x1,5	6311 C3	6211 C3
180L	14	42.5	42.5	9	9	180	28	92	366	413	180	260.5	101	14.5	702	820	198.5	190	2xM40x1,5	6311 C3	6211 C3
200L	14	49	42.5	10	9	200	30	119	407	464	218	285.5	119.5	18.5	767	880	230	220	2xM50x1,5	6312 C3	6212 C3
225S/M	18	53	53	11	11	225	34	254	453	541	421	212	153	18.5	886	1034	269	285	2xM50x1,5	6314 C3	6314 C3
250S/M	18	58	53	11	11	250	43	297	493	583	463	214	153	24	965	1113	269	285	2xM63x1,5	6314 C3	6314 C3
280S/M	18	67.5	58	12	11	280	42	386	580	700	572	266	151	24	1071	1223	314	312	2xM63x1,5	6316 C3	6316 C3
315S/M	18	71	58	14	11	315	48	386	644	768	592	264	176	28	1274	1426	379	382	2xM63x1,5	6319 C3	6316 C3
315L	18	71	58	14	11	315	48	336	644	774	575	284	220	28	1389	1536	404	436	2xM63x1,5	6319 C3	6316 C3
355M/L	22	90	71	16	14	355	50	461	723	898	700	339	220	28	1482	1677	404	436	2xM63x1,5	6322 C3	6319 C3

Dimensions measured in millimeters.

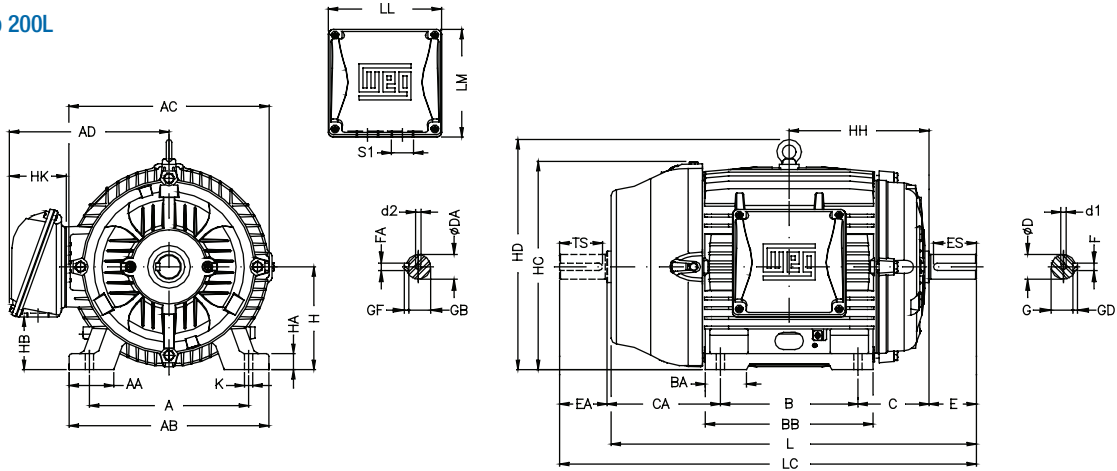
Drawings on next page

## IEC Metric Motors - Cast Iron Frames - *continued*

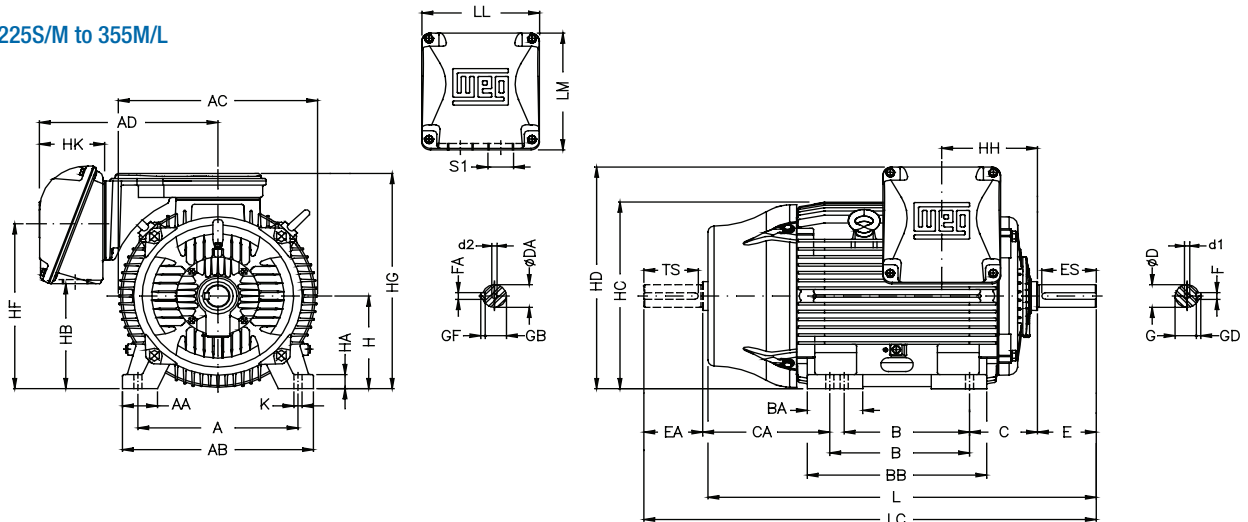
### Frames 63 to 132M/L



### Frames 160L to 200L



### Frames 225S/M to 355M/L

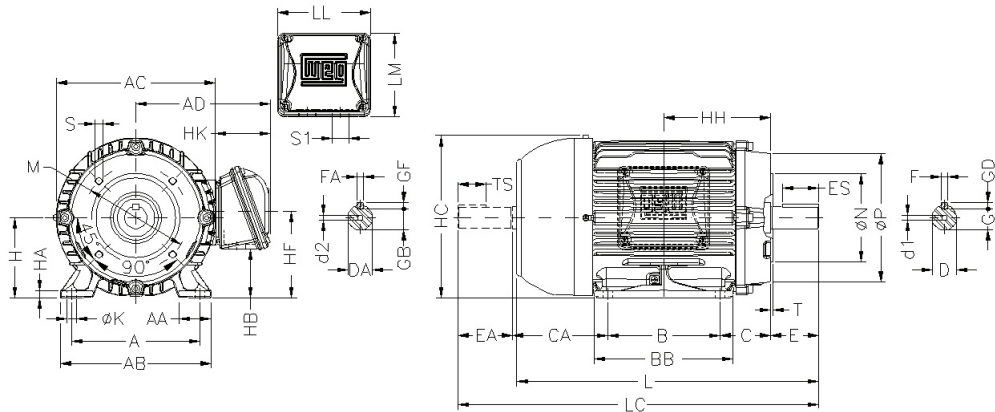


## IEC Metric Motors - Cast Iron Frames - Additional Flange Detail

Frame	Type	Flange	Size	LA	M	N	P	S	T	Angle	Holes
63	C	FC	FC-95	4.5	95.2	76.2	143	UNC 1/4"x20	4	45°	4
63	C	C-90	C-90	9.5	75	60	90	M5	2.5	45°	4
71	C	FC	FC-95	10	95.2	76.2	143	UNC 1/4"x20	4	45°	4
71	C	C-105	C-105	8	85	70	105	M6	2.5	45°	4
80	C	FC	FC-95	10	95.2	76.2	143	UNC 1/4"x20	4	45°	4
80	C	C-120	C-120	10.5	100	80	120	M6	3	45°	4
90S	C	FC	FC-149	15	149.2	114.3	165	UNC 3/8"x16	4	45°	4
90S	C	C-140	C-140	10.5	115	95	140	M8	3	45°	4
90L	C	FC	FC-149	15	149.2	114.3	165	UNC 3/8"x16	4	45°	4
90L	C	C-140	C-140	10.5	115	95	140	M8	3	45°	4
100L	C	FC	FC-149	12	149.2	114.3	165	UNC 3/8"x16	4	45°	4
100L	C	C-160	C-160	12	130	110	160	M8	3.5	45°	4
112M	C	FC	FC-184	13.5	184.2	215.9	225	UNC 1/2"x13	6.3	45°	4
112M	C	C-160	C-160	13.5	130	110	160	M8	3.5	45°	4
L90S	C	FC	FC-149	15	149.2	114.3	165	UNC 3/8"x16	4	45°	4
L90S	C	C-140	C-140	10.5	115	95	140	M8	3	45°	4
L100L	C	FC	FC-149	12	149.2	114.3	165	UNC 3/8"x16	4	45°	4
L100L	C	C-160	C-160	12	130	110	160	M8	3.5	45°	4
L90L	C	FC	FC-149	15	149.2	114.3	165	UNC 3/8"x16	4	45°	4
L90L	C	C-140	C-140	10.5	115	95	140	M8	3	45°	4
132S	C	FC	FC-184	9	184.2	215.9	225	UNC 1/2"x13	6.3	45°	4
132S	C	C-200	C-200	15.5	165	130	200	M10	3.5	45°	4
132M	C	FC	FC-184	9	184.2	215.9	225	UNC 1/2"x13	6.3	45°	4
132M	C	C-200	C-200	15.5	165	130	200	M10	3.5	45°	4
L112M	C	FC	FC-184	13.5	184.2	215.9	225	UNC 1/2"x13	6.3	45°	4
L112M	C	C-160	C-160	13.5	130	110	160	M8	3.5	45°	4
160M	C	FC	FC-184		184.2	215.9	225	UNC 1/2"x13	6.3	45°	4
160M	C	C-250	C-250	19	215	180	249	M12x1,75	6.3	45°	4
132M/L	C	FC	FC-184	9	184.2	215.9	225	UNC 1/2"x13	6.3	45°	4
132M/L	C	C-200	C-200	15.5	165	130	200	M10	3.5	45°	4
160L	C	FC	FC-184		184.2	215.9	225	UNC 1/2"x13	6.3	45°	4
160L	C	C-250	C-250	19	215	180	249	M12x1,75	6.3	45°	4
180M	C	FC	FC-228	13.5	228.6	266.7	280	UNC 1/2"x13	6.3	45°	4
180L	C	FC	FC-228	13.5	228.6	266.7	280	UNC 1/2"x13	6.3	45°	4
200L	C	FC	FC-228	13.5	228.6	266.7	280	UNC 1/2"x13	6.3	45°	4
225S/M	C	FC	FC-279	18.5	279.4	317.5	395	UNC 5/8"x11	6.3	22°30'	8
250S/M	C	FC	FC-355	18.5	355.6	406.4	455	UNC 5/8"x11	6.3	22°30'	8
280S/M	C	FC	FC-355	18.5	355.6	406.4	455	UNC 5/8"x11	6.3	22°30'	8
315S/M	C	FC	FC-368	18.5	368.3	419.1	455	UNC 5/8"x11	6.3	22°30'	8
315L	C	FC	FC-368	18.5	368.3	419.1	455	UNC 5/8"x11	6.3	22°30'	8
355M/L	C	FC	FC-368	33.5	368.3	419.1	455	UNC 5/8"x11	6.3	22°30'	8

Dimensions in mm

FC & C-DIN Flanges







# Quote/Order Request Guidance



WEG's goal is to provide quick and accurate quotes to our customers and to insure orders can be processed accurately.

To assist customers in this process WEG has developed the form below to insure the minimum information required is included on the request, and to guide you where options may also be desired.

The form highlights in red the minimum information required to define a motor. Today, this includes destination (Country) to insure we comply with Energy Efficiency and certification regulations, and avoid rejection of the motor at the border.

This interactive form is available on our website ([www.weg.net](http://www.weg.net)) or by scanning the QR code below. While we do not require use of this form, we encourage customers to be aware of the minimum information required and include it with their requests.

The minimum information required is:

1. Quantity
2. Destination (Country) important to insure compliance with Regulations
3. HP or kW
4. RPM
5. Efficiency level (NEMA Premium®, IE2, IE3...)
6. Enclosure
7. Frame Size (if need specific or IEC Vs NEMA)
8. Phase
9. Hz
10. Voltage
11. Mounting (Foot/Flange/both)
12. Type of flange (if flange, C, D, FF..)
13. Application – Helps understand load type



Scan the QR code above or visit [www.weg.net/usmotorquote](http://www.weg.net/usmotorquote) to download the form.

**WEG Electric Corp.**  
Inquiry Form for AC Low Voltage Motors

<b>WEG Division:</b> WEG Motors	<b>Date Entered:</b> 5/4/2017	<b>Date Required:</b> 5/9/2017
<b>Submitted By:</b>	<b>Customer:</b>	
<b>WEG ref.:</b>	<b>Customer ref.:</b>	
<b>Project:</b>	<b>Specification:</b>	

**MOTOR DESCRIPTION:**

☐ TFC ☐ NEMA **\* Application** **\* Motor Destination**

**\* Phase** Three phase **\* Line** W22 General Purpose **\* Efficiency** NEMA Premium Efficiency **\* Enclosure** T1FC

Item	* Qty	* HP	* kW	* RPM	* Frame	* Voltage (V)	* Freq. (Hz)	* Mount	* Terminal Box Location (DE)	* Type of Flange
1										
2										
3										
4										

\* If the motor is for replacement, please include the SN in the nameplate, nameplate pictures, drawings, all applicable documentation available.

**ELECTRICAL FEATURES:**

Insulation class: / Other: Design: S Starts/hour: /  
 Temperature rise (50K @ 100%): / Other: Duty: S1 - Continuous  
 Service factor: 1.15 Other: Rotation (From DE): B-direction  
 Inverter Operation:  No  Yes Speed range: Torque:  Insulated DE Enabled - NDE Brush  
 Other:  Insulated NDE Bearing - DE Brush

**MECHANICAL FEATURES:**

Protection: IP55 Drive Method: Direct Planning Plan: 202A - Frame A-List  
 Frame Material: Galvalume Fan Material (TEFC): None Color: Other: [40] 5000 - Acute Blue  
 D.E. Bearings: (N) Special bearings (DE/NDE): / Other: /

**ENVIRONMENT FEATURES:**

Ambient Temperature: 40°C Other: Altitude: 1000 m a.s.l. Other:  
 Humidity: Other: Location:  
 Hazardous Area:  No  Yes Zone / Class: Group: Temperature class:  
 Division: Other:

**LOAD INFORMATION:**

Load Torque: / lb-ft Axial Load: / lb Application point (x): / in  
 Load Inertia: / lb-ft<sup>2</sup> Radial Load: / lb § Distance from shaft shoulder to bell pull center.

**ACCESSORIES:**

Speed Indicators: Without Vibration sensor: Without  
 Thermal Protection: ALARM Without Thermal Protection: SWITCH OFF: Without  
 Bearing Protection: Without Stainless Steel Fasteners:  Additional Terminal Box:  Internal Anti-Corrosion Epoxy Coating

**SPECIAL FEATURES REQUIRED:**


**TESTING REQUIRED:**

Routine Test (Un-witnessed)  Type Test (Un-witnessed)  Vibration Test (Un-witnessed)  Other:  
 Routine Test (Witnessed)  Type Test (Witnessed)  Noise Level Test (Un-witnessed)

**DOCUMENTATION REQUIRED:**

Data Sheet  Drawing  Performance Curves  Other:



- Models in black text are Standard Efficiency
- Models in blue text are NEMA Premium® Efficiency
- Models in green text are NEMA Super Premium Efficiency

## Catalog Notes

1	1.0 Service Factor	31	Rating is suitable for 1.0SF @ 50Hz. Also suitable for next lower HP @ 1.15SF 50Hz
2	Aluminum Frame with Removable Feet	32	Suitable for 1.15SF @ 50°C ambient
3	Automatic Reset Thermal Overload Protector	33	Suitable for 380V 60Hz when wired as YY (double WYE)
4	Manual Reset Thermal Overload Protector	34	AEGIS® Inside
5	CCW Rotation Viewed from Shaft End - Non Reversible	35	AEGIS® ring installation reduces the available "N-W" length
6	Compressor Duty	36	Super Premium
7	F2 Mount	37	Design A
8	F3 Mount	38	TEAO - Totally Enclosed Air Over
9	Rolled Steel Frame - Cannot be modified with T Box on opposite side	39	Cannot be modified with T Box on opposite side
10	Not Thermally Protected	40	NDE shaft with 3/8" drive socket
11	Metal fan - Not suitable for division 2	41	Also rated 230/460V 50Hz 1.0 SF
12	Reduced Frame	42	Rated 50°C ambient
13	Resilient Base	43	With insulated non drive end housing
14	Roller Bearing	44	With air deflector. Flange MOD not available
15	Round Body - Drip Cover Included	45	Also rated 380V 50Hz
16	Split-Phase Motor	46	56J shaft end with dual opposed threads (7/16-20 UNF-2A R.H and 3/8-16 UNF-2A L.H)
17	TENV - Totally Enclosed Non Ventilated	47	Motor designed with copper bar rotor
18	Z-Frame; Bigger Shaft Diameter and Bearings	48	Motor suitable for safe area only
19	105K Temperature Rise; VFD service requires HP derate	49	Rating suitable for replate to 1.15SF on variable torque VFD power
20	Round Body - Drip Cover NOT Included	50	Rating requires replate to Class H insulation for 1.15SF on variable torque VFD power
21	Stainless Steel Body	51	Not normally stocked. Factory build lead time may apply
22	Two Speed - Double Windings		
23	Two Speed - Single Winding		
24	Modified item. Usually ships in two weeks		
25	Brake rectifier suitable for 230VAC		
26	Brake rectifier suitable for 460VAC		
27	For Export Only (not to be used in the USA) due to Certification and/or Efficiency requirements.		
28	ODP Fan Cooled		
29	Standard Efficiency		
30	High Efficiency (EPACT)		

# IEC Metric Mounting Reference Guide

Frame	A	AB	AC	AD	B	C	D	E	ES	F	G	H	HC	HH	K	S1
63	100	116	125	123	80	40	11j6	23	14	4	8.5	63	130	80	7	2xM20x1.5
71	112	132	141	131	90	45	14j6	30	18	5	11	71	145	90	7	2xM20x1.5
80	125	149	159	140	100	50	19j6	40	28	6	15.5	80	163	100	10	2xM20x1.5
90S	140	164	184	159	100	56	24j6	50	36	8	20	90	182	106	10	2xM25x1.5
90L	140	164	184	159	125	56	24j6	50	36	8	20	90	182	118.5	10	2xM25x1.5
L90S	140	164	184	159	100	56	24j6	50	36	8	20	90	182	106	10	2xM25x1.5
L90L	140	164	184	159	125	56	24j6	50	36	8	20	90	182	118.5	10	2xM25x1.5
100L	160	188	206	169	140	63	28j6	60	45	8	24	100	205	133	12	
L100L	160	188	206	169	140	63	28j6	60	45	8	24	100	205	133	12	
112M	190	220	215	192	140	70	28j6	60	45	8	24	112	226	140	12	2xM32x1.5
L112M	190	220	215	192	140	70	28j6	60	45	8	24	112	226	140	12	2xM32x1.5
132S	216	248	274	220	140	89	38k6	80	63	10	33	132	274	159	12	2xM32x1.5
132M	216	248	274	220	178	89	38k6	80	63	10	33	132	274	178	12	2xM32x1.5
132M/L	216	248	274	220	178/203	89	38k6	80	63	10	33	132	274	190.5	12	2xM32x1.5
160M	254	308	329	266	210	108	42k6	110	80	12	37	160	331	213	14.5	2xM40x1.5
160L	254	308	329	266	254	108	42k6	110	80	12	37	160	331	235	14.5	2xM40x1.5
180M	279	350	360	281	241	121	48k6	110	80	14	42.5	180	366	241.5	14.5	2xM40x1.5
180L	279	350	360	281	279	121	48k6	110	80	14	42.5	180	366	260.5	14.5	2xM40x1.5
200L	318	385	402	319	305	133	55m6	110	80	16	49	200	407	285.5	18.5	2xM50x1.5
225S/M	356	436	455	410	286/311	149	60m6	140	125	18	53	225	453	212	18.5	2xM50x1.5
250S/M	406	506	486	410	311/349	168	65m6	140	125	18	58	250	493	214	24	2xM63x1.5
280S/M	457	557	599	445	368/419	190	75m6	140	125	20	67.5	280	580	266	24	2xM63x1.5
315S/M	508	630	657	525	406/457	216	80m6	170	160	22	71	315	644	264	28	2xM63x1.5
315L	508	630	657	589	508	216	80m6	170	160	22	71	315	644	284	28	2xM63x1.5
355M/L	610	750	736	609	560/630	254	100m6	210	200	28	90	355	723	339	28	2xM63x1.5

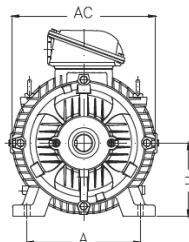
## B14 (C-Flange)

M	N	P	S	T
75	60	90	M5	2.5
85	70	105	M6	2.5
100	80	120	M6	3
115	95	140	M8	3
115	95	140	M8	3
115	95	140	M8	3
115	95	140	M8	3
130	110	160	M8	3.5
130	110	160	M8	3.5
130	110	160	M8	3.5
130	110	160	M8	3.5
165	130	200	M10	3.5
165	130	200	M10	3.5
165	130	200	M10	3.5
215	180	249	M12	6.3
215	180	249	M12	6.3
228.6	266.7	280	UNC 1/2"x13	6.3
228.6	266.7	280	UNC 1/2"x13	6.3
228.6	266.7	280	UNC 1/2"x13	6.3
279.4	317.5	395	UNC 5/8"x11	6.3
355.6	406.4	455	UNC 5/8"x11	6.3
355.6	406.4	455	UNC 5/8"x11	6.3
368.3	419.1	455	UNC 5/8"x11	6.3
368.3	419.1	455	UNC 5/8"x11	6.3
368.3	419.1	455	UNC 5/8"x11	6.3

Dimensions measured in millimeters.

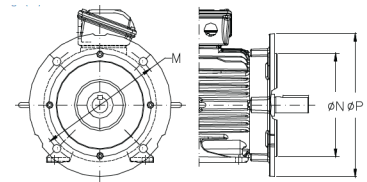
IEC Standard Dimensions

WEG W22 Specific Dimension

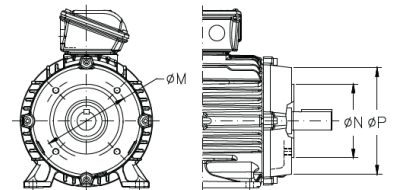


## B5 (FF Flange)

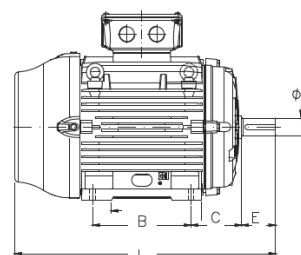
M	N	P	S	T
115	95	140	10	3
130	110	160	10	3.5
165	130	200	12	3.5
165	130	200	12	3.5
165	130	200	12	3.5
165	130	200	12	3.5
165	130	200	12	3.5
215	180	250	15	4
215	180	250	15	4
215	180	250	15	4
215	180	250	15	4
215	180	250	15	4
265	230	300	15	4
265	230	300	15	4
265	230	300	15	4
265	230	300	15	4
300	250	350	19	5
300	250	350	19	5
300	250	350	19	5
300	250	350	19	5
350	300	400	19	5
400	350	450	19	5
500	450	550	19	5
500	450	550	19	5
600	550	660	24	6
600	550	660	24	6
740	680	800	24	6



B5 Flange (FF)



B14 Flange (C-DIN)



IEC Critical Dimensions



# NEMA Mounting Reference Guide

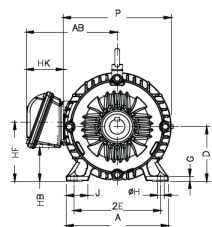
Frame	Frame								Keyway			Shaft Extension		Terminal Box			C-Face								
	2E	2F	H	BA2	A Max	D	O	P	S	R	ES	N-W	U	AB	HH	AA	AJ	AK	AH	BD	BB	BF			
143T	5.5	4.0	0.344	2.25 1	6.457	3.50	7.122	7.047	0.187	0.765	1.575	2.250	0.875	6.181	4.250	NPT 3/4"	5.875	4.500	2.125	6.500	0.157	3/8"x16			
L143T																	5.875	4.500	2.125	6.500	0.157	3/8"x16			
145T		5.0															5.875	4.500	2.125	6.500	0.157	3/8"x16			
L145T																	5.875	4.500	2.125	6.500	0.157	3/8"x16			
182T	7.5	4.5	0.406	2.75 1	8.661	4.50	9.343	8.740	0.250	0.984	1.969	2.750	1.125	7.559	5.000	NPT 1"	7.25	8.5	2.625	8.875	0.25	1/2"x13			
L182T																			7.25	8.5	2.625	8.875	0.25	1/2"x13	
184T																		5.5	7.25	8.5	2.625	8.875	0.25	1/2"x13	
L184T																	7.25	8.5	2.625	8.875	0.25	1/2"x13			
213T	8.5	5.5	3.5 1	9.764	5.25	10.841	10.669	0.313	1.203	2.480	3.375	1.375	8.583	6.250			7.25	8.5	3.125	8.875	0.25	1/2"x13			
L213T																			7.25	8.5	3.125	8.875	0.25	1/2"x13	
215T																		7.0	7.25	8.5	3.125	8.875	0.25	1/2"x13	
L215T																	7.25	8.5	3.125	8.875	0.25	1/2"x13			
254T	10.0	8.250	0.531	4.25 1	12.126	6.25	12.598	12.953	0.375	1.406	2.756	4.000	1.625	10.394	8.375	NPT 1 1/2"	7.25	8.5	3.75	8.875	0.25	1/2"x13			
256T		10.0															7.25	8.5	3.75	8.875	0.25	1/2"x13			
284TS	11.0	9.5	4.75	13.780	7.00	14.067	14.173			2.480	3.250			10.984	9.500		9	10.5	3	11.03	0.25	1/2"x13			
284T																			9	10.5	4.375	11.03	0.25	1/2"x13	
286TS																		11.0	9	10.5	3	11.03	0.25	1/2"x13	
286T																	9	10.5	4.375	11.03	0.25	1/2"x13			
324TS	12.5	10.5	0.657	5.25	15.157	8.00	15.953	15.827			2.756	3.750			12.480	10.500	NPT 2"	11	12.5	3.5	13.189	0.25	5/8"x11		
324T																				11	12.5	5	13.189	0.25	5/8"x11
326TS																			12.0	11	12.5	3.5	13.189	0.25	5/8"x11
326T																	11	12.5	5	13.189	0.25	5/8"x11			
364/5TS	14.0	11.25/12.25	0.660	5.875	17.165	9.00	17.957	17.914		1.591	1.968	3.748	1.875	16.378	12.362	NPT 3"	11	12.5	3.5	15.5	0.25	5/8"x11			
364/5T																			11	12.5	5.625	15.5	0.25	5/8"x11	
404/5TS																		16.0	0.810	6.625	19.921	10.00	19.566	19.134	0.500
404/5T									0.750	2.449	5.512	7.250	2.875				11	12.5	7	15.5	0.25	5/8"x11			
444/5TS	18.0	14.5/16.5	7.500	21.929	11.00	22.795	23.583			0.625	2.021	3.000	4.750	2.375	18.386	15.748	2xNPT 3"	14	16	4.5	17.91	0.25	5/8"x11		
444/5T																				14	16	8.25	17.91	0.25	5/8"x11
445/7TS																			16.5/20.0	0.625	2.021	3.000	4.750	2.375	20.670
445/7T									0.875	2.880	7.087	8.500	3.375				14	16	8.25	17.91	0.25	5/8"x11			
447/9TS		20.0/25.0							0.625	2.021	3.000	4.750	2.375				14	16	4.5	17.91	0.25	5/8"x11			
447/9T									0.875	2.880	7.087	8.500	3.375				14	16	8.25	17.91	0.25	5/8"x11			
L447/9TS		20.0/25.0				23.874	25.866		0.625	2.021	3.000	4.750	2.375	23.071	11.500		14	16	4.5	17.91	0.25	5/8"x11			
L447/9T									0.875	2.880	7.087	8.500	3.375				14	16	8.25	17.91	0.25	5/8"x11			
504/5TS	20.0	16.0/18.0	1.250	8.500	24.724	12.50	25.425			0.625	2.021	3.000	4.750	2.375	20.670	10.394		14.5	16.5	4.5	17.91	0.25	5/8"x11		
504/5T																				14.5	16.5	10.375	17.91	0.25	5/8"x11
586/7TS	23.0	22.0/25.0	1.181	10.000	29.528	14.50	28.985	28.977		0.625	2.021	3.000	4.750	2.375	23.977	13.386		14.5	16.5	4.5	17.91	0.25	5/8"x11		
586/7T																				14.5	16.5	11.375	17.91	0.25	5/8"x11
588/9TS																			28.0/32.0	0.625	2.021	3.000	4.750	2.375	27.600
588/9T									1.000	3.312	8.661	11.625	3.875				14.5	16.5	11.375	17.91	0.25	5/8"x11			

All dimensions in Inches

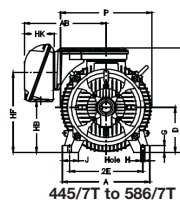
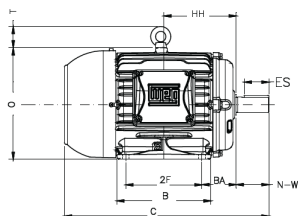
NEMA Standard Dimensions  
WEG W22 Specific Dimension

Notes:

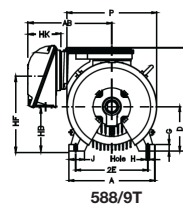
- 1 - Applies to W22 & W21X C-Face motors and all stock modified when flange is added. Non-NEMA BA on Flange motors
- 2 - NEMA "BA" dimension shown in Tyable A is longer on Flanged mounted motors 143T-256T than on Foot only motors, applies to Stock Rolled Steel and W40 lines.



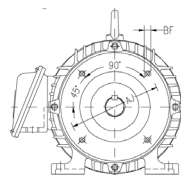
143T to 444/5T



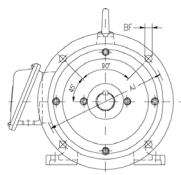
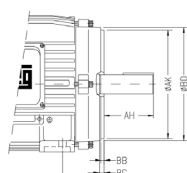
445/7T to 586/7T



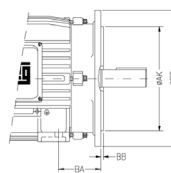
588/9T



C-Flange



D-Flange



Want to receive notification of updates?



Register to keep your catalog up-to-date



WEG Electric Corp.  
6655 Sugarloaf Parkway  
Duluth, GA 30097  
Phone: 1-800-ASK-4WEG (275-4934)  
[www.weg.net](http://www.weg.net)