

## Wilkerson Compact Combination Units

**Features:**

- maximum operating conditions:
  - transparent bowl: **150 PSIG** (10.3 bar) and **32°F to 125°F** (0°C to 52°C)
  - metal bowl: **250 PSIG** (17.2 bar) and **32°F to 150°F** (0°C to 65.5°C)
- Included components:
  - (2) end blocks
  - (2) mounting brackets with joiner set and port O-ring

**Filter series F18:**

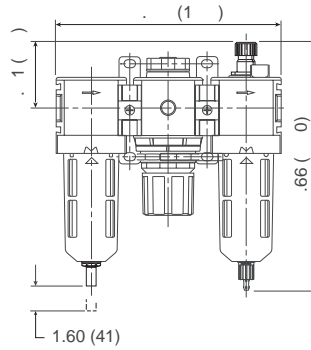
- 5 micron element
- 4 oz. bowl

**Regulator series R18:**

- 0-125 PSI adjusting range
- self-relieving
- supplied with a GC230 gauge

**Lubricator series L18:**

- 4.09 oz. bowl
- adjustable oil feed
- full view sight dome



with metal bowl



Size	Flow (SCFM)	With Transparent Bowl and Guard				With Metal Bowl			
		Automatic Drain		Manual Drain		Automatic Drain		Manual Drain	
		Part #	Price/E	Part #	Price/E	Part #	Price/E	Part #	Price/E
¼"	110	<b>C18-02A</b>	<b>\$529.85</b>	<b>C18-02M</b>	<b>\$473.65</b>	<b>C18-02AMB</b>	<b>\$554.85</b>	<b>C18-02MMB</b>	<b>\$502.20</b>
⅜"	160	<b>C18-03A</b>	<b>529.85</b>	<b>C18-03M</b>	<b>473.65</b>	<b>C18-03AMB</b>	<b>554.85</b>	<b>C18-03MMB</b>	<b>502.20</b>
½"	160	<b>C18-04A</b>	<b>529.85</b>	<b>C18-04M</b>	<b>473.65</b>	<b>C18-04AMB</b>	<b>554.85</b>	<b>C18-04MMB</b>	<b>502.20</b>

## Wilkerson Standard Combination Units

**Features:**

- maximum operating conditions:
  - transparent bowl: **150 PSIG** (10.3 bar) and **32°F to 125°F** (0°C to 52°C)
  - metal bowl: **200 PSIG** (13.8 bar) and **32°F to 175°F** (0°C to 80°C)
- Included components:
  - (2) modular sleeves
  - (2) mounting brackets (sleeve and bracket)
  - (2) end blocks

**Filter series F26:**

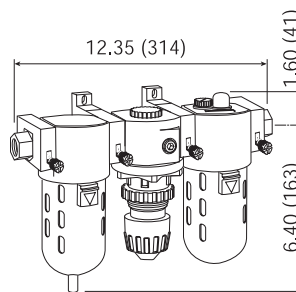
- 5 micron element
- 10 oz. bowl

**Regulator series R26:**

- 0-125 PSI adjusting range
- self-relieving
- supplied with a GC230 gauge

**Lubricator series L26:**

- 10 oz. bowl
- adjustable oil feed
- full view sight dome



with metal bowl

Size	Flow (SCFM)	With Transparent Bowl and Guard				With Metal Bowl			
		Automatic Drain		Manual Drain		Automatic Drain		Manual Drain	
		Part #	Price/E	Part #	Price/E	Part #	Price/E	Part #	Price/E
¼"	35	<b>C26-02A</b>	<b>\$752.50</b>	<b>C26-02M</b>	<b>\$695.70</b>	<b>C26-02AMB</b>	<b>\$789.95</b>	<b>C26-02MMB</b>	<b>\$733.15</b>
⅜"	60	<b>C26-03A</b>	<b>752.50</b>	<b>C26-03M</b>	<b>695.70</b>	<b>C26-03AMB</b>	<b>789.95</b>	<b>C26-03MMB</b>	<b>733.15</b>
½"	128	<b>C26-04A</b>	<b>752.50</b>	<b>C26-04M</b>	<b>695.70</b>	<b>C26-04AMB</b>	<b>789.95</b>	<b>C26-04MMB</b>	<b>733.15</b>



FRL's are designed for air service only, unless otherwise indicated.

SCFM ratings at 150 PSIG inlet pressure.