

Electrically Actuated 2-Piece Stainless Ball Valves



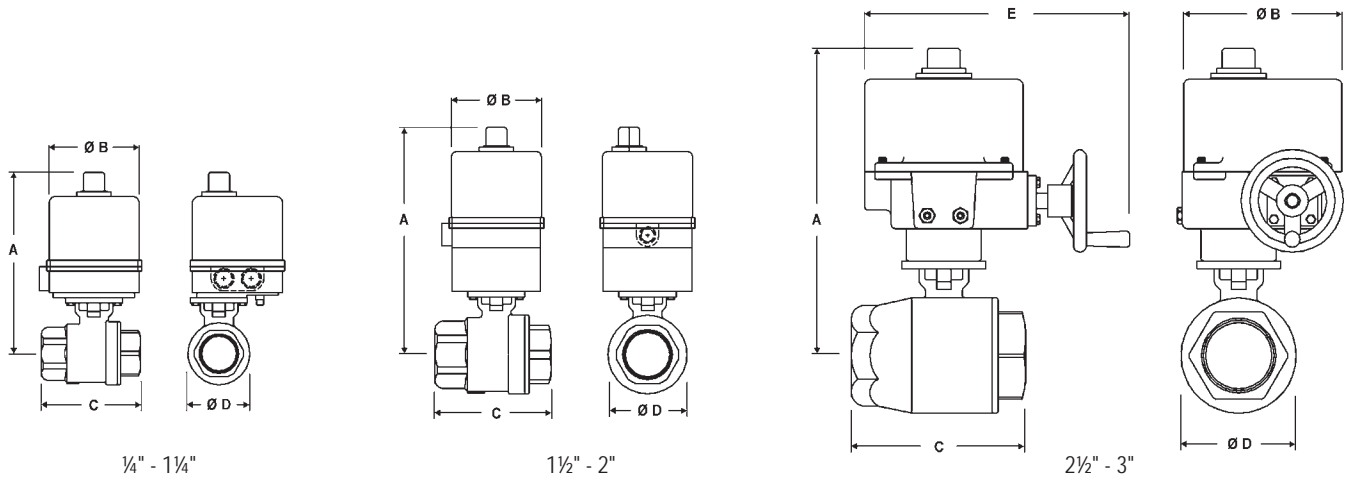
Features:

2-Piece Stainless Ball Valve

- RTFE seats and seals
- blow-out proof stem
- live-loaded stem packing
- ISO 5211 mounting pad
- pressure rating: ¼" - 2" **1000 PSI WOG**, 2½" - 3" **800 PSI WOG**
- temperature range: **-40°F to 450°F**

Electric Actuator

- lightweight powder coated aluminum alloy housing
- NEMA 4/4X waterproof and dustproof
- extended duty cycle induction motor
- high alloy steel gear train
- H-insulation class
- visual position indication
- space heater is standard
- manual override standard: ½" - 1½"
- temperature range: **-41°F to 140°F**
- ISO 9001, CS, CE and CSA-C US Certified
- RoHS compliant



¼" - 1¼"

1½" - 2"

2½" - 3"

Dimensions are approximate.

Engineering dimensions are available upon request. Specifications are subject to change without notice.

Size	Dimensions					Override	316 Stainless Steel Part #	Voltage				
	A	B	C	D	E			110VAC -EA	24VDC -EG	12VDC -ET	220VAC -EK	24VAC -ES
¼"	7.79	4.50	2.56	1.40	NA	standard	BV2HG-02511	\$879.70	\$879.70	\$879.70	\$879.70	\$879.70
⅜"	7.79	4.50	2.56	1.40	NA	standard	BV2HG-03811	897.70	897.70	897.70	897.70	897.70
½"	7.74	4.50	2.95	1.40	NA	standard	BV2HG-05011	903.60	903.60	903.60	903.60	903.60
¾"	7.84	4.50	3.15	1.75	NA	standard	BV2HG-07511	904.15	904.15	904.15	904.15	904.15
1"	8.09	4.50	3.54	1.75	NA	standard	BV2HG-10011	954.20	954.20	954.20	954.20	954.20
1¼"	8.29	4.50	4.33	2.58	NA	standard	BV2HG-12511	998.85	998.85	998.85	998.85	998.85
1½"	8.69	4.50	4.72	2.97	NA	N/A	BV2HG-15011	1083.35	1083.35	1083.35	1083.35	1083.35
2"	11.13	4.50	5.51	2.73	NA	N/A	BV2HG-20011	1548.35	1548.35	1548.35	1548.35	1548.35
2½"	13.72	7.08	7.28	4.68	12.83	handwheel	BV2HG-25011-EP¹	2675.35	---	---	---	---
2½"	10.69	6.06	7.28	4.68	NA	N/A	BV2HG-25011	2675.35	2675.35	2675.35	2675.35	2675.35
3"	13.72	7.08	8.07	5.44	12.83	handwheel	BV2HG-30011	4384.25	4384.25	4384.25	4384.25	4384.25

¹ for 110VAC 2½" with manual override use -EP

A wide variety of options are available: modulating, extra switches, transmitters, potentiometer, etc.
 Contact Dixon Sanitary at 800.789.1718 or visit dixonvalve.com for details.



Caution !



Even though there are torque safety factors built into our automated ball valve packages, actual service conditions must also be considered when selecting the proper product for the appropriate application.
For example: Severe service conditions such as dirty water, dirty air, all slurries, raw sewage water, oils, and other viscous fluids can have a dramatic affect in raising the torque requirements of ball valves as much as 75% and therefore larger actuators may be required.
 Please consult Dixon when dealing with these types of applications.