

Pneumatically Actuated 2-Piece Stainless Ball Valves

Features:

2-Piece Stainless Ball Valve

- RTFE seats and seals
- blow-out proof stem
- live-loaded stem packing
- ISO 5211 mounting pad
- pressure rating: ¼" - 2" **1000 PSI WOG**, 2½" - 3" **800 PSI WOG**
- temperature range: ¼" to 2": **-40°F to 350°F**,
2½" to 3": **-40°F to 325°F**

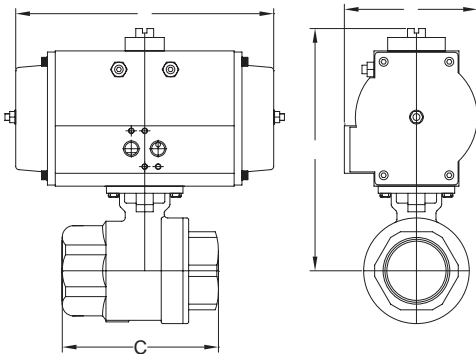
Rack and Pinion Actuator

- hard anodized aluminum body
- nickel plated anti-blowout pinion
- Buna-N O-rings
- NAMUR mounting
- bi-directional stops for $\pm 5^\circ$ travel adjustment
- **80 PSI** plant air required
- visual position indication
- maximum operating pressure: **120 PSI**
- temperature range: **-40°F to 200°F**
- tested to one million cycles



Spring Return (normally closed)

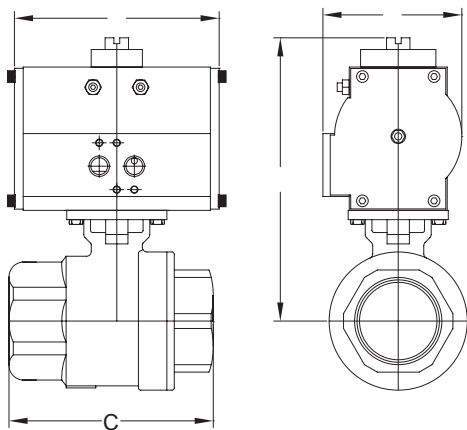
Dimensions are approximate. Engineering dimensions are available upon request. Specifications are subject to change without notice.



Size	Dimensions				316 Stainless Steel	
	A	B	C	D	Part #	Price/E
¼"	5.21	2.80	2.56	5.49	BV2HG-02511-BBC	\$519.80
⅜"	5.21	2.80	2.56	5.49	BV2HG-03811-BBC	524.90
½"	5.16	2.80	2.95	5.49	BV2HG-05011-BBC	550.40
¾"	5.26	2.80	3.15	5.49	BV2HG-07511-BBC	555.25
1"	6.64	3.74	3.54	8.09	BV2HG-10011-BBC	602.20
1¼"	6.84	3.74	4.33	8.09	BV2HG-12511-BBC	646.90
1½"	8.14	4.69	4.72	9.84	BV2HG-15011-BBC	834.10
2"	8.69	4.69	5.51	9.84	BV2HG-20011-BBC	1112.85
2½"	9.54	5.53	7.28	13.98	BV2HG-25011-BBC	1519.95
3"	11.39	7.29	8.07	16.61	BV2HG-30011-BBC	3382.75

Double Acting

Dimensions are approximate. Engineering dimensions are available upon request. Specifications are subject to change without notice.



Size	Dimensions				316 Stainless Steel	
	A	B	C	D	Part #	Price/E
1/4"	4.25	1.77	2.56	4.33	BV2HG-02511-BCC	\$372.45
3/8"	4.25	1.77	2.56	4.33	BV2HG-03811-BCC	355.70
1/2"	4.20	1.77	2.95	4.33	BV2HG-05011-BCC	361.25
3/4"	4.30	1.77	3.15	4.33	BV2HG-07511-BCC	398.95
1"	5.89	3.20	3.54	5.68	BV2HG-10011-BCC	503.90
1¼"	6.09	3.20	4.33	5.68	BV2HG-12511-BCC	548.55
1½"	7.24	3.74	4.72	5.87	BV2HG-15011-BCC	689.20
2"	7.79	3.74	5.51	5.87	BV2HG-20011-BCC	1110.55
2½"	8.75	4.69	7.28	7.20	BV2HG-25011-BCC	1387.70
3"	10.01	5.53	8.07	10.22	BV2HG-30011-BCC	2900.30

A wide variety of switches, solenoids, positioners, etc., are available.
Contact Dixon Sanitary at 800.789.1718 or visit dixonvalve.com for details.



Caution !

Even though there are torque safety factors built into our automated ball valve packages, actual service conditions must also be considered when selecting the proper product for the appropriate application.

For example: Severe service conditions such as dirty water, dirty air, all slurries, raw sewage water, oils, and other viscous fluids can have a dramatic affect in raising the torque requirements of ball valves as much as 75% and therefore larger actuators may be required. Please consult Dixon when dealing with these types of applications.

