

Electrically Actuated Brass Ball Valves



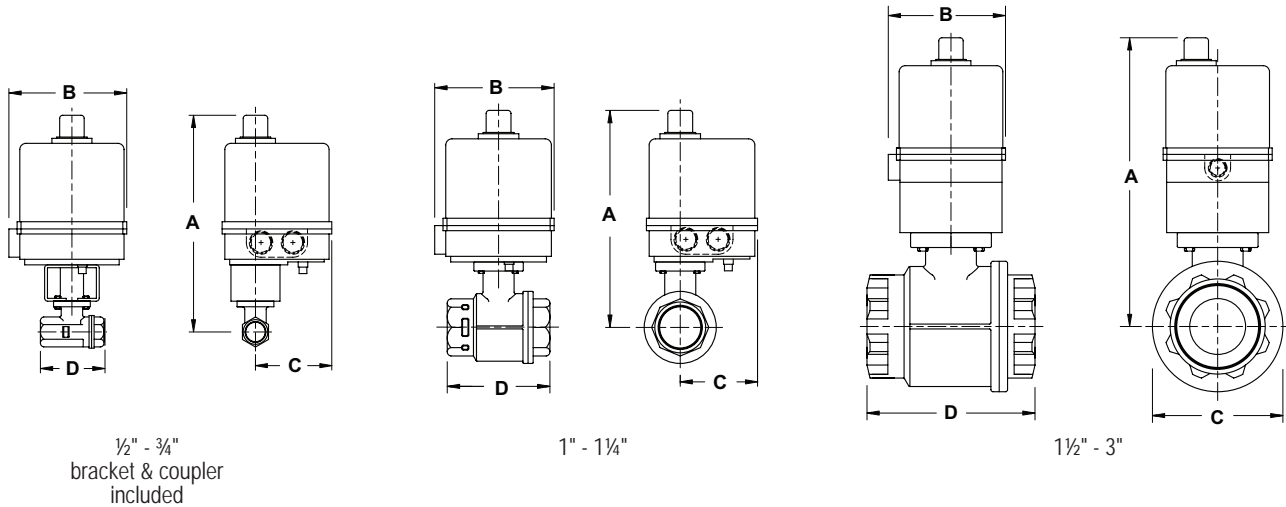
Features:

2-Piece Brass Ball Valve

- brass, body and ball
- FKM elastomers
- blow-out proof brass stem
- PTFE seats with double O-ring stem packing
- ISO 5211 mounting pad
- pressure rating: - **600 PSI WOG**
- **150 PSI WSP**
- maximum temperature: **300°F**

Electric Actuator

- lightweight powder coated aluminum alloy housing
- NEMA 4/4X waterproof and dustproof
- extended duty cycle induction motor
- high alloy steel gear train
- H-insulation class
- visual position indication
- space heater is standard
- manual override standard: ½" - 1½" sizes
- temperature range: **-41°F to 140°F**
- ISO 9001, CS, CE and CSA-C US Certified
- RoHS compliant



Dimensions are approximate.

Engineering dimensions are available upon request. Specifications are subject to change without notice.

Size	Dimensions				Override	Brass Part #	Voltage				
	A	B	C	D			110VAC -EA	24VDC -EG	12VDC -ET	220VAC -EK	24VAC -ES
½"	8.8	4.5	3.1	2.6	standard	BV2BV-05011	\$865.80	\$865.80	\$865.80	\$865.80	\$973.05
¾"	9.2	4.5	3.1	3.0	standard	BV2BV-07511	877.40	877.35	877.35	877.35	984.60
1"	9.4	4.5	3.1	3.4	standard	BV2BV-10011	902.10	925.00	925.00	902.10	1206.85
1¼"	9.5	4.5	3.1	3.7	standard	BV2BV-12511	976.15	976.20	976.20	976.20	1083.40
1½"	8.7	4.5	3.1	4.1	N/A	BV2BV-15011	1322.85	1347.15	1022.40	1758.30	1452.40
2"	9.0	4.5	3.1	4.8	N/A	BV2BV-20011	1379.10	1452.70	1452.70	1860.10	1531.25
3"	11.8	6.1	5.4	6.9	N/A	BV2BV-30011	2508.35	3255.80	3556.70	2463.80	2771.75

A wide variety of options are available: modulating, extra switches, transmitters, potentiometer, etc.
Contact Dixon Sanitary at 800.789.1718 or visit dixonvalve.com for details.



Caution !



Even though there are torque safety factors built into our automated ball valve packages, actual service conditions must also be considered when selecting the proper product for the appropriate application.

For example: Severe service conditions such as dirty water, dirty air, all slurries, raw sewage water, oils, and other viscous fluids can have a dramatic affect in raising the torque requirements of ball valves as much as 75% and therefore larger actuators may be required. Please consult Dixon when dealing with these types of applications.