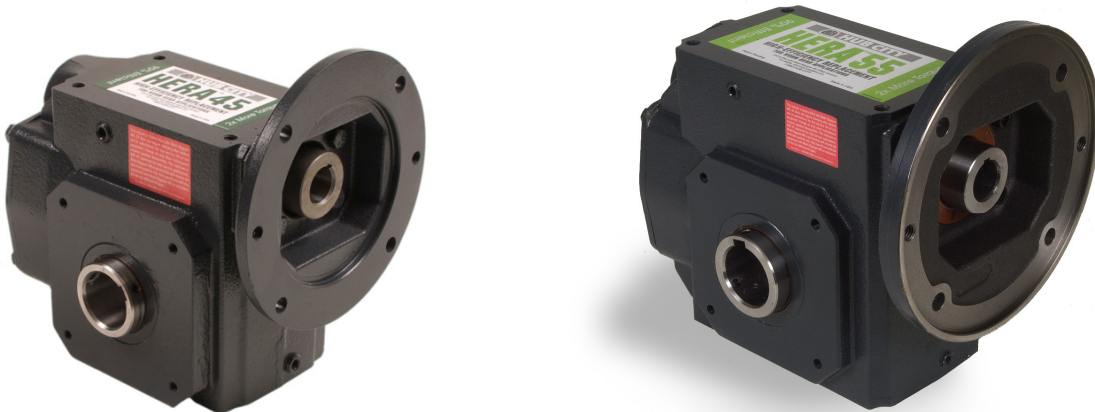




Patent Pending

# Catalog Dimensions



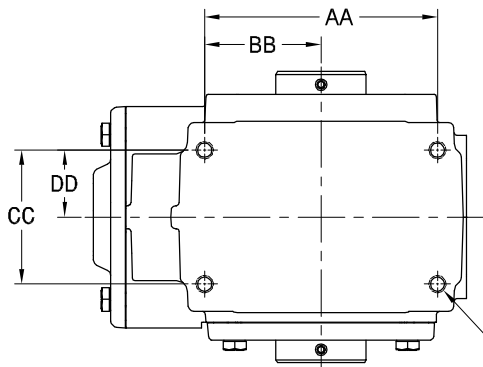
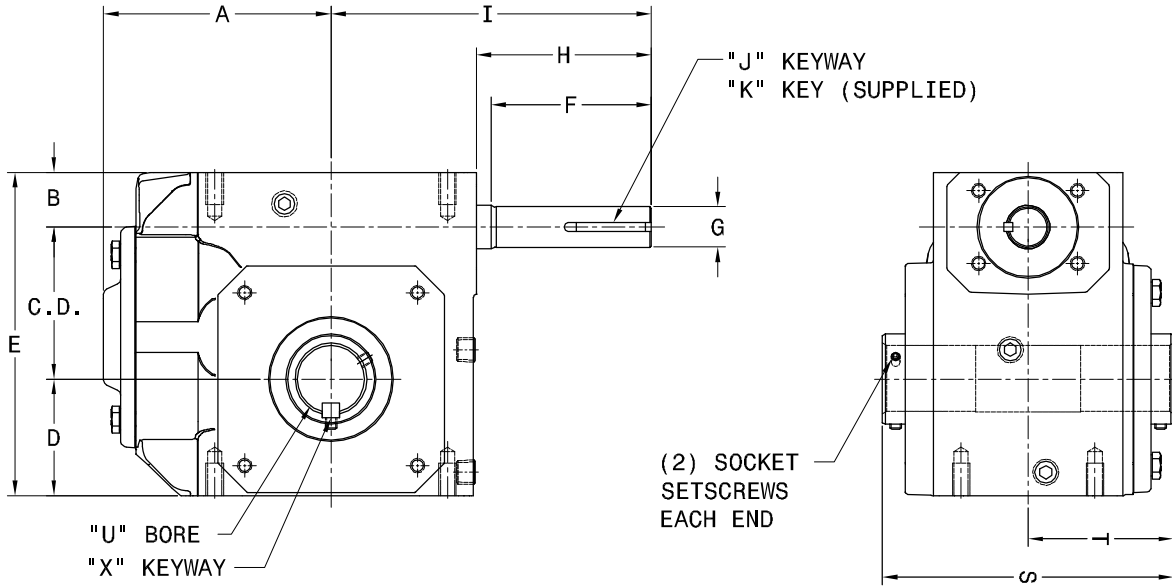
Phone: 605-225-0360 Fax: 605-225-0567

Email: [hubsales@regalbeloit.com](mailto:hubsales@regalbeloit.com)

[www.hubcityinc.com](http://www.hubcityinc.com)

3D Drawings Available for download at [www.hubcityinc.com](http://www.hubcityinc.com)

**Models: Hera35AS, Hera45AS, Hera55AS, & Hera75AS**

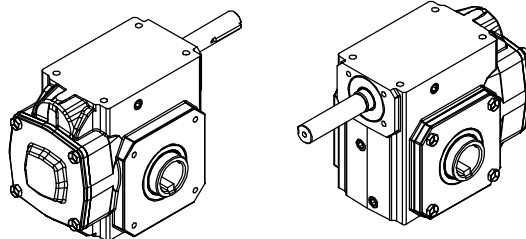


(4) "EE" NC (TOP AND BOTTOM)  
"FF" DEEP TOP  
"GG" DEEP BOTTOM

THESE UNITS CAN BE FURNISHED WITH SOLID OUTPUT SHAFT ON SPECIAL ORDERS.

SHAFT MOUNTED UNITS REQUIRE TORQUE ARMS. TORQUE ARM KITS ARE AVAILABLE.

DIMENSIONS SHOWN ARE FOR REFERENCE ONLY



CONSULT FACTORY FOR VERTICAL SHAFT LUBRICATION RECOMMENDATIONS

**Models: Hera35AS, Hera45AS, Hera55AS, & Hera75AS**

MODEL	C.D.	A	B	D	E	AA	BB	CC	DD	EE	FF	GG
Hera35AS	2.509	4.25	1.178	2.062	5.750	4.188	2.094	2.750	1.375	5/16 UNC	.63	.63
Hera45AS	3.263	4.88	1.175	2.500	6.938	5.000	2.500	2.875	1.438	3/8 UNC	.69	.69
Hera55AS	3.675	6.15	2.200	3.500	9.375	7.500	3.750	4.000	2.000	7/16 UNC	.88	.88
Hera75AS	4.287	8.36	2.650	4.438	11.375	8.500	4.250	5.000	2.500	5/8 UNC	1.00	1.00

MODEL	SIZE REF.	F	G	H	I	J	K	Wt. Lbs.
Hera35AS	18	1.56	.6245 / .6235	1.94	4.88	3/16 X 3/32	3/16 SQ X 1-1/4	TBD
	21	1.81		2.19	5.13		3/16 SQ X 1-1/2	
	24	2.00	.7495 / .7485	2.38	5.31			
Hera45AS	24	2.00	.7495 / .7485	2.38	5.50	3/16 X 3/32	3/16 SQ X 1-1/2	38
	26	2.81		3.19	6.31			
	30	3.44	.8745 / .8735	3.76	6.88			
	32	4.00		4.32	7.44			
Hera55AS	32	2.07	.8745 / .8735	2.38	6.75	3/16 X 3/32	3/16 SQ X 1-1/2	74
	38	3.70	.9995 / .9985	4.01	8.38	1/4 X 1/8	1/4 SQ X 2-1/4	
	42	4.88	1.2495 / 1.2485	5.19	9.56			
Hera75AS	32	2.07	.8745 / .8735	2.38	7.63	3/16 X 3/32	3/16 SQ X 1-1/2	161
	42	4.00	1.2495 / 1.2485	4.31	9.56	1/4 X 1/8	1/4 SQ X 2-1/4	
	52	5.00		5.44	10.69		1/4 SQ X 3	

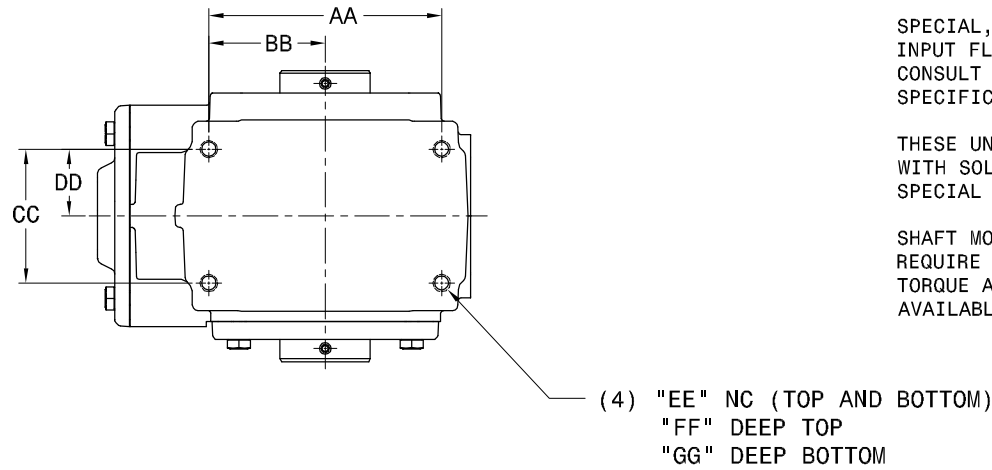
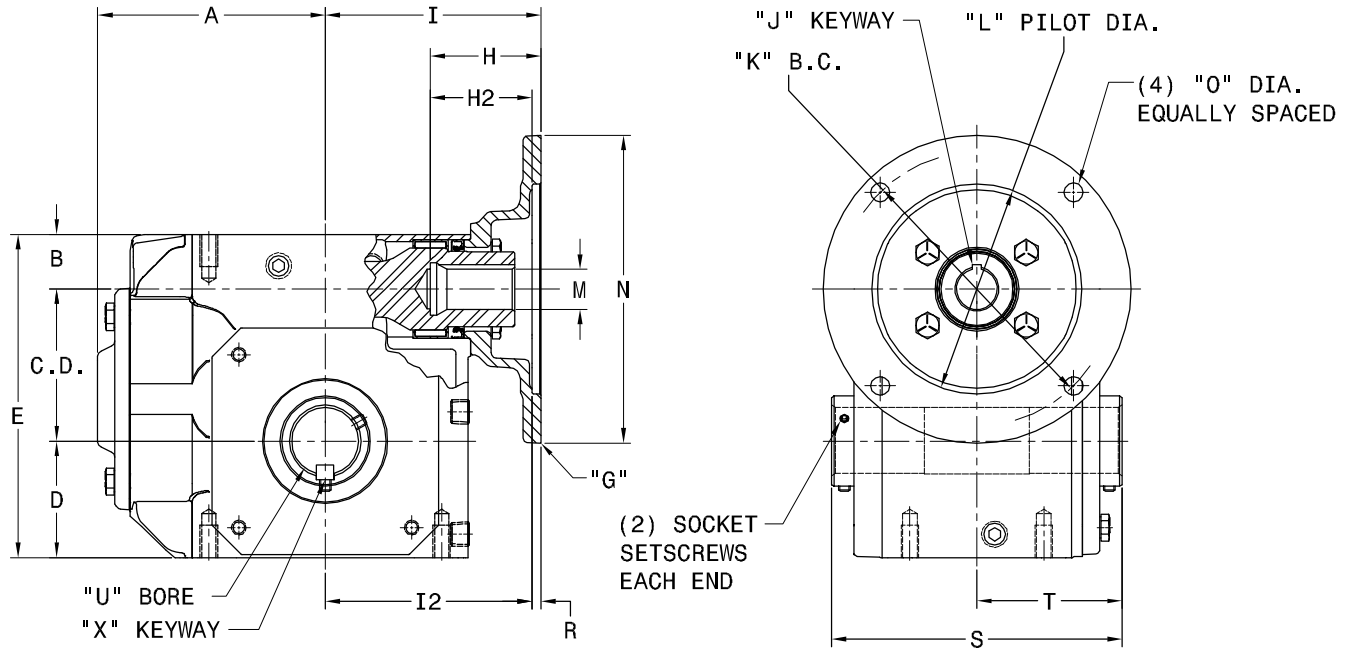
**Stock Bores**

MODEL	S	T	U	X	Key Furnished
Hera35AS	5.50	2.75	3/4	3/16 X 3/32	3/16 Sq.
			7/8	3/16 X 3/32	3/16 Sq.
			1	1/4 X 1/8	1/4 Sq.
			1-1/8	1/4 X 1/8	1/4 Sq.
			1-3/16	1/4 X 1/8	1/4 Sq.
			1-1/4	1/4 X 1/8	1/4 Sq.
			1-7/16	3/8 X 1/8	3/8 X 5/16
Hera45AS	6.25	3.13	1	1/4 X 1/8	1/4 Sq.
			1-1/8	1/4 X 1/8	1/4 Sq.
			1-3/16	1/4 X 1/8	1/4 Sq.
			1-1/4	1/4 X 1/8	1/4 Sq.
			1-7/16	3/8 X 1/8	3/8 X 5/16
Hera55AS	7.50	3.75	1-1/2	3/8 X 1/8	3/8 X 5/16
			1-3/16	1/4 X 1/8	1/4 Sq.
			1-1/4	1/4 X 1/8	1/4 Sq.
			1-7/16	3/8 X 3/16	3/8 Sq.
			1-1/2	3/8 X 3/16	3/8 Sq.
			1-5/8	3/8 X 3/16	3/8 Sq.
			1-11/16	3/8 X 3/16	3/8 Sq.
			1-3/4	3/8 X 3/16	3/8 Sq.
			1-7/8	1/2 X 1/4	1/2 Sq.
			1-15/16	1/2 X 3/16	1/2 X 7/16
			2	1/2 X 3/16	1/2 X 7/16
2-3/16	1/2 X 1/8	1/2 X 3/8			

MODEL	S	T	U	X	Key Furnished
Hera75AS	9.50	4.75	1-7/16	3/8 X 3/16	3/8 Sq.
			1-1/2	3/8 X 3/16	3/8 Sq.
			1-15/16	1/2 X 1/4	1/2 Sq.
			2	1/2 X 1/4	1/2 Sq.
			2-3/16	1/2 X 1/4	1/2 Sq.
			2-7/16	5/8 X 5/16	5/8 Sq.
			3	3/4 X 3/8	3/4 Sq.
			3-7/16	7/8 X 1/4	7/8 X 11/16

BORE TOLERANCE NOMINAL + .0025

**Models: Hera35ES, Hera45ES, Hera55ES, & Hera75ES**

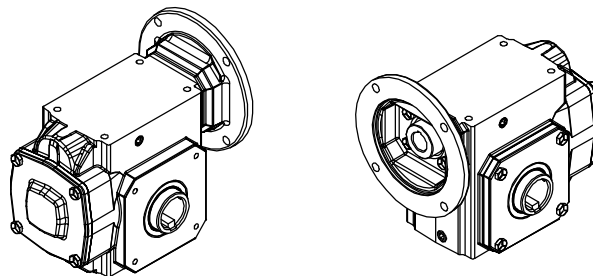


SPECIAL, METRIC AND SAE HYDRAULIC INPUT FLANGES AVAILABLE. CONSULT FACTORY FOR COMPLETE SPECIFICATIONS.

THESE UNITS CAN BE FURNISHED WITH SOLID OUTPUT SHAFT ON SPECIAL ORDERS.

SHAFT MOUNTED UNITS REQUIRE TORQUE ARMS. TORQUE ARM KITS ARE AVAILABLE.

DIMENSIONS SHOWN ARE FOR REFERENCE ONLY



CONSULT FACTORY FOR VERTICAL SHAFT LUBRICATION RECOMMENDATIONS

**Models: Hera35ES, Hera45ES, Hera55ES, & Hera75ES**

MODEL	C.D.	A	B	D	E	AA	BB	CC	DD	EE	FF	GG
Hera35ES	2.509	4.25	1.178	2.062	5.750	4.188	2.094	2.750	1.375	5/16 UNC	.63	.63
Hera45ES	3.263	4.88	1.175	2.500	6.938	5.000	2.500	2.875	1.438	3/8 UNC	.69	.69
Hera55ES	3.675	6.15	2.200	3.500	9.375	7.500	3.750	4.000	2.000	7/16 UNC	.88	.88
Hera75ES	4.287	8.36	2.650	4.438	11.375	8.500	4.250	5.000	2.500	5/8 UNC	1.00	1.00

MODEL	G	H	H2	I	I2	J	K	L	M	N	O	R	Wt. Lbs.
Hera35ES	56C	2.27	N/A	4.44	N/A	3/16 X 3/32	5.875	4.501/4.503	.625	6.61	13/32	.188	TBD
	143TC	2.38							.875				
Hera45ES	56C	2.27	N/A	4.63	N/A	3/16 X 3/32	5.875	4.501/4.503	.625	6.61	13/32	.188	42
	143TC	2.38							.875				
	182TC	N/A	2.89	N/A	5.06	1/4 X 1/8	7.250	8.501/8.503	1.125	9.00	17/32	.188	48
Hera55ES	56C	2.27	N/A	5.57	N/A	3/16 X 3/32	5.875	4.501/4.503	.625	6.63	13/32	.188	81
	143TC	2.38							.875				
	182TC		2.89	N/A	6.33	1/4 X 1/8	7.250	8.501/8.503	1.125	9.00	17/32	.188	88
	213TC	N/A	3.63			5/16 X 5/32			1.375				
	256TC		3.88			3/8 X 3/16			1.625				
Hera75ES	56C	2.27	N/A	6.45	N/A	3/16 X 3/32	5.875	4.501/4.503	.625	6.63	13/32	.188	164
	143TC	2.38							.875				
	182TC		2.89	N/A	7.21	1/4 X 1/8	7.250	8.501/8.503	1.125	9.00	17/32	.188	171
	213TC	N/A	3.63			5/16 X 5/32			1.375				
	256TC		3.88			3/8 X 3/16			1.625				

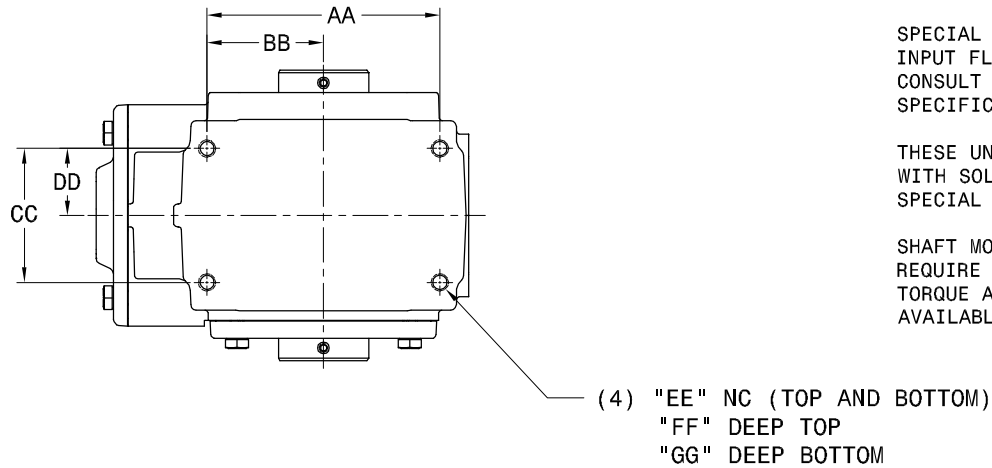
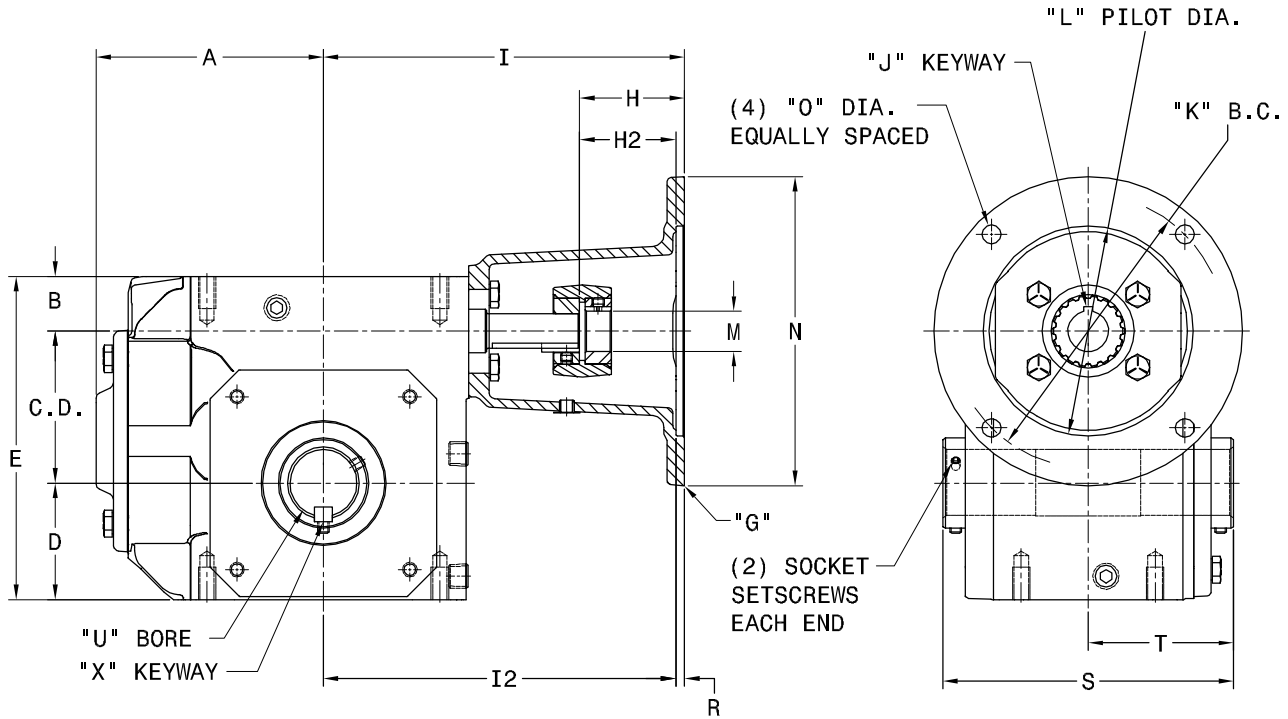
**Stock Bores**

MODEL	S	T	U	X	Key Furnished
Hera35ES	5.50	2.75	3/4	3/16 X 3/32	3/16 Sq.
			7/8	3/16 X 3/32	3/16 Sq.
			1	1/4 X 1/8	1/4 Sq.
			1-1/8	1/4 X 1/8	1/4 Sq.
			1-3/16	1/4 X 1/8	1/4 Sq.
			1-1/4	1/4 X 1/8	1/4 Sq.
			1-7/16	3/8 X 1/8	3/8 X 5/16
Hera45ES	6.25	3.13	1	1/4 X 1/8	1/4 Sq.
			1-1/8	1/4 X 1/8	1/4 Sq.
			1-3/16	1/4 X 1/8	1/4 Sq.
			1-1/4	1/4 X 1/8	1/4 Sq.
			1-7/16	3/8 X 1/8	3/8 X 5/16
			1-1/2	3/8 X 1/8	3/8 X 5/16
Hera55ES	7.50	3.75	1-3/16	1/4 X 1/8	1/4 Sq.
			1-1/4	1/4 X 1/8	1/4 Sq.
			1-7/16	3/8 X 3/16	3/8 Sq.
			1-1/2	3/8 X 3/16	3/8 Sq.
			1-5/8	3/8 X 3/16	3/8 Sq.
			1-11/16	3/8 X 3/16	3/8 Sq.
			1-3/4	3/8 X 3/16	3/8 Sq.
			1-7/8	1/2 X 1/4	1/2 Sq.
			1-15/16	1/2 X 3/16	1/2 X 7/16
			2	1/2 X 3/16	1/2 X 7/16
2-3/16	1/2 X 1/8	1/2 X 3/8			

MODEL	S	T	U	X	Key Furnished
Hera75ES	9.50	4.75	1-7/16	3/8 X 3/16	3/8 Sq.
			1-1/2	3/8 X 3/16	3/8 Sq.
			1-15/16	1/2 X 1/4	1/2 Sq.
			2	1/2 X 1/4	1/2 Sq.
			2-3/16	1/2 X 1/4	1/2 Sq.
			2-7/16	5/8 X 5/16	5/8 Sq.
			3	3/4 X 3/8	3/4 Sq.
			3-7/16	7/8 X 1/4	7/8 X 11/16

BORE TOLERANCE NOMINAL + .0025

**Models: Hera35PS, Hera45PS, Hera55PS, & Hera75PS**

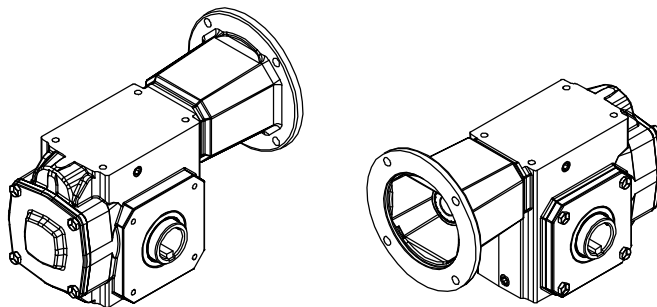


SPECIAL AND METRIC INPUT FLANGES AVAILABLE. CONSULT FACTORY FOR COMPLETE SPECIFICATIONS.

THESE UNITS CAN BE FURNISHED WITH SOLID OUTPUT SHAFT ON SPECIAL ORDERS.

SHAFT MOUNTED UNITS REQUIRE TORQUE ARMS. TORQUE ARM KITS ARE AVAILABLE.

DIMENSIONS SHOWN ARE FOR REFERENCE ONLY



CONSULT FACTORY FOR VERTICAL SHAFT LUBRICATION RECOMMENDATIONS

**Models: Hera35PS, Hera45PS, Hera55PS, & Hera75PS**

MODEL	C.D.	A	B	D	E	AA	BB	CC	DD	EE	FF	GG
Hera35PS	2.509	4.25	1.178	2.062	5.750	4.188	2.094	2.750	1.375	5/16 UNC	.63	.63
Hera45PS	3.263	4.88	1.175	2.500	6.938	5.000	2.500	2.875	1.438	3/8 UNC	.69	.69
Hera55PS	3.675	6.15	2.200	3.500	9.375	7.500	3.750	4.000	2.000	7/16 UNC	.88	.88
Hera75PS	4.287	8.36	2.650	4.438	11.375	8.500	4.250	5.000	2.500	5/8 UNC	1.00	1.00

MODEL	G	H	H2	I	I2	J	K	L	M	N	O	R	Wt. Lbs.
Hera35PS	56C	2.25	N/A	7.57	N/A	3/16 X 3/32	5.875	4.501/4.503	.625	6.63	13/32	.188	TBD
	.875												
Hera45PS	56C	2.25	N/A	7.76	N/A	3/16 X 3/32	5.875	4.501/4.503	.625	6.63	13/32	.188	44
	143TC								.875				
	182TC	N/A	3.25	N/A	8.76	1/4 X 1/8	7.250	8.501/8.503	1.125	9.00	17/32	.188	54
Hera55PS	56C	2.25	N/A	9.00	N/A	3/16 X 3/32	5.875	4.501/4.503	.625	6.50	13/32	.188	83
	143TC								.875				
	182TC	N/A	3.25	N/A	10.00	1/4 X 1/8	7.250	8.501/8.503	1.125	9.00	17/32	.188	91
	213TC					5/16 X 5/32			1.375				
Hera75PS	56C	2.25	N/A	9.88	N/A	3/16 X 3/32	5.875	4.501/4.503	.625	6.50	13/32	.188	169
	143TC								.875				
	182TC	N/A	3.25	N/A	10.88	1/4 X 1/8	7.250	8.501/8.503	1.125	9.00	17/32	.188	178
	213TC					5/16 X 5/32			1.375				

**Stock Bores**

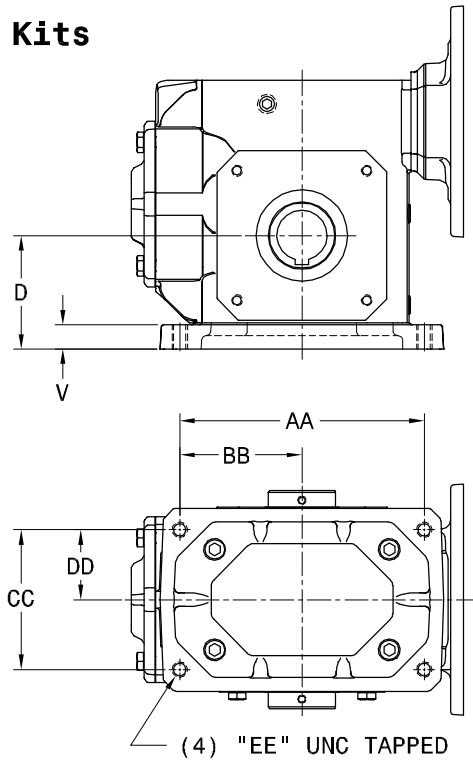
MODEL	S	T	U	X	Key Furnished
Hera35PS	5.50	2.75	3/4	3/16 X 3/32	3/16 Sq.
			7/8	3/16 X 3/32	3/16 Sq.
			1	1/4 X 1/8	1/4 Sq.
			1-1/8	1/4 X 1/8	1/4 Sq.
			1-3/16	1/4 X 1/8	1/4 Sq.
			1-1/4	1/4 X 1/8	1/4 Sq.
			1-7/16	3/8 X 1/8	3/8 X 5/16
Hera45PS	6.25	3.13	1	1/4 X 1/8	1/4 Sq.
			1-1/8	1/4 X 1/8	1/4 Sq.
			1-3/16	1/4 X 1/8	1/4 Sq.
			1-1/4	1/4 X 1/8	1/4 Sq.
			1-7/16	3/8 X 1/8	3/8 X 5/16
			1-1/2	3/8 X 1/8	3/8 X 5/16
Hera55PS	7.50	3.75	1-3/16	1/4 X 1/8	1/4 Sq.
			1-1/4	1/4 X 1/8	1/4 Sq.
			1-7/16	3/8 X 3/16	3/8 Sq.
			1-1/2	3/8 X 3/16	3/8 Sq.
			1-5/8	3/8 X 3/16	3/8 Sq.
			1-11/16	3/8 X 3/16	3/8 Sq.
			1-3/4	3/8 X 3/16	3/8 Sq.
			1-7/8	1/2 X 1/4	1/2 Sq.
			1-15/16	1/2 X 3/16	1/2 X 7/16
			2	1/2 X 3/16	1/2 X 7/16
			2-3/16	1/2 X 1/8	1/2 X 3/8

MODEL	S	T	U	X	Key Furnished
Hera75PS	9.50	4.75	1-7/16	3/8 X 3/16	3/8 Sq.
			1-1/2	3/8 X 3/16	3/8 Sq.
			1-15/16	1/2 X 1/4	1/2 Sq.
			2	1/2 X 1/4	1/2 Sq.
			2-3/16	1/2 X 1/4	1/2 Sq.
			2-7/16	5/8 X 5/16	5/8 Sq.
			3	3/4 X 3/8	3/4 Sq.
			3-7/16	7/8 X 1/4	7/8 X 11/16

BORE TOLERANCE NOMINAL + .0025

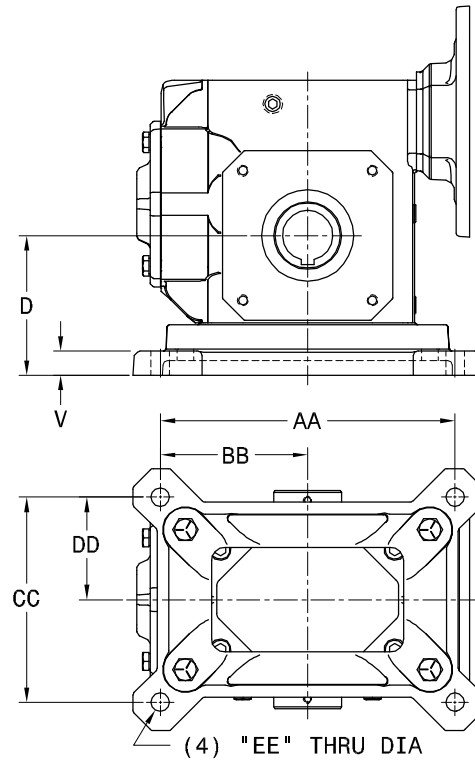
HUB CITY HIGH EFFICIENCY HELICAL HYPOID ACCESSORIES

**Base Kits**



**B-Base**

Hera B-bases provide a drop-in mounting solution when replacing comparable rated worm gear reducers.



**T-Base**

Hera T-bases provide a drop-in mounting solution when replacing comparable rated worm gear reducers that also are utilizing a horizontal mounting base.

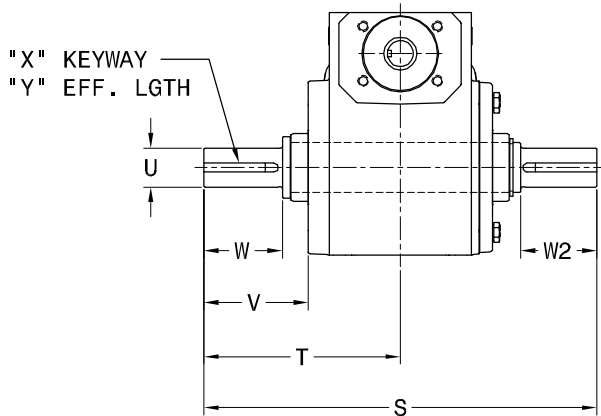
SERIES	B-BASE KIT NO.	Shipping WT. LBS.	Size Ref.	D	V	AA	BB	CC	DD	EE
Hera35	0259-00130	TBD	21	2.281	.22	5.00	2.50	2.88	1.44	3/8 UNC
	0259-00131	TBD	24	2.500	.44	5.00	2.50	2.88	1.44	3/8 UNC
Hera45	0259-00082	2.5	26	2.938	.38	6.38	3.19	3.38	1.69	3/8 UNC
	0259-00083	4.3	30	3.250	.69	7.00	3.50	4.00	2.00	7/16 UNC
	0259-00084	5.0	32	3.500	.88	7.50	3.75	4.00	2.00	7/16 UNC
Hera55	0259-00112	4.0	38	3.875	.38	8.50	4.25	4.75	2.38	1/2 UNC
	0259-00113	7.5	42	4.438	.88	8.50	4.25	5.00	2.50	5/8 UNC
Hera75	0259-00150	12.4	52	5.313	.79	11.00	5.50	5.81	2.91	5/8 UNC
	0259-00162	20.8	60	6.500	1.50	12.75	6.38	6.38	3.19	5/8 UNC

SERIES	T-BASE KIT NO.	Shipping WT. LBS.	Size Ref.	D	V	AA	BB	CC	DD	EE
Hera35	0259-00132	TBD	18	2.750	.63	5.75	2.88	4.50	2.25	.41
	0259-00133	TBD	21	3.000	.66	6.38	3.19	4.69	2.34	.47
	0259-00134	TBD	24	3.250	.69	7.06	3.53	4.88	2.44	.47
Hera45	0229-03062	6.0	24	3.250	.69	7.06	3.53	4.88	2.44	.47
	0259-00085	7.0	26	3.688	.69	8.00	4.00	5.25	2.63	.53
	0259-00086	9.5	30	4.000	.69	8.44	4.22	5.88	2.94	.53
	0259-00087	11.5	32	4.375	.81	9.50	4.75	6.13	3.06	.53
Hera55	0259-00114	6.5	32	4.375	.81	9.50	4.75	6.13	3.06	.53
	0259-00115	12.5	38	4.812	.88	10.38	5.19	7.00	3.50	.59
	0259-00116	19.0	42	5.438	.94	11.13	5.56	7.63	3.81	.66
Hera75	0259-00151	12.2	42	5.438	.94	11.13	5.56	7.63	3.81	.66
	0259-00152	27.3	52	6.438	1.06	14.13	7.06	8.38	4.19	.78
	0259-00163	52.1	60	7.750	1.12	16.50	8.25	9.50	4.75	.91

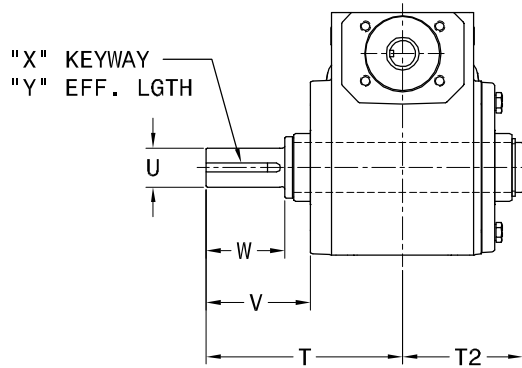
DIMENSIONS SHOWN ARE FOR REFERENCE ONLY



**Plug-In Shaft Kits**



**Double Extended**



**Single Extended**

Note: Single Extended Kit can be installed so shaft extension will protrude from either side.

SERIES	STOCK BORE REQUIRED
Hera35	1.438
Hera45	1.438
Hera55	1.938
Hera75	2.438

**Double Extended**

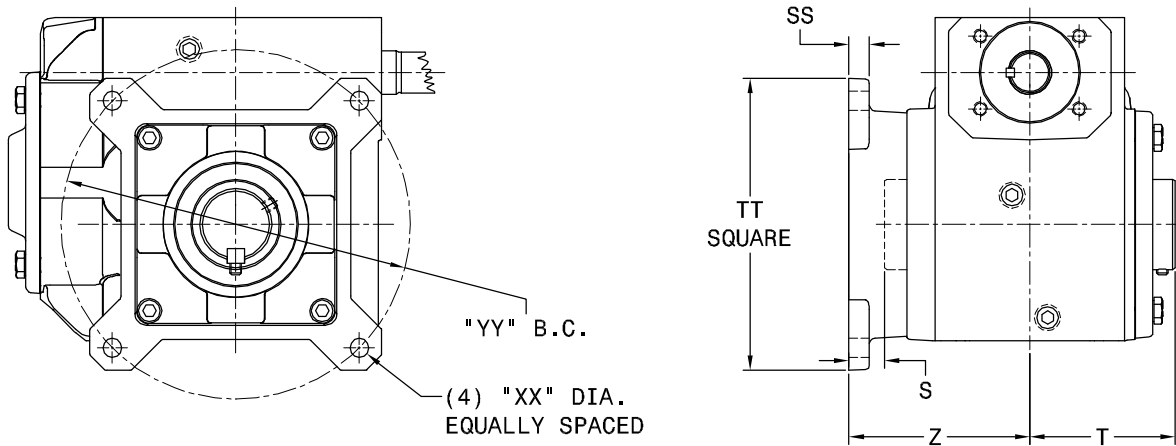
SERIES	KIT NO.	Shipping WT. LBS.	S	T	U	V	W	W2	X	Y	(2) KEYS FURNISHED
Hera35	0259-00135	TBD	8.62	4.31	.875	2.05	1.38	1.34	3/16 x 3/32	1.13	3/16 SQ X 1-1/8
	0259-00137	TBD	9.38	4.69	1.000	2.43	1.76	1.72	1/4 X 1/8	1.50	1/4 SQ X 1-1/2
	0259-00139	TBD	10.28	5.14	1.125	2.88	2.21	2.17	1/4 X 1/8	1.75	1/4 SQ X 1-3/4
Hera45	0259-00092	5.2	10.28	5.14	1.125	2.50	1.77	1.69	1/4 X 1/8	1.50	1/4 SQ X 1-1/2
	0259-00094	5.7	11.25	5.63	1.125	2.99	2.25	2.18	1/4 X 1/8	2.00	1/4 SQ X 1-3/4
	0259-00096	6.6	13.50	6.75	1.250	4.11	3.38	3.30	1/4 X 1/8	2.25	1/4 SQ X 2-1/4
Hera55	0259-00098	7.3	14.12	7.06	1.375	4.42	3.69	3.64	5/16 X 5/32	2.50	5/16 SQ X 2-3/8
	0259-00117	10.0	14.12	7.06	1.375	3.91	3.06	3.00	5/16 X 5/32	2.50	5/16 SQ X 2-3/8
	0259-00119	11.8	15.50	7.75	1.625	4.60	3.75	3.69	3/8 X 3/16	2.81	3/8 SQ X 2-1/2
Hera75	0259-00121	13.8	16.24	8.12	1.875	4.97	4.12	4.03	1/2 X 1/4	3.31	1/2 SQ X 3-1/4
	0259-00153	20.2	16.24	8.12	1.875	4.00	3.06	3.00	1/2 X 1/4	2.56	1/2 SQ X 2-1/2
	0259-00155	22.6	18.12	9.06	2.000	4.94	4.00	3.94	1/2 X 1/4	3.56	1/2 SQ X 3-1/2
	0259-00164	26.6	20.00	10.00	2.250	5.88	4.94	4.88	1/2 X 1/4	3.56	1/2 SQ X 3-1/2

**Single Extended**

SERIES	KIT NO.	Shipping WT. LBS.	T	T2	U	V	W	X	Y	KEY FURNISHED
Hera35	0259-00136	TBD	4.31	2.97	.875	2.05	1.38	3/16 x 3/32	1.13	3/16 SQ X 1-1/8
	0259-00138	TBD	4.69	2.97	1.000	2.43	1.76	1/4 X 1/8	1.50	1/4 SQ X 1-1/2
	0259-00140	TBD	5.14	2.97	1.125	2.88	2.21	1/4 X 1/8	1.75	1/4 SQ X 1-3/4
Hera45	0259-00093	4.7	5.14	3.45	1.125	2.50	1.77	1/4 X 1/8	1.50	1/4 SQ X 1-1/2
	0259-00095	4.8	5.63	3.44	1.125	2.99	2.25	1/4 X 1/8	2.00	1/4 SQ X 1-3/4
	0259-00097	5.4	6.75	3.45	1.250	4.11	3.38	1/4 X 1/8	2.25	1/4 SQ X 2-1/4
Hera55	0259-00099	5.8	7.06	3.45	1.375	4.42	3.69	5/16 X 5/32	2.50	5/16 SQ X 2-3/8
	0259-00118	8.7	7.06	4.06	1.375	3.91	3.06	5/16 X 5/32	2.50	5/16 SQ X 2-3/8
	0259-00120	9.6	7.75	4.06	1.625	4.60	3.75	3/8 X 3/16	2.81	3/8 SQ X 2-1/2
Hera75	0259-00122	10.7	8.12	4.06	1.875	4.97	4.12	1/2 X 1/4	3.31	1/2 SQ X 3-1/4
	0259-00154	17.8	8.12	5.12	1.875	4.00	3.06	1/2 X 1/4	2.56	1/2 SQ X 2-1/2
	0259-00156	19.0	9.06	5.12	2.000	4.94	4.00	1/2 X 1/4	3.56	1/2 SQ X 3-1/2
	0259-00165	21.0	10.00	5.12	2.250	5.88	4.94	1/2 X 1/4	3.56	1/2 SQ X 3-1/2

DIMENSIONS SHOWN ARE FOR REFERENCE ONLY

### F-Flange Kits



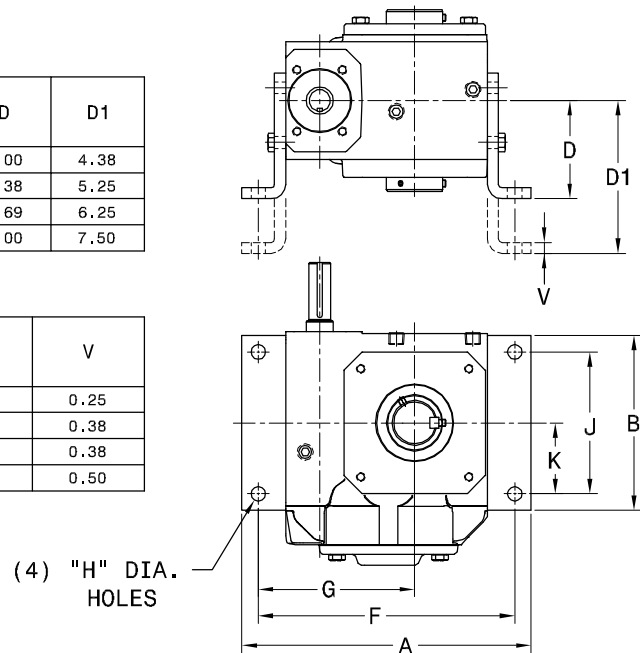
Note: Flange Kit can be installed on either side.

SERIES	F-FLANGE KIT NO.	Shipping WT. LBS.	Size Ref.	S	T	Z	SS	TT	XX	YY
Hera35	0259-00141	TBD	18	0.44	2.75	3.19	.38	5.00	0.34	5.88
	0259-00142	TBD	21	0.81	2.75	3.56	.44	6.00	0.41	7.00
	0259-00143	TBD	24	0.75	2.75	3.50	.44	6.27	0.41	7.50
Hera45	0259-00088	TBD	24	0.76	3.13	3.88	0.44	6.27	0.41	7.50
	0259-00089	TBD	26	0.31	3.13	3.44	0.50	6.67	0.41	8.00
	0259-00090	TBD	30	0.15	3.13	3.28	0.50	7.37	0.41	9.00
Hera55	0259-00123	TBD	32	0.04	3.75	3.79	0.50	7.37	0.41	9.00
	0259-00124	TBD	42	0.34	3.75	4.09	0.62	9.65	0.56	11.50
Hera75	0259-00157	TBD	42	0.31	4.75	5.06	0.62	9.65	0.56	11.50
	0259-00158	TBD	52	0.71	4.75	5.46	0.75	11.75	0.69	14.00
	0259-00166	TBD	60	1.82	4.75	6.57	0.75	SPEC	0.69	15.63

### Vertical Base Kits

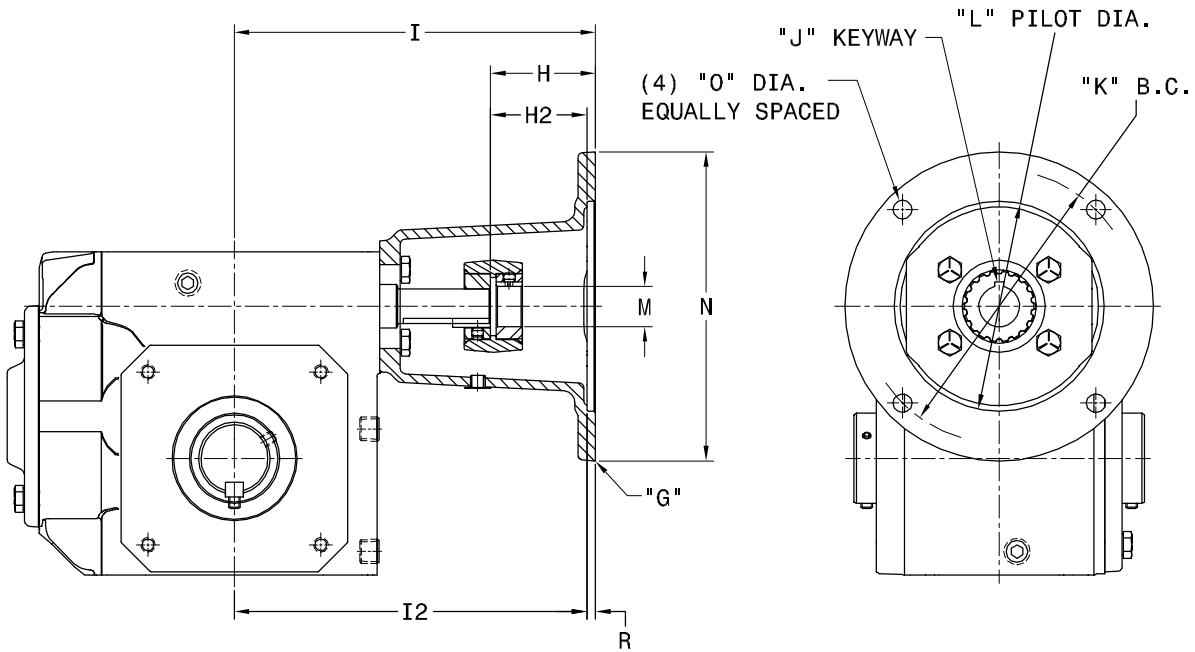
SERIES	VERTICAL BASE KIT NO.	Shipping WT. LBS.	A	B	D	D1
Hera35	0259-00159	TBD	8.25	5.00	3.00	4.38
Hera45	0259-00106	TBD	9.94	6.00	3.38	5.25
Hera55	0259-00160	TBD	13.00	9.00	4.69	6.25
Hera75	0259-00161	TBD	16.26	10.00	5.00	7.50

SERIES	F	G	H	J	K	V
Hera35	7.37	4.50	0.44	4.00	2.00	0.25
Hera45	8.81	5.38	0.50	4.88	2.44	0.38
Hera55	11.88	7.13	0.56	6.13	3.06	0.38
Hera75	14.88	8.69	0.69	7.88	3.94	0.50



DIMENSIONS SHOWN ARE FOR REFERENCE ONLY

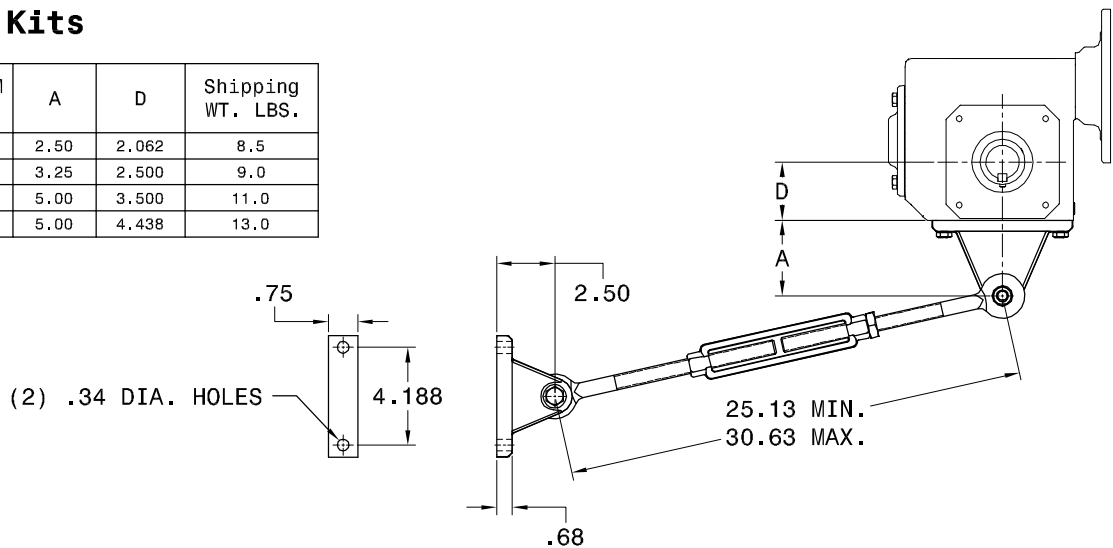
### Nema "C" Flange Adaptor Kits



SERIES	C-FLANGE KIT NO.	Wt. Lbs.	G	H	H2	I	I2	J	K	L	M	N	O	R
Hera35	0259-00079	TBD	56C	2.25	N/A	7.57	N/A	3/16 X 3/32	5.875	4.501/4.503	.625	6.63	13/32	.188
	0259-00080	TBD	143TC								.875			
Hera45	0259-00079	TBD	56C	2.25	N/A	7.76	N/A	3/16 X 3/32	5.875	4.501/4.503	.625	6.63	13/32	.188
	0259-00080	TBD	143TC								.875			
	0259-00081	TBD	182TC	N/A	3.25	N/A	8.76	1/4 X 1/8	7.250	8.501/8.503	1.125	9.00	17/32	.188
Hera55	0259-00108	TBD	56C	2.25	N/A	9.00	N/A	3/16 X 3/32	5.875	4.501/4.503	.625	6.50	13/32	.188
	0259-00109	TBD	143TC								.875			
	0259-00110	TBD	182TC	N/A	3.25	N/A	10.00	1/4 X 1/8	7.250	8.501/8.503	1.125	9.00	17/32	.188
	0259-00111	TBD	213TC					5/16 X 5/32			1.375			
Hera75	0259-00108	TBD	56C	2.25	N/A	9.88	N/A	3/16 X 3/32	5.875	4.501/4.503	.625	6.63	13/32	.188
	0259-00109	TBD	143TC								.875			
	0259-00110	TBD	182TC	N/A	3.34	N/A	10.88	1/4 X 1/8	7.250	8.501/8.503	1.125	9.00	17/32	.188
	0259-00111	TBD	213TC					5/16 X 5/32			1.375			

### Torque Arm Kits

SERIES	TORQUE ARM KIT NO.	A	D	Shipping WT. LBS.
Hera35	0259-00125	2.50	2.062	8.5
Hera45	0259-00078	3.25	2.500	9.0
Hera55	0259-00107	5.00	3.500	11.0
Hera75	0259-00144	5.00	4.438	13.0



DIMENSIONS SHOWN ARE FOR REFERENCE ONLY