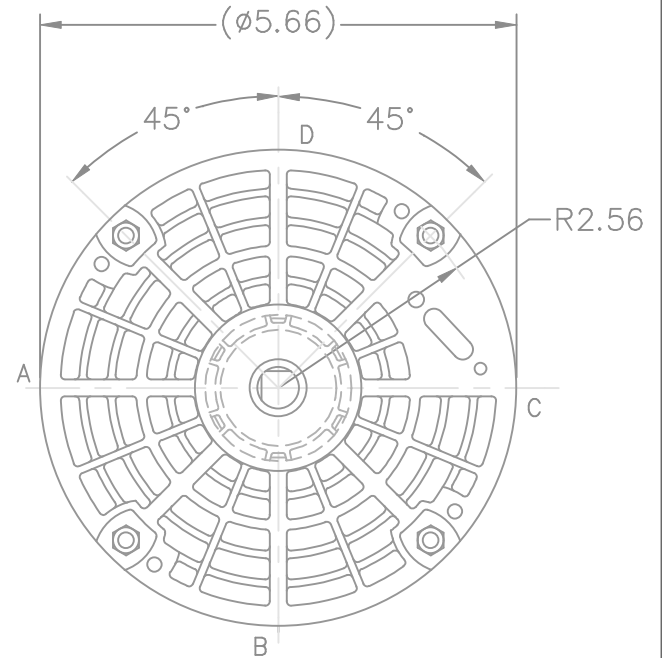
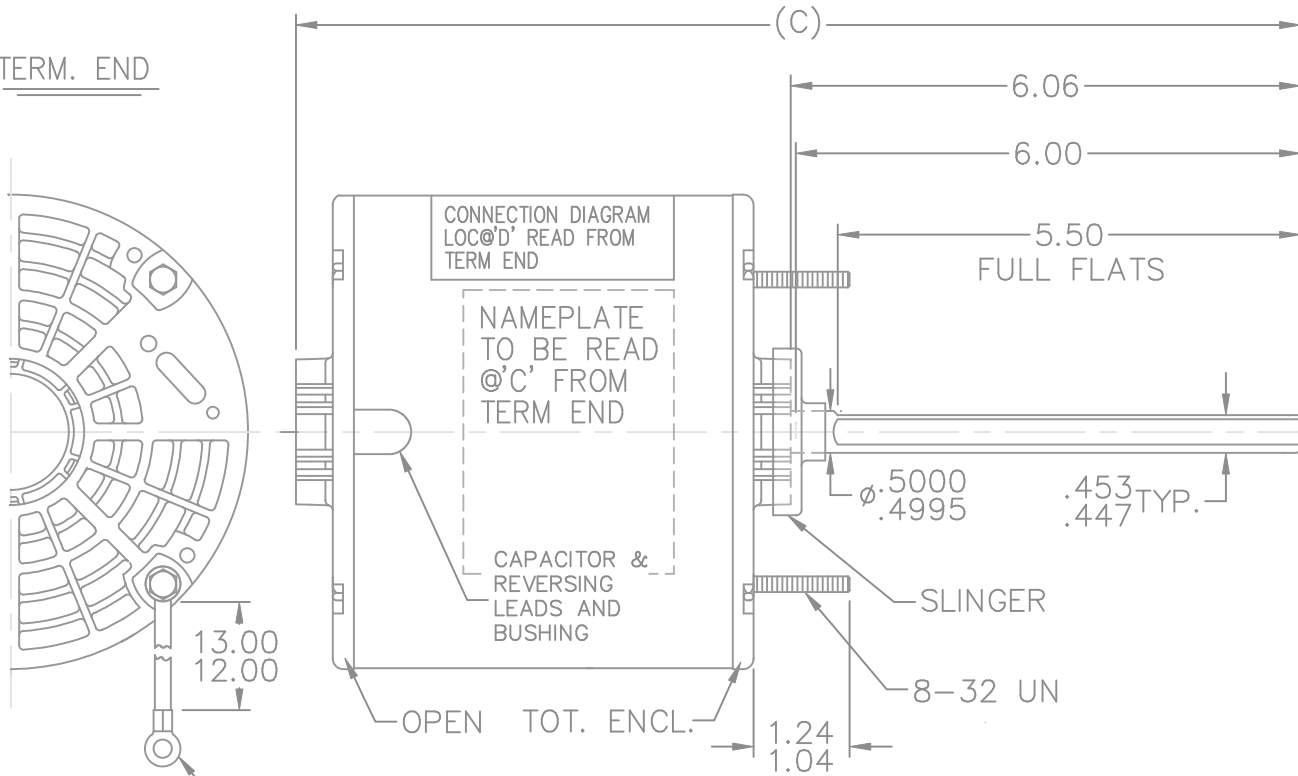


TERM. END

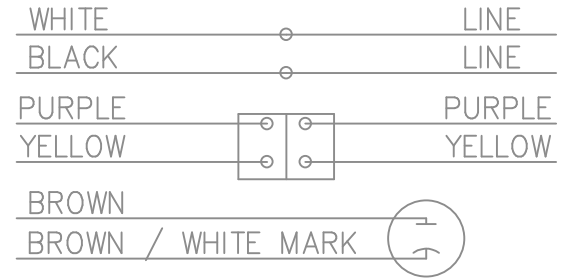


1 GREEN GRD.  
W/TERM FOR  
#10 SCREW

LEAD DESCRIPTION:  
1 WHITE & 1 BLACK WITH .50 BARE  
WIRE STRIP 30.00" LONG.

2 BROWN CAPACITOR LEADS W/.25  
FLAG TYPE QUICK CONNECTS 30.00" LONG  
BROWN W/WHITE MARK IS COMMON TO WHITE LEAD

REVERSING LEADS ARE MOLDED INTO MATING PULL  
APART PLUGS. ONE PURPLE AND ONE YELLOW PER  
PLUG. 5.0 LONG



ROTATION: CW-SHAFT END SHOWN.  
TO REVERSE, CONNECT PURPLE TO  
YELLOW AND YELLOW TO PURPLE

DASH	FRAME	C
350	48Y	10.94
400	48Y	11.44
450	48Y	11.94
500	48Y	12.44
525	48Y	12.69

			TOLERANCES UNLESS SPECIFIED		MARATHON ELECTRIC	DRAWN MRB 09-13-1995	
			DEC.	INCHES		CHK	DA 09-14-1995
5	UPDATED DRAWING	TJW 04/02/2007	.X	±.1	TITLE OUTLINE 48Y FR.	APPD	GK 09-14-1995
4	REDRAWN IN AUTOCAD	TAT 07-22-2004	ML	.XX ±.03		SCALE	7=16
3	REMOVED CONDUIT BOX, LEADS WERE 36.00-39.00 LONG. - REDRAWN ON CADD CN 21154	MRB 09-14-1995		.XXX ±.005		REF	
				.XXXX ±.0005	MAT'L.	FMF	
NO.	REVISION	BY & DATE	CHK	ANG ±7'30"	FINISH	PREV	
THIS DRAWING IN DESIGN AND DETAIL IS OUR PROPERTY AND MUST NOT BE USED EXCEPT IN CONNECTION WITH OUR WORK ALL RIGHTS OF DESIGN AND INVENTION ARE RESERVED THIS IS AN ELECTRONICALLY GENERATED DOCUMENT - DO NOT SCALE THIS PRINT			RFP		CAD FILE ss73949	SIZE	DRAWING NO. PAGE OF REV.
			DIST	WP		A	SS73949 5