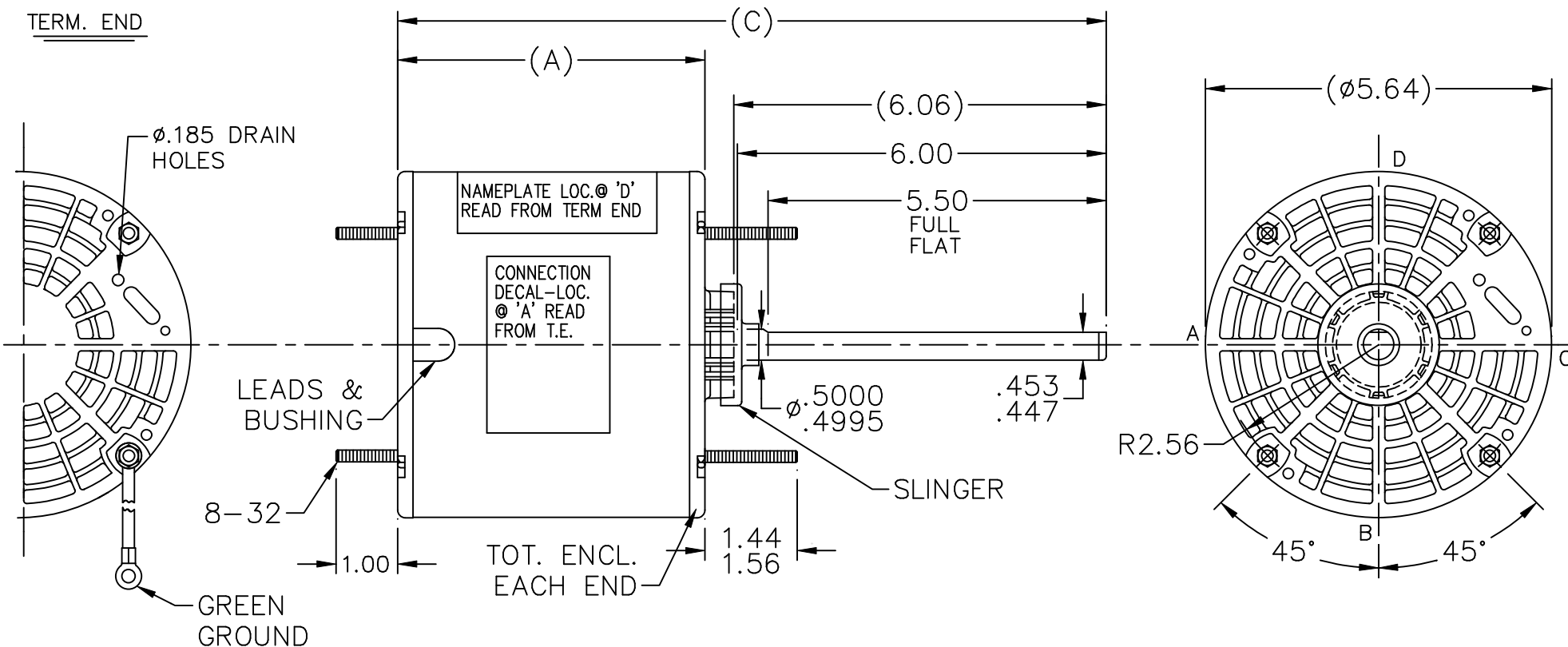


TERM. END



LEAD DESCRIPTION:

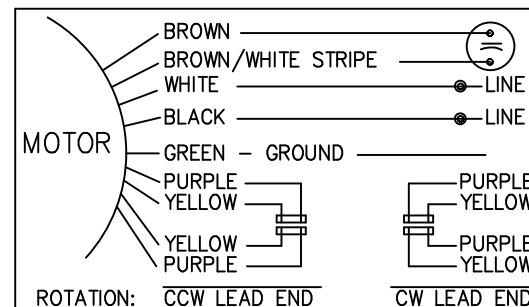
1 WHITE, 1 BLACK W/BARE WIRE STRIPPED .50, 30.00" LONG.

1 BROWN & 1 BROWN W/WHITE MARK W/.25 FLAG TYPE QUICK CONNECT, 30.00 LONG. BROWN LEAD W/WHITE MARK IS COMMON TO WHITE.

PURPLE AND YELLOW REVERSING LEADS ARE MOLDED INTO MATING PULL APART PLUGS, 5.00" LONG.

GREEN GROUND WITH TERM. FOR #10 SCREW, 12.00" LONG.

DASH	FRAME	C	A
325		10.25	3.75
375		10.75	4.25
425		11.25	4.75
450		11.50	5.00
475		11.75	5.25



TOLERANCES UNLESS SPECIFIED

DEC. INCHES

.X ±.1

.XX ±.03

.XXX ±.005

.XXXX ±.0005

CHK ANG ±7'30"



TITLE OUTLINE

MAT'L.

FINISH

DRAWN SP 06-24-2009

CHK NB 06-24-2009

APPD SP 06-24-2009

SCALE 1=2.5

REF SS400433

FMF 09-1916

PREV

NO.

REVISION

BY & DATE

CHK

ANG

FINISH

THIS DRAWING IN DESIGN AND DETAIL IS OUR PROPERTY AND MUST NOT BE USED EXCEPT IN CONNECTION WITH OUR WORK ALL RIGHTS OF DESIGN AND INVENTION ARE RESERVED THIS IS AN ELECTRONICALLY GENERATED DOCUMENT - DO NOT SCALE THIS PRINT

RFP 06-24-2009

CAD FILE SS403870

SIZE

DRAWING NO. PAGE OF

REV.

DIST WP

A

SS403870