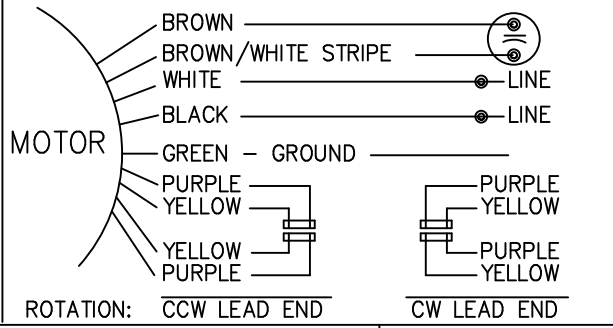


DASH	FR	C	A
325	48Y	10.25	3.75
375	48Y	10.75	4.25
425	48Y	11.25	4.75
450	48Y	11.50	5.00
475	48Y	11.75	5.25

LEAD DESCRIPTION:

1 WHITE, 1BLACK, BARE WIRE STRIPPED .50, 36.00" LONG
 1 BROWN AND 1 BROWN WITH WHITE MARK WITH .25 FLAG TYPE
 QUICK CONNECT 36.00" LONG. BROWN LEAD WITH WHITE MARK
 IS COMMON TO WHITE.
 PURPLE AND YELLOW REVERSING LEADS ARE MOLDED INTO MATING
 PULL APART PLUGS 5.00" LONG.
 GREEN GROUND WITH TERM. FOR #10 SCREW 12.00" LONG.



				TOLERANCES UNLESS SPECIFIED		MARATHON ELECTRIC	DRAWN GRB 05-23-2008		
				DEC.	INCHES		CHK	SP	05-23-2008
				.X	±.1	TITLE OUTLINE	APPD	NB	05-23-2008
				.XX	±.03		SCALE	3=8	
				.XXX	±.005		REF	SS400181	
				.XXXX	±.0005		FMF	08-0421	
NO.	REVISION	BY & DATE	CHK	ANG	±7'30"	FINISH	PREV		
				RFP	05-23-2008	CAD FILE	SS403722	SIZE	A
				DIST	WP			DRAWING NO.	SS403722
								PAGE	OF
								REV.	

THIS DRAWING IN DESIGN AND DETAIL IS OUR PROPERTY AND MUST NOT BE USED EXCEPT IN CONNECTION WITH OUR WORK ALL RIGHTS OF DESIGN AND INVENTION ARE RESERVED THIS IS AN ELECTRONICALLY GENERATED DOCUMENT - DO NOT SCALE THIS PRINT