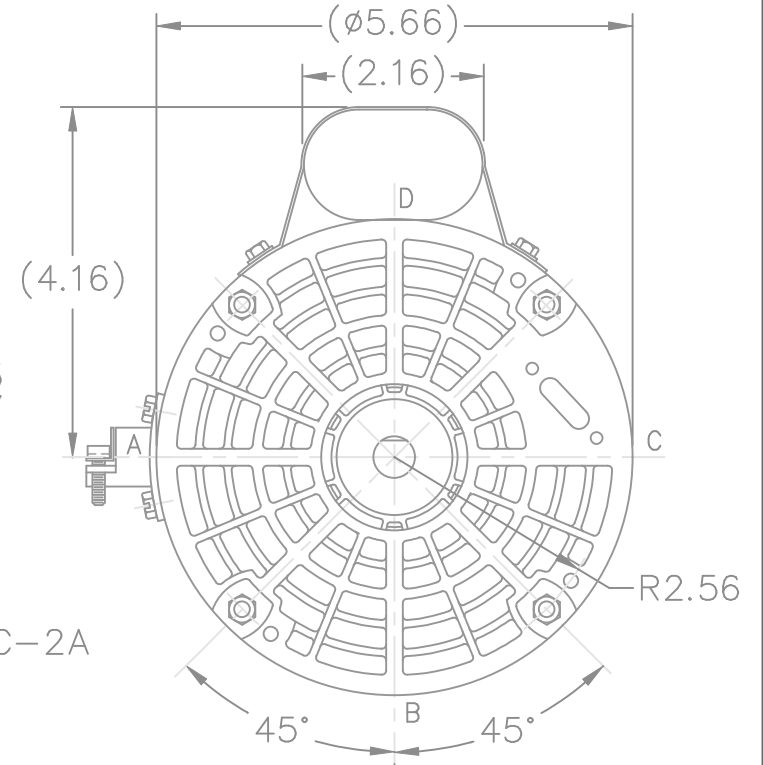
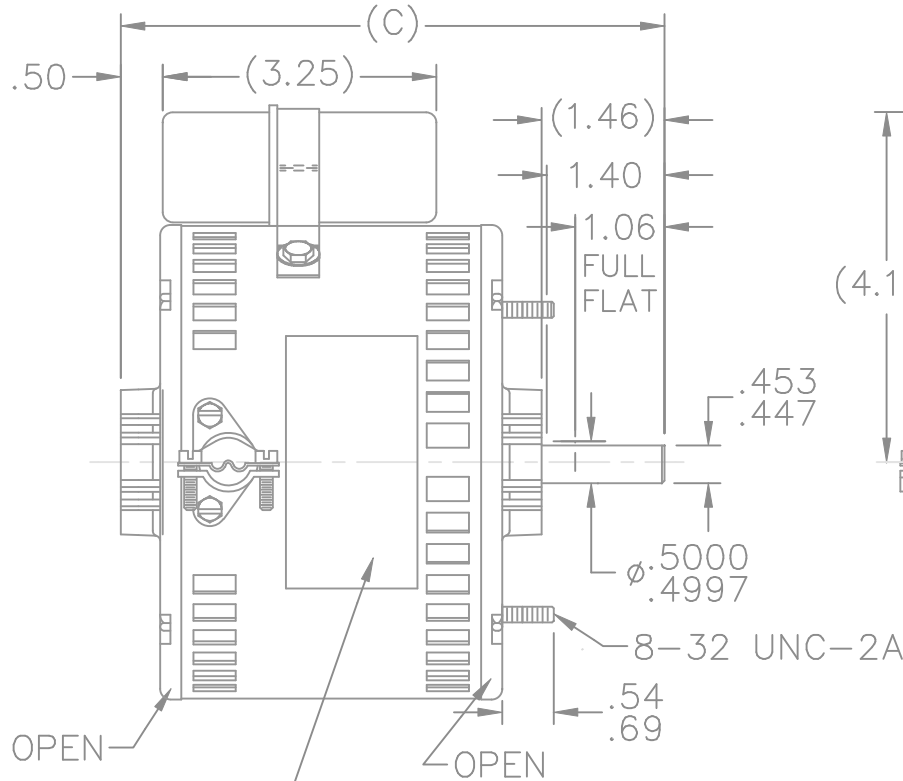
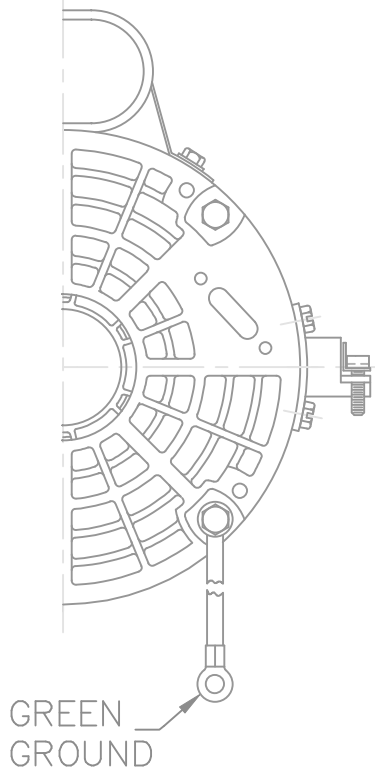


TERM END



2 PIECE NAMEPLATE LOC.
@ "A" & "C" READ FROM
TERM END

LEAD DESCRIPTION:
2 BLACK LEADS 42.00" LONG W/.75" WIRE STRIPPED.
GREEN GROUND LEAD 14.50" LONG W/TERM. FOR #10
SCREW.

ROTATION - CCW OPE		
BLACK	—○—	LINE 1
BLACK	—○—	LINE 2
BROWN	—⊕—	
BROWN	—⊕—	

DASH	FR.	C
350		6.34
362		6.46

NO.	REVISION	BY & DATE	CHK	TOLERANCES UNLESS SPECIFIED	
				DEC.	INCHES
				.X	±.1
				.XX	±.03
3	REDRAWN ON CADD	TAT 05-19-2005	ML	.XXX	±.005
2	REDRAWN, UPDTD. STUD EXT. WAS .54/.69 CN 6402	SMC 08-28-1992		.XXXX	±.0005
				ANG	±7'30"



TITLE	OUTLINE
MAT'L.	
FINISH	

DRAWN	SMC 08-28-1992
CHK	ML 08-28-1992
APPD	GK 08-28-1992
SCALE	7=16
REF	
FMF	
PREV	

THIS DRAWING IN DESIGN AND DETAIL IS OUR PROPERTY AND MUST NOT BE USED EXCEPT IN CONNECTION WITH OUR WORK ALL RIGHTS OF DESIGN AND INVENTION ARE RESERVED THIS IS AN ELECTRONICALLY GENERATED DOCUMENT - DO NOT SCALE THIS PRINT		RFP	CAD FILE	ss74438	SIZE	DRAWING NO.	PAGE	OF	REV.
		DIST	WP		A	SS74438			3