

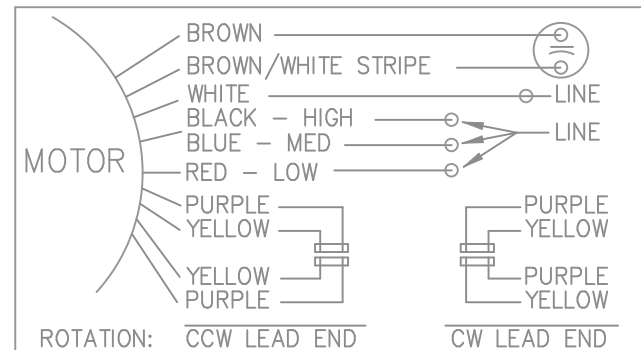
LEAD DESCRIPTION:

1 WHITE, 1 BLACK, 1 BLUE, & 1 RED, LEAD WITH .50 BARE WIRE STRIP. 30.00" LONG

2 BROWN LEADS WITH .25 FLAG-TYPE QUICK CONNECTS 30.00" LONG. BROWN/ WHITE MARKED LEAD IS COMMON TO WHITE.

REVERSING LEADS ARE MOLDED INTO MATING PULL-APART PLUGS. 1 YELLOW & 1 PURPLE LEAD PER PLUG. 5.00" LONG.

GREEN GROUND LEAD WITH TERM. FOR #10 SCREW 12.00" LONG.



DASH	C	A
375	9.25	4.25
400	9.50	4.50
425	9.75	4.75
475	10.25	5.25
488	10.38	5.38
500	10.50	5.50

				TOLERANCES UNLESS SPECIFIED		<p><b>MARATHON ELECTRIC</b></p>	DRAWN HLB 05-13-2004		
				DEC.	INCHES		CHK ML 05-13-2004		
				.X	±.1		APPD MJS 05-14-2004		
				.XX	±.02		SCALE 3=9		
				.XXX	±.005		REF		
				.XXX	±.005	TITLE OUTLINE			
				.XXXX	±.0005	MAT'L.			FMF MU50817/MU50818
NO.	REVISION	BY & DATE	CHK	ANG	±7'30"	FINISH	PREV		
			RFP	05-14-2004		CAD FILE ss403409	SIZE A	DRAWING NO. SS403409	PAGE 1 OF 1
			DIST	WP					REV.

THIS DRAWING IN DESIGN AND DETAIL IS OUR PROPERTY AND MUST NOT BE USED EXCEPT IN CONNECTION WITH OUR WORK ALL RIGHTS OF DESIGN AND INVENTION ARE RESERVED THIS IS AN ELECTRONICALLY GENERATED DOCUMENT - DO NOT SCALE THIS PRINT