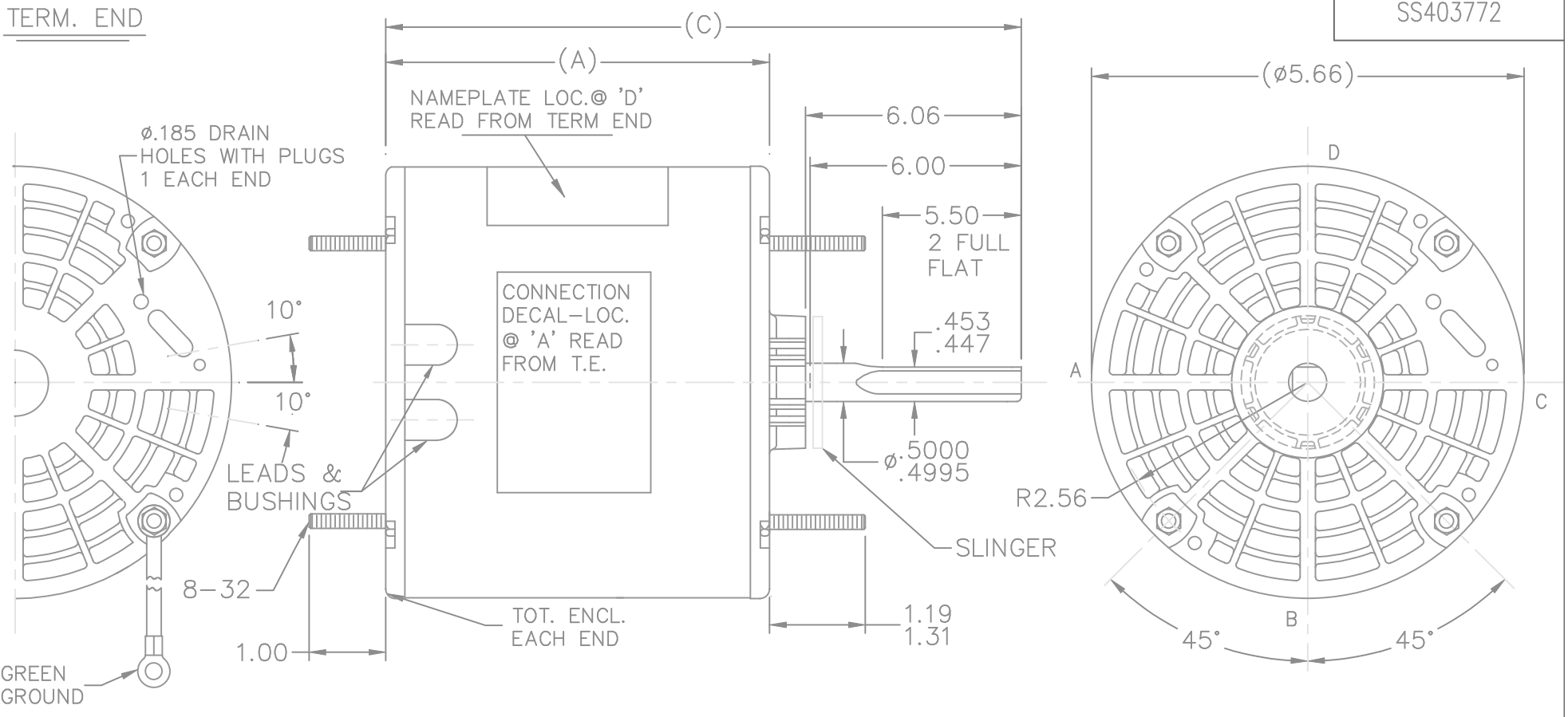


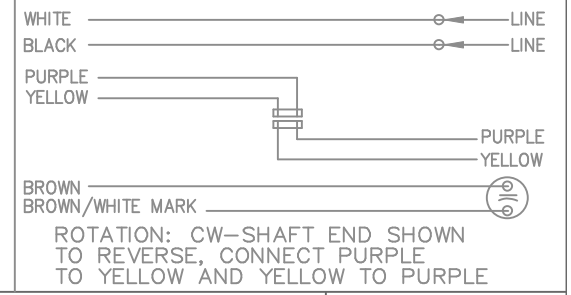
TERM. END

SS403772



DASH	FRAME	C	A
450	48Y	11.50	5.00

LEAD DESCRIPTION:
 1 BLACK AND 1 WHITE LEAD WITH .50 BARE WIRE STRIP- 30.0" LONG
 2 BROWN CAPACITOR LEADS WITH .25 FLAG-TYPE QUICK CONNECTS-30.0" LONG BROWN WITH WHITE MARK 15 COMMON TO WHITE LEAD. REVERSING LEADS ARE MOLDED INTO MATING PULL APART PLUGS- ONE PURPLE AND ONE YELLOW PER PLUG. 5.0" LONG
 GREEN GROUND LEAD 12.0" LONG



NO.		REVISION		BY & DATE		CHK	ANG	TOLERANCES UNLESS SPECIFIED	MARATHON ELECTRIC	DRAWN GRP 09-15-2008						
								DEC.		INCHES	CHK	SCALE	REF	FMF		
								.X	±.1		1=2	SS403734	08-0421			
								.XX	±.03	TITLE OUTLINE 48 FRAME						
								.XXX	±.005	MAT'L.						
								.XXXX	±.0005	FINISH						
								ANG	±7'30"	PREV						
								RFP	09-15-2008	CAD FILE ss403772		SIZE	DRAWING NO.	PAGE	OF	REV.
								DIST	WP			A	SS403772			

THIS DRAWING IN DESIGN AND DETAIL IS OUR PROPERTY AND MUST NOT BE USED EXCEPT IN CONNECTION WITH OUR WORK ALL RIGHTS OF DESIGN AND INVENTION ARE RESERVED THIS IS AN ELECTRONICALLY GENERATED DOCUMENT - DO NOT SCALE THIS PRINT
 10/16/2008 11:09:22 AM