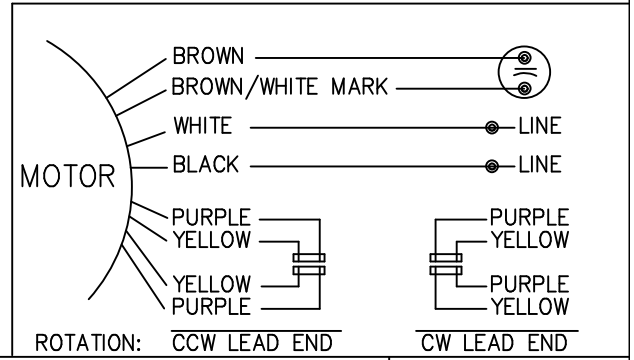


CONNECTION DECAL LOC'D BET. A&B- READ FROM TERM.END

TERM. END

LEAD DESCRIPTION:

- 1 WHITE & 1 BLACK WITH .50 BARE WIRE STRIP. 30.00" LONG.
- GREEN GROUND LEAD WITH TERM. FOR #10 SCREW 12.00" LONG.
- 2 BROWN LEADS WITH .25 FLAG-TYPE QUICK CONNECTS BROWN WITH WHITE MARK IS COMMON TO WHITE 30.00" LONG.
- REVERSING LEADS ARE MOLDED INTO MATING PULL APART PLUGS. 1 YELLOW & 1 PURPLE LEAD PER PLUG. 5.00" LONG.



DASH	FR.	C	A
500	48Y	11.97	5.50
525	48Y	12.22	5.75

				TOLERANCES UNLESS SPECIFIED		<p><b>MARATHON ELECTRIC</b></p>	DRAWN NB 11-30-2009								
				DEC.	INCHES		CHK	SVL	11-30-2009	APPD	NB 11-30-2009				
				.X	±.1			SCALE	3=8	REF	SS73750				
				.XX	±.03		TITLE OUTLINE			FMF	08-2127				
				.XXX	±.005		48Y FR.			PREV					
				.XXX	±.0005	MAT'L.									
NO.	REVISION	BY & DATE	CHK	ANG	±7'30"	FINISH									
THIS DRAWING IN DESIGN AND DETAIL IS OUR PROPERTY AND MUST NOT BE USED EXCEPT IN CONNECTION WITH OUR WORK ALL RIGHTS OF DESIGN AND INVENTION ARE RESERVED THIS IS AN ELECTRONICALLY GENERATED DOCUMENT - DO NOT SCALE THIS PRINT							RFP	11-30-2009	CAD FILE	SS403890	SIZE	DRAWING NO.	PAGE	OF	REV.
							DIST	WP			A	SS403890			