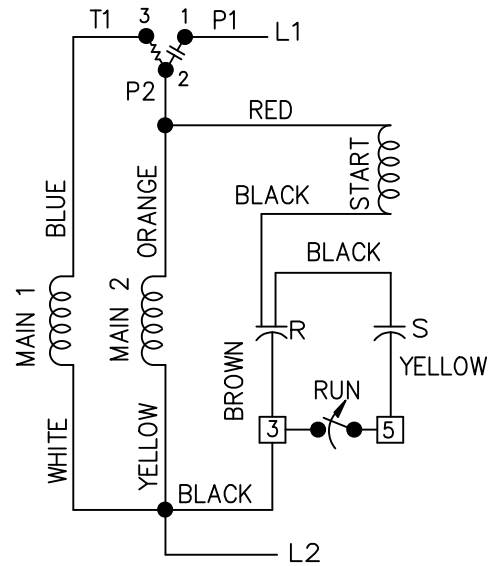
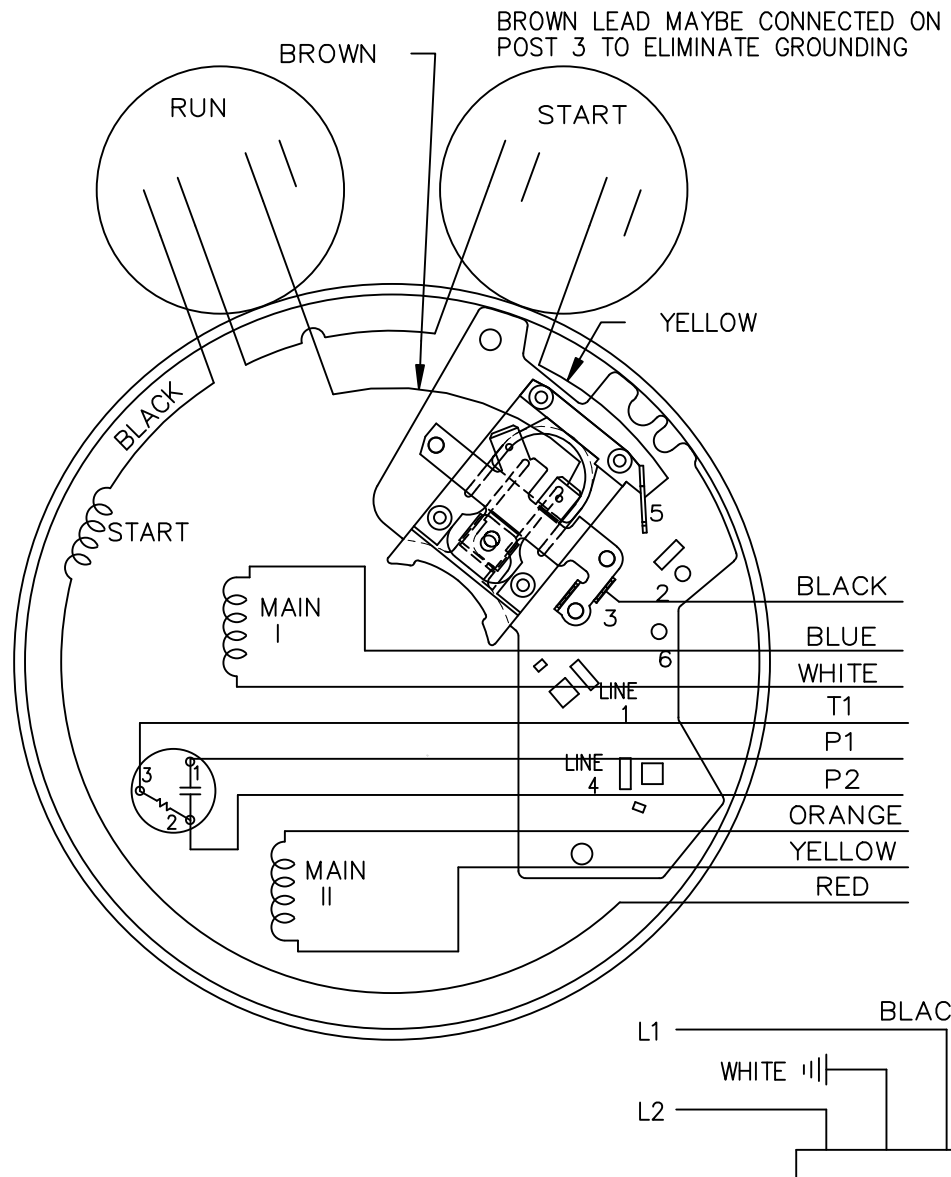
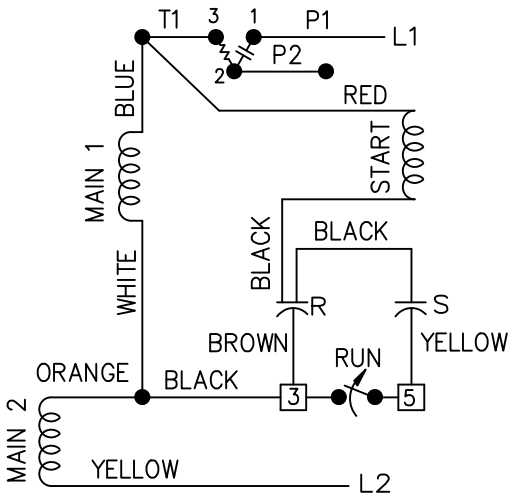


LOW VOLTAGE C.C.W.



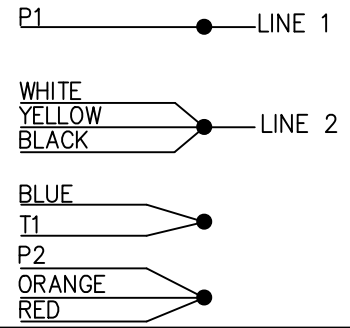
HIGH VOLTAGE C.C.W.



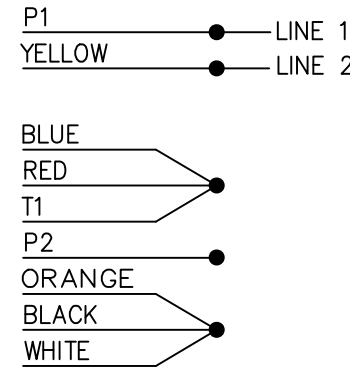
102006-52

DUAL VOLTAGE
CAP START-CAP RUN
OVERLOAD
SELECT ROTATION

LOW VOLT. CCW ROT.



HIGH VOLT. CCW ROT.



FOR CW ROT. EITHER
VOLTAGE INTERCHANGE
RED WITH BLACK LEAD.

13	CHG'ED SWITCH TO OPEN WHEN RUNNING ISAAC 11-2715	KBB 06-23-2011	EH	TOLERANCES UNLESS SPECIFIED	
12	REMOVE 1,2,3 & 4 ON LOW & HIGH VOLT CN 31436	TJB 02-14-2002	DRS	DEC.	INCHES
11	REMOVE BRAKE VIEW CN 31436	TJB 01-30-2002	DRS	.X	±.1
10	ADDED BROW LEAD DETAIL NOTE CN 24300-323	BJW 02-28-2000		.XX	±.02
9	ADDED CORD VIEW MU20434	BLR 07-01-1998		.XXX	±.005
8	CAP LEAD COLORS REVISED CN 16210	AJS 08-29-1994		.XXXX	±.0005
NO.	REVISION	BY & DATE	CHK	ANG	±7'30"



TITLE CONNECTION DIAGRAM

MAT'L.

FINISH

DRAWN ML	05-09-1992
CHK GK	05-09-1992
APPD FG	05-19-1992
SCALE	5=8
REF	
FMF	
PREV	

THIS DRAWING IN DESIGN AND DETAIL IS OUR PROPERTY AND MUST NOT BE USED EXCEPT IN CONNECTION WITH OUR WORK ALL RIGHTS OF DESIGN AND INVENTION ARE RESERVED THIS IS AN ELECTRONICALLY GENERATED DOCUMENT - DO NOT SCALE THIS PRINT

RFP	CAD FILE 102006-52	SIZE	DRAWING NO.	PAGE	OF	REV.
DIST WP		A	102006-52			13