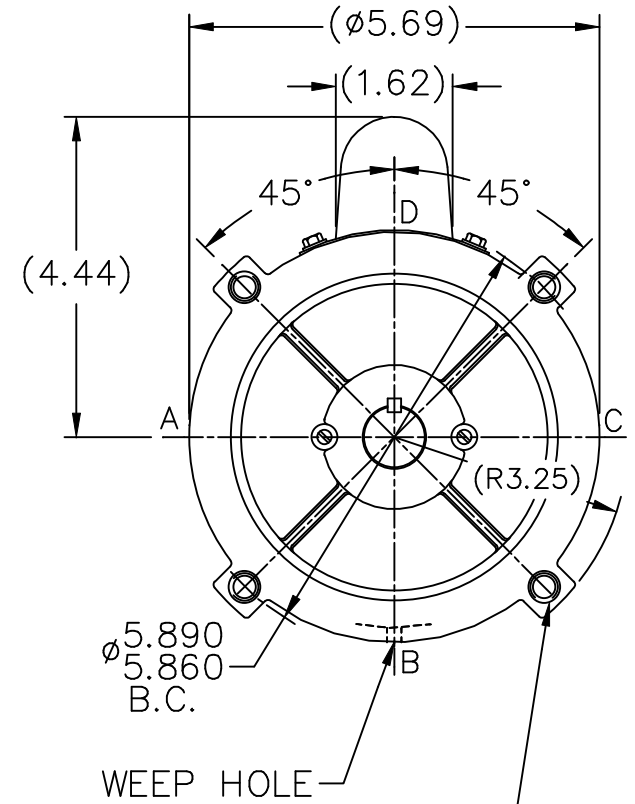


'W' = CLEARANCE ALLOWED FOR ALL VARIANCES IN MANUFACTURING & ASSEMBLY



DASH	FR	C	AG		DASH	FR	C	AG	
625	48	10.19	8.12		725	48	11.19	9.13	
675	48	10.69	8.63		775	48	11.69	9.63	
700	48	10.94	8.88		800	48	11.94	9.88	

NO.	REVISION	BY & DATE	CHK	TOLERANCES UNLESS SPECIFIED	
				ANG	INCHES
4	UPDATED DRAWING	TJW 04/20/2007	.X	±.1	
3	REDRAWN IN AUTOCAD	TAT 05-19-2005	ML	.XX	±.03
2	ADDED NEW FRONT BRACKET CN 20124	RJM 04-04-1995		.XXX	±.005
1	NEW DRAWING 3982118	RM 12-30-1992		.XXXX	±.0005



TITLE	OUTLINE
MAT'L.	
FINISH	

DRAWN	RM 12-21-1992
CHK	MOL 12-21-1992
APPD	GK 12-21-1992
SCALE	3=8
REF	
FMF	
PREV	

THIS DRAWING IN DESIGN AND DETAIL IS OUR PROPERTY AND MUST NOT BE USED EXCEPT IN CONNECTION WITH OUR WORK ALL RIGHTS OF DESIGN AND INVENTION ARE RESERVED THIS IS AN ELECTRONICALLY GENERATED DOCUMENT - DO NOT SCALE THIS PRINT	RFP	CAD FILE	ss75633	SIZE	A	DRAWING NO.	SS75633	PAGE	OF	REV.	4
	DIST	WP									

ERROR: syntaxerror
OFFENDING COMMAND: --nostringval--

STACK:

/im
-savelevel-