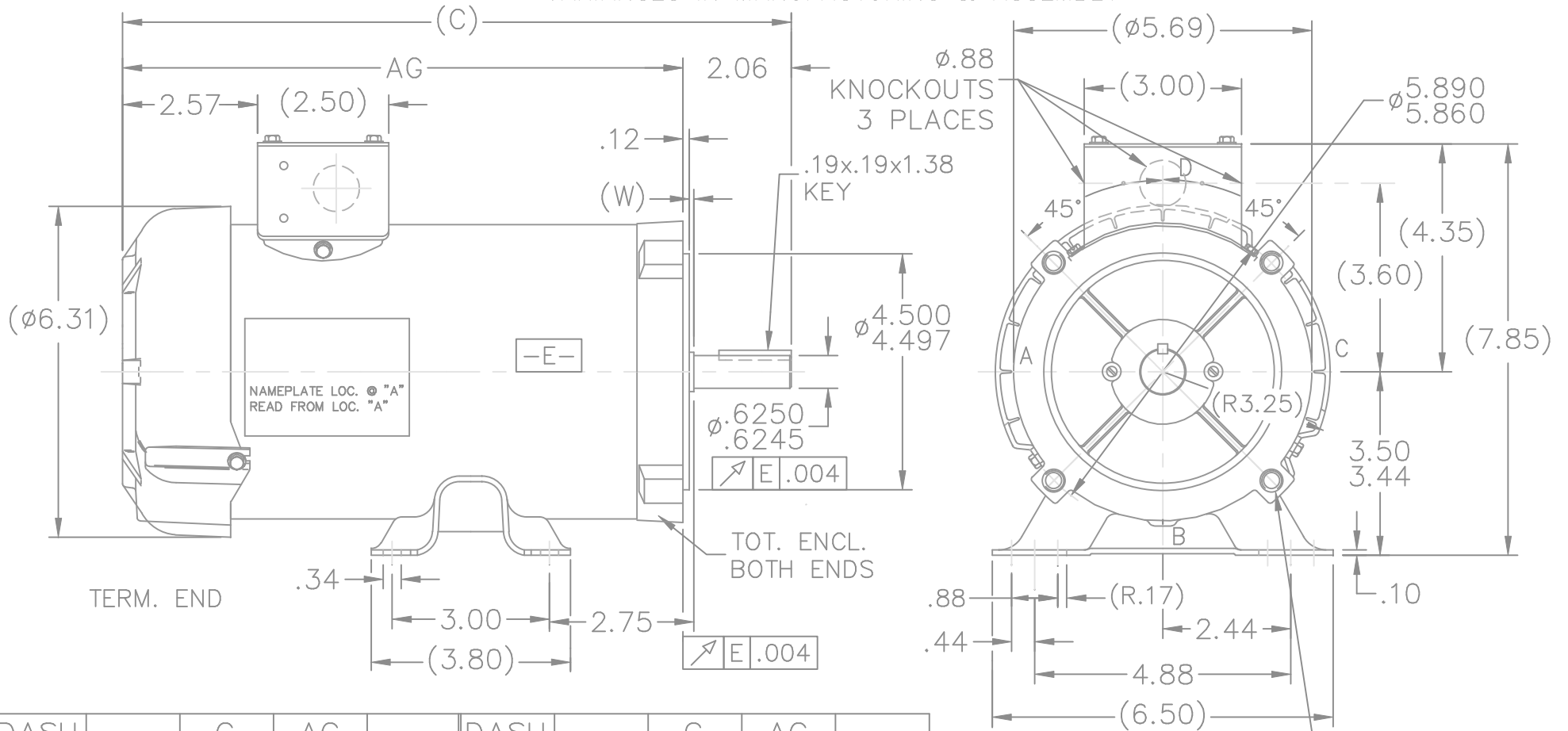


'W' = CLEARANCE ALLOWED FOR ALL
VARIANCES IN MANUFACTURING & ASSEMBLY



| DASH | C | AG | DASH | C | AG |
|------|-------|------|------|-------|-------|
| 500 | 9.94 | 7.88 | 625 | 11.19 | 9.13 |
| 525 | 10.19 | 8.13 | 750 | 12.44 | 10.38 |
| 575 | 10.69 | 8.63 | | | |

| NO. | REVISION | BY & DATE | TOLERANCES UNLESS SPECIFIED | |
|-----|---|----------------|-----------------------------|--------|
| | | | DEC. | INCHES |
| 5 | UPDATED DRAWING | TJW 04/20/2007 | .X | ±.1 |
| 4 | CHANGED TO LEESON CONDUIT BOX PER CN39440-2 | TJW | .XX | ±.03 |
| 3 | REDRAWN IN AUTOCAD | TAT 07-06-2004 | .XXX | ±.005 |
| 2 | REVISED NAMEPLATE LOCATION CN 34681 | NJS 02-19-2002 | .XXXX | ±.0005 |
| 1 | NEW DRAWING 4069675 | NJS 02-19-2002 | ANG | ±7'30" |

05-17-2000

MARATHON ELECTRIC

TITLE OUTLINE

MAT'L.

FINISH

DRAWN DD 08-27-1993
CHK ML 08-30-1993
APPD JAY 08-31-1993
SCALE 11=32
REF
FMF
PREV

| | | | | | | | |
|--|--|---------|------------------|--------|---------------------|---------|--------|
| THIS DRAWING IN DESIGN AND DETAIL IS OUR PROPERTY AND MUST NOT BE USED EXCEPT IN CONNECTION WITH OUR WORK ALL RIGHTS OF DESIGN AND INVENTION ARE RESERVED THIS IS AN ELECTRONICALLY GENERATED DOCUMENT - DO NOT SCALE THIS PRINT | | RFP | CAD FILE ss75928 | SIZE A | DRAWING NO. SS75928 | PAGE OF | REV. 5 |
| | | DIST WP | | | | | |