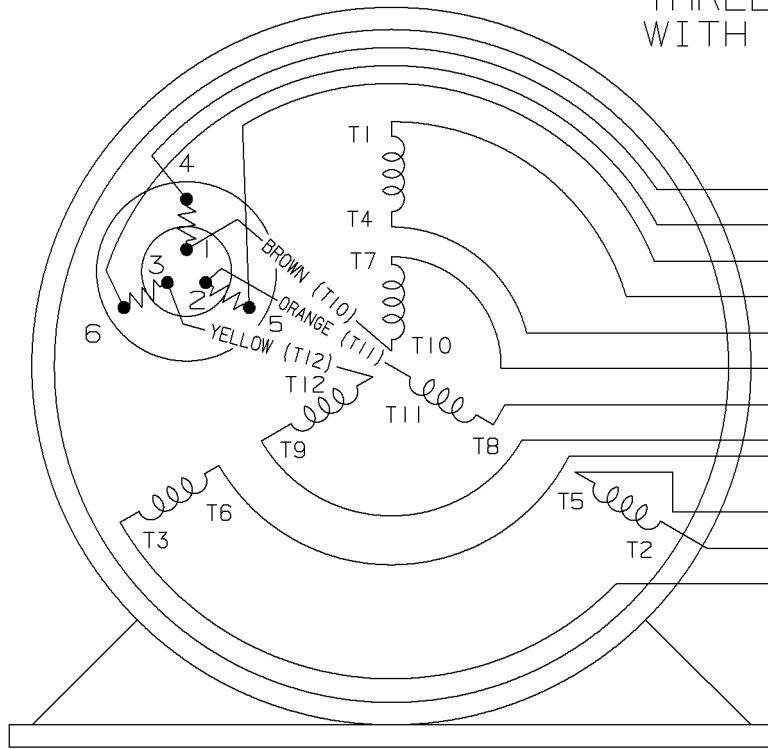
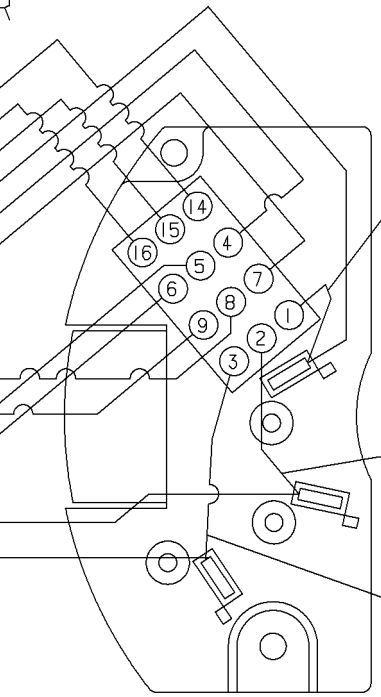


THREE PHASE-DUAL VOLTAGE WITH THERMAL PROTECTOR



VIEW OF TERMINAL END

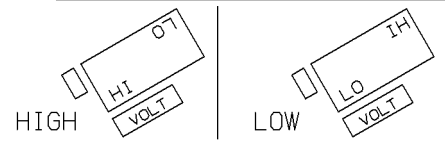
- (T14) BROWN
- (T16) YELLOW
- (T15) ORANGE
- (T1) RED
- T4
- T7
- T8
- T9
- T6
- T5
- (T2) BLUE
- (T3) BLACK



VIEWING BOTTOM OF TERMINAL BOARD

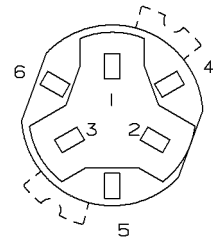
RED
 NUMBERS SHOWN ON TERM BOARD ARE FOR REF. ONLY.
 (NUMBERS DO NOT APPEAR ON PARTS.)

TO CHANGE VOLTAGE, PULL PLUG, ROTATE 180° AND REINSERT



CONNECT LINES TO L1, L2 & L3

NOTE:
 ACTUAL PROTECTORS TERMINAL LOCATIONS FOR LEAD CONNECTIONS



4	06-26-1995	1,2,3 WERE SWITCHED WITH 4,5,6 ON THE TERMINAL CN 20644	BR	✓ MAX. SURFACE ROUGHNESS UNLESS NOTED OTHERWISE	UNLESS OTHERWISE SPECIFIED DIMENSIONS ARE IN INCHES TOL. ON XX±.02 XXX±.005 XXXX±.0005 ANGLES± 7°30"			
3	05-18-1994	ADDED ACTUAL PROTECTOR VIEW CN 17481	KL	MATL SPEC				DRAWN BY RM 07-20-1993
2	07-20-1993	REDRAWN ON CADD, ORIGINAL LOST. REV. VCD TO COLORED LEADS CNI3741	RM	FINISH				CHKD BY ET 07-20-1993
REV	DATE	CHANGE	NAME	REFERENCE DRW.	WAUSAU, WISCONSIN 54401			APPD BY ET 07-20-1993
				PART NAME CONNECTION DIAGRAM 3Ø - DUAL VOLTAGE MOTOR				DRWG NO A- 102007-1

SHOP BOOK | PURCHASED | DISTRIBUTION - WA - LB - WP - LM - BR | CADD FILE NO. | 102007-1