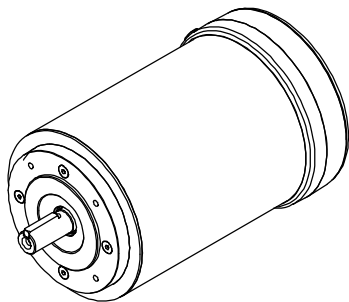


DASH NO.	"C"	"AD"
525	9.47	6.51
550	9.72	6.76
575	9.97	7.01
600	10.22	7.26
625	10.47	7.51
650	10.72	7.76
675	10.97	8.01
700	11.22	8.26
725	11.47	8.51
750	11.72	8.76
775	11.97	9.01
800	12.22	9.26



NO		REVISION	BY & DATE	CHK	ANG	±1/2°	FINISH	TOLERANCES UNLESS SPECIFIED		 <b>marathon</b> electric	DRAWN	PVR 10/08/13	
								DEC	INCHES		CHK	JD 10/08/13	
				X		±.1					APPR		
				XX		±.03					TITLE	SCALE	1:4
				XXX		±.005				REF	031994		
				XXXX		±.0005			MAT'L	FMF	080T17V5328		
											PAGE	1 OF 1	
										SIZE	DRAWING NO	REV	
										<b>B</b>	<b>031994ME</b>		
										NETWORK FILE NAME	031994ME		

