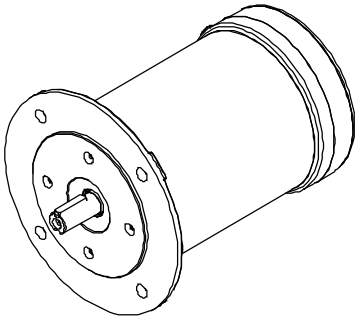


DASH NO.	"C"	"AD"
550	9.72	6.75
600	10.22	7.25
650	10.72	7.75
700	11.22	8.25
725	11.47	8.50
750	11.72	8.75



NO		REVISION	BY & DATE	CHK	LANG	±1/2°	FINISH			DRAWN PVR 10/09/13
								TITLE OUTLINE - PREMIUM DUCK IEC 80- B5 FRAME- ROUND		CHK JD 10/09/13
								MAT'L		APPR
								NETWORK FILE NAME 031996ME		SCALE 1:4
								RFP		REF 031996
								PREV		FMF 080117V5326
								SIZE B		PAGE 1 OF 1
								DRAWING NO 031996ME		REV