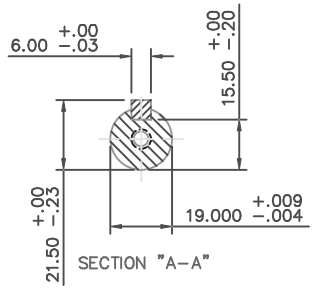
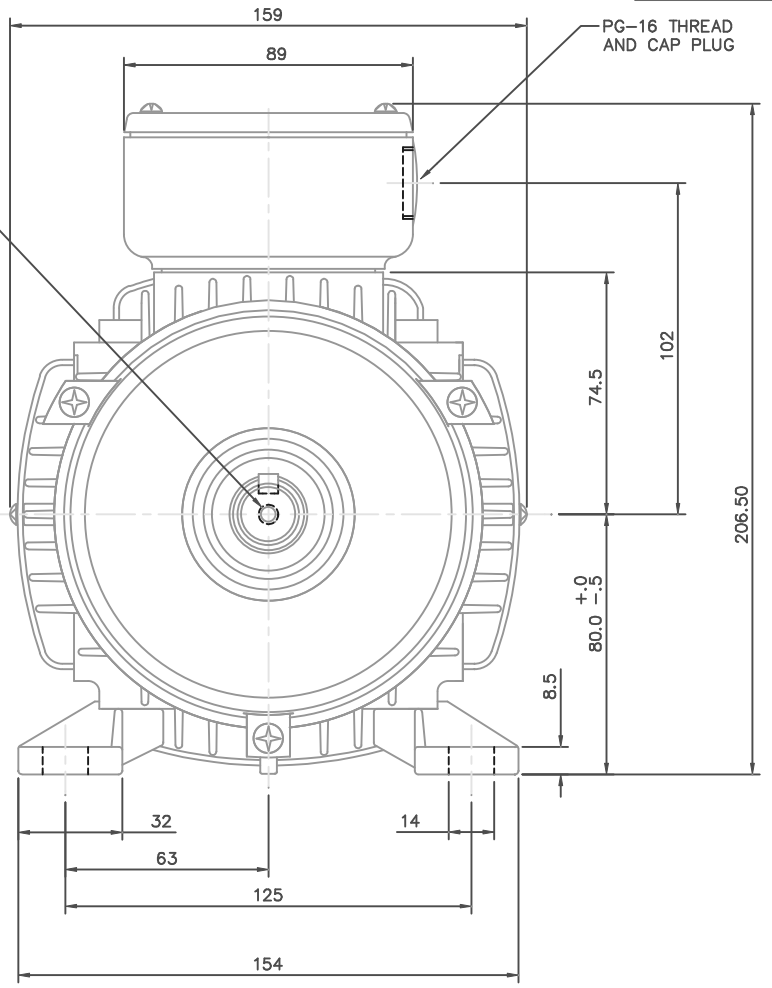


M6-1.00 x 16 DEEP
R.H. THREADED SHAFT



NO.		REVISION	BY & DATE	CHK	ANG	±7°30"	FINISH	PREV	
THIS DRAWING IN DESIGN AND DETAIL IS OUR PROPERTY AND MUST NOT BE USED EXCEPT IN CONNECTION WITH OUR WORK ALL RIGHTS OF DESIGN AND INVENTION ARE RESERVED THIS IS AN ELECTRONICALLY GENERATED DOCUMENT - DO NOT SCALE THIS PRINT				RFP	CAD FILE	16986100ME	SIZE	DRAWING NO.	REV.
				DIST			B	169861-00ME	

TOLERANCES UNLESS SPECIFIED			DRAWN RDW 2/4/04 CHK APPD SW 2/4/04 SCALE 1=1.5 REF OSVC-300-552 FMF PREV
DEC.	METRIC		
.X	±2.5		
.XX	±.76		
.XXX	±.127		
.XXXX	±.0127		
		TITLE	METRIC OUTLINE, IMB3 IEC-80 FRAME TEFC
		MAT'L	ALUMINUM