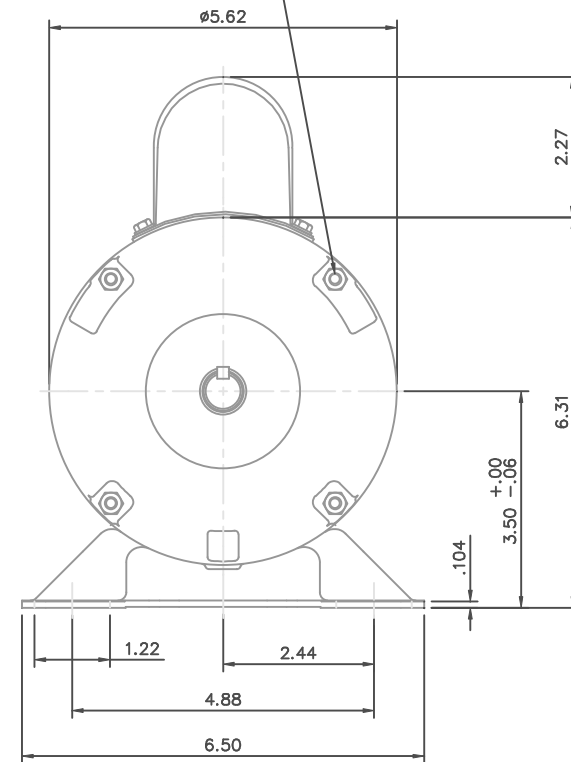


10-32 UNF 2A THRU BOLTS  
(4) REQ'D. ON A Ø5.125 B.C.



DASH NO.	"C"	"AD"
550	11.15	4.65
575	11.40	4.90
600	11.65	5.15
625	11.90	5.40
650	12.15	5.65
675	12.40	5.90
700	12.65	6.15

GASKETS THROUGHOUT

NO.		REVISION	BY & DATE	CHK	ANG	±1/2"	FINISH	PREV	
THIS DRAWING IN DESIGN AND DETAIL IS OUR PROPERTY AND MUST NOT BE USED EXCEPT IN CONNECTION WITH OUR WORK ALL RIGHTS OF DESIGN AND INVENTION ARE RESERVED THIS IS AN ELECTRONICALLY GENERATED DOCUMENT - DO NOT SCALE THIS PRINT				RFP	CAD FILE	031711	SIZE	DRAWING NO.	REV.
				DIST			B	031711	

TOLERANCES UNLESS SPECIFIED		ELECTRIC MOTORS GEARMOTORS AND DRIVES	DRAWN	PG 8/8/02
DEC.	INCHES		CHK	
.X	±.1		APPD	
.XX	±.03		SCALE	1=2
.XXX	±.005		REF	030422
.XXXX	±.0005	FMF	100804.00	
		TITLE	OUTLINE - S56Z FRAME RIGID MOUNT - ENCLOSED	
		MAT'L		