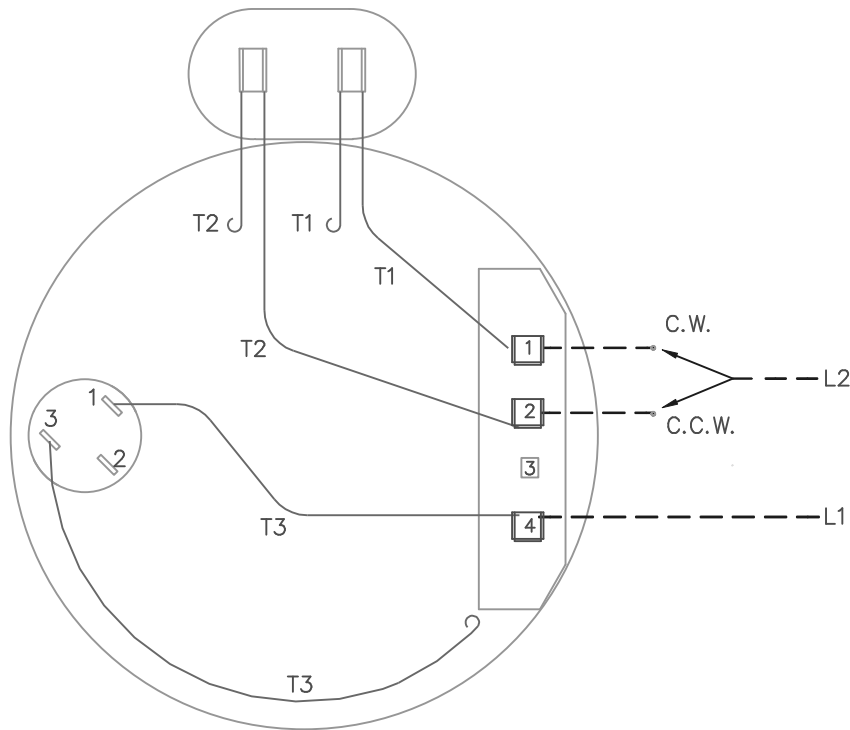
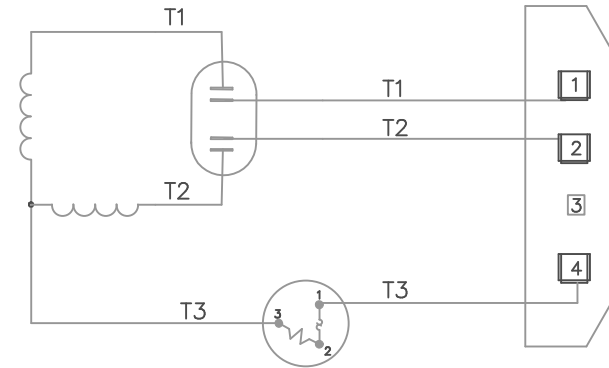


005024-08

VIEW FROM OUTSIDE OF MOTOR AT SWITCH END.

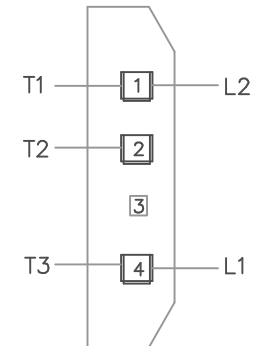
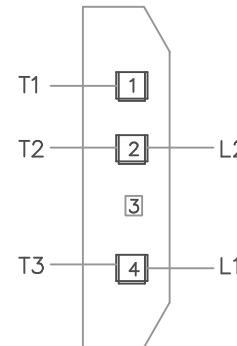


LINE LEADS



C.C.W. L.E.

C.W. L.E.



				TOLERANCES UNLESS OTHERWISE SPECIFIED		LEESON ELECTRIC CORPORATION			
				DECIMALS					
				.00	± .01	DRAWN DLL 11/30/82	TITLE EXTERNAL WIRING DIAGRAM		
				.000	± .005	CH'K'D. ADH 12/01/82	TYPE "P" W/PROTECTOR		
01	REDRAWN ON CAD	DBT	06/19/97	.0000	± .0005	APPR. JCW 12/01/82	MATL. DECAL - 080094		
NO.	REVISION	BY	DATE	FRACTIONS	± 1/64	SCALE 1=1	BRF		
				ANGLES	± 1/2"	REF. PG.5			
				INCH/MM		FMF 4P17DJ5	PARKING DEV.		005024-08

THIS DRAWING IN DESIGN AND DETAIL IS OUR PROPERTY AND MUST NOT BE USED EXCEPT IN CONNECTION WITH OUR WORK ALL RIGHTS OF DESIGN AND INVENTION ARE RESERVED