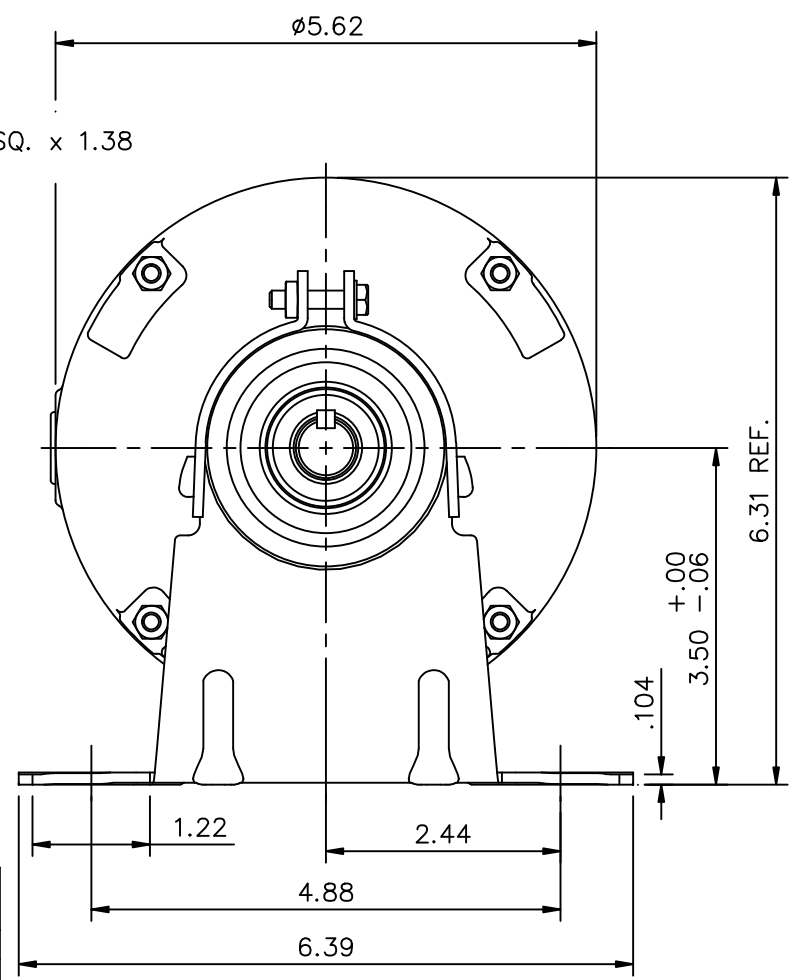
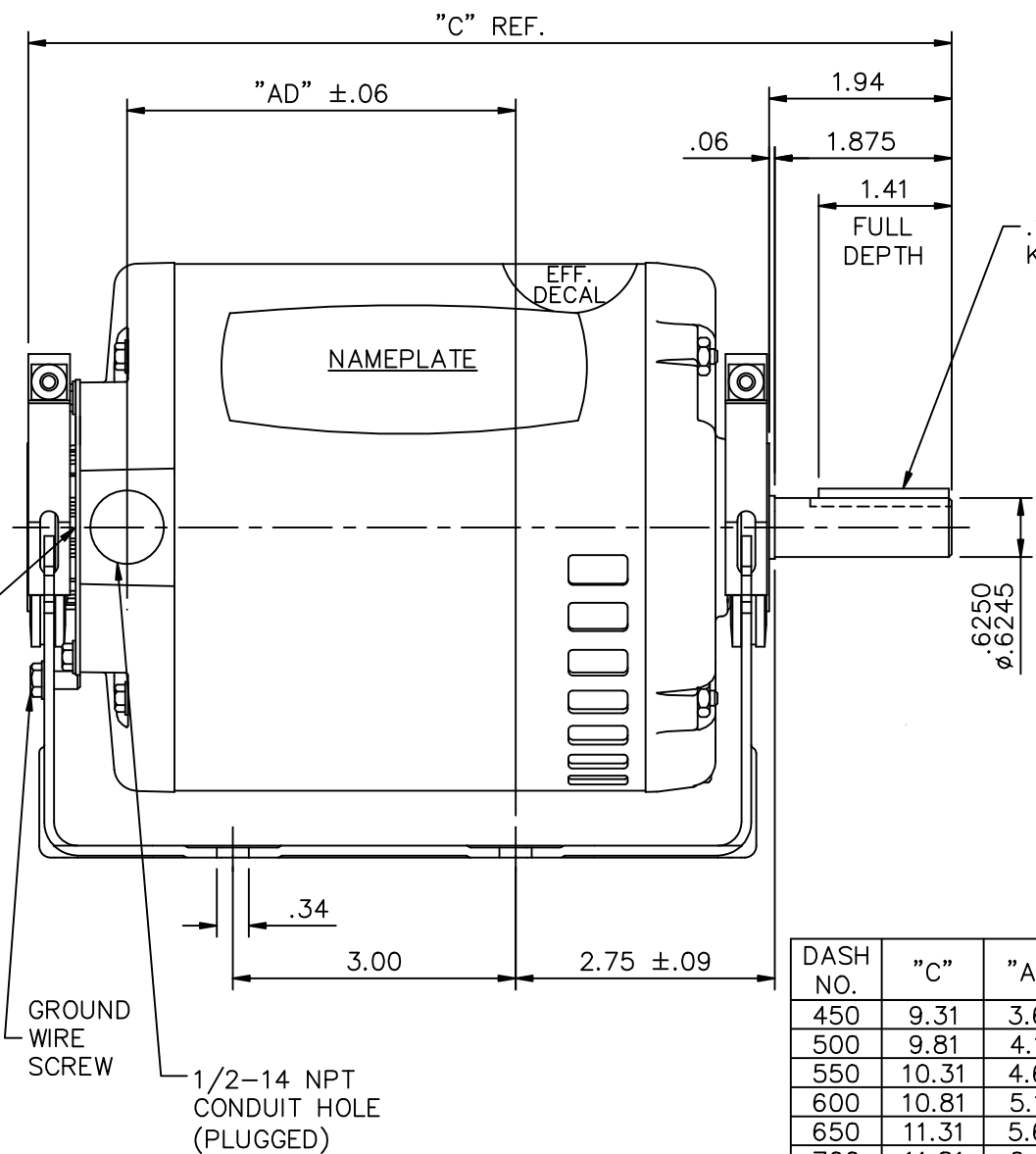



CONNECTION DECAL INSIDE COVER WHEN REQ'D
WARNING DECAL ON OUTSIDE OF COVER



DASH NO.	"C"	"AD"
450	9.31	3.62
500	9.81	4.12
550	10.31	4.62
600	10.81	5.12
650	11.31	5.62
700	11.81	6.12

		TOLERANCES UNLESS SPECIFIED		 ELECTRIC MOTORS GEARMOTORS AND DRIVES	DRAWN PG 02/18/05 CHK APPD PG 02/18/05 SCALE 1=2 REF 030485 FMF 101773.00 PREV				
		DEC.	INCHES		TITLE				
		.X	±.1		OUTLINE - S56 FRAME RESILIENT MOUNT - DRIP PROOF				
02	ADDED DECAL NOTES PER ASSEMBLY	GWS	8/19/11	.XXX	±.005	MAT'L.	3 PHASE		
01	ADDED NOTE FOR GROUND WIRE SCREW	ARV	1/21/08	.XXXX	±.0005	FINISH			
NO.	REVISION	BY & DATE	CHK	ANG	±1/2"				
THIS DRAWING IN DESIGN AND DETAIL IS OUR PROPERTY AND MUST NOT BE USED EXCEPT IN CONNECTION WITH OUR WORK ALL RIGHTS OF DESIGN AND INVENTION ARE RESERVED THIS IS AN ELECTRONICALLY GENERATED DOCUMENT - DO NOT SCALE THIS PRINT				RFP	CAD FILE	031807	SIZE	DRAWING NO.	REV.
				DIST			A	031807	02