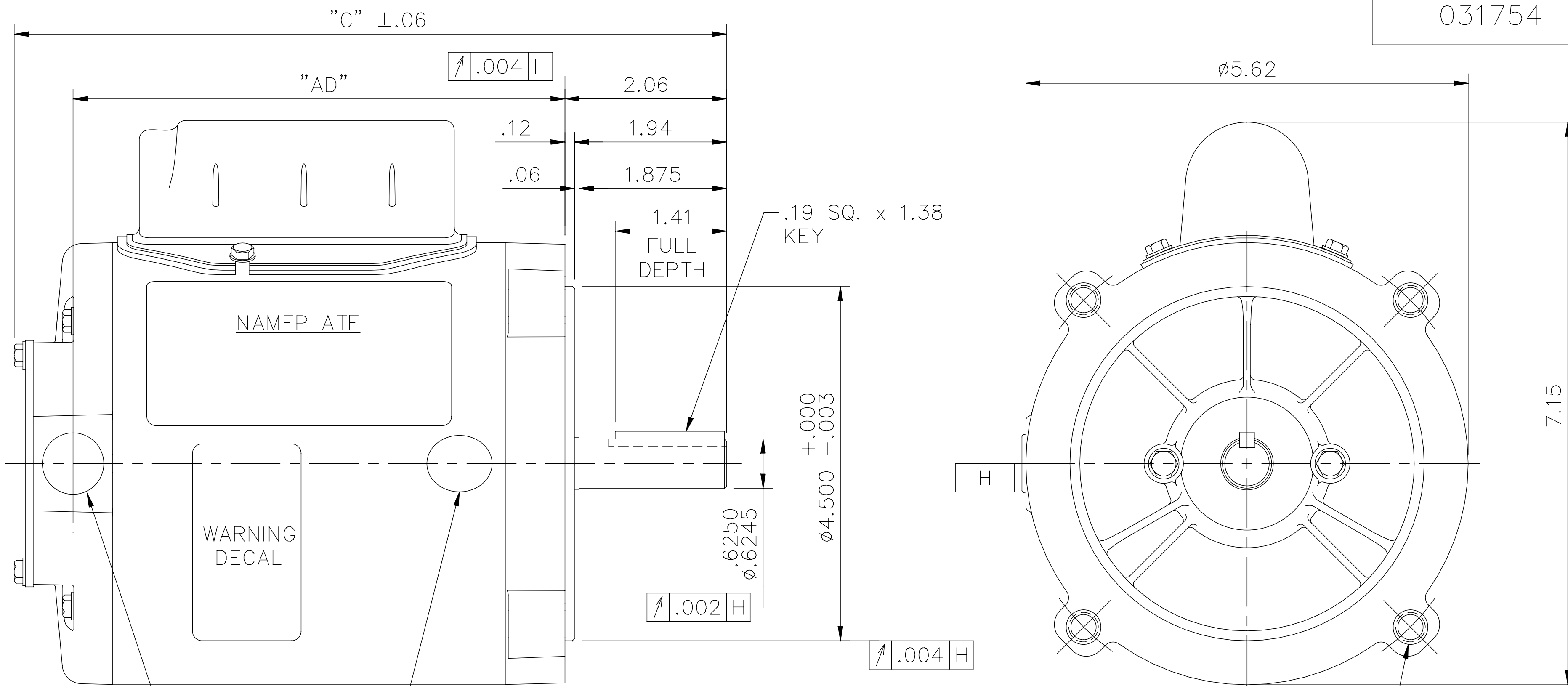


031754




1/2-14 NPT
CONDUIT HOLE
(PLUGGED)

EFF. DECAL
(WHEN REQUIRED)

GASKETS THROUGHOUT

DASH NO.	"C"	"AD"
475	8.80	6.00
500	9.05	6.25
525	9.30	6.50
550	9.55	6.75
575	9.80	7.00
600	10.05	7.25
625	10.30	7.50
650	10.55	7.75
675	10.80	8.00
700	11.05	8.25

3/8-16 UNC 2B TAP x .56 DEEP
(4) REQ'D. ON A $\phi 5.875$ B.C.

				TOLERANCES UNLESS SPECIFIED		 ELECTRIC MOTORS GEARMOTORS AND DRIVES	DRAWN PG 10/27/03	
				DEC.	INCHES		CHK	
				.X	±.1		APPD	
				.XX	±.03		SCALE 1=2	
				.XXX	±.005	TITLE		REF 031727
A	UPDATED WITH CAP BOX, WARNING DECAL & EFF DECAL	SL	10/08/15	VS	.XXXX ±.0005	OUTLINE - S56C FRAME "C" FACE MOUNT - ENCLOSED		FMF 110405.00
NO.	REVISION	BY & DATE	CHK	ANG	±1/2°	MAT'L. 1 PHASE		PREV
				RFP		CAD FILE	031754	SIZE A
				DIST		DRAWING NO. 031754		REV.

THIS DRAWING IN DESIGN AND DETAIL IS OUR PROPERTY AND MUST NOT BE USED EXCEPT IN CONNECTION WITH OUR WORK ALL RIGHTS OF DESIGN AND INVENTION ARE RESERVED THIS IS AN ELECTRONICALLY GENERATED DOCUMENT - DO NOT SCALE THIS PRINT