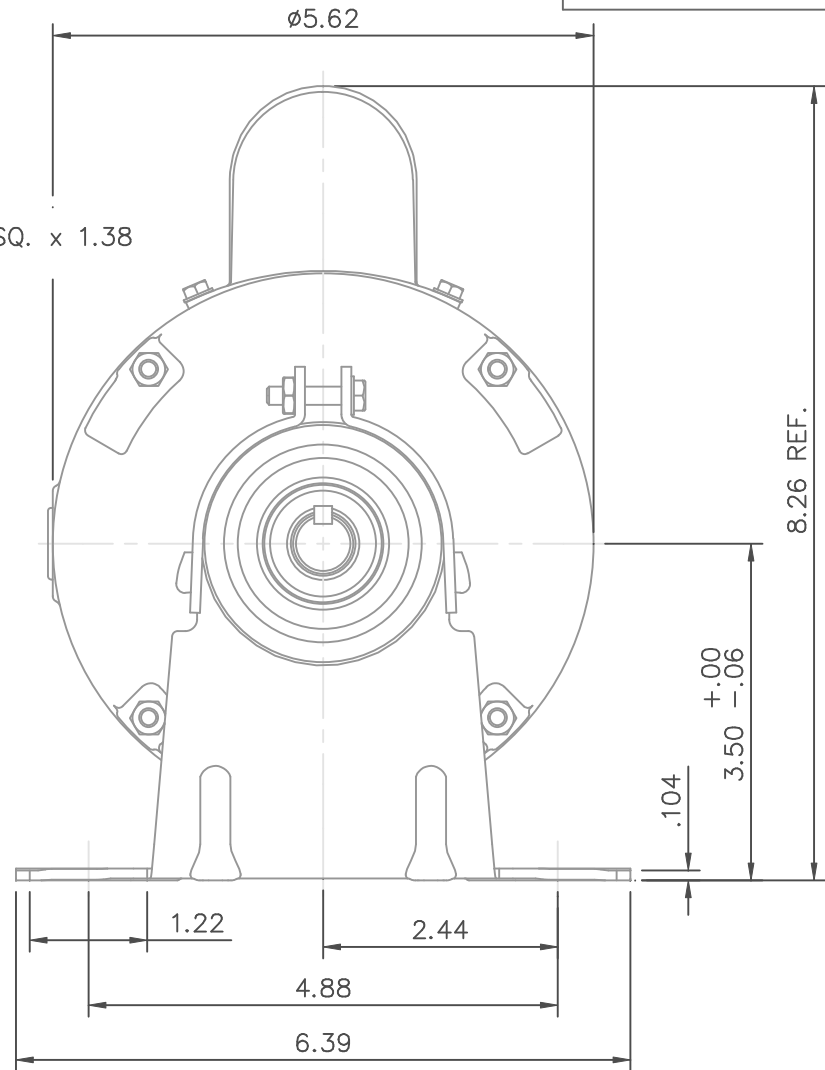
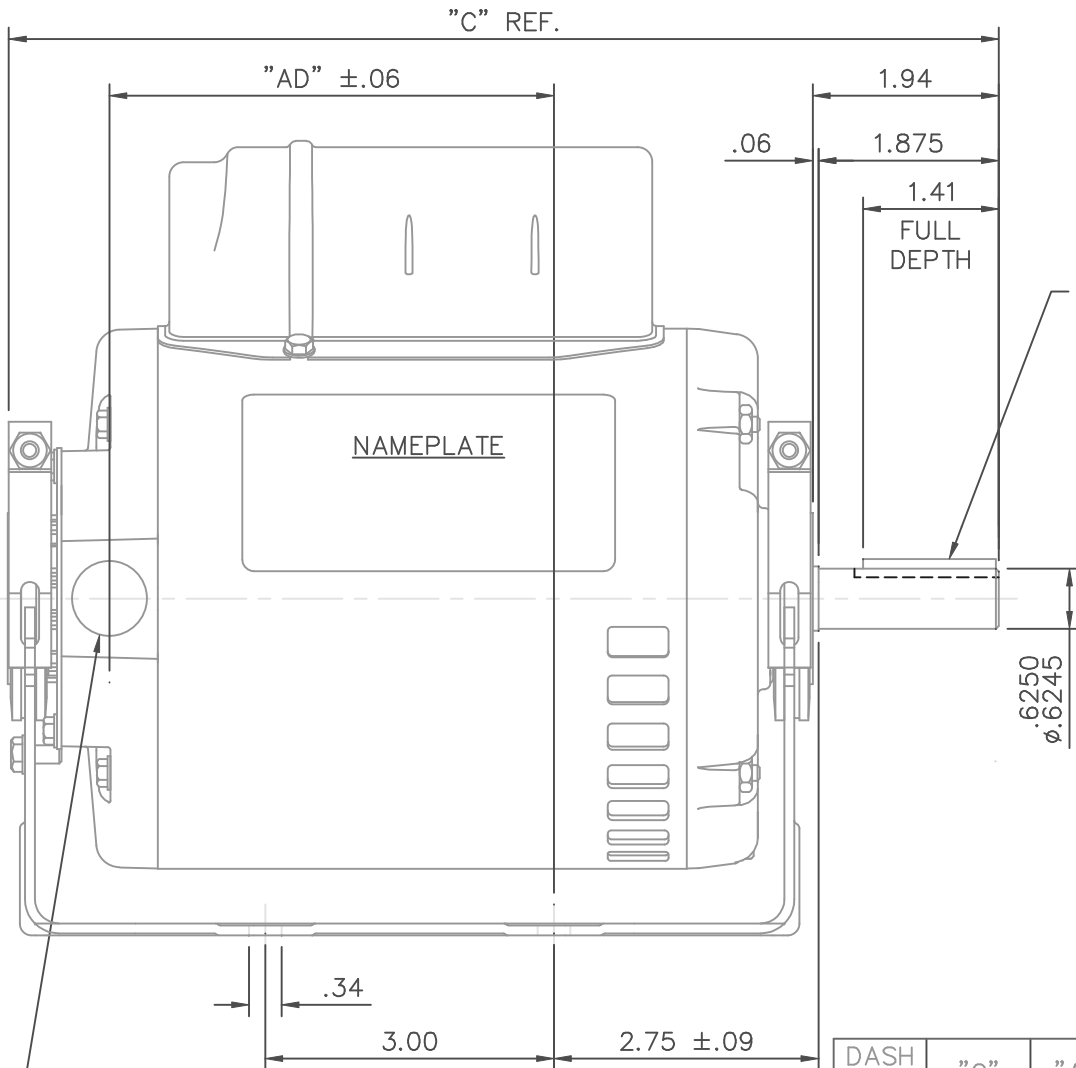


031775



.19 SQ. x 1.38 KEY

DASH NO.	"C"	"AD"
550	10.31	4.62
600	10.81	5.12
650	11.31	5.62
700	11.81	6.12

1/2-14 NPT CONDUIT HOLE (PLUGGED)

				TOLERANCES UNLESS SPECIFIED		LEESON ELECTRIC MOTORS GEARMOTORS AND DRIVES	DRAWN PG 7/25/04
				DEC.	INCHES		CHK
				.X	±.1		APPD
				.XX	±.03		TITLE
				.XXX	±.005		OUTLINE - S56 FRAME RESILIENT MOUNT - DRIP PROOF
				.XXXX	±.0005	MAT'L.	SCALE 1=2
				ANG	±1/2°	FINISH	REF 030187
NO.	REVISION	BY & DATE	CHK	RFP	CAD FILE	031775	FMF 100741.00
				DIST			PREV
THIS DRAWING IN DESIGN AND DETAIL IS OUR PROPERTY AND MUST NOT BE USED EXCEPT IN CONNECTION WITH OUR WORK ALL RIGHTS OF DESIGN AND INVENTION ARE RESERVED THIS IS AN ELECTRONICALLY GENERATED DOCUMENT - DO NOT SCALE THIS PRINT						SIZE	DRAWING NO.
						A	031775
							REV.