

3D PDF DATASHEET



eCATALOGsolutions



BIM catalogs.net



PARTsolutions



Create Your Individual 3D PDF Datasheet ▶

Learn How to Create Your Mechanical Product Catalog ▶

Learn How to Create Your BIM Product Catalog ▶

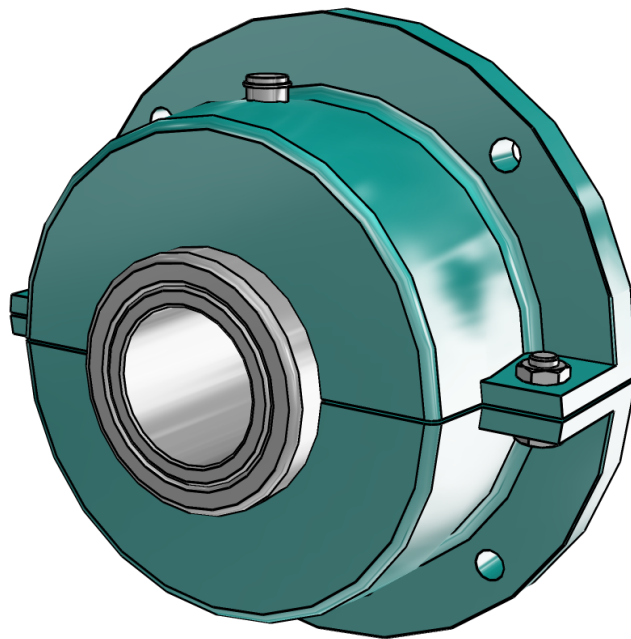
Reduce Your Costs in Engineering and Purchasing ▶

104016 Special Duty

BALDOR • DODGE

3D View

To activate the interactive 3D view, you must trust this document (see hint on the top) in Adobe Acrobat and click on the question mark.



Zoom

Moves you toward or away from objects in the scene when you drag vertically. You can also zoom with the hand tool by holding down Shift as you drag.

Pan

Moves the model vertically and horizontally only. You can also pan with the hand tool: Ctrl-drag.

Rotate

Turns 3D objects around relative to the screen. How the objects move depends on the starting view, where you start dragging and the direction in which you drag.

3D PDF DATASHEET



eCATALOGsolutions



BIM catalogs.net



PARTsolutions



Create Your Individual 3D PDF Datasheet



Learn How to Create Your Mechanical Product Catalog



Learn How to Create Your BIM Product Catalog



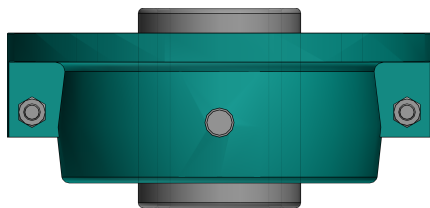
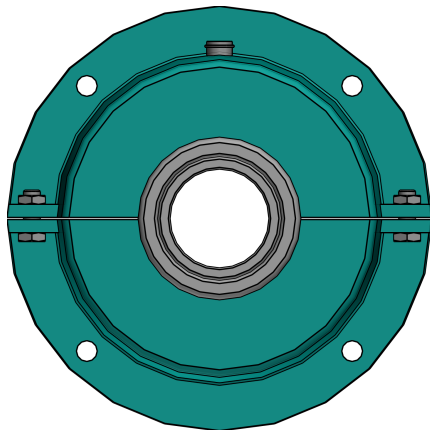
Reduce Your Costs in Engineering and Purchasing



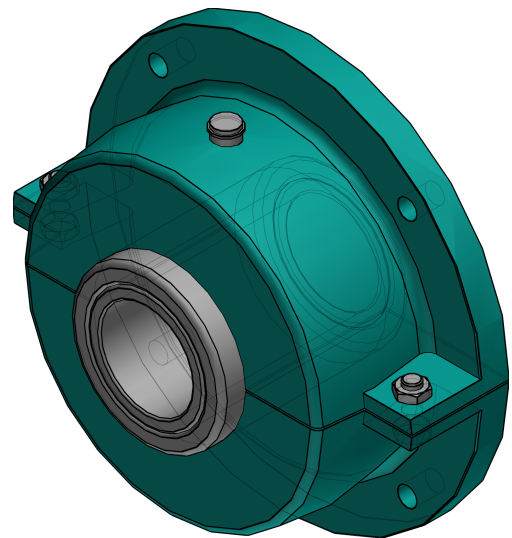
104016 Special Duty



2D Derivation



ISO View



3D PDF DATASHEET



eCATALOGsolutions



BIM catalogs.net



PARTsolutions



Create Your Individual 3D PDF Datasheet



Learn How to Create Your Mechanical Product Catalog



Learn How to Create Your BIM Product Catalog



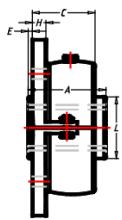
Reduce Your Costs in Engineering and Purchasing



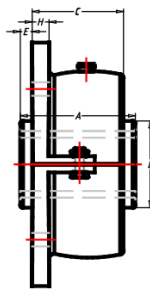
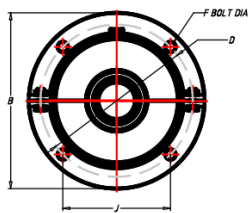
104016
Special Duty

BALDOR • DODGE

Technical Drawings



1-3/8" THRU 3-1/2" CONSTRUCTION



3-11/16" THRU 65" CONSTRUCTION

NOTES:

GREASE USED:
EXXON MOBIL XHP 222

SEAL TYPE:
PISTON-RING SEAL

3D PDF DATASHEET



 eCATALOG solutions



 BIM catalogs.net



 PART solutions



Create Your Individual 3D PDF Datasheet 

Learn How to Create Your Mechanical Product Catalog 

Learn How to Create Your BIM Product Catalog 

Reduce Your Costs in Engineering and Purchasing 

104016 Special Duty

BALDOR • DODGE

Technical Data

SS (Shaft Size / INCH)	5-15/16
PN (Part Number)	104016
TYPE (Expansion Type)	Gray Iron Non-Expansion
DESCRIPTION (Description)	F4B-SD-515
WEIGHT (Weight / lbs)	560
A (A / INCH)	12
B (B / INCH)	25-1/2
C (C / INCH)	9
D (D / INCH)	22-1/2
E (E / INCH)	1-1/2
F (Bolt Diameter / INCH)	1-1/4
H (H / INCH)	1-3/4
J (J / INCH)	15.910
L (L / INCH)	9-1/2
EXP (EXP / INCH)	5/8

3D PDF DATASHEET



 eCATALOG solutions




 BIM catalogs.net



 PART solutions



Create Your Individual 3D PDF Datasheet 

Learn How to Create Your Mechanical Product Catalog 

Learn How to Create Your BIM Product Catalog 

Reduce Your Costs in Engineering and Purchasing 

104016 Special Duty



Bill of Materials

	Name	Description	Amount
1	assembly	104016	1
1.1	f4b_sd_body	F4B-SD-515	1
1.2	f4b_sd_body_ins	III	1
1.3	f4b_sd_body_ins_ring	5-15/16	1