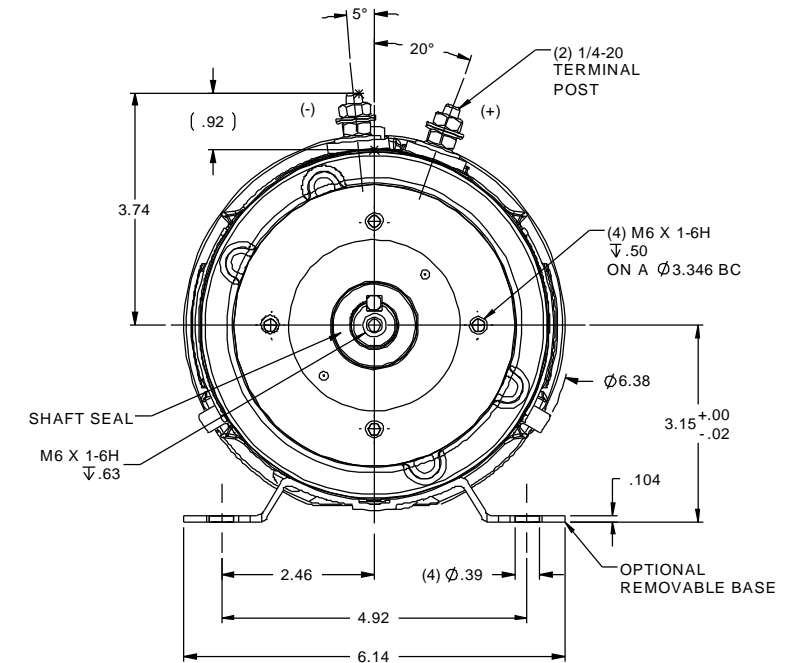
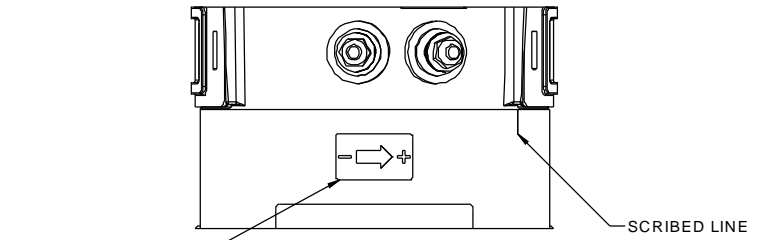
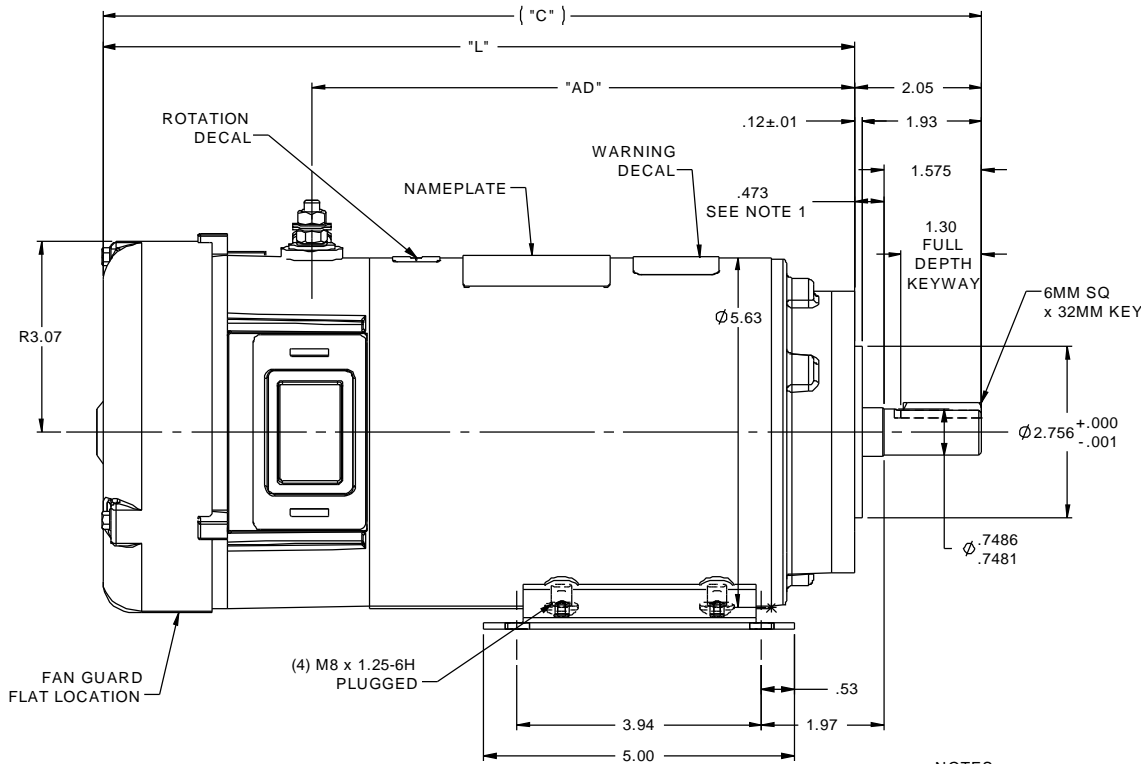
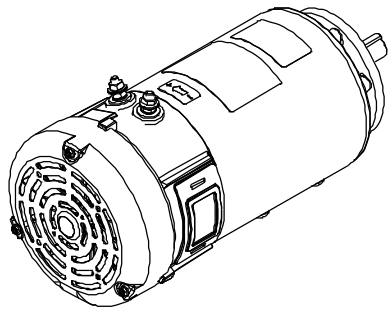


RBC PROPRIETARY AND CONFIDENTIAL INFORMATION  
 This document is the property of REGAL BELOIT CORPORATION ("RBC") including its subsidiaries and divisions and contains proprietary information of RBC. This document is loaned on the express condition that neither the information contained therein shall be disclosed to others without the express written consent of RBC, and that the information shall be used by the recipient only as approved expressly by RBC. This document shall be returned to RBC upon its request. This document may be subject to certain restrictions under U.S. export control laws and regulations.



- NOTES:  
 1) DIMENSION IS SPACE PROVIDED FOR A BOLT-ON B5 OR B14 ADAPTER KIT FOR THE IEC 80 FRAME.  
 2) MAXIMUM FACE RUNOUT TO BE .004 T.I.R.  
 3) MAXIMUM PILOT ECCENTRICITY .004 T.I.R.  
 4) PERMISSIBLE SHAFT RUNOUT .002 T.I.R.  
 5) GASKETS THROUGHOUT.

108456.00	13.65	11.60	8.24	24	.75	3000
108455.00	14.15	12.10	8.74	24	.75	1800
CATALOG No.	"C"	"L"	"AD"	VOLTS	K.W.	RPM



			TOLERANCES UNLESS SPECIFIED		<b>LEESON</b> ELECTRIC MOTORS GEARMOTORS AND DRIVES		DRAWN IPG 1/28/09	
			DEC	INCHES			CHK SK 1/28/09	
01	ADDED NOTE ABOUT FAN GUARD FLAT LOCATION, ISAAC	IPG 12/10/2009	XX	±.03	TITLE OUTLINE		APPR	
	09-4813		XXX	±.005	48 FRAME DC - IEC 80		SCALE 1:2	
	RELEASED: REF. 031065 & 031898	IPG 1/28/2009	SK	XXXX ±.0005	MAT'L		REF 031065	
NO	REVISION	BY & DATE	CHK	ANG ±1/2°	FINISH		FMF 108455.75	
			RFP		PREV		PAGE OF	
THIRD ANGLE PROJECTION			NETWORK FILE NAME			SIZE	DRAWING NO	REV
						B	031910	01