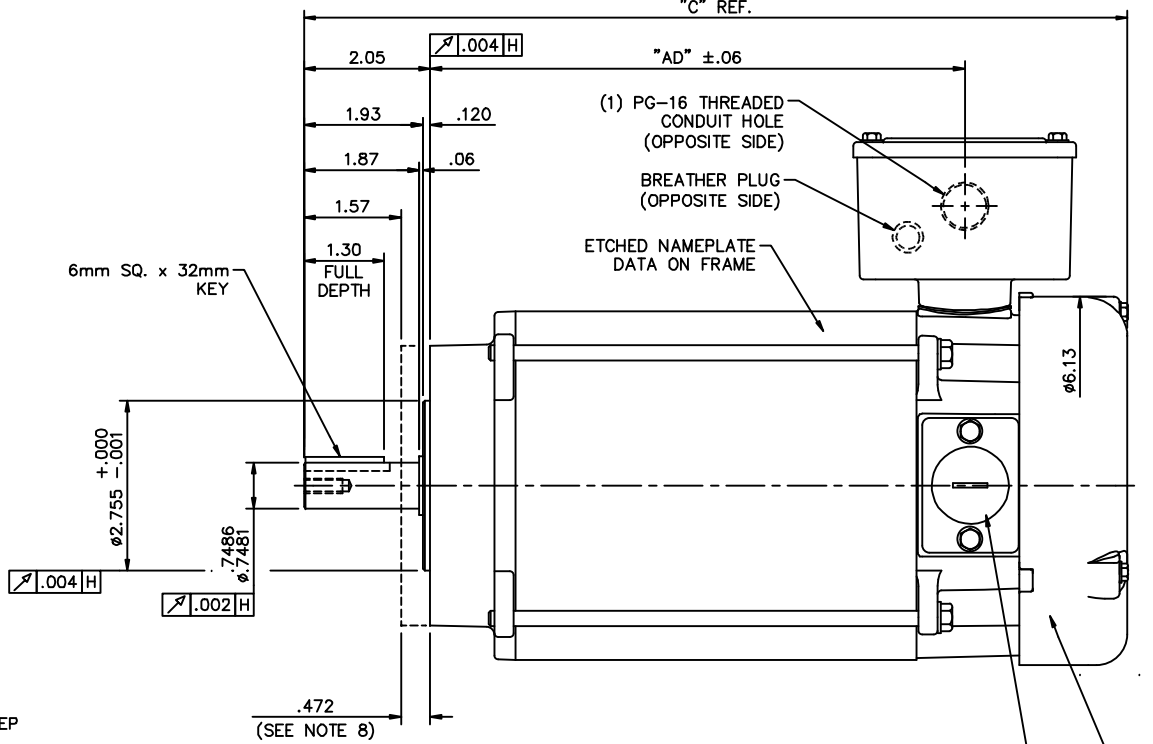


(4) M6x1-6H x .50 DEEP ON A Ø3.346 BC

(1) M6x1-6H TAP x .63 DEEP



DASH NO.	"C"	"AD"
N80	12.87	8.16
R80	13.37	8.66
U80	13.87	9.16
V80	14.37	9.66
W80	14.87	10.16
X80	15.37	10.66
Y80	15.87	11.16
Z80	16.37	11.66

STAINLESS STEEL WASHGUARD MOTOR
SPECIAL FEATURES:

- 1) VITON CONDUIT BOX & COVER GASKETS.
- 2) VITON O-RINGS IN ENDBELL RABBETS.
- 3) VITON O-RINGS IN BRUSH HOLDER & CAP.
- 4) VITON SHAFT SEAL.
- 5) BREATHER PLUGS IN CONDUIT BOX & ENDBELL.
- 6) ETCHED NAMEPLATE DATA ON MOTOR FRAME.
- 7) ALL-STAINLESS STEEL CONSTRUCTION.
- 8) DIMENSION IS SPACE PROVIDED FOR A BOLT-ON B5 OR B14 ADAPTER KIT FOR IEC-80 FRAME.

		TOLERANCES UNLESS SPECIFIED		LEESON ELECTRIC MOTORS GEARMOTORS AND DRIVES		DRAWN PG 12/14/04	
		DEC.	INCHES			CHK	
		.X	±.1			APPD PG 12/14/04	
02	CORRECTED LOCATION OF BREATHER PLUG AND PG-16 HOLE TO MATCH ENDBELL ASSEMBLY, ISAAC 12-032B	IPG	1/25/12	.XX	±.03	TITLE OUTLINE - IEC-80 FRAME METRIC FACE MOUNT - TEFC	
01	ADDED FRAME DESIGNATION TO TABLE, PER 109090.00	IPG	2/4/05	.XXX	±.005	SCALE 1-2 REF 030855	
NO.	REVISION	BY & DATE	CHK	ANG	±1/2'	MATT'L STAINLESS STEEL MOTOR FMF 109090.00	
THIS DRAWING IN DESIGN AND DETAIL IS OUR PROPERTY AND MUST NOT BE USED EXCEPT IN CONNECTION WITH OUR WORK ALL RIGHTS OF DESIGN AND INVENTION ARE RESERVED THIS IS AN ELECTRONICALLY GENERATED DOCUMENT - DO NOT SCALE THIS PRINT				RFP	CAD FILE	031792	SIZE B
				DIST		DRAWING NO. 031792	REV. 02