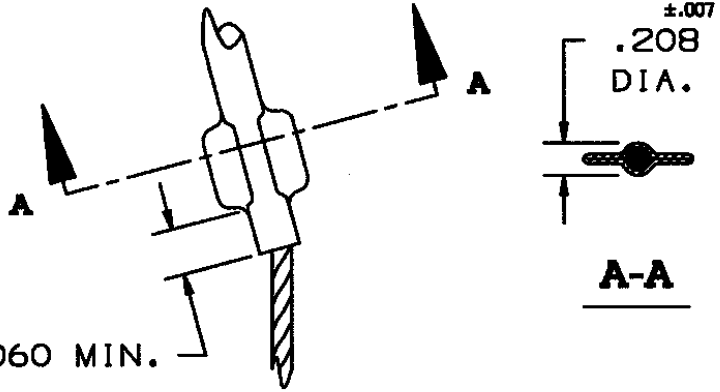
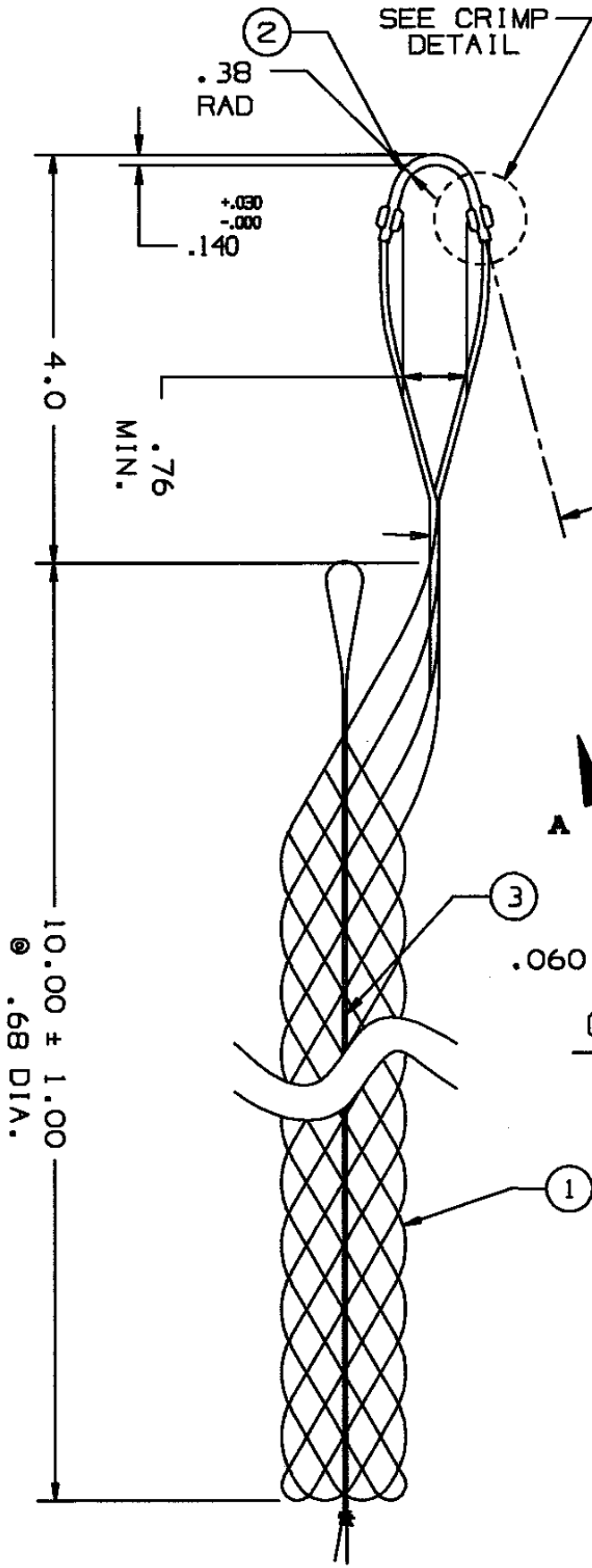


### COMPONENT LIST

ITEM NO.	DESCRIPTION	MAT'L	COMPONENT NO.	QTY.
1	STRAND	T BRZ	302-01-003	-
2	EYE	CU	342-43-004	1
3	LACE	T BRZ	302-74-001	1
4	TAG	MYLAR	309-77-0086	1



**CRIMP DETAIL**  
2 PL.

IN ACCEPTING OUR DRAWINGS OR BLUEPRINTS FOR QUOTATION OR OTHER PURPOSES, YOU AGREE NOT TO DISCLOSE TO OTHERS THE IDEAS, INFORMATION, OR DESIGNS THEREIN SHOWN, AND THAT YOU WILL MAKE NO USE OF OUR DRAWINGS OR BLUEPRINTS OR OF THE IDEAS, INFORMATION, OR DESIGNS THEREIN SHOWN WITHOUT OUR PERMISSION.

TITLE GRIP, STD. SUPPORT, SPLIT-LACE CLOSING, SINGLE WEAVE, SINGLE OFFSET EYE  
DIA. RA .63-.74  
APPROX BRK STR. 750# ±20%

TOLERANCES UNLESS OTHERWISE SPECIFIED  
.X = ±.5  
.XX = ±.05  
.XXX = ±.015  
ANGLE TOL. ± 2°

HUBBELL INCORPORATED  
KELLEMS DIVISION  
STONINGTON, CT

PROJECT NO.	DR. BY FBR	APP. BY FFS
	TR. BY	SCALE N/A
	CHK. BY	DATE 10-22-93

DR. NO.	REV.
022-02-038	J