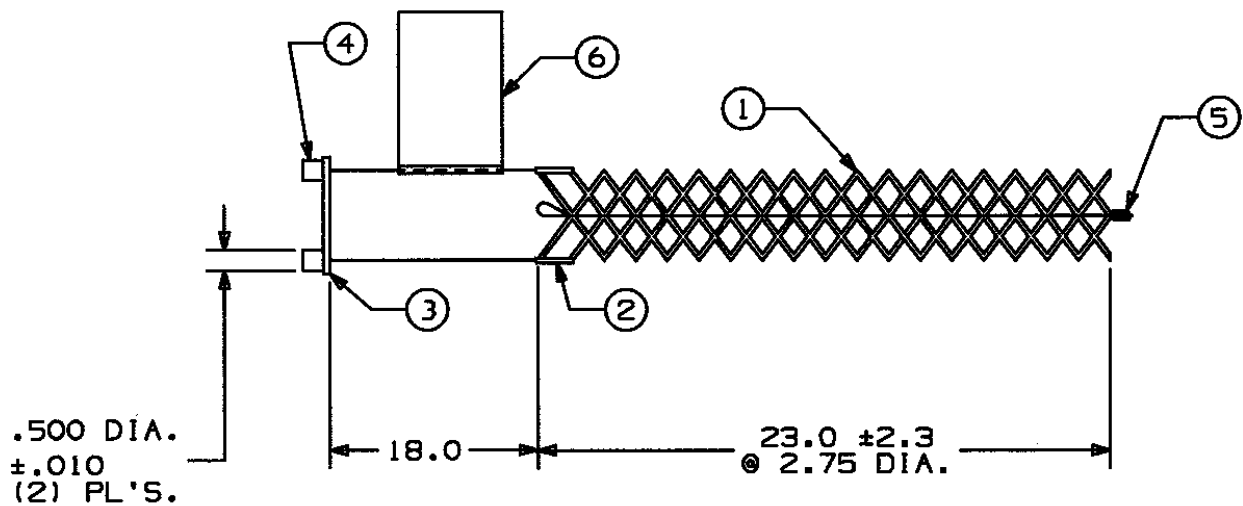


COMPONENT LIST

ITEM NO.	DESCRIPTION	MAT'L	COMPONENT NO.	QTY.
1	STRAND	T.BRZ	302-74-140	8
2	EQUALIZER	SST	304-48-010	2
3	LINK	BRZ	372-55-004	1
4	LUG	BRZ	372-56-021	2
5	LACE	T.BRZ	302-74-009	1
6	TAG	MYLAR		1



IN ACCEPTING OUR DRAWINGS OR BLUEPRINTS FOR QUOTATION OR OTHER PURPOSES, YOU AGREE NOT TO DISCLOSE TO OTHERS THE IDEAS, INFORMATION, OR DESIGNS THEREIN SHOWN, AND THAT YOU WILL MAKE NO USE OF OUR DRAWINGS OR BLUEPRINTS OR OF THE IDEAS, INFORMATION, OR DESIGNS THEREIN SHOWN WITHOUT OUR PERMISSION.

TITLE GRIP - STANDARD SUPPORT - SST
 SPLIT-LACE CLOSING
 SINGLE WEAVE UNIVERSAL BAILE
 DIA. RA. 2.50-2.99
 DESCRIPTION: RSU 250-18
 APP. BRK. STR. (LBS.) = 3260

TOLERANCES UNLESS OTHERWISE SPECIFIED
 .X = ±.5
 .XX = ±.05
 .XXX = ±.015
 ANGLE TOL. ± 2°

HUBBELL INCORPORATED
 KELLEMS DIVISION
 STONINGTON, CT

DR. BY KJW	APP. BY MLF
TR. BY	SCALE NONE
CHK. BY JLW	DATE 3/19/93

DR. NO. 022-02-059

REV. S