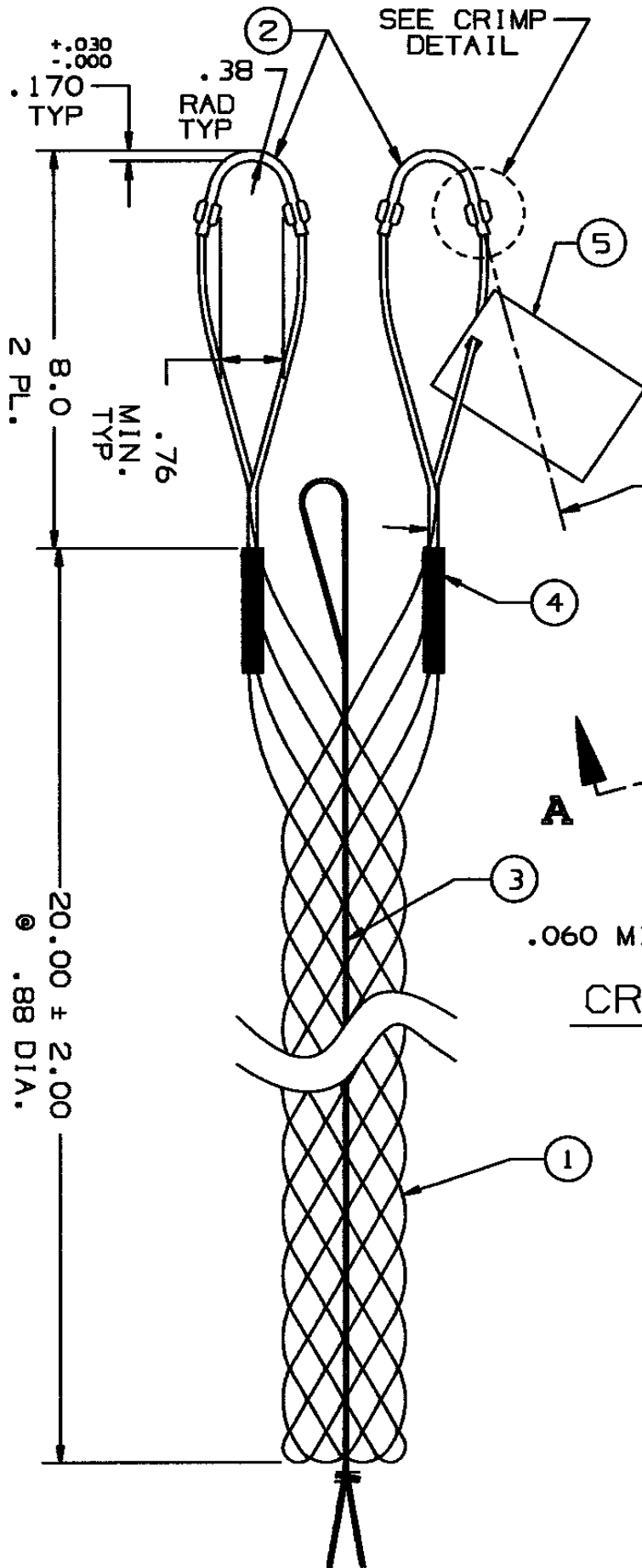
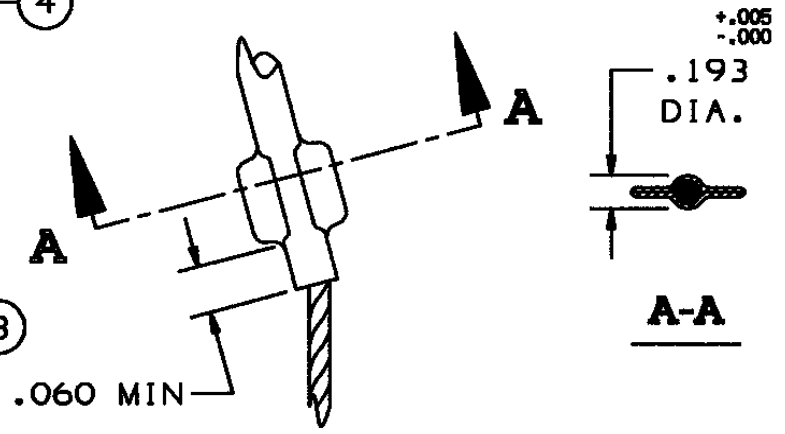


COMPONENT LIST

ITEM NO.	DESCRIPTION	MAT'L	COMPONENT NO.	QTY.
1	STRAND	T BRZ	302-01-004	-
2	EYE	SST	304-46-078	2
3	LACE	T BRZ	302-74-003	1
4	EQUALIZER	SST	304-48-007	2
5	TAG	MYLAR		1



22.5°
4 PL.



CRIMP DETAIL

4 PL.

IN ACCEPTING OUR DRAWINGS OR BLUEPRINTS FOR QUOTATION OR OTHER PURPOSES, YOU AGREE NOT TO DISCLOSE TO OTHERS THE IDEAS, INFORMATION, OR DESIGNS THEREIN SHOWN, AND THAT YOU WILL MAKE NO USE OF OUR DRAWINGS OR BLUEPRINTS OR OF THE IDEAS, INFORMATION, OR DESIGNS THEREIN SHOWN WITHOUT OUR PERMISSION.

TITLE GRIP, MED. SUPPORT, SPLIT-LACE CLOSING, SINGLE WEAVE, DOUBLE EYE
DIA. RA .75-.99
APPROX BRK STR. 1020# ±20%

TOLERANCES UNLESS OTHERWISE SPECIFIED
.X = ±.5
.XX = ±.05
.XXX = ±.015
ANGLE TOL. ± 2°

HUBBELL INCORPORATED
KELLEMS DIVISION
STONINGTON, CT

PROJECT NO.

DR. BY JVO APP. BY FFS
TR. BY SCALE N/A
CHK. BY FFS DATE 12/14/95

DR. NO. 022-05-001 REV. 5