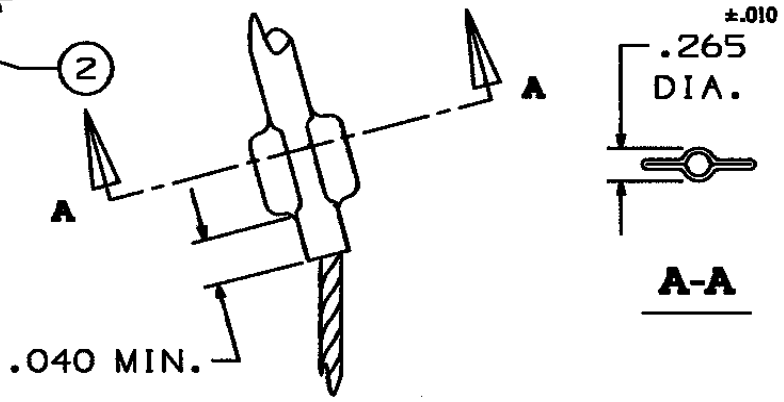


COMPONENT LIST

ITEM NO.	DESCRIPTION	MAT'L	COMPONENT NO.	QTY.
1	MESH	T.BRZ	302-01-005	-
2	EQUALIZER	SST	304-48-008	2
3	EYE	SST	304-46-080	1
4	LACE	T.BRZ	302-74-007	1
5	TAG	MYLAR		1

CRIMP DETAIL
2 PL.



IN ACCEPTING OUR DRAWINGS OR BLUEPRINTS FOR QUOTATION OR OTHER PURPOSES, YOU AGREE NOT TO DISCLOSE TO OTHERS THE IDEAS, INFORMATION, OR DESIGNS THEREIN SHOWN, AND THAT YOU WILL MAKE NO USE OF OUR DRAWINGS OR BLUEPRINTS OR OF THE IDEAS, INFORMATION, OR DESIGNS THEREIN SHOWN WITHOUT OUR PERMISSION.

TITLE
GRIP-MEDIUM SUPPORT-SPLIT, LACE CLOSING-SINGLE WEAVE, SINGLE "U" EYE. DIA. RANGE 1.25-1.49 APPROX. BRK. STR. (LBS.) 1610

TOLERANCES UNLESS OTHERWISE SPECIFIED .XX = ±.05 .XXX = ±.015 .XXXX = ±.0025 ANGLE TOL. ± 2°	HUBBELL INCORPORATED KELLEMS DIVISION STONINGTON, CT	
	DR. BY: MLF	APP. BY:
PROJECT NO.	TR. BY	SCALE NONE
	CHK. BY	DATE: 12/9/92

DR. NO.	REV.
022-05-011	N