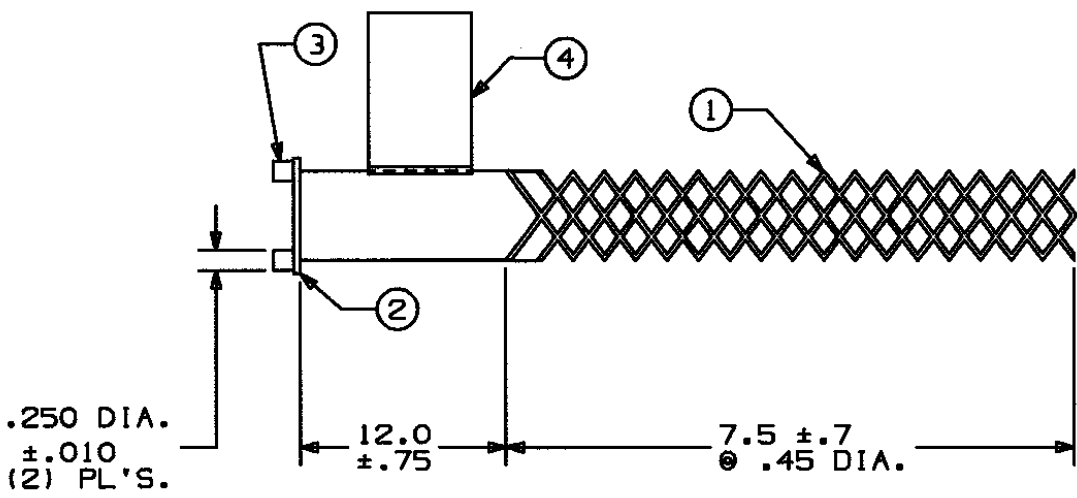


COMPONENT LIST

ITEM NO.	DESCRIPTION	MAT'L	COMPONENT NO.	QTY.
1	STRAND	T-BRZ	302-01-002	-
2	LINK	BRZ	372-55-001	1
3	LUG	BRZ	372-56-008	2
4	TAG	MYLAR		1



IN ACCEPTING OUR DRAWINGS OR BLUEPRINTS FOR QUOTATION OR OTHER PURPOSES, YOU AGREE NOT TO DISCLOSE TO OTHERS THE IDEAS, INFORMATION, OR DESIGNS THEREIN SHOWN, AND THAT YOU WILL MAKE NO USE OF OUR DRAWINGS OR BLUEPRINTS OR OF THE IDEAS, INFORMATION, OR DESIGNS THEREIN SHOWN WITHOUT OUR PERMISSION.

TITLE GRIP - HEAVY DUTY SERVICE DROP
CLOSED MESH - SINGLE/DOUBLE WEAVE
UNIVERSAL BALE
DIA. RA. .41-.50, DESCRIPTION: NAU-7
APP. BRK. STR. (LBS.) = 870

TOLERANCES UNLESS OTHERWISE SPECIFIED .X = ±.5 .XX = ±.05 .XXX = ±.015 ANGLE TOL. ± 2°	HUBBELL INCORPORATED KELLEMS DIVISION STONINGTON, CT	
PROJECT NO. / /	DR. BY KJW	APP. BY MLF
	TR. BY	SCALE NONE
	CHK. BY JLW	DATE 3/19/93

DR. NO. 022-17-019	REV. J
--	--