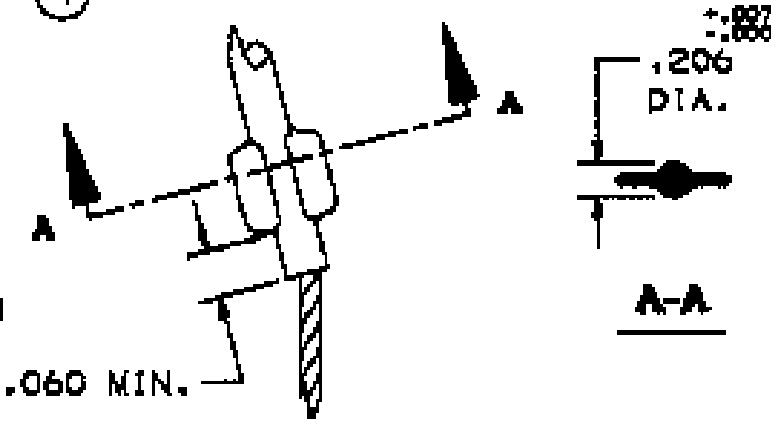
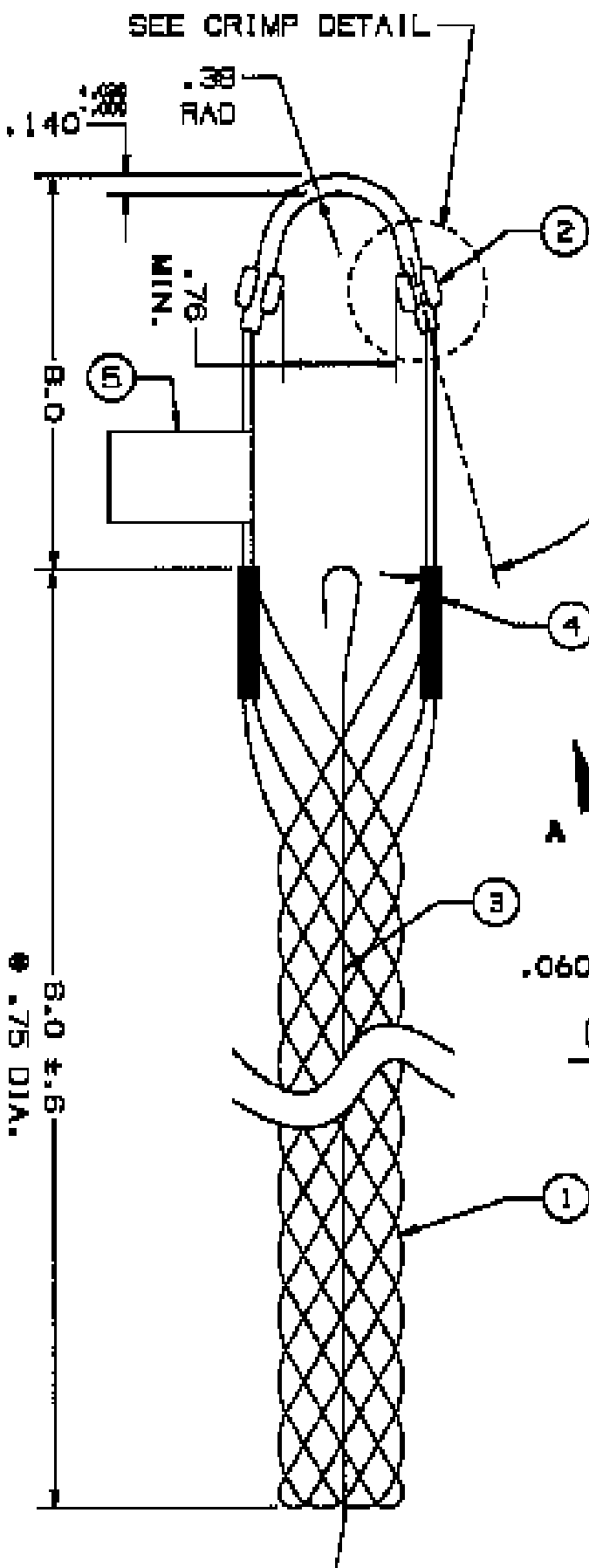


**COMPONENT LIST**

| ITEM NO. | DESCRIPTION | MAT'L | COMPONENT NO. | QTY. |
|----------|-------------|-------|---------------|------|
| 1        | STRAND      | T BRZ | 302-01-009    | -    |
| 2        | EYE         | 99T   | 304-48-079    | 1    |
| 3        | ROD         | 99T   | 304-63-006    | 1    |
| 4        | EQUALIZER   | BRZ   | 352-47-002    | 2    |
| 5        | TAG         | MYLAR |               | 1    |
|          |             |       |               |      |
|          |             |       |               |      |
|          |             |       |               |      |
|          |             |       |               |      |
|          |             |       |               |      |



**CRIMP DETAIL**  
2 PL.

IN ACCEPTING OUR DRAWINGS OR BLUEPRINTS FOR QUOTATION OR OTHER PURPOSES, YOU AGREE NOT TO DISCLOSE TO OTHERS THE IDEAS, INFORMATION, OR DESIGNS THEREIN HEREIN, AND THAT YOU WILL MAKE NO USE OF OUR DRAWINGS OR BLUEPRINTS OR OF THE IDEAS, INFORMATION, OR DESIGNS THEREIN SHOWN WITHOUT OUR PERMISSION.

TITLE GRIP, STD. SUPPORT, SPLIT-ROD CLOSING, SINGLE WEAVE, SINGLE "U" EYE  
DIA. RA .68-.88  
APPROX BRK STR. 780+ ±20%

|  |   |
|--|---|
| TOLERANCES UNLESS OTHERWISE SPECIFIED<br>X ± .05<br>.30 ± .008<br>.003 ± .001<br>ANGLE TOL. ± 2° | HUBBELL INCORPORATED<br>MELLEN DIVISION<br>STONINGTON, CT |
| DR. BY DF  | APP. BY JLW   |
| PROJECT NO.  | TR. BY JND<br>CHK. BY JLW                                 |
|  | SCALE N/A<br>DATE 1/25/88                                 |

DR. NO. 022-29-1022  
REV. G

SUPERSEDES DWG DATED 5-31-81