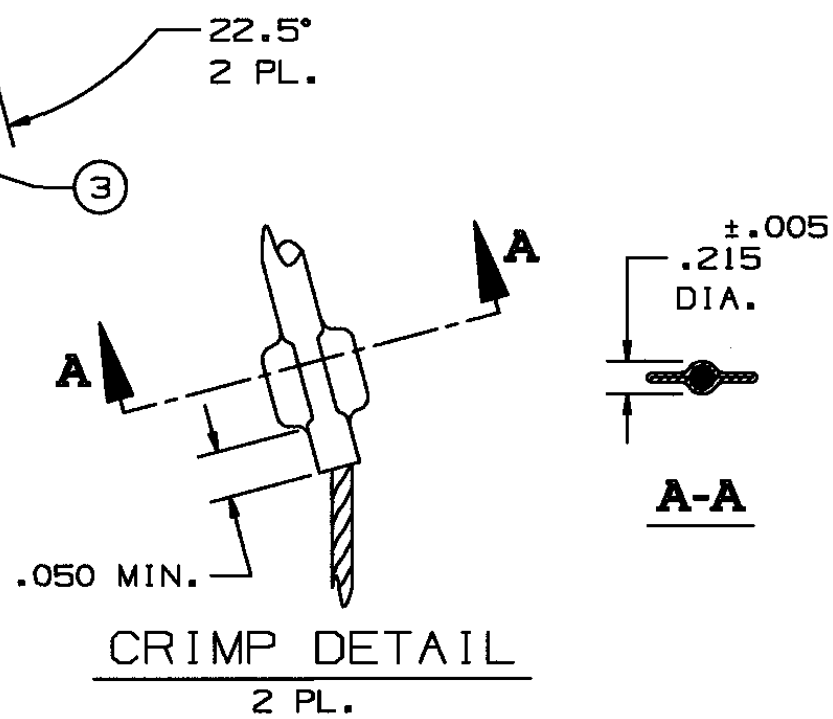
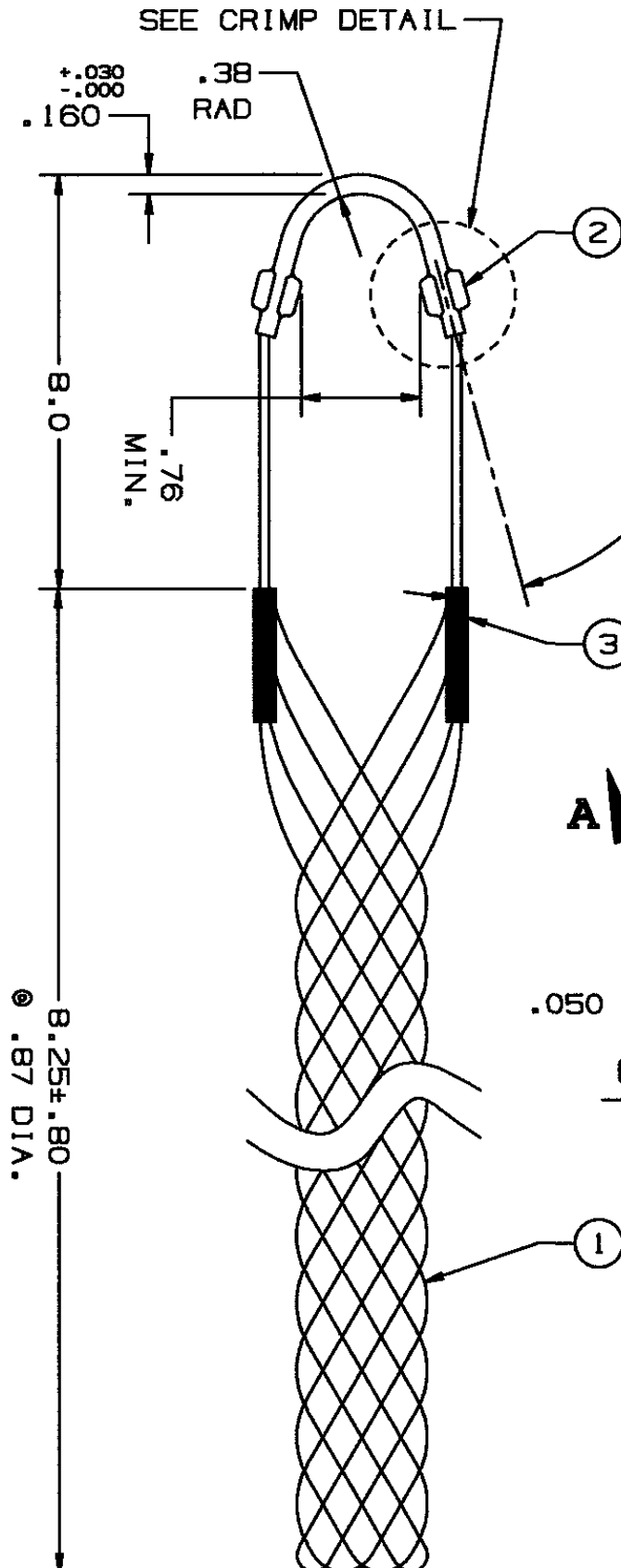


COMPONENT LIST

ITEM NO.	DESCRIPTION	MAT'L	COMPONENT NO.	QTY.
1	STRAND	SST		
2	EYE	SST		
3	EQUALIZER	BRZ		
4	TAG	MYLAR		



IN ACCEPTING OUR DRAWINGS OR BLUEPRINTS FOR QUOTATION OR OTHER PURPOSES, YOU AGREE NOT TO DISCLOSE TO OTHERS THE IDEAS, INFORMATION, OR DESIGNS THEREIN SHOWN, AND THAT YOU WILL MAKE NO USE OF OUR DRAWINGS OR BLUEPRINTS OR OF THE IDEAS, INFORMATION, OR DESIGNS THEREIN SHOWN WITHOUT OUR PERMISSION.

TITLE GRIP, STD. SUPPORT, CLOSED MESH, SST SINGLE WEAVE, SINGLE EYE
DIA. RA. .81-.94
APPROX. BRK. STR. 2050# ±20%

TOLERANCES UNLESS OTHERWISE SPECIFIED .X = ±.5 .XX = ±.05 .XXX = ±.015 ANGLE TOL. ± 2°	HUBBELL INCORPORATED KELLEMS DIVISION STONINGTON, CT	
	DR. BY KJW	APP. BY FFS
PROJECT NO.	TR. BY	SCALE
	CHK. BY	DATE 12/3/93

DR. NO. 024-16-011	REV. J
------------------------------	-----------

SHEET 1 OF 1