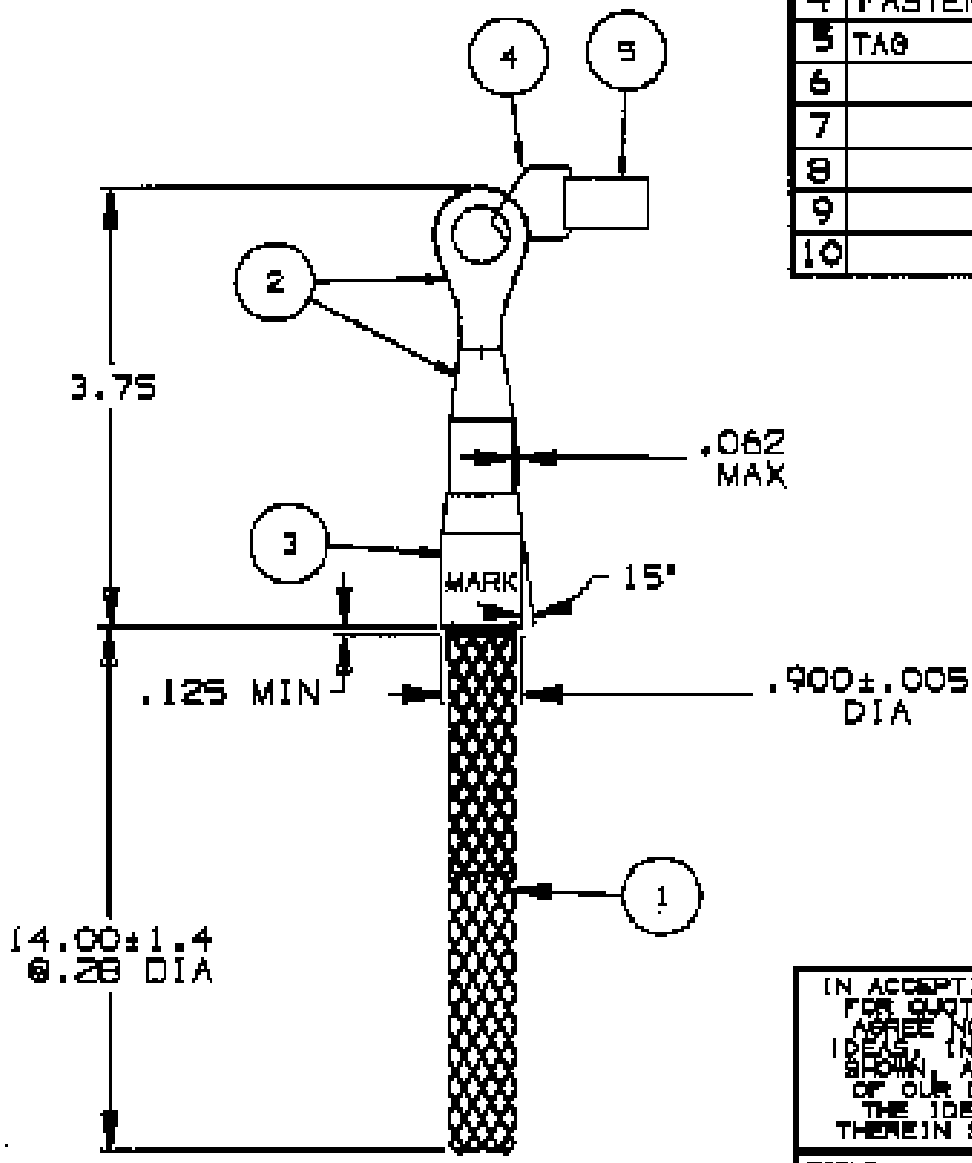


COMPONENT LIST

| ITEM NO. | DESCRIPTION | MAT'L   | COMPONENT NO. | QTY. |
|----------|-------------|---------|---------------|------|
| 1        | MESH        | B-STL   | 373-01-002    | -    |
| 2        | EYE         | STL     | 373-54-007    | 1    |
| 3        | SLEEVE      | AL      | 341-44-547    | 1    |
| 4        | FASTENER    | PLUSTIC | 316-20-001    | 1    |
| 5        | TAG         | NYLAR   |               | 1    |
| 6        |             |         |               |      |
| 7        |             |         |               |      |
| 8        |             |         |               |      |
| 9        |             |         |               |      |
| 10       |             |         |               |      |



IN ACCEPTING OUR DRAWINGS OR BLUEPRINTS FOR QUOTATION OR OTHER PURPOSES, YOU AGREE NOT TO DISCLOSE TO OTHERS THE IDEAS, INFORMATION, OR DESIGNS THEREIN SHOWN, AND THAT YOU WILL MAKE NO USE OF OUR DRAWINGS OR BLUEPRINTS OR OF THE IDEAS, INFORMATION, OR DESIGNS THEREIN SHOWN WITHOUT OUR PERMISSION.

TITLE: GRIP - FIBER OPTIC PULLING, CLOSED MESH, MULTI-WEAVE SWIVEL EYE  
 DIA. RA. .21 - .35  
 DESCRIPTION 1/4 FOSE  
 APPROX. BKR. STR. 1500 LBS.

TOLERANCES UNLESS OTHERWISE SPECIFIED  
 .X = .005  
 .XX = .0025  
 .XXX = .0015  
 ANGLE TOL. ± 2°

HUBBELL INCORPORATED  
 KELLEYS DIVISION  
 STONINGTON, CT

DR. BY GPK APP. BY PFS  
 TR. BY SCALE NONE  
 CHK. BY PFS DATE 3/1/01

DR. NO. 033-29-1008 REV. D