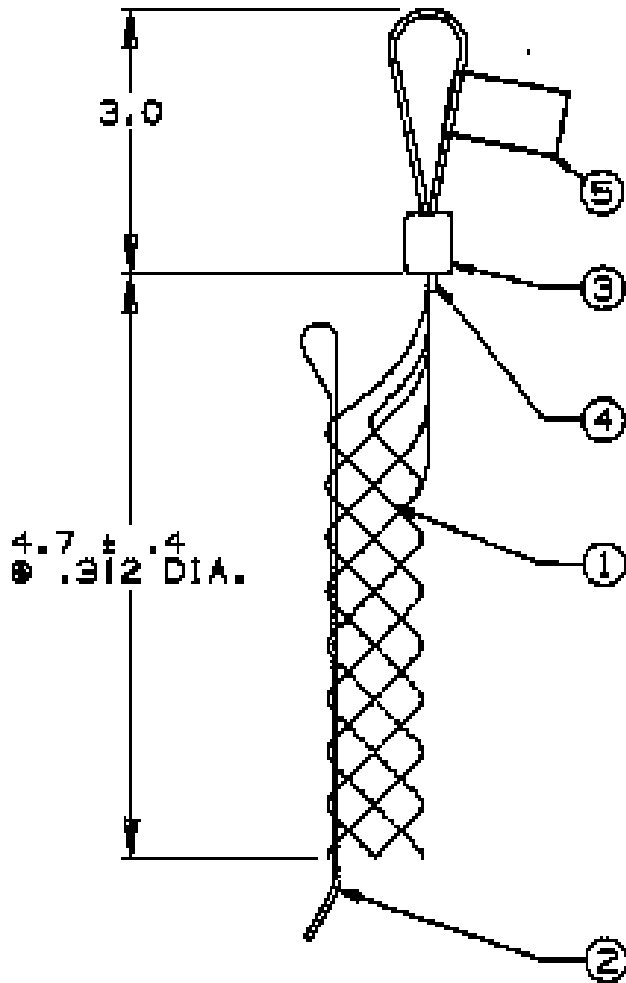


COMPONENT LIST

ITEM NO.	DESCRIPTION	MAT'L	COMPONENT NO.	QTY.
1	MESH	BRNY STL	373-01-001	-
2	ROD	ST	304-53-024	1
3	LUG	ALUM	341-66-008	1
4	TAB	CU	312-43-040	1
5	TAG	MYLAR		1



SUPERSEDES DWG DATED 5/81

IN ACCEPTING OUR DRAWINGS OR BLUEPRINTS FOR QUOTATION OR OTHER PURPOSES, YOU AGREE NOT TO DISCLOSE TO OTHERS THE IDEAS, INFORMATION, OR DESIGN THEREIN SHOWN, AND THAT YOU WILL MAKE NO USE OF OUR DRAWINGS OR BLUEPRINTS OR OF THE IDEAS, INFORMATION, OR DESIGN THEREIN SHOWN WITHOUT OUR PERMISSION.

TITLE
 FIBER OPTIC SLACK PULLING
 SPLIT MESH-ROD CLOSING
 SINGLE WEAVE-SINGLE
 OFFSET EYE
 DIA. RA. .25-.37
 DESCR. FOSP-25
 APPROX. BRK. STR. 300*

TOLERANCES UNLESS OTHERWISE SPECIFIED
 .25 = ± .005
 .30 = ± .005
 .37 = ± .010
 ANGLE TOL. = 2°

HUBBELL INCORPORATED
 KELLING DIVISION
 STONINGTON, CT

PROJECT NO.

DR. BY DR.	APP. BY PFS
TR. BY ANZ	SCALE N/A
CHK. BY PFS	DATE 4/28/00

DR. NO.

REV.

033-29-1015

H