

Kellems® Wire Management Products
 Strain Relief Grips
 Dust-Tight Strain Relief Grips

HUBBELL

Features

- Aluminum Fitting
- Galvanized steel mesh provides high strength
- Insulating Bushing

Ordering Information

Description	Thread Size	UPC	Catalog Number
Insulated, Strain Relief with Insulating Bushing	2 1/2 NPT	783585330143	073031214

Listings

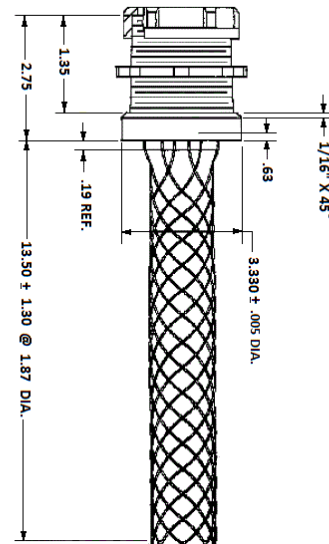
UL Listed
 CSA Certified

Specifications

Strand	Galvanized Steel
Body	Aluminum
Sleeve	Aluminum
Bushing	Plastic
Seal	Neoprene
Locknut	Steel

Performance

Environmental	
Flammability	UL 94HB (Strand grip), UL 94V-2 (Fitting)
Hazardous Locations	Suitable for use in hazardous locations per Class I Div. 2, Class II Div. 1 & 2, Class III Div. 1 & 2 N.E.C



Online Resources

Customer Use Drawing
 eCatalog
 Installation Instructions

Dimensions in Inches (mm)

Hubbell Wiring Device-Kellems • Hubbell Incorporated (Delaware) • 40 Waterview Drive • Shelton, CT 06484

Phone (800) 288-6000 • Fax (800) 255-1031 • Specifications subject to change without notice.

