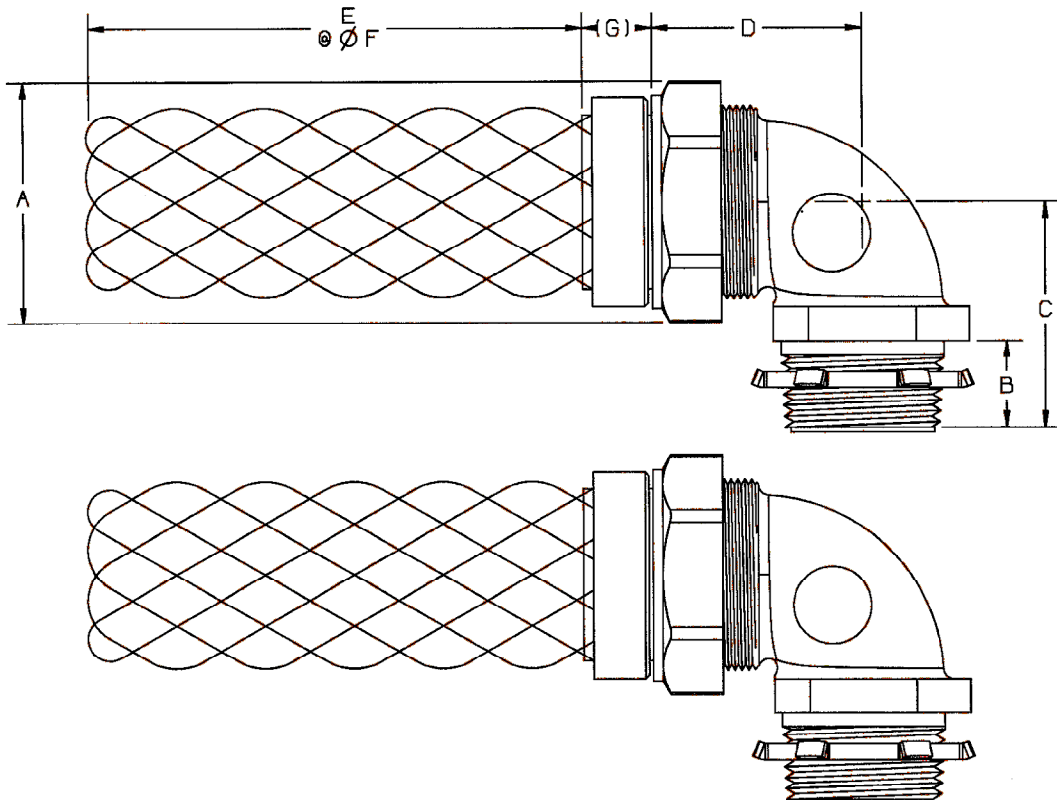


M-10129 | 1



INSULATED GRIP CAT. NO. *	UNINSULATED GRIP CAT. NO. *	CONDUIT SIZE	METRIC DESIGNATOR	A INCHES ±.015 [mm ±0.4]	B INCHES ±.015 [mm ±0.4]	THREAD SIZE NPT	METRIC DESIGNATOR	C INCHES ±.015 [mm ±0.4]	D INCHES [mm]	LENGTH INCHES [mm]	E TOL. (±) INCHES [mm]	Ø F INCHES [mm]	F INCHES [mm]
074093541	074093421	3/8"	12	1.082 [28.988]	.594 [15.081]	1/2"	16	1.312 [33.325]	1.437 [36.500]	3.00 [76.20]	.30 [7.62]	.710 [18.034]	.375 [9.525]
074093542	074093422	1/2"	18	1.188 [30.183]	.594 [15.081]	1/2"	16	1.312 [33.325]	1.437 [36.500]	3.80 [96.08]	.50 [12.70]	.840 [21.336]	.437 [11.100]
074093543	074093423	3/4"	21	1.453 [36.909]	.594 [15.081]	3/4"	21	1.437 [36.500]	1.625 [41.275]	4.00 [101.60]	.40 [10.16]	1.050 [26.670]	.562 [14.275]
074093544	074093424	1"	27	1.719 [43.856]	.656 [16.669]	1"	27	1.781 [45.237]	2.187 [55.550]	5.00 [127.00]	.50 [12.70]	1.315 [33.401]	.625 [15.875]
074093545	074093425	1-1/4"	35	2.187 [55.583]	.625 [15.875]	1-1/4"	35	1.988 [50.013]	2.500 [63.500]	6.00 [152.40]	.60 [15.24]	1.660 [42.164]	.688 [17.475]
074093546	074093426	1-1/2"	41	2.500 [63.500]	.625 [15.875]	1-1/2"	41	2.187 [55.550]	2.687 [68.250]	6.70 [170.18]	.67 [17.02]	1.880 [50.548]	1.125 [28.575]
074093548	074093428	2"	53	3.000 [76.200]	.656 [16.669]	2"	53	2.531 [64.287]	3.250 [82.550]	8.00 [203.20]	.80 [20.32]	2.375 [60.325]	1.250 [31.750]
074093550		2-1/2"	63	3.625 [92.075]	1.000 [25.400]	2-1/2"	63	3.375 [85.725]	4.250 [107.950]	9.70 [246.38]	.50 [12.70]	2.875 [73.025]	.938 [23.825]
074093552		3"	78	4.312 [109.525]	1.000 [25.400]	3"	78	3.687 [93.650]	4.875 [123.825]	11.00 [279.40]	.50 [12.70]	3.500 [88.900]	1.125 [28.575]

* FOR USE WITH FLEXIBLE TYPE 'B' METALLIC & NONMETALLIC LIQUID-TIGHT CONDUIT

- A = COMPRESSION NUT FLATS
- B = THREAD LENGTH & THREAD SPEC.
- C = THREAD TO BEND
- D = NUT TO BEND
- E = GRIP LENGTH AT SPECIFIED DIAMETER

CODE 74545

LIST OF PARTS

DESCRIPTION	MATERIAL	FINISH
BODY 3/8"-1" T.S.	STEEL	ZINC PLATE
BODY 1-1/4"-4" T.S.	IRON	ZINC PLATE
COMPRESSION NUT:		
3/8"-1" T.S.	STEEL	ZINC PLATE
1-1/4"-4" T.S.	IRON	ZINC PLATE
FERRULE	STEEL	ZINC PLATE
SPLIT SEAL RING	NYLON	YELLOW
SEALING WASHER	NYLON	YELLOW
INSULATOR	NYLON	YELLOW
LOCKNUT	STEEL	ZINC PLATE
GRIP MESH	ST. STEEL	
GRIP INT. SLEEVE	STEEL	ZINC PLATE
GRIP EXT. SLEEVE	ALUM.	

1	RELEASED PER DCN 13131 ABS	CJC	6/9/06
SYM	REVISIONS	APP	DATE

THE DESIGN AND DIMENSIONS OF THE PRODUCT SHOWN ON THIS DRAWING ARE SUBJECT TO CHANGE WITHOUT NOTICE

TITLE		90° FLEXIBLE METALLIC CONDUIT GRIPS	
TOLERANCES UNLESS OTHERWISE SPECIFIED		WIRING DEVICE-KELLEMS HUBBELL INCORPORATED BRIDGEPORT, CT	
FRACTIONS ± 1/64	DR. BY ABS	APP. BY CJC	
DECIMALS ± .005	TR. BY	SCALE NONE	
ANGLES ± 2°	CHK'D BY CJC	DATE 6/9/06	

DIMENSION SHEET FOR CAT. NO. M-10129
 REPAIRABLE NON-REPAIRABLE
 SEE TABLE
 1