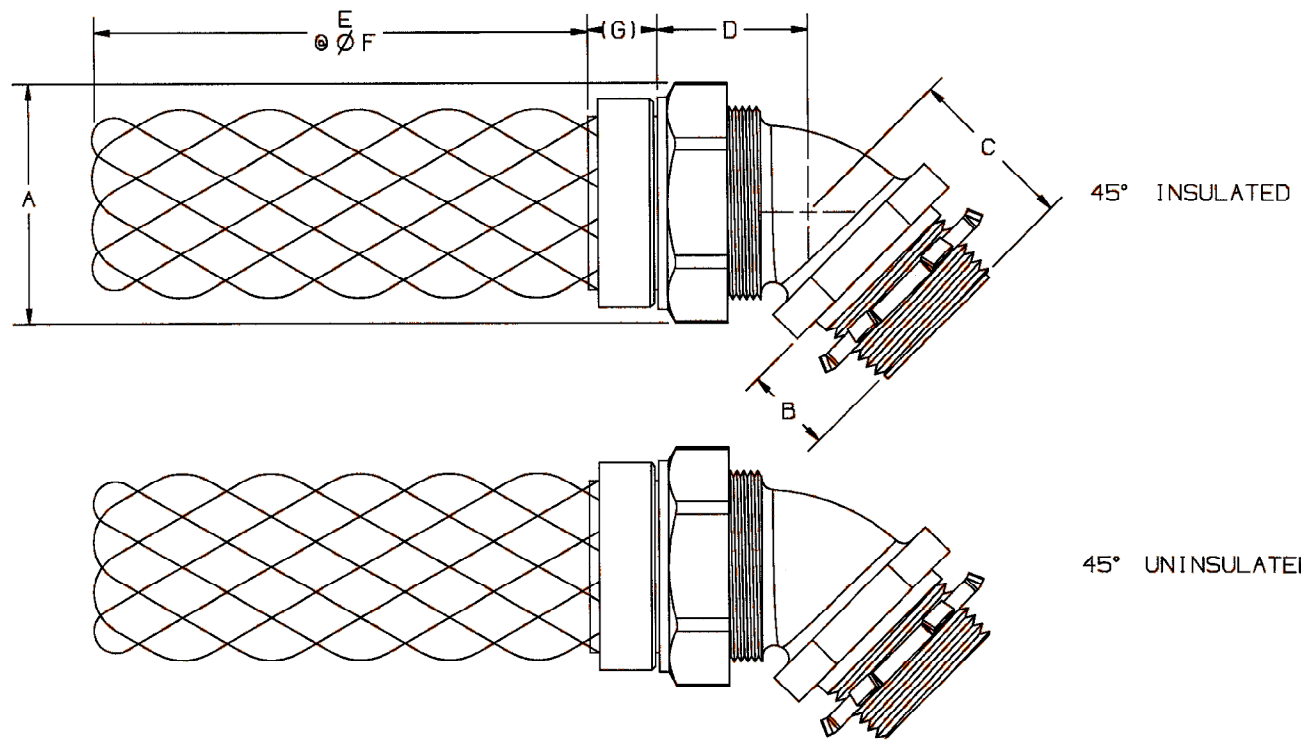


M-10128 1



LIST OF PARTS		
DESCRIPTION	MATERIAL	FINISH
BODY 3/8"-1" T.S.	STEEL	ZINC PLATE
BODY 1-1/4"-4" T.S.	IRON	ZINC PLATE
COMPRESSION NUT:		
3/8"-1" T.S.	STEEL	ZINC PLATE
1-1/4"-4" T.S.	IRON	ZINC PLATE
FERRULE	STEEL	ZINC PLATE
SPLIT SEAL RING	NYLON	YELLOW
SEALING WASHER	NYLON	YELLOW
INSULATOR	NYLON	YELLOW
LOCKNUT	STEEL	ZINC PLATE
GRIP MESH	ST. STEEL	
GRIP INT. SLEEVE	STEEL	ZINC PLATE
GRIP EXT. SLEEVE	ALUM.	

DIMENSION SHEET FOR CAT. NO. M-10128
 REPAIRABLE NON-REPAIRABLE

INSULATED GRIP CAT. NO. *	UNINSULATED GRIP CAT. NO. *	CONDUIT SIZE	METRIC DESIGNATOR	A INCHES ±.015 [mm ±0.4]	B INCHES ±.015 [mm ±0.4]	THREAD SIZE	METRIC DESIGNATOR	C INCHES ±.015 [mm ±0.4]	D INCHES [mm]	LENGTH INCHES [mm]	E TOL. (±) INCHES [mm]	Ø F INCHES [mm]	(F) INCHES [mm]
074083661	074093441	3/8"	12	1.062 [26.988]	.594 [15.081]	1/2"	16	1.188 [30.175]	1.261 [32.537]	3.00 [76.20]	.30 [7.62]	.710 [18.034]	.375 [9.525]
074083662	074093442	1/2"	16	1.188 [30.163]	.594 [15.081]	1/2"	16	1.188 [30.175]	1.261 [32.537]	3.90 [98.00]	.50 [12.70]	.940 [21.330]	.437 [11.100]
074083663	074093443	3/4"	21	1.463 [36.909]	.594 [15.081]	3/4"	21	1.188 [30.175]	1.437 [36.500]	4.00 [101.60]	.40 [10.16]	1.050 [26.670]	.582 [14.275]
074083664	074093444	1"	27	1.719 [43.656]	.656 [16.669]	1"	27	1.375 [34.925]	1.531 [38.987]	5.00 [127.00]	.50 [12.70]	1.315 [33.401]	.625 [15.875]
074083665	074093445	1-1/4"	36	2.187 [55.663]	.625 [15.875]	1-1/4"	36	1.422 [36.110]	1.667 [42.650]	6.00 [152.40]	.60 [15.24]	1.660 [42.164]	.688 [17.475]
074083666	074093446	1-1/2"	41	2.500 [63.500]	.625 [15.875]	1-1/2"	41	1.656 [40.062]	2.000 [50.800]	6.70 [170.18]	.67 [17.02]	1.990 [50.548]	1.125 [28.575]
074083668	074093448	2"	53	3.000 [76.200]	.656 [16.669]	2"	53	1.687 [42.850]	2.250 [57.150]	8.00 [203.20]	.60 [20.32]	2.375 [60.325]	1.250 [31.750]

* FOR USE WITH FLEXIBLE TYPE 'B' METALLIC & NONMETALLIC LIQUID-TIGHT CONDUIT

- A = COMPRESSION NUT FLATS
- B = THREAD LENGTH & THREAD SPEC.
- C = THREAD TO BEND
- D = NUT TO BEND
- E = GRIP LENGTH AT SPECIFIED DIAMETER

CODE 74545

1	RELEASED PER DCN 13131 ABS	6/9/06
SYM	REVISIONS	APP DATE

THE DESIGN AND DIMENSIONS OF THE PRODUCT SHOWN ON THIS DRAWING ARE SUBJECT TO CHANGE WITHOUT NOTICE

TITLE
 45° FLEXIBLE METALLIC CONDUIT GRIPS

TOLERANCES UNLESS OTHERWISE SPECIFIED	WIRING DEVICE-KELLEMS HUBBELL INCORPORATED BRIDGEPORT, CT	
FRACTIONS ± 1/64	DR. BY ABS	APP. BY CJC
DECIMALS ± .005	TR. BY	SCALE NONE
ANGLES ± 2°	CHK'D BY CJC	DATE 6/9/06

M-10128

1