

**Straight Blade Devices**  
**15A, 125V, 2 Pole, 3 Wire Grounding**  
**Hubbell-Pro™ Heavy Duty Duplex Receptacles**

# HUBBELL

**Features**

- Slender/compact design
- Finder Groove Face
- Triple wipe contacts

**Ordering Information**

Description	Device Color	UPC	Catalog Number
Back and side wired	Brown	783585834948	5262B

**Listings**

UL Listed to UL498 File No. E2186  
 Certified to CSA 22.2, No. 42  
 Fed. Spec. W-C-596  
 NEMA® WD-6 Compliant

**Specifications**

Face	Nylon
Base	PBT
Contacts	Brass
Mounting Strap	Galvanized steel
Automatic Self-grounding Staple	Stainless steel
Mounting Screws	Zinc plated steel

**Performance**

**Electrical**

Current Interrupting Certified for current interrupting at full rated current  
 Dielectric Voltage Withstands 2,000V minimum

**Mechanical**

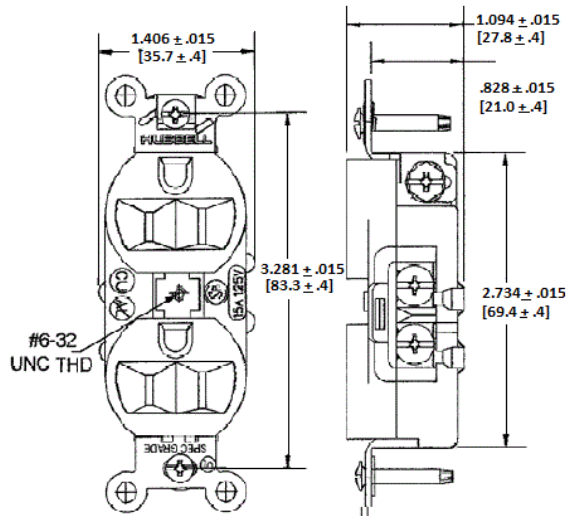
Product Identification Ratings are a permanent part of the device  
 Terminal Accommodation #14-#10 AWG copper stranded or solid conductor only  
 Terminal Identification Terminal wire leads identified in accordance with UL 498

**Environmental**

Flammability UL 94 V-2  
 Operating Temperatures Maximum continuous 75°C; minimum -40°C (w/o impact)



**15A 125V**  
**NEMA 5-15R**  
 UL CSA  
 0.5 HP



**Online Resources**

Customer Use Drawing  
 eCatalog  
 Installation Instructions

**Accessories**

Wallplate or Weatherproof Cover

Duplex Opening

Dimensions in Inches (mm)

Hubbell Wiring Device-Kellems • Hubbell Incorporated (Delaware) • 40 Waterview Drive • Shelton, CT 06484

Phone (800) 288-6000 • Fax (800) 255-1031 • Specifications subject to change without notice.

