

## IEC Pin and Sleeve

### Accessories

## Back Box

# HUBBELL

### Ordering Information

| Description   | UPC          | Catalog Number |
|---|--------------|----------------|
| 15° angle non-metallic Back Box, 60, 63A IEC Pin & Sleeve, 1 1/4" Hub | 783585390024 | BB60N          |

**Color**  
Gray

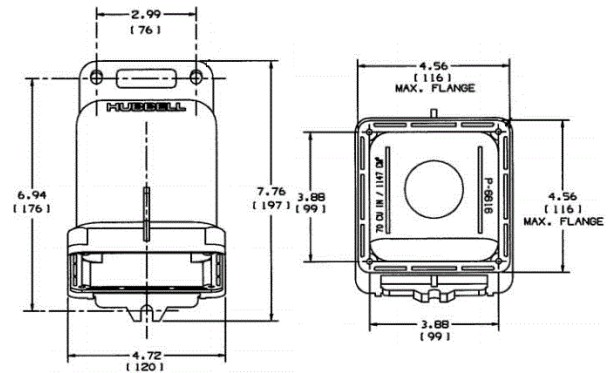


### Standards

UL Raintight and External Icing Test  
CSA Certified  
UL Type 4X

### Specifications

|                                 |                       |
|---------------------------------|-----------------------|
| Accessory Item                  | Non-Metallic Back Box |
| Box Hub Size                    | 1 1/4" NPT            |
| Angle                           | 15 Degree Angle       |
| IEC Pin & Sleeve Accessory Type | 60 and 63A            |
| NEMA Rating                     | NEMA 4X               |



### Performance

#### Environmental

Moisture Resistance IP69K Suitability

### Accessories

Receptacle/Inlet Accommodation **60 and 63A IEC Pin & Sleeve**

### Online Resources

Customer Use Drawing  
eCatalog  
Installation Instructions

Dimensions in Inches (mm)

Hubbell Wiring Device-Kellems • Hubbell Incorporated (Delaware) • 40 Waterview Drive • Shelton, CT 06484

Phone (800) 288-6000 • Fax (800) 255-1031 • Specifications subject to change without notice.

