

## Features

- Box terminal with hex socket threaded slug, permits high clamping pressure on conductors without damaging strands
- Heavy duty two-piece external cord clamp provides maximum strain relief
- Box terminal with hex socket threaded slug, permits high clamping pressure on conductors without damaging strands
- Thermoplastic polyester interior provides heat resistance and impact strength
- Oversized contacts minimize operating temperature



## Ordering Information

Description	Cord Diameter	UPC Number	Catalog Number
Nylon cover, thermoplastic polyester interior	.830"-1.250" (21.08-31.75)	783585828428	<b>CS8164C</b>

## Listings

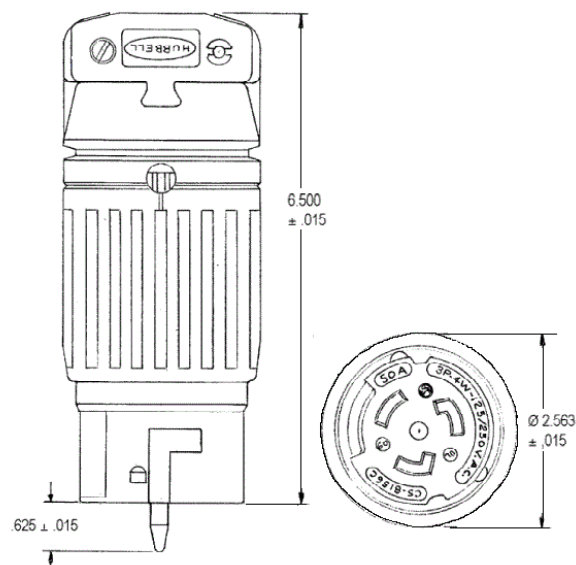
Listed to UL 498  
Certified to CSA C22.2 No.42

## Specifications

Housing	Nylon
Terminal Retainer	Thermoplastic polyester
Contacts	Brass
Terminal Screws	Stainless Steel
Cord Grip	Polyester

## Performance

Electrical	
Current Interrupting	Certified for current interrupting at full rated current
Dielectric Voltage	Withstands 2,000V minimum
Mechanical	
Terminal Accommodation	#8 AWG - #4 AWG stranded copper wire only
Environmental	
Flammability	HB or better
Operating Temperatures	Maximum continuous 75°C; minimum -40°C (w/o impact)



## Complementary Products

Plug	CS8165C
Weatherproof Boot	HBL7717C
Flanged Inlet	CS8175
Weatherproof Boot	HBL7716C

## Online Resources

Customer Use Drawing  
eCatalog  
Installation Instructions