

Kellems® Wire Management Products  
Metallic Liquidtight Conduit Fittings  
Conduit Fitting

# HUBBELL

## Features

- Hexagonal nut compresses gland-ring onto conduit
- Nylon gasket provides liquidtight seal at hub
- Non-integral steel ferrule seals conduit

## Ordering Information

| Description                       | Trade Size | UPC          | Catalog Number |
|-----------------------------------|------------|--------------|----------------|
| 90° Conduit Fitting,<br>Insulated | 1" (27)    | 783585035444 | H10091         |



## Listings

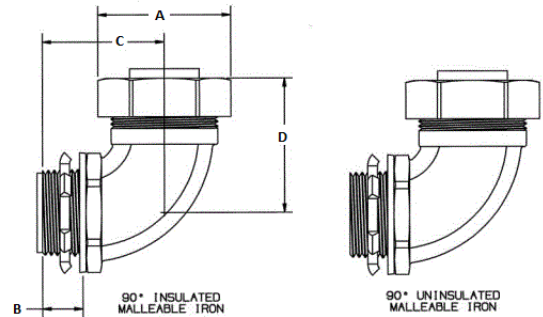
UL Listed  
CSA Certified

## Specifications

|                 |                   |
|-----------------|-------------------|
| Fitting         | Zinc plated iron  |
| Compression Nut | Zinc plated steel |
| Ferrule         | Zinc plated steel |
| Split Seal Ring | Nylon             |
| Washer          | Nylon             |
| Locknut         | Zinc plated steel |
| Insulator       | Nylon             |

## Performance

| Environmental         |                                    |
|-----------------------|------------------------------------|
| Operating Temperature | -60°F to +1000°F (-51°C to +538°C) |



## Online Resources

Customer Use Drawing  
eCatalog  
Installation Instructions

Dimensions in Inches (mm)

Hubbell Wiring Device-Kellems • Hubbell Incorporated (Delaware) • 40 Waterview Drive • Shelton, CT 06484

Phone (800) 288-6000 • Fax (800) 255-1031 • Specifications subject to change without notice.

