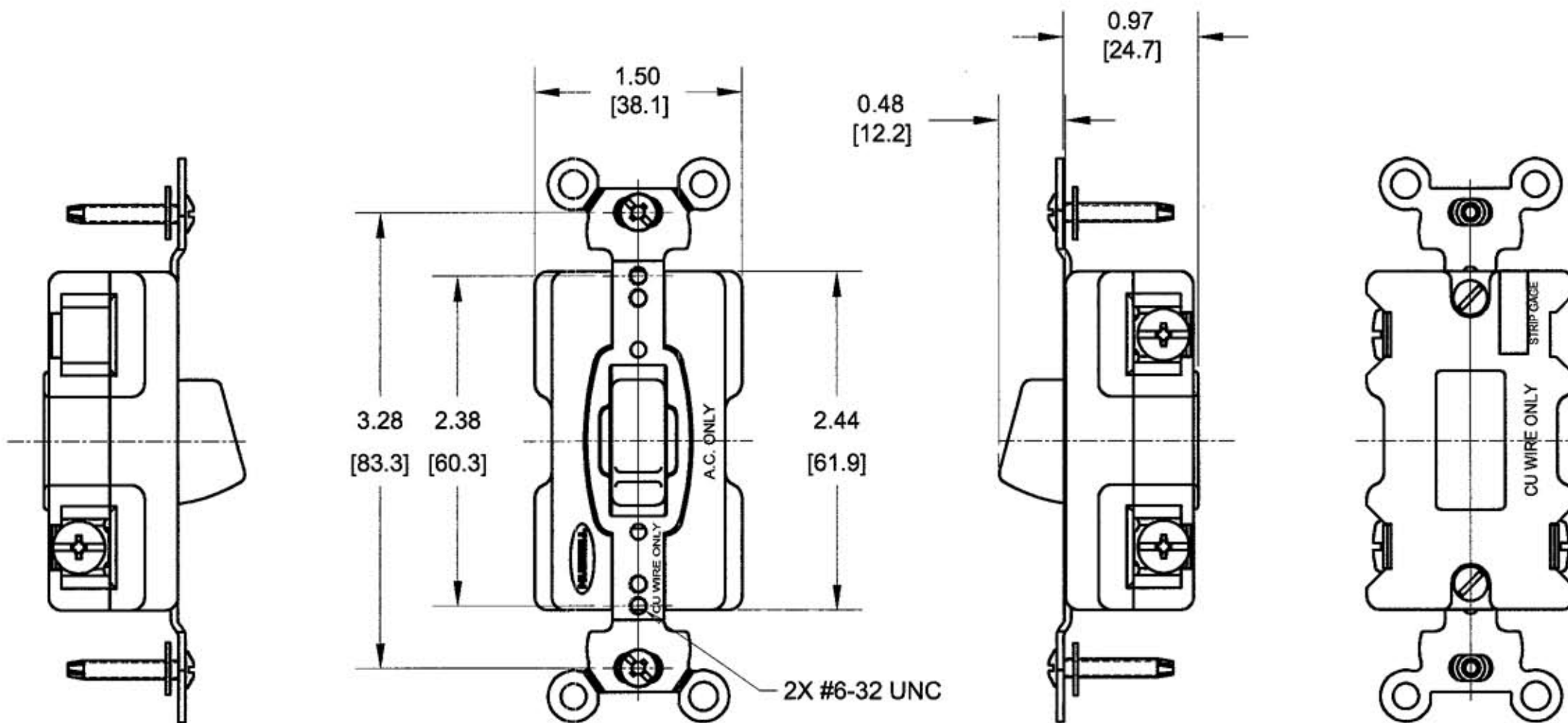


M-3292 4



CATALOG NUMBER	TOGGLE COLOR	RATING/TYPE
HBL1281	BROWN	20A 120-277VAC S.P.
HBL1281I	IVORY	20A 120-277VAC S.P.
HBL1282	BROWN	20A 120-277VAC S.P.
HBL1282I	IVORY	20A 120-277VAC S.P.
HBL1283	BROWN	20A 120-277VAC 3W
HBL1283I	IVORY	20A 120-277VAC 3W
HBL1284	BROWN	20A 120-277VAC 4W
HBL1284I	IVORY	20A 120-277VAC 4W
HBL1287I	IVORY	20A 120VAC PILOT S.P.
HBL1288I	IVORY	20A 120VAC PILOT 3W
HBL1259I	IVORY	20A 120VAC PILOT 4W
HBL1297	RED	20A 120VAC PILOT SP
HBL1298	RED	20A 120VAC PILOT 3W
HBL1281MC	BROWN	20A 120VAC MOMENTARY S.P.
HBL1281MO	BROWN	20A 120VAC MOMENTARY S.P.

NOTES: (UNLESS OTHERWISE SPECIFIED):

1) DIMENSIONS ARE: INCHES  
[MM]

2) XX TOLERANCE TO BE ±.03 [0.76]

LIST OF PARTS

DESCRIPTION	MATERIAL	FINISH
FRONT COVER	POLYESTER	
HOUSING	POLYESTER	
HANDLE	NYLON	
CROSSOVER TERMINAL	BRASS	
MOVABLE TERMINAL	BRASS	
COMBO HEAD SCREWS	BRASS	BRIGHT DIP
COMBO HEAD SCREWS	BRASS	BLACK OXIDE
ASSEMBLY SCREWS	STEEL	ZINC PLATE
BRIDGE	C.R.S.	BLUE CHROMATE
MOUNTING SCREWS	STEEL	ZINC PLATE
WASHERS	FIBER	RED

4 REDRAWN ON CAD ON UPDATED FORMAT. ADDED PARTS TO LIST OF PARTS, MOUNTING SCREWS TO VIEW, NOTES 1 & 2, "SEE TABLE", DUAL DIM.'S, "HBL" TO CAT. NO.'S, "TOGGLE COLOR" COLUMN TO TABLE, ALL IVORY CAT. NO.'S, AND CAT. NO.'S HBL1298, HBL1281MC & HBL1281MO. REMOVED CALL-OUTS "THRU CONNECTION (FOR CAT. NO. 1251 ONLY)" AND "SEE TABLE FOR RATING". REMOVED ALL 15A CAT. NO.'S PLUS 1287-I-277, 1288-I-277, & 1297-277. COMBO SLOT SCREWS WERE STRAIGHT BLADE. .48[12.2] DIM. WAS 7/16. UPDATED MARKINGS ON FRONT COVER, HOUSING, & BRIDGE. SUPERSEDES DRAWING DATED 8/19/57 PER DCN # 13355. JMN

DJP 11/6/06

SYM	REVISIONS	APP	DATE

THE DESIGN AND DIMENSIONS OF THE PRODUCT SHOWN ON THIS DRAWING ARE SUBJECT TO CHANGE WITHOUT NOTICE

TITLE  
DIMENSION SHEET  
FOR PRESSWITCH

TOLERANCES UNLESS OTHERWISE SPECIFIED	WIRING DEVICE-KELLEMS HUBBELL INCORPORATED BRIDGEPORT, CT	
FRACTIONS ±1/64	DR. BY VFL	APP. BY DJP
DECIMALS ±.005	TR. BY JMN	SCALE FULL
ANGLES ±2°	CHK'D BY DJP	DATE 11/6/06