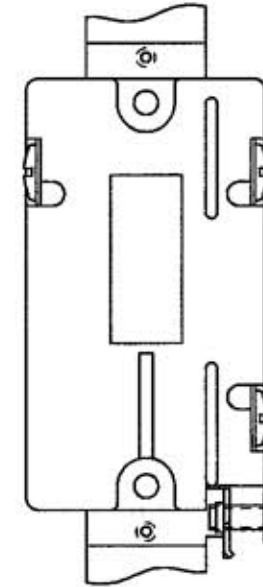
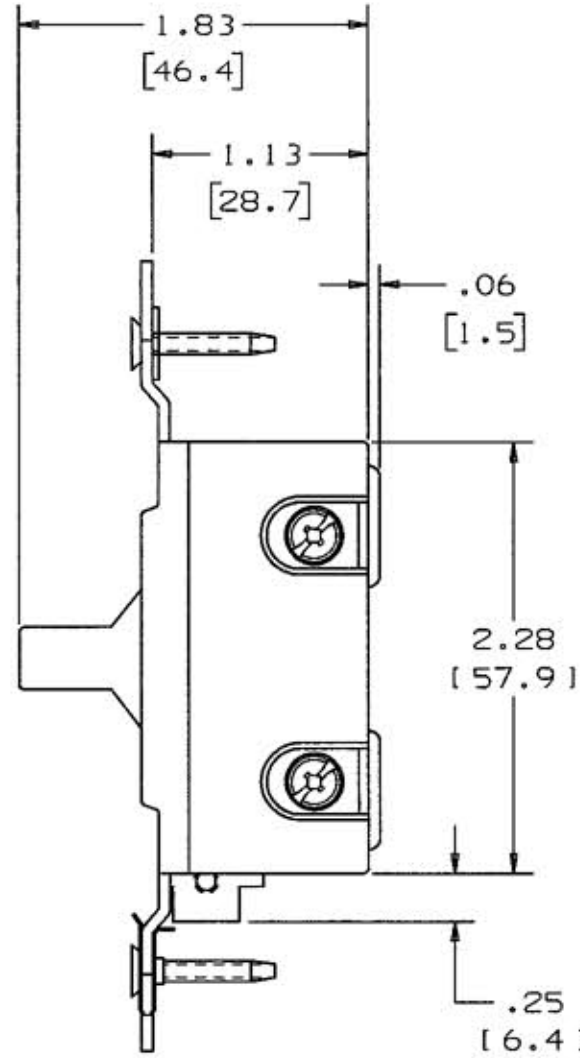
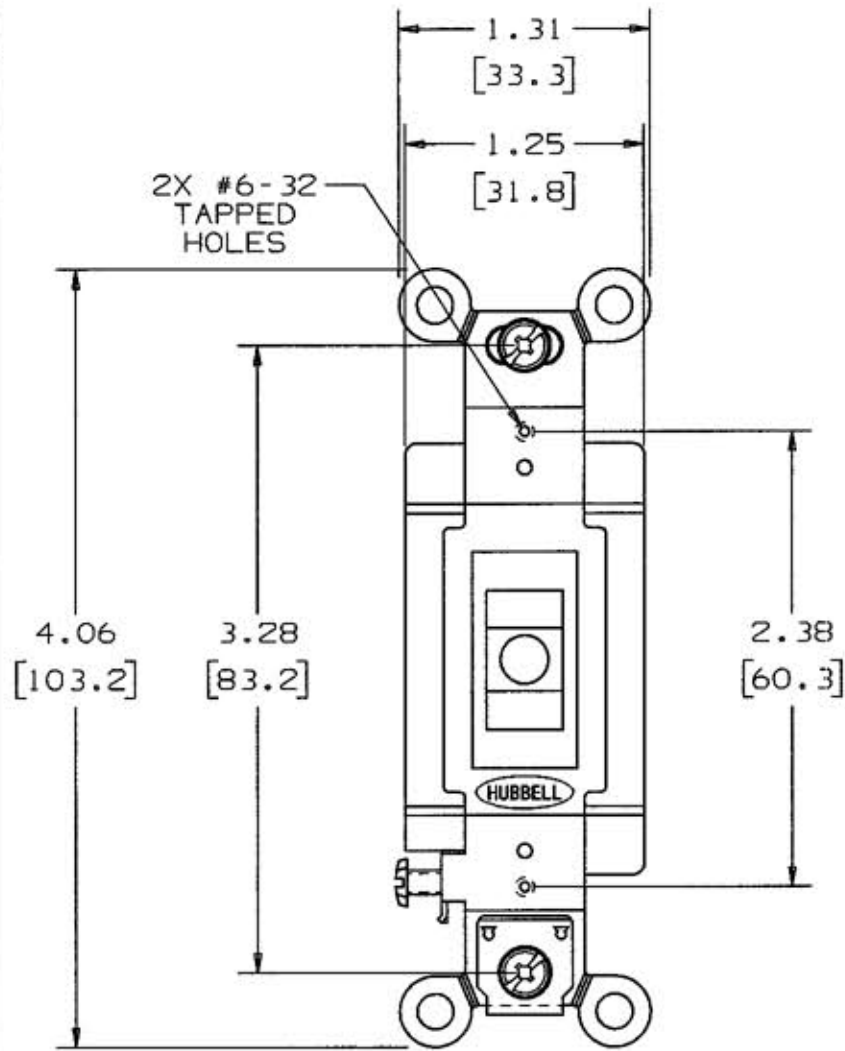


M-7161 2



CATALOG NO.	TOGGLE COLOR	AMPERAGE/VOLTAGE RATING
HBL1381	BROWN	15A 120-277VAC
HBL1381I	IVORY	15A 120-277VAC
HBL1385	BROWN	20A 120-277VAC
HBL1385I	IVORY	20A 120-277VAC
HBL1385W	WHITE	20A 120-277VAC

NOTES: (UNLESS OTHERWISE SPECIFIED)

- 1) DIMENSIONS ARE: INCHES [MM]
- 2) XX TOLERANCE TO BE $\pm .03$ [0.76]

LIST OF PARTS

DESCRIPTION	MATERIAL	FINISH
HOUSING	UREA	
COVER	UREA	
TOGGLE	NYLON	
STATIONARY TERMINAL	.031 BRASS	
SPRING ARM TERMINAL	.031 BRASS	
WIRE CLAMP	.062 STEEL	TIN PLATE
BRIDGE	.050 STEEL	NICKEL PLATE
CONTACTS	SILVER/CADMIUM OXIDE	
BINDING SCREWS	BRASS	
MOUNTING SCREWS	STEEL	ZINC PLATE

DIMENSION SHEET FOR CAT. NO. SEE TABLE

REPAIRABLE NON-REPAIRABLE

B

M-7161

2

2	ADDED NOTES 1 & 2 AND DUAL DIMENSIONING. ADDED CAT. NO. HBL1385W TO TABLE. DECIMAL DIMENSIONS WERE FRACTIONAL; TRI-DRIVE SCREWS WERE SLOTTED PER DCN #13355. JMN	DJP	12/5/06
1	"X" REMOVED; LAST X-REVISION WAS X-0 PER DCN # 2123. JMN	CJC	8/26/93
SYM	REVISIONS	APP	DATE

THE DESIGN AND DIMENSIONS OF THE PRODUCT SHOWN ON THIS DRAWING ARE SUBJECT TO CHANGE WITHOUT NOTICE

TITLE
FLUSH A.C. TOGGLE SWITCH
SINGLE POLE-DOUBLE THROW
CENTER OFF

TOLERANCES UNLESS OTHERWISE SPECIFIED	WIRING DEVICE-KELLEMS HUBBELL INCORPORATED BRIDGEPORT, CT		
FRACTIONS $\pm 1/64$	DR. BY JMN	APP. BY CJC	
DECIMALS $\pm .005$	TR. BY	SCALE \rightarrow	
ANGLES $\pm 2^\circ$	CHK'D BY DJP	DATE 8/26/93	