

Twist-Lock® Devices
 15A, 125V, 2 Pole, 3 Wire Grounding
 Elastogrip® Plug

HUBBELL

Features

- Integral weatherproofing shroud seals connection between plug and connector
- Nylon compression nut keeps water and dust from getting into the body around the cord



Ordering Information

Description	Cord Diameter	UPC	Catalog Number
Elastogrip® plug, yellow elastomer, dust tight	.300"-.655" (7.6-16.6)	783585235806	HBL2447

Listings

Listed to UL 498
 Fed.Spec. W-C-596
 Certified to CSA C22.2 No.42

Specifications

Terminal Retainer	Clear polycarbonate
Cord Clamp	Nylon
Blades	Brass
Terminal Screws	Brass
Cord Clamp Screws	Steel, zinc plated
Assembly Screws	Steel, zinc plated

Performance

Electrical

Current Interrupting Certified for current interrupting at full rated current
 Dielectric Voltage Withstands 2,000V minimum

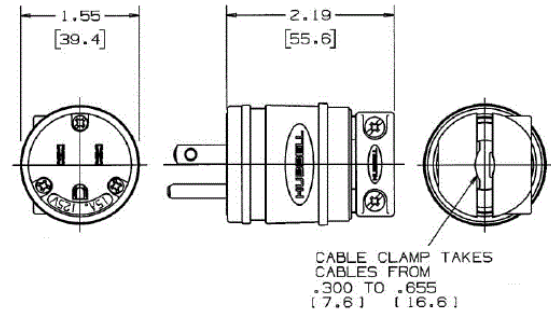
Mechanical

Terminal Accommodation #18 AWG- #10 AWG stranded copper wire only.

Terminal Identification Terminals identified in accordance with UL 498

Environmental

Flammability HB or better per UL94/CSA 22.2 No.0.17
 Moisture Resistance IP20 Suitability
 Operating Temperatures Maximum Continuous 75°C; Minimum -40°C (w/o impact)



Accessories

Connector HBL2547

Resources

Customer Use Drawing
 eCatalog

Dimensions in Inches (mm)

Hubbell Wiring Device-Kellems • Hubbell Incorporated (Delaware) • 40 Waterview Drive • Shelton, CT 06484

Phone (800) 288-6000 • Fax (800) 255-1031 • Specifications subject to change without notice.

