

Pin and Sleeve

30A, 600/250V AC/DC, 3 Pole, 4 Wire

Insulgrip® Mechanical Interlocks

Features

- Spring-loaded receptacle liftcover with gasket
- High visibility red handle can be locked in the OFF position

Ordering Information

Description	UPC	Catalog Number
Fused, Insulgrip, Mechanical Interlocks	783585514888	HBL430MIFS2W

Device Color
Gray

Standards

UL Listed for US and Canada

Specifications

Base, Door and Handle	Valox®
Enclosure Gasket	Neoprene
Shaft	Brass
Ground Plate	Galvanized Steel
Enclosure Screws	Stainless Steel
Hinge Pin	Nickel-Plated Brass

Performance

Electrical

Current Interrupting	Certified for current interrupting at full rated current and voltage
Dielectric Voltage	Withstands 3,000VAC Min.
Max. Working Voltage	250VDC/600VAC
Operations	Mechanical 10,000 cycles minimum

Mechanical

Impact Resistance	In accordance with UL 746C
Mounting	External adjustable feet
Product Identification	Ratings are part of the external label and molded into the receptacle housing
Terminal Identification	In accordance with UL, CSA and international conventions

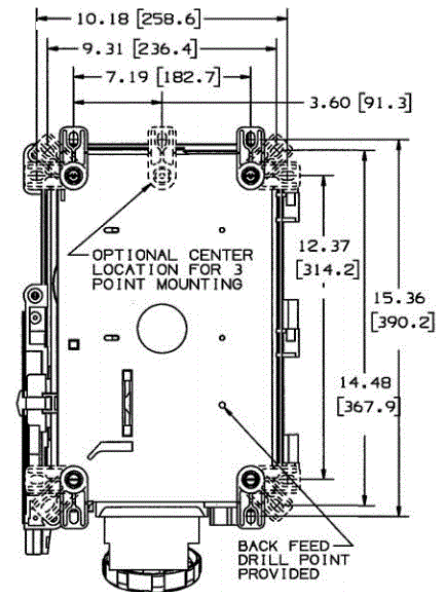
Environmental

Flammability	UL94-5VA and V-0 Classification
Ingress Protection	IP66 Suitability
Operating Temperatures	Max. Continuous +60°C; Min. Continuous -40°C w/o impact

Online Resources

Customer Use Drawing
eCatalog
Installation Instructions

HUBBELL



Dimensions in Inches (mm)

Hubbell Wiring Device-Kellems • Hubbell Incorporated (Delaware) • 40 Waterview Drive • Shelton, CT 06484

Phone (800) 288-6000 • Fax (800) 255-1031 • Specifications subject to change without notice.

