

DIMENSION SHEET FOR CAT. NO. M-9577

REPAIRABLE

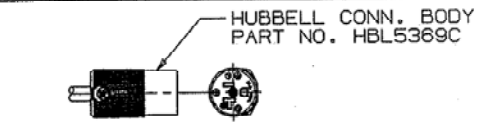
NON-REPAIRABLE

B

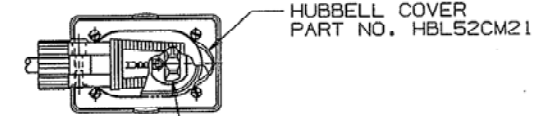
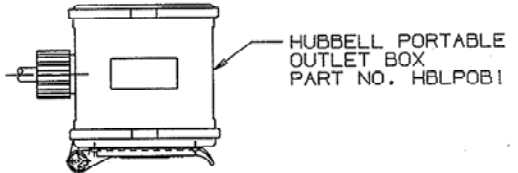
M-9577

4

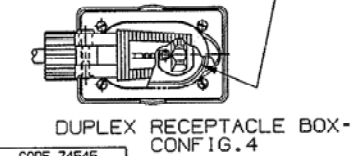
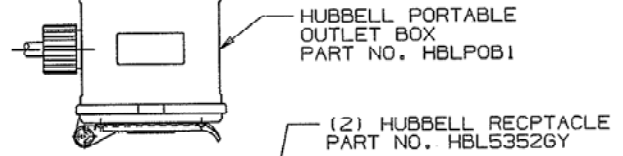
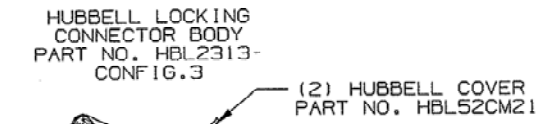
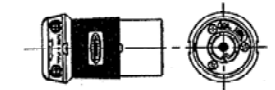
M-9577 4



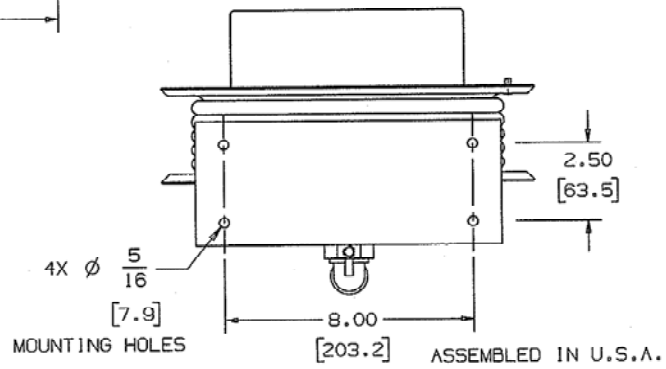
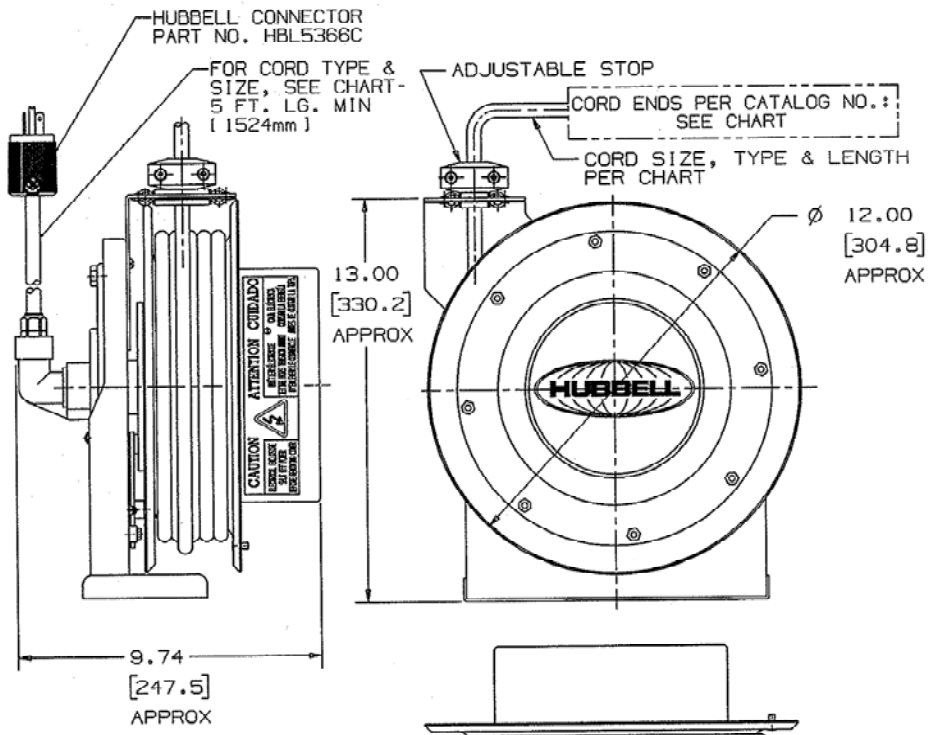
CONNECTOR BODY - CONFIG. 1



DUPLEX RECEPTACLE BOX -
CONFIG. 2



CODE 74545



CATALOG NUMBER	APPROX. WEIGHT	DESCRIPTION	CONFIG.	CORD TYPE	CORD LENGTH
HBL45123C20	25 LB/11.3 KG	SINGLE CONNECTOR	1	12/3 SJO	45 FT./13 M.
HBL45123R20	27 LB/12.2 KG	DUPLEX RECEPTACLE BOX	2	12/3 SJO	45 FT./13 M.
HBL45123R20W	27 LB/12.2 KG	DUPLEX RECEPTACLE BOX	2	12/3 SJO	45 FT./13 M.
HBL45123TL20	25 LB/11.3 KG	SINGLE CONNECTOR	3	12/3 SJO	45 FT./13 M.
HBL45123TL20W	25 LB/11.3 KG	SINGLE CONNECTOR	3	12/3 SJO	45 FT./13 M.
HBL45123R220	27 LB/12.2 KG	(2) DUPLEX RECEPT. BOX	4	12/3 SJO	45 FT./13 M.

LIST OF PARTS

DESCRIPTION	MATERIAL	FINISH
INTERNAL CIRCUITRY PARTS	COPPER ALLOY	
COLLECTOR COVER	STEEL	BLACK
REEL BASE & SHEAVE	STEEL	YELLOW *
CORD STOP	RUBBER	BLACK
CONNECTOR BODY (CONFIG.1)	NYLON	BLACK/NATURAL
OUTLET BOX (CONFIG.2)	PLASTIC	YELLOW
CONNECTOR BODY (CONFIG.3)	NYLON	BLACK/NATURAL
BLANK COVER (CONFIG.2)	PLASTIC	GREY
LIFT COVER (CONFIG.2)	PLASTIC	YELLOW

* ALL CATALOGS HAVE YELLOW BASE & SHEAVE EXCEPT HBL45123TL20W & HBL45123R20W WHICH HAVE WHITE BASE & SHEAVE.

REV	DESCRIPTION	APP	DATE
4	ADDED HBL45123R220 TO TABLE; ADDED CONFIG. 4 VIEW PER DCN 17222 RCM	DJP	10/29/10
3	REVISED TABLE; REVISED VIEWS TO AGREE WITH NEW DESIGN; "STEEL" WAS "ABS" FOR COLLECTOR COVER IN LIST OF PARTS PER DCN 15781 RCM	CJC	6/18/09
2	ADDED CAT. HBL45123R20W. ADDED HBL45123R20W TO COLOR EXCEPTION NOTE PER DCN 15540 SPN	CJC	2/18/09
1	RELEASED FOR PRODUCTION PER DCN 12195 JMN	CJC	3/11/05

THE DESIGN AND DIMENSIONS OF THE PRODUCT SHOWN ON THIS DRAWING ARE SUBJECT TO CHANGE WITHOUT NOTICE

TITLE	
INDUSTRIAL CORD REEL	
TOLERANCES UNLESS OTHERWISE SPECIFIED	WIRING DEVICE-KELLEMS HUBBELL INCORPORATED BRIDGEPORT, CT
FRACTIONS ±1/64	DR. BY JMN APP. BY CJC
DECIMALS ±.005	TR. BY SCALE 1:4
ANGLES ±2°	CHK'D BY CJC DATE 3/8/05